

FARMALL® 85C
FARMALL® 95C
FARMALL® 105C
FARMALL® 115C
With Hi-Lo Transmission
With Mechanical or Power Shuttle Transmission
Tractor

With Hi-Lo Transmission PIN ZxJV0xxxx and above
With Mechanical or Power Shuttle Transmission PIN ZxJV5xxxx and above

SERVICE MANUAL

Part number 47840678

English

March 2015

Replaces part number 47561951





SERVICE MANUAL

Farmall® 105C less cab, with hi-lo transmission [ZxJV0xxxx] , Farmall® 105C less cab, with mechanical or power shuttle transmission [ZxJV5xxxx] , Farmall® 105C with cab, with hi-lo transmission [ZxJV0xxxx] , Farmall® 105C with cab, with mechanical or power shuttle transmission [ZxJV5xxxx] , Farmall® 115C less cab, with hi-lo transmission [ZxJV0xxxx] , Farmall® 115C less cab, with mechanical or power shuttle transmission [ZxJV5xxxx] , Farmall® 115C with cab, with hi-lo transmission [ZxJV0xxxx] , Farmall® 115C with cab, with mechanical or power shuttle transmission [ZxJV5xxxx] , Farmall® 85C less cab, with hi-lo transmission [ZxJV0xxxx] , Farmall® 85C less cab, with mechanical or power shuttle transmission [ZxJV5xxxx] , Farmall® 85C with cab, with hi-lo transmission [ZxJV0xxxx] , Farmall® 85C with cab, with mechanical or power shuttle transmission [ZxJV5xxxx] , Farmall® 95C less cab, with hi-lo transmission [ZxJV0xxxx] , Farmall® 95C less cab, with mechanical or power shuttle transmission [ZxJV5xxxx] , Farmall® 95C with cab, with hi-lo transmission [ZxJV0xxxx] , Farmall® 95C with cab, with mechanical or power shuttle transmission [ZxJV5xxxx]

Link Product / Engine

Product	Market Product	Engine
Farmall® 105C less cab, with mechanical or power shuttle transmission [ZxJV5xxxx]	North America	F5DFL413J*A002
Farmall® 105C with cab, with mechanical or power shuttle transmission [ZxJV5xxxx]	North America	F5DFL413J*A002
Farmall® 105C less cab, with hi-lo transmission [ZxJV0xxxx]	North America	F5DFL413A*A001
Farmall® 105C with cab, with hi-lo transmission [ZxJV0xxxx]	North America	F5DFL413A*A001
Farmall® 85C less cab, with mechanical or power shuttle transmission [ZxJV5xxxx]	North America	F5DFL413L*A002
Farmall® 85C with cab, with mechanical or power shuttle transmission [ZxJV5xxxx]	North America	F5DFL413L*A002
Farmall® 85C less cab, with hi-lo transmission [ZxJV0xxxx]	North America	F5DFL413J*A001
Farmall® 85C with cab, with hi-lo transmission [ZxJV0xxxx]	North America	F5DFL413J*A001
Farmall® 95C less cab, with mechanical or power shuttle transmission [ZxJV5xxxx]	North America	F5DFL413K*A002
Farmall® 95C with cab, with mechanical or power shuttle transmission [ZxJV5xxxx]	North America	F5DFL413K*A002
Farmall® 95C less cab, with hi-lo transmission [ZxJV0xxxx]	North America	F5DFL413K*A001
Farmall® 95C with cab, with hi-lo transmission [ZxJV0xxxx]	North America	F5DFL413K*A001

<https://www.ebooklibonline.com>

Hello dear friend!

Thank you very much for reading.

Enter the link into your browser.

The full manual is available for immediate download.

<https://www.ebooklibonline.com>

Contents

INTRODUCTION

Engine.....	10
[10.001] Engine and crankcase	10.1
[10.216] Fuel tanks	10.2
[10.501] Exhaust Gas Recirculation (EGR) - Diesel Particulate Filter (DPF) exhaust treatment	10.3
[10.400] Engine cooling system	10.4
[10.414] Fan and drive	10.5
[10.310] Aftercooler.....	10.6
Clutch	18
[18.100] Clutch mechanical release control	18.1
[18.104] Clutch hydraulic release control.....	18.2
[18.110] Clutch and components	18.3
Transmission.....	21
[21.130] Mechanical transmission external controls.....	21.1
[21.112] Power shuttle transmission.....	21.2
[21.110] Master clutch housing	21.3
[21.134] Power shuttle transmission external controls	21.4
[21.154] Power shuttle transmission internal components	21.5
[21.160] Creeper	21.6
[21.162] Reverser	21.7
[21.168] Hi-Lo unit.....	21.8
[21.109] Transmission cooler and lines.....	21.9
[21.118] Transmission/Rear drive	21.10
[21.148] Transmission/Rear drive internal components	21.11
[21.AAA] Transmission generic sub-group	21.12
Four-Wheel Drive (4WD) system	23

[23.101] Mechanical control	23.1
[23.202] Electro-hydraulic control	23.2
[23.314] Drive shaft.....	23.3
Front axle system	25
[25.100] Powered front axle	25.1
[25.102] Front bevel gear set and differential	25.2
[25.108] Final drive hub, steering knuckles, and shafts	25.3
[25.400] Non-powered front axle	25.4
Rear axle system.....	27
[27.106] Rear bevel gear set and differential.....	27.1
[27.120] Planetary and final drives	27.2
[27.100] Powered rear axle.....	27.3
Power Take-Off (PTO).....	31
[31.101] Rear mechanical control	31.1
[31.104] Rear electro-hydraulic control.....	31.2
[31.110] One-speed rear Power Take-Off (PTO)	31.3
[31.114] Two-speed rear Power Take-Off (PTO)	31.4
[31.146] Front Power Take-Off (PTO)	31.5
Brakes and controls	33
[33.202] Hydraulic service brakes	33.1
[33.110] Parking brake or parking lock	33.2
Hydraulic systems.....	35
[35.000] Hydraulic systems.....	35.1
[35.104] Fixed displacement pump.....	35.2
[35.160] Front hitch controls and lines	35.3
[35.204] Remote control valves	35.4
[35.114] Three-point hitch control valve	35.5
[35.116] Three-point hitch cylinder	35.6

[35.701] Front loader arm hydraulic system	35.7
[35.723] Front loader bucket hydraulic system	35.8
Hitches, drawbars, and implement couplings.....	37
[37.100] Drawbars and towing hitches	37.1
[37.110] Rear three-point hitch	37.2
[37.120] Rear three-point hitch linkage.....	37.3
[37.162] Front hitch.....	37.4
[37.166] Front hitch linkage.....	37.5
Steering.....	41
[41.101] Steering control	41.1
[41.106] Tie rods.....	41.2
[41.200] Hydraulic control components.....	41.3
[41.206] Pump	41.4
[41.216] Cylinders	41.5
Wheels.....	44
[44.511] Front wheels.....	44.1
[44.520] Rear wheels	44.2
Cab climate control.....	50
[50.100] Heating	50.1
[50.104] Ventilation	50.2
[50.200] Air conditioning.....	50.3
Electrical systems.....	55
[55.100] Harnesses and connectors.....	55.1
[55.201] Engine starting system	55.2
[55.301] Alternator.....	55.3
[55.302] Battery.....	55.4
[55.640] Electronic modules	55.5
[55.048] Rear Power Take-Off (PTO) control system	55.6

[55.408] Warning indicators, alarms, and instruments	55.7
[55.DTC] FAULT CODES.....	55.8
Front loader and bucket.....	82
[82.100] Arm.....	82.1
[82.300] Bucket.....	82.2
[82.AAA] Front loader and bucket generic sub-group	82.3
Platform, cab, bodywork, and decals	90
[90.150] Cab.....	90.1
[90.151] Cab interior.....	90.2
[90.160] Cab interior trim and panels.....	90.3
[90.154] Cab doors and hatches	90.4
[90.110] Operator platform less cab	90.5
[90.100] Engine hood and panels	90.6
[90.102] Engine shields, hood latches, and trims	90.7



INTRODUCTION

Safety rules SAFETY REGULATIONS

TO PREVENT ACCIDENTS

Most accidents or injuries that occur in workshops are the result of non-observance of simple and fundamental safety regulations.

For this reason, IN MOST CASES THESE ACCIDENTS CAN BE AVOIDED: by foreseeing possible causes and consequently acting with the necessary caution and care.

Accidents may occur with all types of vehicle, regardless of how well it was designed and built.

A careful and judicious service technician is the best guarantee against accidents.

Precise observance of the most basic safety rule is normally sufficient to avoid many serious accidents.

DANGER: Never carry out any cleaning, lubrication or maintenance operations when the engine is running.

GENERAL

- Carefully follow specified repair and maintenance procedures.
- Do not wear rings, wristwatches, jewellery, unbuttoned or loose articles of clothing such as: ties, torn clothing, scarves, open jackets or shirts with open zips that may remain entangled in moving parts.
It is advised to wear approved safety clothing, e.g: non-slip footwear, gloves, safety goggles, helmets, etc.
- Do not carry out repair operations with someone sitting in the driver's seat, unless the person is a trained technician who is assisting with the operation in question.
- Operate the vehicle and use the implements exclusively from the driver's seat.
- Do not carry out operations on the vehicle with the engine running, unless specifically indicated.
- Stop the engine and ensure that all pressure is relieved from hydraulic circuits before removing caps, covers, valves, etc.
- All repair and maintenance operations must be carried out using extreme care and attention.
- Service steps and platforms used in a workshop or in the field should be built in compliance with the safety rules in force.
- Disconnect the batteries and label all controls to indicate that the vehicle is being serviced. Block the machine and all equipment which should be raised.
- Do not check or fill fuel tanks, accumulator batteries, nor use starting liquid when smoking or near naked flames, as these fluids are inflammable.
- Brakes are inoperative if manually released for repair or maintenance purposes.
In such cases, the machine should be kept constantly under control using blocks or similar devices.
- The fuel nozzle should always be in contact with the filling aperture. Maintain this position until filling operations are completed in order to avoid possible sparks caused by the accumulation of static electricity.
- Only use specified towing points for towing the tractor, connect parts carefully. Make sure that all pins and/or locks are secured in position before applying traction.
Never remain near the towing bars, cables or chains that are operating under load
- Transport vehicles that cannot be driven using a trailer or a low-loading platform trolley, if available.
- When loading or unloading the vehicle from the trailer (or other means of transport), select a flat area capable of sustaining the trailer or truck wheels, firmly secure the tractor to the truck or trailer and lock the wheels in the position.
- Electric heaters, battery-chargers and similar equipment must only be powered by auxiliary power supplies with efficient ground insulation to avoid electrical shock hazards.
- Always use suitable hoisting or lifting devices when raising or moving heavy parts.
- Take extra care if bystanders are present.
- Never pour gasoline or diesel oil into open, wide and low containers.
- Never use gasoline, diesel oil or other inflammable liquids as cleaning agents. Use non-flammable non-toxic proprietary solvents.
- Wear safety goggles with side guards when cleaning parts with compressed air.
- Limit the air pressure to a maximum of **2.1 bar (30.5 psi)**, according to local regulations.

INTRODUCTION

- Do not run the engine in confined spaces without suitable ventilation.
- Do not smoke, use naked flames, or cause sparks in the area when fuel filling or handling highly inflammable liquids.
- Never use naked flames for lighting when working on the machine or checking for leaks.
- All movements must be carried out carefully when working under, on or near the vehicle and wear protective equipment: helmets, goggles and special footwear.
- When carrying out checks with the engine running, request the assistance of an operator in the driver's seat. The operator must maintain visual contact with the service technician at all times.
- If operating outside the workshop, position the vehicle on a flat surface and lock in position. If working on a slope, lock the vehicle in position and move to a flat area as soon as is safely possible.
- Damaged or bent chains or cables are unreliable. Do not use them for lifting or towing. Always use suitable protective gloves when handling chains or cables.
- Chains should always be safely secured. Ensure that fastening device is strong enough to hold the load foreseen. No persons should stop near the fastening point, trailing chains or cables.
- Maintenance and repair operations must be carried out in a CLEAN and DRY area, eliminate any water or oil spillage immediately.
- Do not create piles of oil or grease--soaked rags as they represent a serious fire hazard; store them in a closed metal container.
Before starting the vehicle or implements, make sure that the driver's seat is locked in position and always check that the area is free of persons or obstacles.
- Empty pockets of all objects that may fall unobserved into the vehicle parts when disassembled.
- In the presence of protruding metal parts, use protective goggles or goggles with side guards, helmets, special footwear and gloves.
- Handle all parts carefully, do not put your hands or fingers between moving parts, wear suitable safety clothing -- safety goggles, gloves and shoes.

WELDING OPERATIONS

- When welding, use protective safety devices: tinted safety goggles, helmets, special overalls, gloves and footwear. All persons present in the area where welding is taking place must wear tinted goggles.
NEVER LOOK AT THE WELDING ARC IF YOUR EYES ARE NOT SUITABLY PROTECTED.
- Where possible, remove the part or tool that requires arc welding from the tractor.
- Disconnect both battery leads. Isolate the cable ends to avoid contact with each other and the tractor.
- Position the welder ground clamp as near as possible to the area where welding is taking place.
- Remove the electronic control units located on the tractor if welding is to be carried out near these control units.
- Never allow welding cables to lay on, near or across any electrical wiring or electronic component while welding is in progress.
- Metal cables tend to fray with repeated use. Always use suitable protective devices (gloves, goggles, etc.) when handling cables.

START UP

- Never start the engine in confined spaces that are not equipped with adequate ventilation for exhaust gas extraction.
- Never place the head, body, limbs, feet, hands or fingers near fans or rotating belts.

ENGINE

- Always loosen the radiator cap slowly before removing it to allow any remaining pressure in the system to be discharged. Coolant should be topped up only when the engine is stopped or idle if hot.
- Never fill up with fuel when the engine is running, especially if hot, in order to prevent the outbreak of fire as a result of fuel spillage
- Never check or adjust fan belt tension when the engine is running.
Never adjust the fuel injection pump when the vehicle is moving.

- Never lubricate the vehicle when the engine is running.

ELECTRICAL SYSTEMS

- If it is necessary to use auxiliary batteries, remember that both ends of the cables must be connected as follows: (+) with (+) and (-) with (-).
- Avoid short-circuiting the terminals. **GAS RELEASED FROM BATTERIES IS HIGHLY INFLAMMABLE.**
- During charging, leave the battery compartment uncovered to improve ventilation.
- Never check the battery charge using "jumpers" (metal objects placed on the terminals).
- Avoid sparks or flames near the battery zone to prevent explosion hazards.
- Before servicing operations, check for fuel or current leaks. Eliminate any eventual leaks before starting work.
- Never charge batteries in confined spaces. Make sure that there is adequate ventilation in order to prevent accidental explosion hazards as a result of the accumulation of gases released during charging operations.
- Always disconnect the battery before performing any kind of servicing on the electrical system.

HYDRAULIC SYSTEMS

- Some fluid slowly coming out from a very small port can be almost invisible and be strong enough to penetrate the skin. Check for leaks using a piece of cardboard, **NEVER USE HANDS.**
- If any liquid penetrates skin tissue, call for medical aid immediately
- Serious skin infections may result if medical attention is not given.
- Use the specific tools when checking pressure values on the hydraulic system.

WHEELS AND TYRES

- Check that the tyres are correctly inflated at the pressure specified by the manufacturer. Periodically check possible damages to the rims and tyres.
- Stand away from (at the side of) the tire when checking inflation pressure.
- Only check pressure when the vehicle is unloaded and the tires are cold, to avoid incorrect readings as a result of over--pressure.
- Do not re--use parts of recovered wheels as incorrect welding or brazing may heat the material, causing it to weaken and eventually damage or break the wheel.
- Never cut, nor weld a rim with the inflated tyre assembled.
- When removing the wheels, lock both the front and rear vehicle wheels.
- Always position support stands when raising the vehicle, in order to conform to current safety regulations.
- Deflate the tyre before removing any object caught into the tyre tread.
- Never inflate tires using inflammable gases; this could cause an explosion and put operator safety at risk.

REMOVAL AND RE-FITTING

- Lift and handle all heavy parts using suitable lifting equipment and make sure that all slings and hooks are correctly secured.
- Handle all parts carefully during lifting operations, keep an eye on the personnel working near the load to be lifted. Never insert hands or fingers between parts, always wear approved accident prevention clothing (goggles, gloves and work boots).
- Avoid twisting chains or metal cables and always wear safety gloves when handling cables or chains.



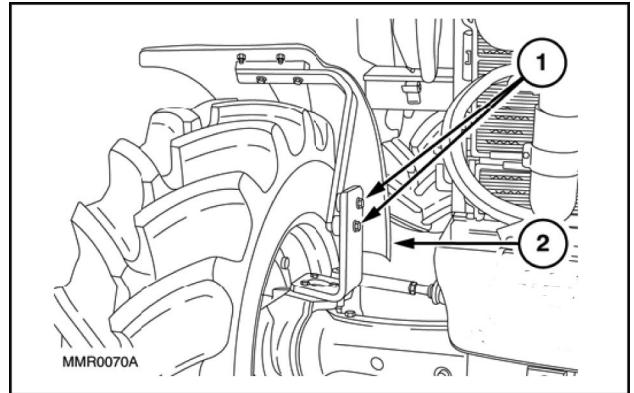
SERVICE MANUAL

Engine

Farmall® 105C less cab, with hi-lo transmission [ZxJV0xxxx] , Farmall® 105C less cab, with mechanical or power shuttle transmission [ZxJV5xxxx] , Farmall® 105C with cab, with hi-lo transmission [ZxJV0xxxx] , Farmall® 105C with cab, with mechanical or power shuttle transmission [ZxJV5xxxx] , Farmall® 115C less cab, with hi-lo transmission [ZxJV0xxxx] , Farmall® 115C less cab, with mechanical or power shuttle transmission [ZxJV5xxxx] , Farmall® 115C with cab, with hi-lo transmission [ZxJV0xxxx] , Farmall® 115C with cab, with mechanical or power shuttle transmission [ZxJV5xxxx] , Farmall® 85C less cab, with hi-lo transmission [ZxJV0xxxx] , Farmall® 85C less cab, with mechanical or power shuttle transmission [ZxJV5xxxx] , Farmall® 85C with cab, with hi-lo transmission [ZxJV0xxxx] , Farmall® 85C with cab, with mechanical or power shuttle transmission [ZxJV5xxxx] , Farmall® 95C less cab, with hi-lo transmission [ZxJV0xxxx] , Farmall® 95C less cab, with mechanical or power shuttle transmission [ZxJV5xxxx] , Farmall® 95C with cab, with hi-lo transmission [ZxJV0xxxx] , Farmall® 95C with cab, with mechanical or power shuttle transmission [ZxJV5xxxx]

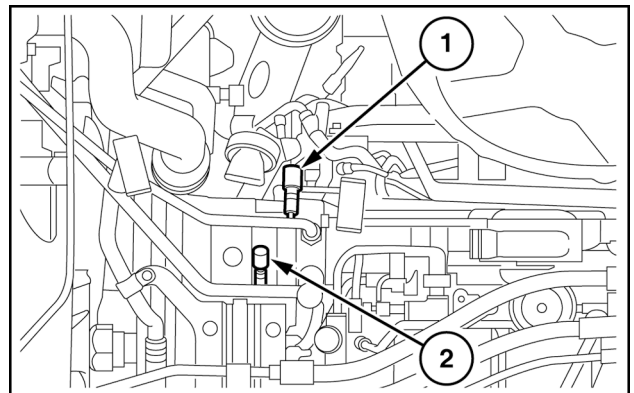
Engine - Remove

1. Remove the engine hood (1), as indicated in **Hood - Remove (90.100)**.
2. Remove the battery, as described in **Battery - Remove (55.302)**.
3. Remove the tank, as described in **Fuel tank - Remove (10.216)**.
4. Loosen the retaining bolts (1). Remove the front wheel fenders (2) (if any). Do this on both sides.



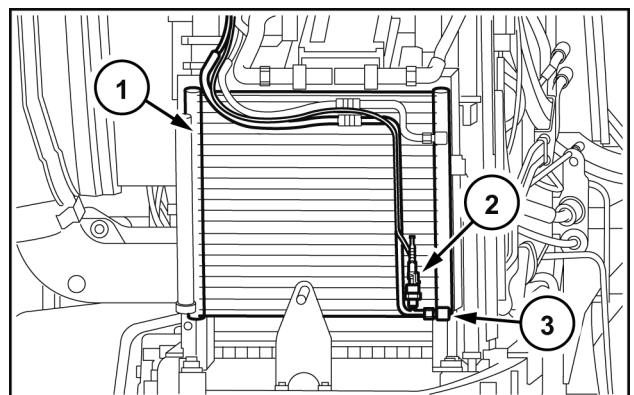
WLAPL4S10C104A 1

5. Recover the refrigerant from the system via the fittings (1) and (2) using the specific tool **380000315**. Detach the two lines by disconnecting any support straps.



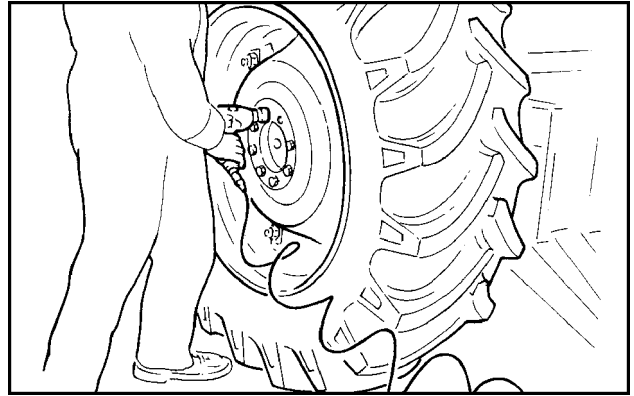
WLAPL4S10C106AA 2

6. Then detach the lower pipe (3) on the condenser (1). Free the pipe from any straps or clamps. Disconnect the sensor (2). Place the pipe on the cab.



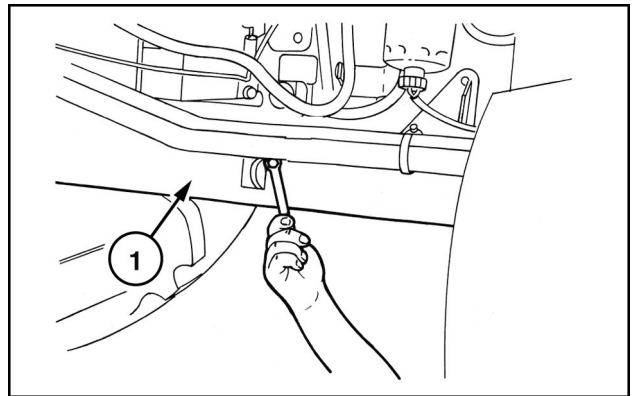
WLAPL4S10C107A 3

7. Raise the rear of the tractor with a hydraulic jack. Place a mechanical jack stand under the reduction gear case. Use a pneumatic gun to remove the retaining nuts of the left-hand rear wheel. Then remove the wheel.



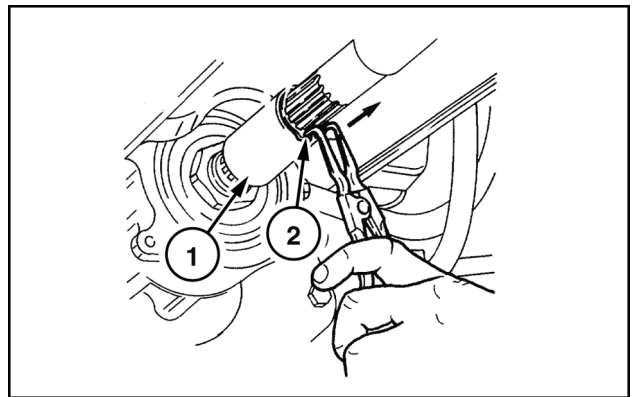
WLAPL4S10C110A 4

8. Unscrew the front, central, and rear retaining bolts on the guard of the front axle control shaft. Then remove the guard (1).



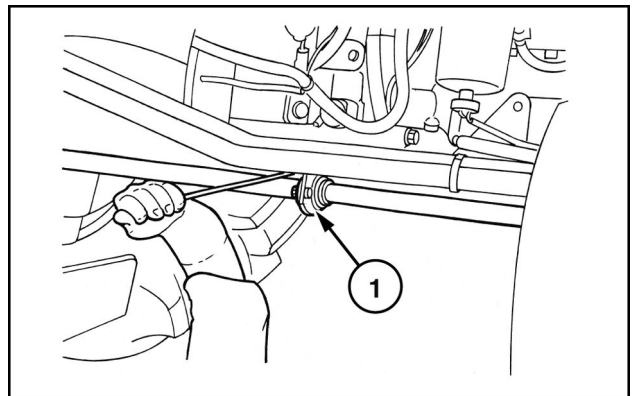
WLAPL4S10C112AA 5

9. Remove the circlip (2) and move the front sleeve (1) in the direction indicated by the arrow until it is released from the groove on the front axle.



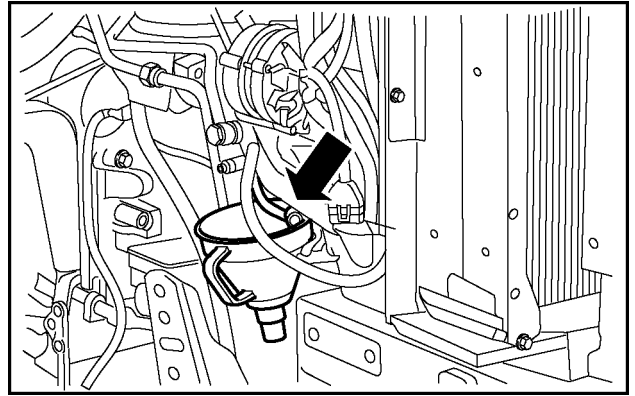
WLAPL4S10C113AA 6

10. Remove the bolts that secure the central support (1) of the drive shaft. Remove the shaft complete with the support. Also remove the shim that adjusts the clearance of the shaft on the back.



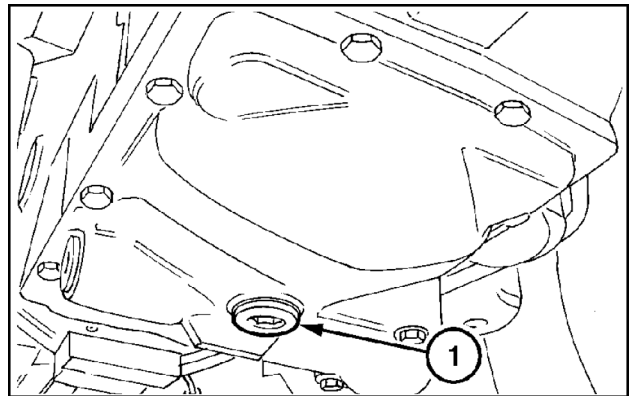
WLAPL4S10C115AA 7

11. Loosen the union of the radiator coolant return line of the cab heater. Drain and collect the engine coolant.



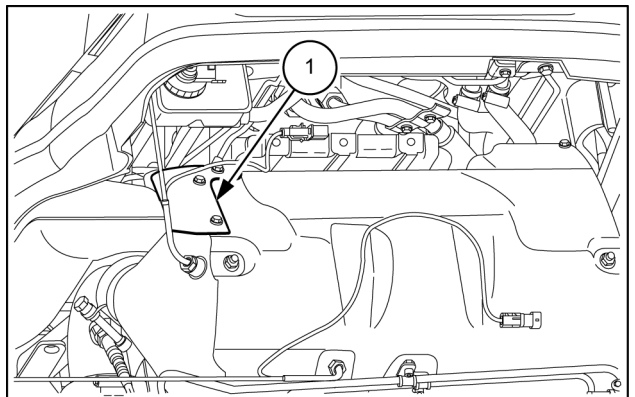
WLAPL4S10C116A 8

12. Place a suitable container under the drain plug (1) for the gearbox-transmission oil. Loosen the plug. Drain the oil.



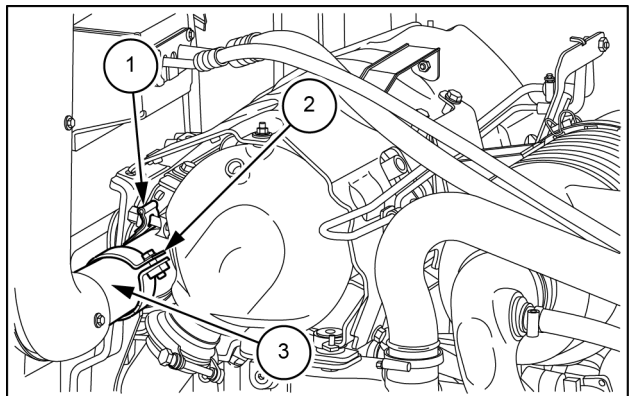
MOIL13TR00197AA 9

13. Remove the brakes reservoir heat shield (1).



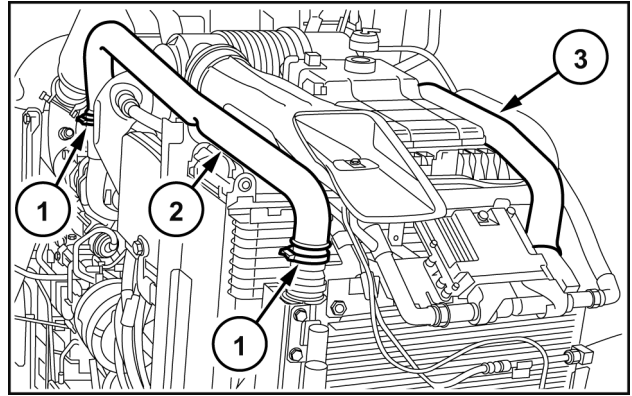
MOIL12APL98 10

14. Loosen the fixing clamp (1) to the filter DPF and the support clamp (2). Remove the exhaust pipe (3).



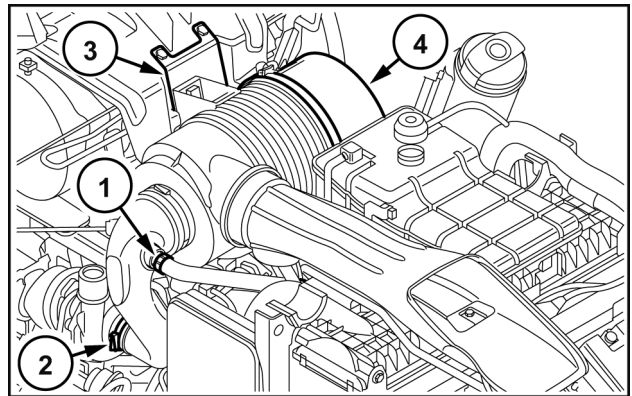
MOIL13TR01798AA 11

15. Loosen the fixing clamps (1). Extract the tubing from the turbine to the radiator intercooler (2). Perform the same operation for the tubing from the radiator intercooler to the engine (3).



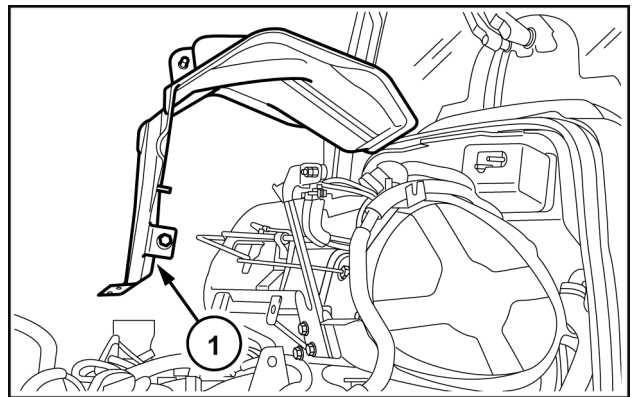
WLAPL4S10C119A 12

16. Loosen the clamp (2) that fastens the air intake duct to the turbine. Then free the air cleaner (4) together with the support bracket (3) from the screws that secure it. Disconnect the oil vapor duct (1) on the right-hand side of the engine.



WLAPL4S10C120A 13

17. Free the air cleaner bracket – hood support (1) from the fixing screws and remove it.

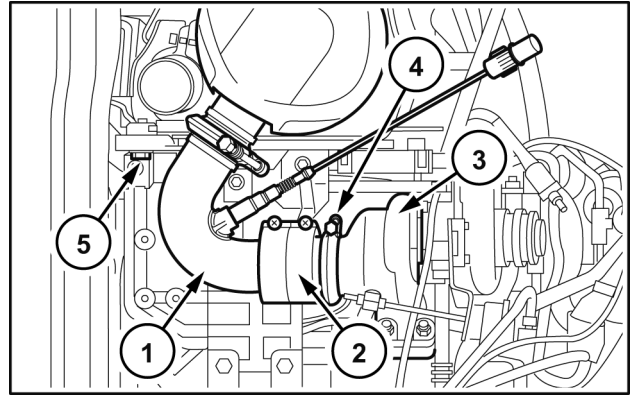


WLAPL4S10C121A 14

ATTENTION: The filter outlet union DPF (1) at its terminal (2) has a decoupler that responds to temperature variations by changing length.

A small misalignment of the axis of the decoupler with respect to the axis of the turbine outlet (3) would produce an adjustment that would no longer be lengthwise, in line with the direction of the tractor, but abnormal transversal adjustment that would impair its durability.

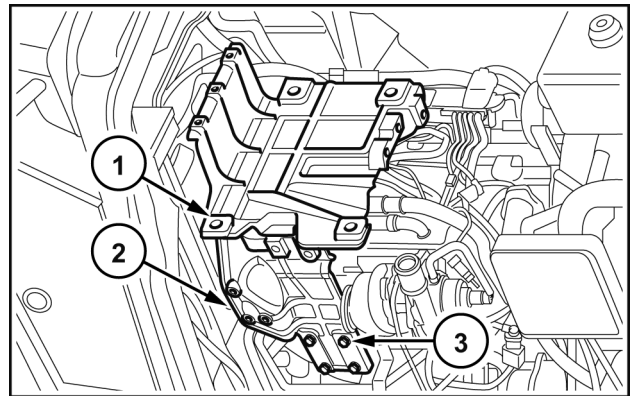
18. Disconnect all of the filter sensors. Loosen the clamp (4). Remove the entire filter together with the sensors, pressure sensing tubes, lambda probe, and heat shrouds by undoing the four screws (5) that secure it on the bottom cradle.



WLAPL4S10C122A 15

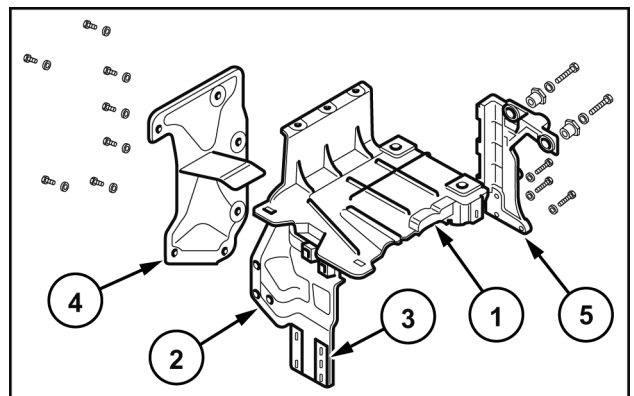
ATTENTION: Only if you have to work on the parts underneath the DPF filter support, it is advisable to remove the support.

The upper part (1) and the right-hand part (2) should be removed as a block, when possible, by removing the fixing screws (3) to the right-hand side of the engine. (These screws work on a vertical slot that allows the support (2) to take on various height positions). Before removal, take some references on the position of the unit on the engine so that, during re-assembly, it is possible to restore it to the exact position in which it was originally found.



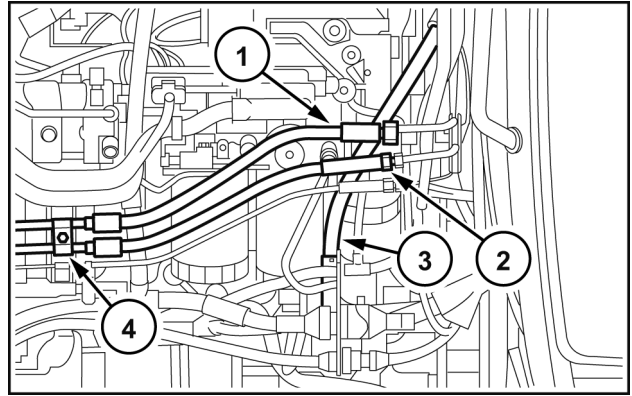
WLAPL4S10C123A 16

19. To remove the rear shield, loosen the two upper screws that fasten the support (4) to the support (1). To remove the left-hand support (5), loosen the two upper screws, the respective centring bushings that secure the left-hand bracket to the support (1). As regards removing the support (1) and (2), there are no special instructions to follow.



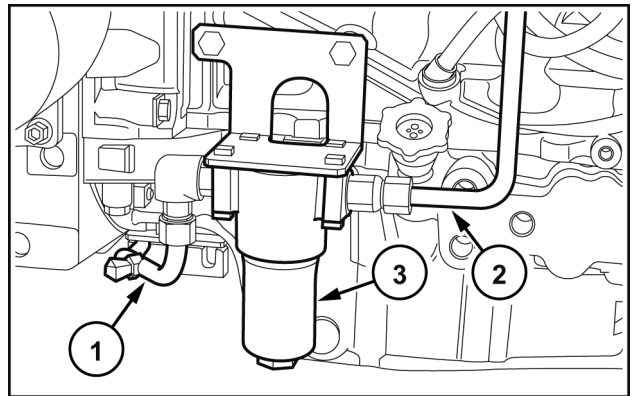
WLAPL4S10C124A 17

20. Detach the steering lines **(1)** and **(2)** and the tube supplying oil to the control valve **(3)**. Remove the fixings of the bracket **(4)** from the engine.



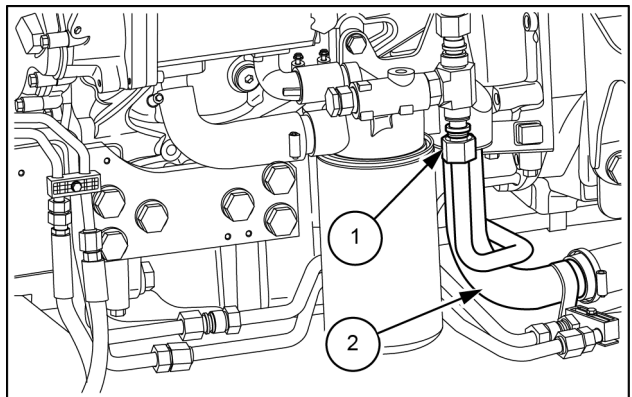
WLAPL4S10C125A 18

21. Detach the exhaust pipe of the power steering control valve on the gearbox control valve **(2)**. On the same filter, detach the gearbox control valve supply pipe **(1)**. Subsequently remove the filter together with the support **(3)**.



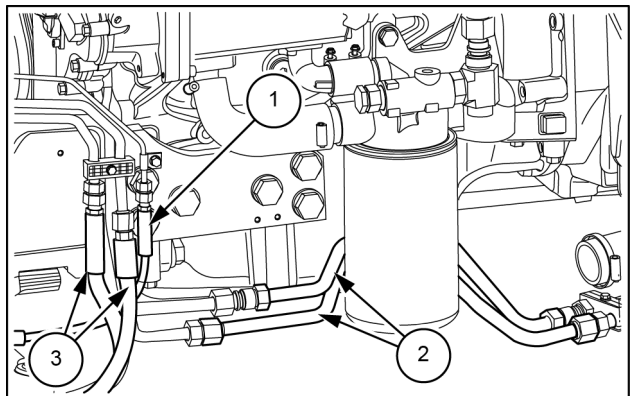
WLAPL4S10C126A 19

22. Detach the oil filter inlet pipe from the transmission **(2)**.
 23. Detach the supply pipe **(1)** from the mid-mount remote valves.



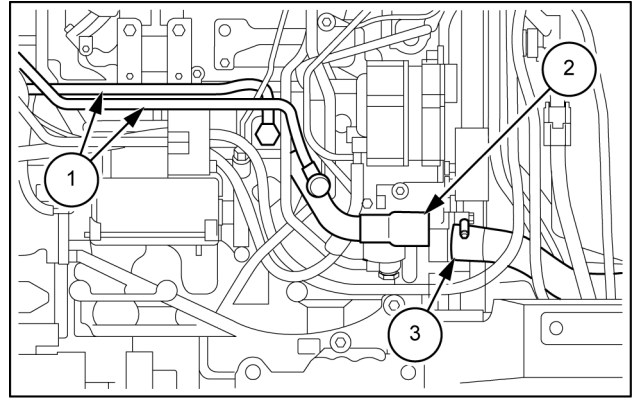
MOIL13TR01799AA 20

24. Detach the pipes **(2)** of the heat exchanger and, if applicable, of the front braking assembly **(1)**.
 25. Free the pipes that were previously detached from the supports, brackets, and clamps secured to the engine. Also do the same thing for the pipes directed to the cylinder **(3)**.



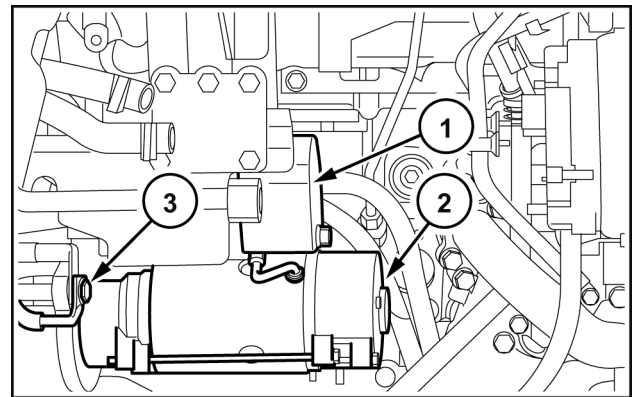
MOIL13TR01800AA 21

26. On the right-hand side, detach the cab heating pipes (1), the pipe inserted on the engine sleeve (2) coming from the expansion tank. Then loosen the clamps. Detach from the engine the lower (3) and upper rubber sleeves of the radiator-engine connection.



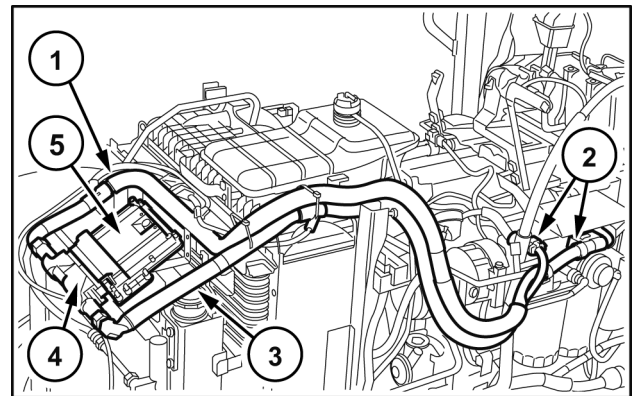
MOIL13TR01739AB 22

27. On the right-hand side, remove the shroud (1) on the starter motor (2). Disconnect the starting cable, the battery cut-off switch, and the cable that joins it to the alternator. Also disconnect the alternator and the battery positive. Free all of the wire harnesses detached from the various clamps.
28. Detach the mounting bolt (3). Then remove the ground cable of the engine and battery system. Remove the other mounting bolts of the motor and remove it.



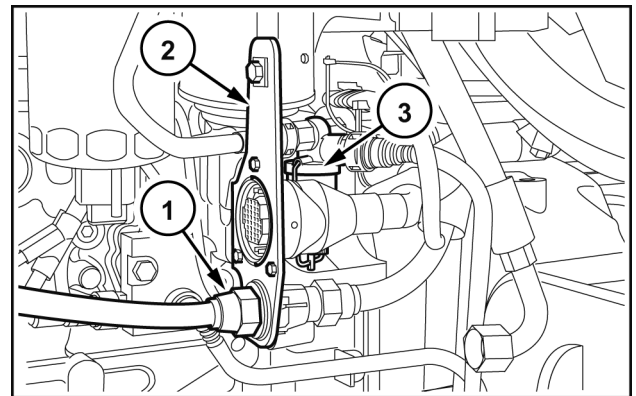
WLAPL4S10C135A 23

29. On the cable (1) of the FTP cable-engine interface, detach all of the connections (2). Leave only those connections on the maxi fuse case and on the glow plug controller. Then, after cutting the clamps, pick up the cable on the front, near the controller (5).
30. Starting from the connector on the controller (4), on the main engine cable (3) disconnect the connectors from the maxi fuse box and from the various switches and sensors located on the engine. After freeing the connector from the clamps, move the connector onto the back, at the height of the right-hand steps.



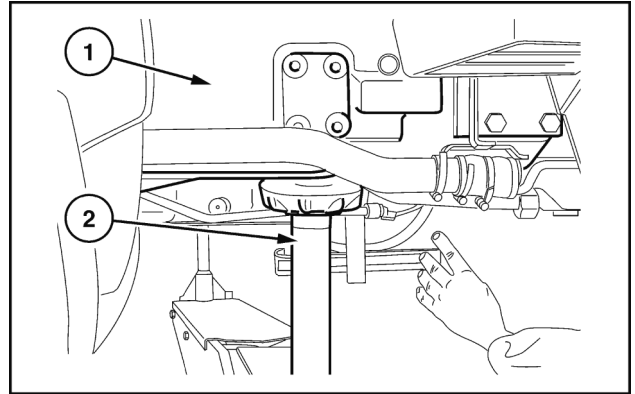
WLAPL4S10C137A 24

31. On the left-hand side, disconnect the connector of the power cable of the cab (1). Free the connector from the clamps. Move the connector onto the maxi fuse box.
32. Detach the bracket (2) supporting the cab connectors, cab power, and cup filter (3). Disconnect the pipe that joins the latter to the mechanical priming pump on the sediment filter.



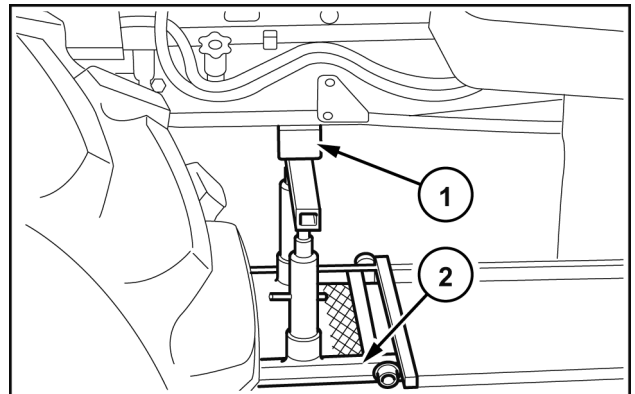
WLAPL4S10C139A 25

33. Hook the rear part of the engine to a hoist using chains or ropes for lifting. (Apply two eyebolts, one to the right-hand side and one to the left-hand side, on the upper part of the flange containing the flywheel.) Position a fixed jack stand (2) under the clutch case (1) near the engine attachment flanging. Apply the hand brake.



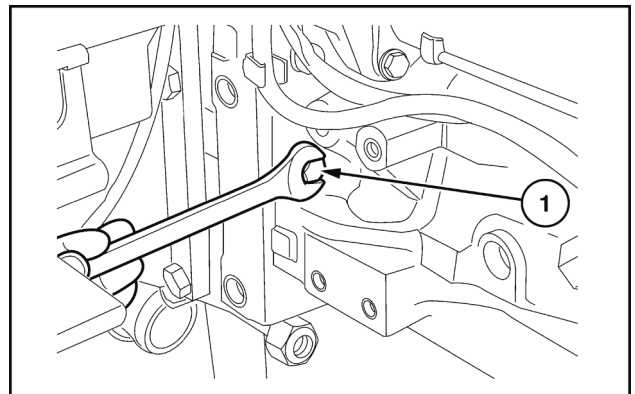
WLAPL4S10C129A 26

34. Position the movable tool for dismantling tractors (2) with the bracket and adapter plate under the engine. Place a wooden block (1) between the points of contact between the tool and the engine. Wedge the axle to prevent swinging.



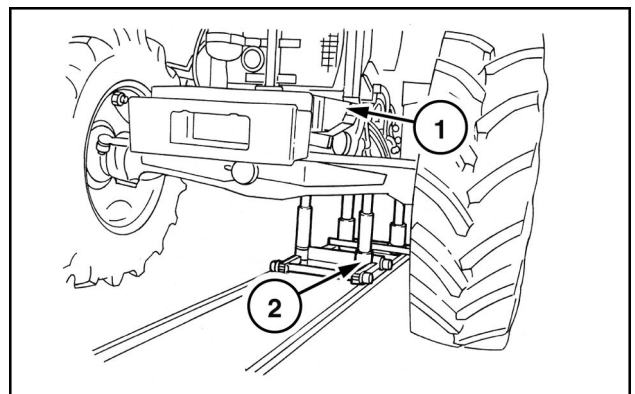
WLAPL4S10C140A 27

35. Remove the retaining bolts (1) between the engine and the transmission.



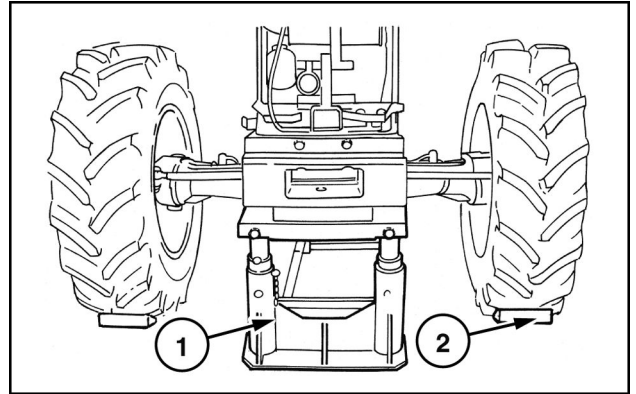
WLAPL4S10C130A 28

36. Separate the engine (1) from the transmission with the appropriate tool (2).



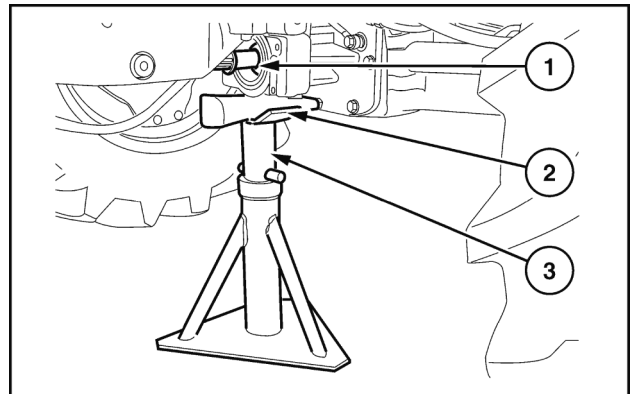
WLAPL4S10C131AA 29

37. Insert a fixed jack stand (1) under the ballast support. Chock the front wheels with wooden wedges (2).



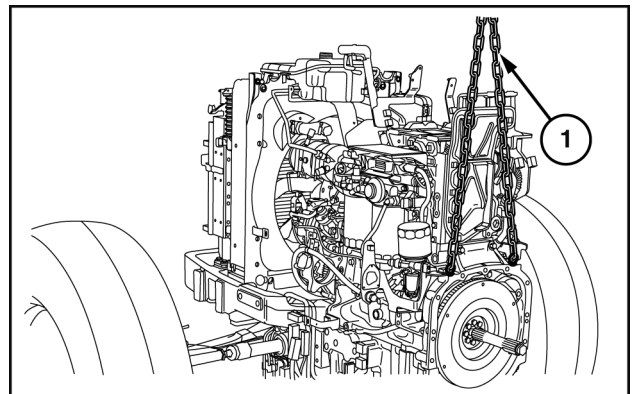
WLAPL4S10C132AA 30

38. Position a fixed jack stand (3) under the support of the groove (1) of the drive of the front axle, inserting a wooden plug (2) between parts (3) and (1).



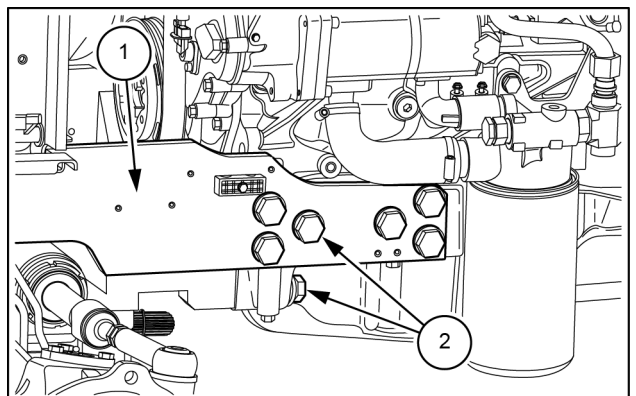
WLAPL4S10C133A 31

39. Position a jack stand under the rear of the engine so as to be able to safely release the hoist with the coupling device. Add a rope or chain (1) also on the front of the engine. Take up the slack with the lifting device, keeping the engine balanced.



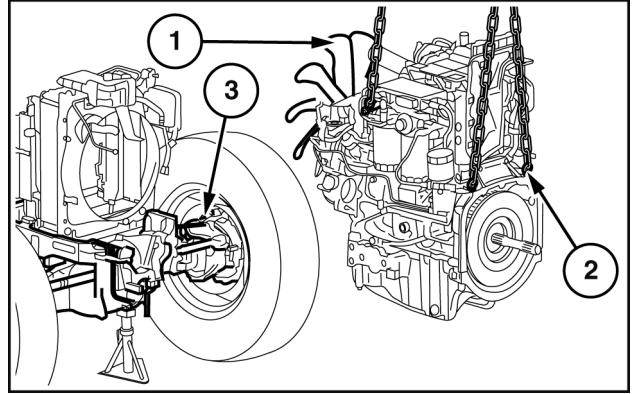
WLAPL4S10C136A 32

40. Remove the bolts (2) fastening the front axle support (1) to the engine.



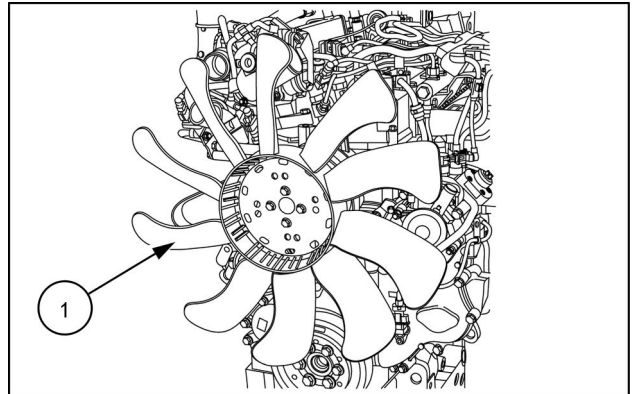
MOIL13TR01801AA 33

41. Check that there are no brackets between the engine and the cooling assembly. Detach the engine (2) from the front axle (3). Try to avoid incorrect maneuvers with the hoist in order to not damage the fins of the radiator on the axle with the engine fan (1). Rest the engine (2) on a support.



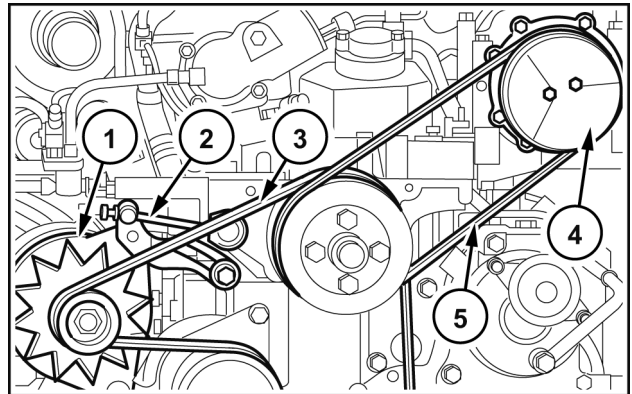
WLAPL4S10C138A 34

42. Remove the cooling fan (1).



MOIL14UTL0038AA 35

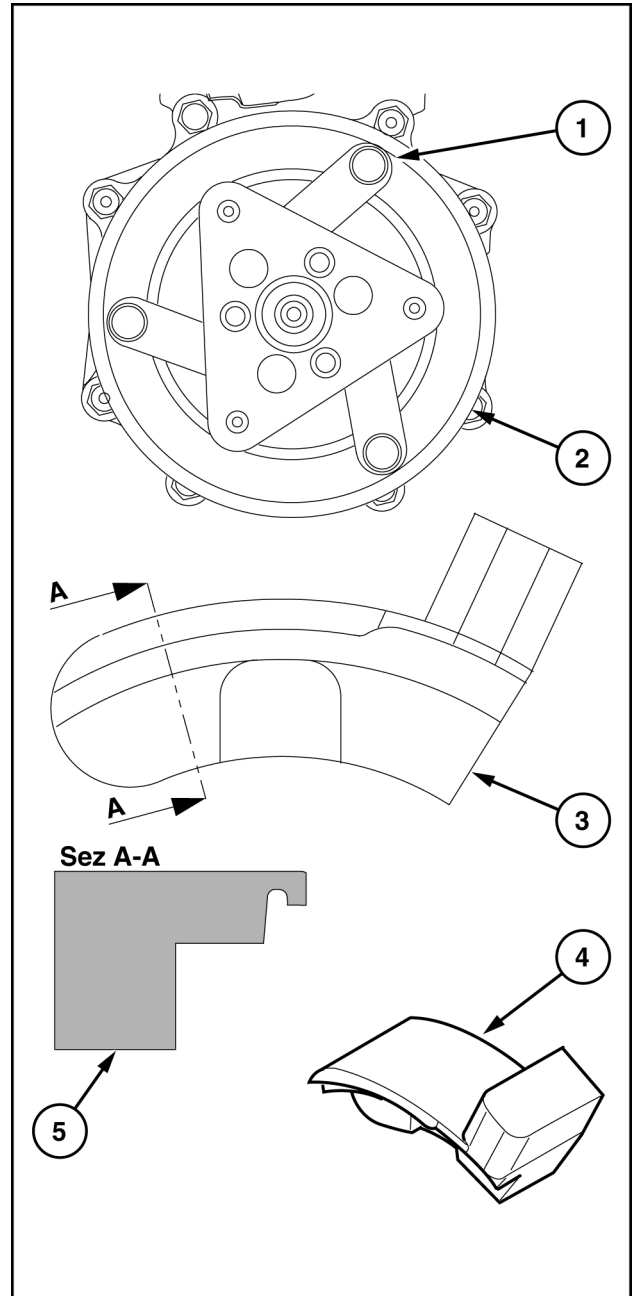
43. Loosen the compressor fixing screws (4). Remove the belt (5). Then remove the compressor.
44. Completely loosen the belt tensioner (2). Remove the flexible belt (3). Then remove the alternator (1).



WLAPL4S10C145A 36

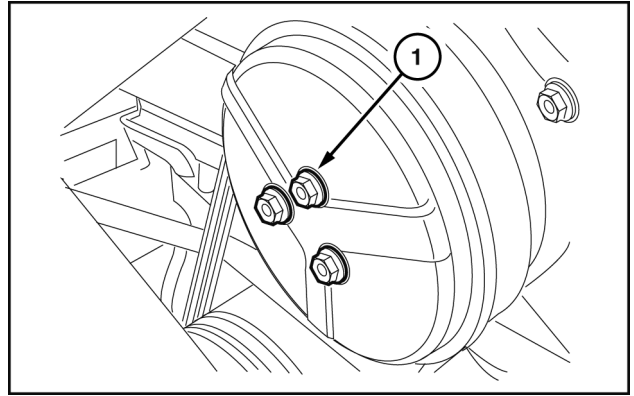
Engine - Install

1. Refit the flexible belt on the alternator and take up the slack according to the procedure in **Alternator - Tension adjust (55.301)**.
2. Reposition the compressor and the relevant belt following this procedure:
 - Put the compressor back on the support and with the related pipe support. Secure with the bolts
 - To mount the polyv belt, use the specific tool **380200011**.
 - (1). Compressor clutch actuator drive bracket.
 - (2). polyv belt pulley outer edge.
 - (3). Tool recess. Used to drive the tool. This recess houses the bracket (1).
 - (4). Tail. Used to drive the polyv belt in the pulley seat.
 - (5). Hitching. Thanks to this recess, where the outer edge (2) is housed, the tool remains hitched to the compressor.



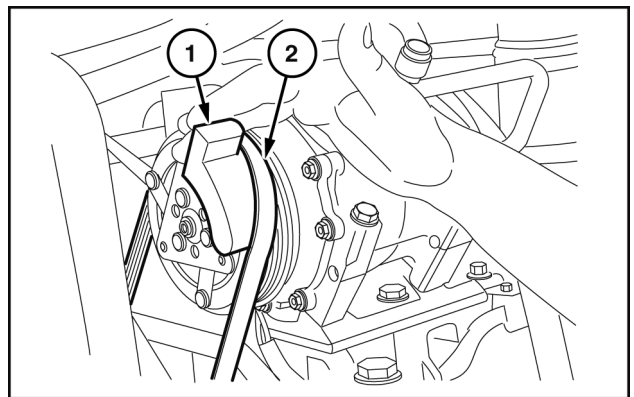
WLAPL4S10C101C 1

3. Remove the three bolts (1) and the related dust cover for the compressor clutch.



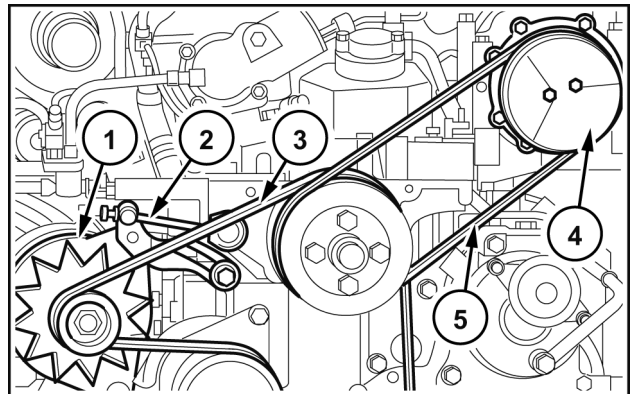
WLAPL4S10C142A 2

4. Ensure that the polyv belt (2) is perfectly housed on the fan pulley.
5. Move the belt (2) near to the compressor pulley. Keeping the tool 380200011 under the belt, hook the tool onto the compressor clutch at the innermost part in order to slightly force the belt.



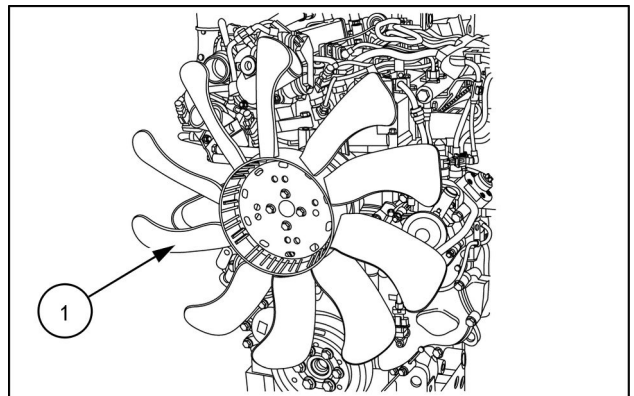
WLAPL4S10C143A 3

6. With your left hand on the fan and right hand on the tool, move both clockwise in order to take the belt onto the compressor pulley. Put the dust cup back onto the compressor clutch. Tighten the three screws, ensuring that you spread a film of thread lock on the ends so that they do not come loose.
7. Position the alternator (1) and the elastic belt (3). Tighten the belt tensioner (2).



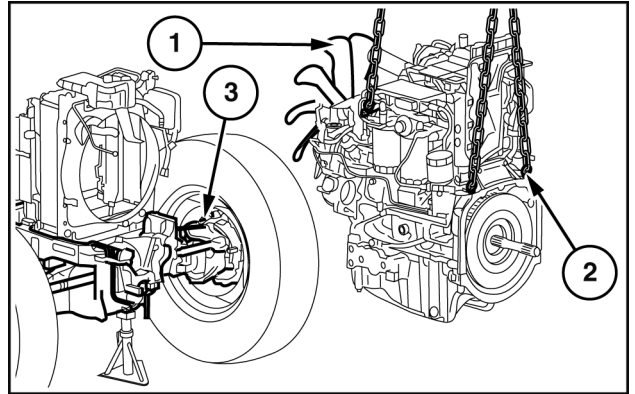
WLAPL4S10C145A 4

8. Refit the cooling fan (1).



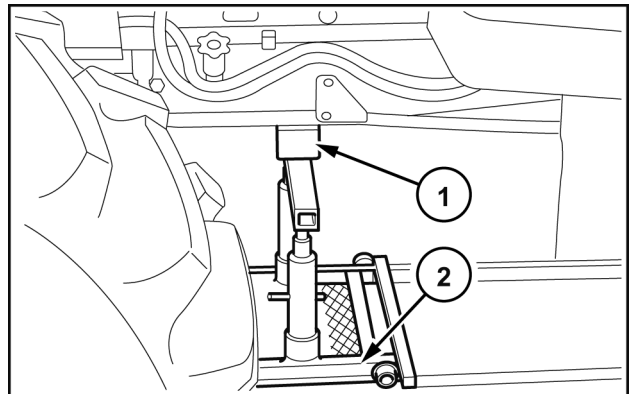
MOIL14UTL0038AA 5

9. Insert the three hooks of the chain in the eyelets on the engine. Using a hoist, lift the assembly off the platform support.
10. Position the engine (2) on the front axle (3), trying to avoid incorrect operations with the hoist so as not to let the engine fan damage the fins of the radiator (1). Then join the two assemblies together with the four retaining bolts and the necessary adjuster spacers for the cylinder block/sump support.



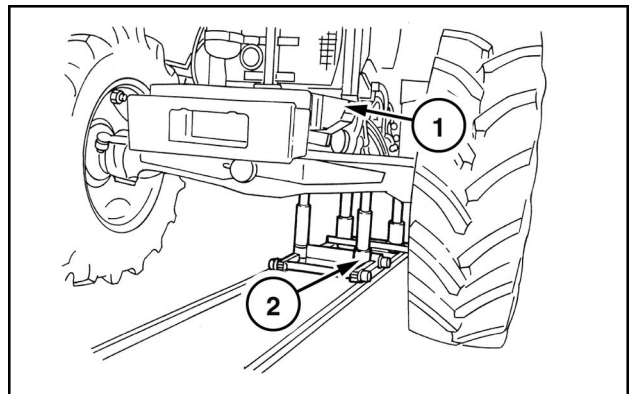
WLAPL4S10C138A 6

11. Reposition the movable tool for dismantling tractors (2) under the engine. Place a wooden block (1) in the point of contact between the tool and the engine.



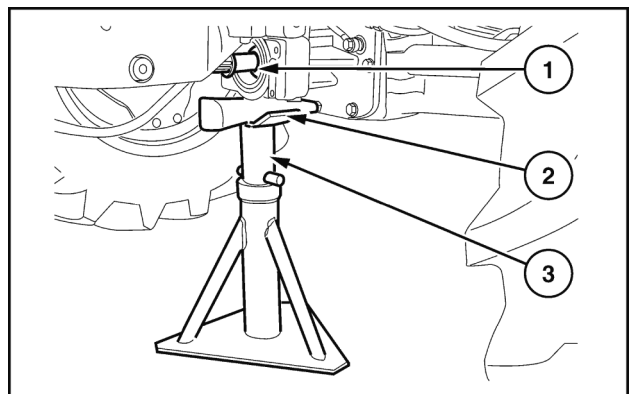
WLAPL4S10C140A 7

12. With the aid of the hoist, place the engine (1) on the tool (2). Remove the lifting eyebolts previously fitted on the rear of the engine.



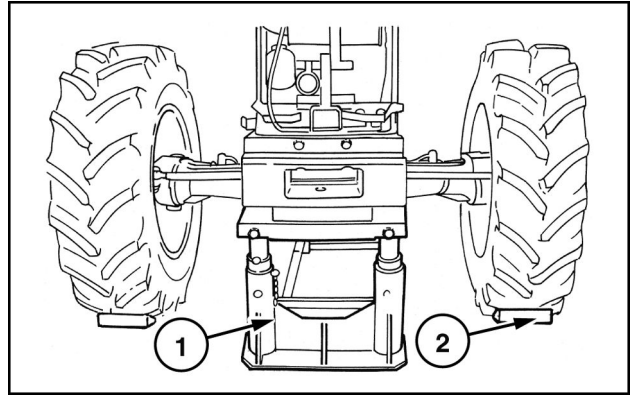
WLAPL4S10C131AA 8

13. Remove the fixed jack stand (3) previously positioned under the support of the groove (1) of the drive of the front axle and the wooden plug (2).



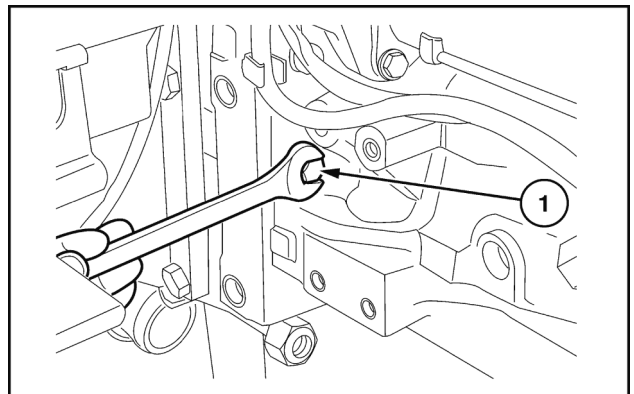
WLAPL4S10C133A 9

14. Remove the fixed jack stand **(1)** previously fitted under the ballast support and the wooden wedges **(2)** locking the front wheels.



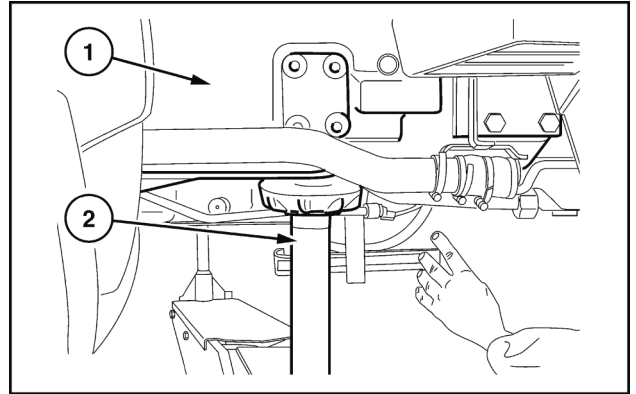
WLAPL4S10C132AA 10

15. Remove the old sealing paste from the two surfaces between the engine and clutch case.
16. Apply **LOCTITE® 518™** sealing compound on the mating surfaces of the engine and clutch case.
17. Put a wooden wedge under the right-hand rear wheel. Make sure that the hand brake is fully applied and that all fixed and mobile stands are safely positioned.
18. The installation phase described here requires the presence of two or three workers to use the specific movable tool for dismantling tractors to move the engine/front axle assembly close to the gearbox case.
19. In the phase of installing the engine/front axle assembly to the gearbox case, it is necessary to push on the front wheels, taking great care in the end phase of coupling over both the pipes and the cables/electrical connections to prevent crushing between the two bodies. Moreover, during this phase it is necessary to turn the crankshaft with the aid of the radiator cooling fan to aid coupling between the sleeve and the drive shaft.
20. Secure both assemblies by tightening all the bolts **(1)** locking the engine to the gearbox case.



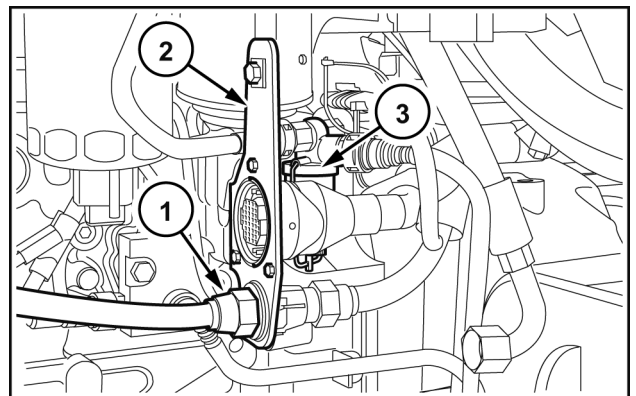
WLAPL4S10C130A 11

21. Disconnect the hoist chains. Remove the jack stand **(2)** previously fitted under the clutch case **(1)**. Retrieve the movable tool for dismantling tractors.



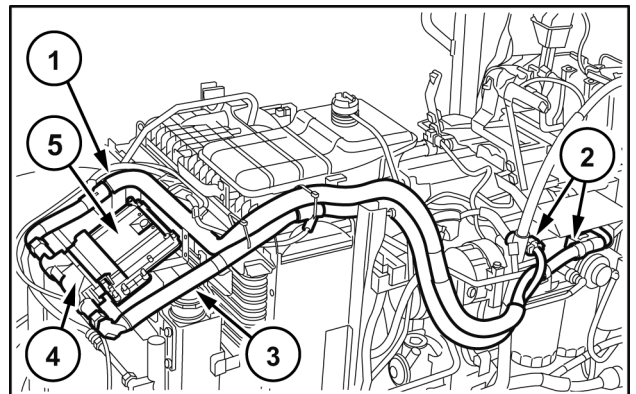
WLAPL4S10C129A 12

22. Refit the bracket **(2)** supporting the cab connectors, cab power and cup filter **(3)**. Connect the pipe that joins the latter to the mechanical priming pump on the sediment filter.
23. On the left-hand side, connect the cab power cable connector **(1)**. Put the connector on the maxi fuse box and lock with clamps.



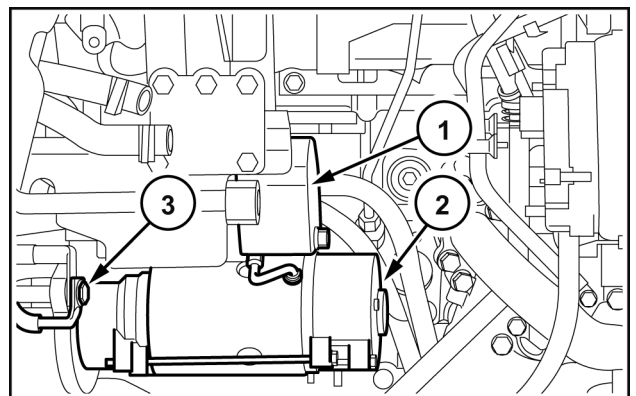
WLAPL4S10C139A 13

24. Return the main engine cable **(3)** back into position. Connect the sensors and switches located on the engine, the connectors **(4)** on the controller **(5)** and on the maxi fuse compartment. Fasten the wiring with clamps.
25. Lay out the FTP interface - engine cable **(1)** on the machine. Reconnect the various connections **(2)**. Secure the wiring with clamps.



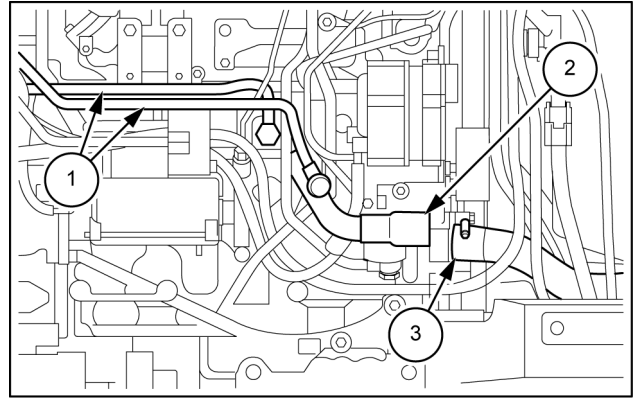
WLAPL4S10C137A 14

26. Refit the starter motor **(2)**. Then connect the ground cable of the engine and battery system. Secure the ground cable with the bolt **(3)**.
27. On the right-hand side, reconnect the battery positive cable and the wirings to the starter motor, battery cut-off switch and alternator. Refit the shroud **(1)** on the starter motor **(2)**.



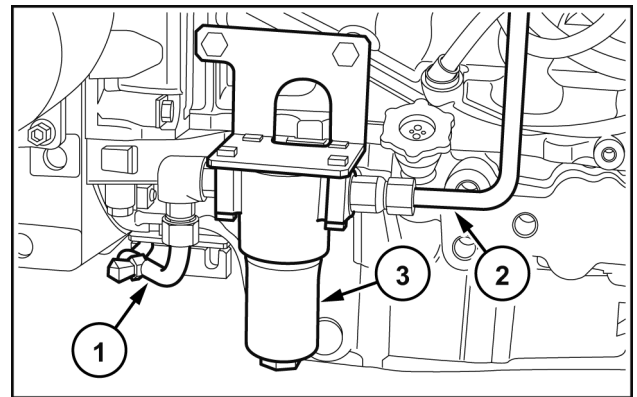
WLAPL4S10C135A 15

28. Refit the two supply and return lines to the cab heater (1) and the pipe (3) inserted on the lower sleeve coming from the expansion tank. Refit the upper and lower sleeves (4) of the engine radiator connection. Secure the straps and clamps tightening the pipes.



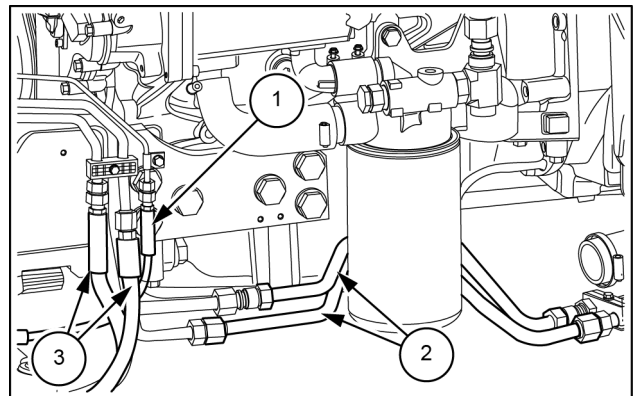
MOIL13TR01739AB 16

29. Reconnect the power steering control valve oil filter together with the support (3). Reconnect the oil drain line (2) from the power steering and the supply line to the control valve of the gearbox (1).



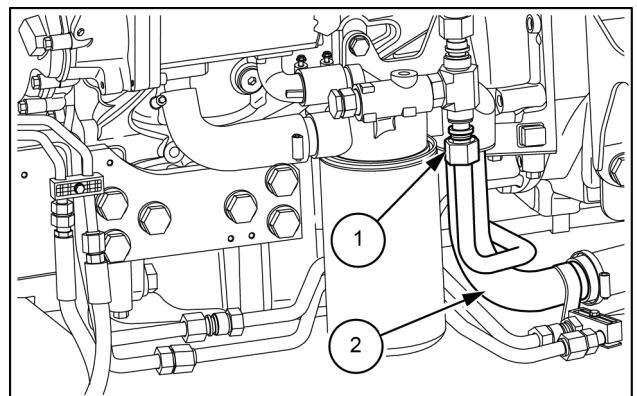
WLAPL4S10C126A 17

30. Refit the two pipes (2) of the heat exchanger and, if present, of the front braking assembly (1).



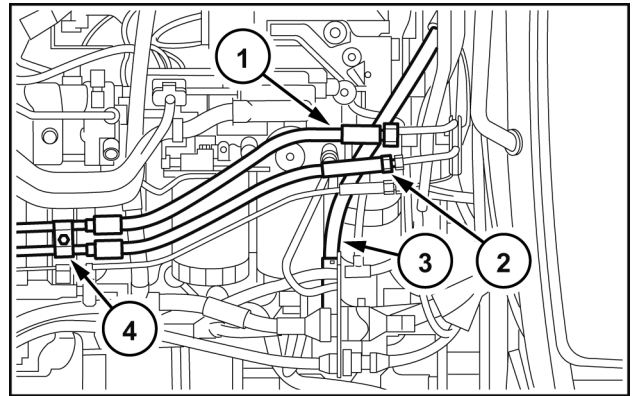
MOIL13TR01800AA 18

31. Reconnect the supply line to the mid-mount remote valves and the oil filter suction from the transmission (1).



MOIL13TR01799AA 19

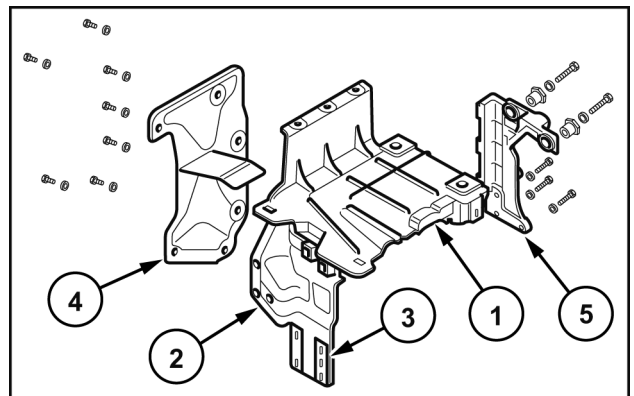
32. Connect the pipes to the power steering cylinder (1) and (2). Connect the power supply to the control valve (3). Refit the fixture (4).



WLAPL4S10C125A 20

33. If it was necessary to remove the DPF support, proceed as follows:

- 1 – Mount the upper support (1) on the right-hand one (2) with the three Allen screws.
- 2 – Mount the left-hand support (5) securing it to the engine with the three lower screws.
- 3 – Mount the assembly of the supports (1) and (2) to the engine with the four screws in position (3), respecting the reference marks made when dismantling.
- 4 – Secure the support (5) to the support (1) with the two upper screws and the two adjustment bushings.
- 5 – Secure the support (4) to the engine with the two lower screws, to the support (5) with the three left-hand screws and to the support (1) with the two upper screws.



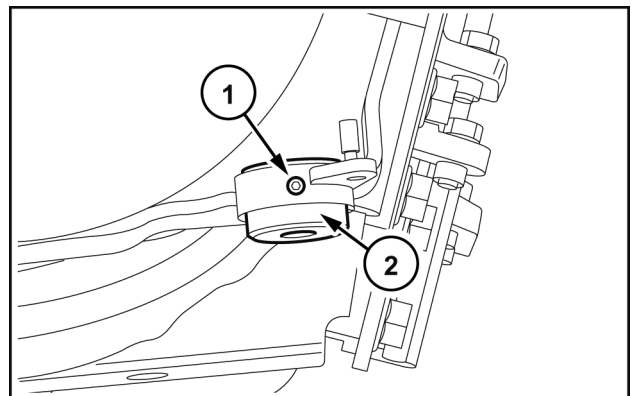
WLAPL4S10C124A 21

34. Refit the DPF filter assembly. Return the entire unit into position. Fasten the four fixing screws of the assembly to the cradle.

Observation:

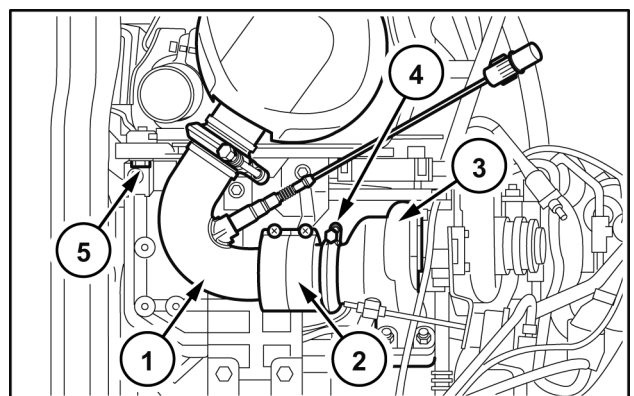
If, after refitting the DPF filter, you find a slight misalignment with the axis of the turbine, it is possible to make a correction. On the two screws fixing the filter to the cradle there are two threaded bushings (2) held in position by a grub screw (1).

Loosen the grub screw with an Allen key. Tighten or loosen the bushing by the amount necessary to correct the misalignment. Retighten the grub screw. Secure the support.



WLAPL4S10C146A 22

35. Tighten the clamp (4). Fix the filter to the bottom cradle using the four screws (5). Reconnect all of the sensors.

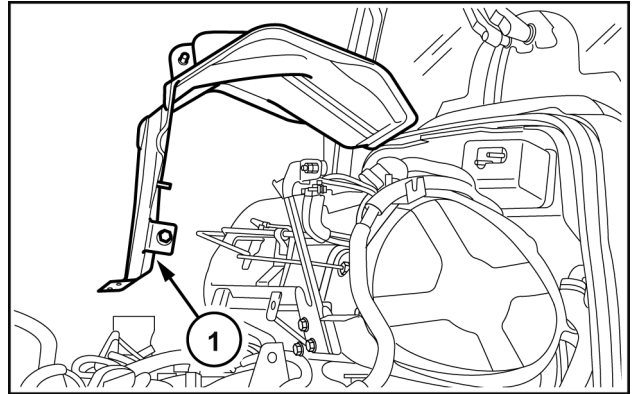


WLAPL4S10C122A 23

ATTENTION: The filter outlet union DPF (1) at its terminal (2) has a decoupler that responds to temperature variations by changing length.

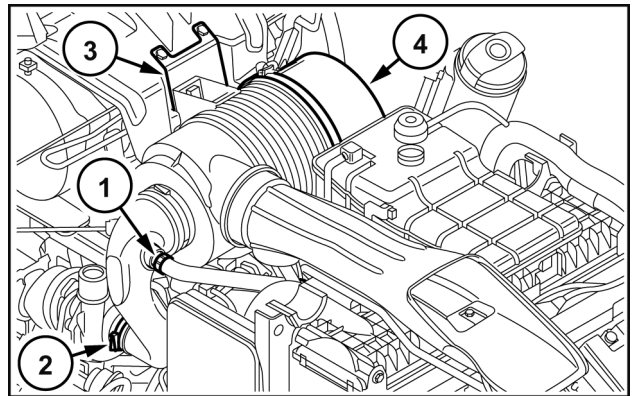
A small misalignment of the axis of the decoupler with respect to the axis of the turbine outlet (3) would produce an adjustment that would no longer be lengthwise, in line with the direction of the tractor, but abnormal transversal adjustment that would impair its durability.

36. Refit the hood support of the air filter bracket (1).



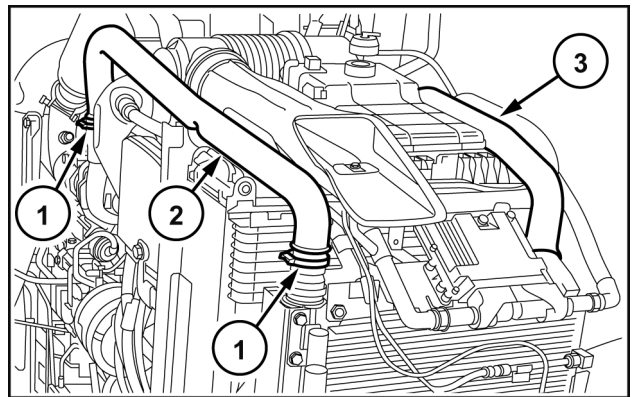
WLAPL4S10C121A 24

37. Reassemble the air filter unit (4) and the respective support (3). Fix the screws on the filter bracket and on the supply duct on the radiator. Refit the sleeve connected to the turbine (2), and the oil vapor duct (1).



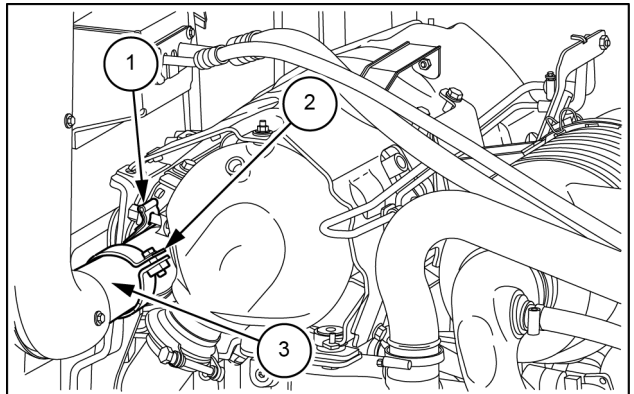
WLAPL4S10C120A 25

38. Refit the two pipes (2) and (3) to the radiator inter-cooler. Tighten the respective clamps (1).



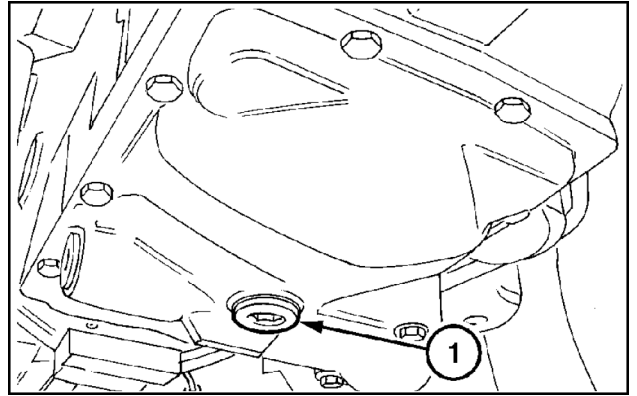
WLAPL4S10C119A 26

39. Refit the exhaust pipe (3). Tighten the relevant retaining clamps (1) and (2).



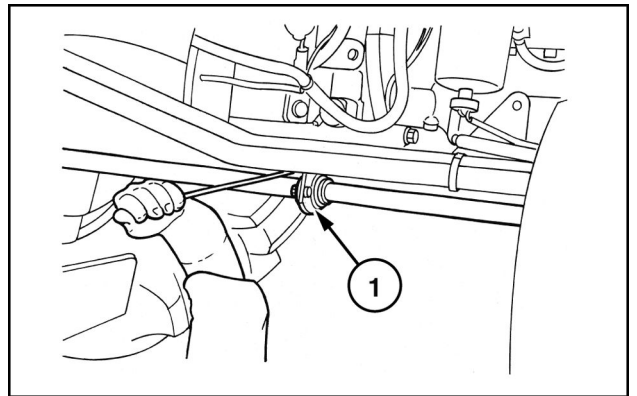
MOIL13TR01798AA 27

40. Refit the transmission oil drain plug (1). Refill with oil using a pump.



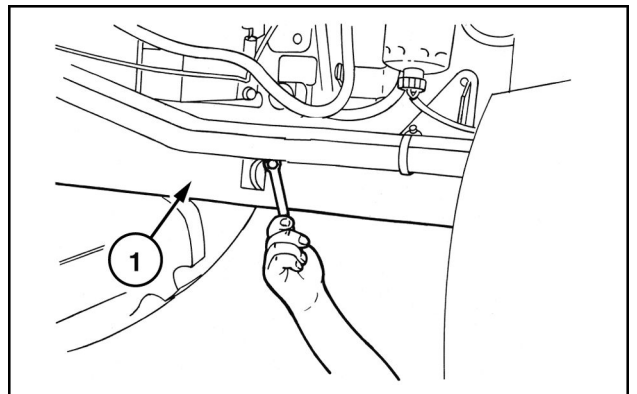
MOIL13TR00197AA 28

41. Refit the drive shaft together with the central support (1) and the retaining bolts. Insert the shim. Adjust the shaft end play.



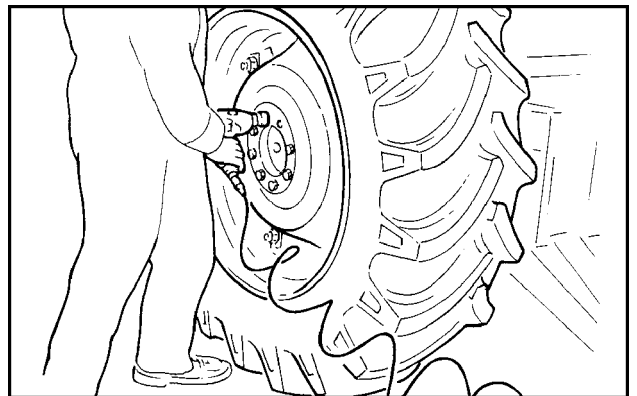
WLAPL4S10C115AA 29

42. Refit the guard of the front axle control shaft (1). Tighten the front, central, and rear retaining bolts.



WLAPL4S10C112AA 30

43. Using a hydraulic jack, raise the rear of the tractor. Remove the mechanical jack stand under the left-hand reduction gear. Put the wheel back into position. Fit the retaining nuts with a pneumatic gun.



WLAPL4S10C110A 31



Suggest:

If the above button click is invalid.

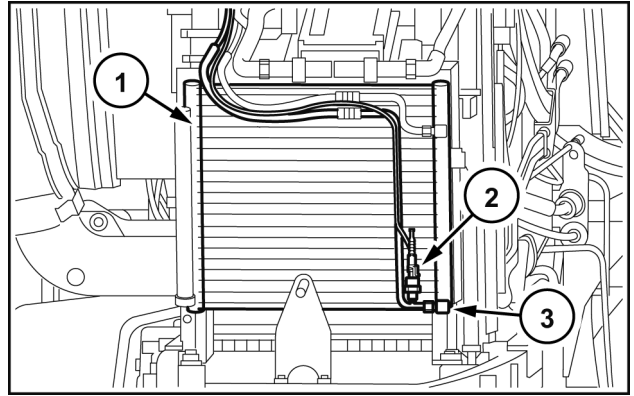
Please download this document

first, and then click the above link

to download the complete manual.

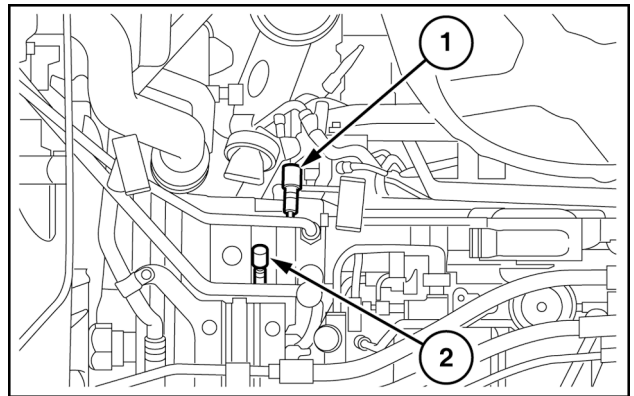
Thank you so much for reading

44. Reconnect the air-conditioning lines (3) and the sensor (2) to the condenser (1). Fix them with clamps and brackets.



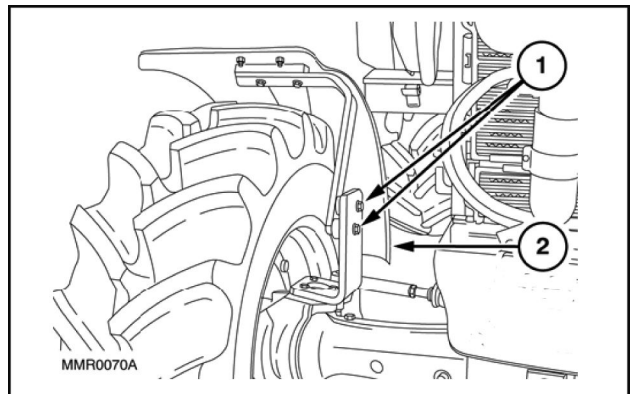
WLAPL4S10C107A 32

45. Reconnect the air-conditioning lines (1) and (2) on the compressor. Secure the lines with clamps and brackets.
46. Top up the air-conditioning system with refrigerant using the specific controller **380000315**.



WLAPL4S10C106AA 33

47. Refit the front wheel fenders (2), if applicable. Tighten the respective fixtures (1).



MMR0070A

WLAPL4S10C104A 34

48. Re-install the tank, as described in **Fuel tank - Install (10.216)**.
49. Re-install the battery, as described in **Battery - Install (55.302)**.
50. Refit the engine hood, as indicated in **Hood - Install (90.100)**.

<https://www.ebooklibonline.com>

Hello dear friend!

Thank you very much for reading.

Enter the link into your browser.

The full manual is available for immediate download.

<https://www.ebooklibonline.com>