

FARMALL® 35A
FARMALL® 40A
Tier 4B (final)
Compact Tractor

FARMALL® 35A ROPS: PIN LSMF35ARxx0010001 to LSMF35ARVH0010035
FARMALL® 40A ROPS: PIN LSMF40ARxx0010001 to LSMF40ARCH0010034

SERVICE MANUAL

Part number 48144025

1st edition English

June 2017

CASE II
AGRICULTURE

Contents

INTRODUCTION

Engine	10
[10.001] Engine and crankcase	10.1
[10.216] Fuel tanks	10.2
[10.206] Fuel filters	10.3
[10.218] Fuel injection system.....	10.4
[10.202] Air cleaners and lines	10.5
[10.254] Intake and exhaust manifolds and muffler	10.6
[10.501] Exhaust Gas Recirculation (EGR) exhaust treatment.....	10.7
[10.400] Engine cooling system	10.8
[10.414] Fan and drive	10.9
Clutch	18
[18.100] Clutch mechanical release control	18.1
[18.110] Clutch and components	18.2
Power coupling	19
[19.110] Flywheel damper	19.1
Transmission	21
[21.114] Mechanical transmission	21.1
[21.130] Mechanical transmission external controls.....	21.2
[21.140] Mechanical transmission internal components.....	21.3
[21.110] Master clutch housing	21.4
Four-Wheel Drive (4WD) system	23
[23.314] Drive shaft.....	23.1
[23.101] Mechanical control	23.2
Front axle system	25
[25.100] Powered front axle	25.1

[25.102] Front bevel gear set and differential	25.2
[25.108] Final drive hub, steering knuckles, and shafts	25.3
Rear axle system.....	27
[27.106] Rear bevel gear set and differential.....	27.1
[27.120] Planetary and final drives	27.2
Hydrostatic drive.....	29
[29.200] Mechanical control	29.1
[29.100] Transmission and steering hydrostatic control	29.2
[29.204] Reservoir, cooler, and lines	29.3
[29.218] Pump and motor components.....	29.4
[29.202] Hydrostatic transmission	29.5
Power Take-Off (PTO).....	31
[31.101] Rear mechanical control	31.1
[31.104] Rear electro-hydraulic control.....	31.2
[31.110] One-speed rear Power Take-Off (PTO)	31.3
[31.120] Central Power Take-Off (PTO)	31.4
Brakes and controls	33
[33.110] Parking brake or parking lock	33.1
[33.120] Mechanical service brakes	33.2
Hydraulic systems.....	35
[35.000] Hydraulic systems.....	35.1
[35.300] Reservoir, cooler, and filters.....	35.2
[35.104] Fixed displacement pump.....	35.3
[35.350] Safety and main relief valves	35.4
[35.204] Remote control valves	35.5
[35.114] Three-point hitch control valve	35.6
[35.116] Three-point hitch cylinder	35.7
[35.724] Front loader hydraulic system control.....	35.8

<https://www.ebooklibonline.com>

Hello dear friend!

Thank you very much for reading.

Enter the link into your browser.

The full manual is available for immediate download.

<https://www.ebooklibonline.com>

Hitches, drawbars, and implement couplings	37
[37.100] Drawbars and towing hitches	37.1
[37.108] Rear three-point hitch external controls.....	37.2
[37.110] Rear three-point hitch	37.3
Steering	41
[41.101] Steering control	41.1
[41.106] Tie rods.....	41.2
[41.200] Hydraulic control components.....	41.3
[41.216] Cylinders	41.4
[41.206] Pump	41.5
Wheels	44
[44.511] Front wheels.....	44.1
[44.520] Rear wheels	44.2
Electrical systems	55
[55.000] Electrical system	55.1
[55.100] Harnesses and connectors.....	55.2
[55.525] Cab engine controls.....	55.3
[55.201] Engine starting system	55.4
[55.301] Alternator.....	55.5
[55.640] Electronic modules	55.6
[55.031] Parking brake electrical system.....	55.7
[55.512] Cab controls.....	55.8
[55.023] Transmission position sensors and switches	55.9
[55.052] Central or middle Power Take-Off (PTO) control system	55.10
[55.610] Ground speed control	55.11
[55.DTC] FAULT CODES.....	55.12
Platform, cab, bodywork, and decals	90
[90.110] Operator platform less cab	90.1

[90.114] Operator protections 90.2
[90.120] Mechanically-adjusted operator seat..... 90.3
[90.100] Engine hood and panels 90.4
[90.116] Fenders and guards 90.5



INTRODUCTION

Foreword - Important notice regarding equipment servicing

All repair and maintenance work listed in this manual must be carried out only by qualified dealership personnel, strictly complying with the instructions given, and using, whenever possible, the special tools.

Anyone who performs repair and maintenance operations without complying with the procedures provided herein shall be responsible for any subsequent damages.

The manufacturer and all the organizations of its distribution chain, including - without limitation - national, regional, or local dealers, reject any responsibility for damages caused by parts and/or components not approved by the manufacturer, including those used for the servicing or repair of the product manufactured or marketed by the manufacturer. In any case, no warranty is given or attributed on the product manufactured or marketed by the manufacturer in case of damages caused by parts and/or components not approved by the manufacturer.

The manufacturer reserves the right to make improvements in design and changes in specifications at any time without notice and without incurring any obligation to install them on units previously sold. Specifications, descriptions, and illustrative material herein are as accurate as known at time of publication but are subject to change without notice.

In case of questions, refer to your CASE IH Sales and Service Networks.

Safety rules


Personal safety





This is the safety alert symbol. It is used to alert you to potential personal injury hazards. Obey all safety messages that follow this symbol to avoid possible death or injury.

Throughout this manual you will find the signal words DANGER, WARNING, and CAUTION followed by special instructions. These precautions are intended for the personal safety of you and those working with you.

Read and understand all the safety messages in this manual before you operate or service the machine.

 DANGER indicates a hazardous situation that, if not avoided, will result in death or serious injury.

 WARNING indicates a hazardous situation that, if not avoided, could result in death or serious injury.

 CAUTION indicates a hazardous situation that, if not avoided, could result in minor or moderate injury.

FAILURE TO FOLLOW DANGER, WARNING, AND CAUTION MESSAGES COULD RESULT IN DEATH OR SERIOUS INJURY.

Machine safety

NOTICE: Notice indicates a situation that, if not avoided, could result in machine or property damage.

Throughout this manual you will find the signal word Notice followed by special instructions to prevent machine or property damage. The word Notice is used to address practices not related to personal safety.

Information

NOTE: Note indicates additional information that clarifies steps, procedures, or other information in this manual.

Throughout this manual you will find the word Note followed by additional information about a step, procedure, or other information in the manual. The word Note is not intended to address personal safety or property damage.

Safety rules - Personal safety

General safety rules

Read this manual carefully before starting, using carrying out maintenance, refueling or performing any other type of operation on the tractor.

Read all the safety decals on the tractor and follow the instructions thereon before starting, operating, refueling or carrying out maintenance on the tractor. Promptly replace any decals that are damaged, lost or illegible. Clean the decals if they are covered by mud or debris.

The tractor must only be used by responsible personnel, trained in tractor use and authorized to operate the tractor.

Use caution when operating the tractor on slopes. Raised equipment, full tanks and other loads will change the center of gravity of the tractor. The tractor can tip or roll over when near ditches and embankments or uneven surfaces.

Avoid using the tractor in unsuitable physical conditions, stop work instead.

Never permit anyone other than the operator to ride on the tractor.

Never operate the tractor under the influence of alcohol, drugs, or while otherwise impaired.

When digging or using ground engaging attachments be aware of buried cables. Contact local utilities to determine the locations of services.

Pay attention to overhead power lines and hanging obstacles. High voltage lines may require significant clearance for safety.

Hydraulic oil or diesel fuel leaking under pressure can penetrate the skin, causing serious injury or infection.

- DO NOT use your hand to check for leaks. Use a piece of cardboard or paper.
- Stop engine, remove key and relieve the pressure before connecting or disconnecting fluid lines.
- Make sure all components are in good condition and tighten all connections before starting the engine or pressurizing the system.
- If hydraulic fluid or diesel fuel penetrates the skin, seek medical attention immediately.
- Continuous long term contact with hydraulic fluid may cause skin cancer. Avoid long term contact and wash the skin promptly with soap and water.
- Before removing any hydraulic tubing, check that the system is not pressurized.

Do not alter the calibration of the pressure relief valves in the various hydraulic circuits (steering, hydraulic lift, auxiliary distributors, etc.).

Keep clear of moving parts. Loose clothing, jewelry, watches, long hair, and other loose or hanging items can become entangled in moving parts.

Wear protective equipment when appropriate.

DO NOT attempt to remove material from any part of the tractor while it is being operated or components are in motion.

Make sure all guards and shields are in good condition and properly installed before operating the tractor. Never operate the tractor with shields removed. Always close access doors or panels before operating the tractor.

Enter and leave the tractor using the steps and handles provided. Dirty or slippery steps, ladders, walkways, and platforms can cause falls. Make sure these surfaces remain clean and clear of debris.

A person or pet within the operating area of a tractor can be struck or crushed by the tractor or its equipment. DO NOT allow anyone to enter the work area.

Raised equipment and/or loads can fall unexpectedly and crush persons underneath. Never allow anyone to enter the area underneath raised equipment during operation.

Never operate engine in enclosed spaces as harmful exhaust gases may build up.

INTRODUCTION

Before starting the tractor, be sure that all controls are in neutral or park lock position.

Before starting the engine, make sure that all attached implements are lowered to the ground.

Start the engine only from the operator's seat. If the safety start switch is bypassed, the engine can start with the transmission in gear. Do not connect or short across terminals on the starter solenoid. Attach jumper cables as described in the manual. Starting in gear may cause death or serious injury.

Always keep windows, mirrors, all lighting, and Slow Moving Vehicle (SMV) emblem clean to provide the best possible visibility while operating the tractor.

Operate controls only when seated in the operator's seat, except for those controls expressly intended for use from other locations.

Before leaving the tractor:

1. Park tractor on a firm level surface.
2. Put all controls in neutral or park lock position.
3. Engage park brake. Use wheel chocks if required.
4. Lower all hydraulic equipment — Implements, header, etc.
5. Turn off engine and remove key.

When, due to exceptional circumstances, you would decide to keep the engine running after leaving the operator's station, then the following precautions must be followed:

1. Bring the engine to low idle speed.
2. Disengage all drive systems.

3. **⚠ WARNING**

**Some components may continue to run down after you disengage drive systems.
Make sure all drive systems are fully disengaged.
Failure to comply could result in death or serious injury.**

W0113A

Shift the transmission into neutral.

4. Apply the parking brake.

⚠ Using the tractor ⚠

1. Select the most suitable wheel setting for the work in hand, i.e.: the setting that provides the best stability.
2. Depress the speed control pedal slowly: if engaged too quickly, especially when the tractor is getting out of a hole, ditch or operating on muddy ground or steep slopes, the tractor may overturn.

Release the speed control pedal immediately if front wheels begin to lift.

3. When traveling downhill, keep the tractor in gear. Never place shuttle shift lever in the neutral position.
4. When the tractor is moving, the operator must remain correctly seated in the driving position.
5. Never get on or off the tractor while in movement.
6. When using the brakes, press the pedal down slowly.
7. Avoid taking turns at high speeds.
8. Always use the tractor at a speed that will guarantee safe operation on the type of land being worked. When working on uneven ground, use maximum care to ensure proper stability.
9. If you have to work with the tractor on a gradient, for example on hillsides, drive at moderate speed especially when taking turns.
10. Proceed with maximum caution when working with the wheels near the edge of ditches or slopes.
11. When driving on public highways, observe the Highway Code.

⚠ General maintenance safety ⚠

Keep area used for servicing the tractor clean and dry. Clean up spilled fluids.

Service tractor on a firm level surface.

Install guards and shields after servicing the tractor.

Close all access doors and install all panels after servicing the tractor.

Do not attempt to clean, lubricate, clear obstructions or make adjustments to the tractor while it is in motion or while the engine is running.

Always make sure working area is clear of tools, parts, other persons and pets before you start operating the tractor.

INTRODUCTION

Unsupported hydraulic cylinders can lose pressure and drop the equipment causing a crushing hazard. Do not leave equipment in a raised position while parked or during service, unless securely supported.

Jack or lift the tractor only at jack or lift points indicated in this manual.

Incorrect towing procedures can cause accidents. When towing a disabled tractor follow the procedure in this manual. Use only rigid tow bars.

Stop the engine, remove key and relieve pressure before disconnecting or connecting fluid lines.

Stop the engine and remove key before disconnecting or connecting electrical connections.

Scalding can result from incorrect removal of coolant caps. Cooling system operates under pressure. Hot coolant can spray out if a cap is removed while the system is hot. Allow system to cool before removing cap. When removing a cap turn it slowly to allow pressure to escape before completely removing the cap.



SERVICE MANUAL

Engine

Engine - Remove

Prior operation:

Drain fluid **Hydrostatic transmission - Change fluid (29.202)**

Prior operation:

Drain fluid **Mechanical transmission - Change fluid (21.114)**

Prior operation:

Hood - Remove (90.100)

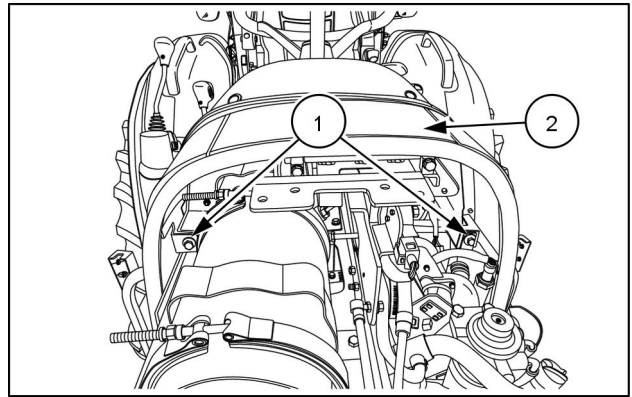
Prior operation:

Radiator - Remove (10.400)

NOTE: Cap off all hydraulic and fuel fittings or tubes to prevent contamination.

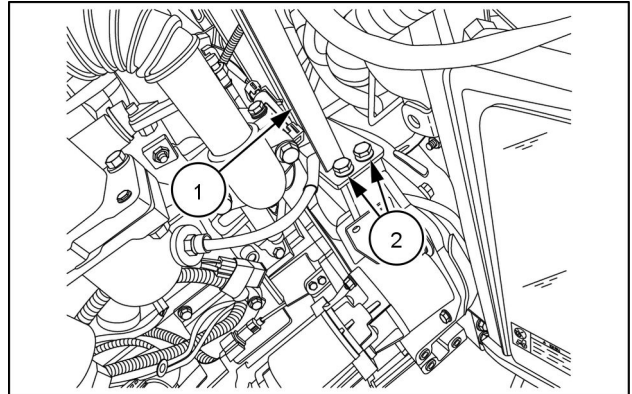
NOTE: Note the placement of cable ties for reassembly.

1. Remove the two M8 flange bolts (1) securing the rear cowling.
2. Remove the rear cowling (2).

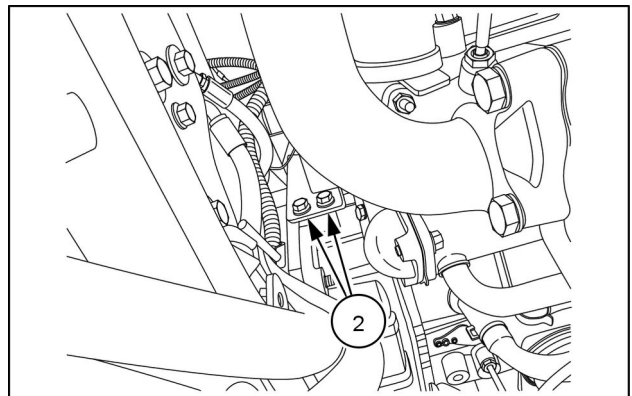


NHIL16CT01367AA 1

3. Remove the four M10 bolts (2) that mount the hood support bracket (1) to the flywheel housing.

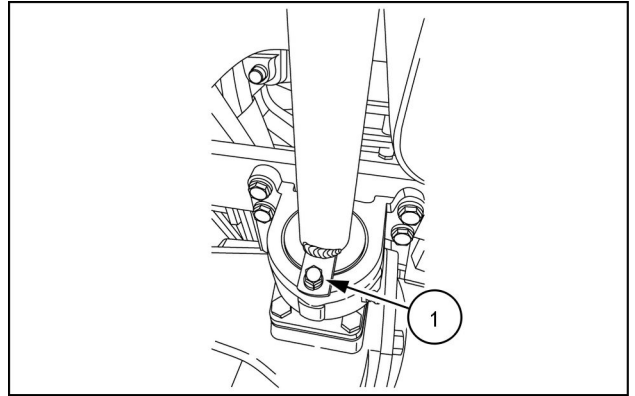


NHIL16CT01398AA 2



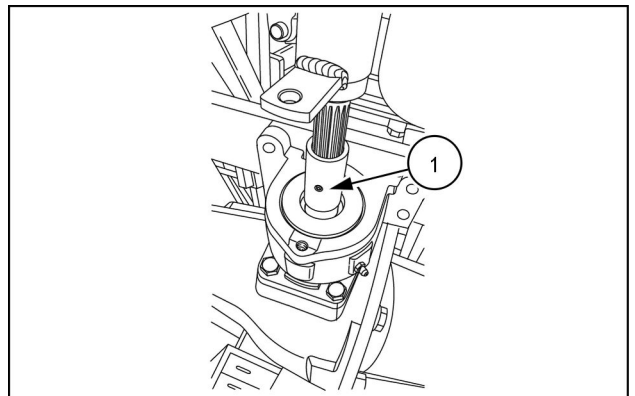
NHIL16CT01400AA 3

4. Remove the M8 bolt (1) in the front of the Four Wheel Drive (FWD) guard tube.
5. Slide the guard tube rear-ward.



NHIL16CT01006AA 4

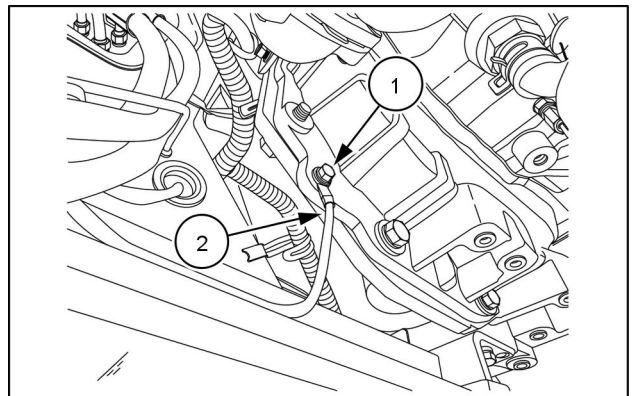
6. Use a roll pin punch and a hammer and drive the roll pin (1) through the coupler.
7. Slide the coupler rear-ward.



NHIL16CT00679AA 5

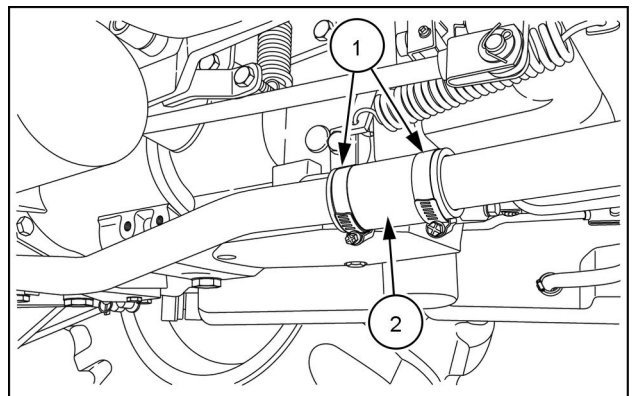
Right-hand side

8. Remove the M6 bolt (1) and remove the ground wire (2) from the bell housing.



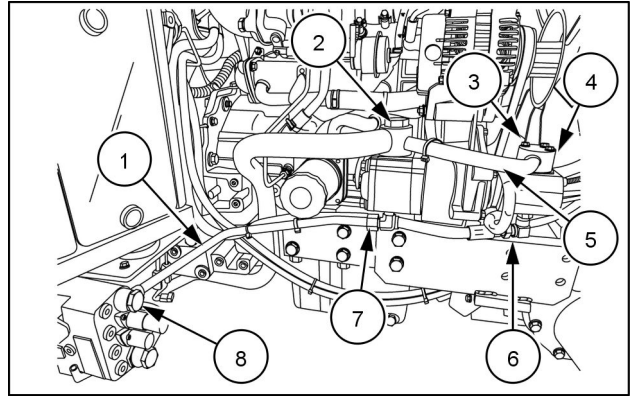
NHIL16CT01383AA 6

9. Loosen the hose clamps (1) and slide the suction tube coupler (2) rear-ward.

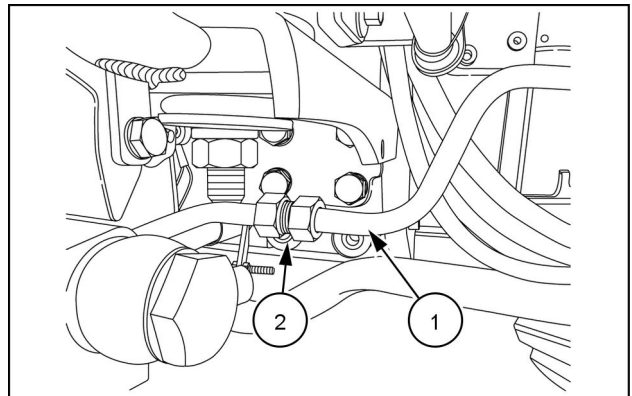


NHIL16CT00550AA 7

10. Remove the banjo bolt **(2)** from the main hydraulic pump.
11. Remove the three M6 bolts **(3)** from the steering pump suction fitting **(4)**.
12. Remove the suction tube **(5)**.
13. Disconnect the main hydraulic pump outlet pipe **(7)**.
14. For Roll Over Protective Structure (ROPS) tractor:
 1. Disconnect the steering pump outlet hose **(6)**. Cap off the hose and route the hose away from the engine.
15. For mechanical transmissions:
 1. Remove the banjo bolt **(8)** from the Mid Mount Valve (MMV) pressure port.
 2. Remove the main hydraulic pump outlet pipe **(1)** from the MMV.
16. For Hydro-Static Transmissions (HST):
 1. Remove the main hydraulic pump outlet pipe **(1)** from the union fitting **(2)**.



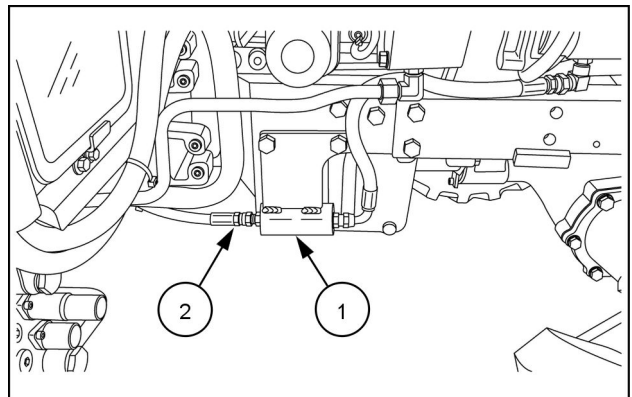
NHIL16CT01377AA 8



NHIL15CT00802AA 9

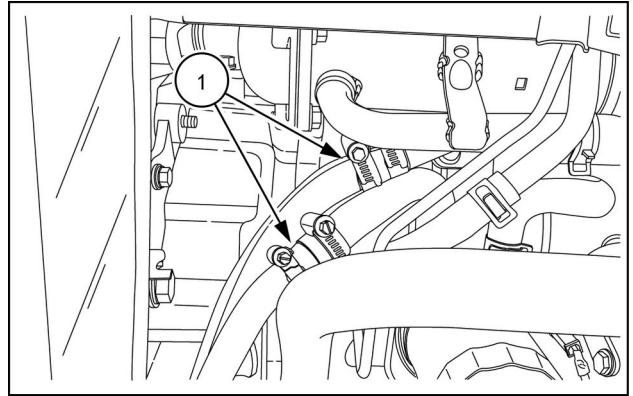
Cab tractor only

17. Disconnect the steering pressure hose **(2)** at the back side of the resonator **(1)**. Cap off the hose and route the hose away from the engine.



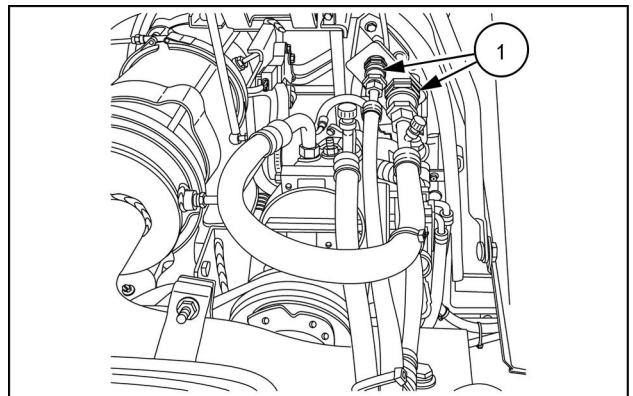
NHIL17CT00216AA 10

18. Disconnect the two heater coolant hoses (1) on the right side of the machine.



NHIL16CT01417AA 11

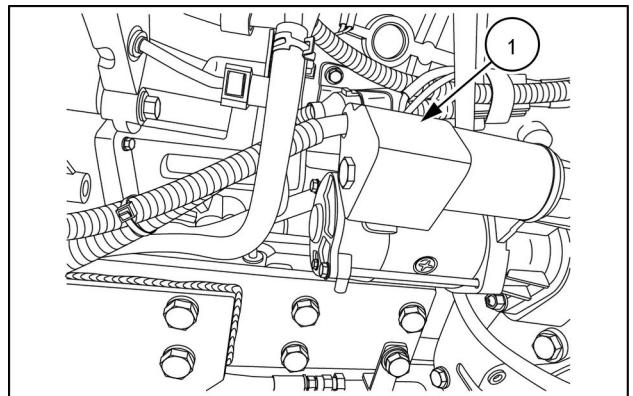
19. Disconnect the air conditioning lines at quick disconnects (1) on the left side of the machine.



NHIL16CT01488AA 12

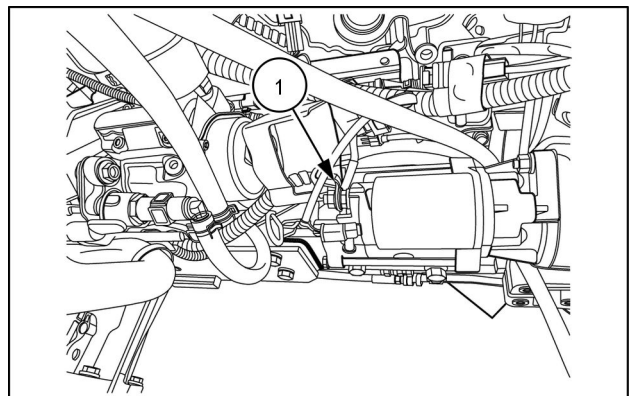
Left-hand side

20. Remove the coated nut and remove the shield (1) from the starter motor solenoid.



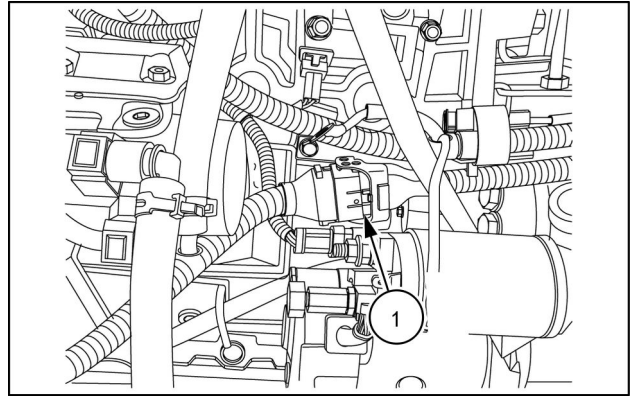
NHIL16CT01381AA 13

21. Remove the M8 flange nut and remove the power cable (1) from the stud.



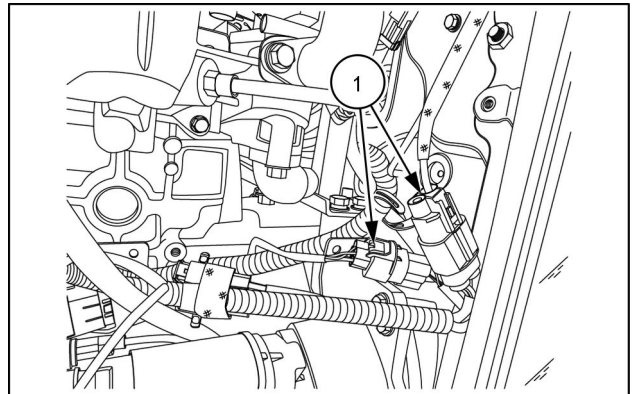
NHIL16CT01385AA 14

22. Disconnect the Engine Control Unit (ECU) electrical connector **(1)** near the middle of the engine crankcase.



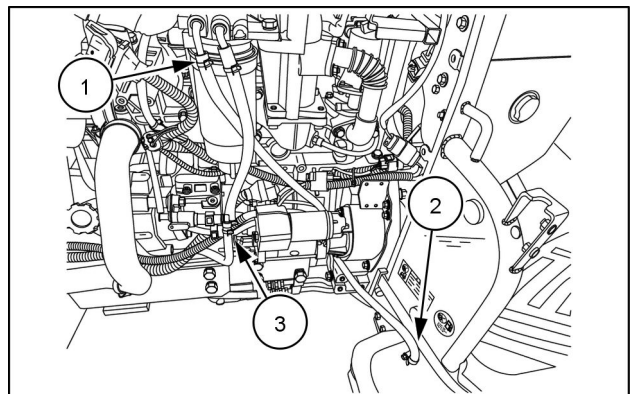
NHIL16CT01386AA 15

23. Disconnect the power and ground electrical connectors **(1)** above the starter motor.



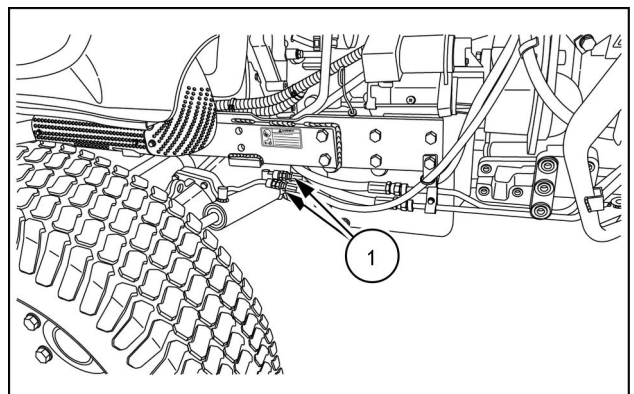
NHIL16CT01387AA 16

24. Disconnect the fuel supply hose **(1)** from the fuel water separator filter to the fuel tank.
25. Disconnect the fuel return hose **(2)** from the high-pressure fuel pump to the right-hand fitting on the fuel cooler.
26. Disconnect the fuel return hose **(3)** from the fuel tank.



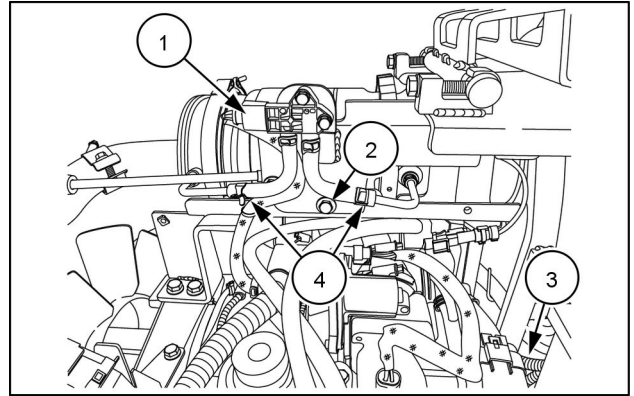
NHIL16CT01379AA 17

27. Disconnect the right-hand and left-hand steering hoses **(1)** at the power steering cylinders.
28. Tie hoses back out of the way toward rear of the tractor.



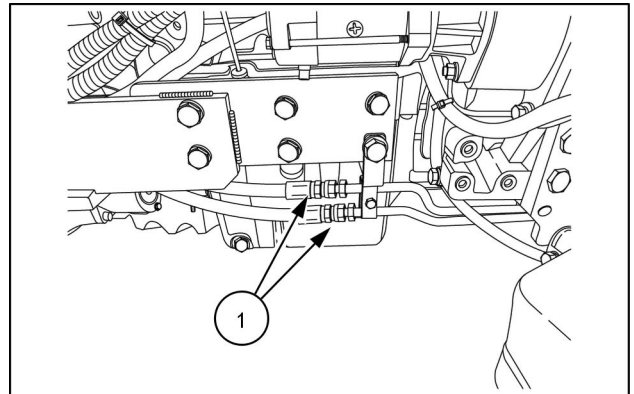
NHIL17CT00004AA 18

29. Disconnect the glow plug electrical connector **(3)**.
30. Remove the M8 bolt **(3)** from the Catalyzed Continuously Regenerating Trap (CCRT) bracket.
31. Disconnect the Differential Pressure Sensor (DPS) input hoses **(4)**.
32. Disconnect the DPS electrical connector **(1)**.



NHIL16CT01399AA 19

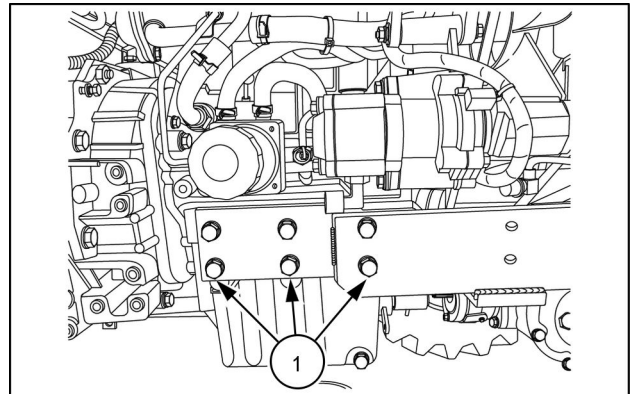
33. For HST transmissions:
 1. Disconnect the two hydraulic oil cooler lines **(1)**.
 2. Route the hydraulic oil cooler hoses toward the front of the tractor.



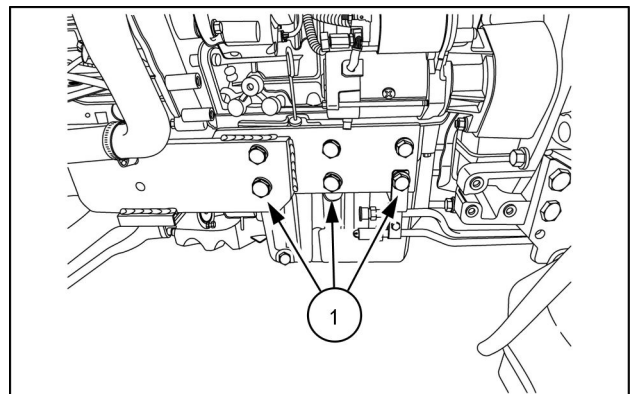
NHIL16CT01380AA 20

Front frame

34. Support the engine and transmission section of the tractor independent of the front frame.
35. Insert wooden wedge blocks between the front frame and front axle housing.
36. Remove the six M14 bolts **(1)** on the right-hand and left-hand sides of the front frame.

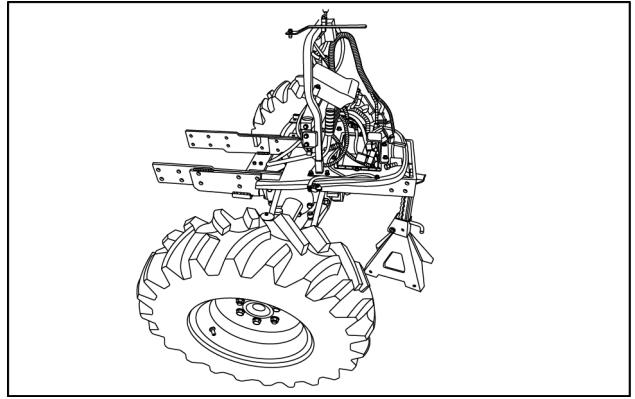


NHIL16CT01397AA 21



NHIL16CT01390AA 22

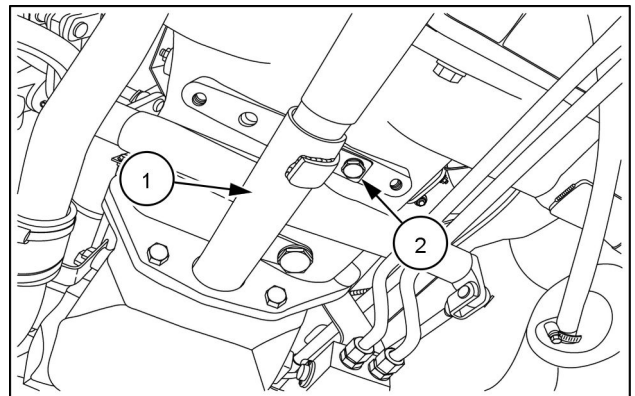
37. Roll the front frame away from the engine. Support the front frame with a jack stand.



NHIL16CT01401AA 23

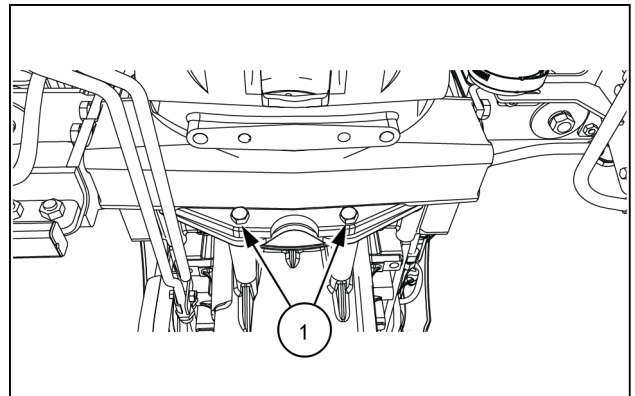
Separating engine from transmission

38. Remove the M10 bolt (2) from the rear Four-Wheel Drive (FWD) guard tube (1).
39. Remove the guard tube (1) and drive-shaft (1).



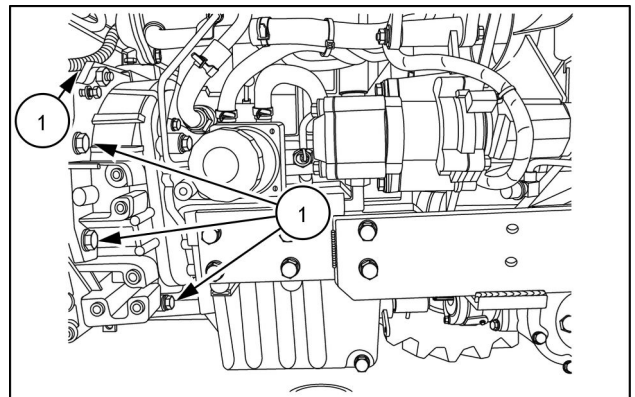
NHIL16CT01376AA 24

40. Support the engine with appropriate lifting equipment.
41. Remove the M12 two bolts (1) on the bottom of the bell housing.



NHIL16CT01038AA 25

42. Remove the four M12 bolts (1) on the right-hand side of machine.

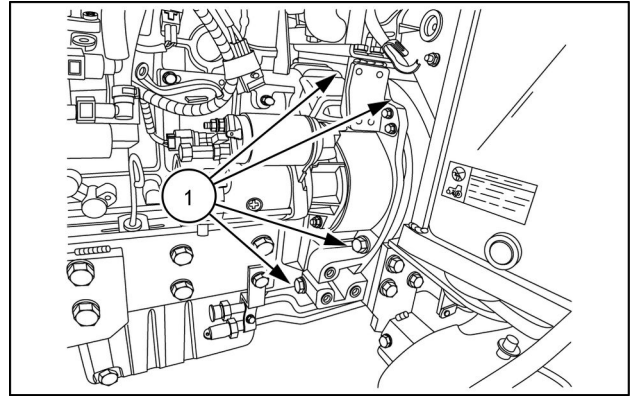


NHIL16CT01397AA 26

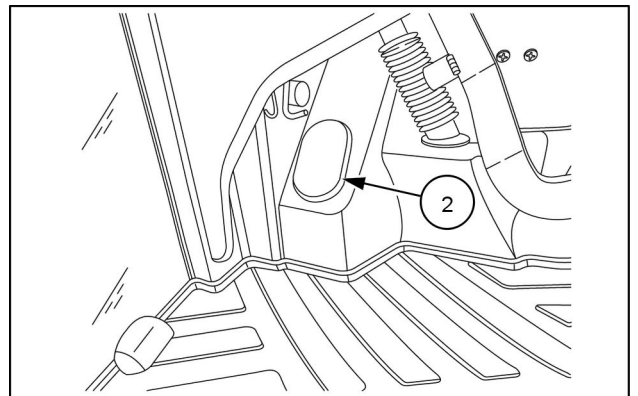
43. Remove the four M12 bolts (1) on the left-hand side of machine..

NOTE: The M12 bolt on the top left-hand side is assessable by removing the rubber plug (2) in the operators station.

44. Pry the engine away from the transmission section.
45. Slide the engine off the input shafts and dowel pins. Separate the engine from the transmission section.



NHIL16CT01391AA 27



NHIL16CT01392AA 28

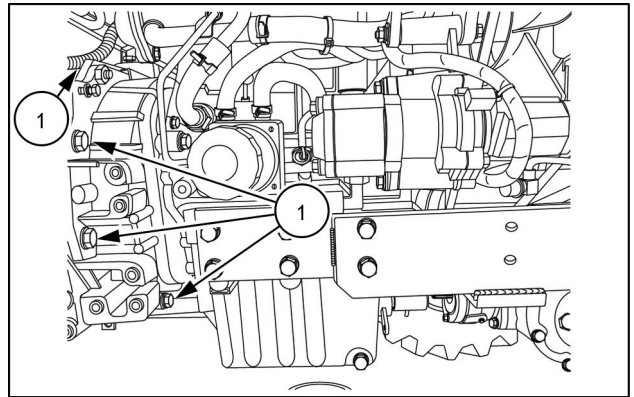
Engine - Install

Joining the engine to the transmission section

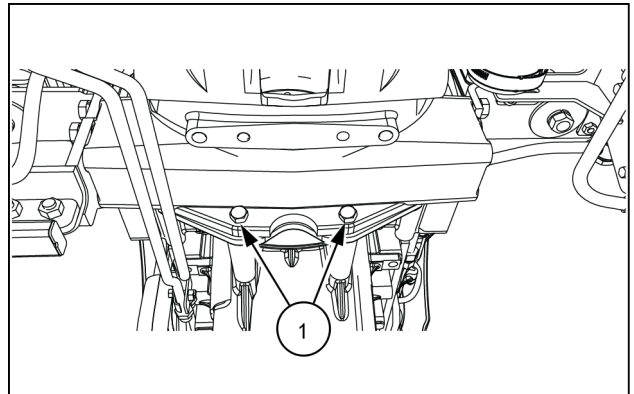
1. Clean the joining surfaces of the engine and the transmission.
2. Slide the engine towards the transmission.
3. Align the engine with the input shafts of the transmission and the dowel pins.
4. Push the engine against the joining surface of the transmission.

NOTE: If the engine will not join completely with the transmission turn the crankshaft slowly to align the engine with the transmission input shaft splines.

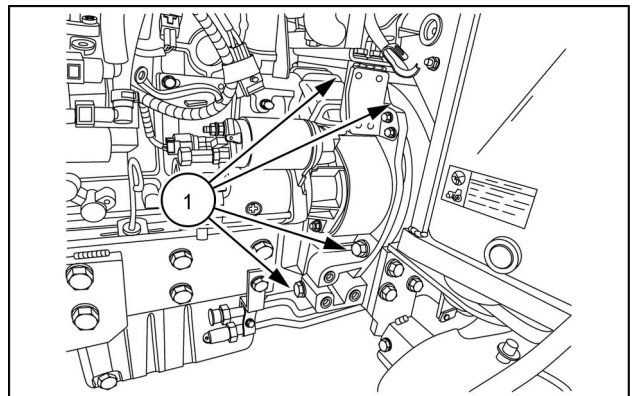
5. Install the ten M12 bolts (1). Torque to **108 N·m (80 lb ft)**



NHIL16CT01397AA 1

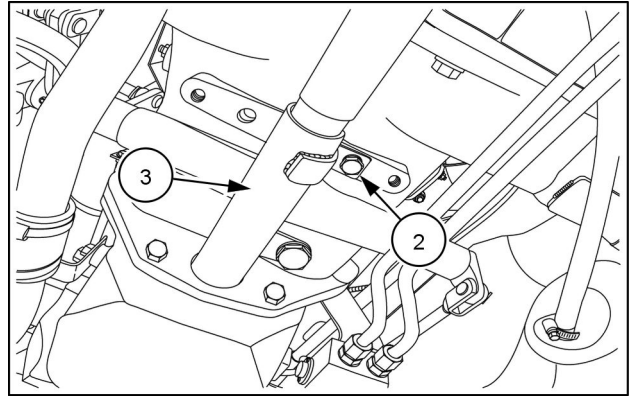


NHIL16CT01038AA 2



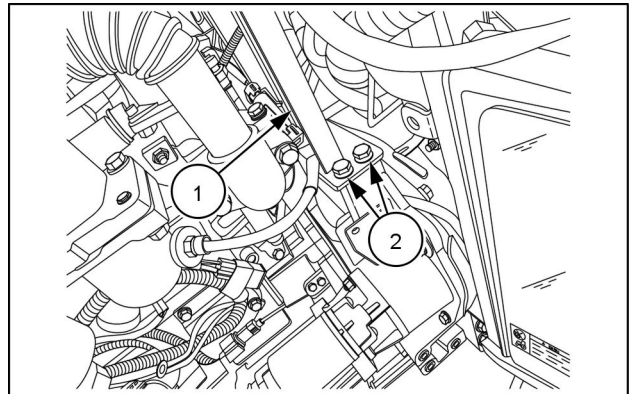
NHIL16CT01391AA 3

6. Install the Front Wheel Drive (FWD) drive shaft (3) and guard tube (3).
7. Install the M10 bolt (1) in the rear of the guard tube.

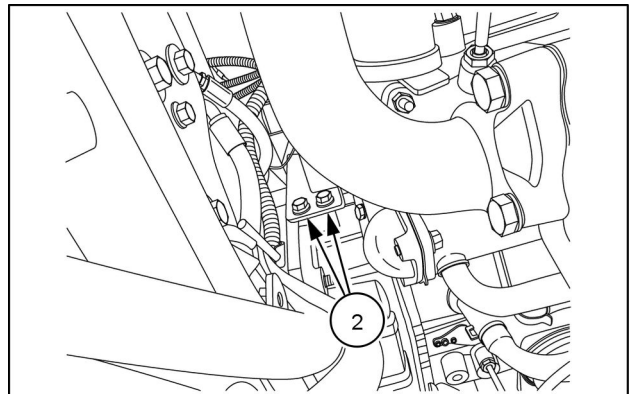


NHIL16CT01376AA 4

8. Position the hood hinge support bracket (1) on the engine bell-housing.
9. Install the four M10 bolts (2) from the hood hinge support bracket. Tighten the hardware.



NHIL16CT01398AA 5

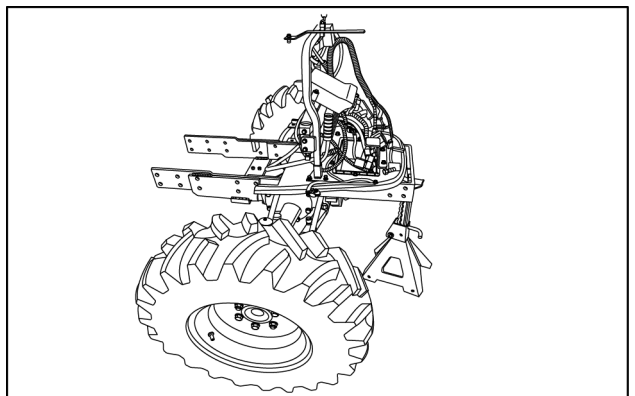


NHIL16CT01400AA 6

Joining the front frame to engine

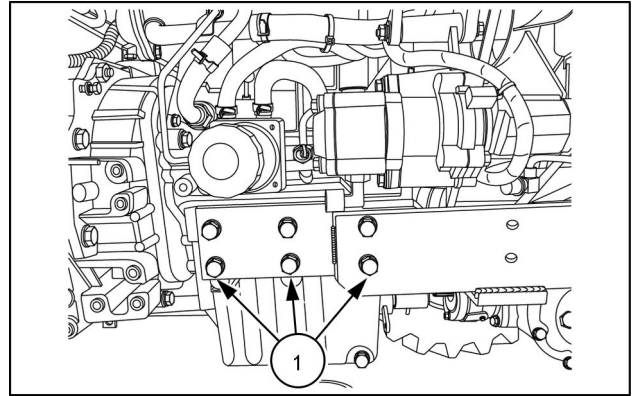
10. Roll the front frame into position.

NOTE: Be sure the drive shaft coupler is installed on the forward section of the drive shaft.

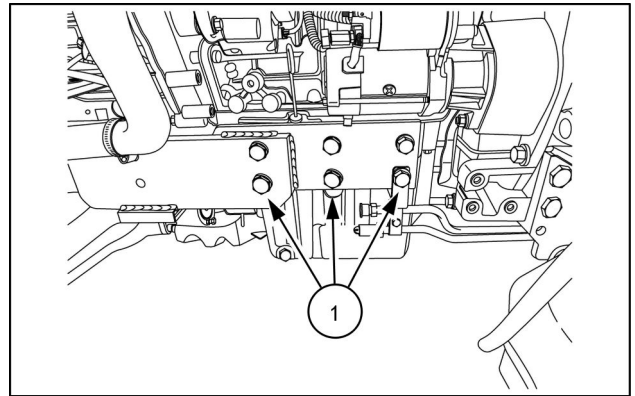


NHIL16CT01401AA 7

11. Install the six M14 bolts **(1)** on the right-hand and left-hand sides of the front frame.
12. Torque the M14 bolts to **140 N·m (103 lb ft)**
13. Remove the wooden wedge blocks between the front frame and the front axle housing.
14. Remove the support stands.

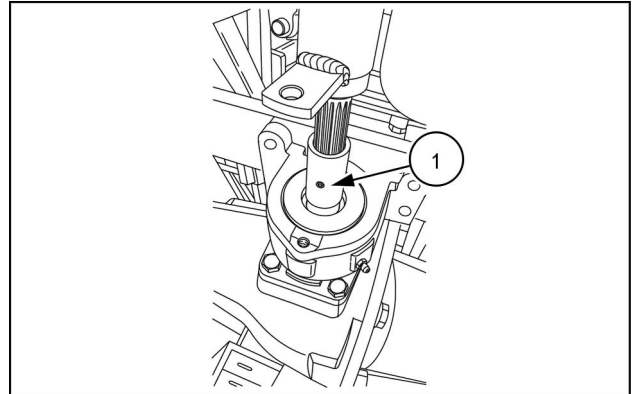


NHIL16CT01397AA 8



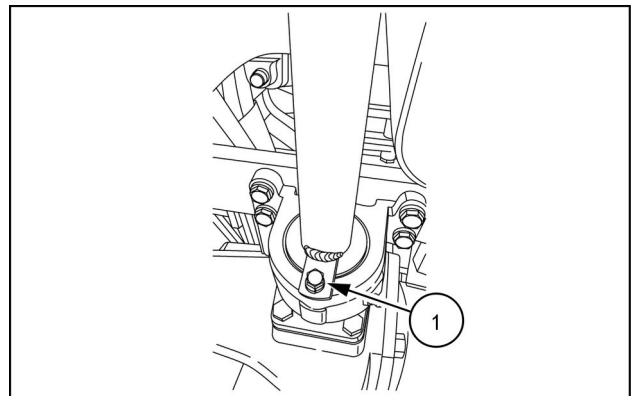
NHIL16CT01390AA 9

15. Center the FWD coupler **(1)** on the drive shaft and front axle input shaft.
16. Install the roll-pin in the coupler.



NHIL16CT00679AA 10

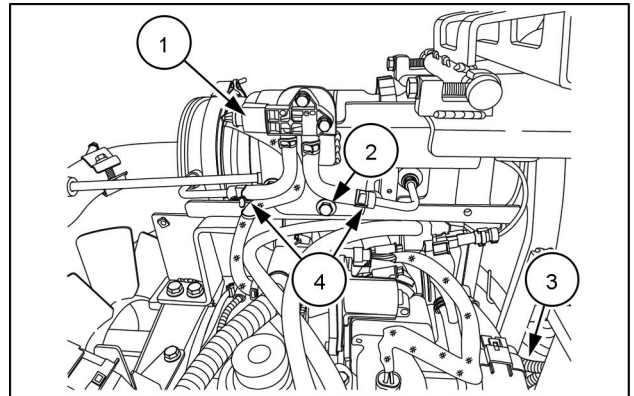
17. Slide the guard tube forward and secure the guard tube to the front axle housing using the M8 bolt **(1)**. Tighten the hardware.



NHIL16CT01006AA 11

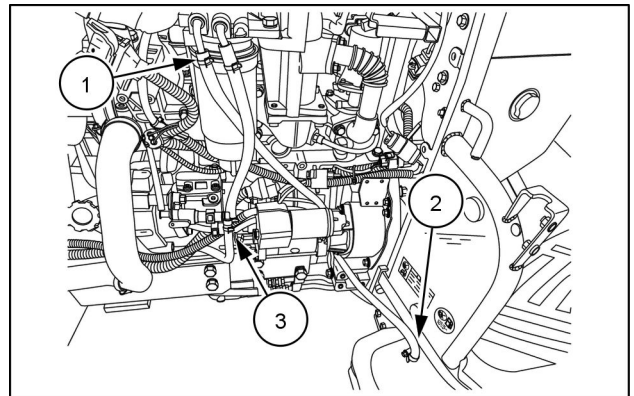
Left-hand side

18. Connect the Differential Pressure Sensor (DPS) electrical connector **(1)**.
19. Connect the DPS input hoses **(4)**.
20. Install the M8 bolt **(2)** from the Catalyzed Continuously Regenerating Trap (CCRT) bracket. Tighten the hardware.
21. Connect the glow plug electrical connector **(3)**.



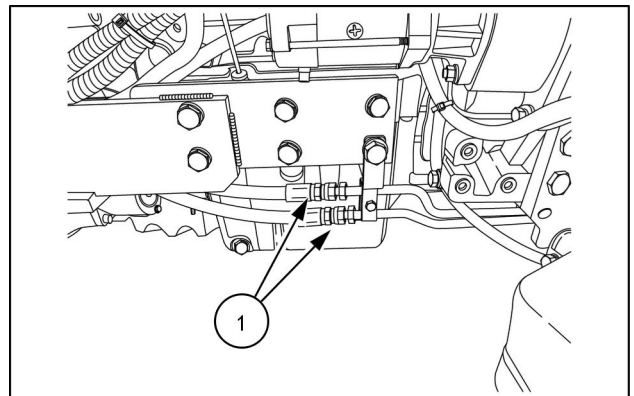
NHIL16CT01399AA 12

22. Connect the fuel return hose **(2)** from the fuel tank.
23. Connect the fuel return hose **(3)** from the right-hand fitting on the fuel cooler to the high-pressure fuel pump return fitting.
24. Connect the fuel supply hose **(1)** from the fuel tank to the fuel water separator filter.



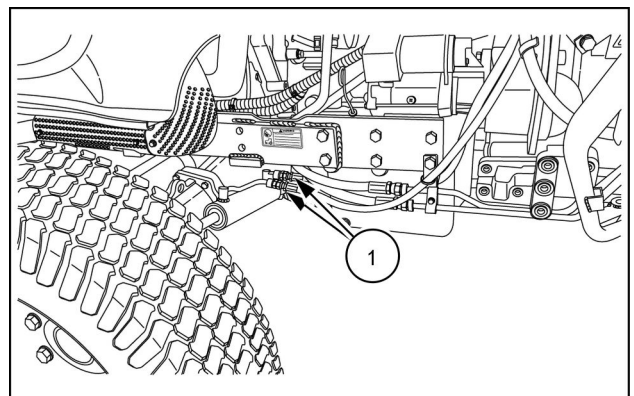
NHIL16CT01379AA 13

25. For Hydrostatic Transmission (HST):
 1. Route the hydraulic oil cooler hoses toward the oil cooler steel lines.
 2. Connect the two hydraulic oil cooler lines **(1)**. Tighten the fittings.



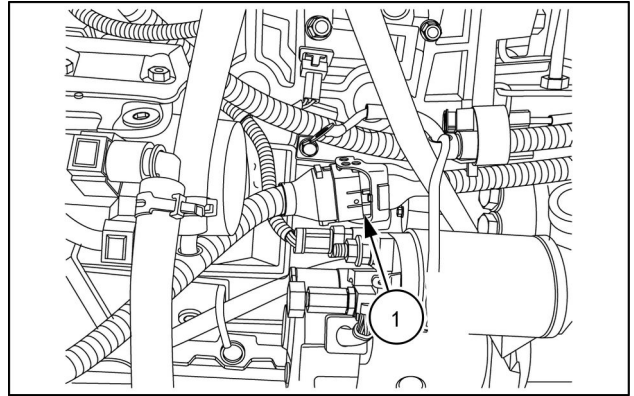
NHIL16CT01380AA 14

26. Connect the right-hand and left-hand steering hoses **(1)** at the power steering cylinders. Tighten fittings



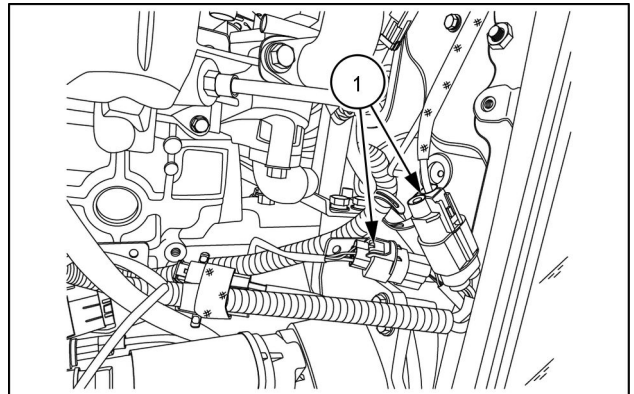
NHIL17CT00004AA 15

27. Connect the Engine Control Unit (ECU) electrical connector (1) near the middle of the engine crankcase.



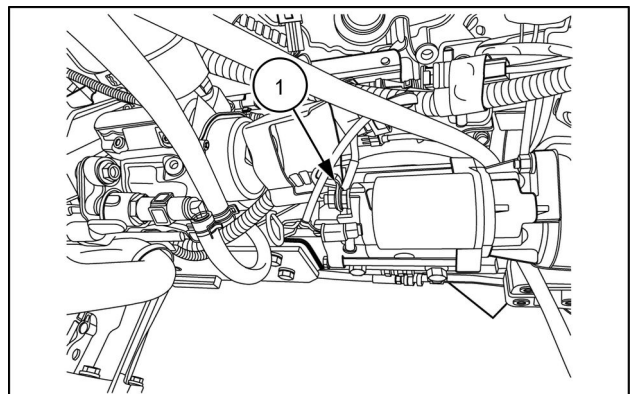
NHIL16CT01386AA 16

28. Connect the power and ground electrical connectors (1) above the starter motor.



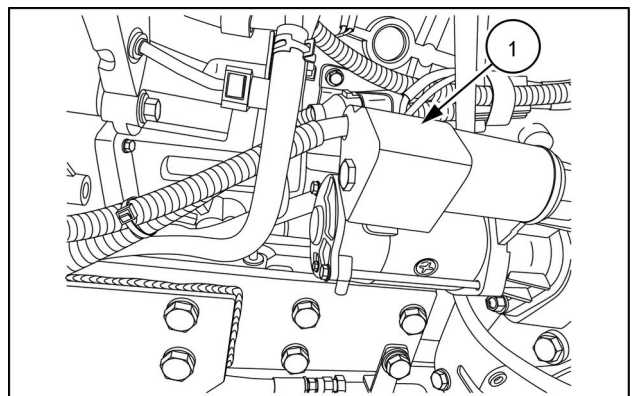
NHIL16CT01387AA 17

29. Install the power wire (1) on the M8 stud on the starter motor solenoid.
30. Install the M8 nut on the start motor solenoid. Tighten the hardware.



NHIL16CT01385AA 18

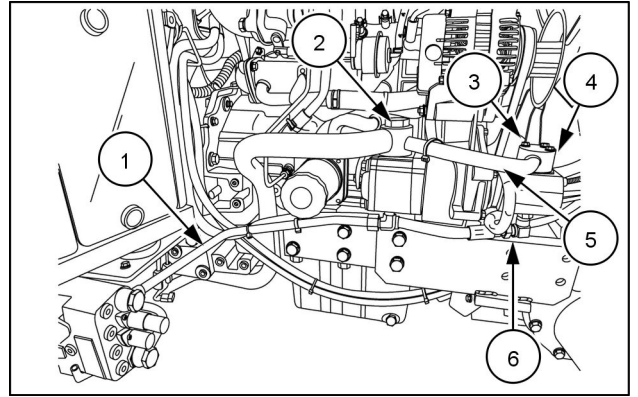
31. Install the starter motor solenoid shield (1).



NHIL16CT01381AA 19

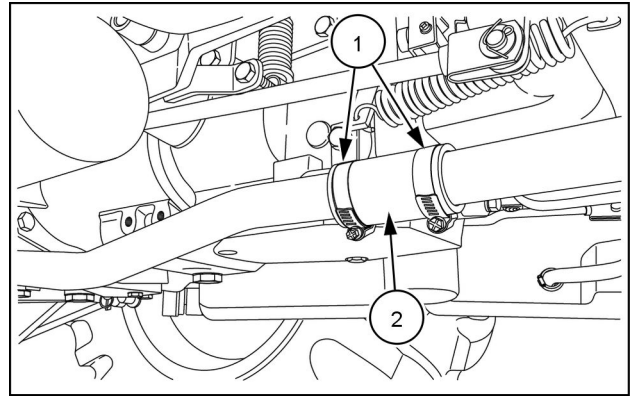
Right-hand side

32. Position the suction tube **(5)** on the hydraulic pumps.
33. Install the three M6 bolts **(3)** on the steering pump suction fitting **(4)**. Tighten the hardware.
34. Install the banjo bolt **(2)** on the main hydraulic pump using new sealing washers. Tighten the secure line to banjo bolt.
35. For Roll Over Protective Structure (ROPS) tractor:
 1. Connect the steering pump outlet hose **(6)**. Tighten the fitting.



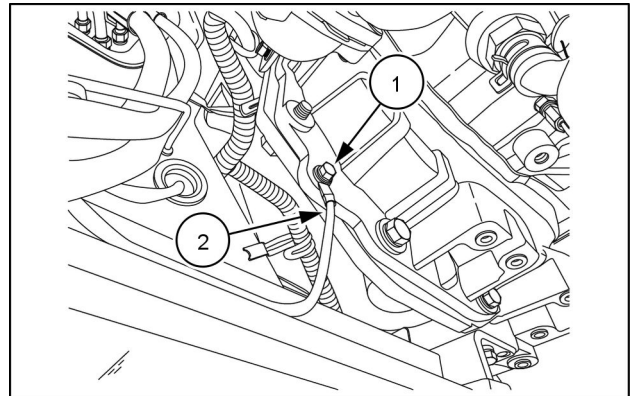
NHIL16CT01377AA 20

36. Position the suction tube coupler **(2)** so both suction tube ends are connected. Tighten the clamps **(1)**.



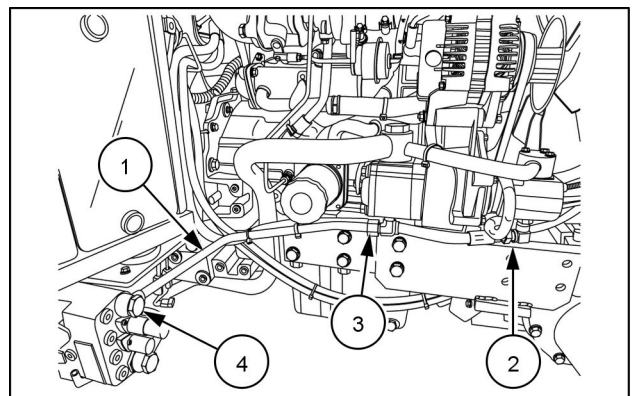
NHIL16CT00550AA 21

37. Attach the ground wire **(2)** to the bell housing by using the M6 bolt **(1)**. Tighten the hardware.



NHIL16CT01383AA 22

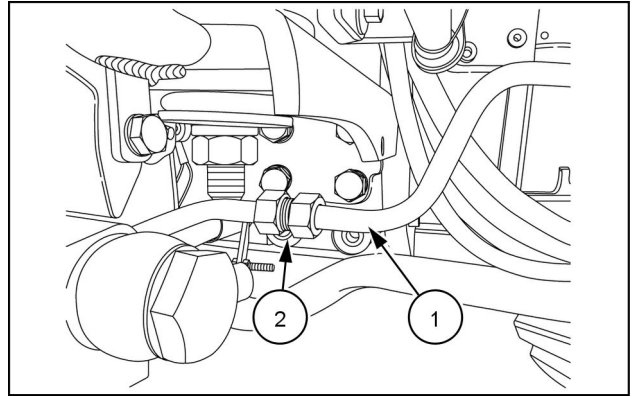
38. For mechanical transmissions:
 1. Install the main hydraulic pump outlet pipe **(1)** to the hydraulic pump **(3)**. Don not tighten fitting at this time.
 2. Install the banjo bolt **(4)** to secure line to the Mid Mount Valve (MMV).
 3. Tighten banjo bolt at MMV and fitting at hydraulic pump at this time.



NHIL16CT01377AA 23

39. For Hydrostatic Transmission (HST):

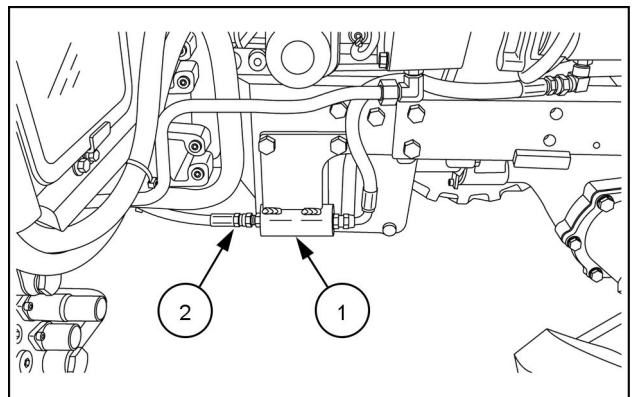
1. Connect the main hydraulic pump outlet pipe (1) to the union fitting (2). Tighten fitting



NHIL15CT00802AA 24

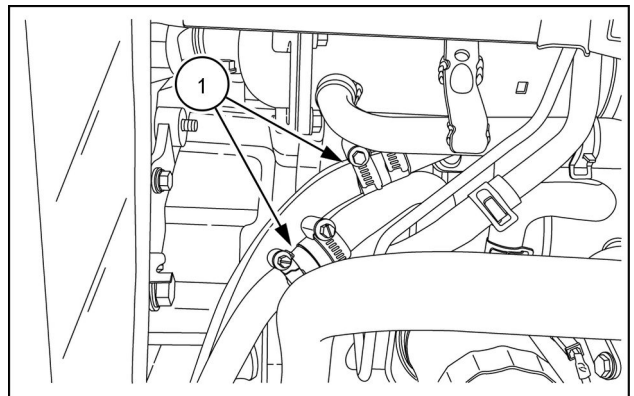
Cab tractor only

40. Connect the steering pressure hose (2) at the back side of the resonator (1). Tighten the fitting.



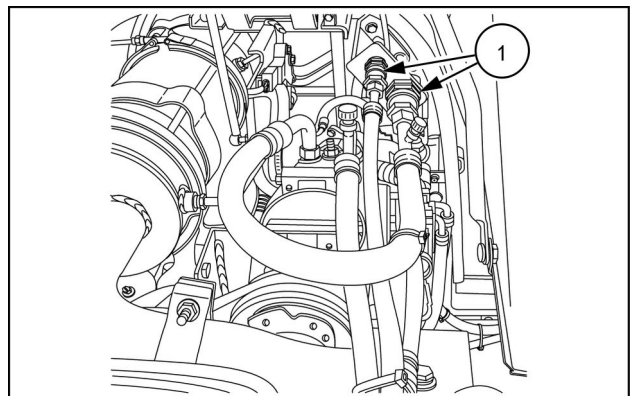
NHIL17CT00216AA 25

41. Connect the two heater coolant hoses (1), located on the right-hand side of the machine.



NHIL16CT01417AA 26

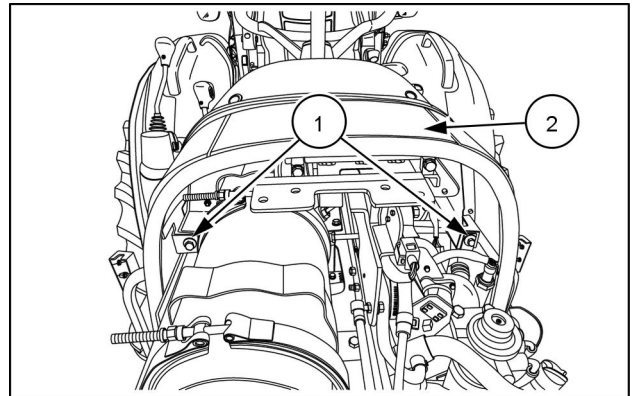
42. Disconnect the air conditioning lines at quick disconnects (1), located on the left-hand side of the machine.



NHIL16CT01488AA 27

Final Assembly

43. Position the rear cowling (2) .
44. Install the two M8 bolts (1). Tighten the hardware.



NHIL16CT01367AA 28

Next operation:

Radiator - Install (10.400)

Next operation:

Hood - Install (90.100)

Next operation:

Refill transmission with oil. **Hydrostatic transmission - Change fluid (29.202) / Mechanical transmission - Change fluid (21.114)**



Suggest:

If the above button click is invalid.

Please download this document

first, and then click the above link

to download the complete manual.

Thank you so much for reading

Engine - Change fluid - Oil and filter

⚠ CAUTION

Burn hazard!

Do not handle any service fluid (engine coolant, engine oil, hydraulic oil, etc.) at temperatures that exceed 49 °C (120 °F). Allow fluids to cool before proceeding.
Failure to comply could result in minor or moderate injury.

C0107B

⚠ WARNING

Jack stands can slip or fall over. Dropping, tipping, or slipping of machine or its components is possible.

DO NOT work under a vehicle supported by jack stands only. Park machine on a level surface. Block wheels. Support machine with safety stands.

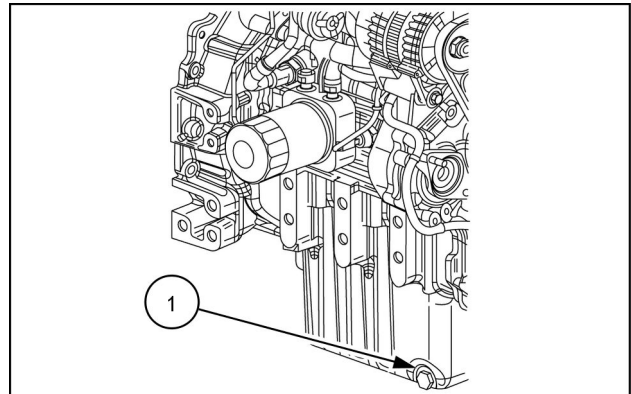
Failure to comply could result in death or serious injury.

W0069A

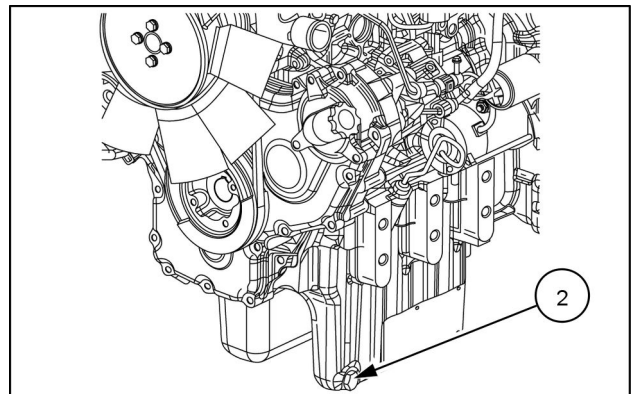
NOTE: Change the engine oil and filter after the first 50 hours of operation, then every 300 hours thereafter. If the tractor is in operation for extended periods at maximum rated power and speed, or under other types of continuous, severe operating conditions, change the engine oil, and filter at 200-hour intervals following the initial oil change.

To change the engine oil, do the following:

1. Place a suitable container beneath the drain opening to catch the used oil. With the tractor engine off but at normal operating temperature, remove the two drain plugs, (1) and (2), located on both sides of the engine oil pan. Install the plugs after draining the oil.



NHIL16CT00447AA 1



NHIL16CT00449AA 2

<https://www.ebooklibonline.com>

Hello dear friend!

Thank you very much for reading.

Enter the link into your browser.

The full manual is available for immediate download.

<https://www.ebooklibonline.com>