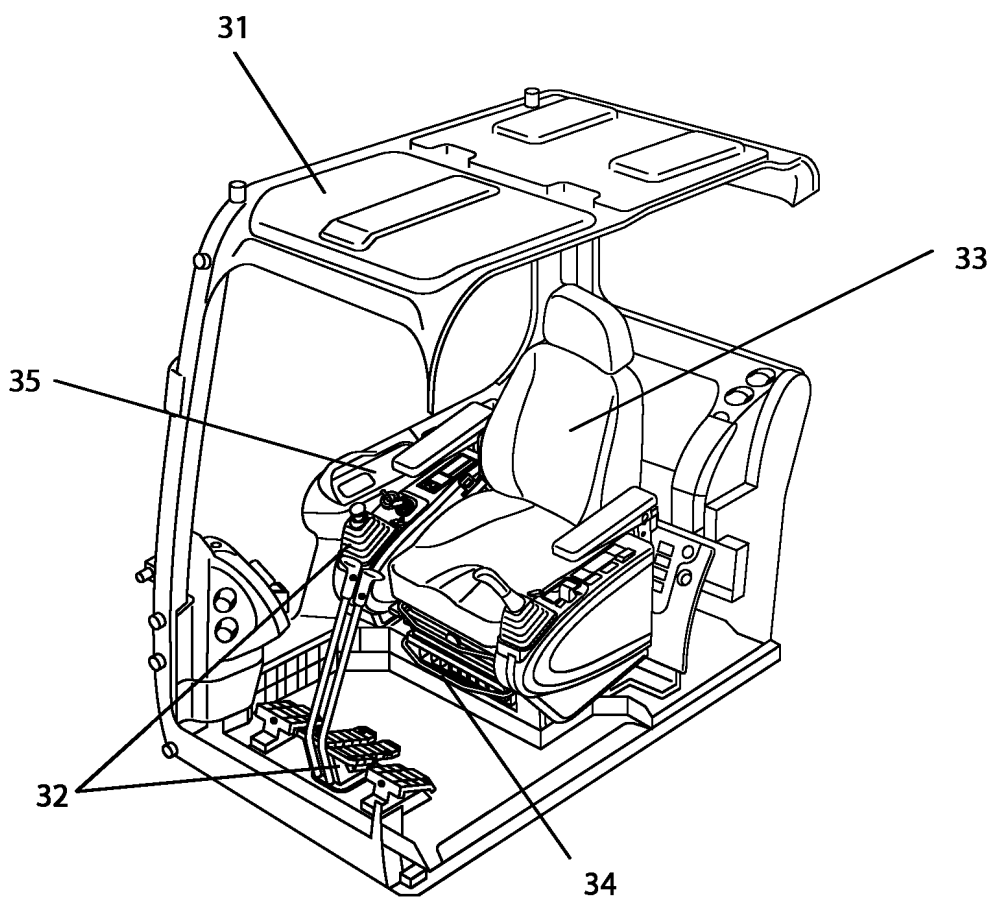
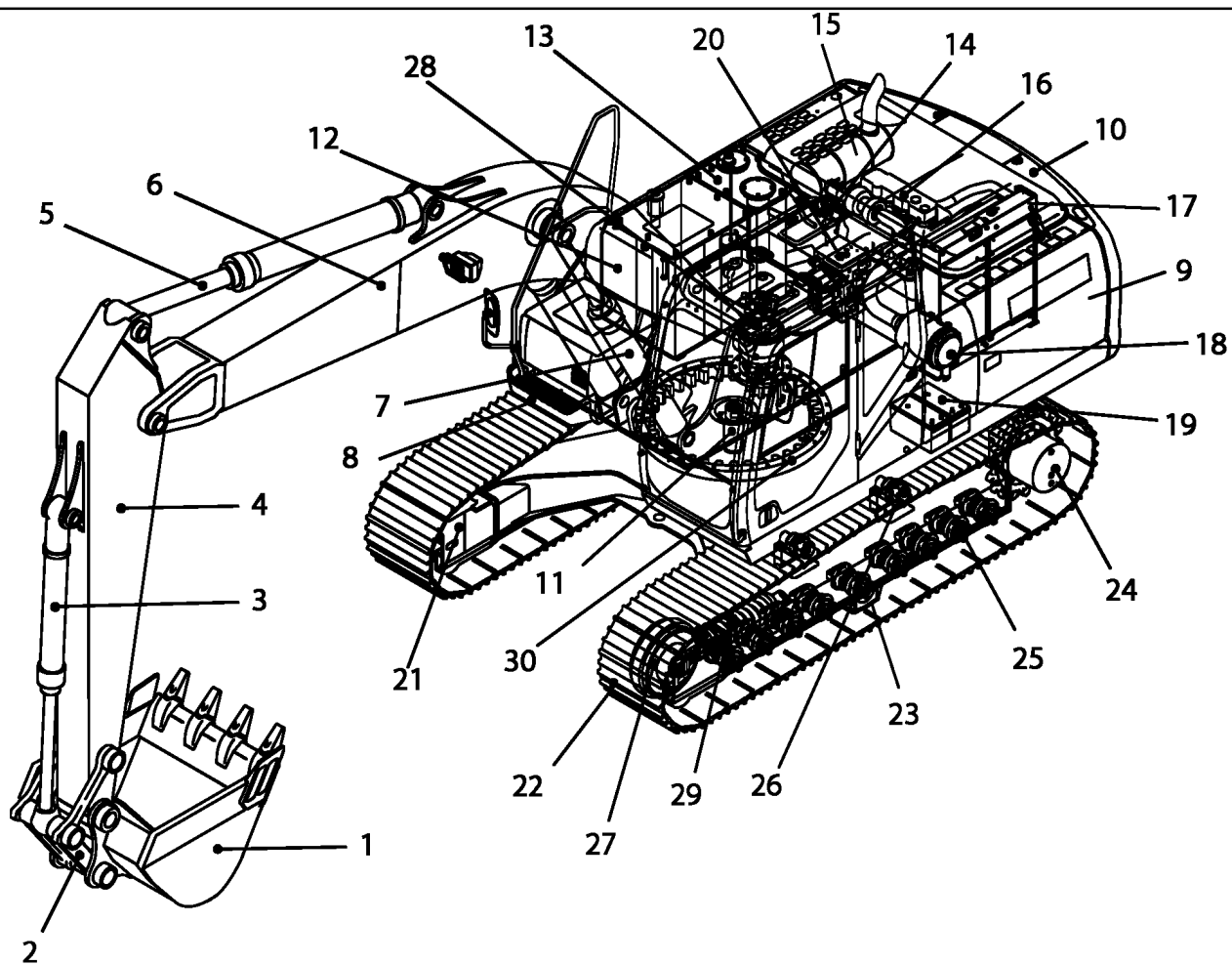




PARTS CATALOGUE

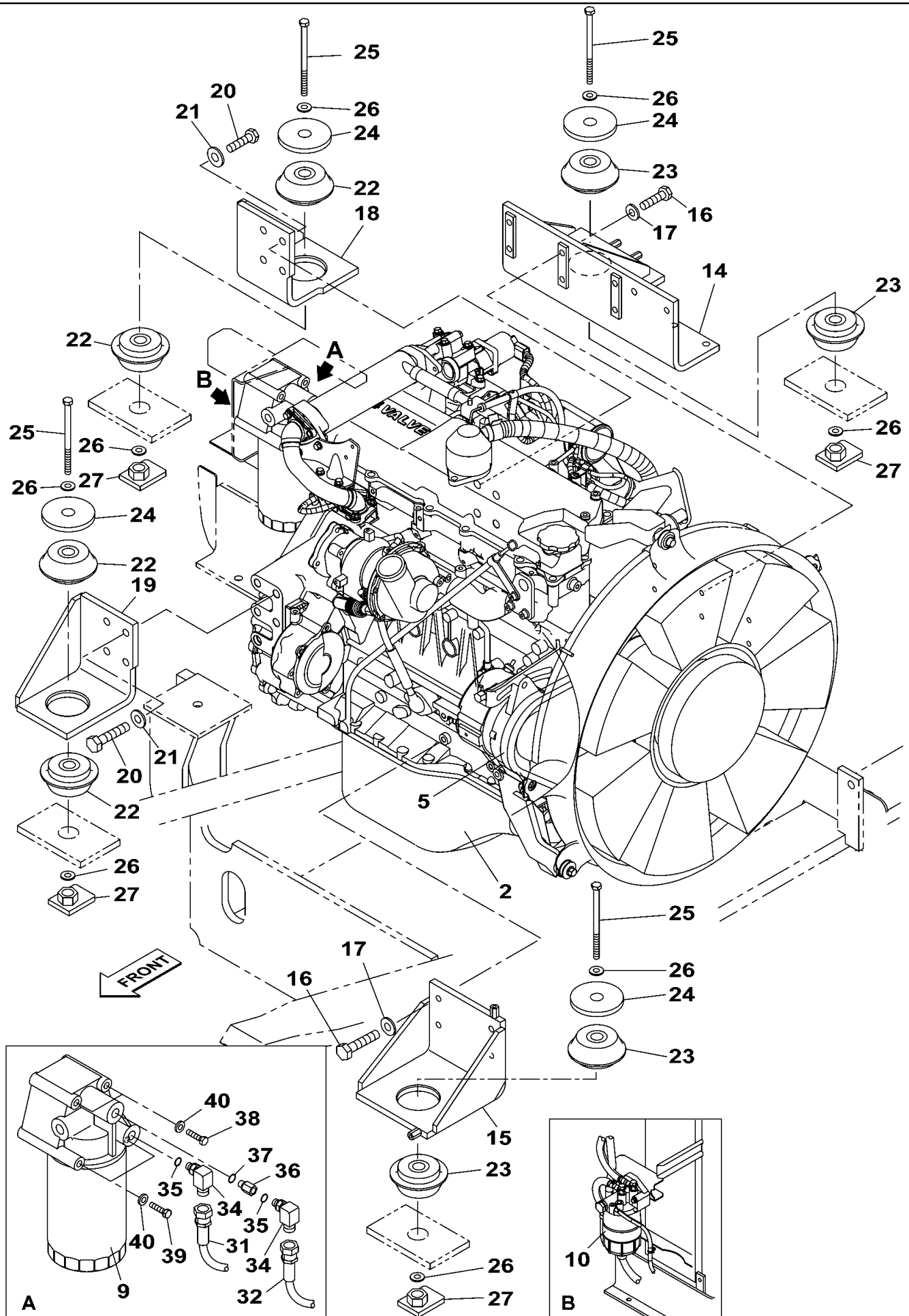
CRAWLER EXCAVATOR
CX290B



CX290B CRAWLER EXCAVATOR - TIER III (EUROPE) (1/07-)

00-001-00(01) COMPONENT INDEX

Ref	Part Number	Qty	Description
1		1	BUCKET - See Figures 09-310-00 01 To 09-315-00 01
2		1	BUCKET CONTROL See Figure 09-300-00 01
3		1	BUCKET CYLINDER - See Figures 08-020-00 01, 08-303-00 01
4		1	DIPPER - See Figures 09-200-00 01
5		1	DIPPER CYLINDER - See Figures 08-018-00 01, 08-019-00 01, 08-302-00 1, 08-302-001 01
6		1	MONOBLOCK BOOM - See Figures 09-100-00 01, 09-100-01 01
7		1	BOOM CYLINDER - See Figures 08-012-00 01 To 08-016-00 01, 08-300-00 01 To 08-301-01 01
8		1	UPPERSTRUCTURE CHASSIS - See Figures 09-002-00 01, 09-003-00 01
9		1	COWLING - See Figures 09-005-00 01 To 09-008-01 01
10		1	COUNTERWEIGHT - See Figure 09-004-00 01
11		1	SWING JOINT - See Figure 07-010-00 01
12		1	FUEL TANK, FUEL SYSTEM - See Figures 03-001-00 01 To 03-042-01 01
13		1	HYDRAULIC RESERVOIR, HYDRAULIC SYSTEM - See Figures 08-001-00 01, 08-004-00 01 To 08-046-00 01
14		1	HYDRAULIC PUMP - See Figures 08-002-00 01, 08-003-00 01
15		1	EXHAUST ENGINE - See Figure 02-003-00 01
16		1	ENGINE - See Figures s 02-001-00 01, 02-005-01 01 To 02-110-01 01
17		1	RADIATOR - See figures 02-004-00 01, 02-004-01 01
18		1	AIR FILTRATION - See figure 02-002-00 01
19		1	BATTERIES, ELECTRICAL SYSTEM - See figures 04-001-00 01 To 04-815-02 01
20		1	CONTROL VALVE - See figure 08-200-00 01
21		1	UNDERCARRIAGE, HYDRAULIC CIRCUIT For CX290B LC- See Figures 05-001-00 01, 07-001-00 01
21		1	UNDERCARRIAGE, HYDRAULIC CIRCUITFor CX290B NLC - See Figures 05-001-01 01, 07-001-01 01
22		1	TRACK FOOT STEP - See Figures 05-006-00 01 To 05-010-00 01
23		1	GUIDE, CHAIN - See Figures 05-011-00 01, 05-011-01 01
24		1	TRAVEL MOTOR AND REDUCTION GEAR - See Figures 06-001-00 01, 06-010-00 01, 07-011-00 01, 07-012-00 01
25		1	ROLLER LOWER - See Figure 05-003-00 01
26		1	ROLLER UPPER - See Figure 05-002-00 01
27		1	GUIDE PULLEY - See Figure 05-004-00 01
28		1	SWING MOTOR-DRIVE REDUCTION GEAR - See Figures 06-002-00 01, 08-220-00 01
29		1	TENSION DAMPER - See Figure 05-005-00 01
30		1	SWING COMPONENTS, LUBRICATION CIRCUIT - See Figure 09-001-00 01
31		1	OPERATORS COMPARTMENT, CAB - See Figures 04-011-00 01, 09-029-00 01 To 09-032-00 01
32		1	OPERATORS COMPARTMENT, LEVER, CONTROL - See Figure 09-009-00 01
33		1	OPERATORS COMPARTMENT - SEAT AND CONTROL ARM MOUNTING - See Figures 09-017-00 01 To 09-023-00 01
34		1	CAB AIR CONDITIONING - Sees Figures 09-025-00 01 To 09-028-00 01
35		1	SIDE INSTRUMENT PANEL - See Figure 09-029-00 01



<https://www.ebooklibonline.com>

Hello dear friend!

Thank you very much for reading.

Enter the link into your browser.

The full manual is available for immediate download.

<https://www.ebooklibonline.com>

Hello

Thank you very much for your download.

In the last page of this PDF document.

There is a link.

Please click on that link and return to our website.

Then you can get the complete manual immediately.

No need to wait.

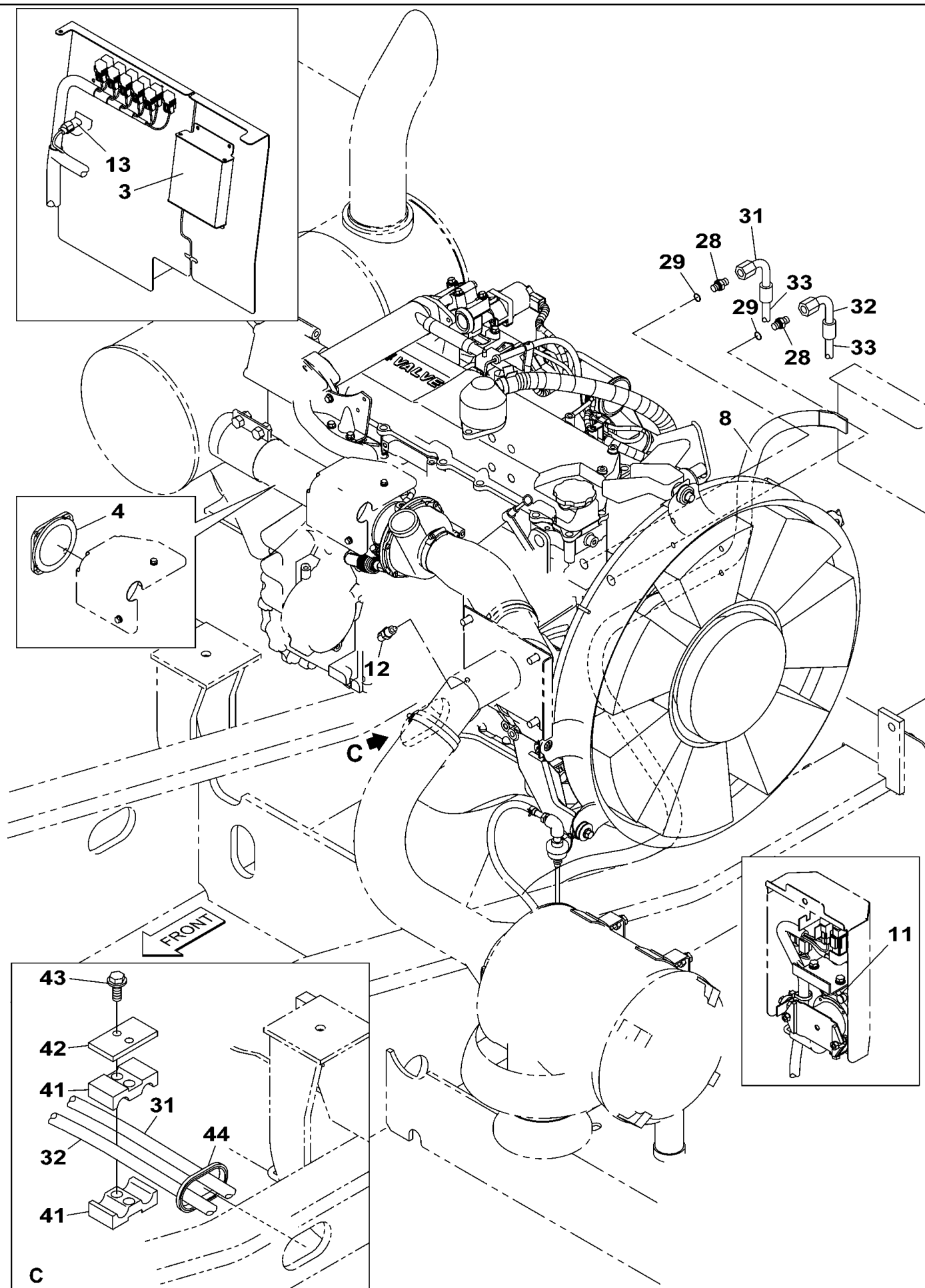
Thanks for continuing to read the documentation.

Best wishes.

CX290B CRAWLER EXCAVATOR - TIER III (EUROPE) (1/07-)

02-001-00(01) ENGINE MOUNTING - ENGINE - OIL CIRCUIT

Ref	Part Number	Qty	Description
2	KBH10560	1	ENGINE, , Include(s) 5, 9, 10 Also Figures 02-001-01 01 Ref. 3, 4, 8, 11, 12, 13 And Figures 02-005-01 01 To 02-110-01 01, 03-040-01 01 To 03-042-01 01, 04-060-01 01 To 04-815-02 01
5	REF	1	INSTRUCTION, Belt, See Figure(s) 02-033-01 01 Ref. 184
9	REF	1	INSTRUCTION, Oil Filter, See Figure(s) 02-050-02 01 Ref. 496
10	REF	1	INSTRUCTION, Fuel Filter, See Figure(s) 03-041-01 01 Ref. 1
14	KSH1067	1	SUPPORT,
15	KSH0908	1	SUPPORT ASSY.,
16	627-10035	10	BOLT, Hex, M10 x 35, 10.9, Full Thd, M10x 35; 10.9
17	150409A1	10	WASHER,
18	KSH0909	1	SUPPORT ASSY.,
19	KSH0910	1	SUPPORT ASSY.,
20	627-12040	8	BOLT, Hex, M12 x 40, 10.9, Full Thd, M12 x 40; 10.9
21	150811A1	8	WASHER,
22	KTH0566	4	SILENTBLOC,
23	KTH0567	4	SILENTBLOC,
24	150874A1	4	WASHER,
25	827-20150	4	BOLT, Hex, M20 x 150, 10.9, M20 x 150; 10.9
26	150817A1	8	WASHER,
27	KSH0923	4	NUT,
34	157580A1	2	ELBOW, 90°, 3/4" O-Ring x 3/4",
35	154503A1	2	O-RING,
36	152012A1	1	CONNECTOR,
37	154503A1	1	O-RING,
38	102R008Y110R	2	BOLT, M8 x 110
39	KHH0515	2	BOLT, M8 x 140
40	153081A1	4	WASHER,



CX290B CRAWLER EXCAVATOR - TIER III (EUROPE) (1/07-)

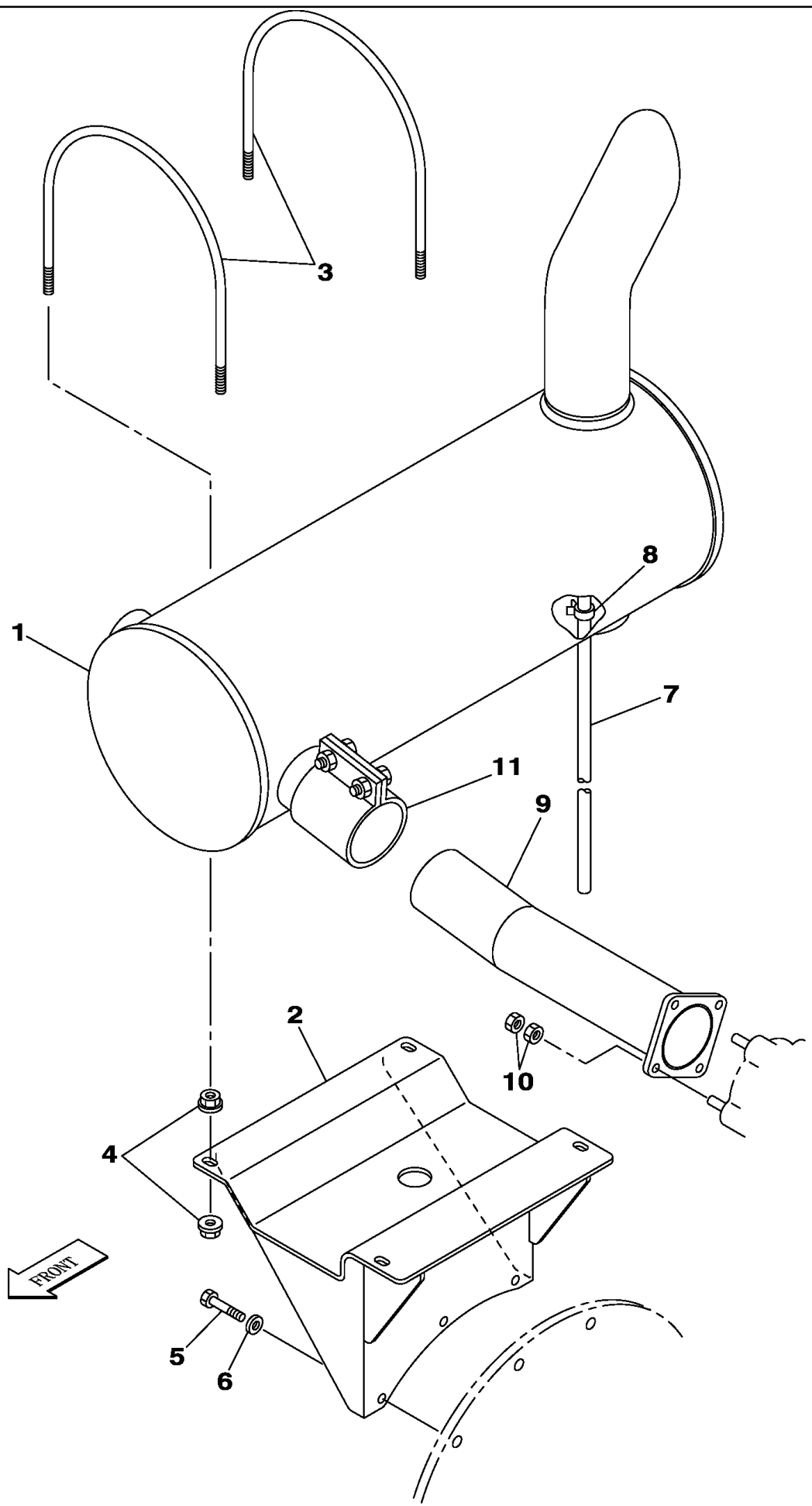
02-001-01(01) ENGINE MOUNTING - ENGINE - OIL CIRCUIT

Ref	Part Number	Qty	Description
3	REF	1	INSTRUCTION, Controler, See Figure(s) 04-060-01 01 Ref. 613
4	REF	1	INSTRUCTION, Gasket, See Figure(s) 02-036-01 01 Ref. 84
8	REF	1	INSTRUCTION, Harness, See Figure(s) 04-810-01 01 Ref. 71
11	REF	1	INSTRUCTION, Relay, See Figure(s) 04-060-01 01 Ref. 424
12	REF	1	INSTRUCTION, Sensor, See Figure(s) 040-60-01 01 Ref. 797
13	REF	1	INSTRUCTION, Sensor, See Figure(s) 04-060-01 01 Ref. 796
28	151654A1	2	ADAPTER, 3/4" NPT O-Ring x 3/4" NPT, , Include(s) 29
29	154503A1	2	O-RING,
31	KBH10580	1	HOSE ASSY., 1350 mm
32	KBH10590	1	HOSE ASSY., 1450 mm
33	KBR0819	2	SHEATH, FLEXIBLE, 400 mm
41	KRH10200	2	CLAMP,
42	KRH10210	1	PLATE,
43	166052A1	2	BOLT,
44	KRH10470	1	GROMMET,

CX290B CRAWLER EXCAVATOR - TIER III (EUROPE) (1/07-)

02-002-00(01) AIR FILTRATION

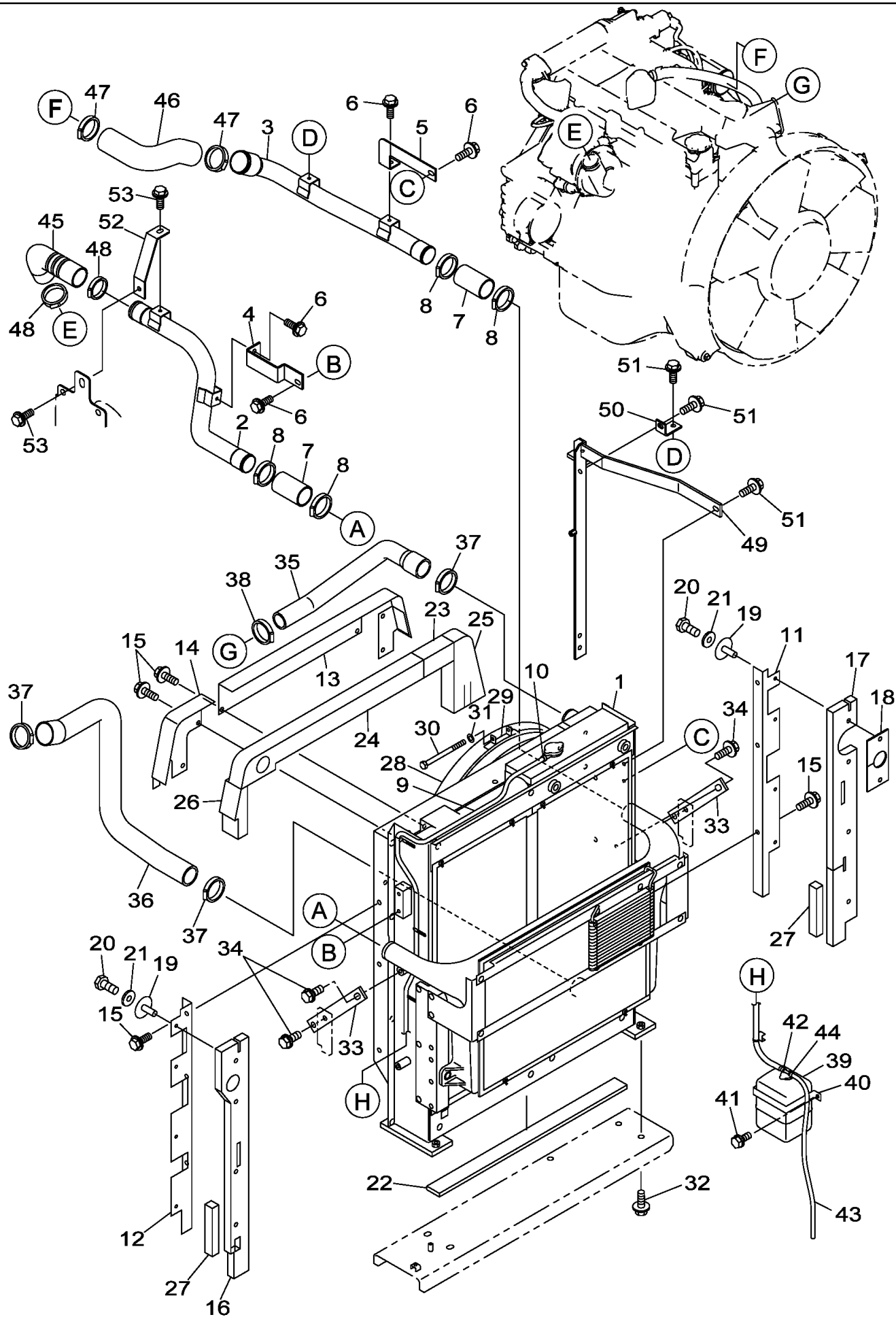
Ref	Part Number	Qty	Description
2	KSH0930	1	FILTER ASSY., , Include(s) 3 - 9
3	KSH0931	1	CASE,
4	KSH0932	1	FILTER, AIR,
5	KSH0933	1	FILTER, AIR,
6	KSH0934	1	COVER,
7	KHB0924	1	VALVE,
8	KSH0935	1	FITTING,
9	NSS	1	NOT SERVICED SEPARATELY,
10	166564A1	1	CAP,
11	166347A1	4	BOLT, M10 x 30
12	KBH10370	1	SUPPORT,
13	152718A1	1	BOLT,
14	KHH10330	1	SENSOR,
15	165818A1	1	ELBOW,
16	KRH1236	1	SEAL,
17	157742A1	1	NUT, M10 x 1.25
18	KRH1237	1	ELBOW,
19	157169A1	1	HOSE, 300 mm
20	165951A1	2	CLAMP,
21	KSH1036	1	HOSE, LARGE,
22	150545A1	1	CLAMP,
23	150855A1	1	CLAMP,
24	KBH10360	1	SUPPORT,
25	166352A1	1	BOLT,
26	KSH1035	1	HOSE, LARGE,
27	150545A1	1	CLAMP,
28	150294A1	1	CLIP, M12 x 30



CX290B CRAWLER EXCAVATOR - TIER III (EUROPE) (1/07-)

02-003-00(01) EXHAUST

Ref	Part Number	Qty	Description
1	KSH0948	1	MUFFLER,
2	KSH1037	1	SUPPORT,
3	KBH0850	2	U-BOLT,
4	150472A1	8	NUT, N M10
5	827-10050	3	BOLT, Hex, M10 x 50, 10.9, M10 x 50
6	150409A1	3	WASHER, W M10
7	150668A1	1	TUBE,
8	165952A1	1	MOUNTING CLIP,
9	KSH1038	1	PIPE, EXHAUST SYSTEM,
10	153856A1	8	NUT, M10 x 1.25
11	KSH0951	1	COLLAR ASSY.,



CX290B CRAWLER EXCAVATOR - TIER III (EUROPE) (1/07-)

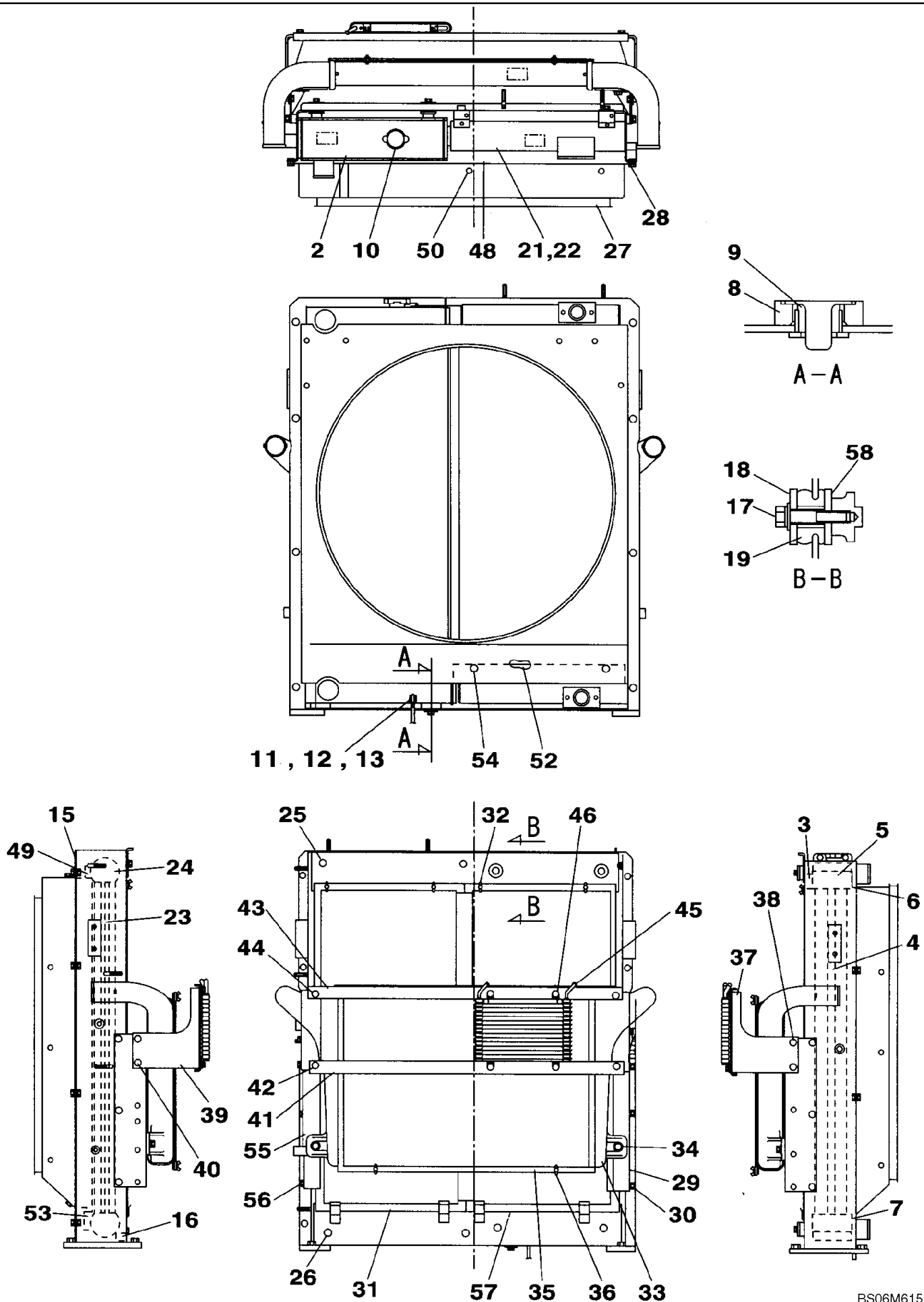
02-004-00(01) ENGINE WATER CIRCUIT - RADIATOR

Ref	Part Number	Qty	Description
1	KBH10290	1	RADIATOR, , See Figure(s) 02-004-01 01
2	KBH10390	1	TUBE, RIGID,
3	KBH10400	1	TUBE, RIGID,
4	KBH10880	1	SUPPORT,
5	KBH10420	1	SUPPORT,
6	152718A1	4	BOLT,
7	KSH1065	2	AIR FLEXIBLE,
8	164967A1	4	CLAMP,
9	KHH0517	1	HOSE, 2000 mm
11	KBH10450	1	SUPPORT,
10	165951A1	1	CLAMP,
12	KBH10430	1	SUPPORT,
13	KBH10890	1	SUPPORT,
14	KBH10900	1	SUPPORT,
15	152718A1	12	BOLT,
16	KBH10520	1	SEAL PROTECTION,
17	KBH10470	1	SEAL PROTECTION,
18	KBH10540	1	PAD, RUBBER,
19	KHH0358	8	RETAINER,
20	827-8040	8	BOLT, Hex, M8 x 40, 10.9, M8 x 40; 10.9
21	895-11008	8	WASHER, M8 x 16 x 1.6,
22	KBH10530	1	SEAL PROTECTION,
23	KBH10490	1	SEAL PROTECTION,
24	KBH10500	1	SEAL PROTECTION,
25	KBH10480	1	SEAL PROTECTION,
26	KBH10510	1	SEAL PROTECTION,
27	KSH1063	2	SEAL,
28	KTH0632	1	BAND,
29	KTH0633	1	BAND,
30	KRH1377	1	SCREW, M5 x 100
31	895-11005	1	WASHER, M5 x 10 x 1,
32	166373A1	4	BOLT, M16 x 40
33	KBH10550	2	STAY,
34	166373A1	4	BOLT, M16 x 40
35	KBH10310	1	HOSE, LARGE,
36	KBH10320	1	HOSE, LARGE,
37	165795A1	3	CLAMP,
38	165794A1	1	CLAMP,
39	KHH10850	1	TANK,
40	167542A1	1	HOLDER,
41	166351A1	2	BOLT, M10 x 20
42	165951A1	1	CLAMP,
43	KHH0499	1	HOSE, 900 mm
44	165952A1	1	MOUNTING CLIP,
45	KSH1031	1	HOSE, LARGE,

CX290B CRAWLER EXCAVATOR - TIER III (EUROPE) (1/07-)

02-004-00(01) ENGINE WATER CIRCUIT - RADIATOR

Ref	Part Number	Qty	Description
46	KSH1032	1	HOSE, LARGE,
47	164968A1	2	CLAMP,
48	164967A1	2	CLAMP,
49	KBH10610	1	FRAME,
50	KBH10600	1	SUPPORT,
51	152718A1	5	BOLT,
52	KBH10870	1	SUPPORT,
53	152718A1	2	BOLT,



CX290B CRAWLER EXCAVATOR - TIER III (EUROPE) (1/07-)

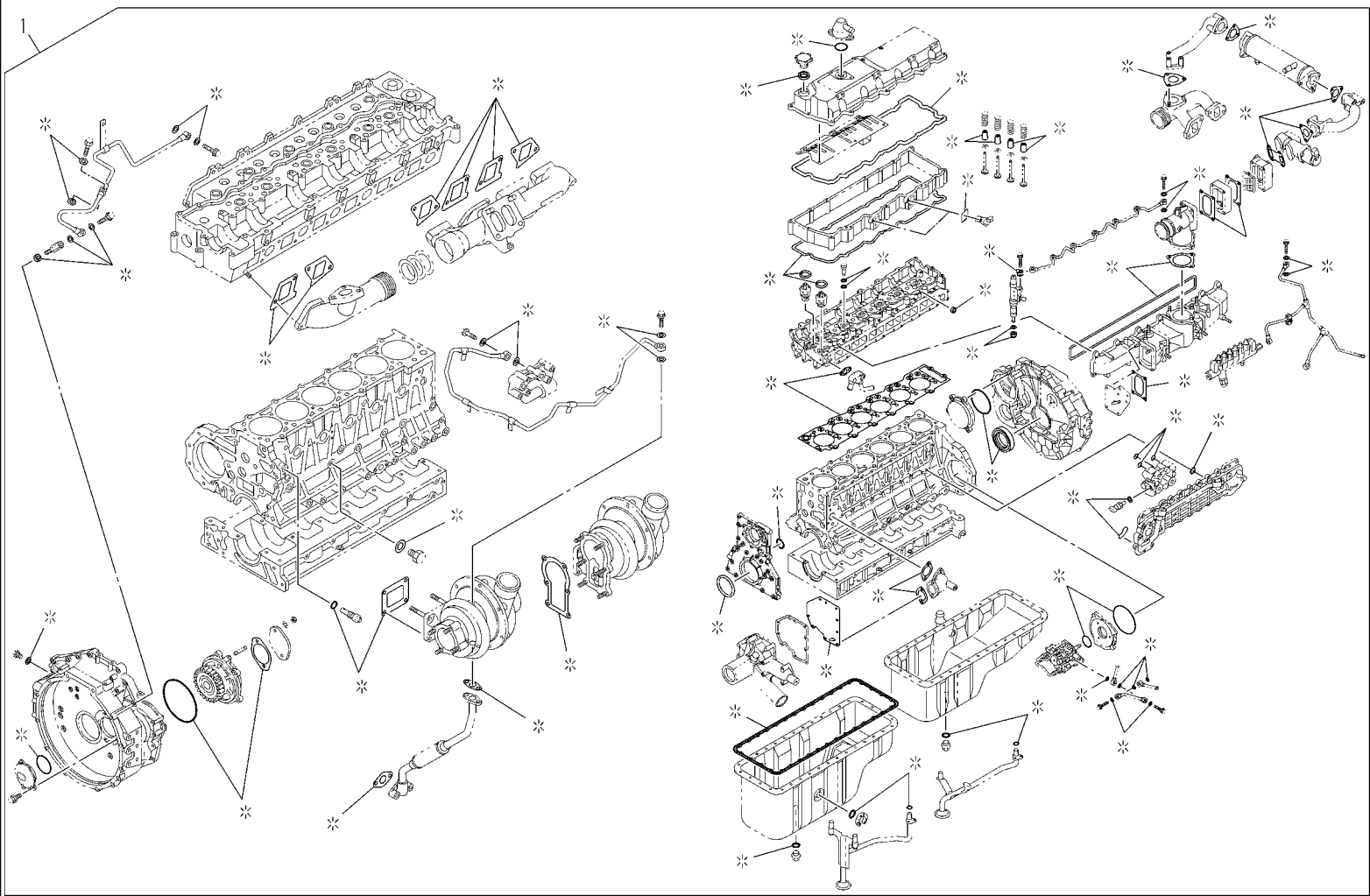
02-004-01(01) RADIATOR ASSY

Ref	Part Number	Qty	Description
	KBH10290	1	RADIATOR, , Include(s) 1 - 58
	LN001720	1	, Include(s) 2 - 7
2	NSS	1	NOT SERVICED SEPARATELY, Radiator
3	LE013270	2	SEAL PROTECTION,
4	LE013280	1	SEAL PROTECTION,
5	LE013290	2	SEAL PROTECTION,
6	LE013300	1	SEAL PROTECTION,
7	LE013310	1	SEAL PROTECTION,
8	LG005900	2	STRIP-GASKET,
9	LG005620	2	STRIP-GASKET,
10	TR00521	1	CAP, RADIATOR,
11	156602A1	1	COCK,
12	LK005540	1	PLUG,
13	LA00804	1	CLIP,
	LT001580	1	HOUSING, , Include(s) 15, 16
15	LT001590	1	
16	LE013320	2	SEAL PROTECTION,
17	LA010480	4	BOLT,
18	LA010490	4	WASHER,
19	LG005910	4	SEAL PROTECTION,
	LN001730	1	COOLER, OIL, , Include(s) 21 - 24
21	LN001740	1	
22	LE013330	1	SEAL PROTECTION,
23	LE013340	1	SEAL PROTECTION,
24	LE013350	4	SEAL PROTECTION,
25	LA00792	2	SCREW,
26	LA00792	2	SCREW,
27	LW005000	1	SHROUD,
28	158870A1	8	BOLT,
29	LS003100	1	SUPPORT,
30	158870A1	3	BOLT,
31	LS003110	1	PROTECTOR,
32	156606A1	4	BOLT,
33	LN001750	1	INTERCOOLER,
34	LA010500	4	BOLT,
35	LG00406	1	PROTECTOR,
36	156606A1	4	BOLT,
37	LS003120	1	SUPPORT,
38	LA00781	2	SCREW,
39	LS003130	1	SUPPORT,
40	LA00781	2	SCREW,
41	LS003140	1	SUPPORT,
42	158870A1	2	BOLT,
43	LS003150	1	SUPPORT,
44	158870A1	2	BOLT,

CX290B CRAWLER EXCAVATOR - TIER III (EUROPE) (1/07-)

02-004-01(01) RADIATOR ASSY

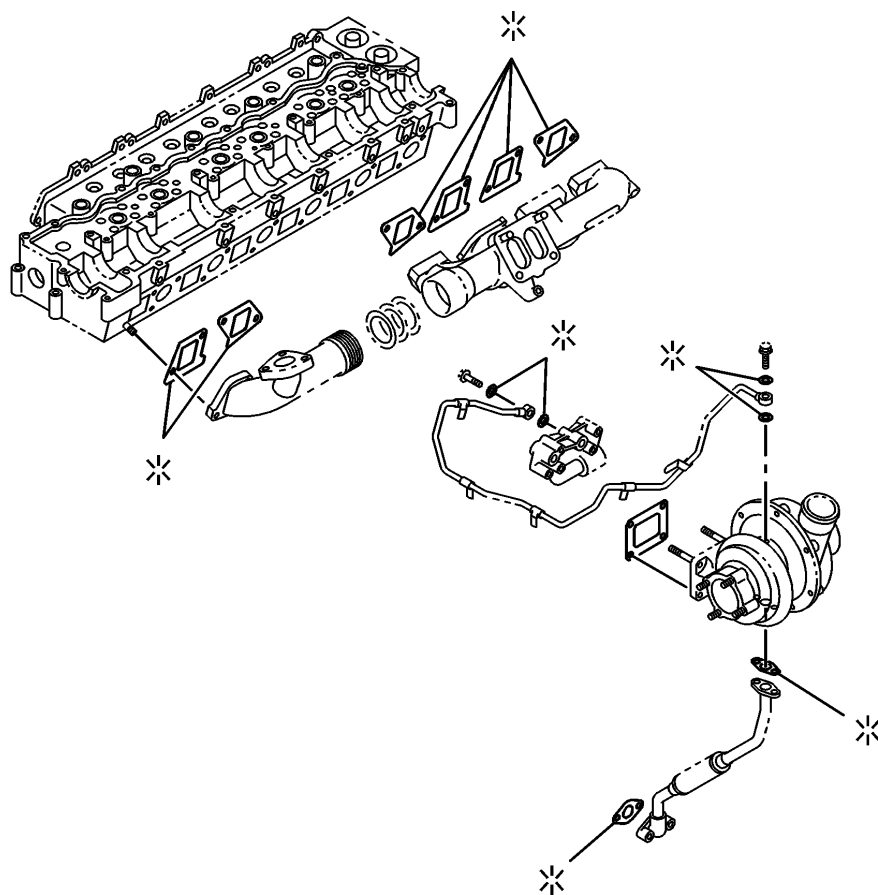
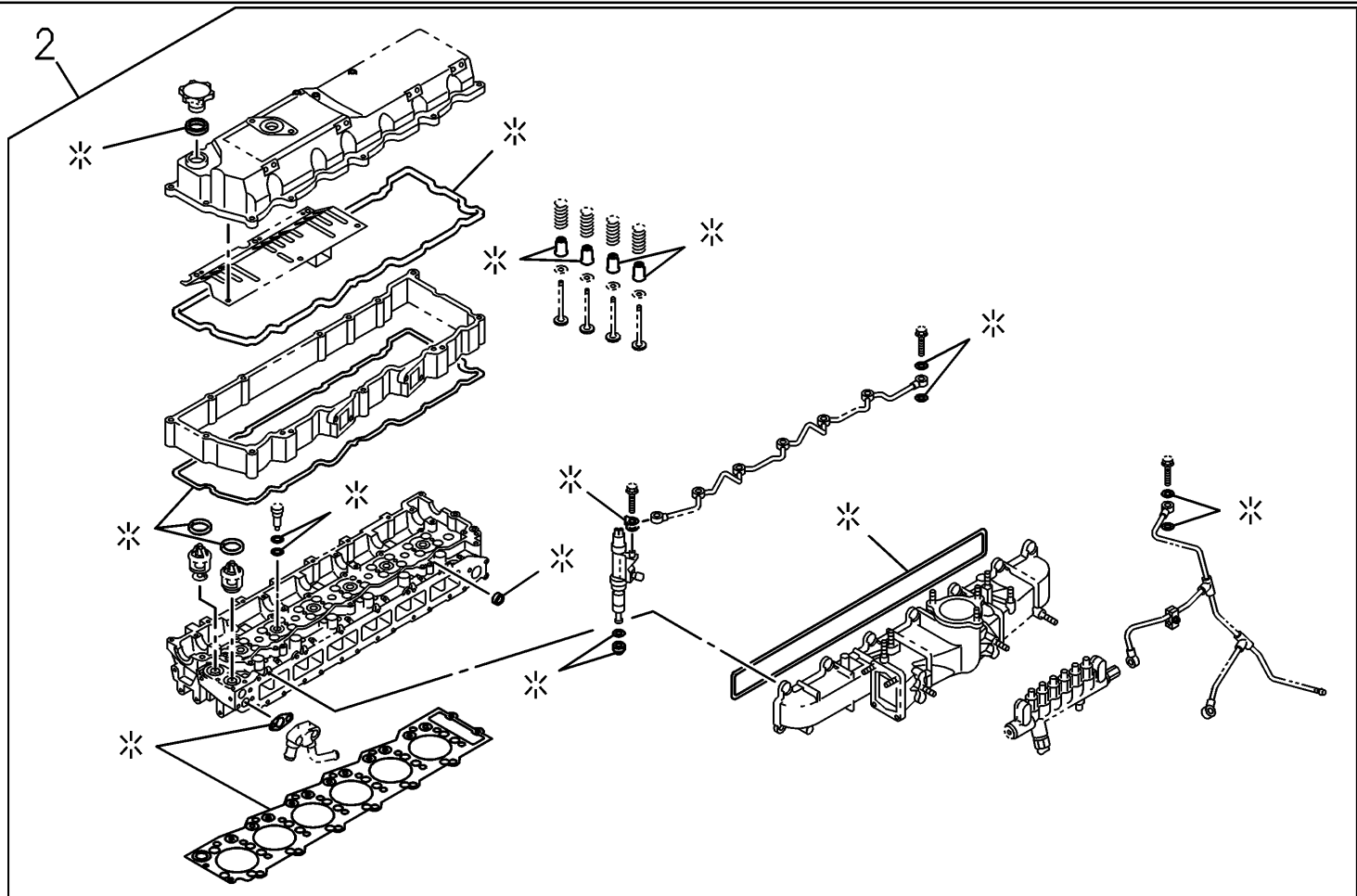
Ref	Part Number	Qty	Description
45	LN001760	1	COOLER,
46	LA00677	4	BOLT,
	LR014610	1	PLATE, , Include(s) 48, 49
48	LR014620	1	
49	LE013360	1	SEAL PROTECTION,
50	158870A1	2	BOLT,
	LR014630	1	PLATE, , Include(s) 52, 53
52	NSS	1	NOT SERVICED SEPARATELY, Plate
53	LE013370	1	SEAL PROTECTION,
54	158870A1	2	BOLT,
55	LS003160	1	SUPPORT,
56	158870A1	3	BOLT,
57	LG005920	1	GRILLE, RADIATOR,
58	LH004680	4	COLLAR,



CX290B CRAWLER EXCAVATOR - TIER III (EUROPE) (1/07-)

02-005-01(01) PACKAGE SEALS - ENGINE

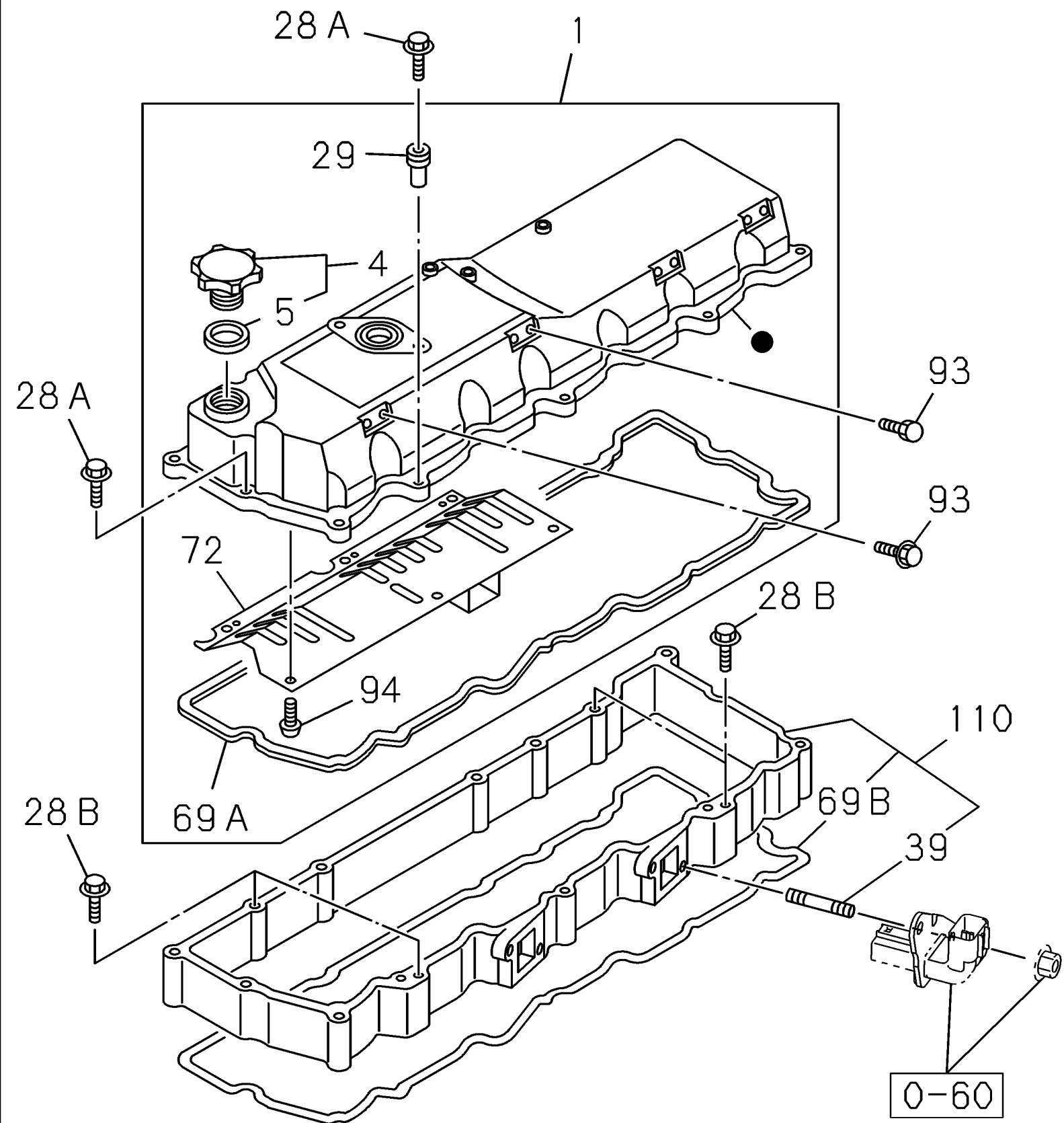
Ref	Part Number	Qty	Description
1	87336450	1	KIT, SEALS,



CX290B CRAWLER EXCAVATOR - TIER III (EUROPE) (1/07-)

02-005-03(01) PACKAGE SEALS - ENGINE

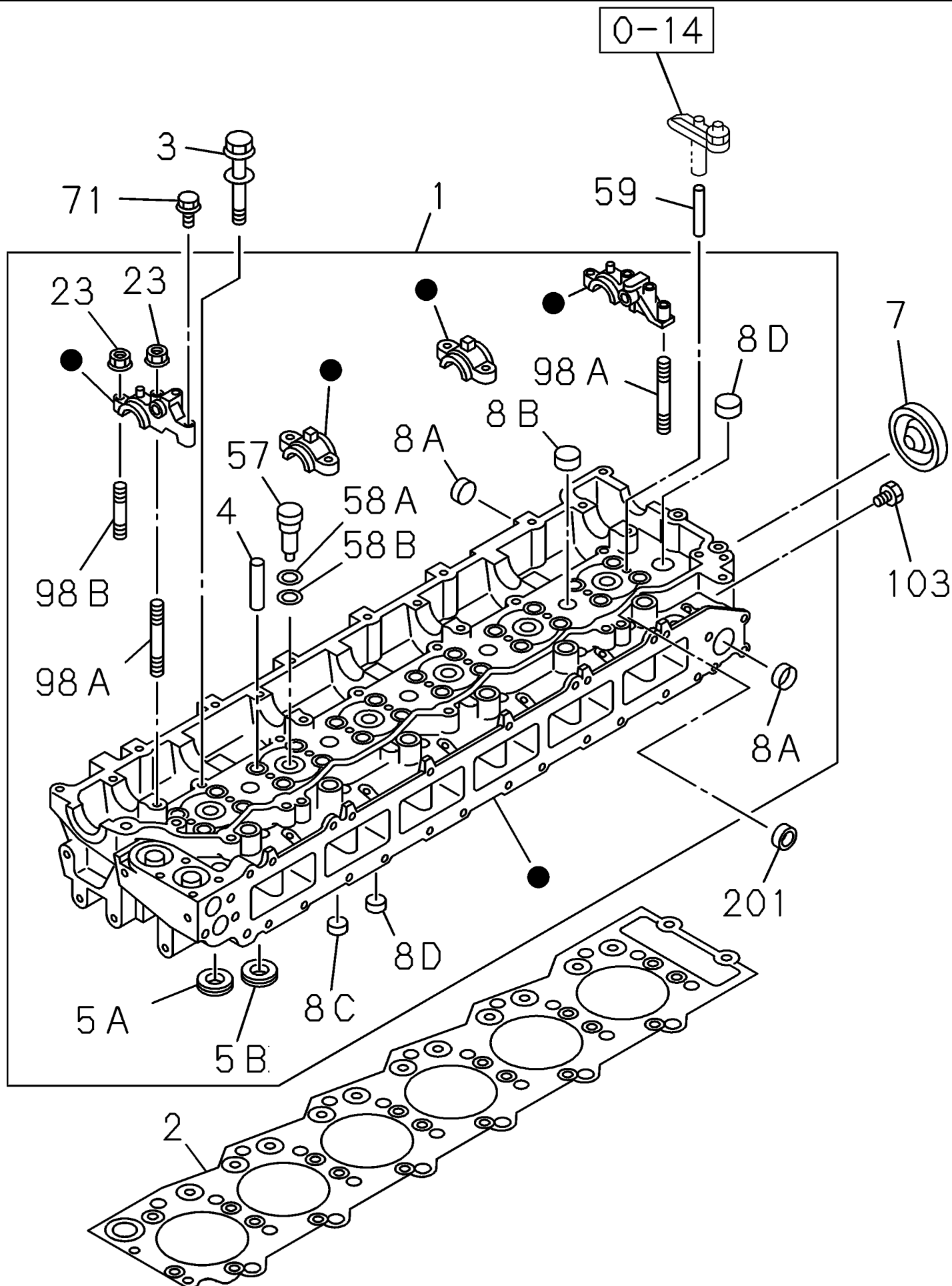
Ref	Part Number	Qty	Description
2	87377902	1	KIT, ENGINE TOP GASKETS,



CX290B CRAWLER EXCAVATOR - TIER III (EUROPE) (1/07-)

02-010-01(01) COVER - CYLINDER HEAD

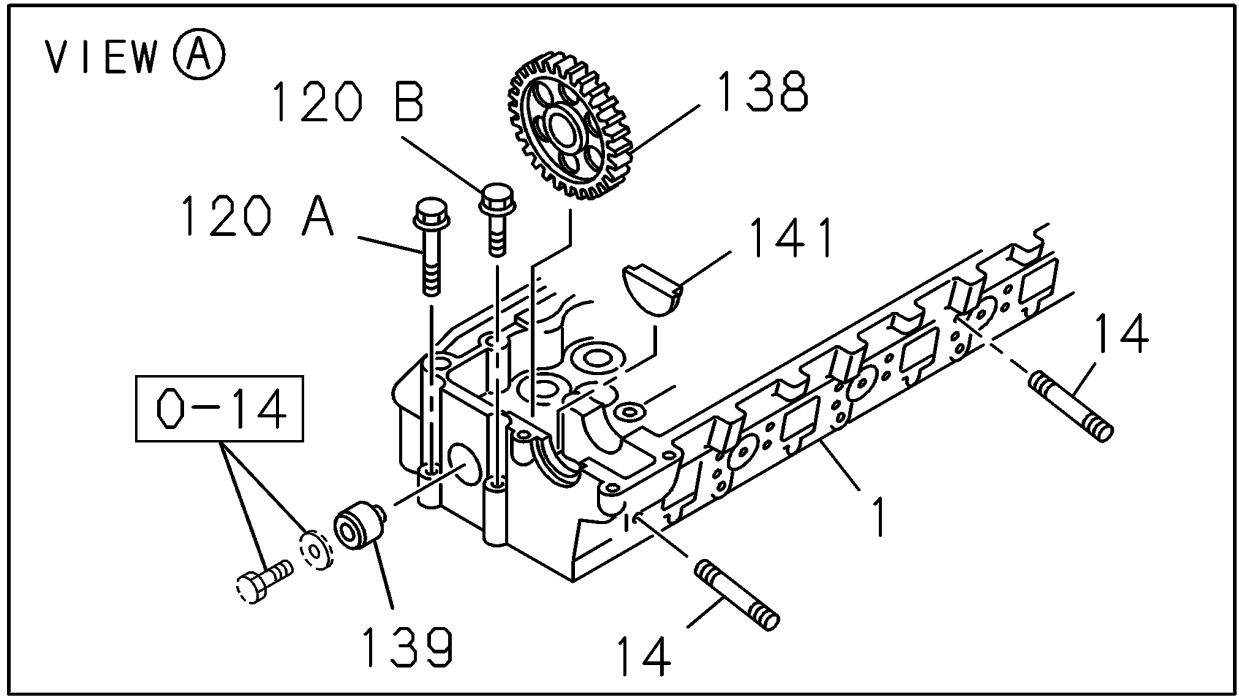
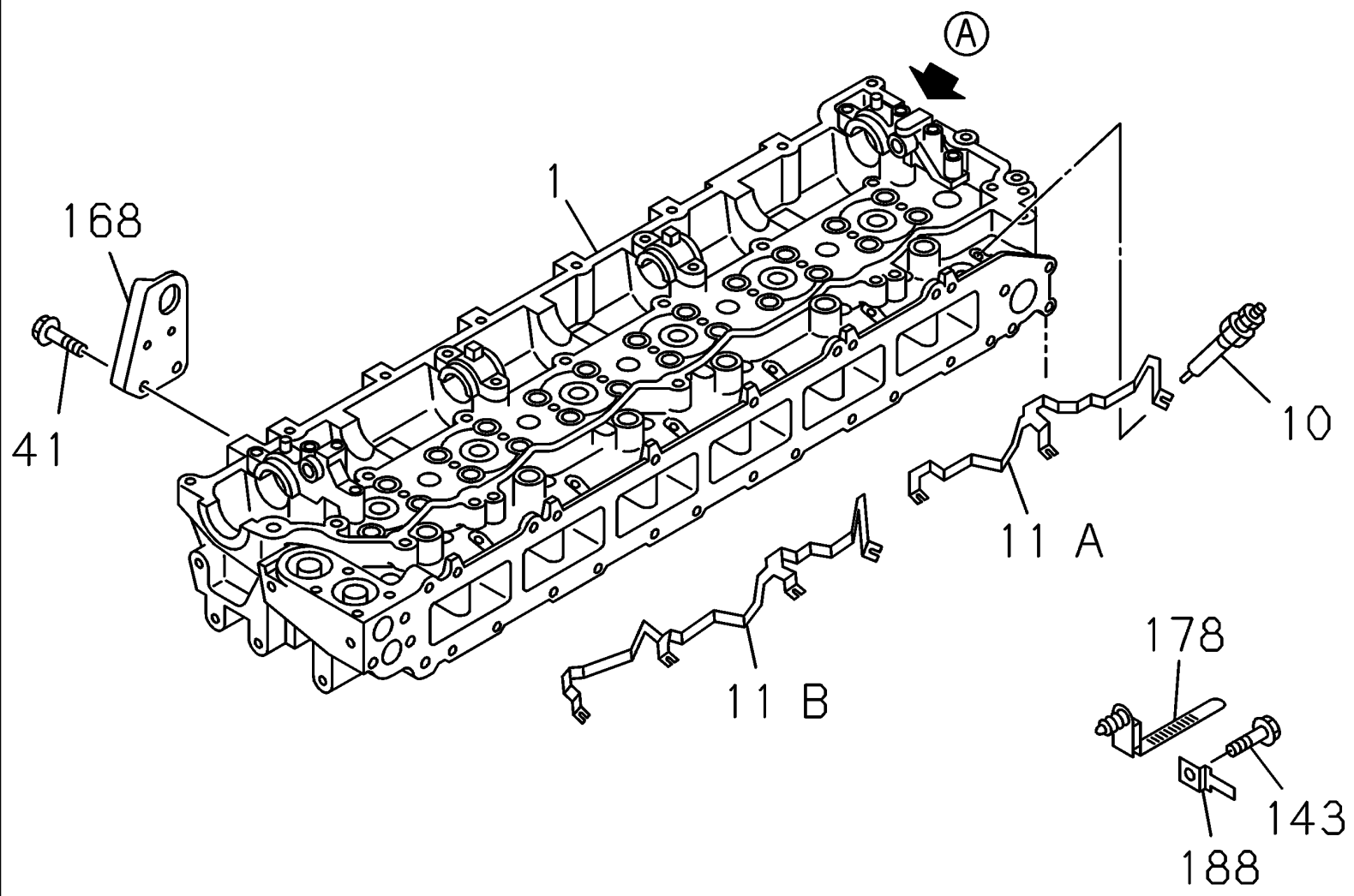
Ref	Part Number	Qty	Description
0-60	REF	1	INSTRUCTION, , See Figure(s) 04-060-03 01
1	87377904	1	COVER, VALVE, , Include(s) 4, 29, 69A, 72, 94
4	288798A1	1	CAP, FILLER, , Include(s) 5
5	288797A1	1	GASKET,
28A	288987A1	11	BOLT, M8 x 70
28B	288985A1	4	BOLT, M8 x 45
29	87379444	11	MOUNTING, RUBBER,
39	438130A1	4	STUD, M8 x 38
69A	438052A1	1	GASKET,
69B	87377907	1	GASKET,
72	438070A1	1	PLATE,
93	288983A1	8	BOLT, M8 x 12
94	438179A1	6	SCREW,
110	87377915	1	COVER, VALVE, , Include(s) 39, 69B



CX290B CRAWLER EXCAVATOR - TIER III (EUROPE) (1/07-)

02-011-01(01) CYLINDER HEAD

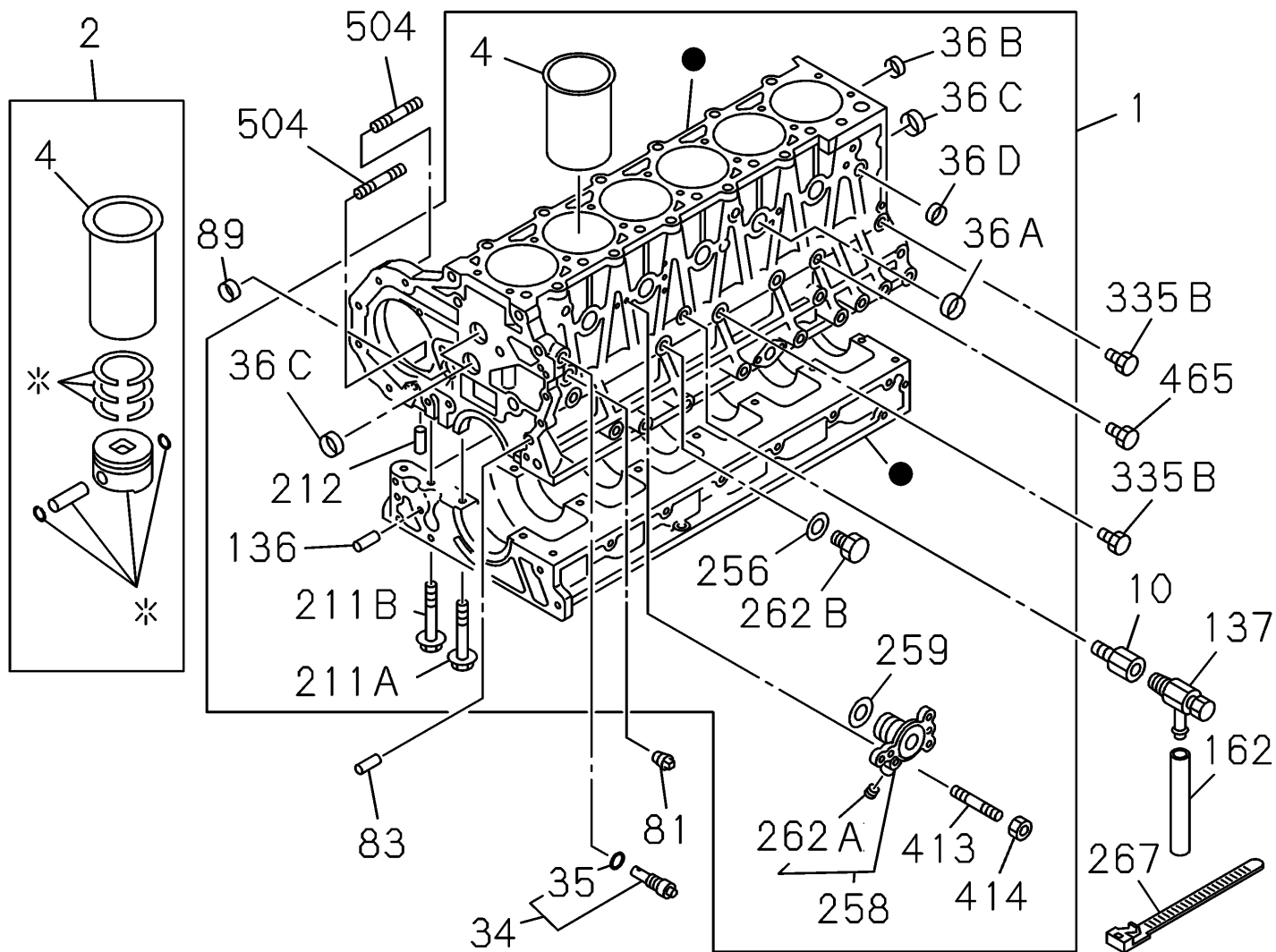
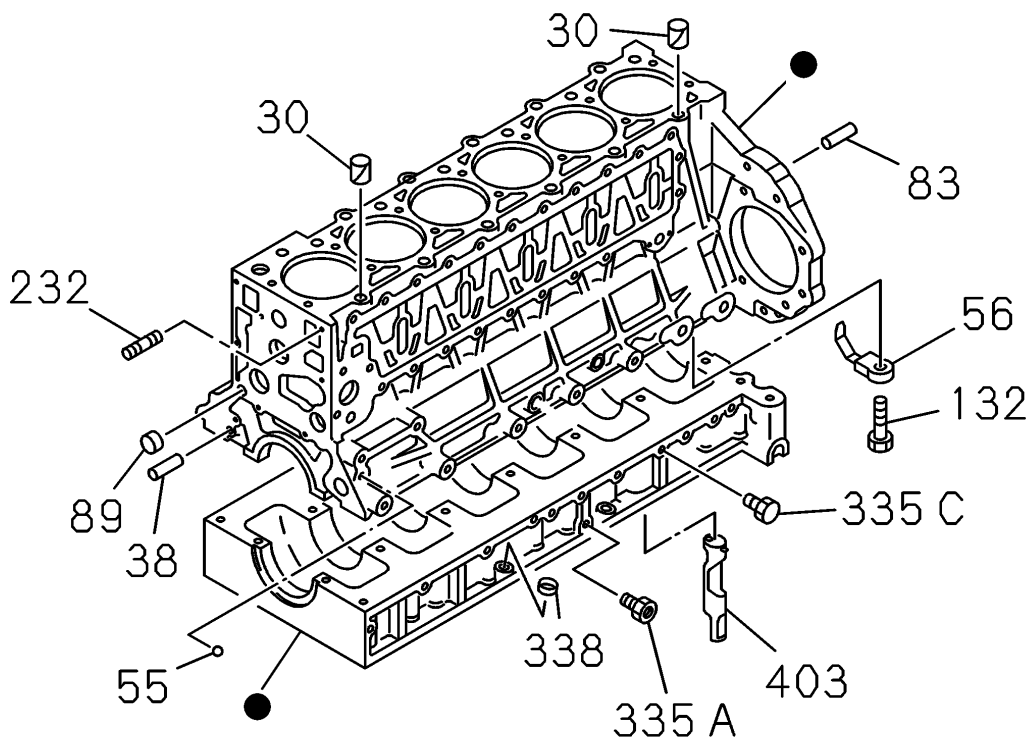
Ref	Part Number	Qty	Description
0-14	REF	1	INSTRUCTION, , See Figure(s) 02-014-01 01
1	87377918	1	CYLINDER HEAD, , Include(s) 4, 5A, 5B, 8A, 8B, 8C, 8D, 23, 57, 58A, 58B, 98A, 98B
2	87377923	1	GASKET, CYLINDER HEAD,
3	438124A1	26	SCREW,
4	438044A1	24	GUIDE,
5A	438119A1	12	SEAT, VALVE, Inlet
5B	87379445	12	SEAT, Exhaust
7	87379446	1	PLUG,
8A	362152A1	7	CUP,
8B	289076A1	6	CUP,
8C	353962A1	7	PLUG,
8D	289852A1	11	CUP,
23	288709A1	8	NUT,
57	87528150	6	HOLDER NOZZLE,
58A	87377928	6	GASKET,
58B	87377929	6	GASKET,
59	87379448	12	GUIDE,
71	419941A1	2	BOLT,
98A	438025A1	2	STUD, M8 x 54 L=79
98B	438026A1	6	STUD, M8 x 41 L=66
103	87377930	1	PLUG,
201	437881A1	6	GASKET,



CX290B CRAWLER EXCAVATOR - TIER III (EUROPE) (1/07-)

02-011-02(01) CYLINDER HEAD

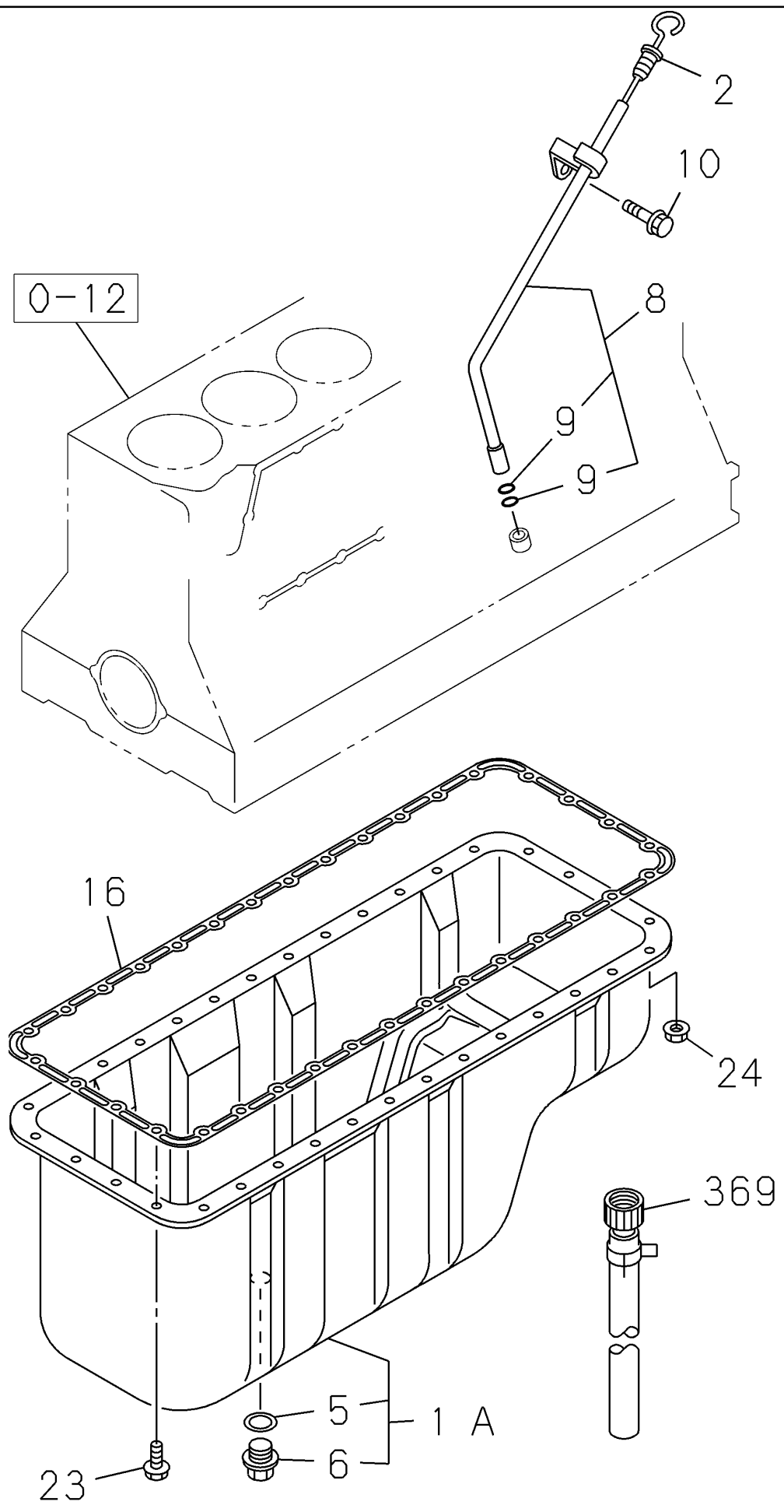
Ref	Part Number	Qty	Description
0-14	REF	1	INSTRUCTION, , See Figure(s) 02-014-01 01
1	87377918	1	CYLINDER HEAD, , See Figure(s) 02-010-01 01
10	438043A1	6	PLUG,
11A	438062A1	1	CONNECTOR,
11B	438075A1	1	CONNECTOR,
14	438137A1	12	STUD,
41	288993A1	2	SCREW, M10 x 20
120A	438152A1	1	SCREW, M10 x 73
120B	438153A1	1	SCREW, M10 x 43
138	438163A1	1	GEAR, Z=41
139	438166A1	1	SHAFT,
141	438154A1	2	PLUG,
143	419935A1	1	BOLT, M8 x 16
168	87379450	1	HANGER,
178	87379451	1	CLIP,
188	87377931	1	BRACKET,



CX290B CRAWLER EXCAVATOR - TIER III (EUROPE) (1/07-)

02-012-01(01) CYLINDER BLOCK

Ref	Part Number	Qty	Description
1	87377934	1	CYLINDER BLOCK, , Include(s) 36A, 36B,36C, 36D, 136, 211A, 211B, 212, 256, 258, 259, 262B, 413, 414
2	87377936	6	KIT, LINER, PISTON, RINGS, OD Grade=1X, Include(s) 4
2	87377937	6	KIT, LINER, PISTON, RINGS, OD Grade=3X, Include(s) 4
4	87435183	6	SLEEVE, OD Grade=1X, ID=N
4	87379453	6	LINER, ENGINE CYLINDER, OD Grade=3X, ID=N
10	438126A1	1	FITTING,
30	438157A1	2	PIN,
34	438081A1	1	VALVE, , Include(s) 35
35	289419A1	1	PACKING,
36A	289074A1	4	CUP,
36B	289076A1	1	CUP,
36C	438142A1	1	PLUG,
36D	87379455	4	PLUG,
38	438159A1	2	PIN,
55	438177A1	1	PLUG,
56	438107A1	6	JET,
81	438139A1	1	PLUG,
83	438159A1	2	PIN,
89	438189A1	3	PLUG,
132	438094A1	6	VALVE,
136	87377938	2	BUSHING,
137	289105A1	1	COCK, DRAIN,
162	87379457	1	HOSE, L350 mm
211A	438124A1	14	SCREW, M14 x 115
211B	438151A1	25	SCREW, M10 x 82
212A	87379458	2	PIN,
212B	87379460	1	STUD,
256	288565A1	1	GASKET,
258	87377941	1	ADAPTER, , Include(s) 262A
259	87379486	1	GASKET,
262A	426638A1	1	PLUG,
262B	87379489	1	PLUG,
267	438022A1	1	CLAMP,
335A	87379491	1	PLUG,
335B	76592283	4	PLUG,
335C	87377930	2	PLUG,
338	357413A1	1	RING,
403	438108A1	1	GUIDE,
413	87379492	2	STUD,
414	288709A1	2	NUT,
465	76592283	2	PLUG,
504	87379493	2	STUD,



CX290B CRAWLER EXCAVATOR - TIER III (EUROPE) (1/07-)

02-013-01(01) OIL PAN

Ref	Part Number	Qty	Description
0-12	REF	1	INSTRUCTION, , See Figure(s) 02-012-01 01
1A	87379494	1	PAN, ENGINE OIL, , Include(s) 5, 6
2	87377942	1	DIPSTICK,
5	87378135	1	GASKET,
6	87378136	1	PLUG,
8	437900A1	1	TUBE, , Include(s) 9
9	289418A1	2	GASKET,
10	419935A1	2	BOLT, M8 x 16
16	87379495	1	GASKET,
23	426626A1	30	BOLT, M8 x 18
24	289042A1	4	NUT,
369	87378137	1	HOSE, FLEXIBLE,

CX290B CRAWLER EXCAVATOR - TIER III (EUROPE) (1/07-)

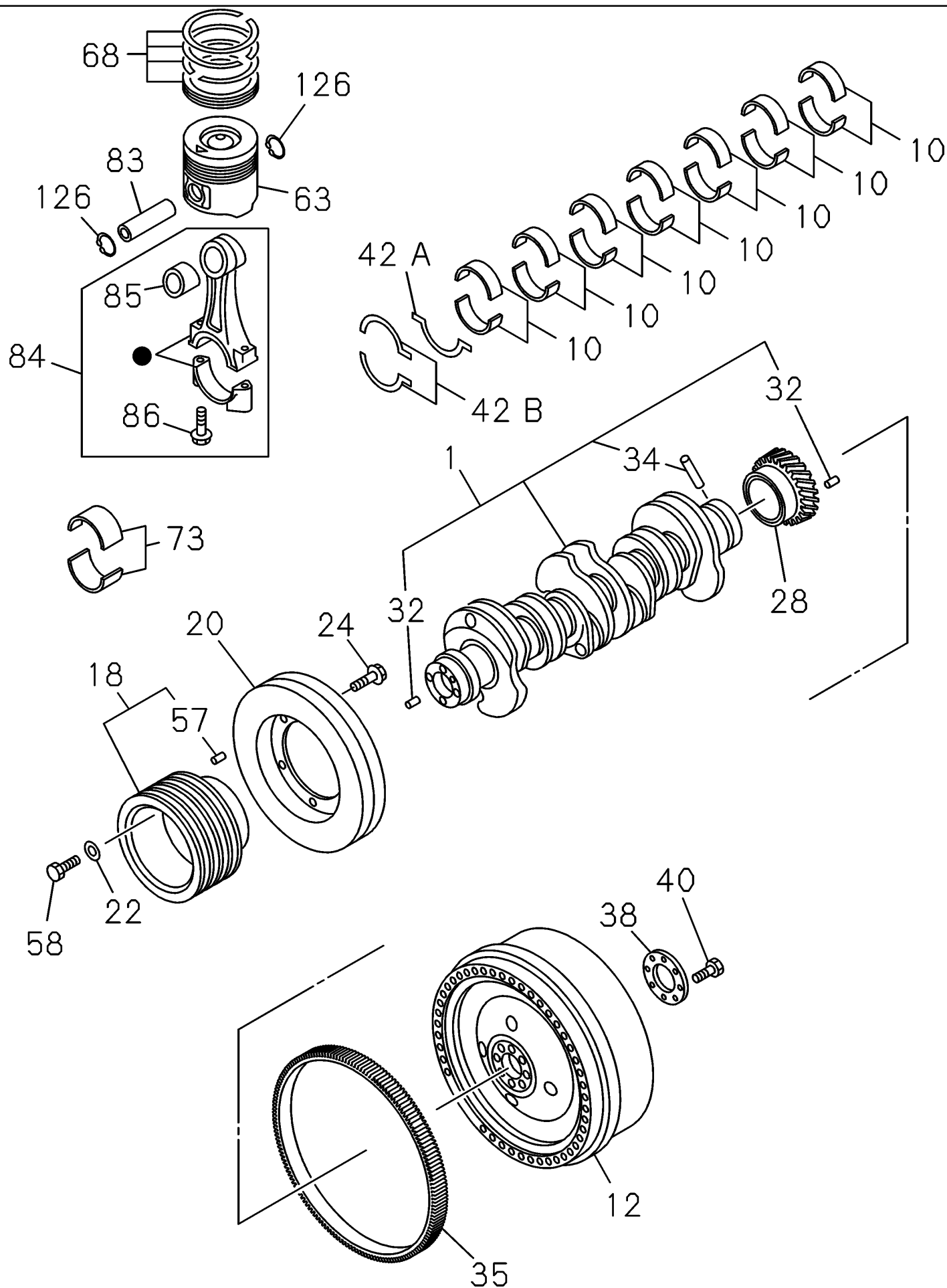
02-014-01(01) CAMSHAFT - VALVE MECHANISM

Ref	Part Number	Qty	Description
0-11	REF	1	INSTRUCTION, , See Figure(s) 02-011-02 01
0-12	REF	1	INSTRUCTION, , See Figure(s) 02-012-01 01
0-20	REF	1	INSTRUCTION, , See Figure(s) 02-020-01 01
1	87378138	1	CAMSHAFT,
4	438115A1	12	VALVE, ENGINE, INLET, STD,
5	87379496	12	VALVE, PRESSURE RELIEF,
7	438128A1	1	SCREW,
8	289838A1	1	WASHER,
9A	87378139	1	GEAR,
9B	87378140	1	GEAR,
37	87379497	4	BUSHING, Upper
37	87436831	4	BEARING LINER, Lower
38	438149A1	1	PIN,
53	438078A1	1	SHAFT,
61	438100A1	12	SCREW,
62	438187A1	12	NUT,
63	355173A1	12	SEAT, VALVE,
65	87378142	48	SPRING,
68A	438045A1	12	SEAT, VALVE,
68B	438118A1	12	SPRING,
71A	438053A1	24	SEAT, VALVE, Lower
71B	438045A1	24	SEAT, VALVE, Upperr
72	353977A1	24	SEAL,
75A	288984A1	24	BOLT,
75B	438082A1	2	SCREW,
78A	87447730	6	ROCKER, Inlet
78B	87447729	6	ROCKER, Exhaust
81	438104A1	12	SCREW,
83	289779A1	12	NUT,
84	438114A1	5	BRACKET,
95	438079A1	6	SPRING,
101A	76592359	1	BOLT,
101B	437850A1	3	SCREW,
101C	438193A1	1	SCREW,
105	87379553	1	BOLT,
107A	87379558	1	SHAFT, IDLE,
107B	87379554	1	SHAFT, IDLE,
107C	87378144	1	SHAFT,
111	87379561	3	COLLAR,
112A	87378147	1	GEAR, IDLER,
112B	87378146	1	GEAR, IDLER,
112C	87378145	1	GEAR, IDLER,
114	438031A1	1	SCREW,
115	87379561	1	COLLAR,
196	87378150	1	RING, SNAP,

CX290B CRAWLER EXCAVATOR - TIER III (EUROPE) (1/07-)

02-014-01(01) CAMSHAFT - VALVE MECHANISM

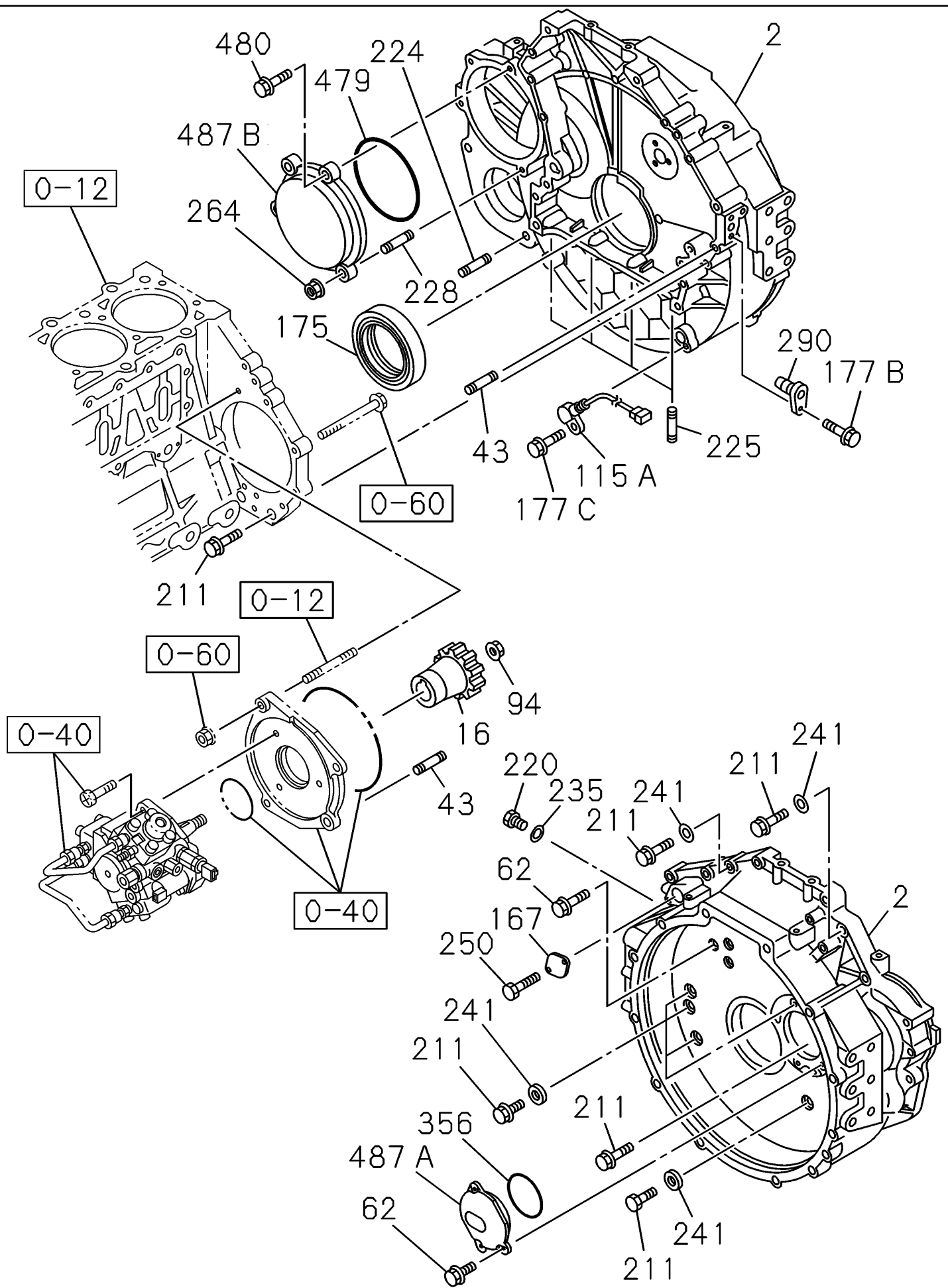
Ref	Part Number	Qty	Description
212	438121A1	12	CAP,
264A	87378154	1	SPRING,
264B	87378155	1	SPRING,
295	87378169	2	PIN,



CX290B CRAWLER EXCAVATOR - TIER III (EUROPE) (1/07-)

02-015-01(01) PISTONS AND CRANKSHAFT

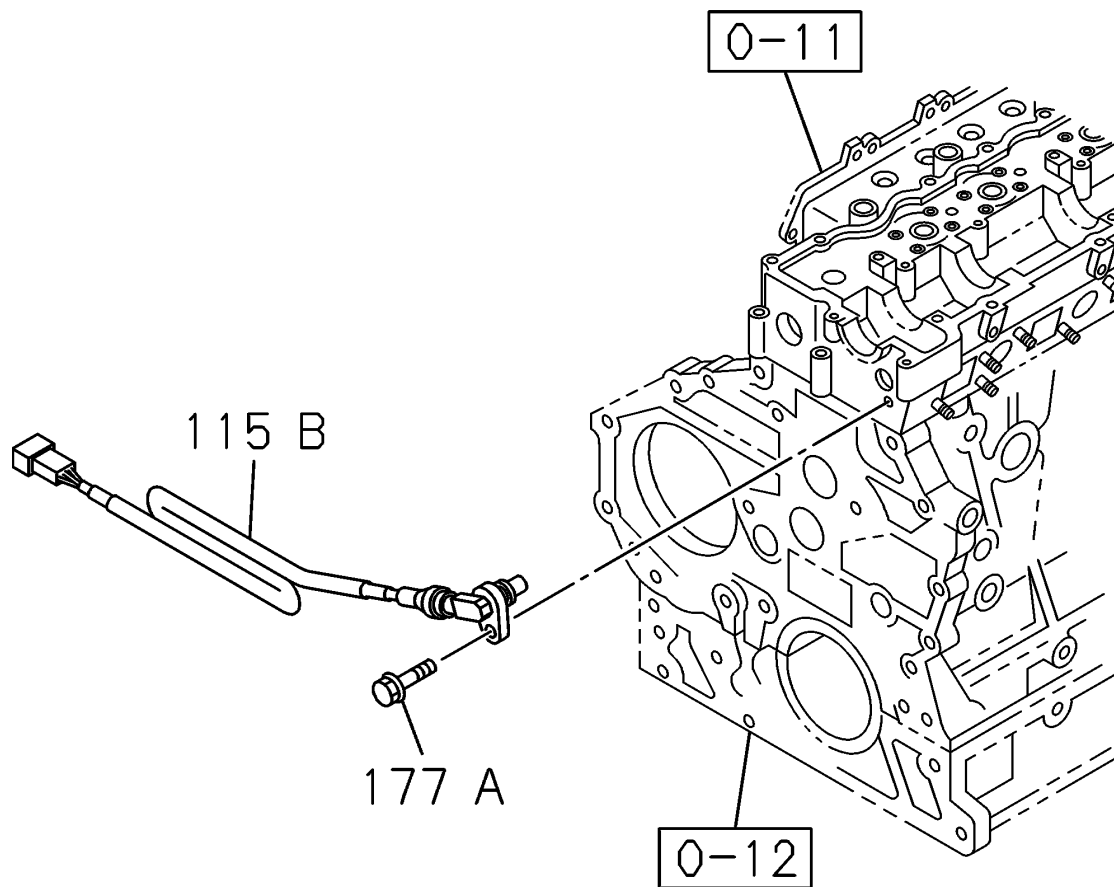
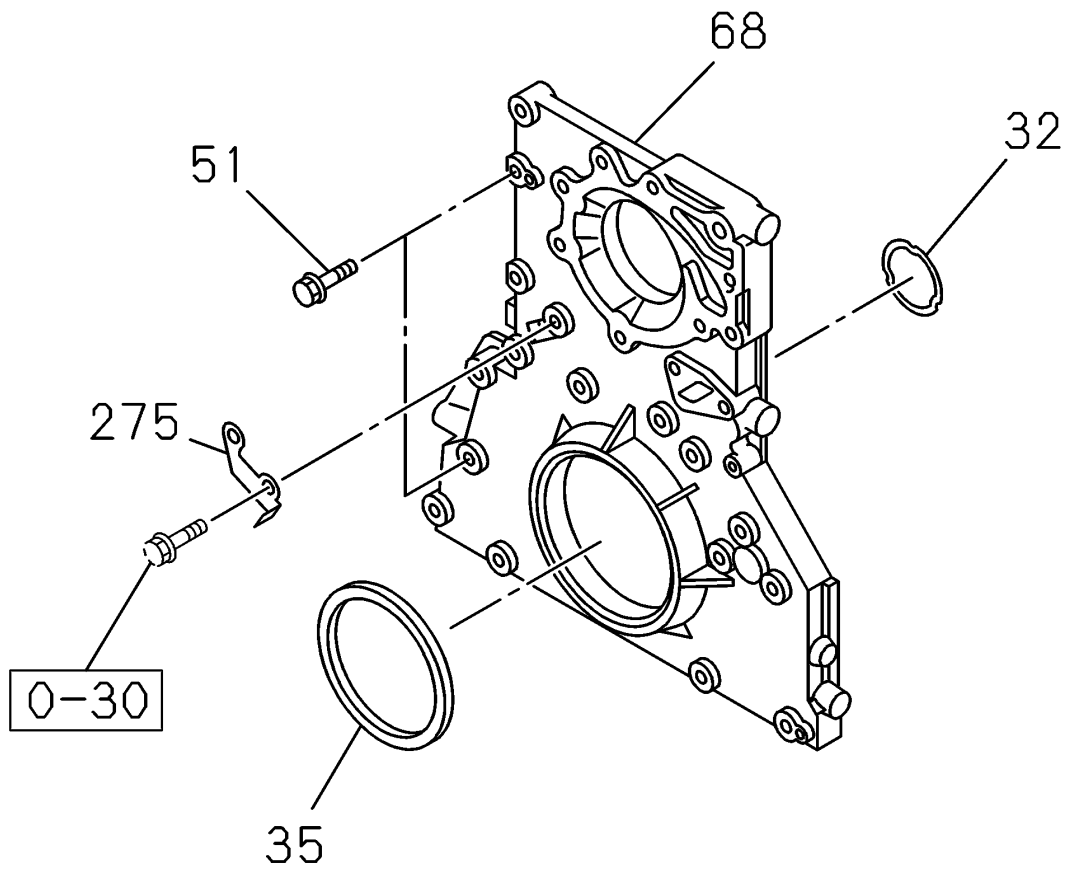
Ref	Part Number	Qty	Description
1	87379564	1	CRANKSHAFT, , Include(s) 32, 34
10	87379566	7	SET OF MAIN BRGS.STD, Blue
10	87379569	7	SET OF MAIN BRGS.STD, Black
10	87379572	7	SET OF MAIN BRGS.STD, Brown
12	87378173	1	FLYWHEEL,
18	437905A1	1	PULLEY, , Include(s) 57
20	438093A1	1	DAMPER,
22	438188A1	4	PLATE,
24	426275A1	6	BOLT,
28	87378184	1	GEAR, IDLER,
32	289770A1	2	PIN,
34	419830A1	1	PIN, SMALL,
35	438063A1	1	GEAR,
38	438140A1	1	WASHER,
40	438080A1	8	SCREW,
42A	438144A1	1	WASHER,
42B	438146A1	2	WASHER,
57	438051A1	1	PIN,
58	438192A1	4	SCREW,
63	87378185	6	PISTON, Grade= Non
68	87378526	6	KIT, PISTON RINGS,
73	438113A1	12	BEARING, CON. ROD, Green
73	438164A1	12	BEARING, CON. ROD, Yellow
83	438132A1	6	PIN,
84	87387355	6	PITMAN ASSY., , Include(s) 85, 86
85	438097A1	6	BRONZE BUSH,
86	437902A1	12	SCREW,
126	437874A1	12	CIRCLIP,



CX290B CRAWLER EXCAVATOR - TIER III (EUROPE) (1/07-)

02-020-01(01) ENGINE FLYWHEEL HOUSING

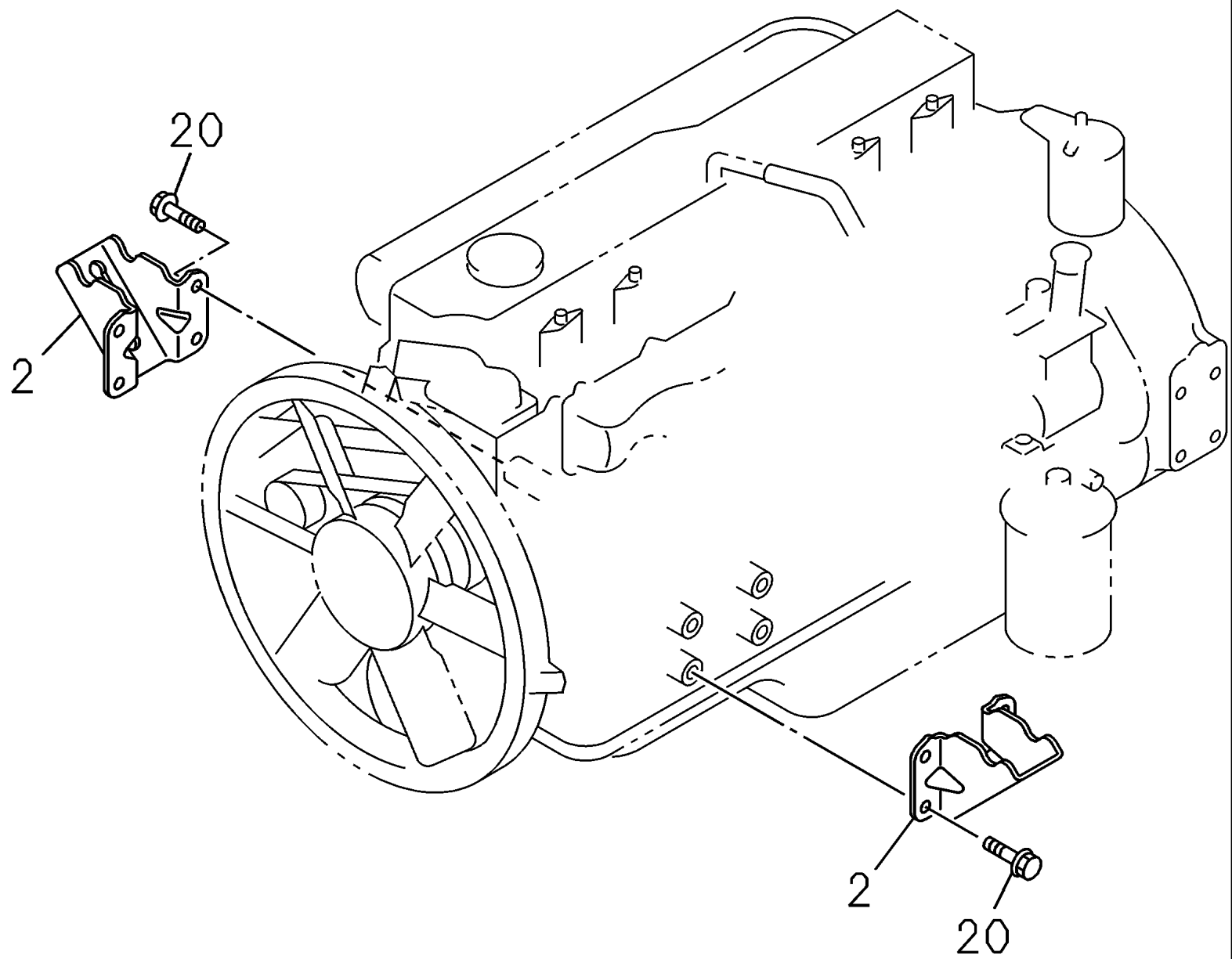
Ref	Part Number	Qty	Description
0-12 REF		1	INSTRUCTION, , See Figure(s) 02-012-01 01
0-40 REF		1	INSTRUCTION, , See Figure(s) 02-040-01 01
0-60 REF		1	INSTRUCTION, , See Figure(s) 04-060-02 01
2	87378537	1	HOUSING,
16	87378538	1	GEAR,
43	87379589	1	STUD,
62	437844A1	3	SCREW, M8 x 14
94	289044A1	1	NUT,
115A87336454		1	SENSOR,
167	87379591	1	COVER,
175	87336448	1	GASKET,
177B288982A1		1	BOLT, M6 x 16
177C288694A1		1	SCREW, M10 x 12
211	437840A1	1	SCREW, M12 x 60
211	426461A1	1	BOLT, M10 x 50
211	438086A1	1	SCREW, M14 x 27
211	438178A1	11	SCREW, M12 x 70
220	87378569	1	PLUG,
224	419947A1	2	STUD,
225	438130A1	4	STUD,
228	289995A1	1	STUD,
235	289093A1	1	PACKING,
241	438083A1	12	WASHER,
250	426626A1	2	BOLT, M8 x 18
264	87379726	1	NUT,
290	87379727	1	PLUG,
356	438091A1	1	GASKET,
479	437878A1	1	GASKET,
480	437855A1	3	SCREW,
487A438096A1		1	COVER,
487B438175A1		1	COVER,



CX290B CRAWLER EXCAVATOR - TIER III (EUROPE) (1/07-)

02-020-02(01) FRONT TIMING GEAR COVER

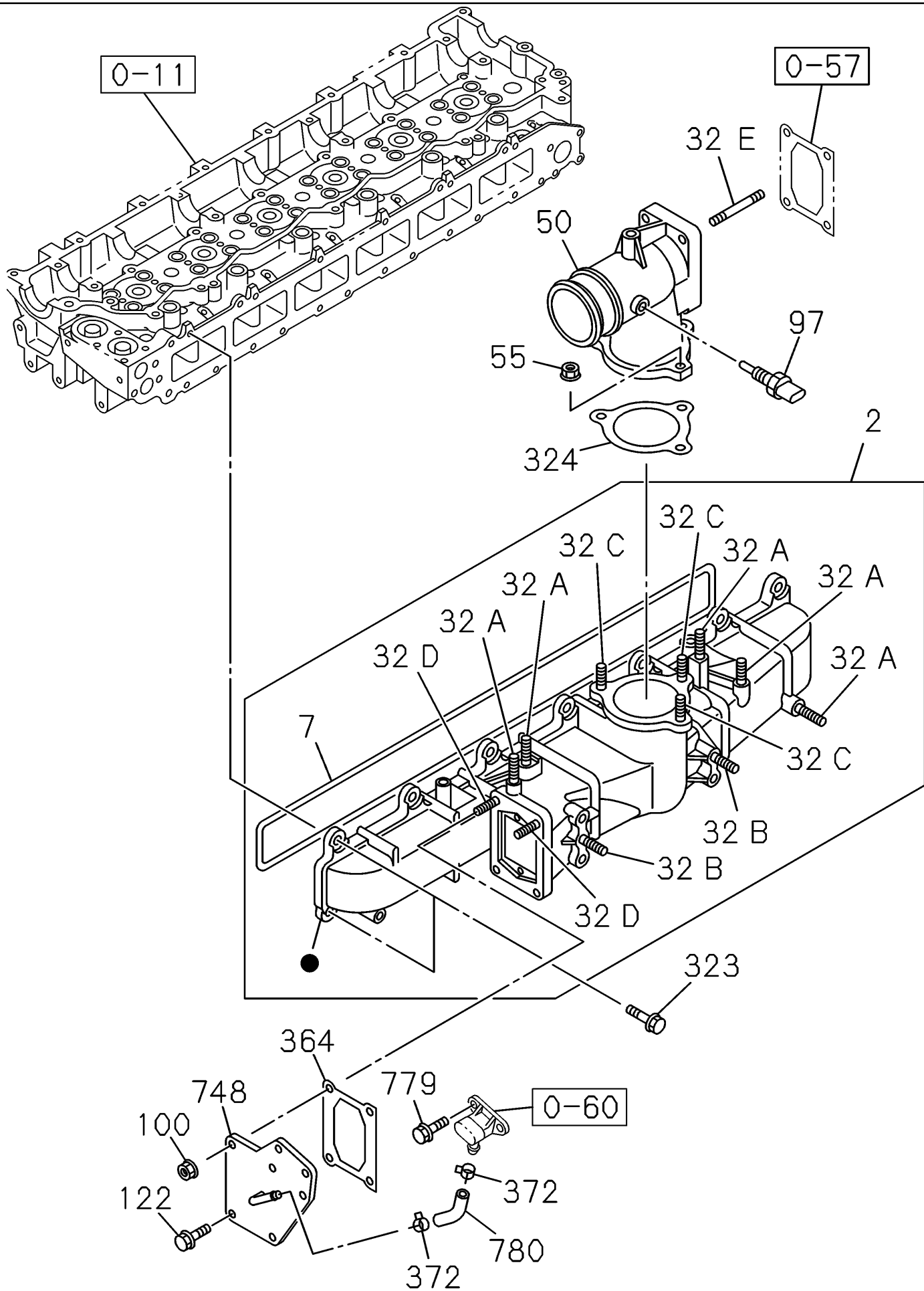
Ref	Part Number	Qty	Description
0-11 REF		1	INSTRUCTION, , See Figure(s) 02-010-01 01
0-12 REF		1	INSTRUCTION, , See Figure(s) 02-012-01 01
0-30 REF		1	INSTRUCTION, , See Figure(s) 02-030-01 01
32	438160A1	1	GASKET,
35	87454388	1	GASKET,
51	419941A1	13	BOLT,
68	437892A1	1	COVER,
115B87336455		1	SENSOR, Cam Sensor
177A288982A1		1	BOLT, M6 x 12
275	437893A1	1	INDICATOR,



CX290B CRAWLER EXCAVATOR - TIER III (EUROPE) (1/07-)

02-022-01(01) ENGINE MOUNTING

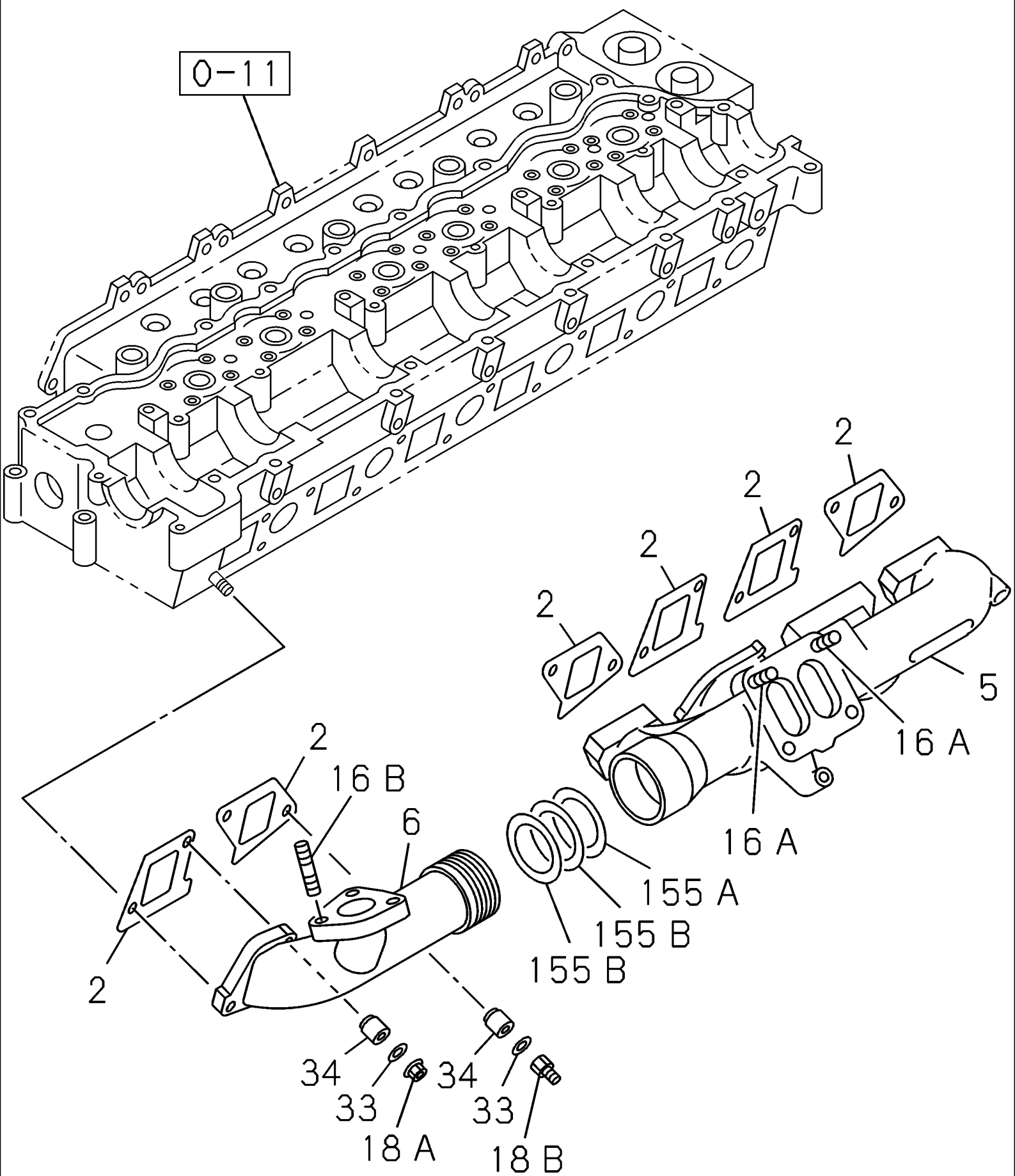
Ref	Part Number	Qty	Description
2	87378543	2	BRACKET, SUPPORTING,
20	87379728	8	BOLT,



CX290B CRAWLER EXCAVATOR - TIER III (EUROPE) (1/07-)

02-025-01(01) INTAKE PIPE

Ref	Part Number	Qty	Description
0-11 REF		1	INSTRUCTION, , See Figure(s) 02-010-01 01
0-57 REF		1	INSTRUCTION, , See Figure(s) 02-057-01 01
0-60 REF		1	INSTRUCTION, , See Figure(s) 04-060-02 01
2	87378545	1	COVER, , Include(s) 7, 32A - 32D
7	438042A1	1	GASKET,
32A	426056A1	5	STUD, M6 x 30 L=38
32B	87378546	2	STUD,
32C	289762A1	3	STUD,
32D	438182A1	2	STUD,
32E	426073A1	4	STUD,
50	87378547	1	PIPE,
55	289042A1	3	NUT,
97	87378549	1	SENSOR,
100	426067A1	2	NUT, M10
122	87379729	2	BOLT, M10 x 20
323	288996A1	12	BOLT, M8 x 25
323	87379730	2	BOLT, M8 x 23
324	87378550	1	GASKET,
364	87378551	1	GASKET,
372	87379731	2	CLIP,
748	87378552	1	BRACKET,
779	87379732	2	BOLT,
780	87378553	1	HOSE, L=50



CX290B CRAWLER EXCAVATOR - TIER III (EUROPE) (1/07-)

02-027-01(01) EXHAUST PIPE

Ref	Part Number	Qty	Description
0-11	REF	1	INSTRUCTION, , See Figure(s) 02-011-00 01
2	438085A1	6	GASKET,
5	87378554	1	MANIFOLD, EXHAUST,
6	87378555	1	MANIFOLD, EXHAUST,
16A	76600567	2	STUD,
16B	289616A1	3	STUD,
18A	426067A1	11	NUT, M10
18B	438103A1	1	NUT, M10 L51
33	426068A1	12	WASHER,
34	87379734	12	COLLAR,
155A	437934A1	1	GASKET,
155B	87378556	2	SEALRING,

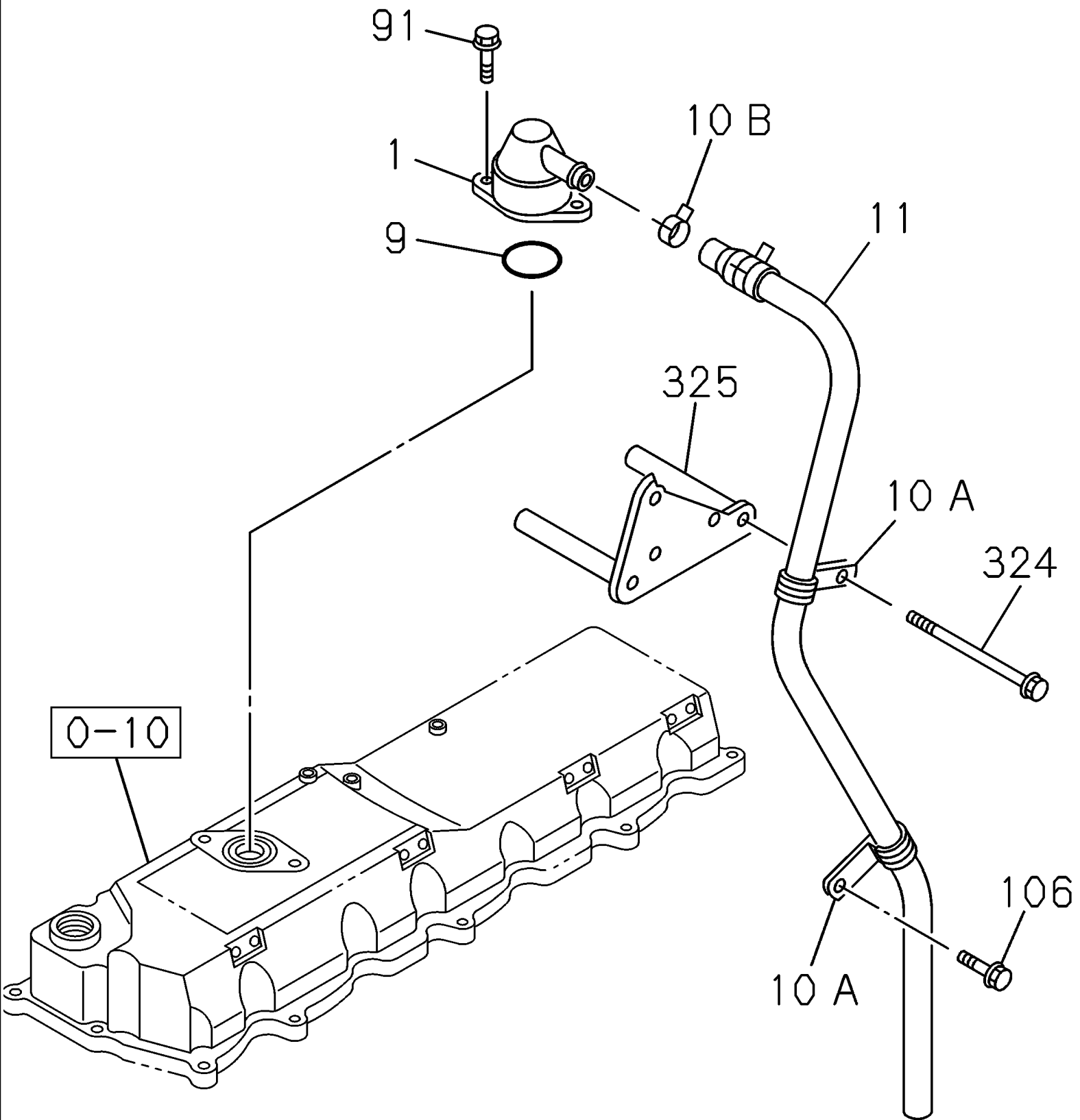


Suggest:

If the above button click is invalid.

Please download this document first, and then click the above link to download the complete manual.

Thank you so much for reading



<https://www.ebooklibonline.com>

Hello dear friend!

Thank you very much for reading.

Enter the link into your browser.

The full manual is available for immediate download.

<https://www.ebooklibonline.com>