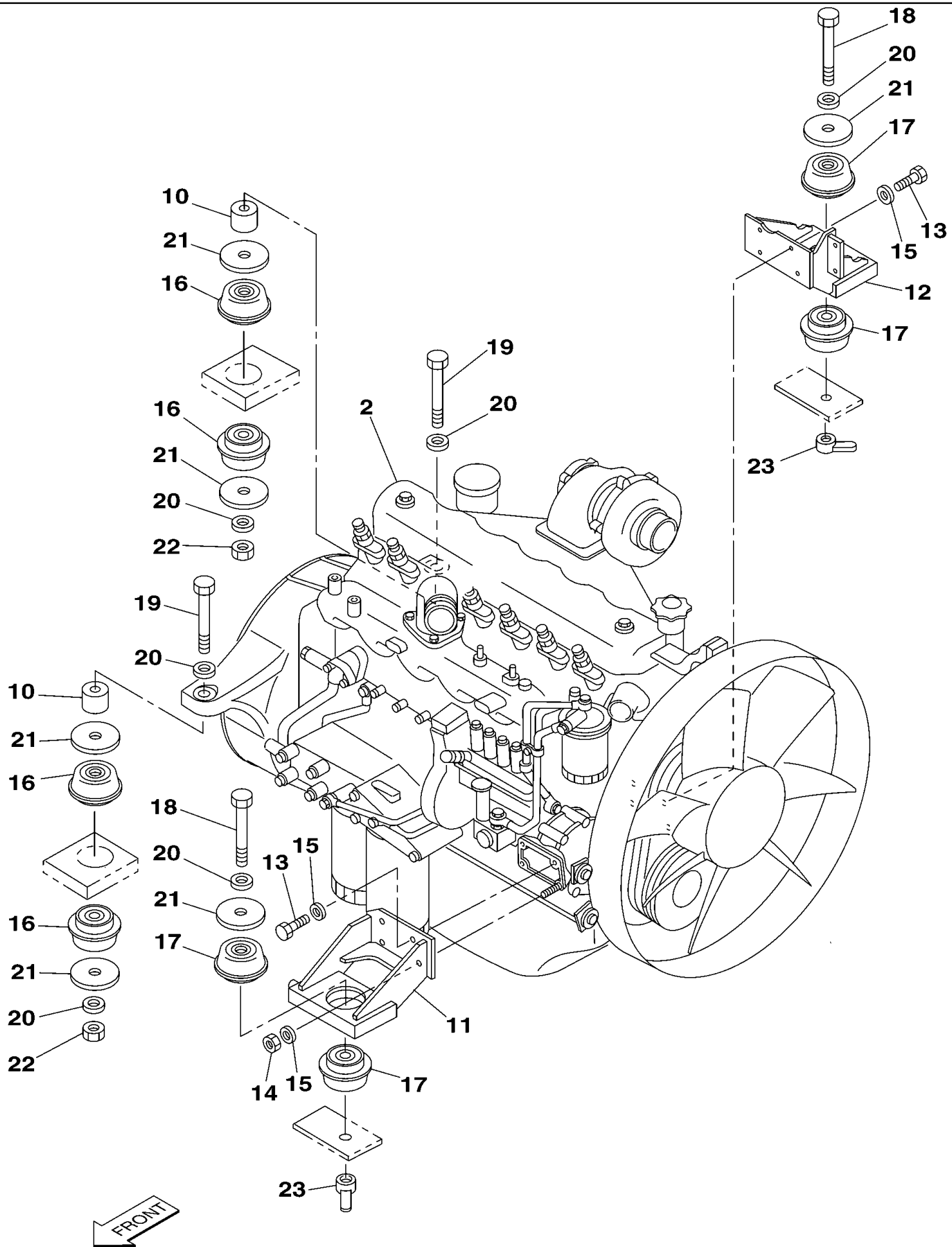




PARTS CATALOGUE

CX290
CASE CRAWLER EXCAVATOR



CX290 CASE CRAWLER EXCAVATOR (EUROPE)

02-003-00(01) ENGINE MOUNTING - ENGINE

Ref	Part Number	Qty	Description
2	KBH0916	1	ENGINE ASSY, , See Page(s) 02-017-00-01 To 02-061-00-01, 03-011-00-01 To 03-027-00-01, 04-029-00-01
10	167984A1	2	SPACER,
11	KRH1341	1	SUPPORT,
12	KHH0485	1	SUPPORT,
13	159657A1	7	BOLT, M10 x 1.25 x 25
14	153604A1	1	NUT, M10 x 1.25
15	150409A1	8	WASHER, W M 10
16	KRH1225	4	RUBBER BLOCK,
17	KRH1226	4	RUBBER BLOCK,
18	827-16140	2	BOLT, Hex, M16 x 140, 10.9, M16 x 140
19	828-16210	2	BOLT, Hex, M16 x 210, 10.9, M16 x 210
20	150814A1	6	WASHER,
21	KRH1256	6	PLATE,
22	829-1416	2	NUT, M16, CI 10, N M16
23	KRH1251	2	NUT, M16

Until DCH29B0258

<https://www.ebooklibonline.com>

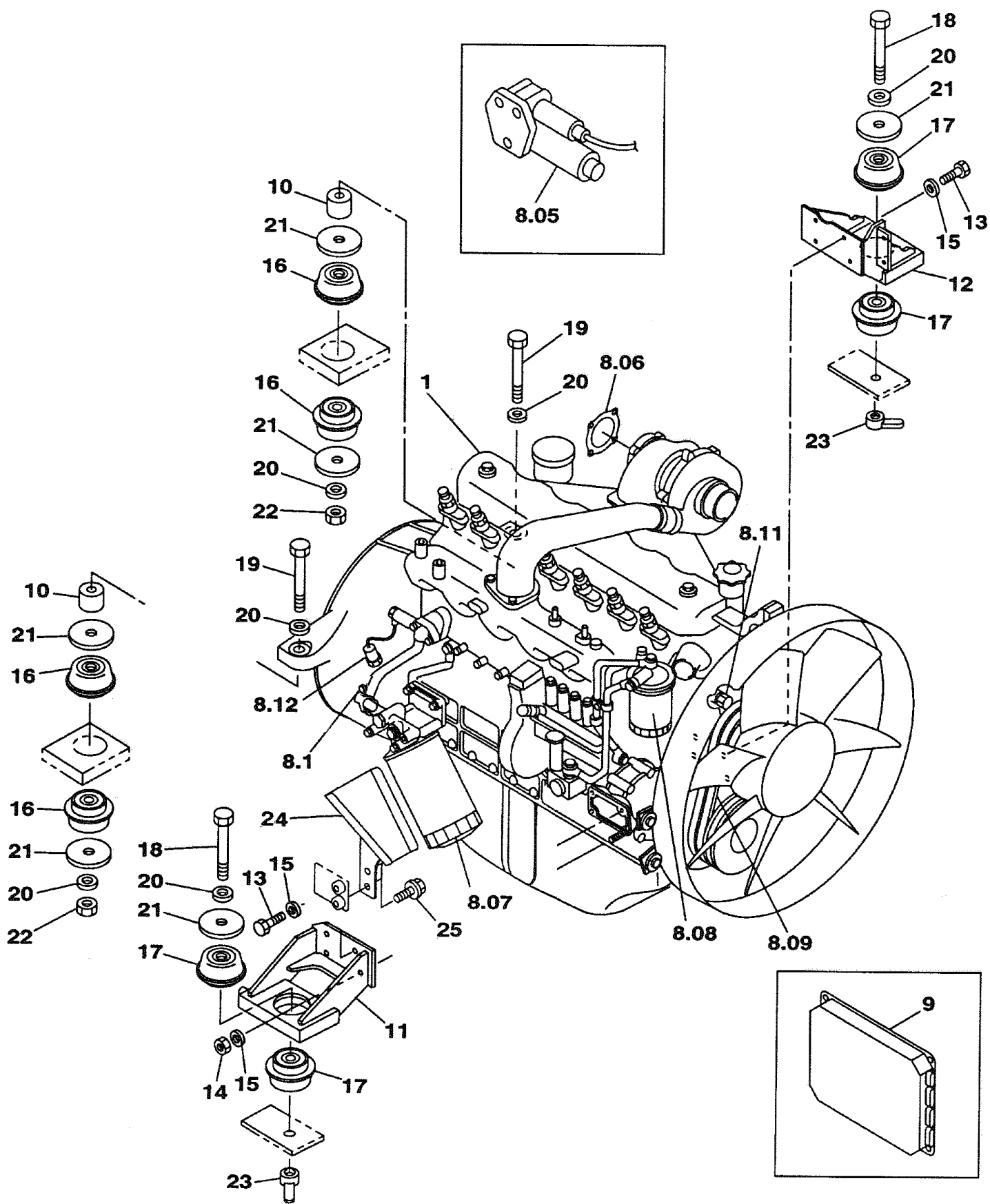
Hello dear friend!

Thank you very much for reading.

Enter the link into your browser.

The full manual is available for immediate download.

<https://www.ebooklibonline.com>



CX290 CASE CRAWLER EXCAVATOR (EUROPE)

02-003-00(02) ENGINE MOUNTING - ENGINE

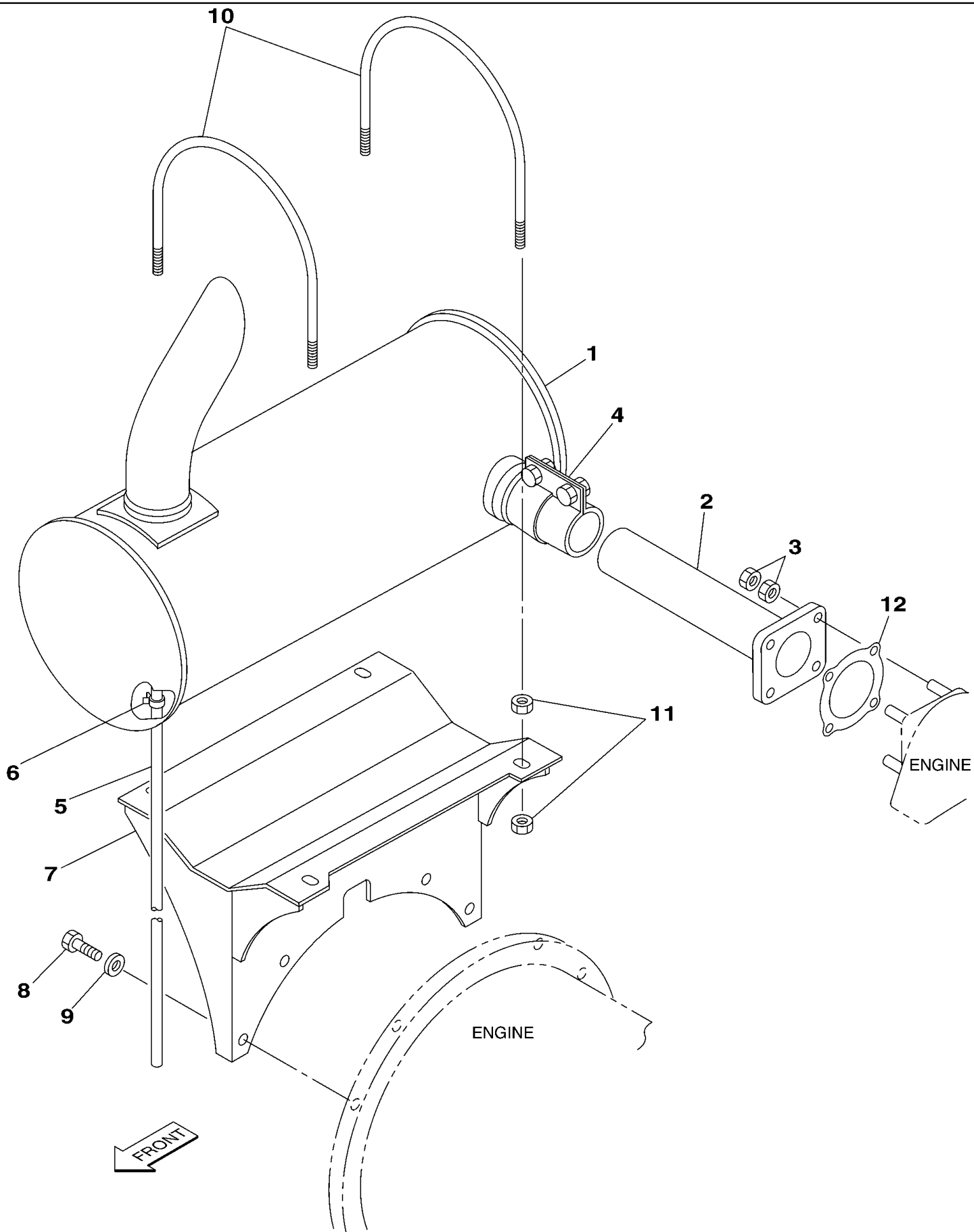
Ref	Part Number	Qty	Description
1	KBH1010	1	ENGINE, , Consists Of Ref. Numbers 8.05 To 9, Also Page(s) 02-017-00 01 To 02-061-00 01, 03-011-00 01 To 03-027-0- 01, 04-029-00 01 To 04-033-00 01
8.05	REF	1	INSTRUCTION, Motor, See Page(s) 04-029-00 01 Ref. 1
8.06	REF	1	INSTRUCTION, Gasket, See Page(s) 02-007-00 01 Ref. 12
8.07	REF	1	INSTRUCTION, Oil Filter, See Page(s) 02-039-01 01 Ref.2
8.08	REF	1	INSTRUCTION, Fuel Filter, See Page(s) 03-013-00 01 Ref. 1
8.09	REF	1	INSTRUCTION, Belt, See Page(s) 02-017-00 01 Ref. 36
8.1	REF	1	INSTRUCTION, Sensor, Temperature, See Page(s) 04-029-00 01 Ref. 7
8.11	REF	1	INSTRUCTION, Sensor, Water Temperature, See Page(s) 04-029-00 01 Ref. 16
8.12	REF	1	INSTRUCTION, Switch, Oil Pressure, See Page(s) 04-029-00 01 Ref. 6
9	REF	1	INSTRUCTION, Controler, See Page(s) 04-029-00 01 Ref. 14
10	167984A1	2	SPACER,
11	KRH1341	1	SUPPORT,
12	KHH0485	1	SUPPORT,
13	159657A1	7	BOLT, M10 x 1.25 x 25
14	153604A1	1	NUT, M10 x 1.25
15	150409A1	8	WASHER, W M 10
16	KRH1225	4	RUBBER BLOCK,
17	KRH1226	4	RUBBER BLOCK,
18	827-16140	2	BOLT, Hex, M16 x 140, 10.9, M16 x 140
19	828-16210	2	BOLT, Hex, M16 x 210, 10.9, M16 x 210
20	150814A1	6	WASHER, W 16
21	KRH1256	6	PLATE,
22	829-1416	2	NUT, M16, CI 10, N M16
23	KRH1251	2	NUT, M16
24	KHH0548	1	SUPPORT,
25	166052A1	2	BOLT, M10 x 25

DCH29B0259 And After

CX290 CASE CRAWLER EXCAVATOR (EUROPE)

02-005-00(01) AIR FILTRATION

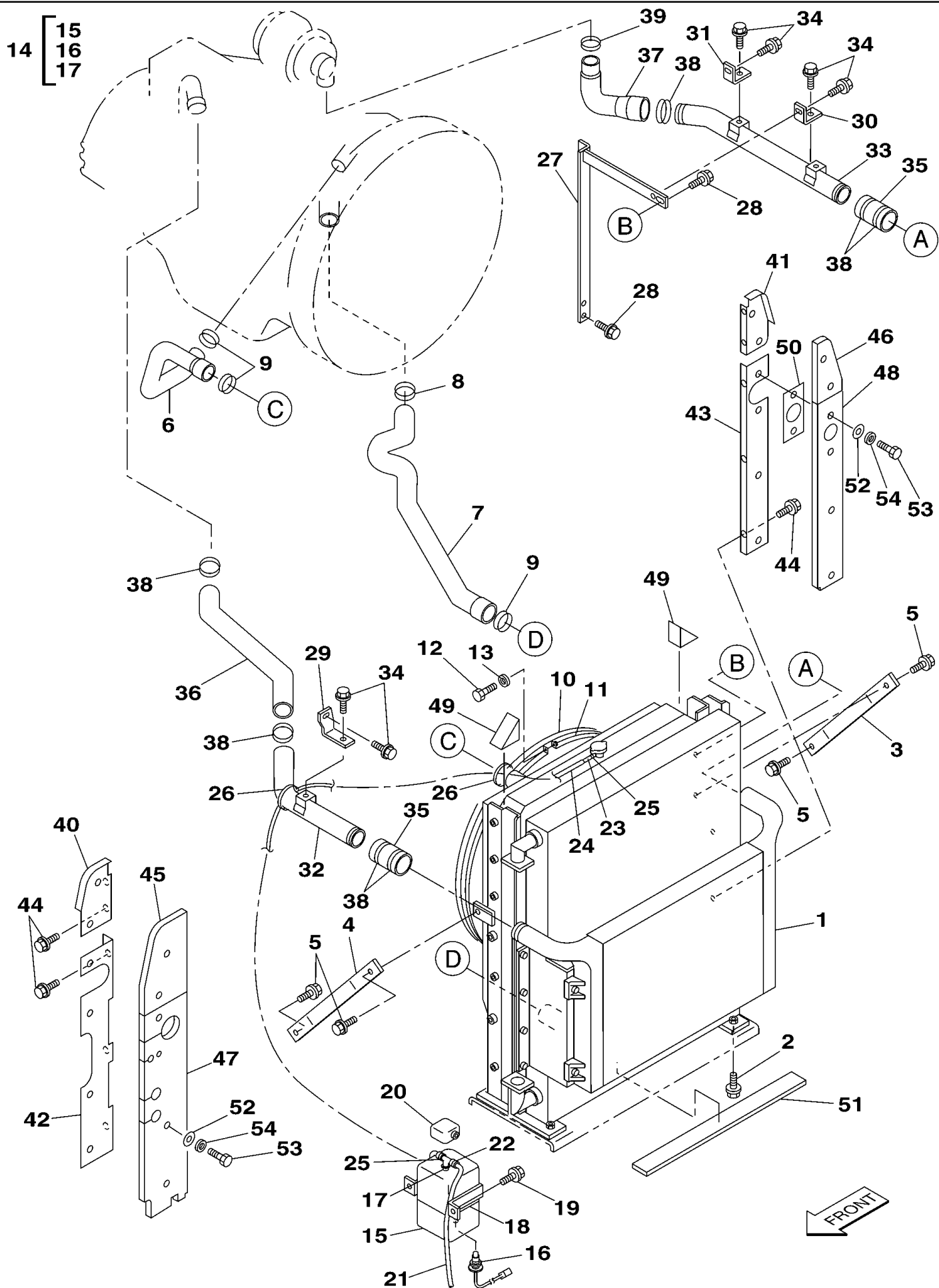
Ref	Part Number	Qty	Description
2	KBH0918	1	AIR CLEANER, , Consists Of Ref. Numbers 3-8
3	KBH0920	1	HOUSING,
4	KBH0921	1	FILTER, AIR, , Primary
5	KBH0922	1	FILTER, AIR, , Secondary
6	KBH0923	1	COVER ASSY,
7	KBH0924	1	VALVE,
8	NSS	1	NOT SERVICED SEPARATELY,
9	KBH0919	1	CAP ASSY.,
10	166052A1	4	BOLT,
11	KRH1237	1	ELBOW,
12	157779A1	1	HOSE,
13	KRH1236	1	SEAL,
14	165951A1	2	CLAMP,
15	KSH0050	1	INDICATOR,
16	KBH0902	1	HOSE, LARGE,
17	150545A1	1	CLAMP,
18	KBH0903	1	SUPPORT,
19	152718A1	4	BOLT,
20	KBH0901	1	HOSE, LARGE,
21	150902A1	3	CLAMP,



CX290 CASE CRAWLER EXCAVATOR (EUROPE)

02-007-00(01) EXHAUST

Ref	Part Number	Qty	Description
1	KBH0893	1	MUFFLER,
2	KBH0849	1	PIPE,
3	829-1408	8	NUT, M8, CI 10, , M8; 10
4	KRH1321	1	CLAMP,
5	157480A1	1	TUBE,
6	151367A1	1	CLAMP,
7	KBH0855	1	SUPPORT,
8	627-10035	4	BOLT, Hex, M10 x 35, 10.9, Full Thd, , M10 x 35; 10.9
9	150409A1	4	WASHER, , 10,5 x 21 x 3,2 mm
10	KBH0850	2	U-BOLT,
11	150472A1	8	NUT,
12	289213A1	1	GASKET,



CX290 CASE CRAWLER EXCAVATOR (EUROPE)

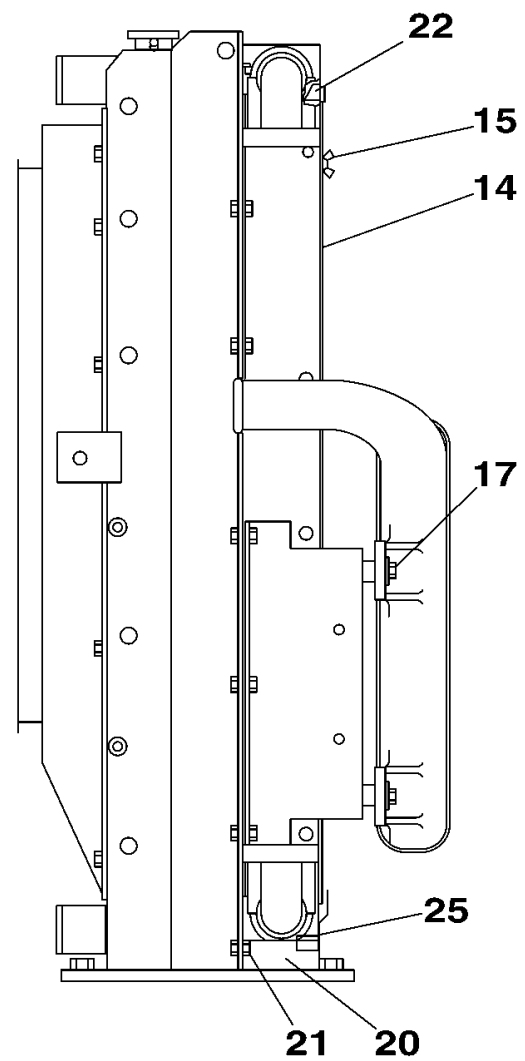
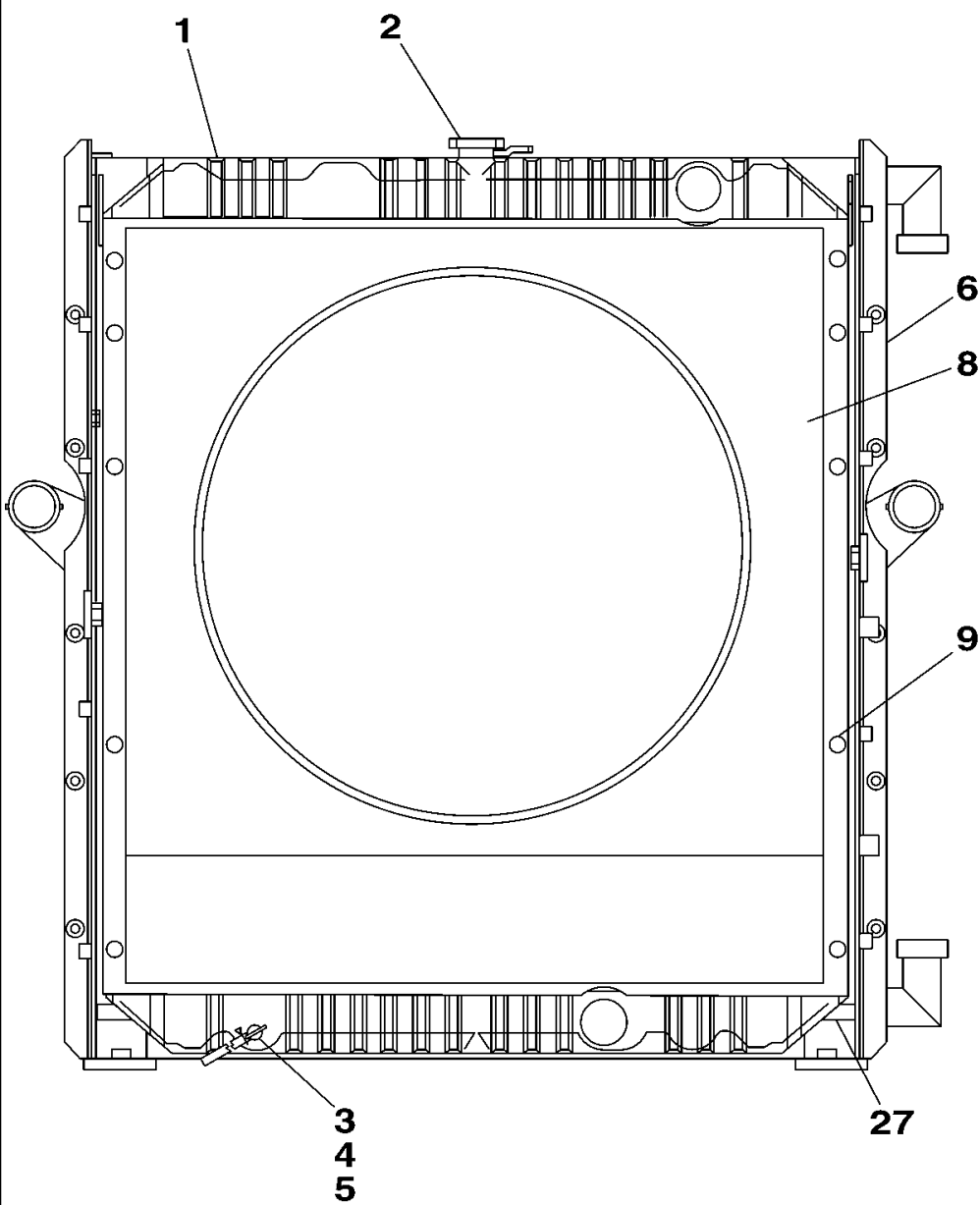
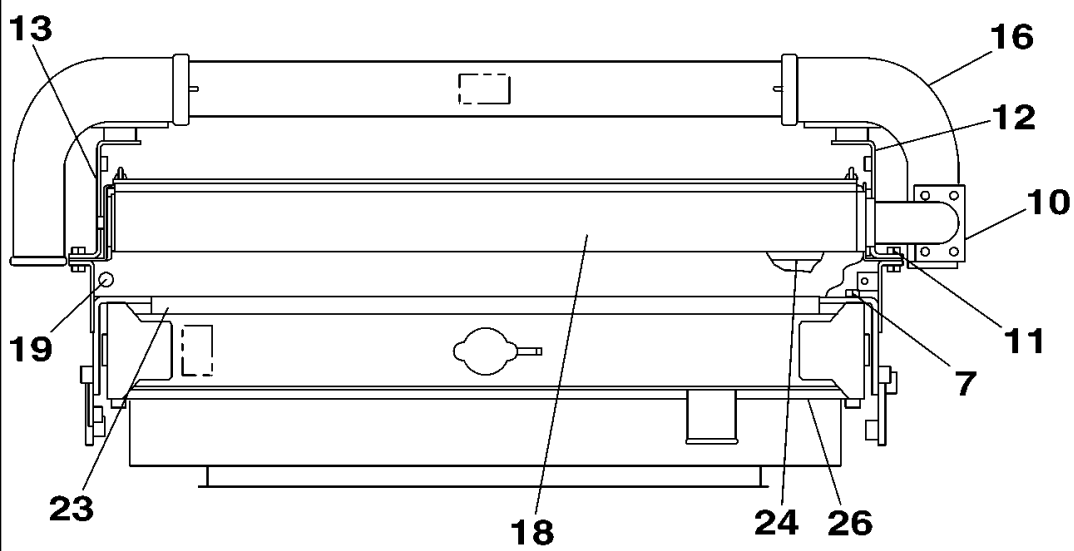
02-009-00(01) WATER CIRCUIT - RADIATOR

Ref	Part Number	Qty	Description
1	KBH0890	1	RADIATOR, , See Page(s) 02-013-00-01
2	166373A1	4	BOLT,
3	KBH0904	1	STAY,
4	KBH0905	1	STAY,
5	166373A1	4	BOLT,
6	KBH0906	1	HOSE, LARGE,
7	KBH0907	1	HOSE, LARGE,
8	165793A1	1	CLAMP,
9	165794A1	3	CLAMP,
10	KBH0935	1	RUBBER BAND,
11	KBH0936	1	BAND,
12	KRH1377	1	SCREW,
13	895-11005	1	WASHER, M5 x 10 x 1, , 5,5 x 10 x 1 mm
14	160626A1	1	RESERVOIR, , Consists Of Ref. Numbers 15-17
15	NSS	1	NOT SERVICED SEPARATELY, , Tank
16	161740A1	1	SWITCH,
17	166131A1	1	CAP,
18	KRH1435	1	HOLDER,
19	166052A1	2	BOLT,
20	157140A1	1	COVER,
21	KHH0388	1	HOSE,
22	165952A1	1	MOUNTING CLIP,
23	150740A1	1	HOSE, LARGE,
24	157138A1	1	TUBE,
25	165951A1	2	CLAMP,
26	150498A1	2	COLLAR,
27	KBH0912	1	FRAME,
28	152718A1	3	BOLT,
29	KBH0913	1	BRACKET,
30	KBH0914	1	BRACKET,
31	KBH0915	1	BRACKET,
32	KBH0908	1	PIPE,
33	KBH0909	1	PIPE,
34	152718A1	6	BOLT,
35	KRH1401	2	HOSE,
36	KBH0910	1	HOSE, LARGE,
37	KBH0911	1	HOSE, LARGE,
38	164968A1	7	CLAMP,
39	164967A1	1	CLAMP,
40	KBH0930	1	BRACKET,
41	KBH0931	1	BRACKET,
42	KBH0932	1	BRACKET,
43	KBH0933	1	BRACKET,
44	166345A1	10	BOLT,
45	KBH0925	1	SEAL,

CX290 CASE CRAWLER EXCAVATOR (EUROPE)

02-009-00(01) WATER CIRCUIT - RADIATOR

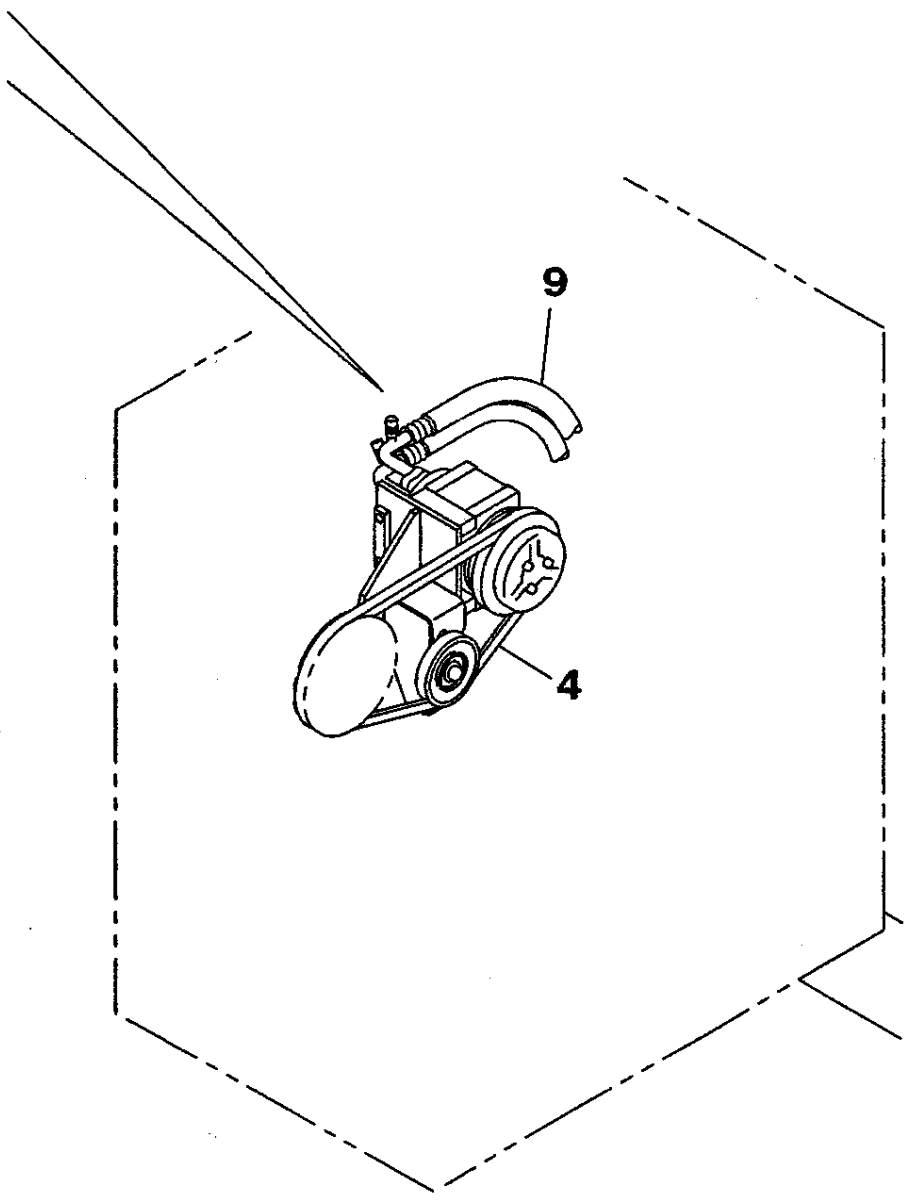
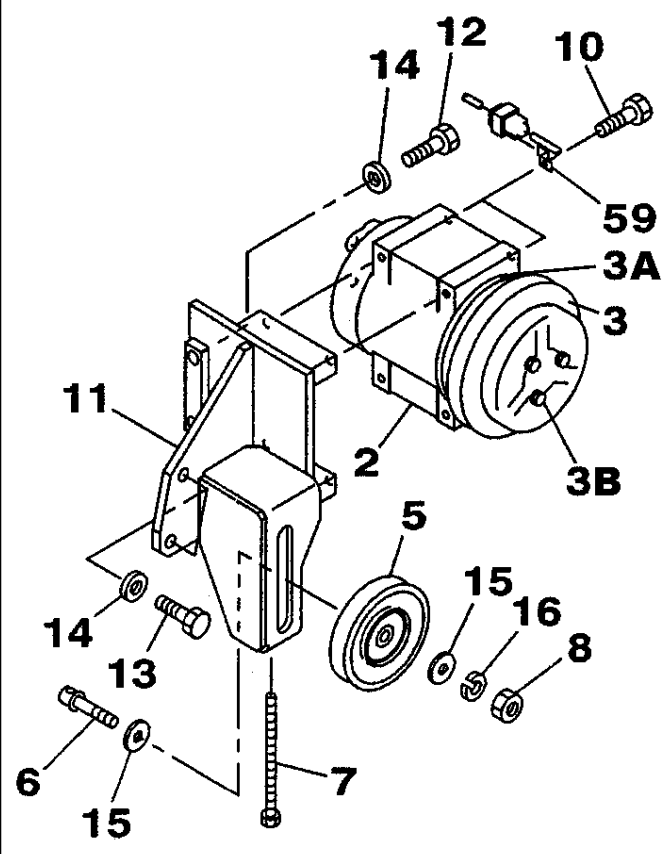
Ref	Part Number	Qty	Description
46	KBH0926	1	SEAL,
47	KBH0927	1	SEAL,
48	KBH0928	1	ANTISQUEAK,
49	KBH0934	2	SEAL,
50	KBH0929	1	RUBBER,
51	KTH0606	1	GASKET,
52	KHH0358	12	RETAINER,
53	627-8040	12	BOLT, Hex, M8 x 40, 10.9, Full Thd,
54	895-11008	12	WASHER, M8 x 16 x 1.6, 9 x 17 x 1,6 mm



CX290 CASE CRAWLER EXCAVATOR (EUROPE)

02-013-00(01) RADIATOR - OIL COOLER

Ref	Part Number	Qty	Description
	KBH0890	1	RADIATOR, , Consists Of Ref. Numbers 1-27
1	LN00087	1	RADIATOR,
2	156601A1	1	PLUG,
3	156602A1	1	COCK,
4	LK00356	1	TUBE, PLASTIC-RUBBER,
5	LA00826	1	CLIP,
6	LT00125	1	FRAME,
7	158870A1	10	BOLT,
8	LW00379	1	SHROUD,
9	LUG0028	10	BOLT,
10	LN00088	1	COOLER, OIL,
11	LA00784	10	BOLT,
12	LS00202	1	BRACKET,
13	LS00203	1	BRACKET,
14	LG00428	1	PROTECTOR,
15	156606A1	2	BOLT,
16	LN00089	1	CONDENSER,
17	LA00784	4	BOLT,
18	LR00844	1	PLATE,
19	LUG0003	2	BOLT,
20	LR00808	1	PLATE,
21	LUG0003	2	BOLT,
22	LE00970	2	FOAM,
23	LE00889	1	FOAM,
24	LE00971	1	FOAM,
25	LE00972	1	FOAM,
26	LE00971	2	FOAM,
27	LE00972	1	FOAM,

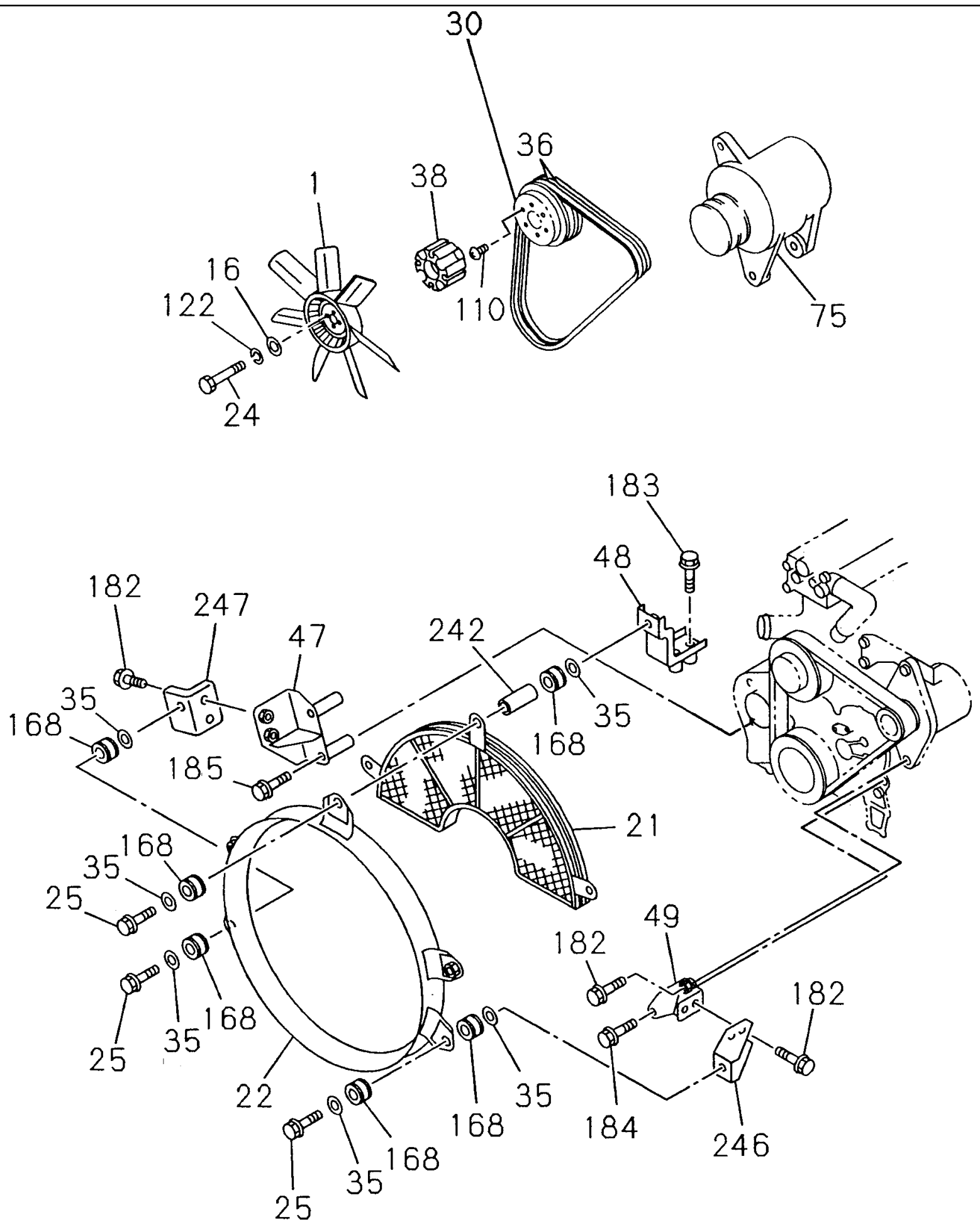


FRONT

CX290 CASE CRAWLER EXCAVATOR (EUROPE)

02-015-00(01) CAB AIR CONDITIONING - COMPRESSOR MOUNTING

Ref	Part Number	Qty	Description
2	KHR3197	1	COMPRESSOR, , Consists Of Ref. Numbers 3, 3A, 3B
3	KHR3198	1	CLUTCH,
3A	KHR3974	1	COVER, PROTECTIVE,
3B	KHR3975	3	BOLT,
4	159639A1	1	V-BELT,
5	157296A1	1	PULLEY,
6	157299A1	1	SHAFT,
7	159644A1	1	BOLT,
8	157292A1	1	NUT, , M10
9	REF	1	INSTRUCTION, , Hose, See Page(s) 09-069-00-01
10	KAR0921	4	SCREW,
11	KBR0767	1	SUPPORT,
12	827-10040	2	BOLT, Hex, M10 x 40, 10.9, Full Thd, , M10 x 40
13	167472A1	2	BOLT,
14	150409A1	4	WASHER, , 10,5 x 21 x 3,2 mm
15	151977A1	2	WASHER,
16	892-11010	1	WASHER, LOCK, M10, , W10
59	158962A1	1	CLIP,

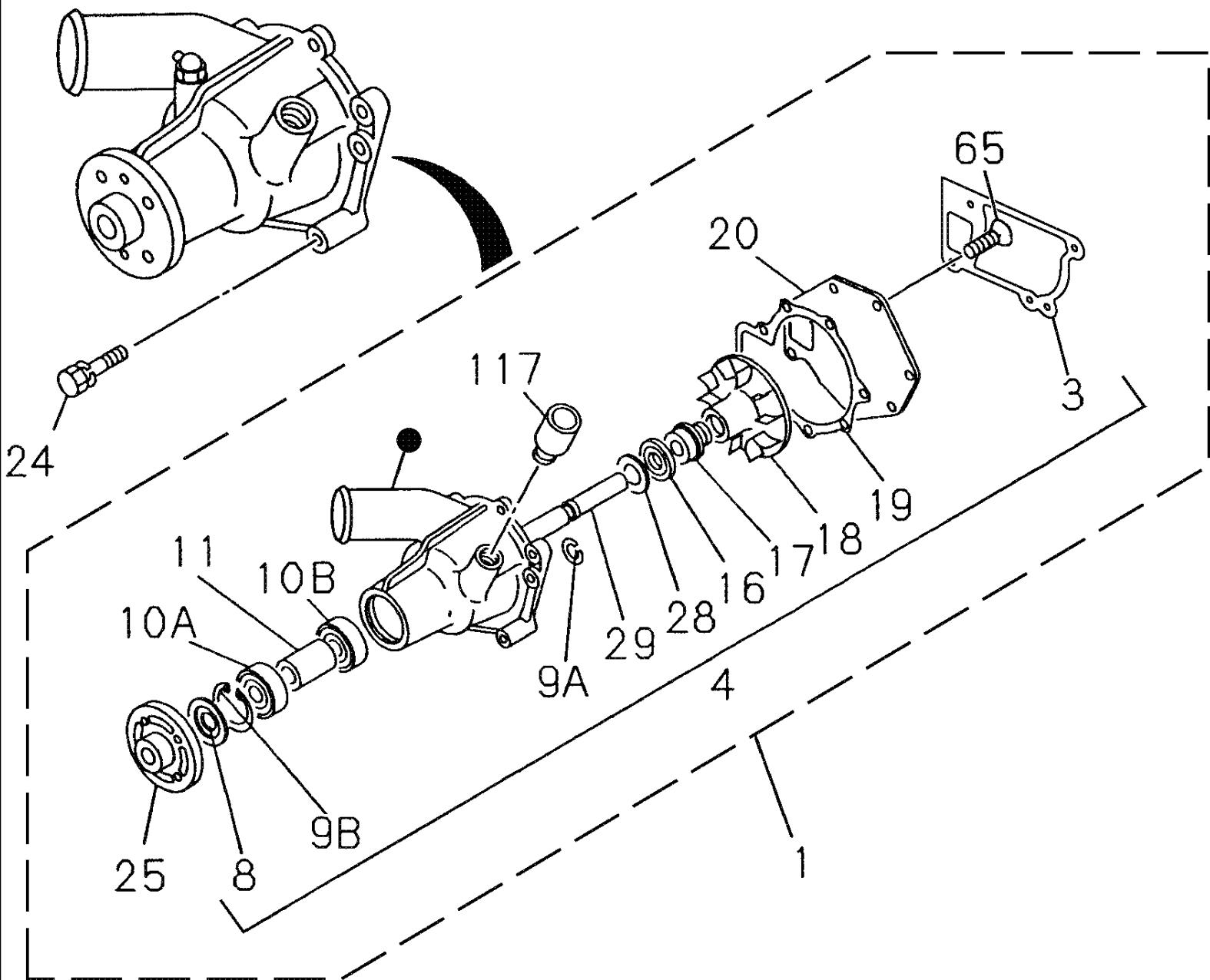


CX290 CASE CRAWLER EXCAVATOR (EUROPE)

02-017-00(01) DRIVE BELT GUARD - VENTILATOR

Ref	Part Number	Qty	Description
1	447004A1	1	FAN,
16	289797A1	4	WASHER,
21	447005A1	1	GUIDE,
22	447006A1	1	GUIDE,
24	288712A1	4	SCREW,
25	288700A1	3	SCREW, M10 x 45
30	447003A1	1	PULLEY,
35	419722A1	6	WASHER,
36	445957A1	1	BELT, , Set Of 3
38	288755A1	1	SPACER,
47	419723A1	1	BRACKET, , Replaced By 87329009
47	87329009	1	BRACKET,
48	447007A1	1	BRACKET,
49	447008A1	1	BRACKET,
75	447025A1	1	ALTERNATOR, 24V-50Amp, See Page(s) 04-033-00-01
110	289760A1	2	SCREW,
122	289782A1	4	WASHER, W8
168	419726A1	6	WASHER, RUBBER,
182	289000A1	4	BOLT, M10 x 25; 10,9
183	355652A1	2	SCREW, M10 x 60; 10,9
184	288986A1	1	BOLT,
185	288983A1	2	BOLT,
242	419731A1	3	TUBE,
246	447009A1	1	STAY,
247	447010A1	1	STAY,

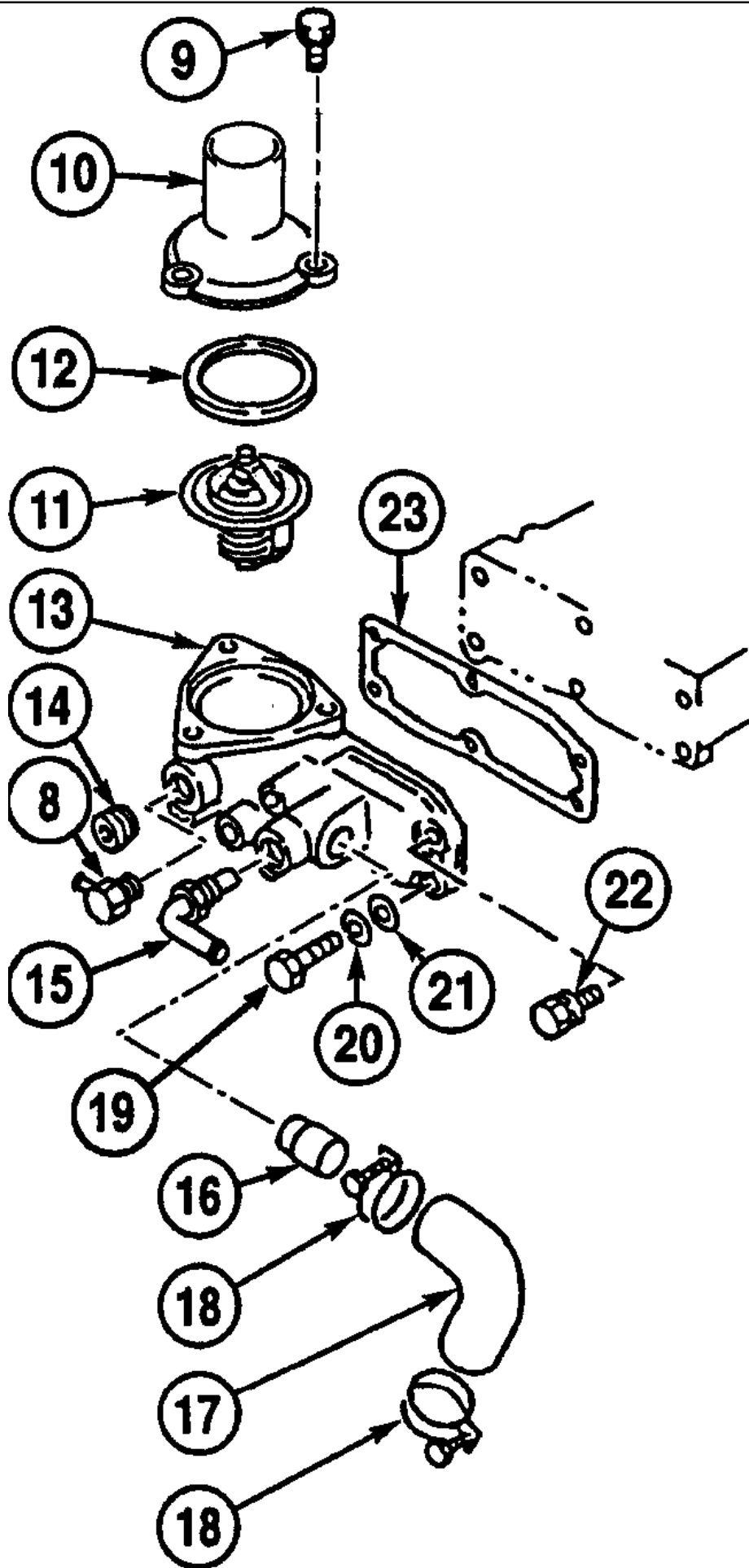
CX290LC DCH29B0101- / CX290NLC DCH29B0101-



CX290 CASE CRAWLER EXCAVATOR (EUROPE)

02-019-00(01) WATER PUMP

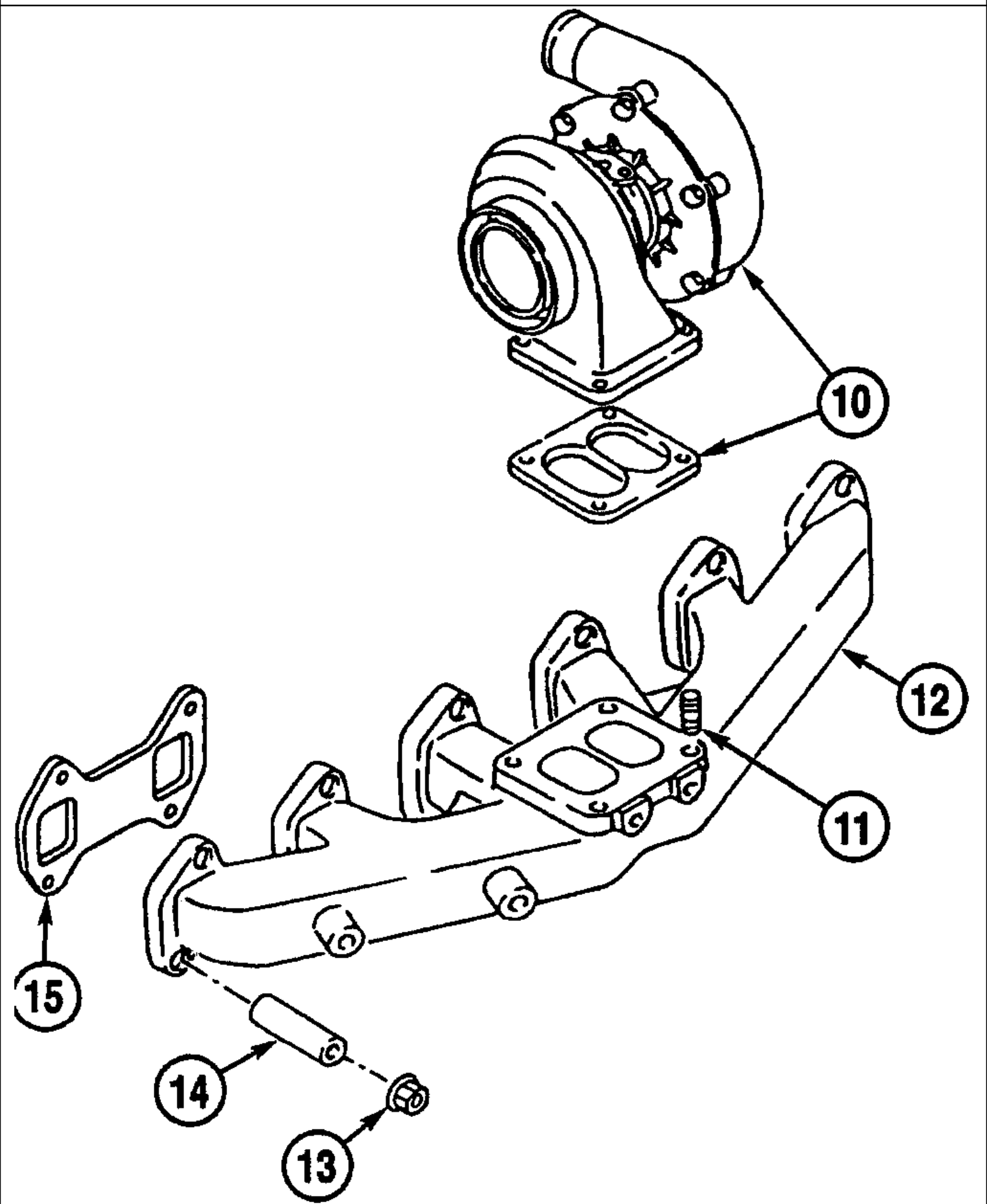
Ref	Part Number	Qty	Description
1	288878A1	1	PUMP, WATER, , Consists Of Ref. Numbers 4, 10A-20, 25, 65, 117
3	289654A1	1	GASKET,
4	288877A1	1	KIT, GASKET, , Consists Of Ref. Numbers 3, 8, 9A, 9B, 16-19, 28, 29
8	289485A1	1	DUST CAP,
9A	289851A1	1	RING,
9B	289801A1	1	RING,
10A	289433A1	1	BEARING,
10B	289432A1	1	BEARING,
11	289484A1	1	SPACER,
16	87438342	1	GASKET,
17	288844A1	1	GASKET,
18	288845A1	1	IMPELLER,
19	288843A1	1	GASKET,
20	288842A1	1	HOOD,
24	288990A1	1	BOLT,
24	288989A1	2	BOLT,
24	289001A1	1	BOLT, , M10 x 32; 10,9
25	289488A1	1	FLANGE,
28	289071A1	1	WASHER,
29	289194A1	1	SHAFT,
65	289759A1	3	SCREW,
117	419713A1	1	CONNECTOR,



CX290 CASE CRAWLER EXCAVATOR (EUROPE)

02-021-00(01) WATER CIRCUIT - THERMOSTAT

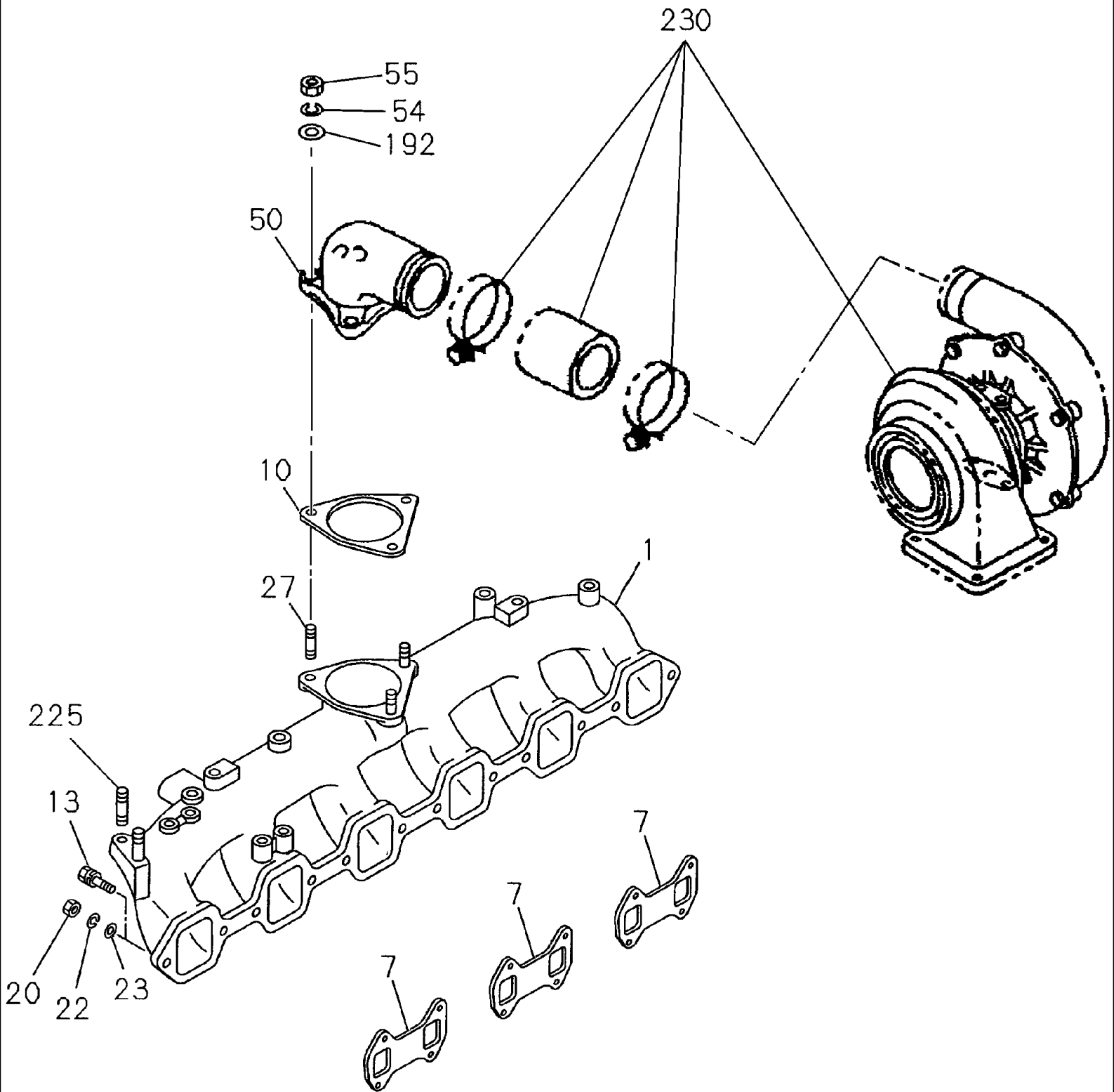
Ref	Part Number	Qty	Description
8	288816A1	1	TUBE,
9	288695A1	1	SCREW, , M8 x 22
9	419941A1	2	BOLT, , M8 x 35
10	419714A1	1	TUBE,
11	289205A1	1	THERMOSTAT,
12	289204A1	1	PACKING,
13	289491A1	1	HOUSING,
14	289415A1	1	PLUG,
15	288815A1	1	TUBE,
16	419717A1	1	TUBE,
17	288834A1	1	HOSE, LARGE,
18	289426A1	2	CLIP,
19	288973A1	3	BOLT,
20	289783A1	3	WASHER,
21	289788A1	3	WASHER,
22	289001A1	1	BOLT, , M10 x 32; 10,9
23	433822A1	1	GASKET,



CX290 CASE CRAWLER EXCAVATOR (EUROPE)

02-023-00(01) EXHAUST PIPE

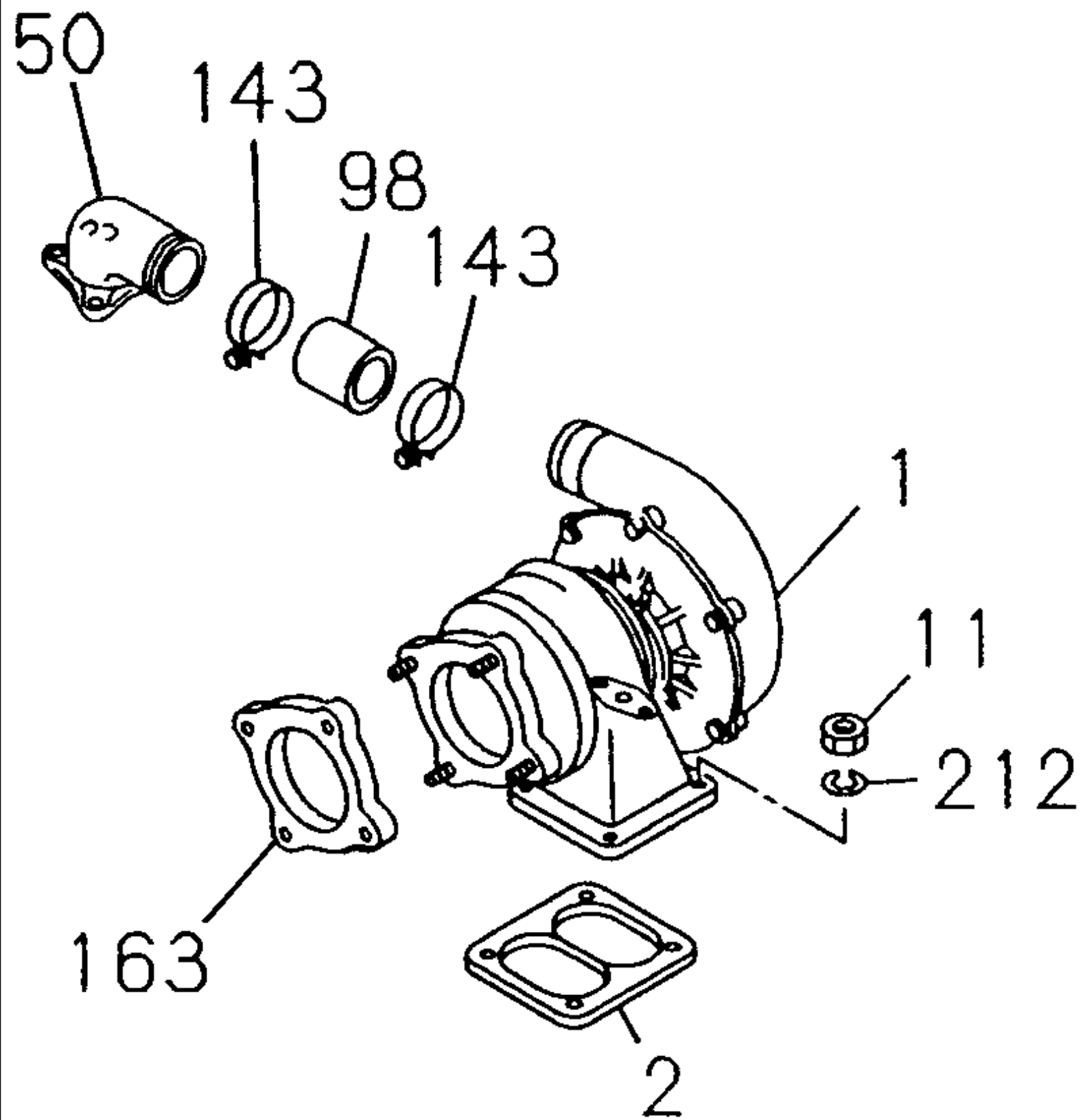
Ref	Part Number	Qty	Description
10	REF	1	INSTRUCTION, , Turbocharger Assy, See Page(s) 02-027-00-01
11	289765A1	3	STUD,
11	289062A1	1	STUD,
12	289210A1	1	MANIFOLD,
13	289068A1	12	NUT,
14	289214A1	12	TUBE,
15	289667A1	3	GASKET,



CX290 CASE CRAWLER EXCAVATOR (EUROPE)

02-025-00(01) INTAKE PIPE

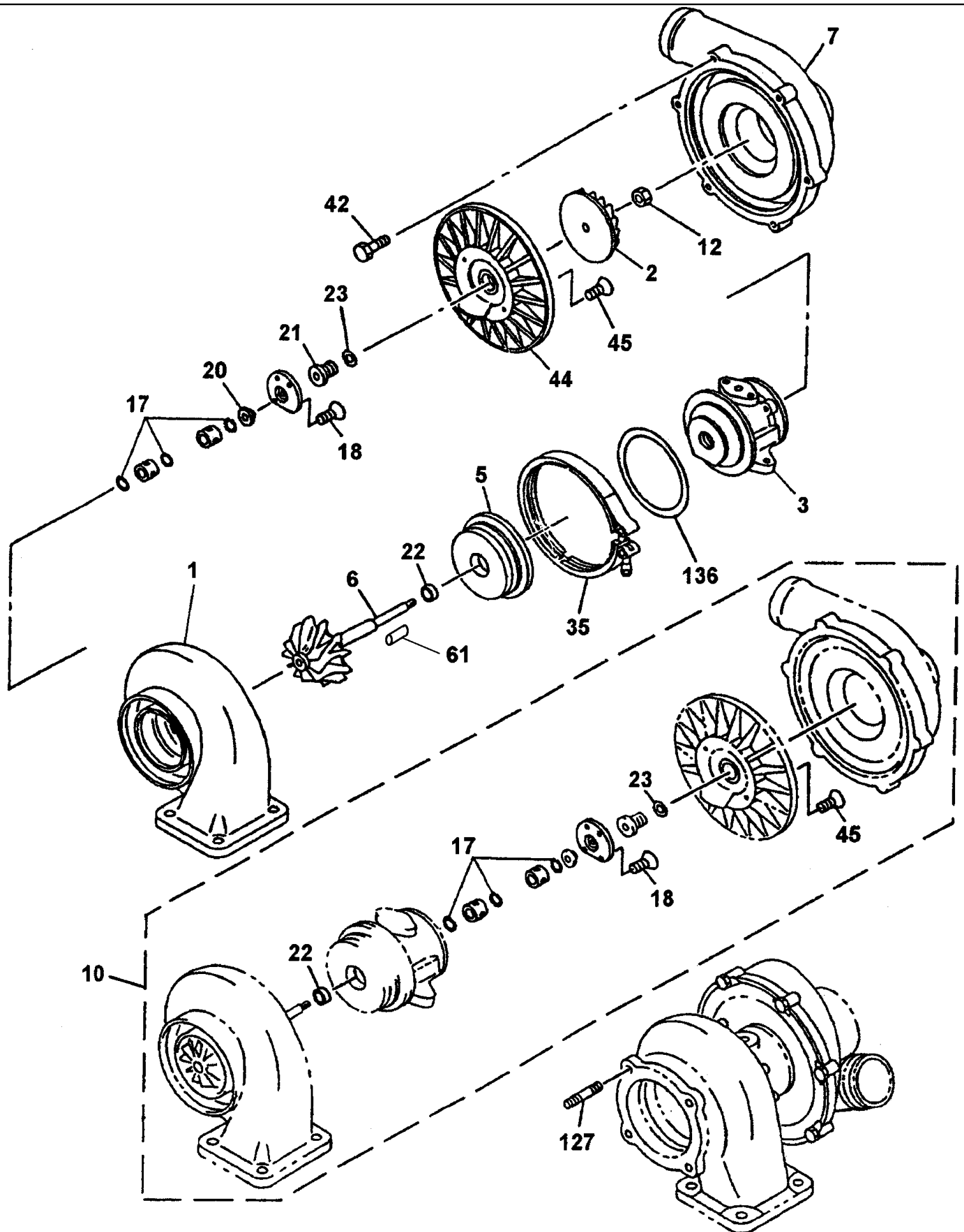
Ref	Part Number	Qty	Description
1	447000A1	1	MANIFOLD,
7	419709A1	3	PACKING, , Replaced By 87448397
7	87448397	3	PACKING,
10	289208A1	1	PACKING,
13	289035A1	6	BOLT,
20	289775A1	6	NUT, , M8
22	289782A1	6	WASHER, , W8
23	289787A1	6	WASHER, , M8
27	447001A1	3	STUD,
50	447002A1	1	PIPE,
54	289782A1	3	WASHER, , W8
55	289775A1	3	NUT, , M8
192	289787A1	3	WASHER, , M8
225	289764A1	2	STUD,
230	REF	1	INSTRUCTION, , Turbocharger, See Page(s) 02-027-00-01, 02-029-00-01



CX290 CASE CRAWLER EXCAVATOR (EUROPE)

02-027-00(01) TURBOCHARGER

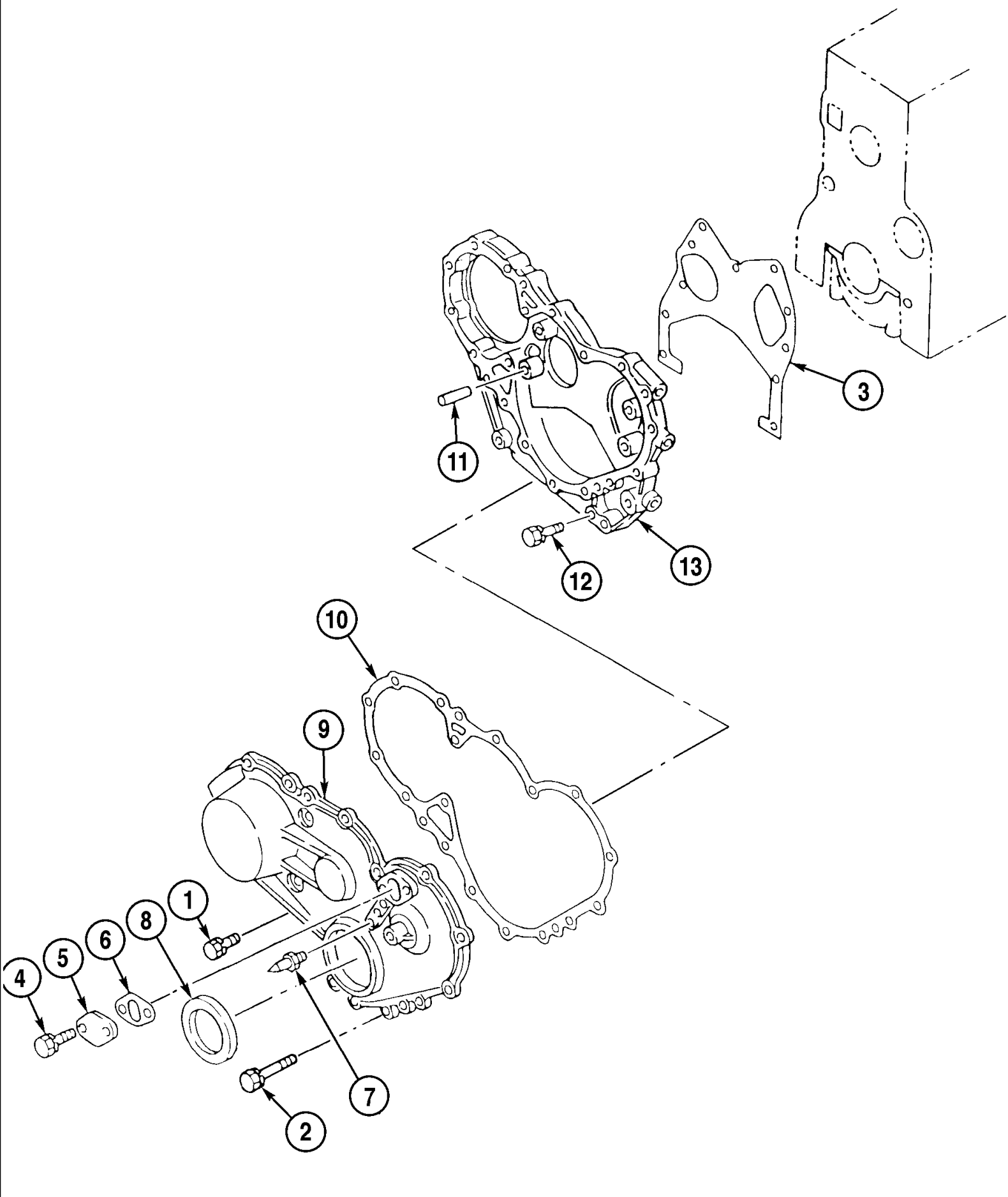
Ref	Part Number	Qty	Description
1	447011A1	1	TURBOCHARGER, , See Page(s) 02-029-00-01
2	289212A1	1	GASKET,
11	289831A1	3	NUT,
11	289065A1	1	NUT,
50	447002A1	1	PIPE, , See Page(s) 02-025-00-01
98		1	Hose
143		2	Clamp
163	289213A1	1	GASKET,
212	289070A1	4	WASHER,



CX290 CASE CRAWLER EXCAVATOR (EUROPE)

02-029-00(01) TURBOCHARGER

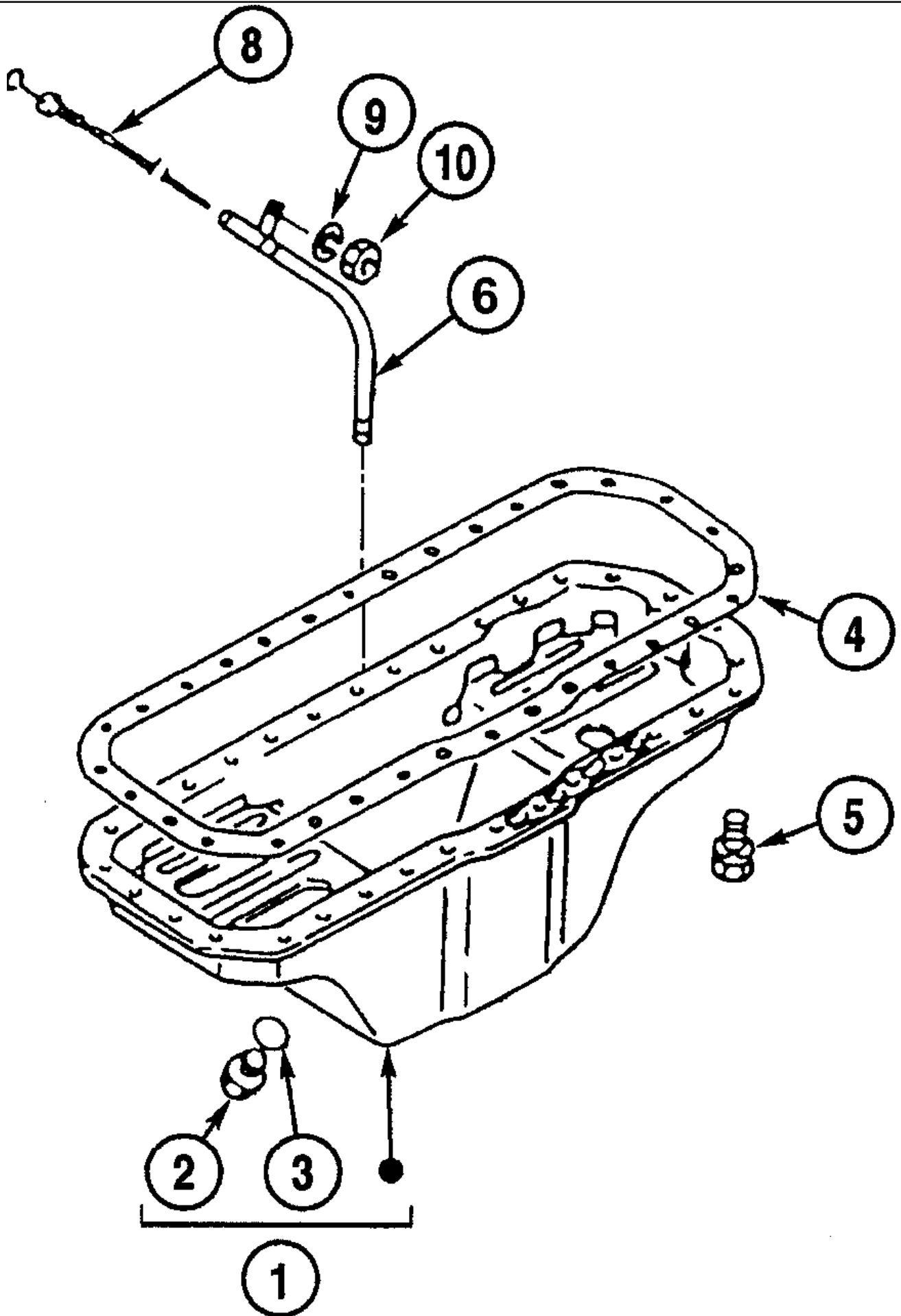
Ref	Part Number	Qty	Description
	447011A1	1	TURBOCHARGER, , Consists Of Ref. Numbers 1-136
1	447188A1	1	HOUSING,
2	447189A1	1	IMPELLER,
3	437938A1	1	HOUSING,
5	447190A1	1	PROTECTOR,
6	447191A1	1	SHAFT,
7	447192A1	1	HOUSING,
10	437942A1	1	KIT, , Consists Of Ref. Numbers 17, 18, 22, 23, 45
12	289066A1	1	NUT,
17	289230A1	3	RING,
18	437866A1	4	SCREW,
20	447193A1	1	BUSHING,
21	447194A1	1	SHROUD,
22	289228A1	1	RING,
23	289227A1	1	RING,
35	438169A1	1	CLAMP,
42	447195A1	6	BOLT,
44	447196A1	1	PLATE,
45	437865A1	4	SCREW,
61	438168A1	1	PIN,
127	289763A1	4	BOLT,
136	437937A1	1	GASKET,



CX290 CASE CRAWLER EXCAVATOR (EUROPE)

02-031-00(01) FRONT TIMING GEAR COVER

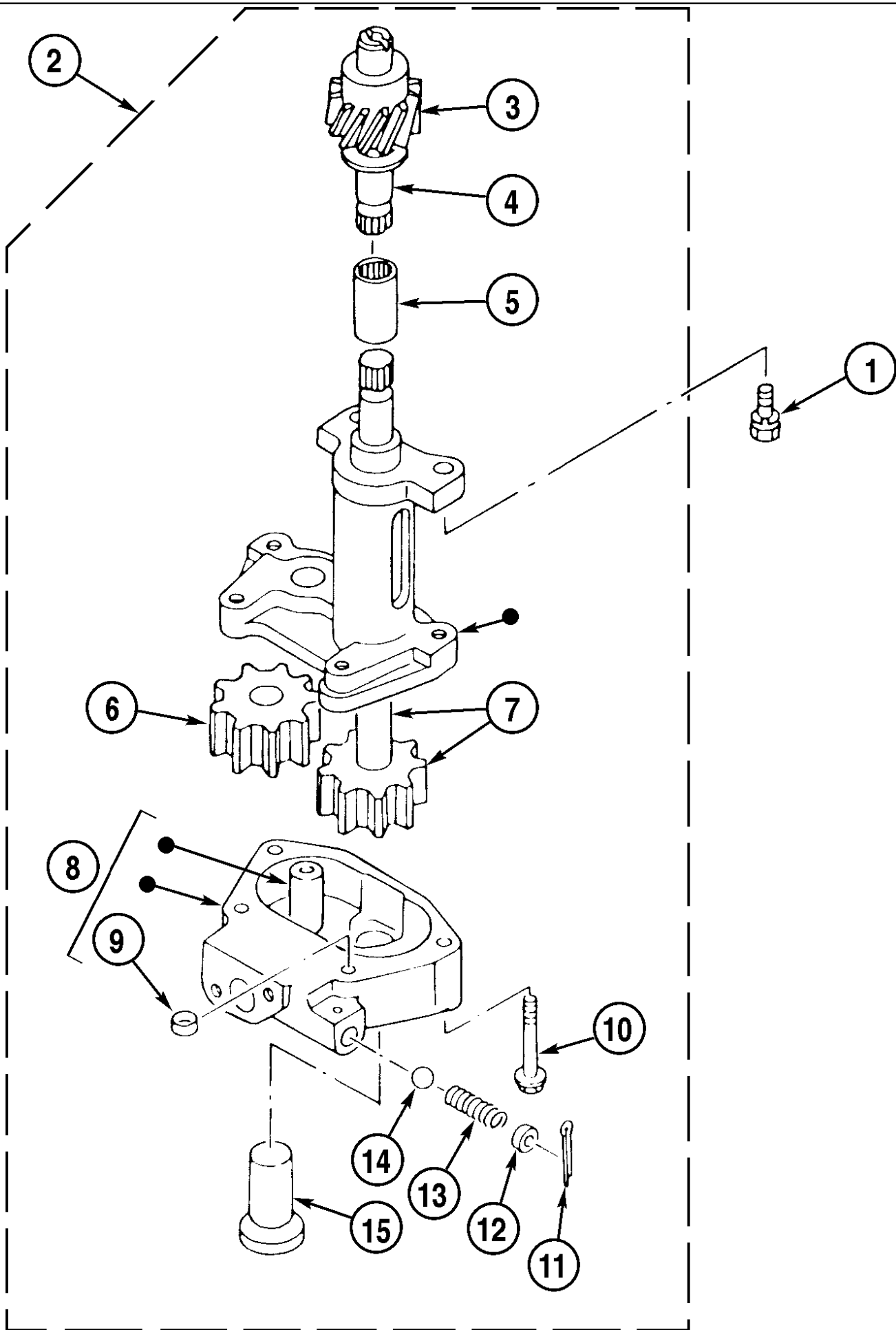
Ref	Part Number	Qty	Description
1	288996A1	6	BOLT, , M8 x 25; 10,9
2	288986A1	3	BOLT,
3	289658A1	1	PACKING,
4	288982A1	4	BOLT, , M6 x 14; 10,9
5	355271A1	2	COVER,
6	289707A1	2	PACKING,
7	289447A1	1	POINTER,
8	289090A1	1	SEAL,
9	289131A1	1	COVER,
10	289699A1	1	PACKING,
11	289771A1	1	PIN,
12	288985A1	2	BOLT,
12	288995A1	4	BOLT,
13	289445A1	1	CASE,



CX290 CASE CRAWLER EXCAVATOR (EUROPE)

02-033-00(01) OIL PAN

Ref	Part Number	Qty	Description
1	288729A1	1	PAN, ENGINE OIL, , Consists Of Ref. Numbers 2, 3
2	289820A1	1	PLUG,
3	288713A1	1	GASKET,
4	289134A1	2	PACKING, , Replaced By 87328786
4	87328786	2	PACKING,
5	362154A1	32	BOLT, M8 x 18
6	288737A1	1	TUBE, , Consists Of Ref. Number 7
7	289418A1	2	PACKING, , Not Illustrated
8	288736A1	1	DIPSTICK,
9	289782A1	1	WASHER, W8
10	289777A1	1	NUT, M8



CX290 CASE CRAWLER EXCAVATOR (EUROPE)

02-035-00(01) ENGINE OIL PUMP

Ref	Part Number	Qty	Description
1	289000A1	2	BOLT, , M10 x 25; 10.9
2	289168A1	1	PUMP, ENGINE OIL, , Consists Of Ref. Numbers 3-15
3	289172A1	1	PINION,
4	289876A1	1	COLLAR,
5	289171A1	1	COUPLING,
6	289474A1	1	GEAR,
7	289473A1	1	GEAR,
8	289169A1	1	COVER, , Consists Of Ref. Number 9
9	289170A1	1	BUSHING,
10	289052A1	4	BOLT, , M8 x 60
11	289769A1	1	PIN,
12	289475A1	1	SEAT,
13	289413A1	1	SPRING,
14	289435A1	1	BALL,
15	289173A1	1	STRAINER ASSY.,



Suggest:

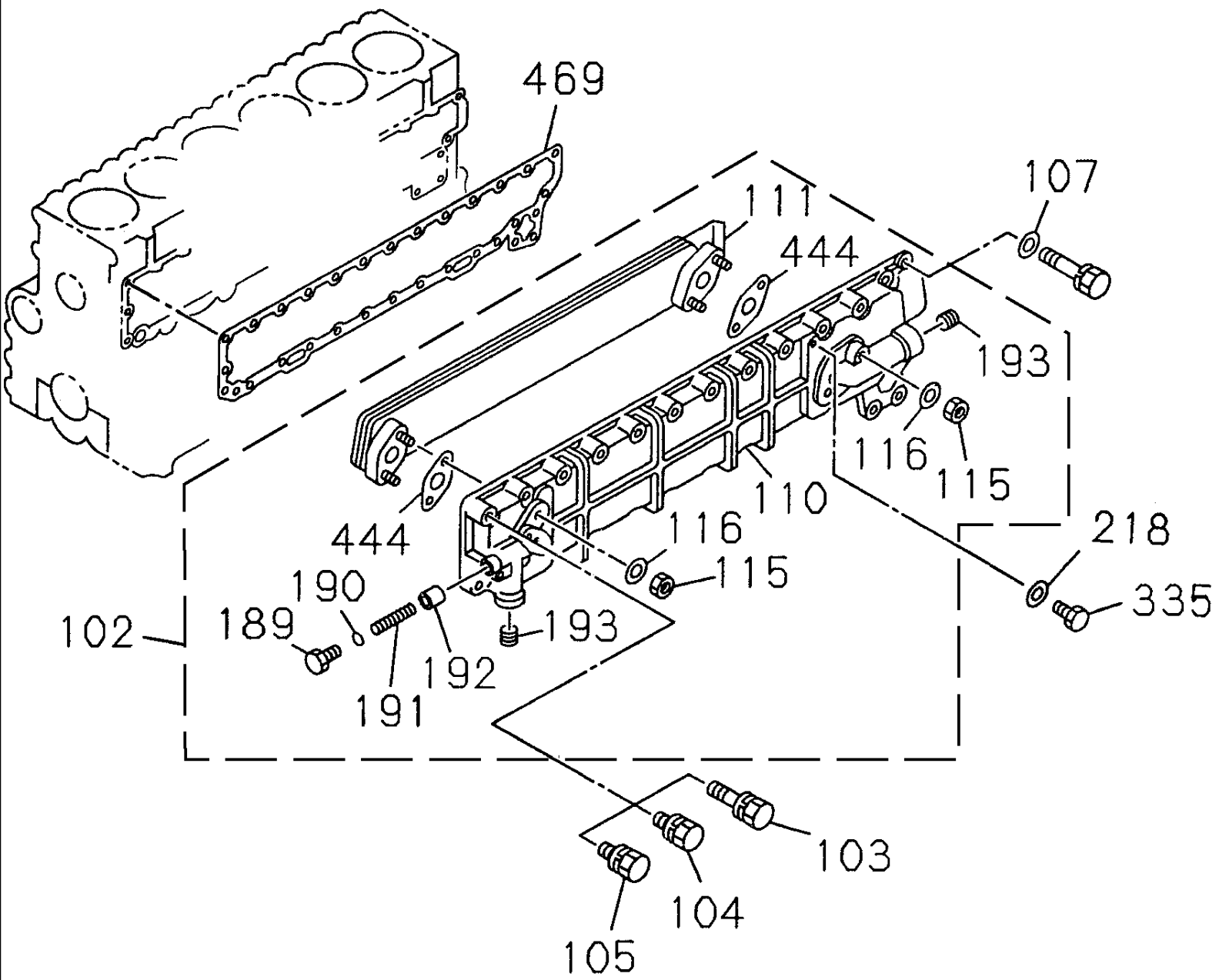
If the above button click is invalid.

Please download this document

first, and then click the above link

to download the complete manual.

Thank you so much for reading



<https://www.ebooklibonline.com>

Hello dear friend!

Thank you very much for reading.

Enter the link into your browser.

The full manual is available for immediate download.

<https://www.ebooklibonline.com>