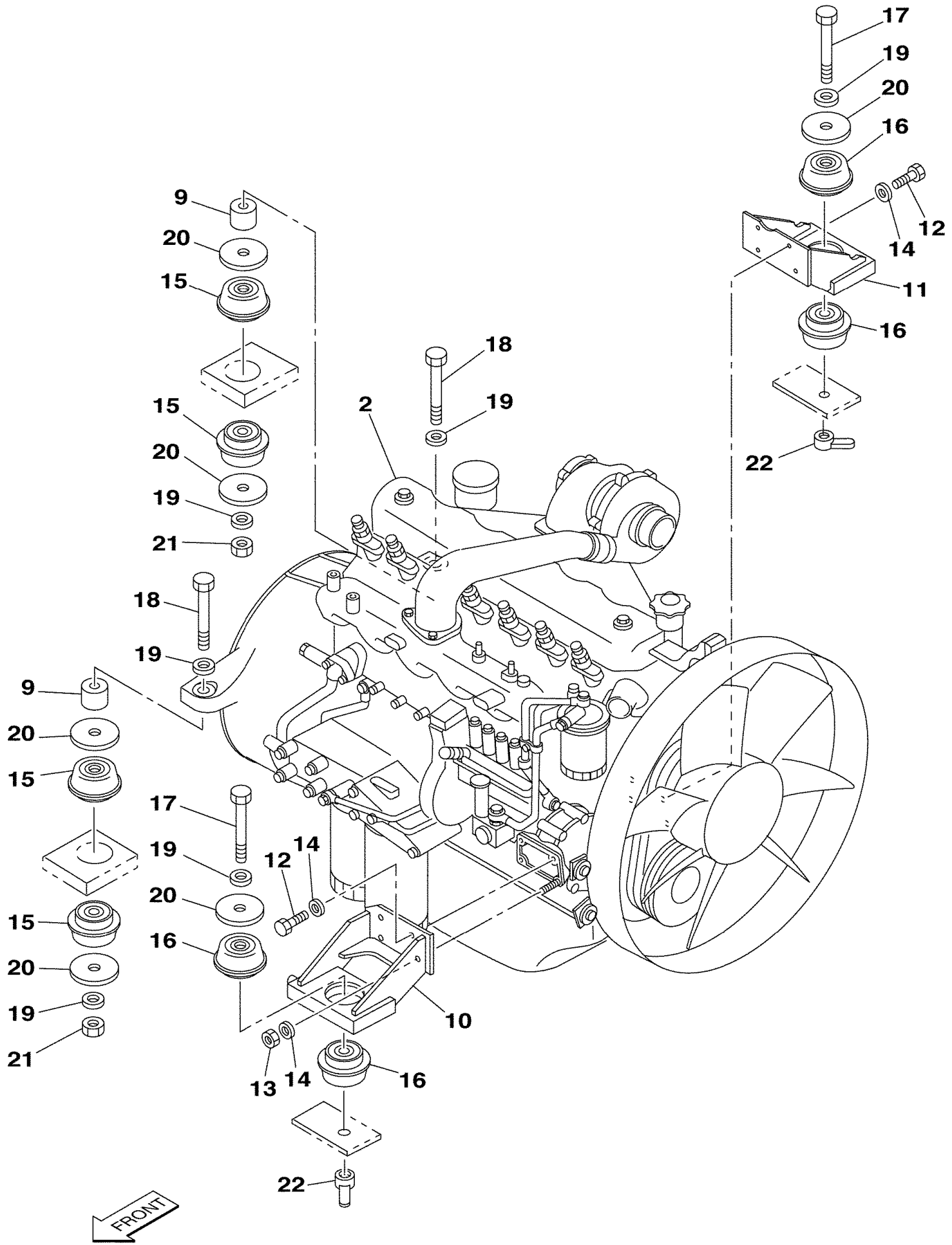




PARTS CATALOGUE

CX240
CASE CRAWLER EXCAVATOR



CX240 CASE CRAWLER EXCAVATOR (EUROPE)

02-003-00(01) ENGINE MOUNTING - ENGINE

Ref	Part Number	Qty	Description
2	KBH0878	1	MOTOR, , See Page(s) 02-015-00-01 To 02-045-00-01, 03-009-00-01 To 03-025-00-01, 04-027-00-01To 04-043-00-01
9	167984A1	2	SPACER,
10	KRH1341	1	SUPPORT,
11	KHH0485	1	SUPPORT,
12	159657A1	7	BOLT, , M10 x 20; 10.9
13	153604A1	1	NUT,
14	150409A1	8	WASHER, , 10,5 x 21 x 3,2 mm
15	KRH1225	4	RUBBER BLOCK,
16	KRH1226	4	RUBBER BLOCK,
17	827-16140	2	BOLT, Hex, M16 x 140, 10.9, , M16 x 140; 10.9
18	828-16210	2	BOLT, Hex, M16 x 210, 10.9, , M16 x 210; 10.9
19	150814A1	6	WASHER,
20	KRH1256	6	PLATE,
21	829-1416	2	NUT, M16, CI 10, , M16; 10
22	KRH1251	2	NUT, , M16

CX240 LC/LR/NLC DCH24B0101 To DCH24B0400

<https://www.ebooklibonline.com>

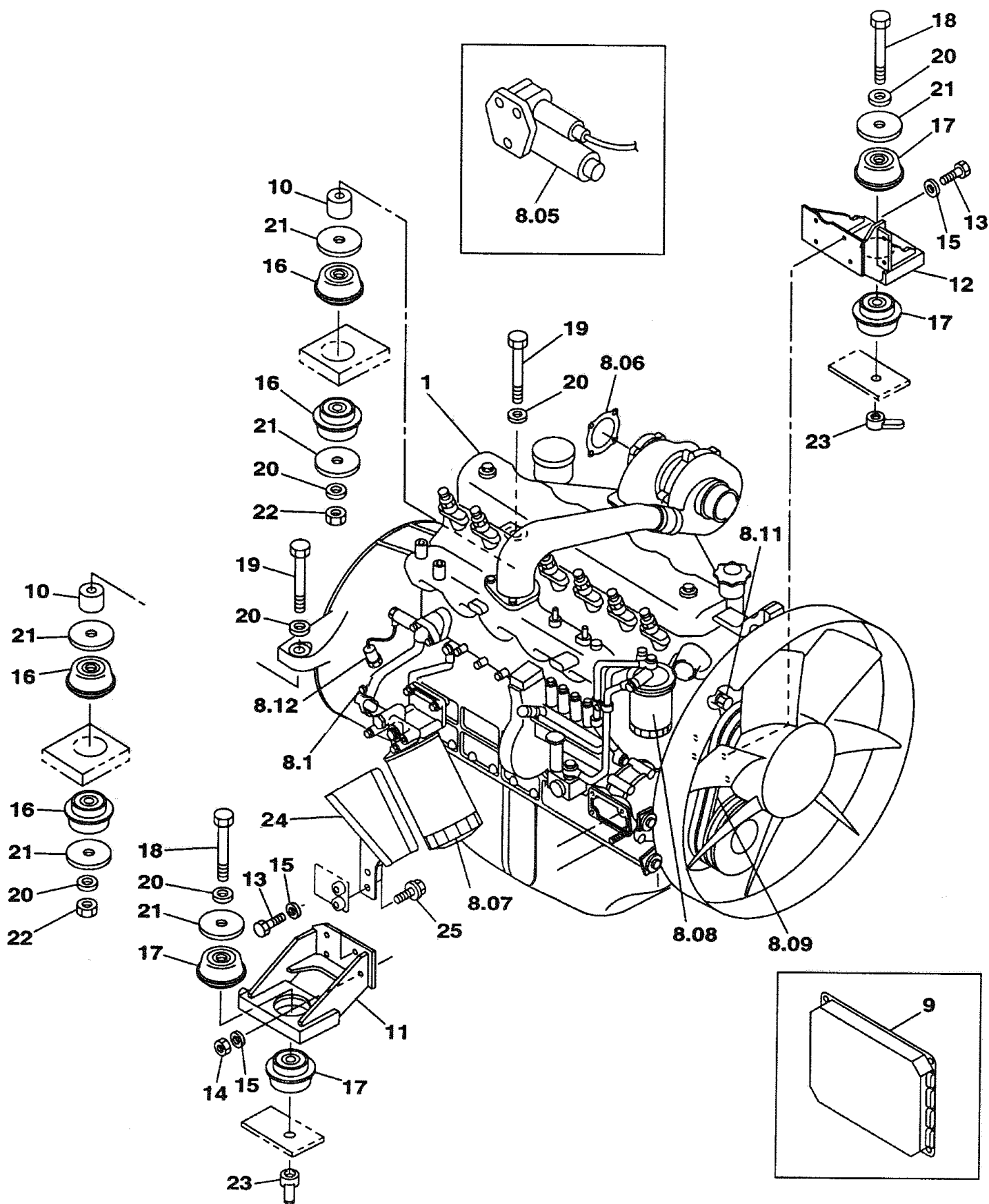
Hello dear friend!

Thank you very much for reading.

Enter the link into your browser.

The full manual is available for immediate download.

<https://www.ebooklibonline.com>

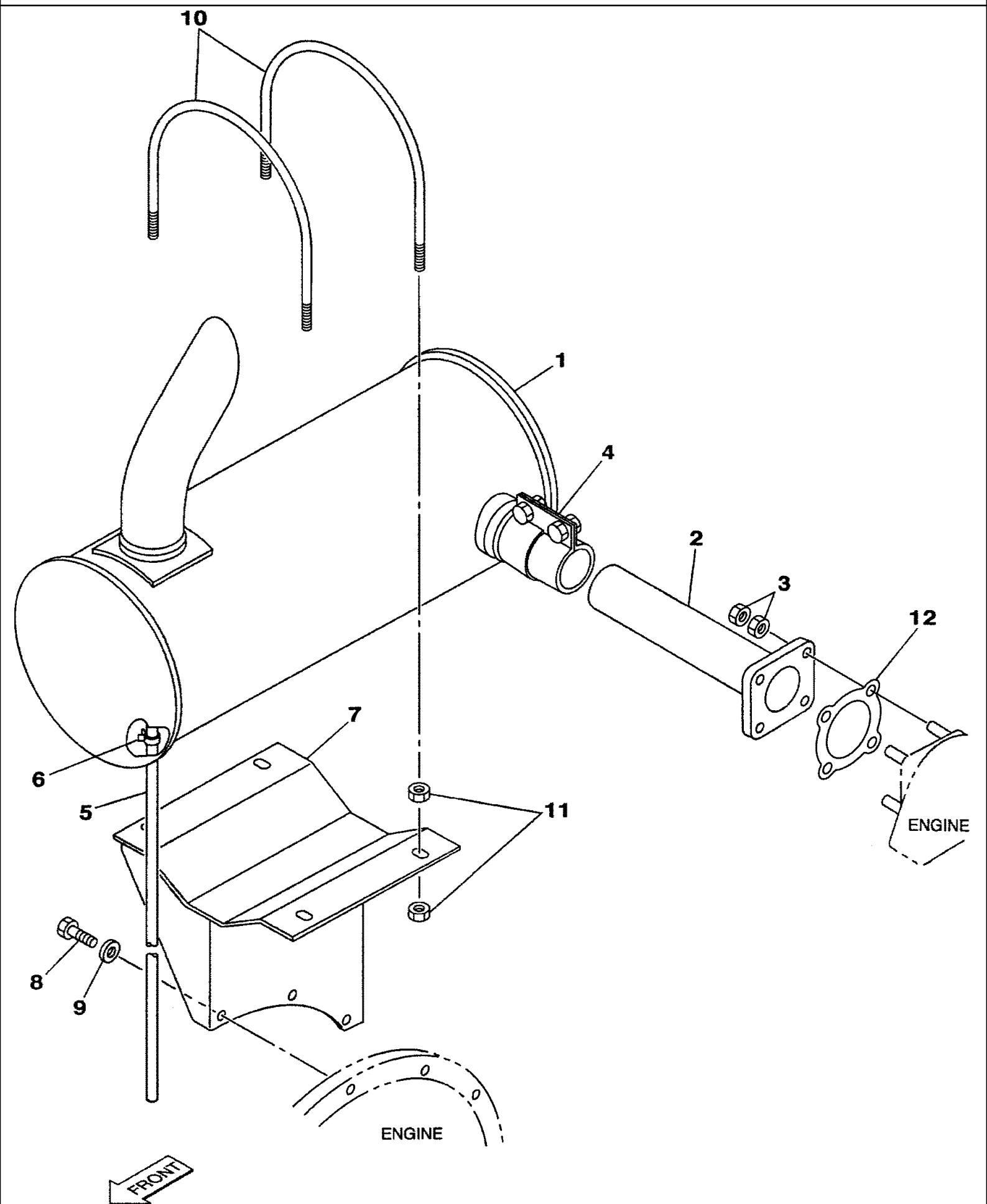


CX240 CASE CRAWLER EXCAVATOR (EUROPE)

02-003-00(02) ENGINE MOUNTING - ENGINE

Ref	Part Number	Qty	Description
1	KBH1009	1	ENGINE, , Consists Of Ref. Numbers 8.14 To 9, Also Pages 02-015-00-01 To 02-045-00-01, 03-009-00-01 To 03-027-00-01, 04-027-00-01 To 04-043-01-01
8.05	REF	1	INSTRUCTION, Motor, See Page(s) 04-029-00-01 Ref. 1
8.06	REF	1	INSTRUCTION, Gasket, See Page(s) 02-005-00-01 Ref. 12
8.07	REF	1	INSTRUCTION, Oil Filter, See Page(s) 02-029-01-01 Ref.2
8.08	REF	1	INSTRUCTION, Fuel Filter, See Page(s) 03-011-00-01 Ref. 1
8.09	REF	1	INSTRUCTION, Belt, See Page(s) 02-015-00-01 Ref. 7
8.1	REF	1	INSTRUCTION, Sensor, Temperature, See Page(s) 04-027-00-01 Ref. 7
8.11	REF	1	INSTRUCTION, Sensor, Water Temperature, See Page(s) 04-027-00-01 Ref. 16
8.12	REF	1	INSTRUCTION, Switch, Oil Pressure, See Page(s) 04-027-00-01 Ref. 6
9	REF	1	INSTRUCTION, Controler, See Page(s) 04-027-00-01 Ref. 14
10	167984A1	2	SPACER,
11	KRH1341	1	SUPPORT,
12	KHH0485	1	SUPPORT,
13	159657A1	7	BOLT, M10 x 1.25 x 25
14	153604A1	1	NUT, M10 x 1.25
15	150409A1	8	WASHER, W M 10
16	KRH1225	4	RUBBER BLOCK,
17	KRH1226	4	RUBBER BLOCK,
18	827-16140	2	BOLT, Hex, M16 x 140, 10.9, M16 x 140
19	828-16210	2	BOLT, Hex, M16 x 210, 10.9, M16 x 210
20	150814A1	6	WASHER,
21	KRH1256	6	PLATE,
22	829-1416	2	NUT, M16, CI 10, N M16
23	KRH1251	2	NUT, M16
24	KHH0548	1	SUPPORT,
25	166052A1	2	BOLT, M10 x 25

CX240 LC/LR/NLC DCH24B0401 And After

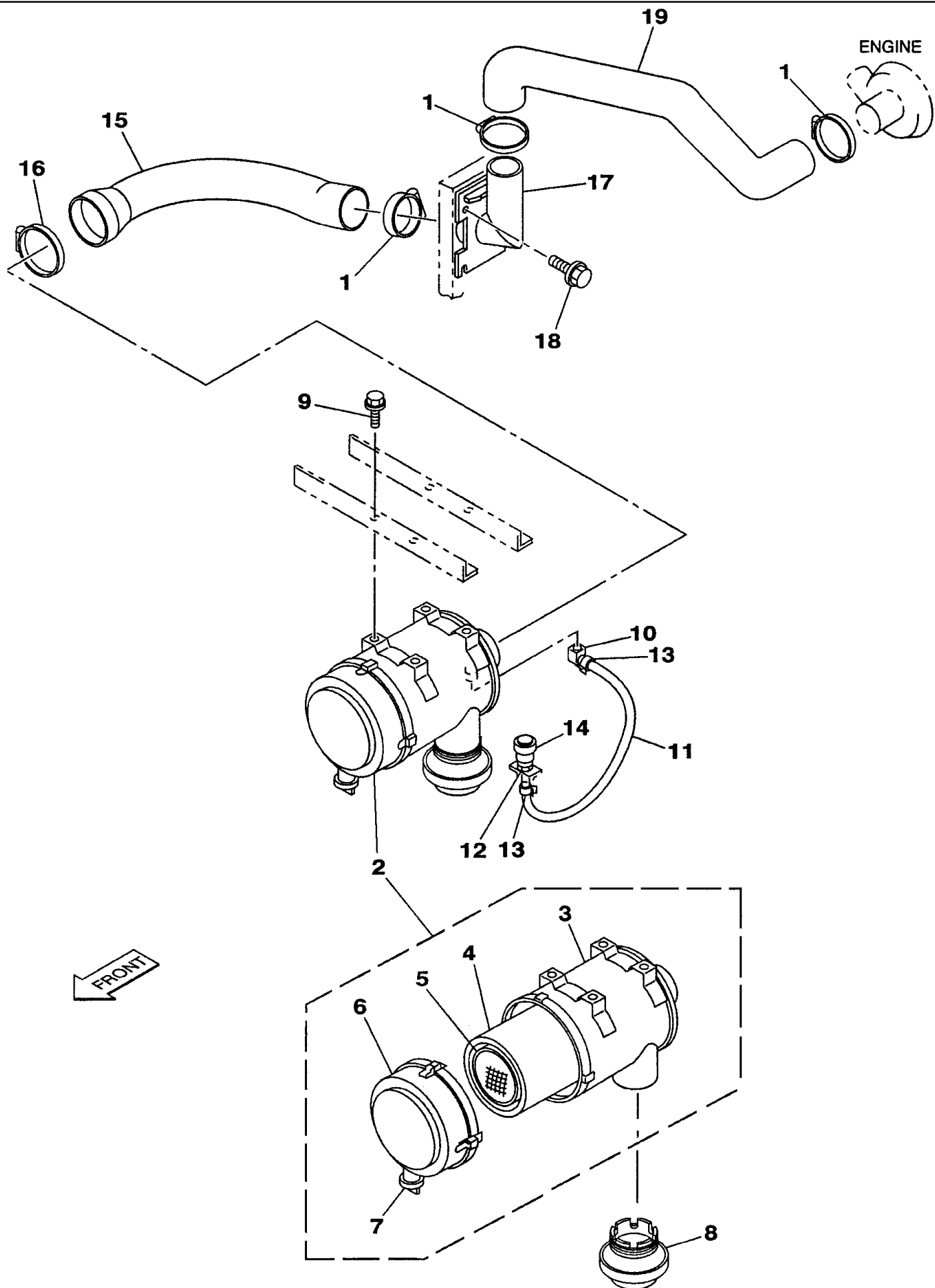


CX240 CASE CRAWLER EXCAVATOR (EUROPE)

02-005-00(01) EXHAUST

Ref	Part Number	Qty	Description
1	KBH0848	1	MUFFLER,
2	KBH0849	1	PIPE,
3	829-1408	8	NUT, M8, CI 10, , M8; 10
4	KRH1321	1	CLAMP,
5	157480A1	1	TUBE,
6	151367A1	1	CLAMP,
7	KBH0855	1	SUPPORT,
8	627-10035	3	BOLT, Hex, M10 x 35, 10.9, Full Thd, , M10 x 35; 10.9
9	150409A1	3	WASHER, , 10,5 x 21 x 3,2 mm
10	KBH0850	2	U-BOLT,
11	150472A1	8	NUT,
12	289213A1	1	GASKET,

CX240 LC DCH24B0101 To DCH24B0316 / CX240 LR DCH24B0101 And After / CX240 NLC DCH24N0101 And After

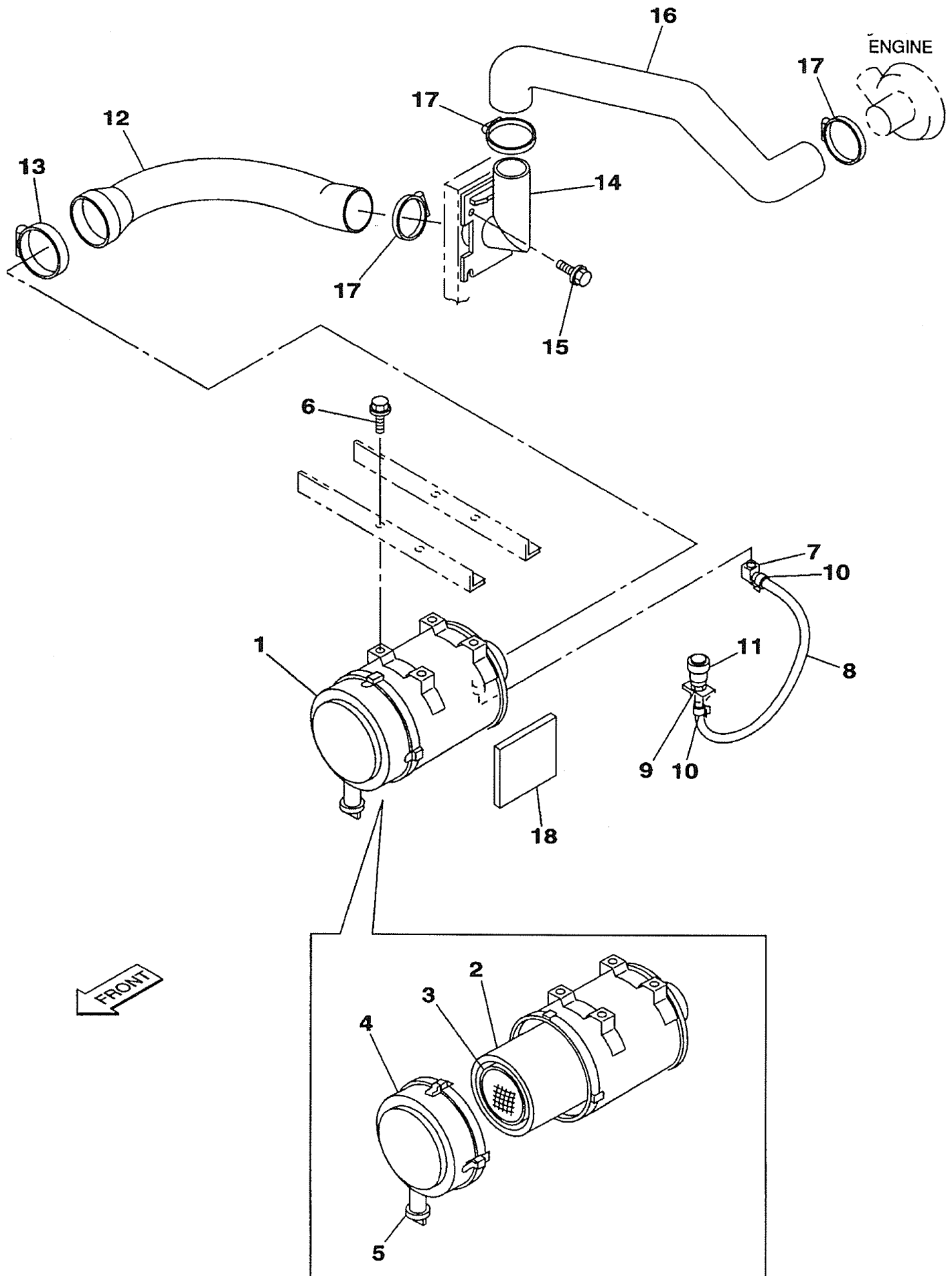


CX240 CASE CRAWLER EXCAVATOR (EUROPE)

02-007-00(01) AIR FILTRATION

Ref	Part Number	Qty	Description
1	150902A1	3	CLAMP,
2	KRH1319	1	AIR CLEANER, , Consists Of Ref. Numbers 3 To 7
3	KRH1248	1	BODY,
4	KRH0652	1	FILTER, AIR,
5	KRH1320	1	FILTER, AIR,
6	KRH1249	1	COVER,
7	KRH1250	1	VALVE,
8	165437A1	1	CAP,
9	166052A1	4	BOLT,
10	KRH1237	1	ELBOW,
11	157779A1	1	HOSE,
12	KRH1236	1	SEAL,
13	165951A1	2	CLAMP,
14	KSH0050	1	INDICATOR,
15	KRH1294	1	HOSE, LARGE,
16	150545A1	1	CLAMP,
17	KBH0826	1	BRACKET,
18	152718A1	4	BOLT,
19	KRH1293	1	HOSE, LARGE,

CX240 LC DCH24B0101 To DCH24B0316 / CX240 LR DCH24B0101 And After / CX240 NLC DCH24B0101 And After

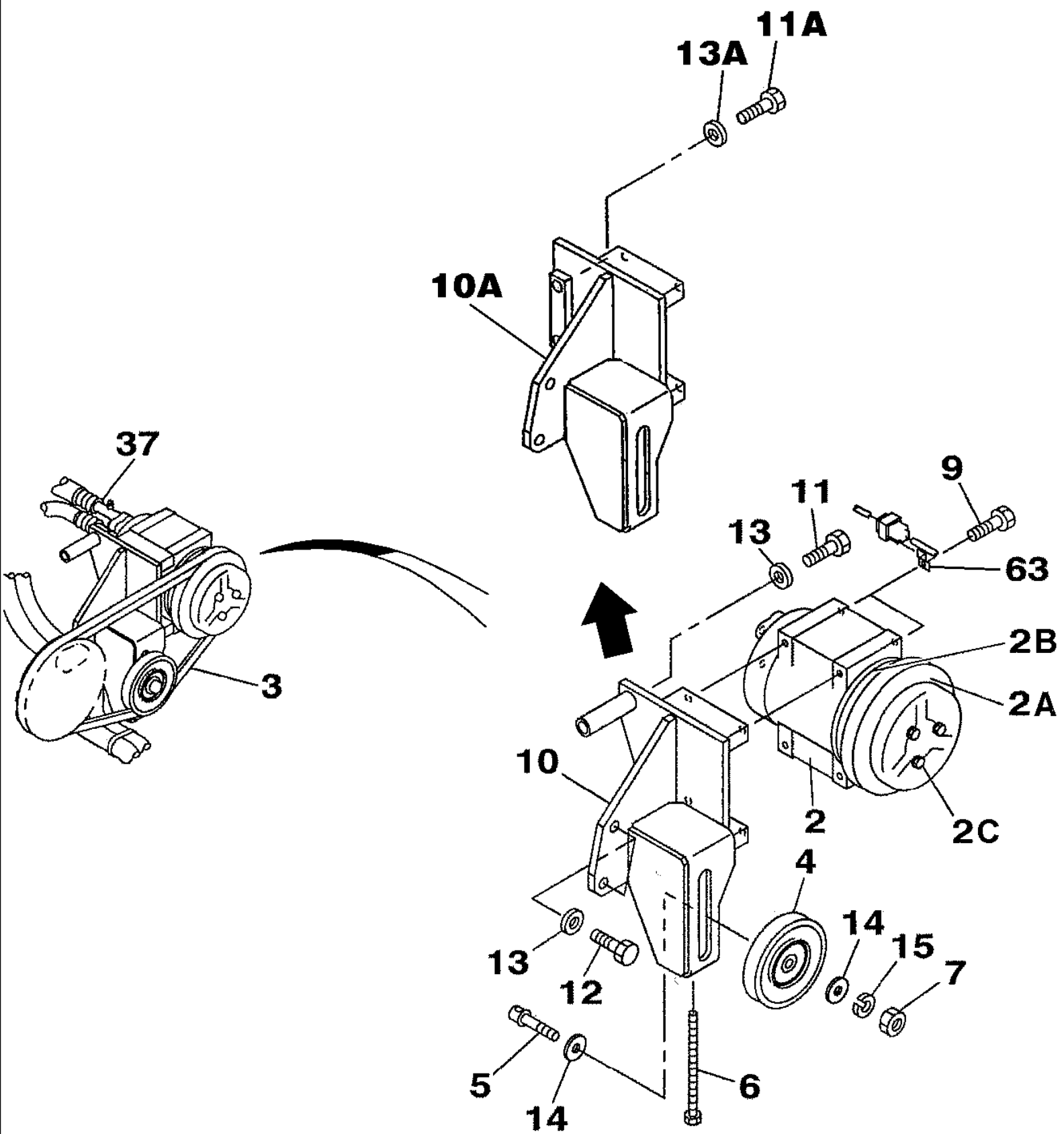


CX240 CASE CRAWLER EXCAVATOR (EUROPE)

02-007-00(02) AIR FILTRATION

Ref	Part Number	Qty	Description
1	KRH1569	1	FILTER, AIR, , Consists Of Ref. Numbers 2 To 5
2	KBH0921	1	FILTER, AIR,
3	KBH0922	1	FILTER, AIR,
4	KBH0923	1	COVER ASSY,
5	KBH0924	1	VALVE,
6	166052A1	4	BOLT,
7	KRH1237	1	ELBOW,
8	157778A1	1	HOSE,
9	KRH1236	1	SEAL,
10	165951A1	2	CLAMP,
11	KSH0050	1	INDICATOR,
12	KBH0902	1	HOSE, LARGE,
13	150545A1	1	CLAMP,
14	KRH1471	1	BRACKET,
15	152718A1	4	BOLT,
16	KRH1472	1	HOSE, LARGE,
17	150902A1	3	CLAMP,
18	KRH1570	1	SEAL,

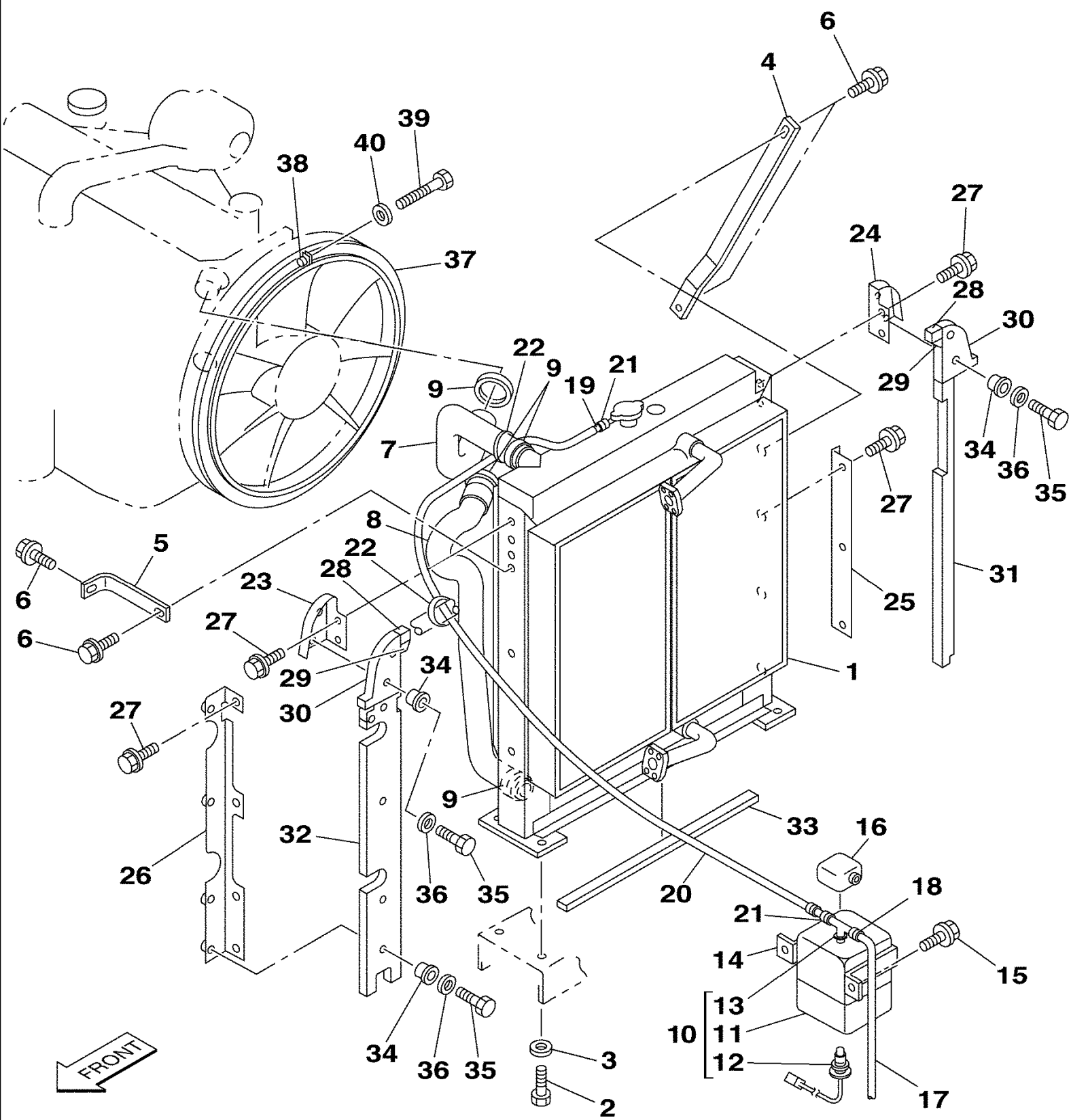
CX240 LC DCH24B0317 And After



CX240 CASE CRAWLER EXCAVATOR (EUROPE)

02-009-00(01) CAB AIR CONDITIONING - COMPRESSOR MOUNTING

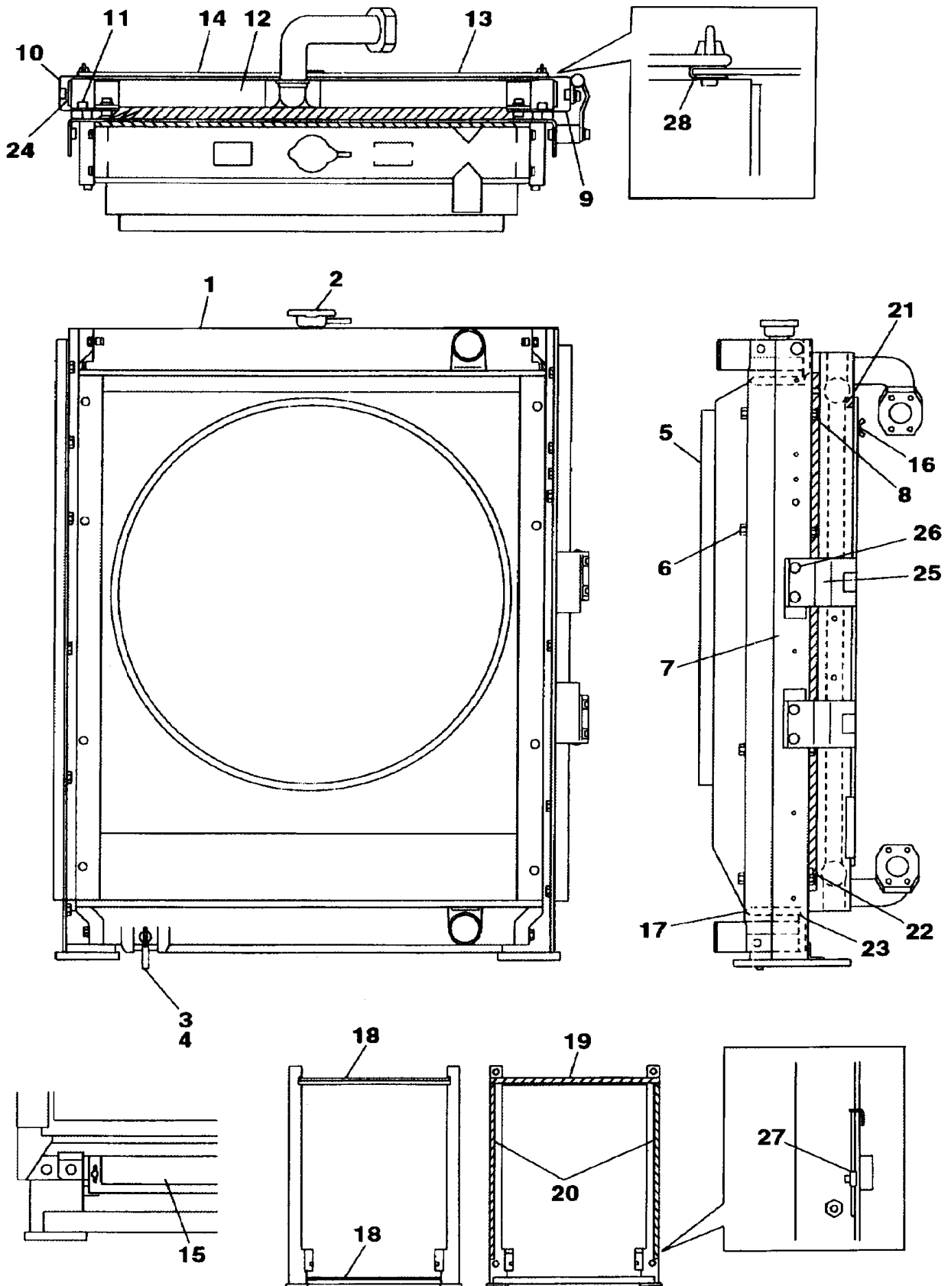
Ref	Part Number	Qty	Description
2	KHR3197	1	COMPRESSOR, , Consists Of Ref. Numbers 2A, 2B, 2C
2A	KHR3198	1	CLUTCH,
2B	KHR3974	1	COVER, PROTECTIVE,
2C	KHR3975	3	BOLT,
3	159639A1	1	V-BELT,
4	157296A1	1	PULLEY,
5	157299A1	1	SHAFT,
6	159644A1	1	BOLT,
7	157292A1	1	NUT, , M10
9	KAR0921	4	SCREW,
10	KRR1345	1	BRACKET, , Order KHR3818(1), 827-10040(2)
10A	KHR3818	1	SUPPORT,
11	159618A1	1	BOLT,
11A	827-10040	2	BOLT, Hex, M10 x 40, 10.9, Full Thd, , M10 x 40; 10.9
12	167472A1	2	BOLT,
13	150409A1	3	WASHER, , 10,5 x 21 x 3,2 mm
13A	150409A1	2	WASHER, , 10,5 x 21 x 3,2 mm
14	151977A1	2	WASHER,
15	892-11010	1	WASHER, LOCK, M10, , W10
37	REF	1	INSTRUCTION, , Hose, See Page(s) 09-049-00
63	158962A1	1	CLIP,



CX240 CASE CRAWLER EXCAVATOR (EUROPE)

02-011-00(01) WATER CIRCUIT

Ref	Part Number	Qty	Description
1	KBH0857	1	RADIATOR, , See Page(s) 02-013-00 01, DCH24B0101 To DCH24B0352
1	KBH1002	1	RADIATOR, , See Page(s) 02-013-01 01, DCH24B0352 And After
2	627-16030	4	BOLT, Hex, M16 x 30, 10.9, Full Thd, Hex, M16 x 30, 10.9, Full Thd
3	150814A1	4	WASHER,
4	KRH1365	1	STAY,
5	KRH1387	1	STAY,
6	152718A1	4	BOLT,
7	KBH0851	1	HOSE, LARGE,
8	KBH0852	1	HOSE, LARGE,
9	165793A1	4	CLAMP,
10	160626A1	1	RESERVOIR, , Consists Of Ref. Numbers 11, 12, 13
11	150026A1	1	TANK,
12	161740A1	1	SWITCH,
13	166131A1	1	CAP,
14	KRH1435	1	HOLDER,
15	166052A1	2	BOLT,
16	157140A1	1	COVER,
17	KHH0388	1	HOSE,
18	165952A1	1	MOUNTING CLIP,
19	KHH0389	1	HOSE, LARGE,
20	KBR0665	1	TUBE, PLASTIC-RUBBER,
21	165951A1	2	CLAMP,
22	150498A1	2	COLLAR,
23	KBH0835	1	BRACKET,
24	KBH0836	1	BRACKET,
25	KRH1283	1	BRACKET,
26	KBH0816	1	BRACKET,
27	166345A1	11	BOLT,
28	KRH1275	2	GASKET,
29	KRH1276	2	SEAL,
30	KBH0837	2	GASKET,
31	KRH1278	1	GASKET,
32	KBH0813	1	GASKET,
33	KRH1337	1	GASKET,
34	KHH0358	8	RETAINER,
35	827-8040	8	BOLT, Hex, M8 x 40, 10.9, , M8 x 40; 10.9
36	895-11008	8	WASHER, M8 x 16 x 1.6, , 9 x 17 x 1,6 mm
37	KRH1375	1	GASKET,
38	KRH1376	1	MOUNTING CLIP,
39	KRH1377	1	SCREW,
40	895-11005	1	WASHER, M5 x 10 x 1, , 5,5 x 10 x 1 mm

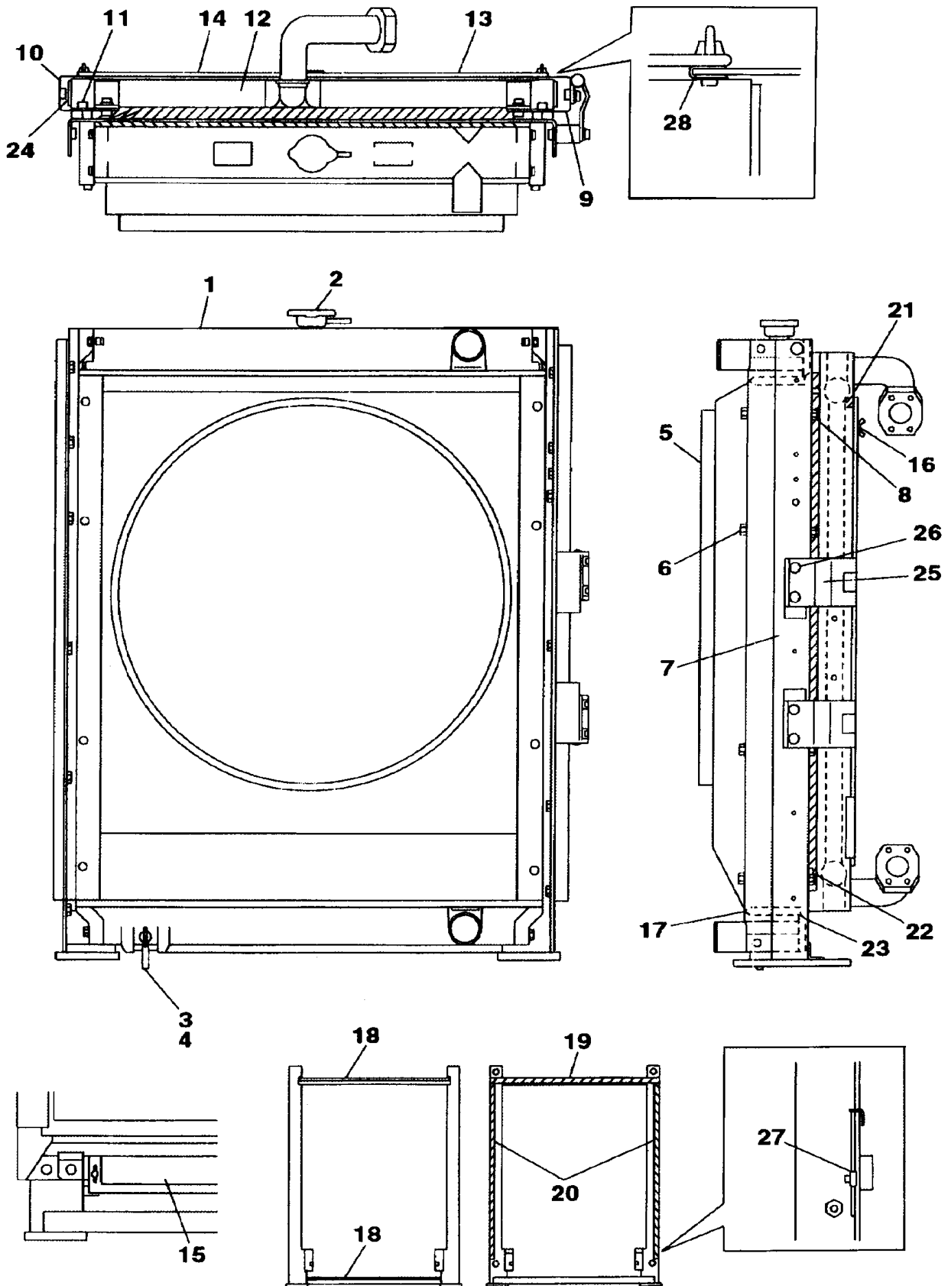


CX240 CASE CRAWLER EXCAVATOR (EUROPE)

02-013-00(01) RADIATOR - OIL COOLER

Ref	Part Number	Qty	Description
	KBH0857	1	RADIATOR, , Consists Of Ref. Numbers 1-28
1	LN00046	1	RADIATOR,
2	156601A1	1	PLUG,
3	LNG0336	1	COCK, DRAIN,
4	LLG0023	1	HOSE,
5	LW00299	1	SHROUD,
6	LA00677	8	BOLT,
7	LT00094	1	FRAME,
8	LA00677	8	BOLT,
9	LS00111	1	BRACKET,
10	LS00110	1	BRACKET,
11	158870A1	8	BOLT,
12	LN00048	1	COOLER, OIL,
13	LG00305	1	GRILLE, RADIATOR,
14	LG00306	1	GRILLE, RADIATOR,
15	LG00307	1	PROTECTOR,
16	156606A1	6	BOLT,
17	160322A1	2	PACKING,
18	LAG0005	2	GASKET,
19	LE00711	1	GASKET,
20	LE00712	2	GASKET,
21	LAG0004	2	GASKET,
22	LE00713	1	GASKET,
23	LE00714	1	GASKET,
24	LE00715	2	GASKET,
25	LM00059	2	HINGE,
26	158870A1	8	BOLT,
27	LA00678	2	NUT, LOCK,
28	LA00678	2	NUT, LOCK,

CX240 DCH24B0101 To DCH24B0351

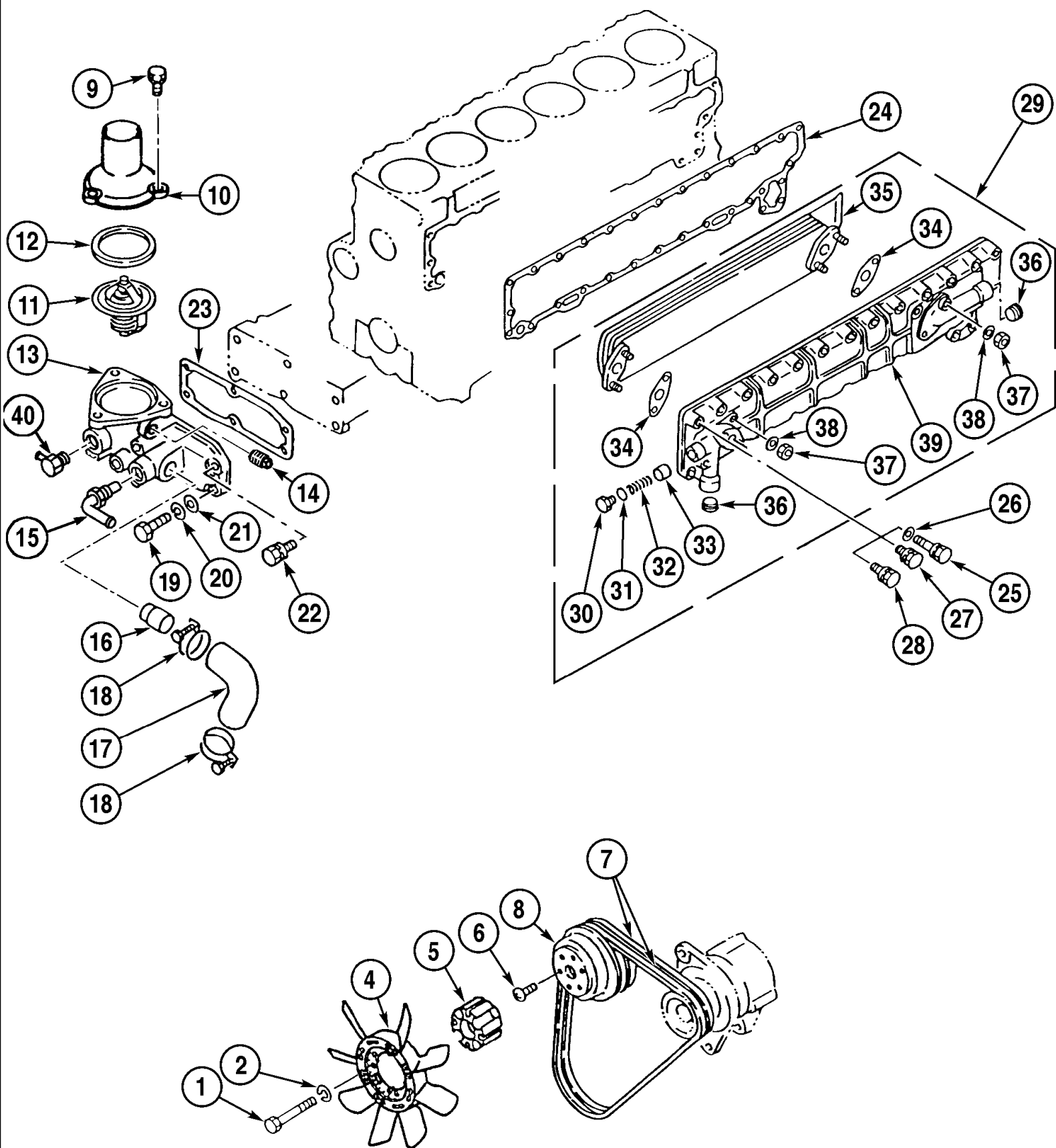


CX240 CASE CRAWLER EXCAVATOR (EUROPE)

02-013-01(01) RADIATOR - OIL COOLER

Ref	Part Number	Qty	Description
	KBH1002	1	, Consists Of Ref. Numbers 1-28
1	LN00046	1	
2	LR01142	1	
3	LNG0336	1	
4	LLG0023	1	
5	LW00299	1	
6	LA00677	8	
7	LT00094	1	
8	LA00677	8	
9	LS002720	1	
10	LS002710	1	
11	158870A1	8	
12	LN00048	1	
13	LG00946	1	
14	LG00945	1	
15	LG00307	1	
16	156606A1	6	
17	160322A1	2	
18	LAG0005	2	
19	LE00711	1	
20	LE00712	2	
21	LE012510	2	
22	LE00713	1	
23	LE00714	1	
24	LE00715	2	
25	LM00059	2	
26	158870A1	8	
27	LA00678	2	
28	LA00678	2	

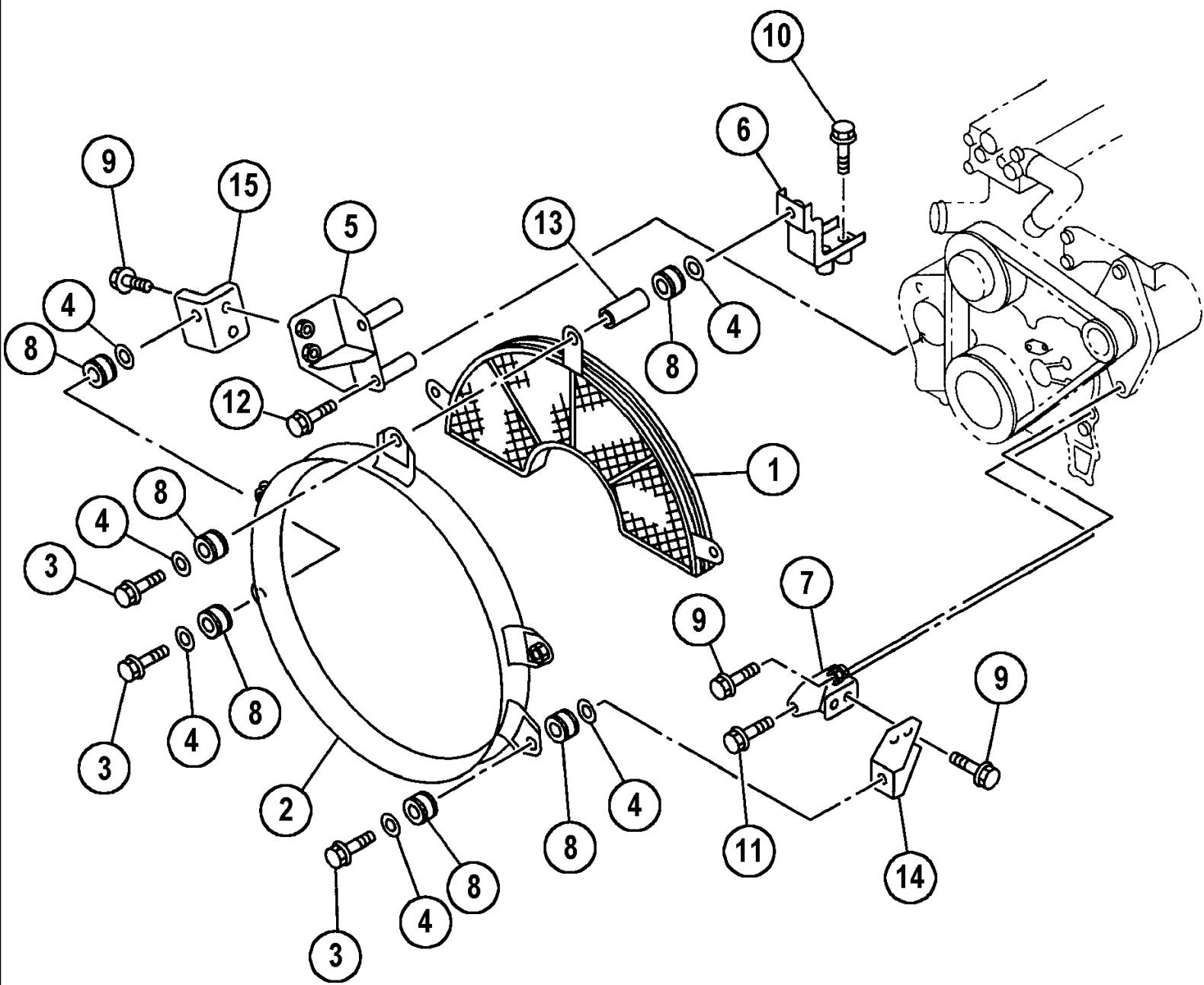
CX240 DCH24B0352 And After



CX240 CASE CRAWLER EXCAVATOR (EUROPE)

02-015-00(01) WATER PUMP SYSTEM - THERMOSTAT - OIL COOLER

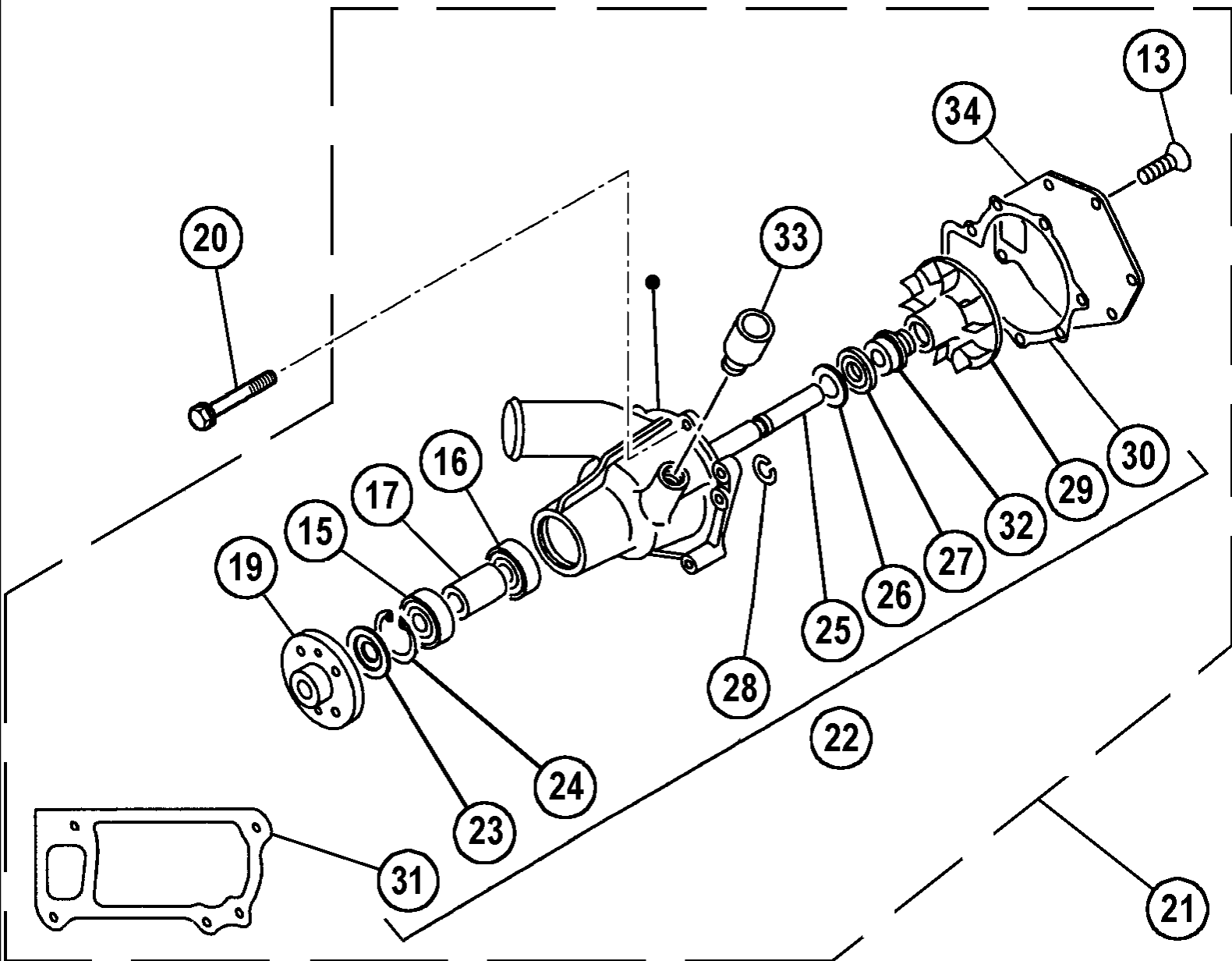
Ref	Part Number	Qty	Description
1	288991A1	4	BOLT,
2	289782A1	4	WASHER, , W8
4	288757A1	1	FAN,
5	288755A1	1	SPACER,
6	289760A1	2	SCREW,
7	KRH1383	1	BELTS, SET OF 2, , CX240 LC DCH24B0341 And After / CX240 LR DCH24B0341 And After / CX240 NLC DCH24B0343 And After
8	288753A1	1	PULLEY,
9	288695A1	1	SCREW, , M8 x 22
9	419941A1	2	BOLT, , M8 x 35
10	419714A1	1	TUBE,
11	289205A1	1	THERMOSTAT,
12	289204A1	1	PACKING,
13	289491A1	1	HOUSING,
14	289415A1	1	PLUG,
15	288816A1	1	TUBE,
16	419717A1	1	TUBE,
17	288834A1	1	HOSE, LARGE,
18	289426A1	2	CLIP,
19	288973A1	3	BOLT,
20	289783A1	3	WASHER,
21	289788A1	3	WASHER,
22	289001A1	4	BOLT, , M10 x 32; 10.9
23	433822A1	1	GASKET,
24	289130A1	1	PACKING, , Engine Serial Number : Until BC / AA
24	447023A1	1	GASKET, , Engine Serial Number : AB / AB And After
25	289019A1	12	BOLT,
25	87458184	1	BOLT,
26	289787A1	1	WASHER, , M8
27	289035A1	15	BOLT, , M8 x 28
28	289051A1	2	BOLT, , M8 x 20
29	289328A1	1	COOLER, , Consists Of Ref. Numbers 30-39
30	289878A1	1	PLUG,
31	289849A1	1	GASKET,
32	289412A1	1	SPRING,
33	289441A1	1	VALVE,
34	447024A1	2	GASKET,
35	289129A1	1	COOLER,
36	289416A1	2	PLUG,
37	289779A1	4	NUT,
38	289795A1	4	WASHER, , M10
39	289127A1	1	BODY,
40	288815A1	1	TUBE,



CX240 CASE CRAWLER EXCAVATOR (EUROPE)

02-015D-00(01) DRIVE BELT GUARD - VENTILATOR

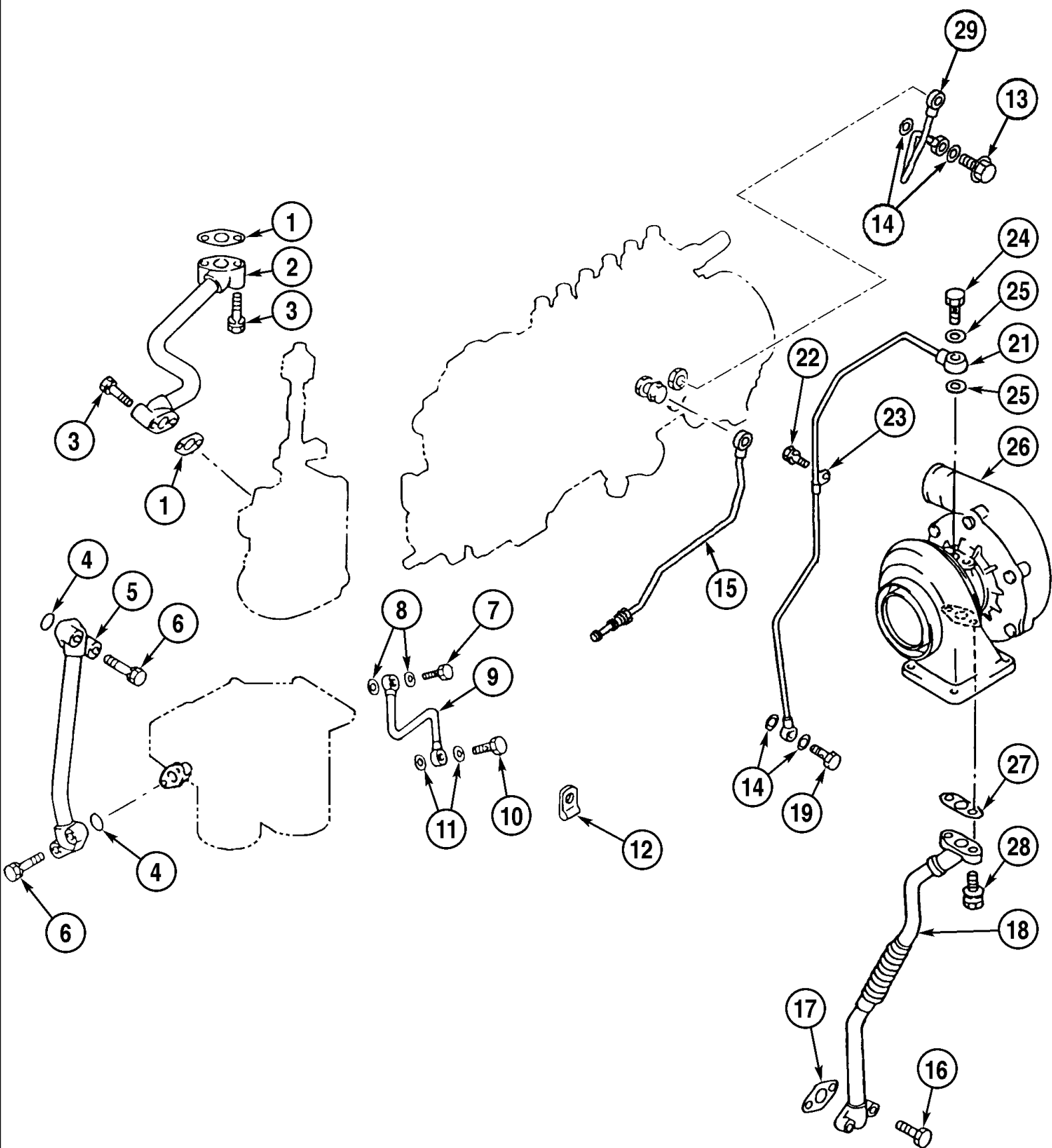
Ref	Part Number	Qty	Description
1	419718A1	1	GUIDE,
2	419719A1	1	GUIDE,
3	288700A1	3	SCREW, M10 x 45
4	419722A1	6	WASHER,
5	419723A1	1	BRACKET, , Replaced By 87329009
5	87329009	1	BRACKET,
6	419724A1	1	BRACKET,
7	419725A1	1	BRACKET, , Replaced By 87329010
7	87329010	1	BRACKET,
8	419726A1	6	WASHER, RUBBER,
9	289000A1	4	BOLT, M10 x 25; 10.9
10	419728A1	2	SCREW,
11	288986A1	1	BOLT,
12	288983A1	2	BOLT,
13	419731A1	3	TUBE,
14	419732A1	1	STAY,
15	419733A1	1	STAY,



CX240 CASE CRAWLER EXCAVATOR (EUROPE)

02-017-00(01) WATER PUMP

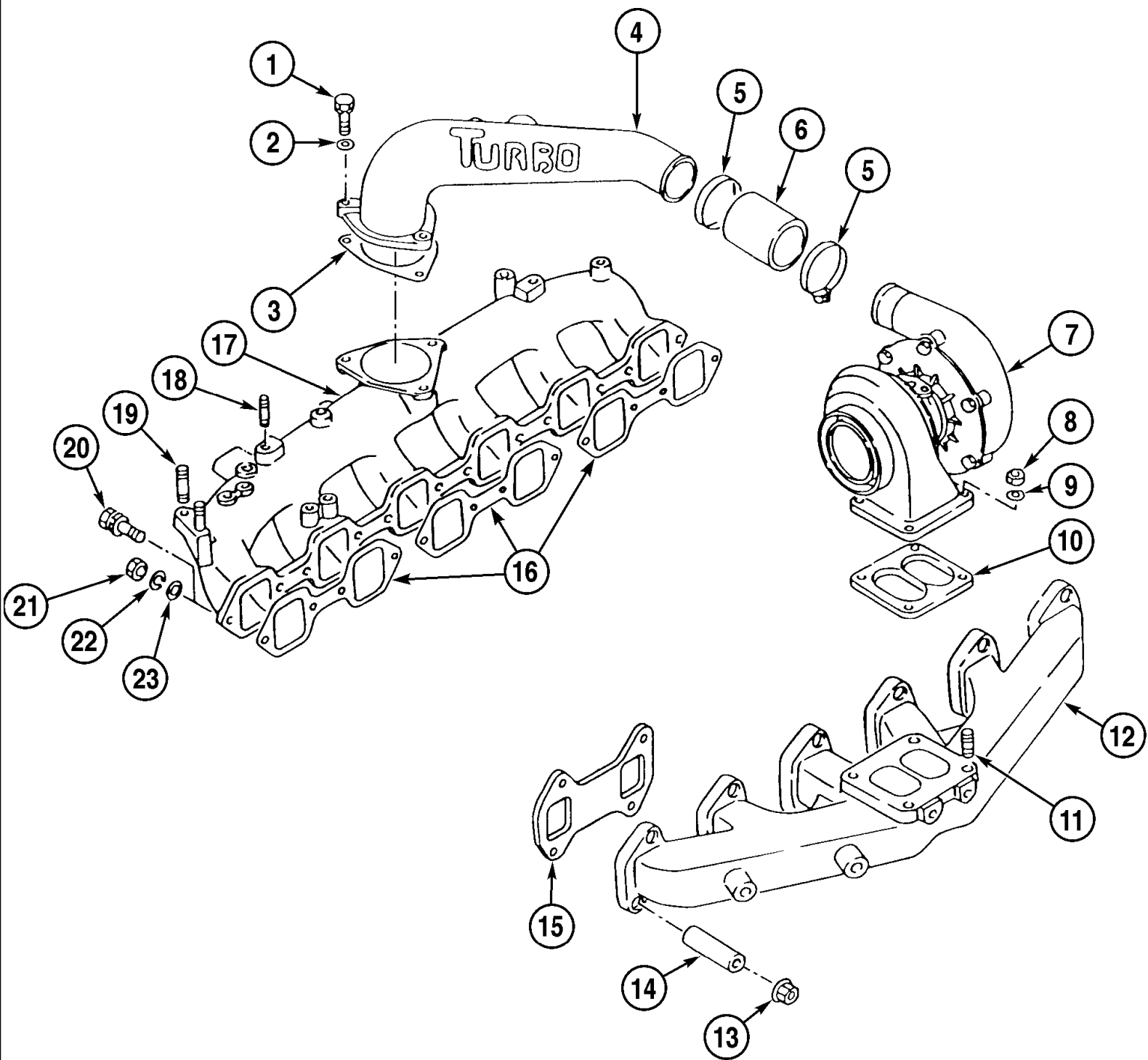
Ref	Part Number	Qty	Description
13	289759A1	3	SCREW,
15	289433A1	1	BEARING,
16	289432A1	1	BEARING,
17	289484A1	1	SPACER,
19	289488A1	1	FLANGE,
20	288990A1	1	BOLT, , M10 x 70
20	288989A1	2	BOLT, , M10 x 50
20	289001A1	1	BOLT, , M10 x 32; 10.9
21	288878A1	1	PUMP, WATER, , Consists Of Ref. Numbers 13, 15, 16, 17, 19, 22, 33, 34
22	288877A1	1	KIT, GASKET, , Consists Of Ref. Numbers 23-32
23	289485A1	1	DUST CAP,
24	289851A1	1	RING,
25	289194A1	1	SHAFT,
26	289071A1	1	WASHER,
27	87438342	1	GASKET,
28	289801A1	1	RING,
29	288845A1	1	IMPELLER,
30	288843A1	1	GASKET,
31	289654A1	1	GASKET,
32	288844A1	1	GASKET,
33	419713A1	1	CONNECTOR,
34	288842A1	1	HOOD,



CX240 CASE CRAWLER EXCAVATOR (EUROPE)

02-019-00(01) OIL CIRCUIT - ENGINE

Ref	Part Number	Qty	Description
1	289848A1	2	PACKING,
2	289185A1	1	PIPE,
3	288984A1	4	BOLT,
4	289085A1	2	PACKING,
5	288786A1	1	PIPE,
6	288998A1	4	BOLT, , M8 x 40
7	289103A1	1	BOLT,
8	289093A1	2	PACKING,
9	289186A1	1	PIPE,
10	289104A1	1	BOLT, BANJO,
11	426423A1	2	GASKET, , 14,2 mm ID x 19,2 mm OD
12	289847A1	1	CLIP,
13	289103A1	1	BOLT,
14	289093A1	4	PACKING,
15	289190A1	1	PIPE,
16	288986A1	2	BOLT,
17	289097A1	1	PACKING,
18	288750A1	1	PIPE ASSY.,
19	289103A1	1	BOLT,
21	288751A1	1	PIPE,
22	288983A1	1	BOLT,
23	289427A1	1	CLIP,
24	288829A1	1	JACK SCREW,
25	288854A1	2	GASKET,
26	288762A1	1	TURBOCHARGER, , See Page(s) 02-021-00, 02-021B-00
27	289096A1	1	PACKING,
28	355261A1	2	BOLT, , M8 x 25; 10.9
29	288640A1	1	PIPE,



CX240 CASE CRAWLER EXCAVATOR (EUROPE)

02-021-00(01) EXHAUST PIPE - INTAKE PIPE

Ref	Part Number	Qty	Description
1	288997A1	3	BOLT, , M8 x 35; 10.9
2	289794A1	3	WASHER,
3	289208A1	1	PACKING,
4	288761A1	1	END FITTING,
5	86988790	2	CLIP,
6	289064A1	1	HOSE,
7	288762A1	1	TURBOCHARGER, , See Page(s) 02-021B-00-01
8	289065A1	1	NUT,
8	289831A1	3	NUT,
9	289070A1	4	WASHER,
10	289212A1	1	GASKET,
11	289765A1	3	STUD, , M10 x 40
11	289062A1	1	STUD, , M10 x 100
12	289210A1	1	MANIFOLD, , Exhaust
13	289068A1	12	NUT,
14	289214A1	12	TUBE,
15	289667A1	3	GASKET,
16	419709A1	3	PACKING, , Replaced By 87448397
16	87448397	3	PACKING,
17	289206A1	1	MANIFOLD, , Intake
18	289407A1	2	STUD,
19	289764A1	2	STUD,
20	289035A1	6	BOLT, , M8 x 28
21	289775A1	6	NUT, , M8
22	289782A1	6	WASHER, , W8
23	289787A1	6	WASHER, , M8



Suggest:

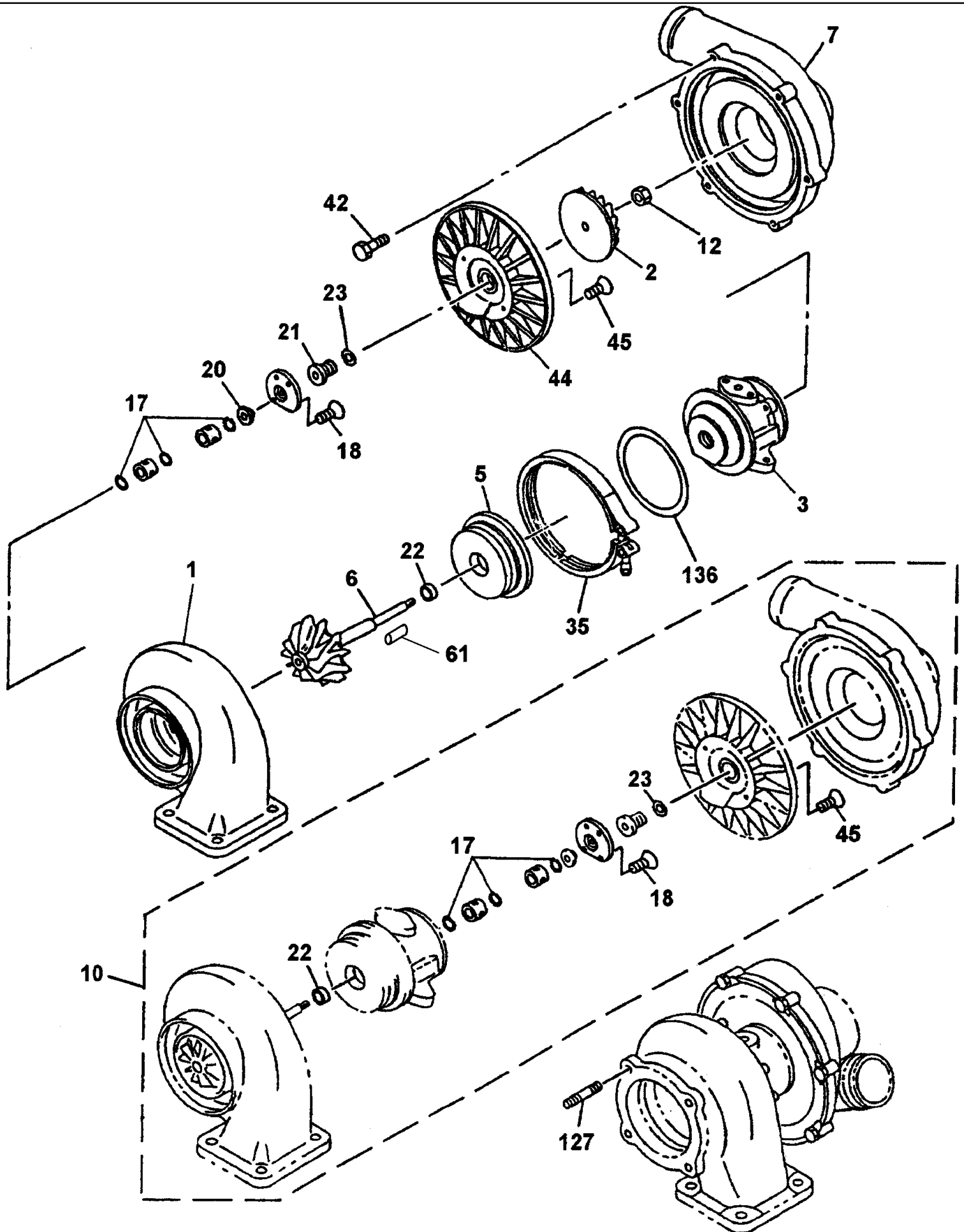
If the above button click is invalid.

Please download this document

first, and then click the above link

to download the complete manual.

Thank you so much for reading



<https://www.ebooklibonline.com>

Hello dear friend!

Thank you very much for reading.

Enter the link into your browser.

The full manual is available for immediate download.

<https://www.ebooklibonline.com>