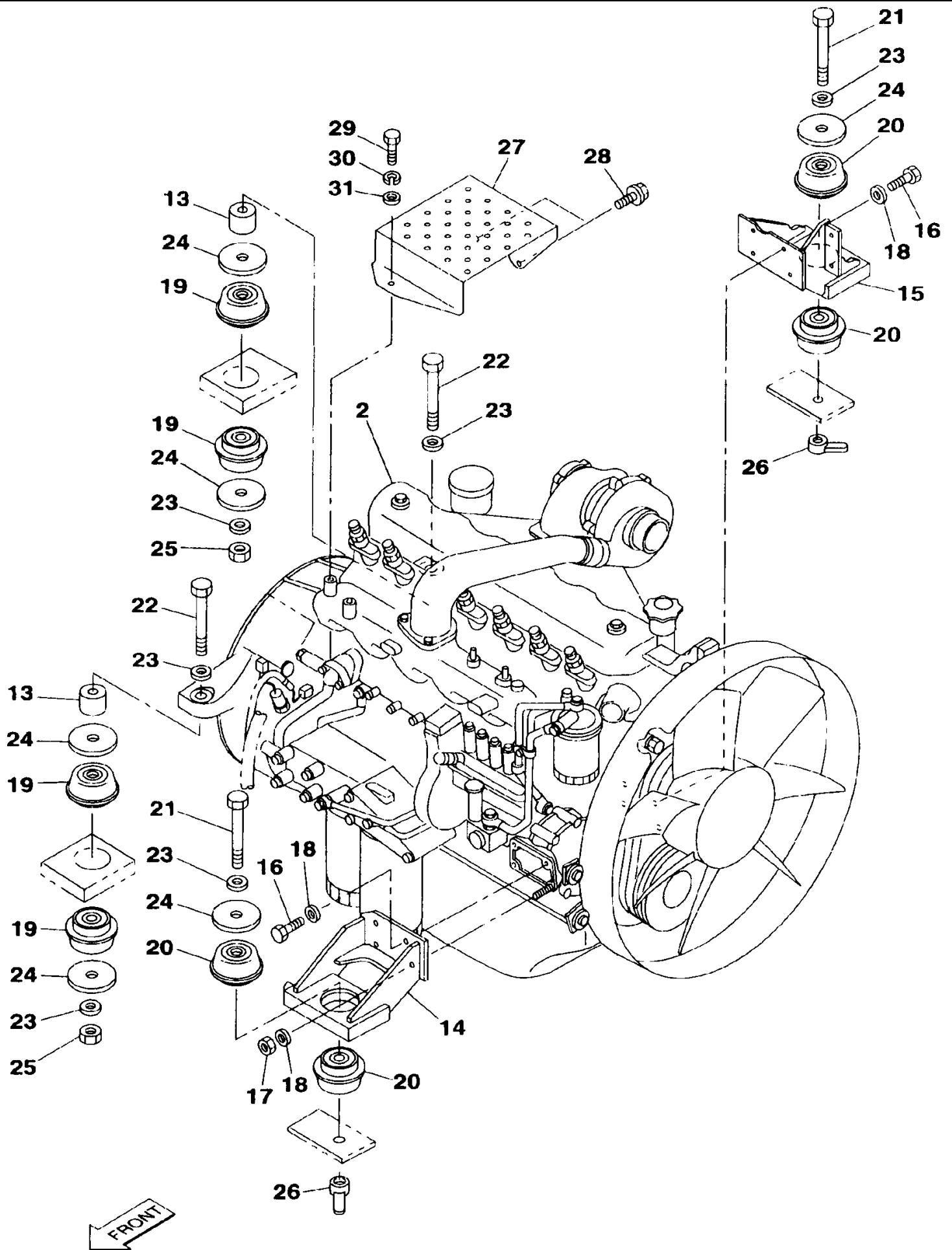




PARTS CATALOGUE

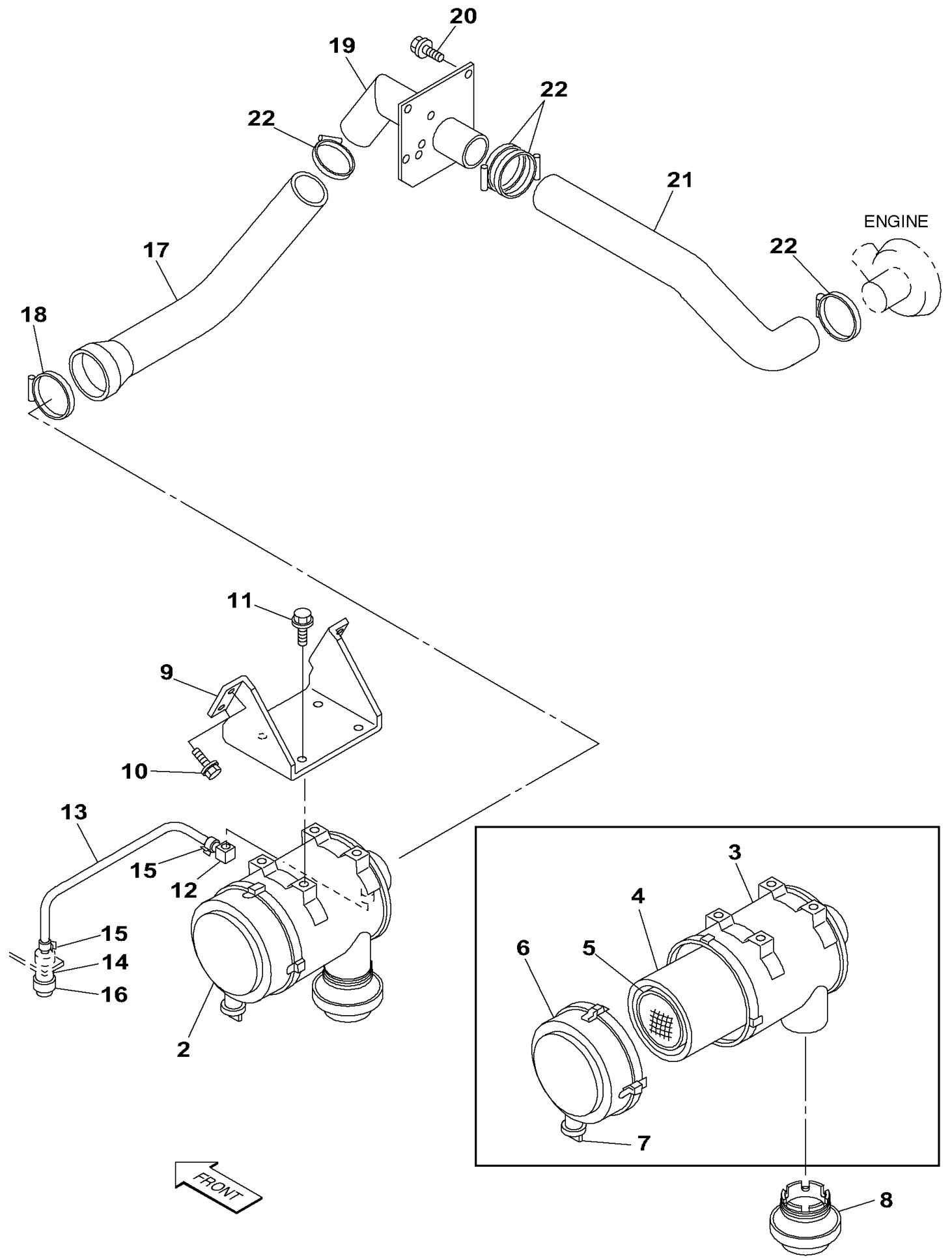
CRAWLER EXCAVATOR
CX225SR



CX225SR CASE CRAWLER EXCAVATOR (EU)

02-003-00(01) ENGINE MOUNTING - ENGINE

Ref	Part Number	Qty	Description
2	KRH1493	1	ENGINE ASSY, , Until DCH22U0157, See Page(s) 02-013-00 01, 02-019-00 01, 02-033-00 01, 03-011-00 01, 03-019-00 01, 04-029-00 01
2	KRH1641	1	ENGINE, , DCH22U0158 And After, See Page(s) 02-013-00 01, 02-019-00 01, 02-033-00 01, 03-011-00 01, 03-019-00 01, 04-029-00-01
13	167984A1	2	SPACER,
14	KRH1341	1	SUPPORT,
15	KHH0485	1	SUPPORT,
16	159657A1	7	BOLT, M10 x 20; 10.9
17	153604A1	1	NUT,
18	150409A1	8	WASHER, 10,5 x 21 x 3,2 mm
19	KRH1225	4	RUBBER BLOCK,
20	KRH1226	4	RUBBER BLOCK,
21	827-16140	2	BOLT, Hex, M16 x 140, 10.9, M16 x 140; 10.9
22	828-16210	2	BOLT, Hex, M16 x 210, 10.9, M16 x 210; 10.9
23	150814A1	6	WASHER, 17 x 32 x 4,5 mm
24	KRH1256	6	PLATE,
25	829-1416	2	NUT, M16, CI 10, M16; 10
26	KRH1251	2	NUT, M16
27	KRH1261	1	STEP,
28	167518A1	2	BOLT,
29	166355A1	1	BOLT,
30	892-11010	1	WASHER, LOCK, M10, W10
31	895-11010	1	WASHER, M10 x 20 x 2, M10



<https://www.ebooklibonline.com>

Hello dear friend!

Thank you very much for reading.

Enter the link into your browser.

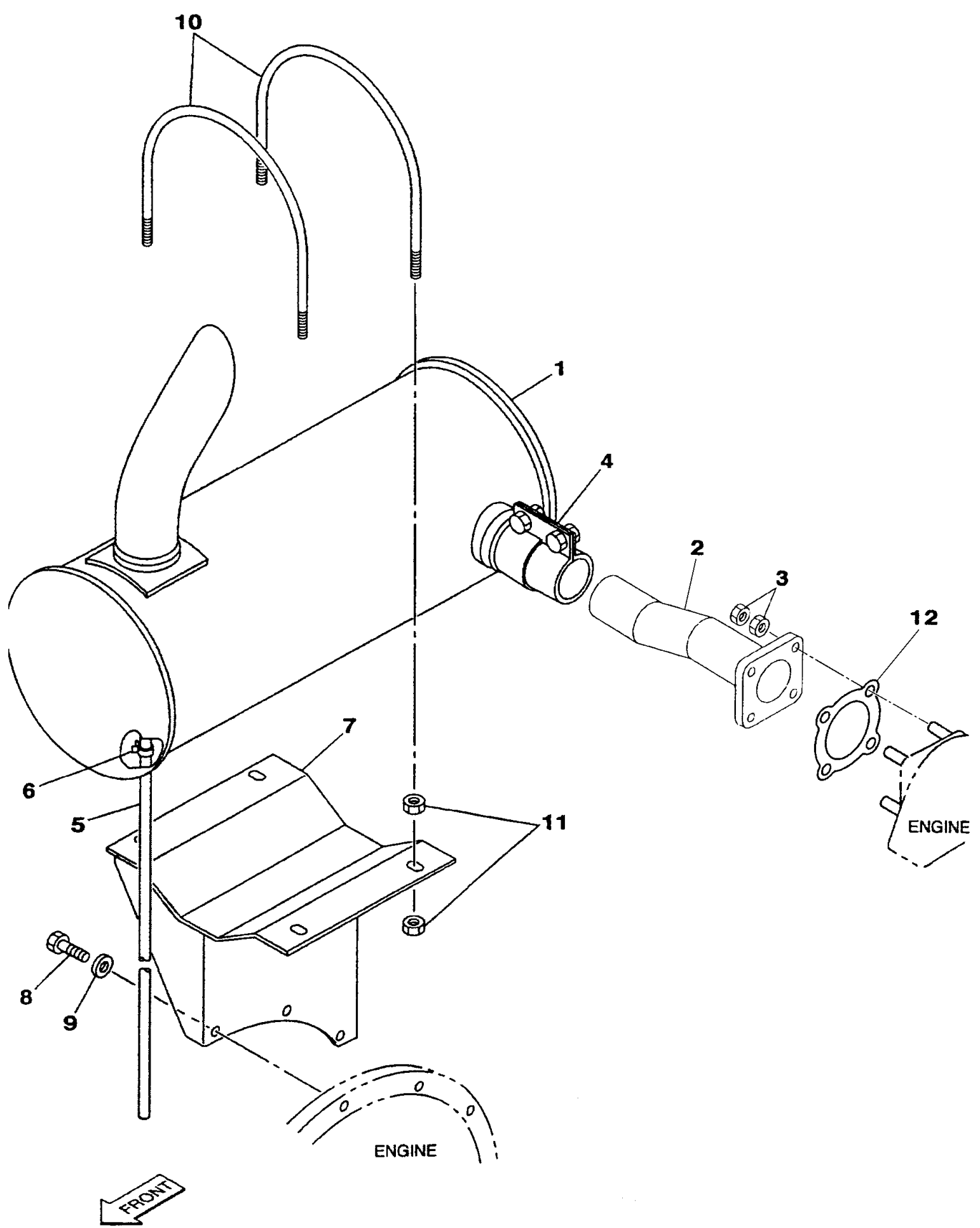
The full manual is available for immediate download.

<https://www.ebooklibonline.com>

CX225SR CASE CRAWLER EXCAVATOR (EU)

02-005-00(01) AIR FILTRATION

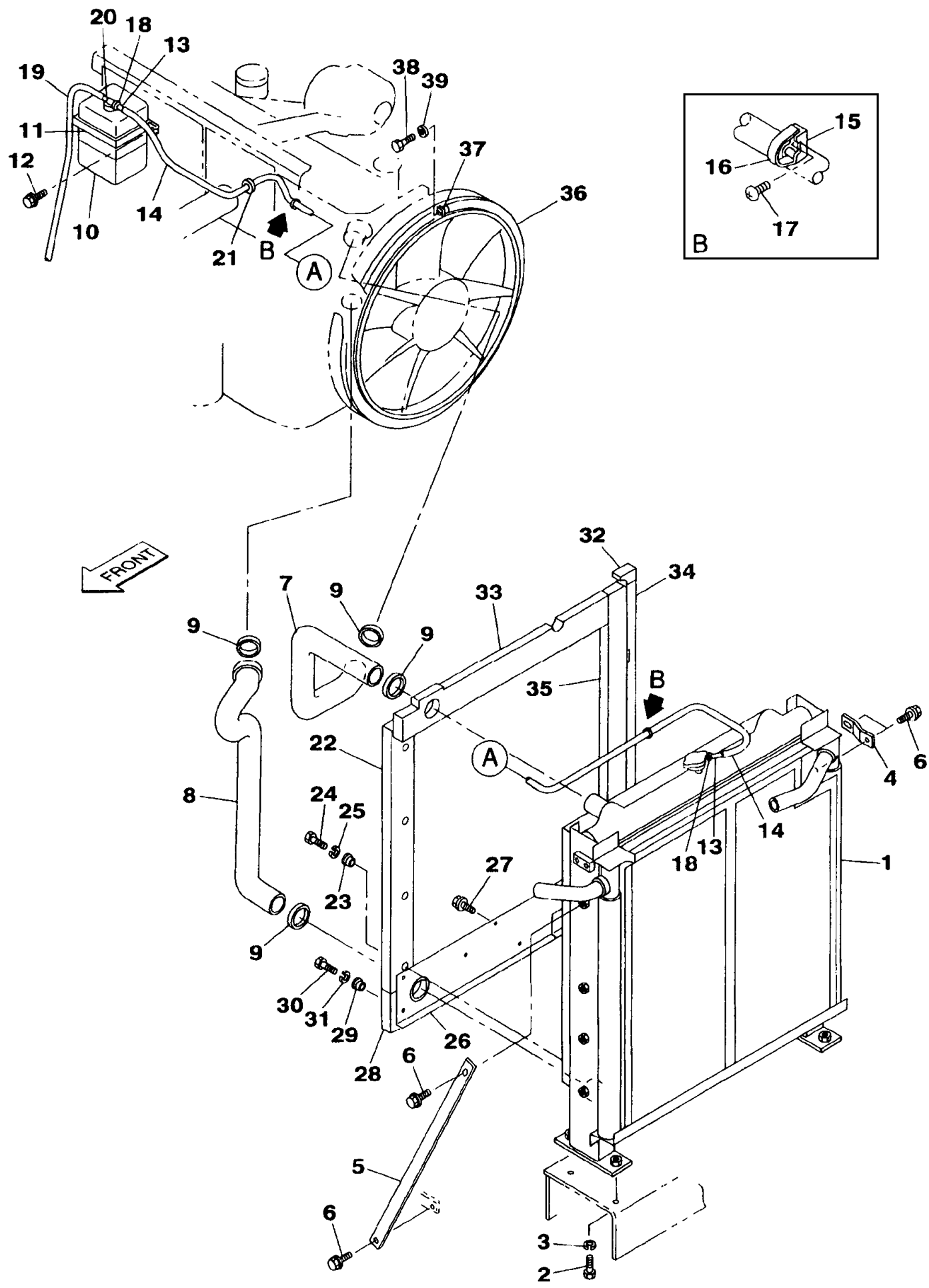
Ref	Part Number	Qty	Description
2	KRH1319	1	AIR CLEANER, , Consists Of Ref. Numbers 3 To 7
3	KRH1248	1	BODY,
4	KRH0652	1	FILTER, AIR,
5	KRH1320	1	FILTER, AIR,
6	KRH1249	1	COVER,
7	KRH1250	1	VALVE,
8	165437A1	1	CAP,
9	KRH1536	1	BREATHER,
10	166351A1	4	BOLT,
11	166052A1	4	BOLT,
12	KRH1237	1	ELBOW,
13	157780A1	1	HOSE,
14	KRH1236	1	SEAL,
15	165951A1	2	CLAMP,
16	KSH0050	1	INDICATOR,
17	KRH1534	1	HOSE, LARGE,
18	150545A1	1	CLAMP,
19	KRH1535	1	BREATHER,
20	166052A1	4	BOLT,
21	KRH1533	1	HOSE, LARGE,
22	150902A1	4	CLAMP,



CX225SR CASE CRAWLER EXCAVATOR (EU)

02-007-00(01) EXHAUST

Ref	Part Number	Qty	Description
1	KRH1459	1	MUFFLER,
2	KRH1480	1	PIPE, EXHAUST SYSTEM,
3	829-1408	8	NUT, M8, CI 10, M8; 10
4	KRH1321	1	CLAMP,
5	157480A1	1	TUBE, 900 mm (35-1/2 in)
6	151367A1	1	CLAMP,
7	KRH1371	1	BRACKET,
8	627-10035	3	BOLT, Hex, M10 x 35, 10.9, Full Thd, M10 x 35; 10.9
9	150409A1	3	WASHER, 10,5 x 21 x 3,2 mm
10	159696A1	2	U-BOLT,
11	150472A1	8	NUT,
12	167996A1	1	GASKET,

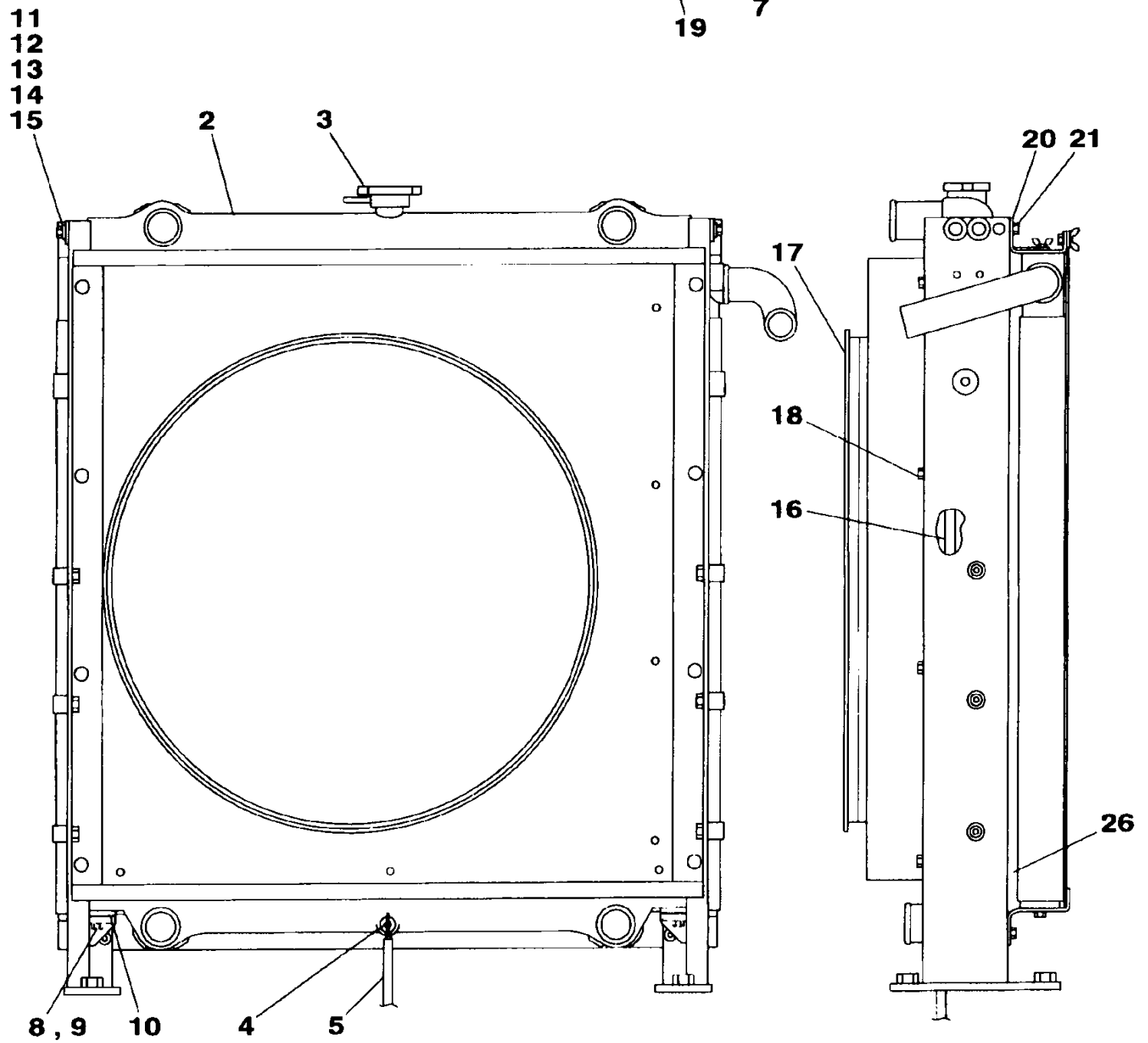
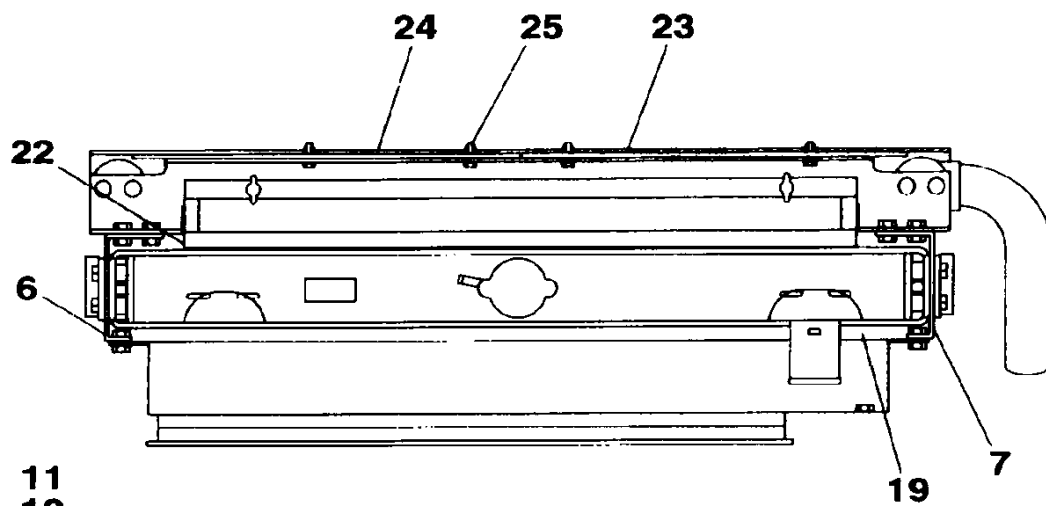


CX225SR CASE CRAWLER EXCAVATOR (EU)

02-009-00(01) WATER CIRCUIT

Ref	Part Number	Qty	Description
1	NSS	1	NOT SERVICED SEPARATELY, , See Page(s) 02-011
2	627-16035	4	BOLT, Hex, M16 x 35, 10.9, Hex, M16 x 35, 10.9
3	150814A1	4	WASHER, 17 x 32 x 4,5 mm
4	KRH1484	1	STAY,
5	KRH1483	1	STAY,
6	152718A1	4	BOLT,
7	KRH1547	1	HOSE, LARGE,
8	KRH1482	1	HOSE, LARGE,
9	165793A1	4	CLAMP,
10	KHH0260	1	TANK,
11	KRH1270	1	HOLDER,
12	166052A1	2	BOLT,
13	150740A1	1	HOSE, LARGE,
14	157138A1	1	TUBE,
15	150860A1	2	CLAMP,
16	150496A1	2	MOUNTING CLIP,
17	840-168	2	SCREW, Cross Pan Hd, M6 x 8,
18	165951A1	2	CLAMP,
19	157487A1	1	HOSE, , Replaced By 150047A1
19	150047A1	1	MOTOR, Hose
20	165952A1	1	MOUNTING CLIP,
21	159363A1	1	GROMMET,
22	KRH1532	1	SEAL,
23	KHH0358	4	RETAINER,
24	827-8040	4	BOLT, Hex, M8 x 40, 10.9,
25	895-11008	4	WASHER, M8 x 16 x 1.6, 9 x 16 x 1,6 mm
26	KRH1548	1	RETAINER, SEAL,
27	166345A1	3	BOLT,
28	KRH1549	1	SEAL,
29	KHH0358	4	RETAINER,
30	827-8040	4	BOLT, Hex, M8 x 40, 10.9,
31	895-11008	4	WASHER, M8 x 16 x 1.6, 9 x 16 x 1,6 mm
32	KRH1492	1	SEAL,
33	KRH1530	1	SEAL,
34	KRH1488	1	SEAL,
35	KRH1531	1	SEAL,
36	KRH1375	1	GASKET,
37	KRH1376	1	MOUNTING CLIP,
38	KRH1377	1	SCREW,
39	895-11005	1	WASHER, M5 x 10 x 1, 5,6 x 10 x 1 mm

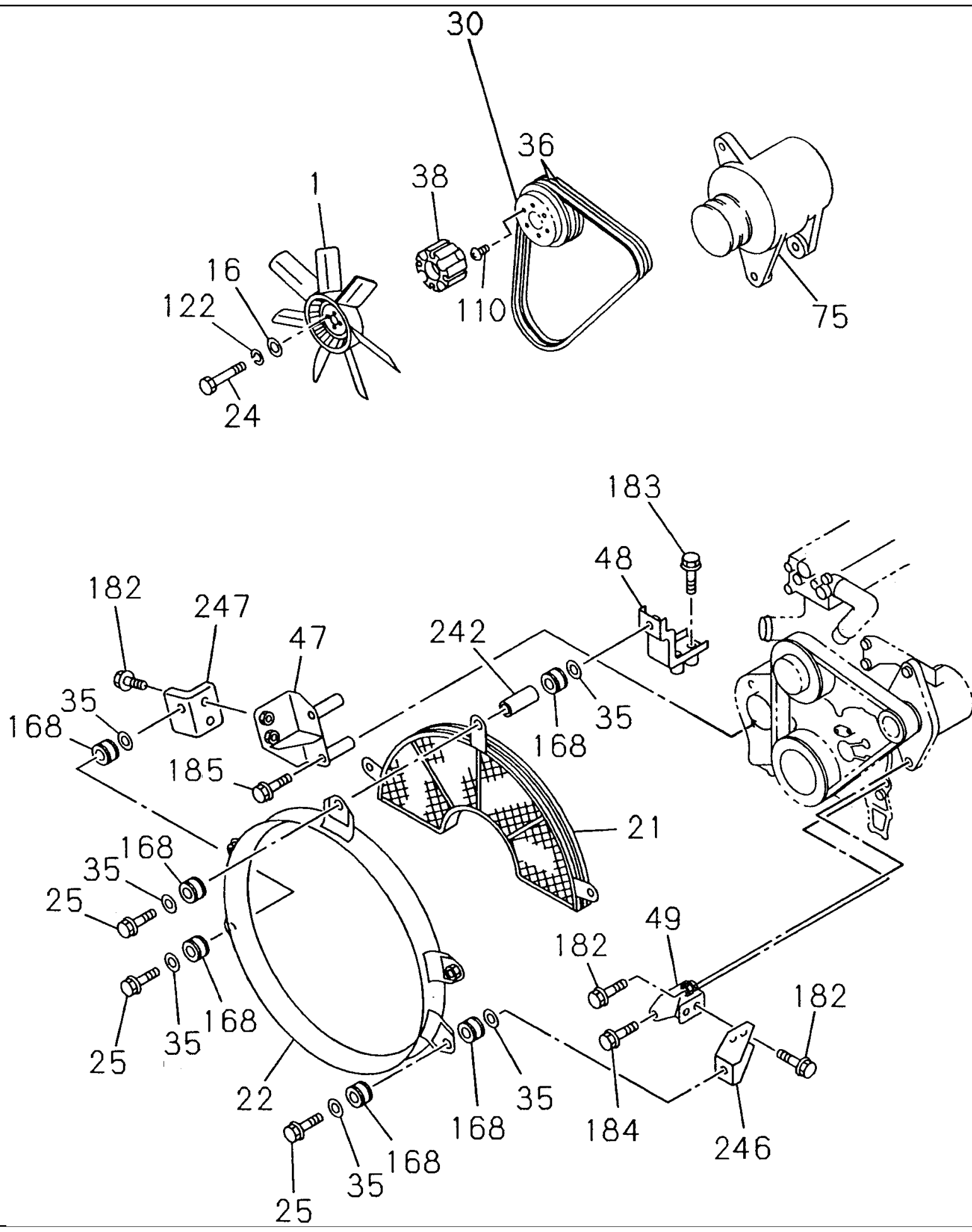
1 [2 , 3 , 4 , 5]



CX225SR CASE CRAWLER EXCAVATOR (EU)

02-011-00(01) RADIATOR

Ref	Part Number	Qty	Description
1	NSS	1	NOT SERVICED SEPARATELY, , Consists Of Ref. Numbers 1 To 26
1	LN00084	1	RADIATOR, , Consists Of Ref. Numbers 2 To 5
2	LN00085	1	RADIATOR,
3	165655A1	1	CAP,
4	LK00283	1	FAUCET,
5	LK00381	1	HOSE, FLEXIBLE,
6	LS00200	1	BRACKET,
7	LS00201	1	BRACKET,
8	LQ00023	2	RUBBER SEAL,
9	LA00682	2	WASHER,
10	165658A1	2	GEAR WHEEL,
11	LH00318	4	CLAMP,
12	LQ00029	4	RING, PACKING,
13	LA00680	4	WASHER,
14	LQ00030	4	RING, PACKING,
15	LA00688	4	SCREW,
16	LE00987	2	FOAM,
17	LG00427	1	HOUSING, FAN,
18	164554A1	8	BOLT,
19	LE00987	2	FOAM,
20	LN00086	1	COOLER, OIL,
21	164554A1	8	BOLT,
22	LJ00949	1	FOAM,
23	LJ00950	1	FOAM,
24	LJ00951	1	FOAM,
25	LUG0096	6	SCREW,
26	LE00989	2	FOAM,



CX225SR CASE CRAWLER EXCAVATOR (EU)

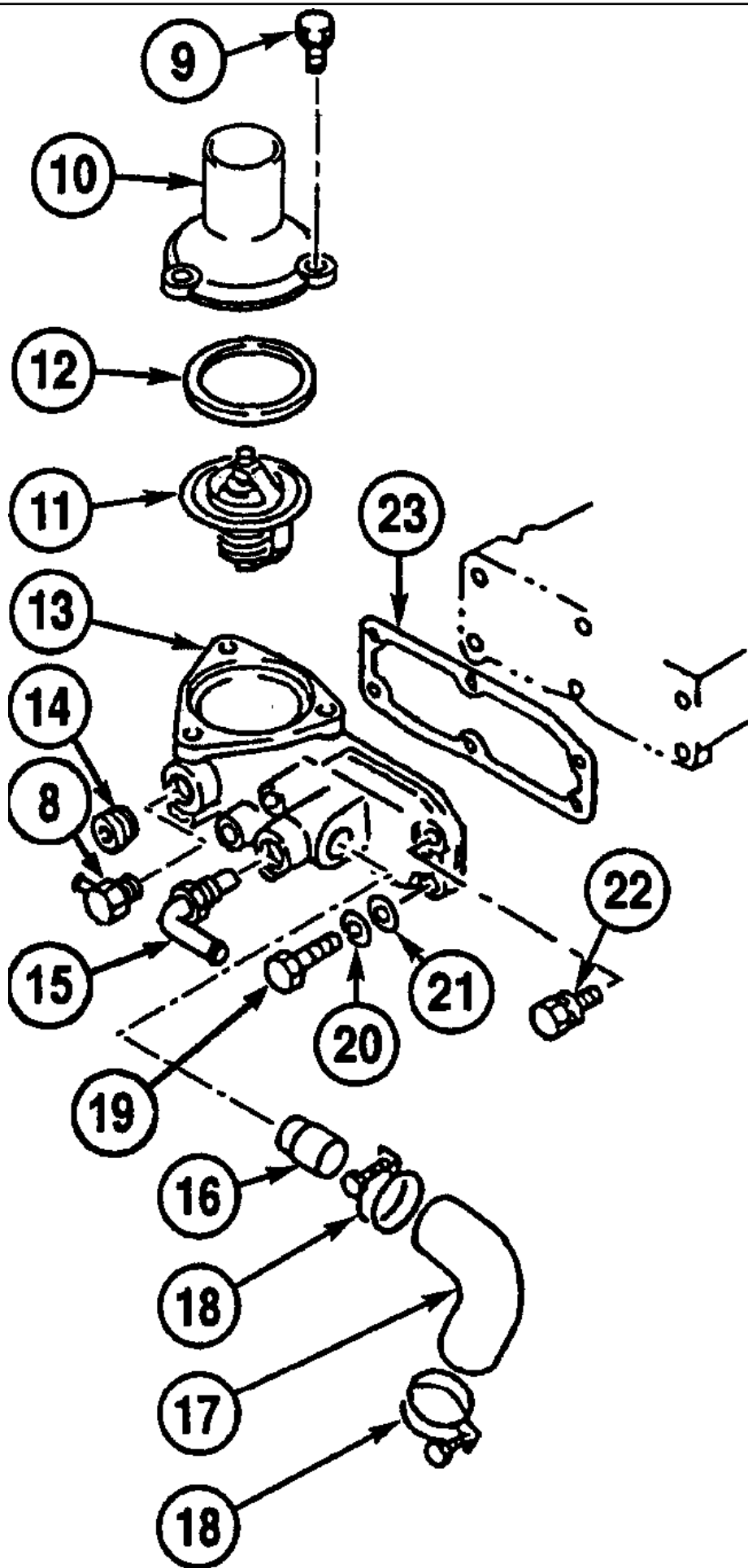
02-013-00(01) DRIVE BELT GUARD - VENTILATOR

Ref	Part Number	Qty	Description
1	288757A1	1	FAN,
16	289797A1	4	WASHER,
21	419718A1	1	GUIDE,
22	419719A1	1	GUIDE,
24	87405528	4	BOLT,
25	288700A1	3	SCREW, M10 x 45
30	86989710	1	PULLEY,
35	419722A1	6	WASHER,
36	288868A1	1	BELTS, SET OF 2, , DCH22U0101 To DCH22U0149
36	87456836	1	BELT, , DCH22U0150 And After
38	87405630	1	SPACER,
47	87329009	1	BRACKET,
48	419724A1	1	BRACKET,
49	87329010	1	BRACKET,
75	87405690	1	ALTERNATOR, , See Page(s) 04-029-00-01
110	289760A1	2	SCREW, M6 x 10
122	289782A1	4	WASHER, W8
168	419726A1	6	WASHER, RUBBER,
182	289000A1	4	BOLT, M10 x 25; 10.9
183	355652A1	2	SCREW, M10 x 60; 10.9
184	288986A1	1	BOLT, M8 x 50
185	288983A1	2	BOLT, M8 x 12
242	419731A1	3	TUBE,
246	419732A1	1	STAY,
247	419733A1	1	STAY,

CX225SR CASE CRAWLER EXCAVATOR (EU)

02-015-00(01) WATER PUMP

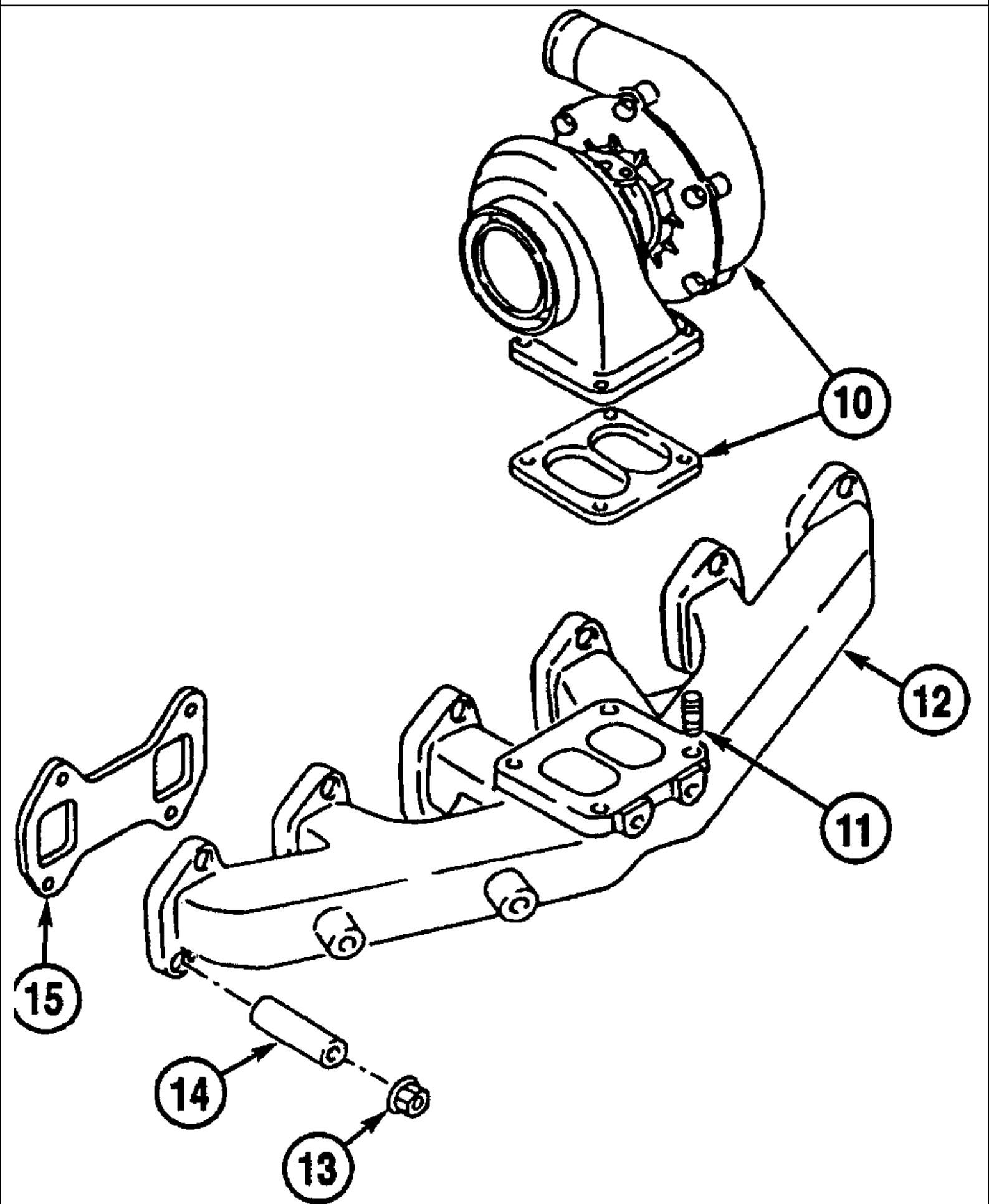
Ref	Part Number	Qty	Description
1	288878A1	1	PUMP, WATER, , Consists Of Ref. Numbers 4, 10A To 20, 25, 65, 117
3	289654A1	1	GASKET,
4	288877A1	1	KIT, GASKET, , Consists Of Ref. Numbers 3, 8, 9A, 9B, 16 To 19, 28, 29
8	289485A1	1	DUST CAP,
9B	289851A1	1	RING,
9C	289801A1	1	RING,
10B	289433A1	1	BEARING,
10C	289432A1	1	BEARING,
11	289484A1	1	SPACER,
16	87438342	1	GASKET,
17	288844A1	1	GASKET,
18	288845A1	1	IMPELLER,
19	288843A1	1	GASKET,
20	288842A1	1	HOOD,
24	288990A1	1	BOLT, M10 x 70
24	288989A1	2	BOLT, M10 x 50
24	289001A1	1	BOLT, M10 x 35
25	289488A1	1	FLANGE,
28	289071A1	1	WASHER,
29	289194A1	1	SHAFT,
65	289759A1	3	SCREW,
117	419713A1	1	CONNECTOR,



CX225SR CASE CRAWLER EXCAVATOR (EU)

02-017-00(01) WATER CIRCUIT - THERMOSTAT

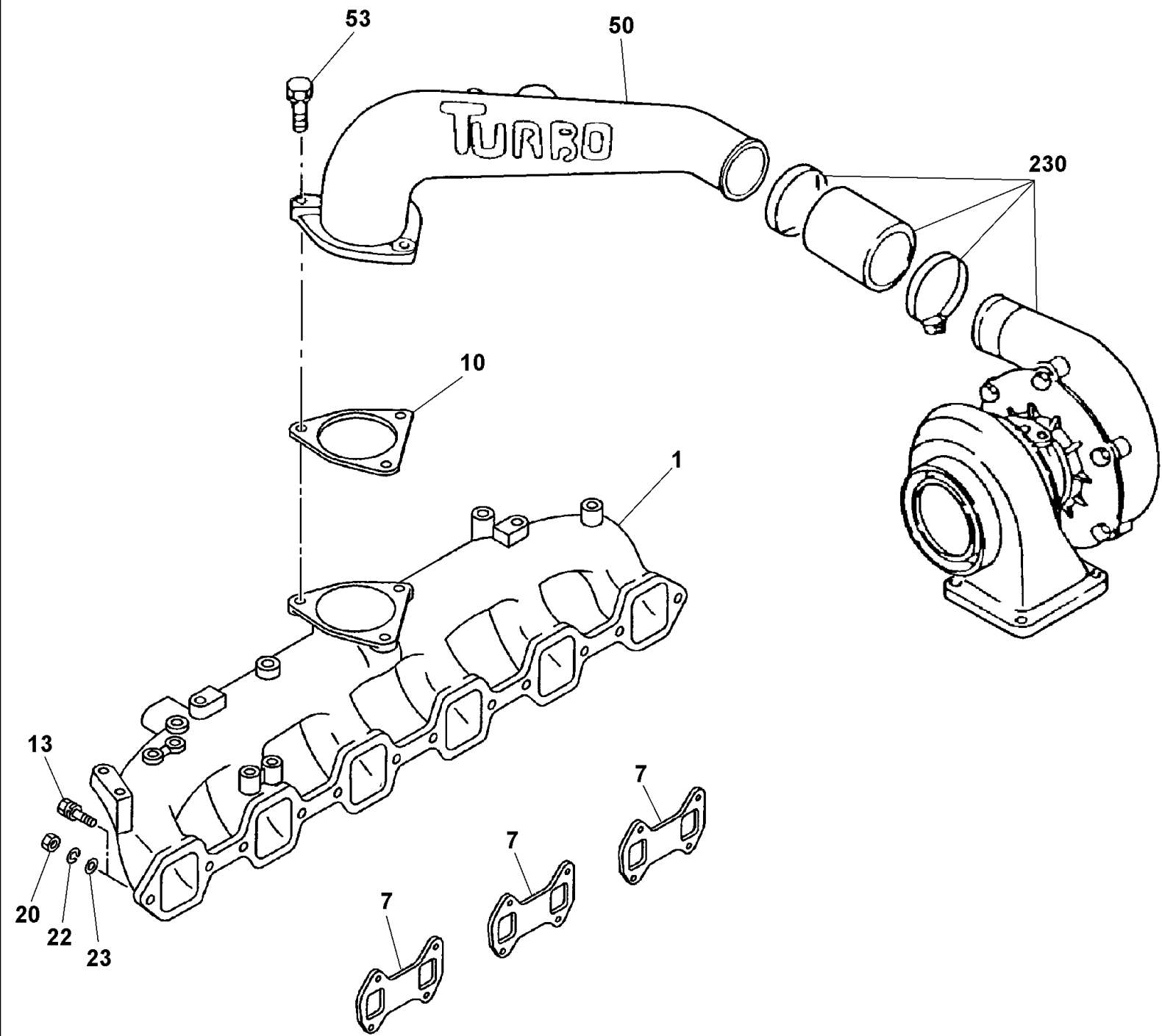
Ref	Part Number	Qty	Description
8	288815A1	1	TUBE,
9	288695A1	1	SCREW, M8 x 22
9	419941A1	2	BOLT, M8 x 35
10	419714A1	1	TUBE,
11	289205A1	1	THERMOSTAT,
12	289204A1	1	PACKING,
13	87405692	1	HOUSING,
14	289415A1	1	PLUG, PT 3/4
15	288816A1	1	TUBE,
16	419717A1	1	TUBE,
17	288834A1	1	HOSE, LARGE,
18	289426A1	2	CLIP,
19	288973A1	3	BOLT, M10 x 95
20	289783A1	3	WASHER,
21	289788A1	3	WASHER,
22	289001A1	1	BOLT, M10 x 35
23	433822A1	1	GASKET,



CX225SR CASE CRAWLER EXCAVATOR (EU)

02-019-00(01) EXHAUST PIPE

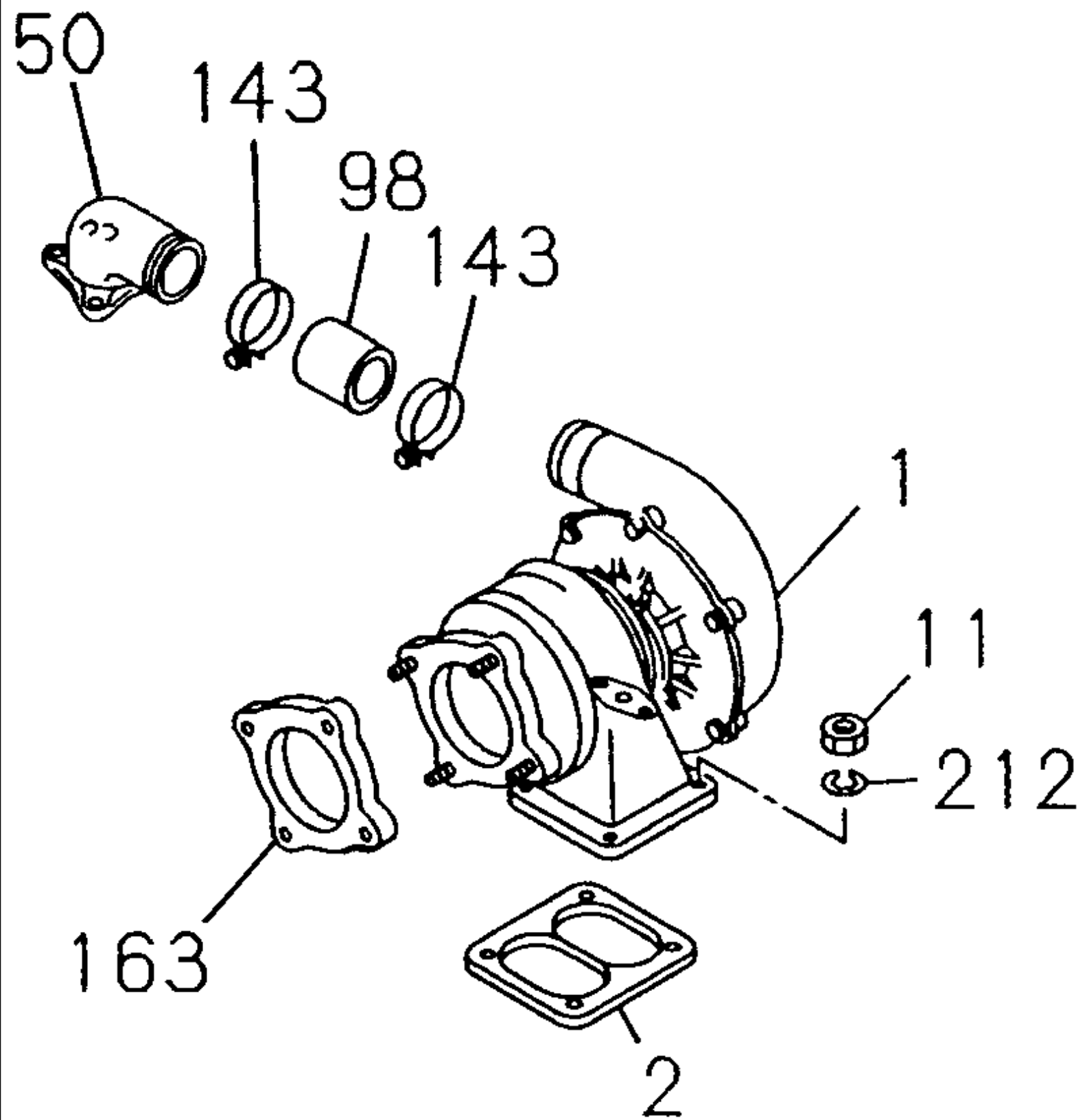
Ref	Part Number	Qty	Description
10	REF	1	INSTRUCTION, , See Page(s) 02-023
11	289765A1	3	STUD, M10 x 40
11	289062A1	1	STUD, M10-1,25
12	289210A1	1	MANIFOLD,
13	289068A1	12	NUT, M8
14	289214A1	12	TUBE,
15	289667A1	3	GASKET,



CX225SR CASE CRAWLER EXCAVATOR (EU)

02-021-00(01) INTAKE PIPE

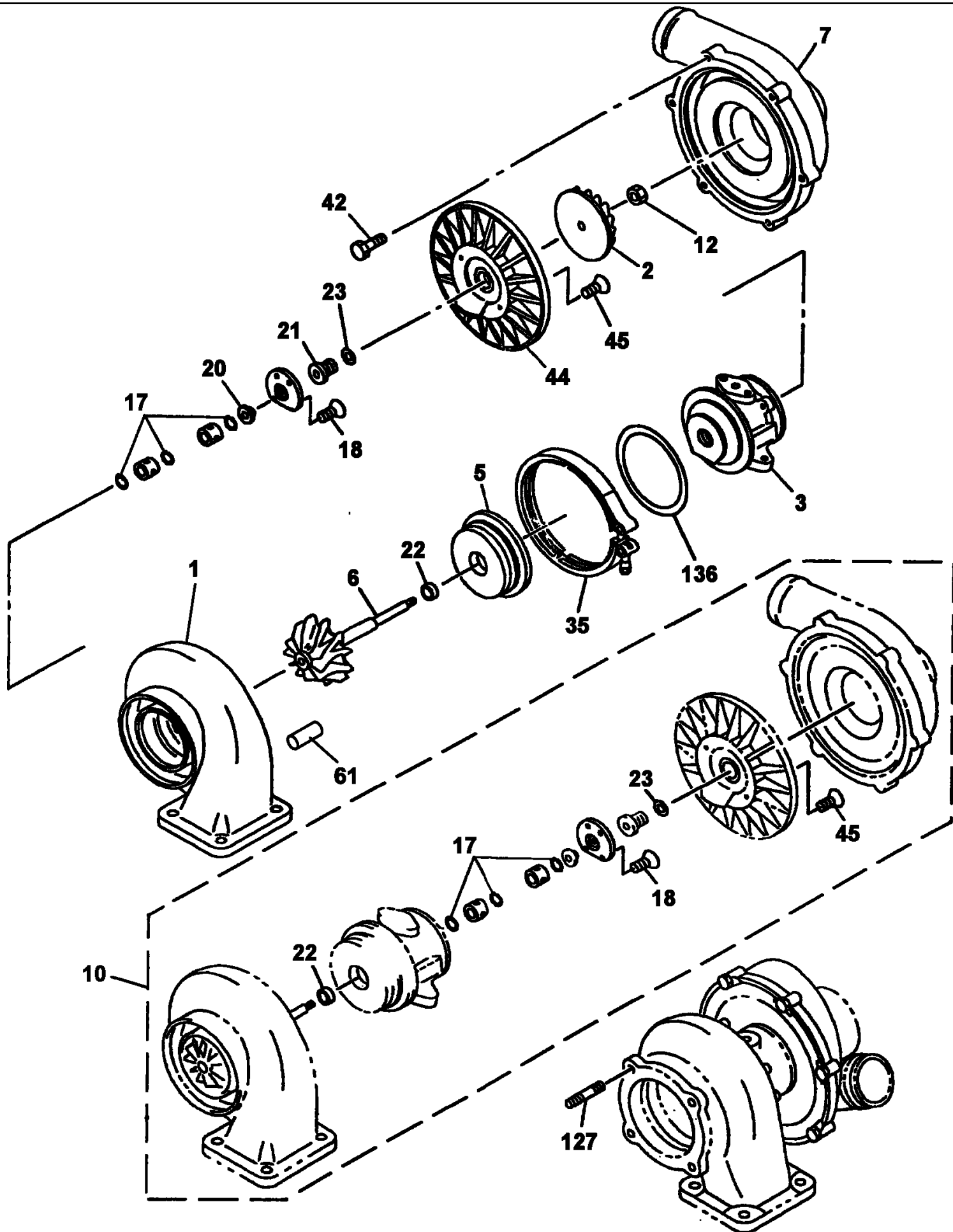
Ref	Part Number	Qty	Description
1	289206A1	1	MANIFOLD,
7	419709A1	3	PACKING, , Replaced By 87448397
7	87448397	3	PACKING,
10	289208A1	1	PACKING,
13	289035A1	6	BOLT, M8 x 28
20	289775A1	6	NUT, M8
22	289782A1	6	WASHER, W8
23	289787A1	6	WASHER, M8
27	447001A1	3	STUD,
50	288761A1	1	END FITTING,
53	288997A1	3	BOLT, M8 x 35; 10,9
54	289782A1	3	WASHER, W8
55	289775A1	3	NUT, M8
192	289787A1	3	WASHER, M8
225	289764A1	2	STUD, M10 x 43
230	REF	1	INSTRUCTION, , See Page(s) 02-023-00-01, 02-025-00-01



CX225SR CASE CRAWLER EXCAVATOR (EU)

02-023-00(01) TURBOCHARGER

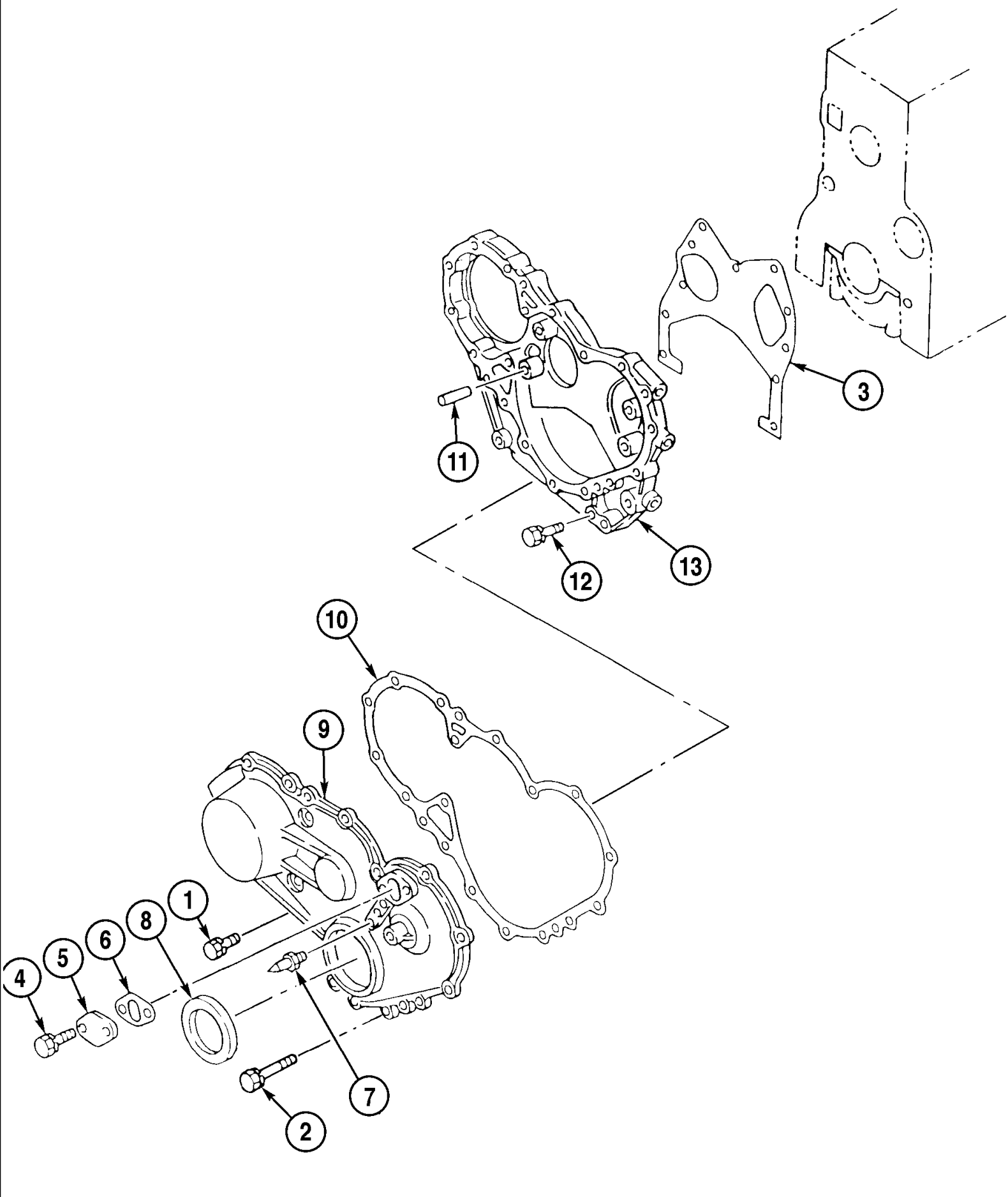
Ref	Part Number	Qty	Description
1	288762A1	1	TURBOCHARGER, , See Page(s) 02-025-00-01
2	289212A1	1	GASKET,
11	289831A1	3	NUT, M10
11	289065A1	1	NUT, M10-1,25
50	288761A1	1	END FITTING, , See Page(s) 02-021-00-01
98	289064A1	1	HOSE,
143	86988790	2	CLIP,
163	289213A1	1	GASKET,
212	289070A1	4	WASHER,



CX225SR CASE CRAWLER EXCAVATOR (EU)

02-025-00(01) TURBOCHARGER

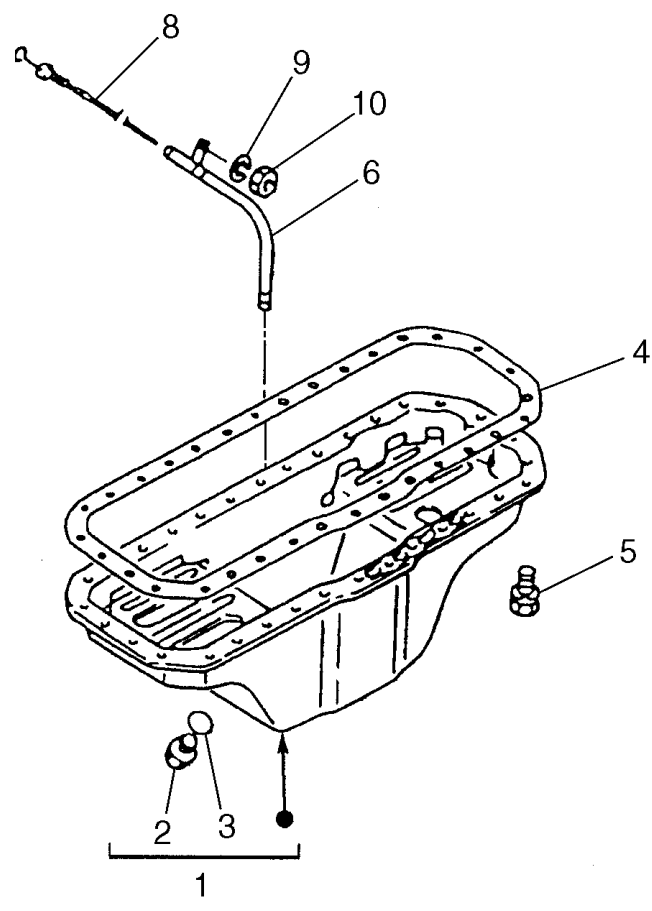
Ref	Part Number	Qty	Description
	288762A1	1	TURBOCHARGER, , Consists Of Ref. Numbers 1 To 136
1	447188A1	1	HOUSING,
2	447189A1	1	IMPELLER,
3	437938A1	1	HOUSING,
5	447190A1	1	PROTECTOR,
6	447191A1	1	SHAFT,
7	447192A1	1	HOUSING,
10	437942A1	1	KIT, , Consists Of Ref. Numbers 17, 18, 22, 23, 45
12	289066A1	1	NUT,
17	289230A1	3	RING,
18	437866A1	4	SCREW,
20	447193A1	1	BUSHING,
21	447194A1	1	SHROUD,
22	289228A1	1	RING,
23	289227A1	1	RING,
35	438169A1	1	CLAMP,
42	447195A1	6	BOLT,
44	87409263	1	TURBINE,
45	437865A1	4	SCREW,
61	438168A1	1	PIN,
127	289763A1	4	BOLT,
136	437937A1	1	GASKET,



CX225SR CASE CRAWLER EXCAVATOR (EU)

02-027-00(01) FRONT TIMING GEAR COVER

Ref	Part Number	Qty	Description
1	288996A1	6	BOLT, M8 x 25; 10.9
2	288986A1	3	BOLT, M8 x 50
3	289658A1	1	PACKING,
4	288982A1	4	BOLT, M6 x 14; 10.9
5	355271A1	2	COVER,
6	355274A1	2	SEAL,
7	289447A1	1	POINTER,
8	289090A1	1	SEAL,
9	289131A1	1	COVER,
10	87405524	1	KIT, ENGINE OVERHAUL,
11	289771A1	1	PIN, dia 10
12	288985A1	2	BOLT, M8 x 45
12	288995A1	4	BOLT, M8 x 20
13	289445A1	1	CASE,





Suggest:

If the above button click is invalid.

Please download this document

first, and then click the above link

to download the complete manual.

Thank you so much for reading

CX225SR CASE CRAWLER EXCAVATOR (EU)

02-029-00(01) OIL PAN

Ref	Part Number	Qty	Description
1	288729A1	1	PAN, ENGINE OIL, , Consists Of Ref. Numbers 2, 3
2	289820A1	1	PLUG,
3	288713A1	1	GASKET,
4	87597152	1	PACKING,
5	362154A1	32	BOLT, M8 x 18
6	288737A1	1	TUBE, , Consists Of Ref. Number 7
7	289418A1	2	GASKET, , Not Illustrated
8	288736A1	1	DIPSTICK,
9	289782A1	1	WASHER, W8
10	289777A1	1	NUT, M8

DCH22U0101 To DCH22U0157

<https://www.ebooklibonline.com>

Hello dear friend!

Thank you very much for reading.

Enter the link into your browser.

The full manual is available for immediate download.

<https://www.ebooklibonline.com>