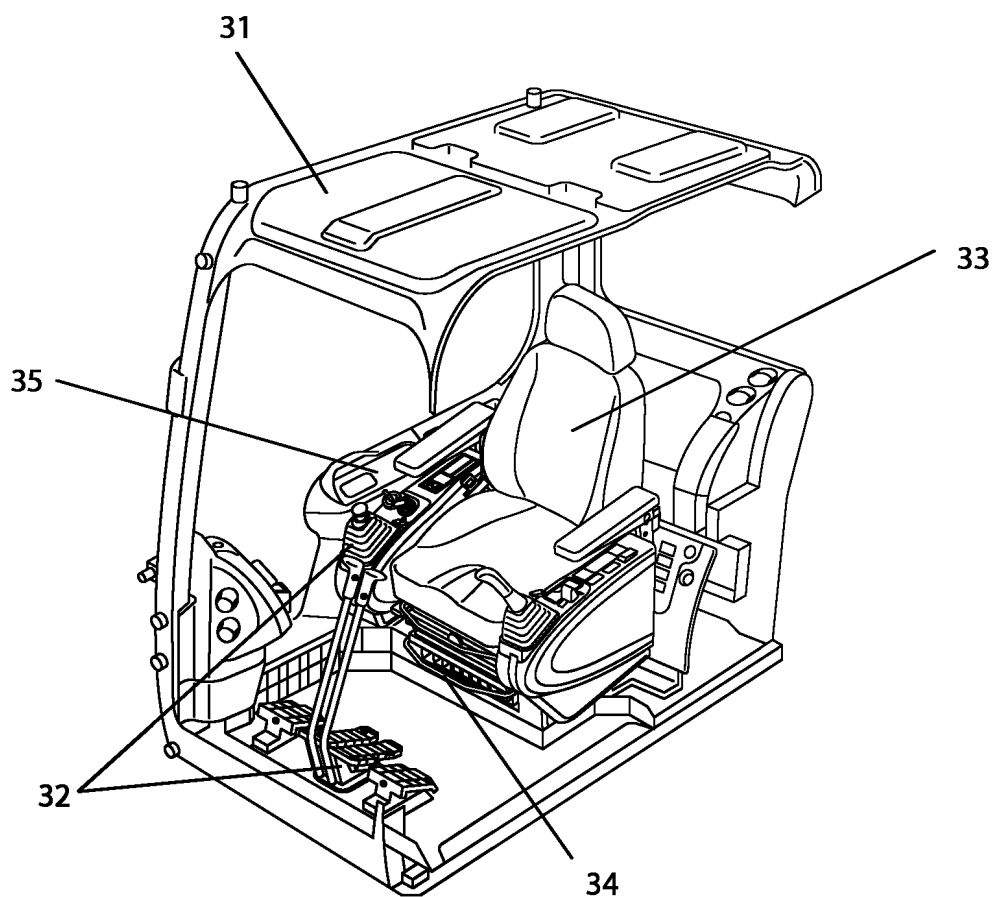
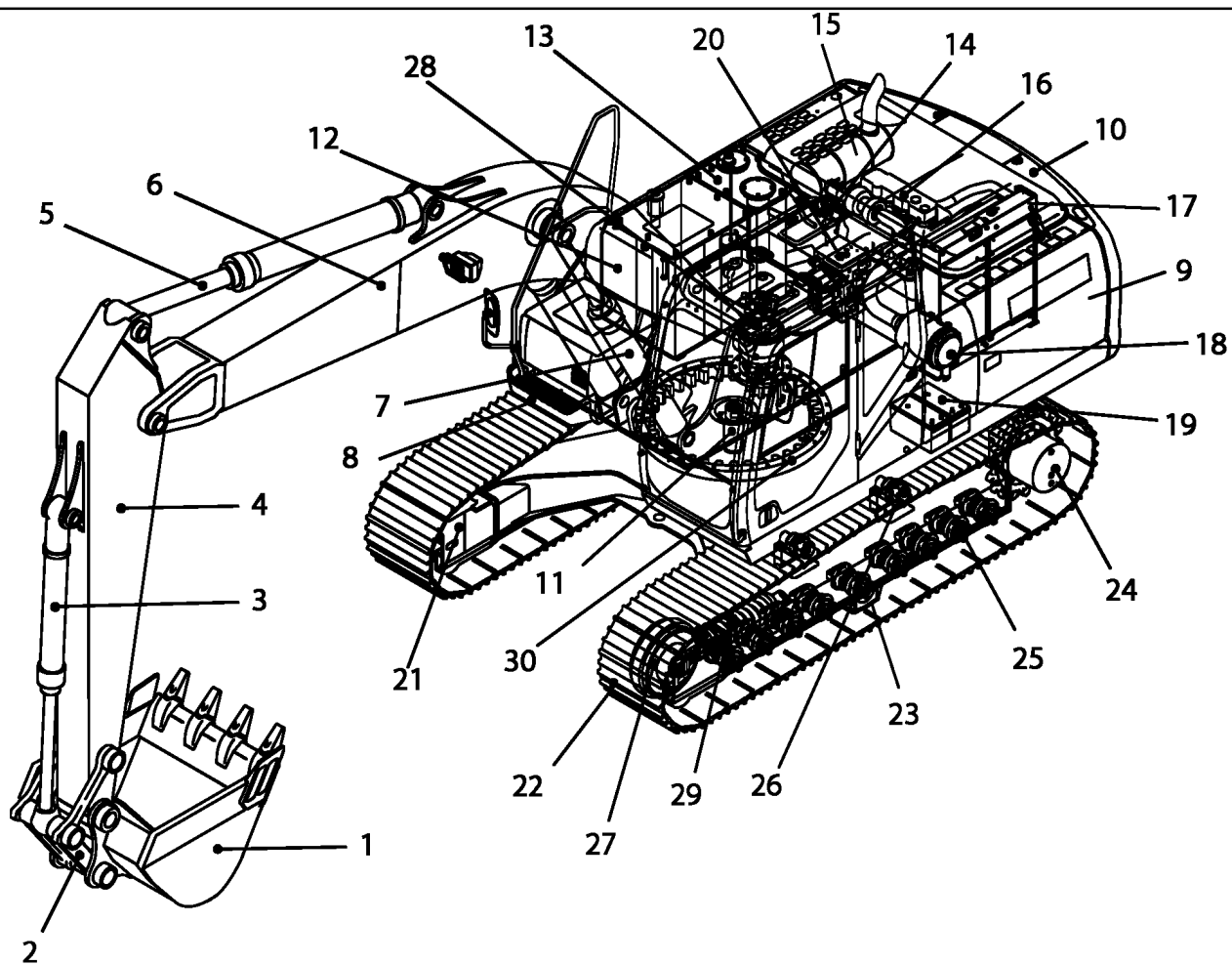




PARTS CATALOGUE

CRAWLER EXCAVATOR
CX210B



CX210B CRAWLER EXCAVATOR - TIER III (EUROPE) (1/07-)

00-001-00(01) COMPONENT INDEX

| Ref | Part Number | Qty | Description |
|-----|-------------|-----|---------------------------------------------------------------------------------------------------------|
| 1 | | 1 | BUCKET - See Figure(s) 09-310-00 01 - 09-316-02 01 |
| 2 | | 1 | BUCKET CONTROL - See Figure(s) 09-300-00 01, 09-317-00 01 |
| 3 | | 1 | BUCKET CYLINDER - See Figure(s) 08-021-00 01, 08-303-00 01 |
| 4 | | 1 | DIPPER - See Figure(s) 09-201-00 01, 09-204-00 01 |
| 5 | | 1 | DIPPER CYLINDER - See Figures 08-017-00 01, 08-018-00 01, 08-302-00 1, 08-302-01 01 |
| 6 | | 1 | MONOBLOCK BOOM - See Figure(s) 09-100-00 01 |
| 7 | | 1 | BOOM CYLINDER - See Figure(s) 08-013-00 01 - 08-014-01 01, 08-300-00 01 - 08-301-01 01 |
| 8 | | 1 | UPPERSTRUCTURE CHASSIS - See Figure(s) 09-002-00 01, 09-003-00 01 |
| 9 | | 1 | COWLING - See Figure(s) 09-005-00 01 - 09-008-00 01 |
| 10 | | 1 | COUNTERWEIGHT - See Figure(s) 09-004-00 01 |
| 11 | | 1 | SWING JOINT - See Figure(s) 07-010-00 01 |
| 12 | | 1 | FUEL TANK, FUEL SYSTEM - See Figure(s) 03-001-00 01 - 03-086-01 01 |
| 13 | | 1 | HYDRAULIC RESERVOIR, HYDRAULIC SYSTEM - See Figure(s) 08-001-00 01, 08-004-00 01 - 08-067-00 01 |
| 14 | | 1 | HYDRAULIC PUMP - See Figure(s) 08-002-00 01, 08-003-00 01 |
| 15 | | 1 | EXHAUST ENGINE - See Figure(s) 02-003-00 01 |
| 16 | | 1 | ENGINE - See Figure(s) 02-001-00 01, 02-005-01 01 To 02-826-01 01 |
| 17 | | 1 | RADIATOR - See Figure(s) 02-004-00 01, 02-005-00 01 |
| 18 | | 1 | AIR FILTRATION - See Figure(s) 02-002-00 01 |
| 19 | | 1 | BATTERIES, ELECTRICAL SYSTEM - See Figure(s) 04-001-00 01 To 04-815-01 01 |
| 20 | | 1 | CONTROL VALVE - See Figure(s) 08-200-00 01 To 08-206-00 01 |
| 21 | | 1 | UNDERCARRIAGE, HYDRAULIC CIRCUIT For CX210B LC - See Figure(s) 05-001-00 01, 07-001-00 01 |
| 21 | | 1 | UNDERCARRIAGE, HYDRAULIC CIRCUIT For CX210B NLC - See Figure(s) 05-001-01 01, 07-001-01 01 |
| 22 | | 1 | TRACK FOOT STEP - See Figure(s) 05-006-00 01 To 05-008-00 01 |
| 23 | | 1 | GUIDE, CHAIN - See Figure(s) 05-011-00 01, 05-011-01 01 |
| 24 | | 1 | TRAVEL MOTOR AND REDUCTION GEAR - See Figure(s) 06-001-00 01, 06-010-00 01, 07-011-00 01 - 07-012-00 01 |
| 25 | | 1 | ROLLER LOWER - See Figure(s) 05-003-00 01 |
| 26 | | 1 | ROLLER UPPER - See Figure(s) 05-002-00 01 |
| 27 | | 1 | GUIDE PULLEY - See Figure(s) 05-004-00 01 |
| 28 | | 1 | SWING MOTOR-DRIVE REDUCTION GEAR - See Figure(s) 06-002-00 01, 08-220-00 01 |
| 29 | | 1 | TENSION DAMPER - See Figure(s) 05-005-00 01 |
| 30 | | 1 | SWING COMPONENTS, LUBRICATION CIRCUIT - See Figure(s) 09-001-00 01 |
| 31 | | 1 | OPERATORS COMPARTMENT, CAB - See Figure(s) 04-011-00 01, 09-029-00 01 To 09-032-00 01 |
| 32 | | 1 | OPERATORS COMPARTMENT, LEVER, CONTROL - See Figure(s) 09-009-00 01 |
| 33 | | 1 | OPERATORS COMPARTMENT - SEAT AND CONTROL ARM MOUNTING - See Figure(s) 09-017-00 01 To 09-023-00 01 |
| 34 | | 1 | CAB AIR CONDITIONING - See Figure(s) 09-025-00 01 To 09-028-00 01 |
| 35 | | 1 | SIDE INSTRUMENT PANEL - See Figure(s) 09-029-00 01 |

<https://www.ebooklibonline.com>

Hello dear friend!

Thank you very much for reading.

Enter the link into your browser.

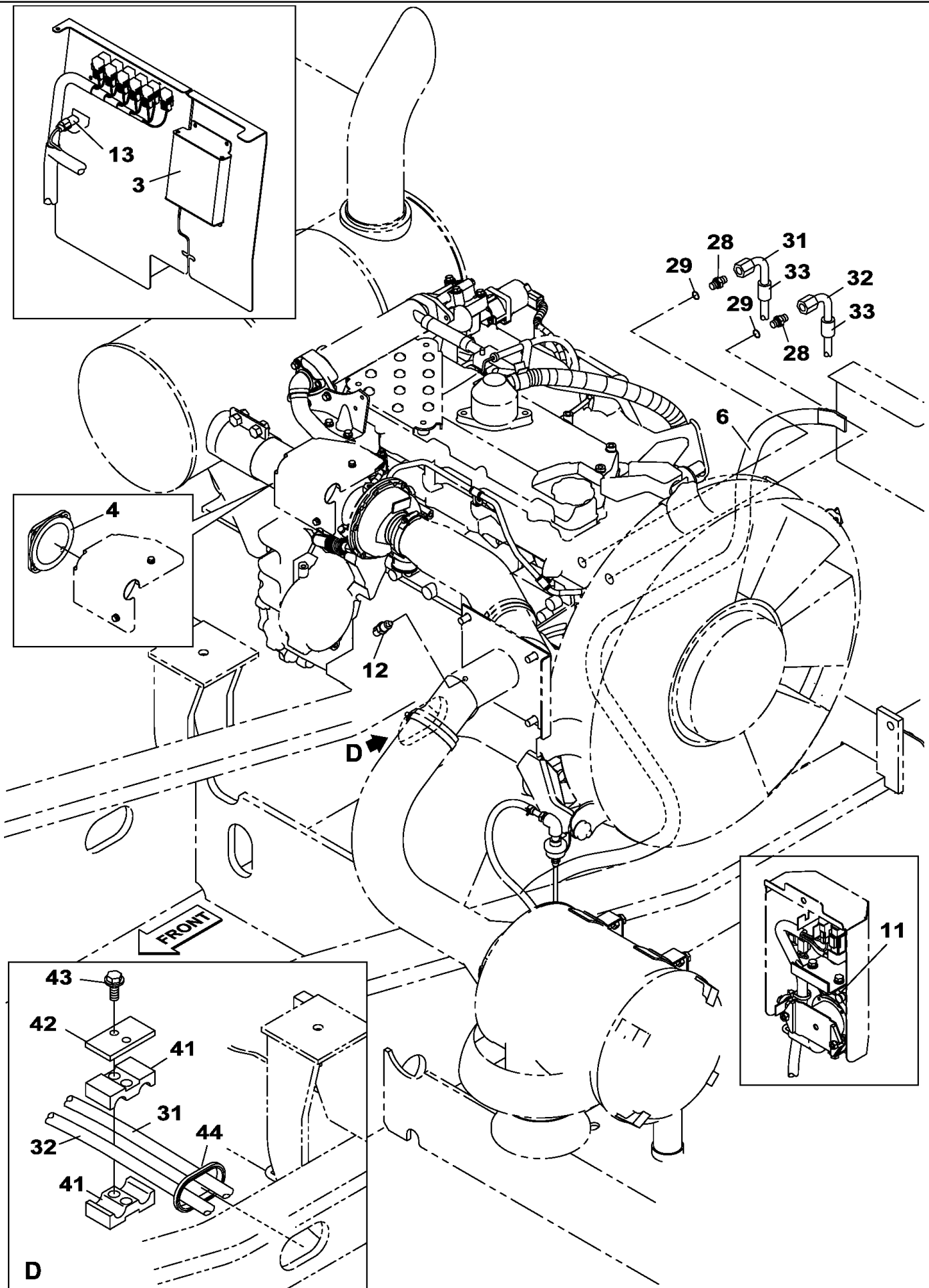
The full manual is available for immediate download.

<https://www.ebooklibonline.com>

CX210B CRAWLER EXCAVATOR - TIER III (EUROPE) (1/07-)

02-001-00(01) ENGINE MOUNTING - ENGINE - OIL CIRCUIT

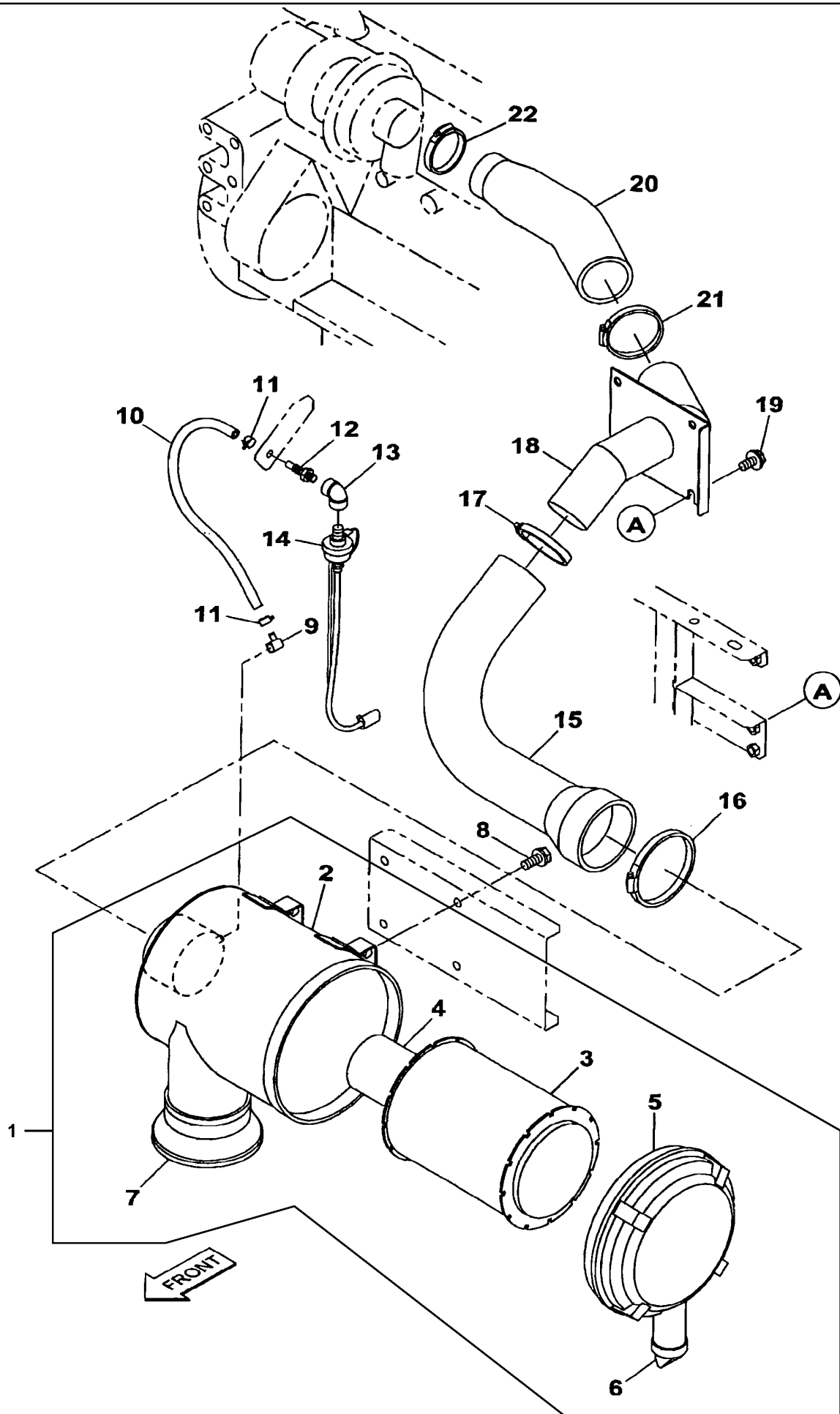
| Ref | Part Number | Qty | Description |
|-----|--------------|-----|--------------------------------------------------------------------------------------------------------------------------------------------------------------------------------------------|
| 2 | KRH11190 | 1 | ENGINE, , Include(s) 5, 7, 9; Also See Figure(s) 02-001-01 01 Ref. 3, 4, 6, 11, 12, 13, Figure(s) 02-005-01 01 To 02- 826-01 01; 03-040-01 01 - 03-042-01 01, 04-060-01 01 To 04-815-01 01 |
| 5 | REF | 1 | INSTRUCTION, Belt, See Figure(s) 02-033-01 01 Ref. 36 |
| 7 | REF | 1 | INSTRUCTION, Oil Filter, See Figure(s) 02-050 01 01 Ref. 496 |
| 9 | REF | 1 | INSTRUCTION, Fuel Filter, See Figure(s) 03-041-01 01 Ref. 1A |
| 14 | KRH10990 | 1 | SUPPORT, |
| 15 | 166347A1 | 4 | BOLT, M10 x 30 |
| 16 | KRH11000 | 1 | SUPPORT, |
| 17 | 627-10035 | 5 | BOLT, Hex, M10 x 35, 10.9, Full Thd, M10 x 35; 10.9 |
| 18 | 150409A1 | 5 | WASHER, |
| 19 | KRH10130 | 1 | SUPPORT, |
| 20 | KRH10140 | 1 | SUPPORT, |
| 21 | 166373A1 | 8 | BOLT, M16 x 40 |
| 22 | KRH10870 | 4 | SILENTBLOC, |
| 23 | KRH10860 | 4 | SILENTBLOC, |
| 24 | KRH10190 | 4 | PLATE, |
| 25 | 827-16130 | 4 | BOLT, Hex, M16 x 130, 10.9, M16 x 130; 10.9 |
| 26 | 150814A1 | 4 | WASHER, |
| 27 | KRH1251 | 4 | NUT, |
| 34 | 157580A1 | 2 | ELBOW, 90°, 3/4" O-Ring x 3/4", , Include(s) 35 |
| 35 | 154503A1 | 1 | O-RING, |
| 36 | 152012A1 | 1 | CONNECTOR, , Include(s) 37 |
| 37 | 154503A1 | 1 | O-RING, |
| 38 | 102R008Y110R | 2 | BOLT, M8 x 110 |
| 39 | KHH0515 | 2 | BOLT, M8 x 140 |
| 40 | 153081A1 | 4 | WASHER, |
| 45 | KRH11050 | 1 | STEP, |
| 46 | 827-8070 | 2 | BOLT, Hex, M8 x 70, 10.9, M8 x 70; 10.9 |
| 47 | 827-8040 | 1 | BOLT, Hex, M8 x 40, 10.9, M8 x 40; 10.9 |
| 48 | 153081A1 | 3 | WASHER, |



CX210B CRAWLER EXCAVATOR - TIER III (EUROPE) (1/07-)

02-001-01(01) ENGINE MOUNTING - ENGINE - OIL CIRCUIT

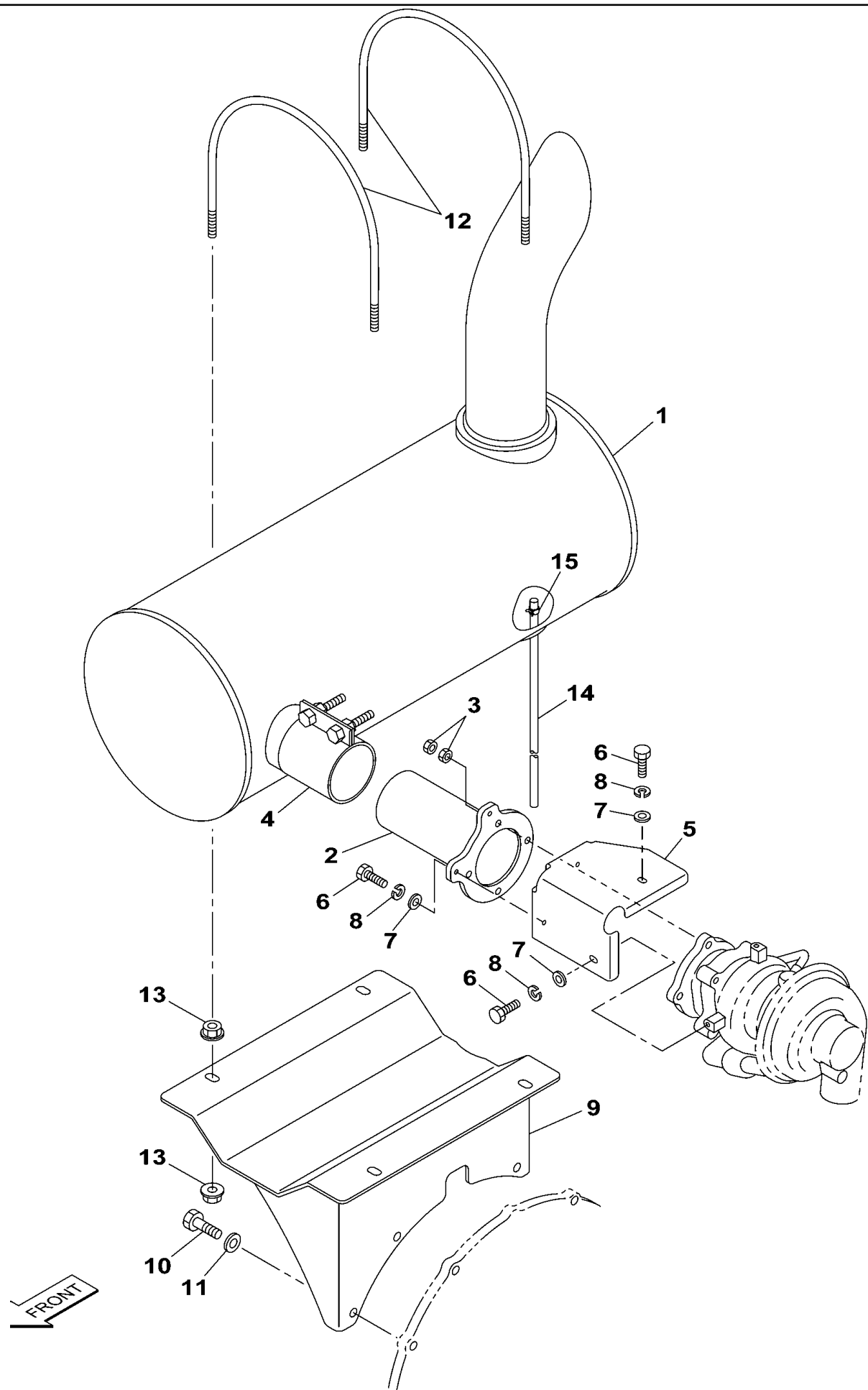
| Ref | Part Number | Qty | Description |
|-----|-------------|-----|-------------------------------------------------------------|
| 3 | REF | 1 | INSTRUCTION, Controler, See Figure(s) 04-060-02 01 Ref. 613 |
| 4 | KRH10570 | 1 | GASKET, Gasket |
| 6 | REF | 1 | INSTRUCTION, Harness, See Figure(s) 04-810-01 01 Ref.13A |
| 11 | REF | 1 | INSTRUCTION, Relay, See Figure(s) 04-060-02 01 Ref. 424 |
| 12 | REF | 1 | INSTRUCTION, Sensor, See Figure(s) 04-060-02 01 Ref. 796 |
| 13 | REF | 1 | INSTRUCTION, Sensor, See Figure(s) 04-060-01 01 Ref. 797 |
| 28 | 151654A1 | 2 | ADAPTER, 3/4" NPT O-Ring x 3/4" NPT, , Include(s) 29 |
| 29 | 154503A1 | 1 | O-RING, |
| 31 | KRH11090 | 1 | HOSE ASSY., 1220 mm |
| 32 | KRH10330 | 1 | HOSE ASSY., 1350 mm |
| 33 | KBR0819 | 2 | SHEATH, FLEXIBLE, |
| 41 | KRH10200 | 2 | CLAMP, |
| 42 | KRH10210 | 1 | PLATE, |
| 43 | 166347A1 | 2 | BOLT, |
| 44 | MMA1011 | 1 | SEAL PROTECTION, |



CX210B CRAWLER EXCAVATOR - TIER III (EUROPE) (1/07-)

02-002-00(01) AIR FILTRATION

| Ref | Part Number | Qty | Description |
|-----|-------------|-----|----------------------------------|
| 1 | KRH10050 | 1 | FILTER ASSY., , Include(s) 2 - 7 |
| 2 | NSS | 1 | NOT SERVICED SEPARATELY, |
| 3 | KBH0921 | 1 | FILTER, AIR, |
| 4 | KBH0922 | 1 | FILTER, AIR, |
| 5 | KBH0923 | 1 | COVER ASSY, |
| 6 | KBH0924 | 1 | VALVE, |
| 7 | 165437A1 | 1 | CAP, |
| 8 | 166052A1 | 4 | BOLT, M10 x 25 |
| 9 | KRH1237 | 1 | ELBOW, |
| 10 | 157777A1 | 1 | HOSE, 400 mm |
| 11 | 165951A1 | 2 | CLAMP, |
| 12 | KRH1236 | 1 | SEAL, |
| 13 | 165818A1 | 1 | ELBOW, |
| 14 | KHH10330 | 1 | SENSOR, |
| 15 | KRH10500 | 1 | HOSE, LARGE, |
| 16 | 150545A1 | 1 | CLAMP, |
| 17 | 150902A1 | 1 | CLAMP, |
| 18 | KRH10980 | 1 | SUPPORT, |
| 19 | 152718A1 | 4 | BOLT, |
| 20 | KRH10490 | 1 | HOSE, LARGE, |
| 21 | 150902A1 | 1 | CLAMP, |
| 22 | 150736A1 | 1 | CLAMP, |



CX210B CRAWLER EXCAVATOR - TIER III (EUROPE) (1/07-)

02-003-00(01) EXHAUST

| Ref | Part Number | Qty | Description |
|-----|--------------|-----|-----------------------------------------------------|
| 1 | KRH10880 | 1 | MUFFLER, |
| 2 | KRH10160 | 1 | PIPE, EXHAUST SYSTEM, |
| 3 | 829-1408 | 8 | NUT, M8, CI 10, |
| 4 | KSH0951 | 1 | COLLAR ASSY., |
| 5 | KRH10930 | 1 | COVER, |
| 6 | 102R006A016N | 4 | BOLT, M6 x 16 |
| 7 | 182-006AN | 4 | WASHER, |
| 8 | 183-106AN | 4 | SPRING-DISC, |
| 9 | KRH10150 | 1 | SUPPORT, |
| 10 | 627-10035 | 3 | BOLT, Hex, M10 x 35, 10.9, Full Thd, M10 x 35; 10.9 |
| 11 | 150409A1 | 3 | WASHER, |
| 12 | KHH11400 | 2 | U-BOLT, |
| 13 | KHH11440 | 8 | NUT, M10 |
| 14 | 150657A1 | 1 | TUBE, 850 mm |
| 15 | 165952A1 | 1 | MOUNTING CLIP, |

CX210B CRAWLER EXCAVATOR - TIER III (EUROPE) (1/07-)

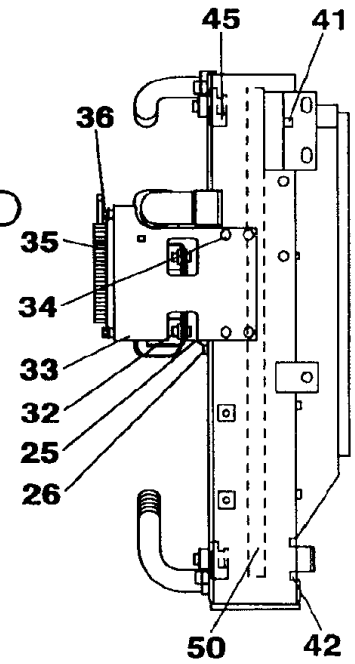
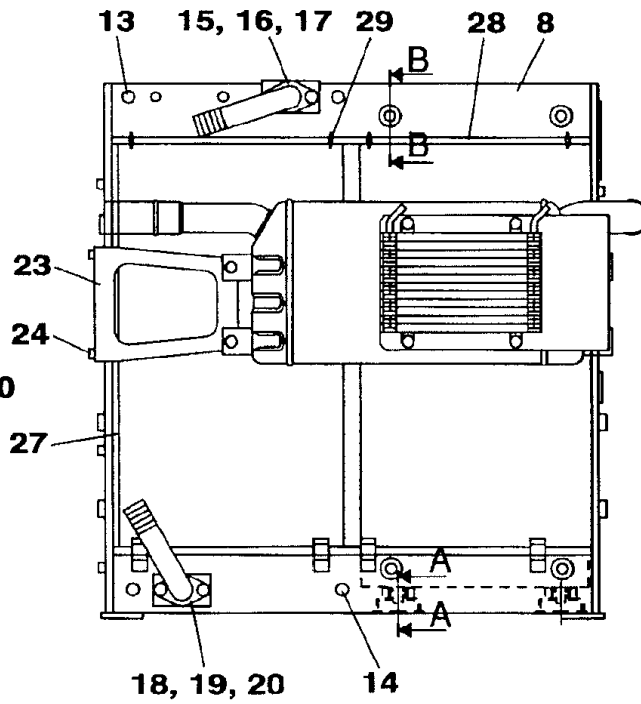
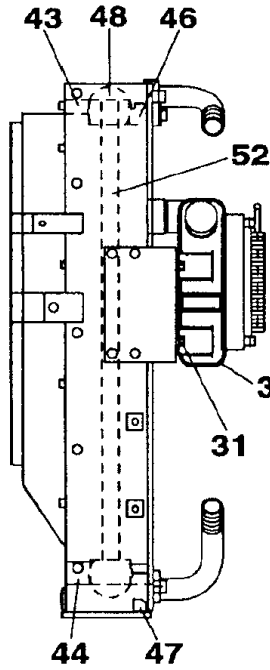
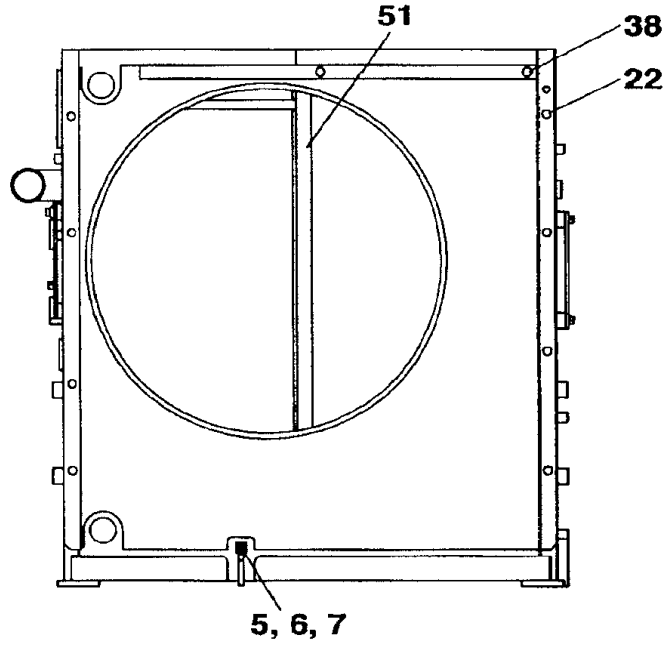
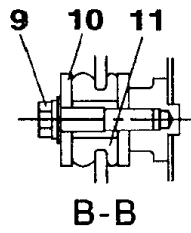
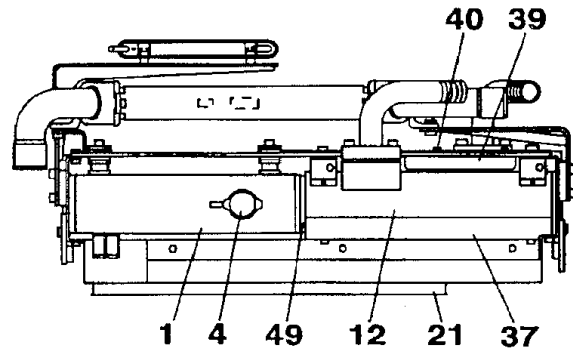
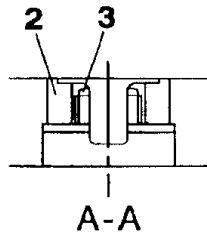
02-004-00(01) ENGINE WATER CIRCUIT

| Ref | Part Number | Qty | Description |
|-----|-------------|-----|-------------------------------------------------|
| 1 | KRH10810 | 1 | RADIATOR, , See Figure(s) 02-005-00 01 |
| 2 | 166373A1 | 4 | BOLT, M16 x 40 |
| 3 | KRH11070 | 1 | STAY, |
| 4 | KRH11080 | 1 | STAY, |
| 5 | 166373A1 | 4 | BOLT, M16 x 40 |
| 6 | KRH11110 | 1 | HOSE, LARGE, |
| 7 | KRH11100 | 1 | HOSE, LARGE, |
| 8 | 165794A1 | 4 | CLAMP, |
| 9 | KRH10460 | 2 | CLIP, HOSE, |
| 10 | KHJ1215 | 2 | SCREW, |
| 11 | KBH0935 | 1 | RUBBER BAND, |
| 12 | KBH0936 | 1 | BAND, |
| 13 | KRH1377 | 1 | SCREW, M5 x 100 |
| 14 | 895-11005 | 1 | WASHER, M5 x 10 x 1, |
| 15 | KHH10840 | 1 | RESERVOIR, COOLANT EXPNSN, , Include(s) 16 - 18 |
| 16 | 150026A1 | 1 | TANK, |
| 17 | 161740A1 | 1 | SWITCH, |
| 18 | KHH10860 | 1 | PLASTIC PLUG, |
| 19 | KRH1270 | 1 | HOLDER, |
| 20 | 166052A1 | 2 | BOLT, M10 x 25 |
| 21 | KHH0398 | 1 | HOSE, 650 mm |
| 22 | 165951A1 | 1 | CLAMP, |
| 23 | 150487A1 | 1 | HOSE, |
| 24 | 150401A1 | 1 | SLEEVE, 1000 mm |
| 25 | 165951A1 | 2 | CLAMP, |
| 26 | KHR2584 | 1 | CLAMP, M8 |
| 27 | KHJ1215 | 1 | SCREW, M8 x 25 |
| 28 | KHR10220 | 3 | MOUNTING CLIP, |
| 29 | 150496A1 | 3 | STRAP, 250 mm |
| 30 | KRH11040 | 1 | HOSE, LARGE, |
| 31 | 165793A1 | 1 | CLAMP, |
| 32 | 164967A1 | 1 | CLAMP, |
| 33 | KRH11030 | 1 | PIPE, SUCTION, |
| 34 | KRH10380 | 1 | SUPPORT, |
| 35 | KRH10390 | 1 | SUPPORT, |
| 36 | 152718A1 | 4 | BOLT, |
| 37 | KRH10290 | 1 | HOSE, LARGE, |
| 38 | 164967A1 | 2 | CLAMP, |
| 39 | KSH1065 | 1 | AIR FLEXIBLE, |
| 40 | 164967A1 | 2 | CLAMP, |
| 41 | KRH10320 | 1 | PIPE, SUCTION, |
| 42 | 152718A1 | 2 | BOLT, |
| 43 | KRH10300 | 1 | HOSE, LARGE, |
| 44 | KHH0411 | 2 | CLAMP, |
| 45 | KRH11140 | 1 | SUPPORT, |

CX210B CRAWLER EXCAVATOR - TIER III (EUROPE) (1/07-)

02-004-00(01) ENGINE WATER CIRCUIT

| Ref | Part Number | Qty | Description |
|-----|-------------|-----|---------------------------|
| 46 | 166345A1 | 4 | BOLT, M8 x 16 |
| 47 | KBH0929 | 1 | RUBBER, |
| 48 | KRH11150 | 1 | GASKET, |
| 49 | KHH0358 | 5 | RETAINER, |
| 50 | 895-11008 | 5 | WASHER, M8 x 16 x 1.6, |
| 51 | 827-8040 | 5 | BOLT, Hex, M8 x 40, 10.9, |
| 52 | KRH10960 | 1 | SUPPORT, |
| 53 | 166345A1 | 4 | BOLT, M8 x 16 |
| 54 | KRH10970 | 1 | SUPPORT, |
| 55 | 166345A1 | 3 | BOLT, M8 x 16 |
| 56 | KRH11120 | 1 | GASKET, |
| 57 | KHH0358 | 2 | RETAINER, |
| 58 | 895-11008 | 2 | WASHER, M8 x 16 x 1.6, |
| 59 | 827-8040 | 2 | BOLT, Hex, M8 x 40, 10.9, |
| 60 | KRH10450 | 1 | GASKET, |
| 61 | KRH10590 | 1 | GASKET, |
| 62 | 162468A1 | 1 | DECAL, |



CX210B CRAWLER EXCAVATOR - TIER III (EUROPE) (1/07-)

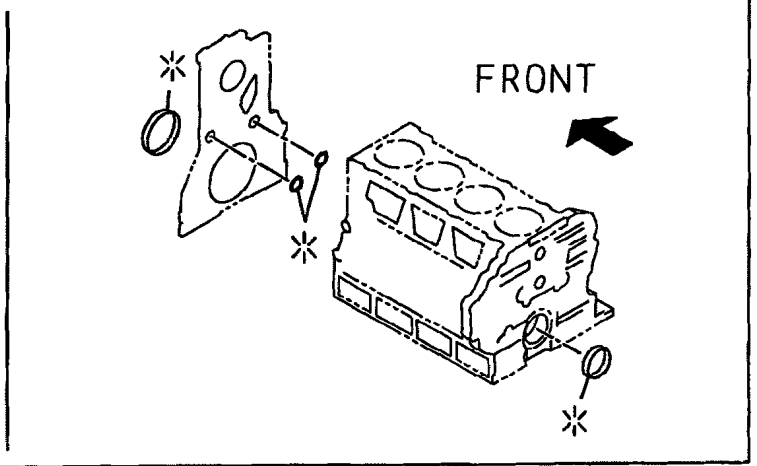
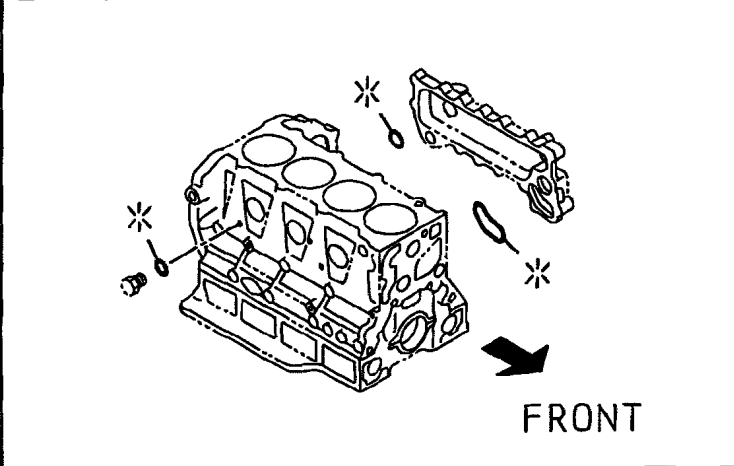
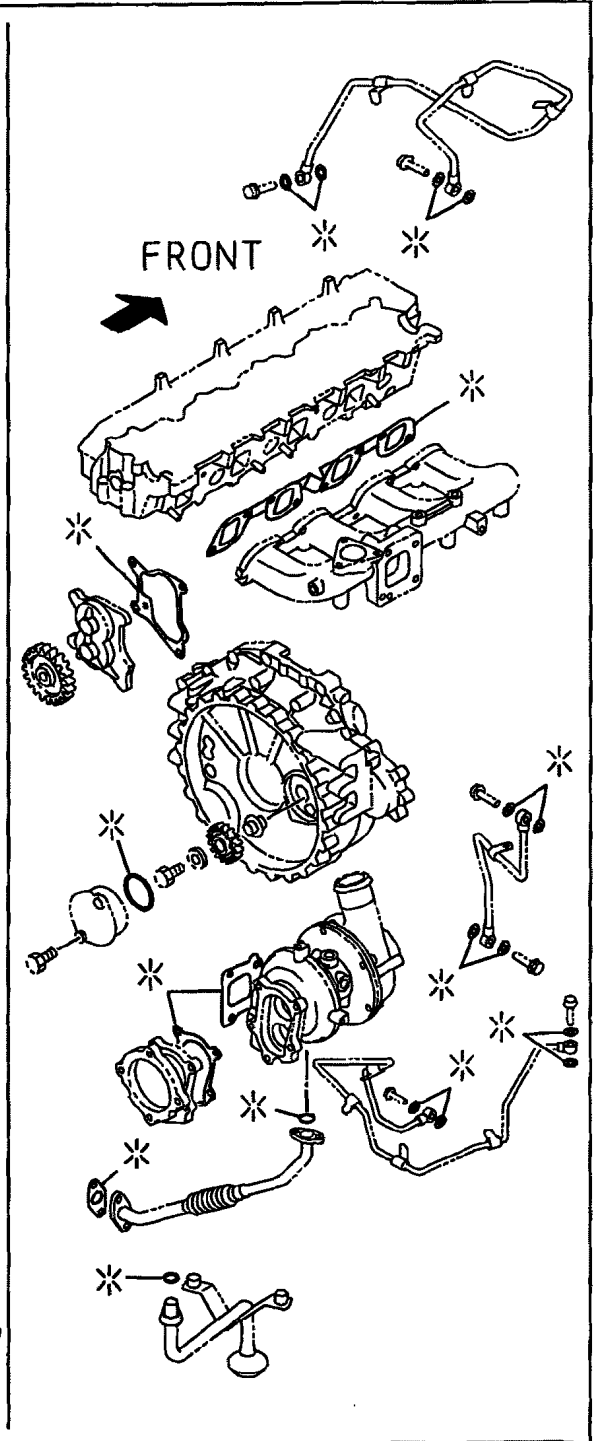
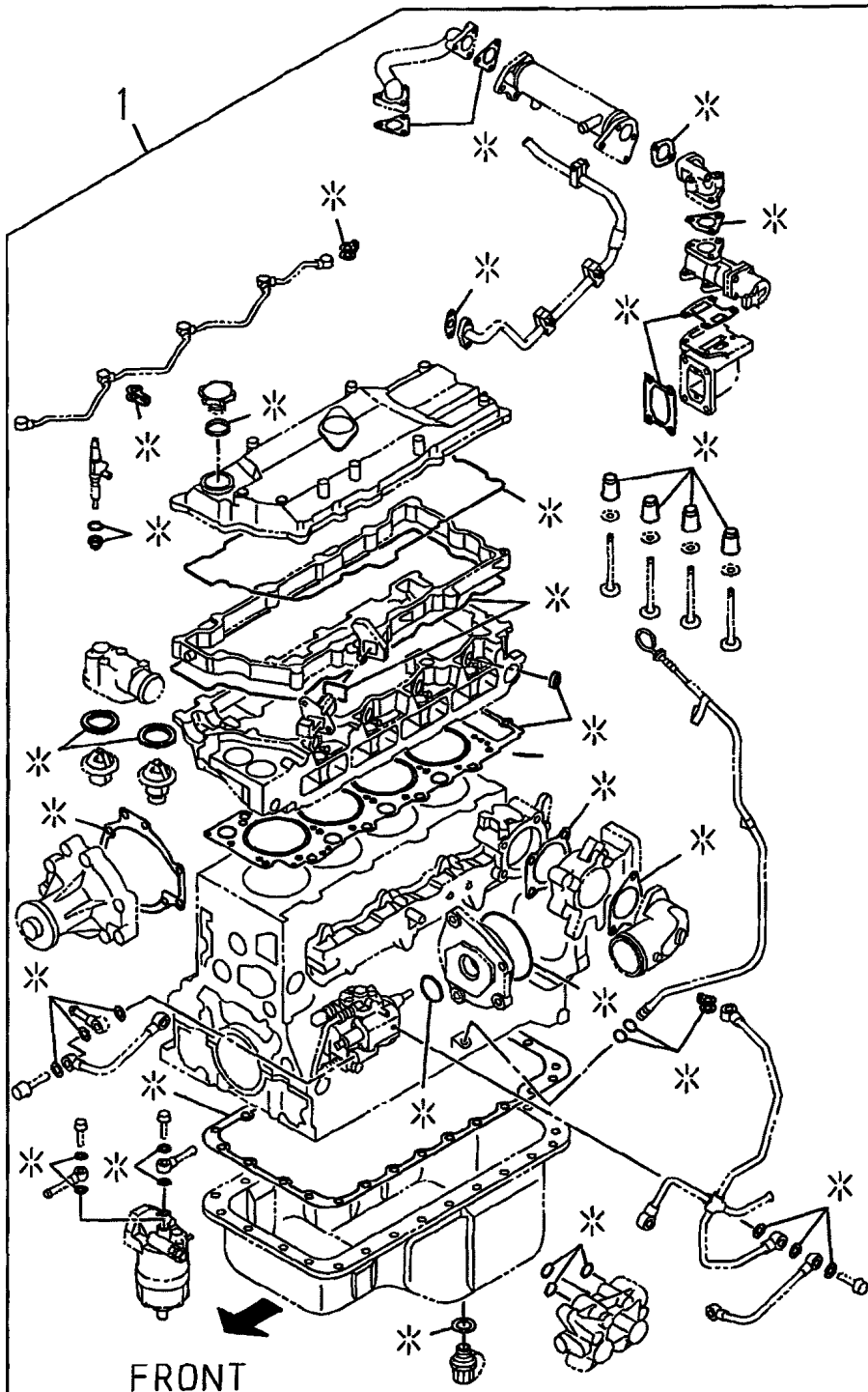
02-005-00(01) RADIATOR

| Ref | Part Number | Qty | Description |
|-----|-------------|-----|-------------------------------|
| 0 | KRH10810 | 1 | RADIATOR, , Include(s) 1 - 52 |
| 1 | LN001790 | 1 | RADIATOR, |
| 2 | LG005900 | 2 | STRIP-GASKET, |
| 3 | LG005620 | 2 | STRIP-GASKET, |
| 4 | TR00521 | 1 | CAP, RADIATOR, |
| 5 | 156602A1 | 1 | COCK, |
| 6 | LK005540 | 1 | PLUG, |
| 7 | LA00804 | 1 | CLIP, |
| 8 | LT001610 | 1 | FRAME, |
| 9 | LA010480 | 4 | BOLT, M10 x 50 |
| 10 | LA010490 | 8 | WASHER, |
| 11 | LG005630 | 4 | STRIP-GASKET, |
| 12 | LN001800 | 1 | COOLER, OIL, |
| 13 | LA00792 | 2 | SCREW, M12 x 35 |
| 14 | LA00792 | 2 | SCREW, M12 x 35 |
| 15 | LR014840 | 1 | PIPE, |
| 16 | LE013660 | 1 | O-RING, |
| 17 | LA010890 | 2 | BOLT, M12 x 45 |
| 18 | LR014850 | 1 | PIPE, |
| 19 | LE013660 | 1 | O-RING, |
| 20 | LA010890 | 2 | BOLT, M12 x 45 |
| 21 | LW005010 | 1 | SHROUD, |
| 22 | LA00677 | 8 | BOLT, |
| 23 | LS003210 | 1 | BRACKET, |
| 24 | LA00781 | 4 | SCREW, M12 x 25 |
| 25 | LS003220 | 1 | BRACKET, |
| 26 | LA00781 | 2 | SCREW, M12 x 25 |
| 27 | LG005970 | 1 | GRILLE, RADIATOR, |
| 28 | LG005980 | 1 | GRILLE, RADIATOR, |
| 29 | 156606A1 | 4 | BOLT, |
| 30 | LN001810 | 1 | INTERCOOLER, |
| 31 | LA00781 | 2 | SCREW, M12 x 25 |
| 32 | LA010500 | 2 | BOLT, M10 x 35 |
| 33 | LS003230 | 1 | BRACKET, |
| 34 | LA00781 | 4 | SCREW, M12 x 25 |
| 35 | LN001760 | 1 | COOLER, |
| 36 | LA00677 | 4 | BOLT, |
| 37 | LS003240 | 1 | BRACKET, |
| 38 | LA00677 | 2 | BOLT, |
| 39 | LS003250 | 1 | BRACKET, |
| 40 | LA00677 | 2 | BOLT, |
| 41 | LE013670 | 1 | SEAL PROTECTION, |
| 42 | LE013680 | 1 | SEAL PROTECTION, |
| 43 | LE013690 | 1 | SEAL PROTECTION, |
| 44 | LE013700 | 1 | SEAL PROTECTION, |

CX210B CRAWLER EXCAVATOR - TIER III (EUROPE) (1/07-)

02-005-00(01) RADIATOR

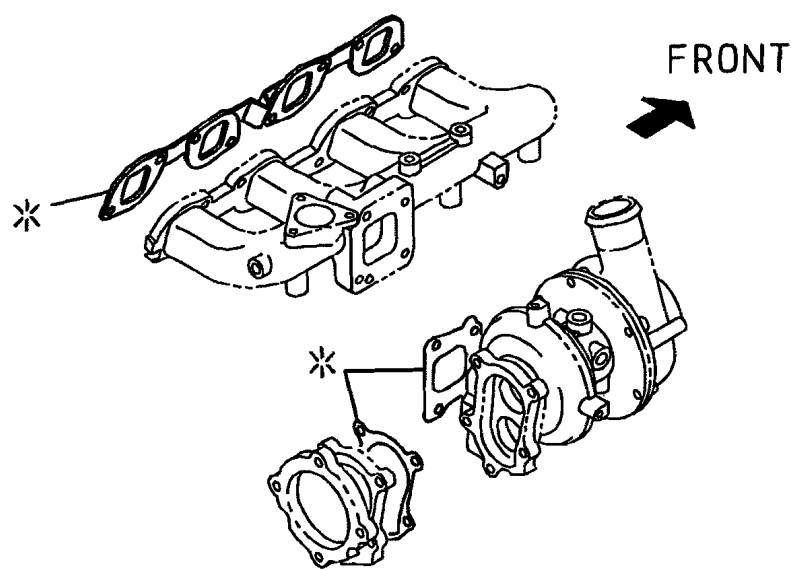
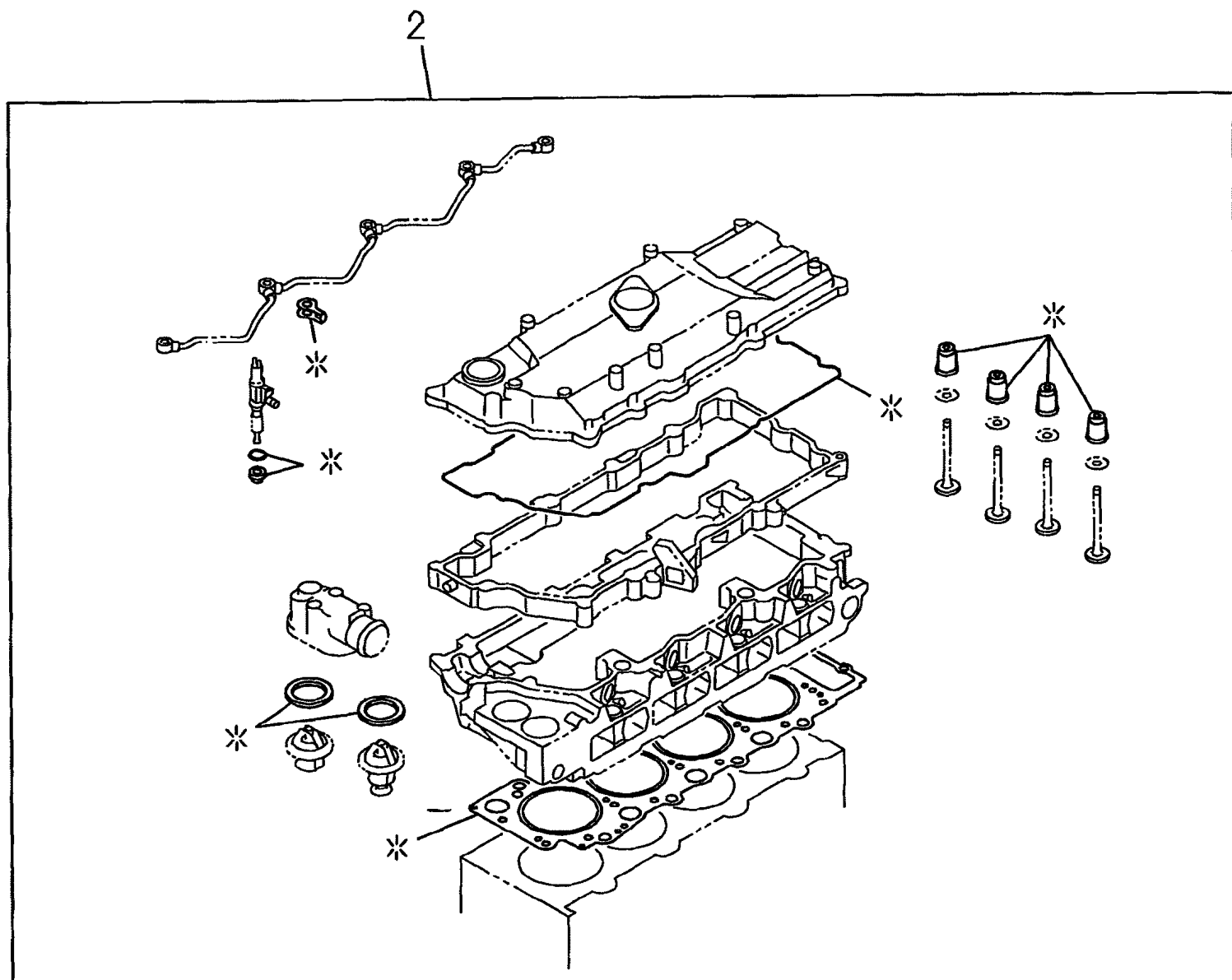
| Ref | Part Number | Qty | Description |
|-----|-------------|-----|------------------|
| 45 | LE013710 | 2 | SEAL PROTECTION, |
| 46 | LE013720 | 1 | SEAL PROTECTION, |
| 47 | LE013730 | 1 | SEAL PROTECTION, |
| 48 | LE013680 | 2 | SEAL PROTECTION, |
| 49 | LE013740 | 2 | SEAL PROTECTION, |
| 50 | LE013750 | 1 | SEAL PROTECTION, |
| 51 | LE013760 | 1 | SEAL PROTECTION, |
| 52 | LE013770 | 1 | SEAL PROTECTION, |



CX210B CRAWLER EXCAVATOR - TIER III (EUROPE) (1/07-)

02-005-01(01) PACKAGE SEALS - ENGINE

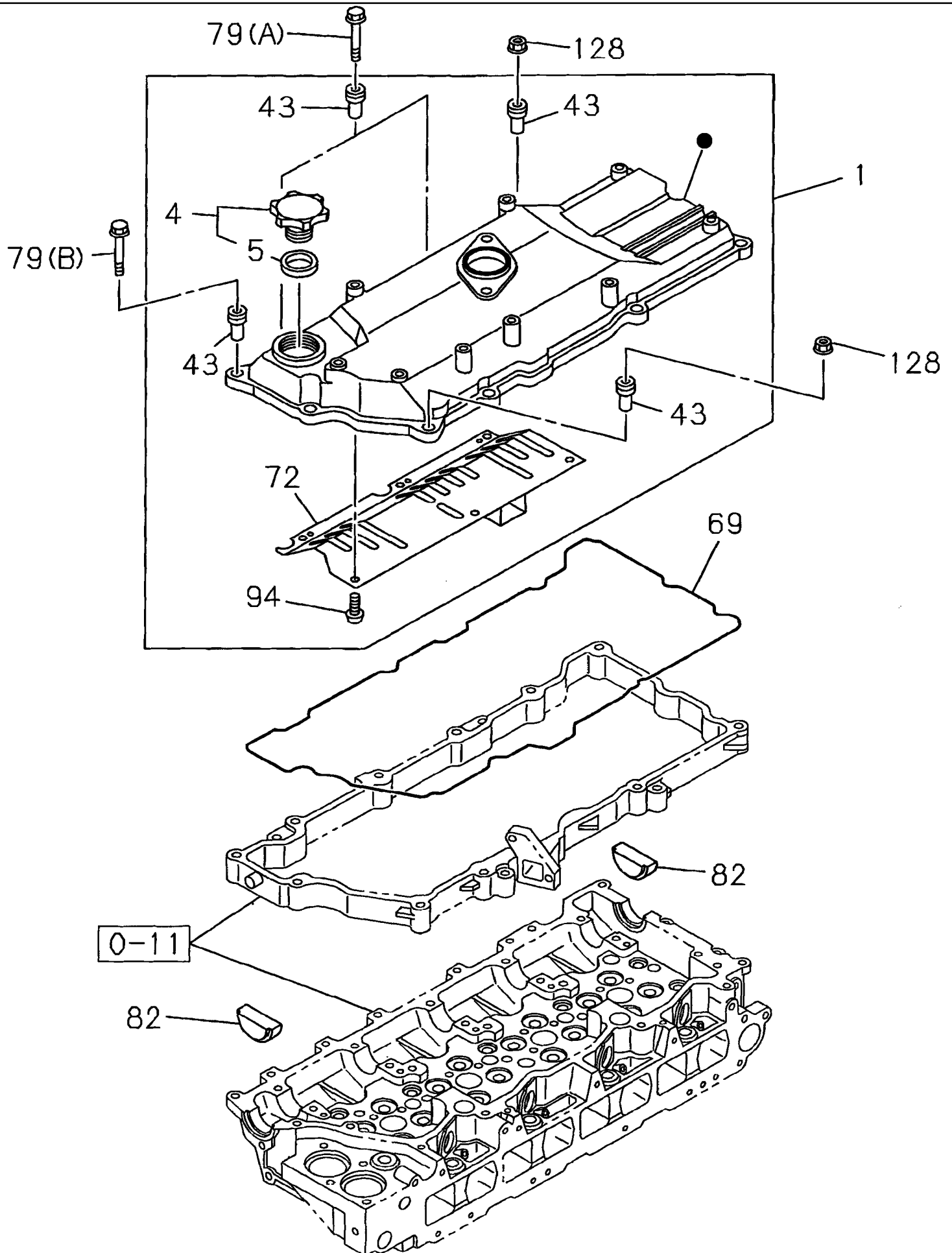
| Ref | Part Number | Qty | Description |
|-----|-------------|-----|-------------------------------|
| 1 | 87595208 | 1 | KIT, ENGINE OVERHAUL, T=1.475 |
| 1 | 87595212 | 1 | KIT, ENGINE OVERHAUL, T=1.525 |
| 1 | 87595214 | 1 | KIT, ENGINE OVERHAUL, T=1.575 |



CX210B CRAWLER EXCAVATOR - TIER III (EUROPE) (1/07-)

02-005-02(01) PACKAGE SEALS - ENGINE

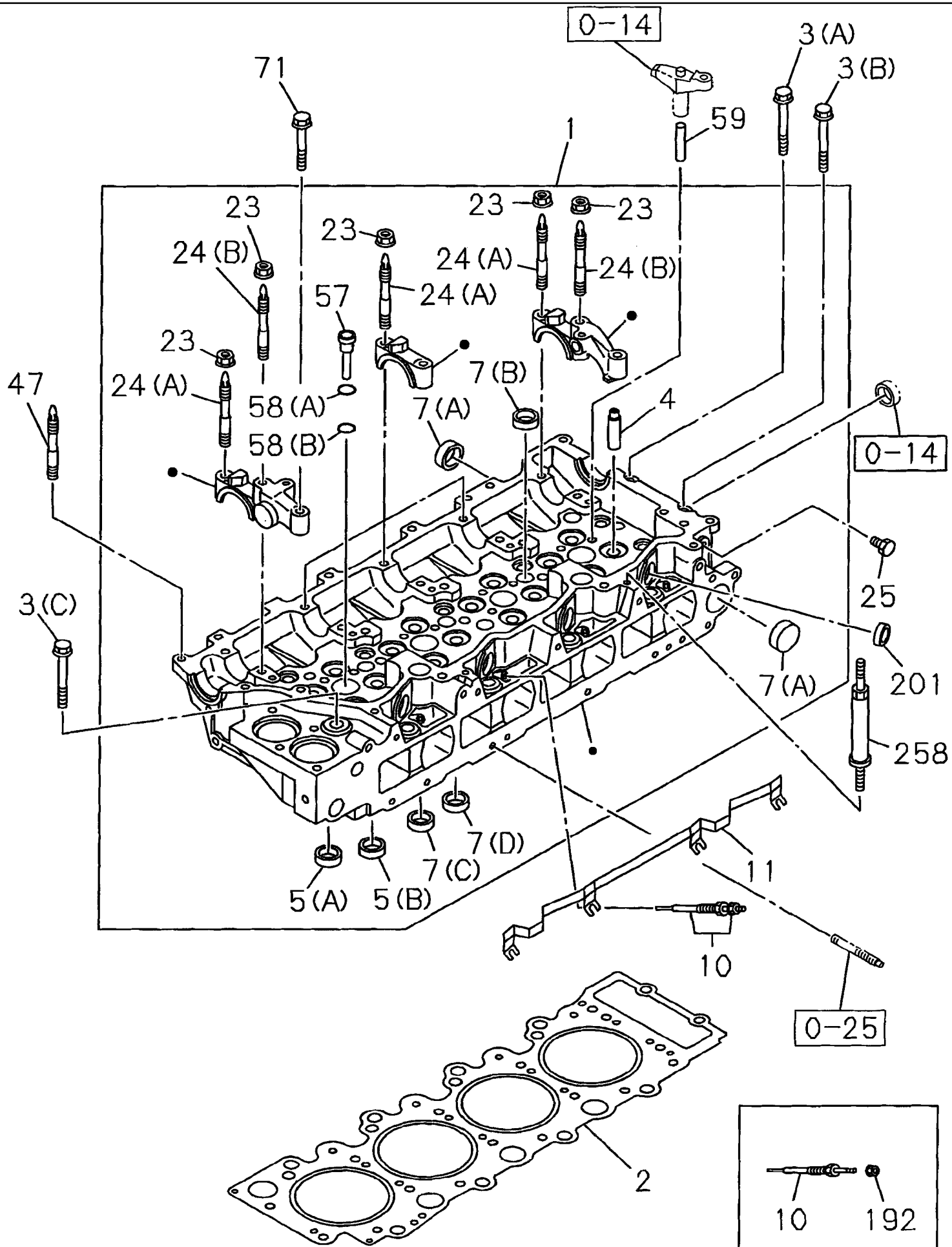
| Ref | Part Number | Qty | Description |
|-----|-------------|-----|-------------------------------|
| 2 | 87595215 | 1 | KIT, ENGINE OVERHAUL, T=1.475 |
| 2 | 87595240 | 1 | KIT, ENGINE OVERHAUL, T=1.525 |
| 2 | 87595241 | 1 | KIT, ENGINE OVERHAUL, T=1.575 |



CX210B CRAWLER EXCAVATOR - TIER III (EUROPE) (1/07-)

02-010-01(01) COVER - CYLINDER HEAD

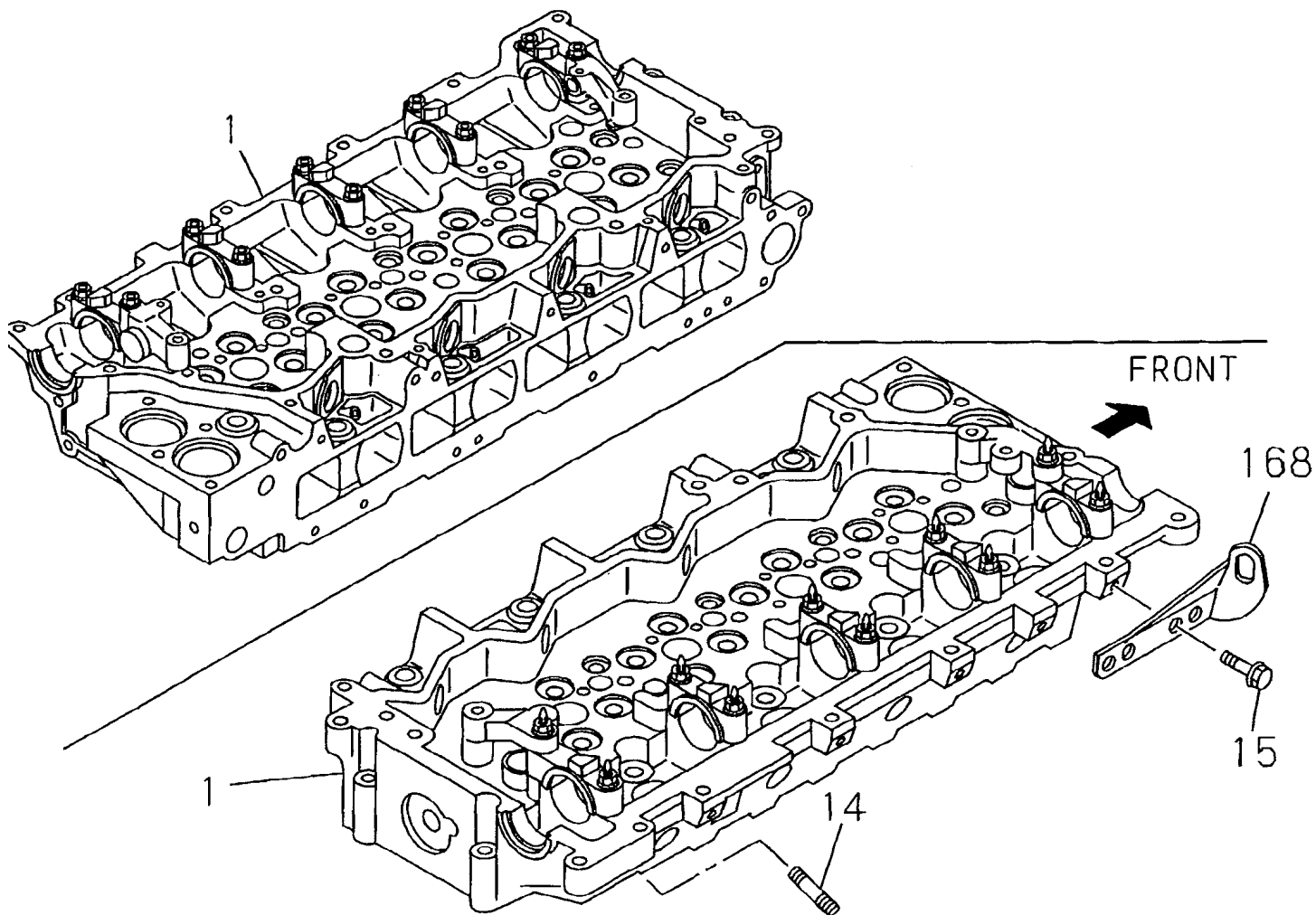
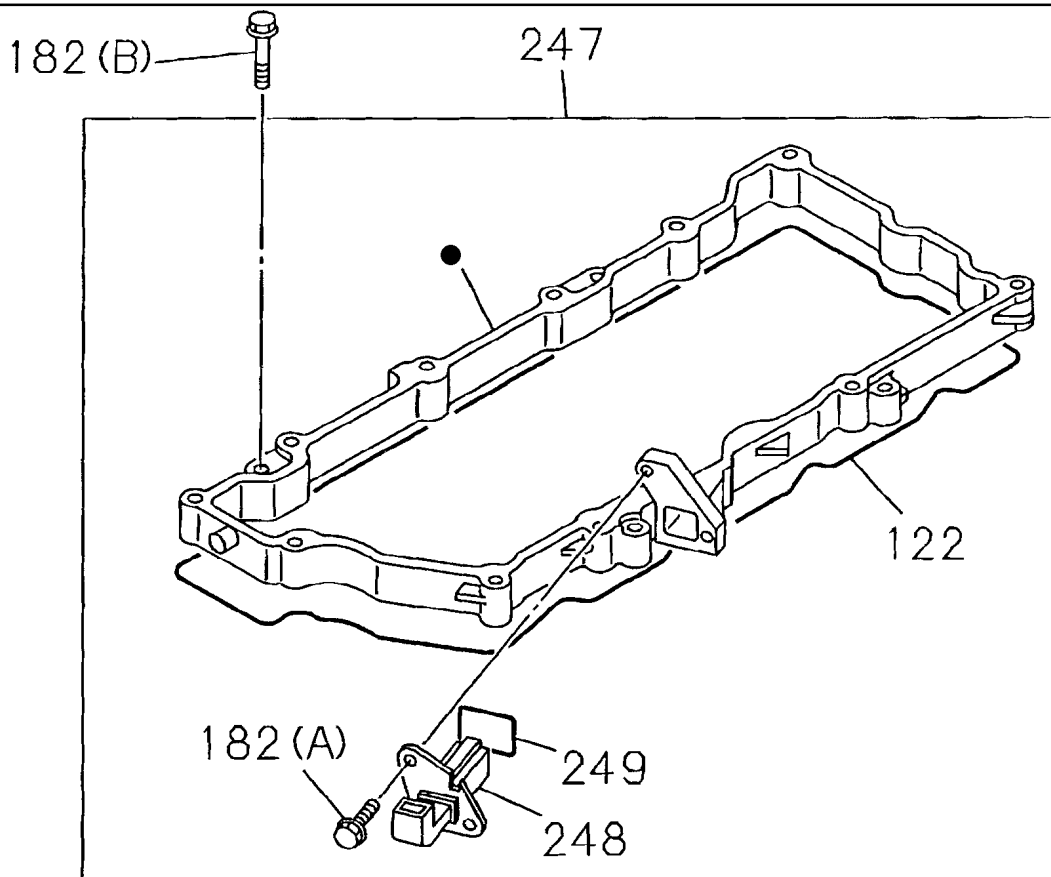
| Ref | Part Number | Qty | Description |
|------|-------------|-----|-------------------------------------------|
| 0-11 | REF | 1 | INSTRUCTION, , See Figure(s) 02-011-01 01 |
| 1 | 87595244 | 1 | COVER, VALVE, , Include(s) 4, 43, 72, 94 |
| 4 | 288798A1 | 1 | CAP, FILLER, , Include(s) 5 |
| 5 | 72109500 | 1 | SEAL, |
| 43 | 87384321 | 11 | SEAL, RUBBER, |
| 69 | 87595255 | 1 | GASKET, |
| 72 | 438070A1 | 1 | PLATE, |
| 79A | 87595258 | 2 | SCREW, |
| 79B | 87595261 | 7 | SCREW, |
| 82 | 72109530 | 2 | PLUG, |
| 94 | 87595263 | 6 | SCREW, |
| 128 | 87595271 | 2 | NUT, |



CX210B CRAWLER EXCAVATOR - TIER III (EUROPE) (1/07-)

02-011-01(01) CYLINDER HEAD

| Ref | Part Number | Qty | Description |
|------|-------------|-----|-------------------------------------------------------------------------------------------------------------|
| 0-14 | REF | 1 | INSTRUCTION, , See Figure(s) 02-014-01 01 |
| 0-25 | REF | 1 | INSTRUCTION, , See Figure(s) 02-025-01 01 |
| 1 | 87595278 | 1 | CYLINDER HEAD, , Include(s) 4, 5A, 5B, 7A - 7D, 23, 24A, 24B, 57, 58A, 58B, Also See Figure(s) 02-011-02 01 |
| 2A | 87595389 | 1 | GASKET, CYLINDER HEAD, |
| 2B | 87595395 | 1 | GASKET, CYLINDER HEAD, |
| 2C | 87595396 | 1 | GASKET, CYLINDER HEAD, |
| 3A | 438152A1 | 1 | SCREW, |
| 3B | 438153A1 | 1 | SCREW, |
| 3C | 87595398 | 18 | SCREW, |
| 4 | 438044A1 | 16 | GUIDE, |
| 5A | 72109510 | 8 | VALVE SEAT, |
| 5B | 72109512 | 8 | VALVE SEAT, |
| 7A | 87595408 | 5 | CUPEL, |
| 7B | 289076A1 | 4 | CUP, |
| 7C | 71455287 | 7 | PLUG, |
| 7D | 353962A1 | 5 | PLUG, |
| 10 | 438043A1 | 4 | PLUG, |
| 11 | 87595410 | 1 | CONNECTOR, ELEC, |
| 23 | 87595428 | 10 | NUT, |
| 24A | 438026A1 | 8 | STUD, |
| 24B | 438025A1 | 2 | STUD, |
| 25 | 87377930 | 1 | PLUG, |
| 47 | 87595430 | 2 | STUD, |
| 57 | 87528150 | 4 | HOLDER NOZZLE, |
| 58A | 87377928 | 4 | GASKET, |
| 58B | 87377929 | 4 | GASKET, |
| 59 | 87379448 | 8 | GUIDE, |
| 71 | 87595463 | 2 | SCREW, |
| 192 | 87595807 | 4 | NUT, |
| 201 | 437881A1 | 4 | GASKET, |
| 258 | 87595816 | 1 | ADAPTER, |



CX210B CRAWLER EXCAVATOR - TIER III (EUROPE) (1/07-)

02-011-02(01) CYLINDER HEAD

| Ref | Part Number | Qty | Description |
|------|-------------|-----|---------------------------------------------|
| 1 | 87595278 | 1 | CYLINDER HEAD, , See Figure(s) 02-011-01 01 |
| 14 | 438137A1 | 2 | STUD, |
| 15 | 87595411 | 2 | SCREW, |
| 122 | 87595470 | 1 | GASKET, |
| 168 | 87595472 | | HANGER, |
| 182A | 87595805 | 2 | SCREW, |
| 182B | 87595806 | 3 | SCREW, |
| 247 | 87595813 | 1 | CASE, , Include(s) 122, 182A, 248, 249 |
| 248 | 87380194 | 1 | FITTING, |
| 249 | 87379336 | 1 | GASKET, |



Suggest:

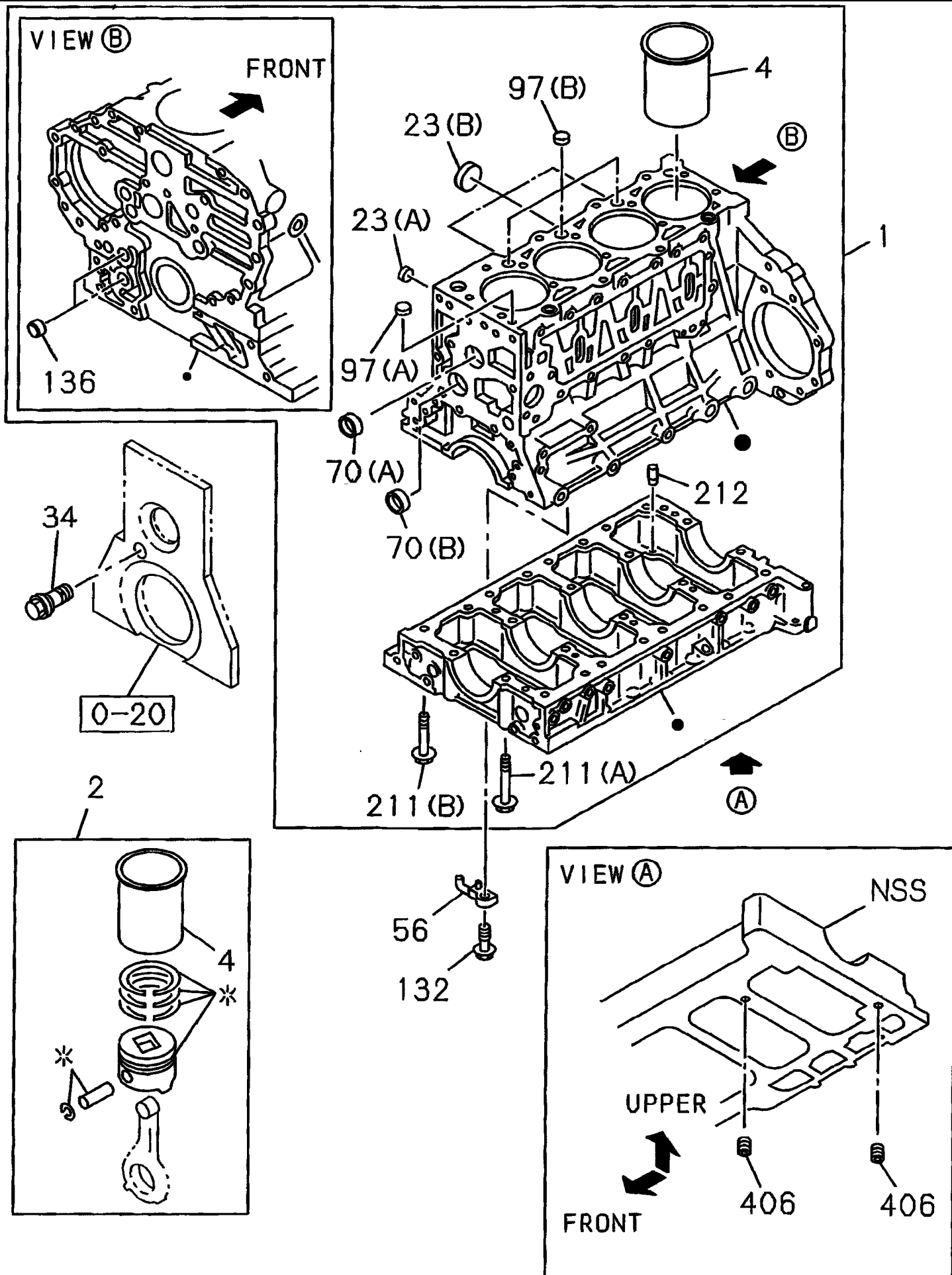
If the above button click is invalid.

Please download this document

first, and then click the above link

to download the complete manual.

Thank you so much for reading



<https://www.ebooklibonline.com>

Hello dear friend!

Thank you very much for reading.

Enter the link into your browser.

The full manual is available for immediate download.

<https://www.ebooklibonline.com>