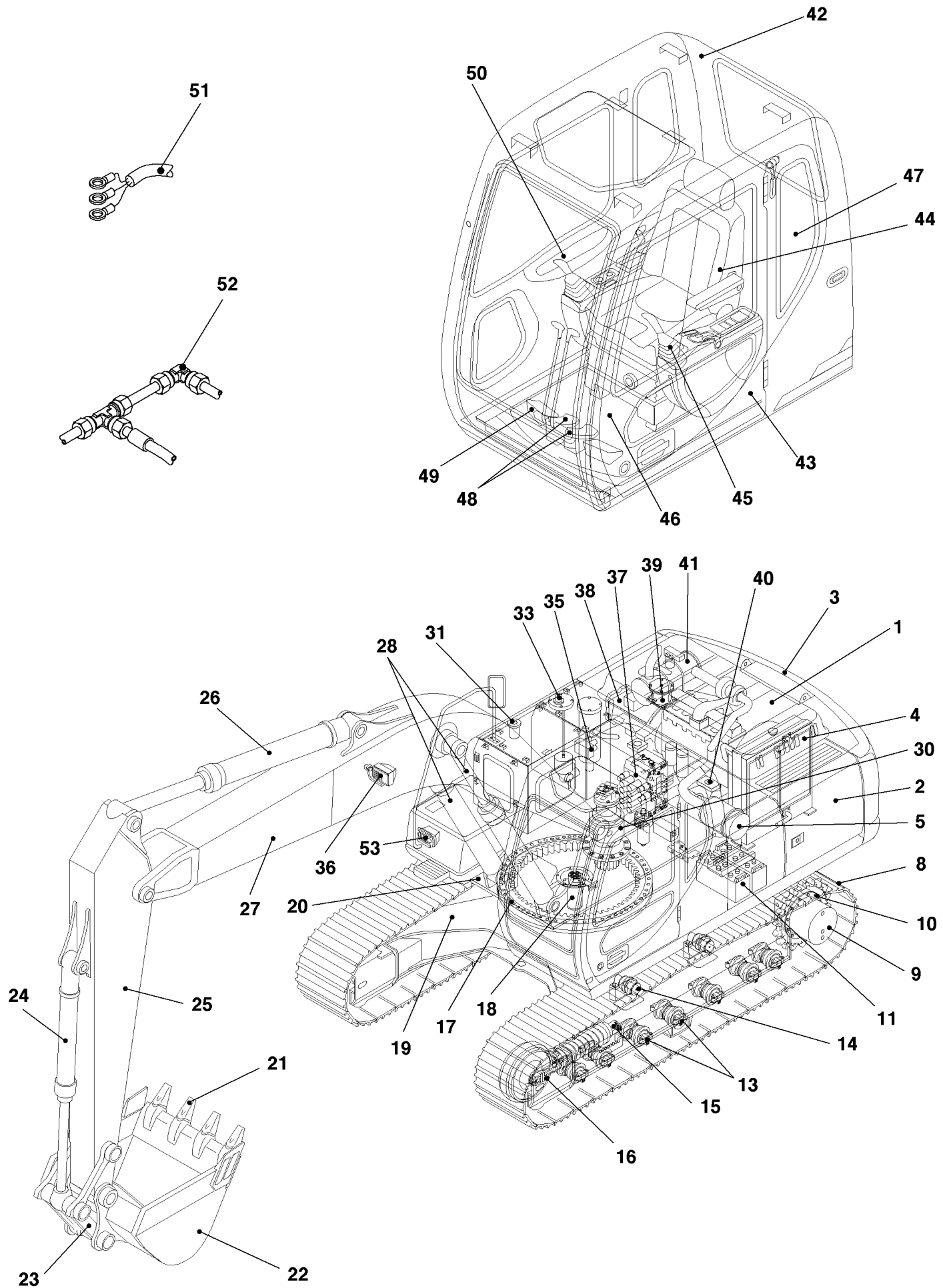




# PARTS CATALOGUE

CX210  
CASE CRAWLER EXCAVATOR



## CX210 CASE CRAWLER EXCAVATOR (EUROPE) (5/03- )

## 01-003-00(01) COMPONENT INDEX

Ref	Part Number	Qty	Description
1		1	ENGINE MOUNTING - ENGINE - See Page : 02-003-00
2		1	COWLING - See Pages : 09-007-00, 09-011-00 to 09-019-00, CX210 LC / CX210 LR
2		1	COWLING - See Pages : 09-007B-00, 09-011B-00 to 09-019B-00, CX210 NLC / CX230
3		1	COUNTERWEIGHT - See Page : 09-009-00, CX210 LC
3		1	COUNTERWEIGHT - See Page : 09-009B-00, CX210 NLC / CX230
3		1	COUNTERWEIGHT - See Page : 09-009D-00, CX210 LR
4		1	WATER CIRCUIT - See Page : 02-009-00, CX210 LC / CX210 LR
4		1	WATER CIRCUIT - See Page : 02-009B-00, CX210 NLC / CX230
5		1	AIR FILTRATION - See Page : 02-005-00, CX210 LC / CX210 LR
5		1	AIR FILTRATION - See Page : 02-005B-00, CX210 NLC / CX230
8		1	STEEL TRACK - See Page : 05-009-00, CX210 LC
8		1	STEEL TRACK - See Page : 05-011-00, CX210 NLC / CX230
8		1	STEEL TRACK - See Page : 05-011B-00, CX210 LR
9		1	TRAVEL MOTOR AND REDUCTION GEAR - See Page : 06-003-00
10		1	SPROCKET - See Page : 06-003-00
11		1	BATTERIES - See Page : 04-021-00
13		1	ROLLER LOWER - See Page : 05-019-00
14		1	ROLLER UPPER - See Page : 05-017-00
15		1	TENSION DAMPER - See Page : 05-015-00
16		1	GUIDE PULLEY - See Page : 05-013-00
17		1	SWING COMPONENTS - See Page : 09-003-00, CX210 LC / CX210 LR
17		1	SWING COMPONENTS - See Page : 09-003B-00, CX210 NLC / CX230
18		1	SWING JOINT - See Page : 07-013-00
19		1	UNDERCARRIAGE - See Page : 05-003-00, CX210 LC / CX210 LR
19		1	UNDERCARRIAGE - See Page : 05-003B-00, CX210 NLC / CX230
20		1	UPPERSTRUCTURE CHASSIS - See Page : 09-005-00, CX210 LC / CX210 LR
20		1	UPPERSTRUCTURE CHASSIS - See Page : 09-005B-00, CX210 NLC / CX230
21		1	TOOTH TIPS - See Page : 09-101-00, CX210 LC / CX210 NLC / CX230
21		1	TOOTH TIPS - See Page : 09-101B-00, CX210 LR
22		1	BUCKET - See Pages : 09-087-00, 09-093F-00, 09-095-00, 09-099-00, CX210 LC / CX210 NLC / CX230
22		1	BUCKET - See Pages : 09-093B-00, 09-093D-00, 09-097B-00, 09-097D-00, 09-099B-00, CX210 LR
23		1	BUCKET CONTROL - See Page : 09-085-00, CX210 LC / CX210 NLC / CX230
23		1	BUCKET CONTROL - See Page : 09-085B-00, CX210 LR
24		1	BUCKET CYLINDER - See Page : 09-083-00, CX210 LC / CX210 NLC / CX230
24		1	BUCKET CYLINDER - See Page : 09-083B-00, CX210 LR
25		1	DIPPER - See Pages : 09-075B-00 to 09-079-00, CX210 LC / CX210 NLC / CX230
25		1	DIPPER - See Page : 09-079B-00, CX210 LR
26		1	DIPPER CYLINDER - See Page : 09-081-00, CX210 LC / CX210 NLC / CX230
26		1	DIPPER CYLINDER - See Page : 09-081B-00, CX210 LR
27		1	MONOBLOCK BOOM - See Page : 09-071-00, CX210 LC / CX210 NLC / CX230
27		1	MONOBLOCK BOOM - See Page : 09-073F-00, CX210 LR
27		1	OFFSET BACKHOE BOOM - See Page : 09-073B-00
28		1	BOOM CYLINDER - See Page : 09-075-00
30		1	SWING MOTOR-DRIVE REDUCTION GEAR - See Pages : 06-007-00, 06-009-00

**<https://www.ebooklibonline.com>**

Hello dear friend!

Thank you very much for reading.

Enter the link into your browser.

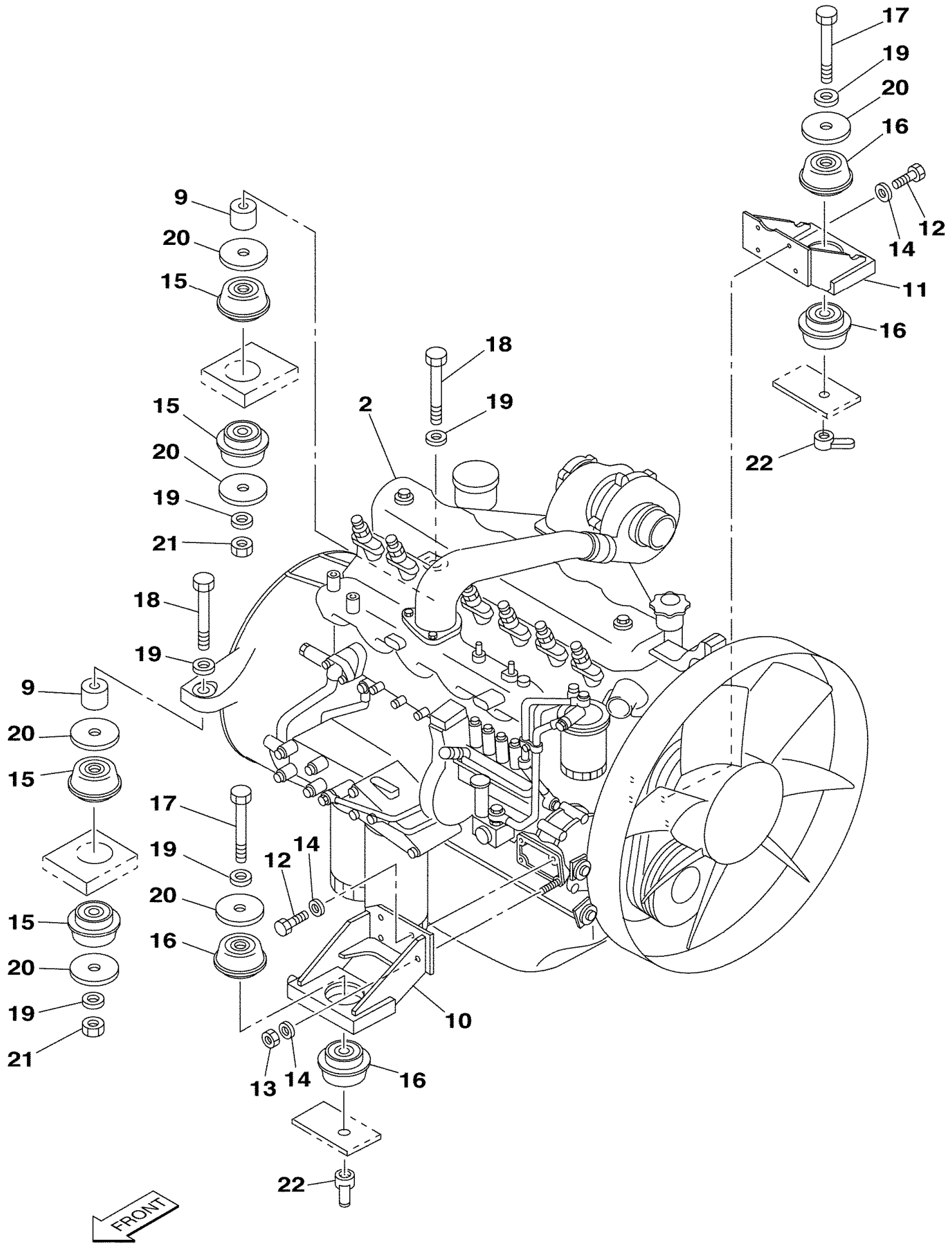
The full manual is available for immediate download.

**<https://www.ebooklibonline.com>**

## CX210 CASE CRAWLER EXCAVATOR (EUROPE) (5/03- )

## 01-003-00(01) COMPONENT INDEX

Ref	Part Number	Qty	Description
31		1	FUEL TANK - See Page : 03-003-00, CX210 LC / CX210 LR
31		1	FUEL TANK - See Page : 03-003B-00, CX210 NLC / CX230
33		1	HYDRAULIC RESERVOIR - See Page : 08-003-00, CX210 LC / CX210 LR
33		1	HYDRAULIC RESERVOIR - See Page : 08-003B-00, CX210 NLC / CX230
35		1	VALVE SOLENOIDE - See Page : 08-045-00, CX210 LC / CX210 LR
35		1	VALVE SOLENOIDE - See Page : 08-049B-00, CX210 NLC / CX230
36		1	LAMP, WORK - See Page : 04-017-00
37		1	CONTROL VALVE - See Pages : 08-077-00, 08-077D-00, CX210 LC / CX210 NLC / CX230
37		1	CONTROL VALVE - See Pages : 08-077B-00, 08-077D-00, CX210 LR
38		1	HYDRAULIC PUMP - COUPLING - See Pages : 08-005-00, 08-005B-00
39		1	OIL FILTER - See Page : 08-013-00
40		1	TANK, EXPANSION - See Page : 02-009-00, CX210 LC / CX210 LR
40		1	TANK, EXPANSION - See Page : 02-009B-00, CX210 NLC / CX230
41		1	EXHAUST - See Page : 02-007-00
42		1	CAB - See Pages : 09-057-00 to 09-065-00
43		1	CAB DOOR - See Page : 09-067-00
44		1	SEAT - See Page : 09-033-00
45		1	HAND CONTROL VALVE - See Page : 09-023-00
46		1	MAT, FLOOR - OPERATORS COMPARTMENT - See Pages : 09-021-00, 09-033-00
47		1	HEATING CIRCUIT- See Pages : 09-043B-00, 09-043F-00, CX210 LC / CX210 LR
47		1	HEATING CIRCUIT- See Pages : 09-043D-00, 09-043F-00, CX210 NLC / CX230
47		1	AIR CONDITIONING - See Pages : 09-045-00, 09-053-00, CX210 LC / CX210 LR
47		1	AIR CONDITIONING - See Pages : 09-045-00, 09-053B-00, CX210 NLC / CX230
48		1	TRAVEL CONTROL - See Page : 09-025-00
49		1	OPTION CONTROL - See Pages : 09-027-00 to 09-027D-00
50		1	SIDE INSTRUMENT PANEL - See Page : 04-023-00
51		1	ELECTRICAL CIRCUIT - See Pages : 04-003-00, 04-009-00 to 04-013-00, CX210 LC / CX210 LR
51		1	ELECTRICAL CIRCUIT - See Pages : 04-007B-00 to 04-013-00, CX210 NLC / CX230
52		1	HYDRAULIC CIRCUIT - See Page : 07-003-00, CX210 LC / CX210 LR, Undercarriage
52		1	HYDRAULIC CIRCUIT - See Page : 07-003B-00, Undercarriage, CX210 NLC / CX230
52		1	HYDRAULIC CIRCUIT - See Pages : 08-007-00 to 08-019-00, 08-031-00 to 08-059H-00, CX210 LC / CX210 LR, Upperstructure chassis
52		1	HYDRAULIC CIRCUIT - See Pages : 08-007B-00 to 08-019B-00, 08-031-00 to 08-059H-00, Upperstructure chassis, CX210 NLC / CX230
52		1	HYDRAULIC CIRCUIT - See Pages : 08-021-00 to 08-029J-00, 08-059J-00 to 08-061H-00, 08-113-00 to 08-117-00, Attachments, CX210 LC / CX210 NLC / CX230
52		1	HYDRAULIC CIRCUIT - See Pages : 08-021-00 to 08-023-00, 08-025B-00 to 08-025F-00, 08-029L-00, 08-029N-00, CX210 LR, Attachments
53		1	LAMP, HEAD - See Page : 04-017-00

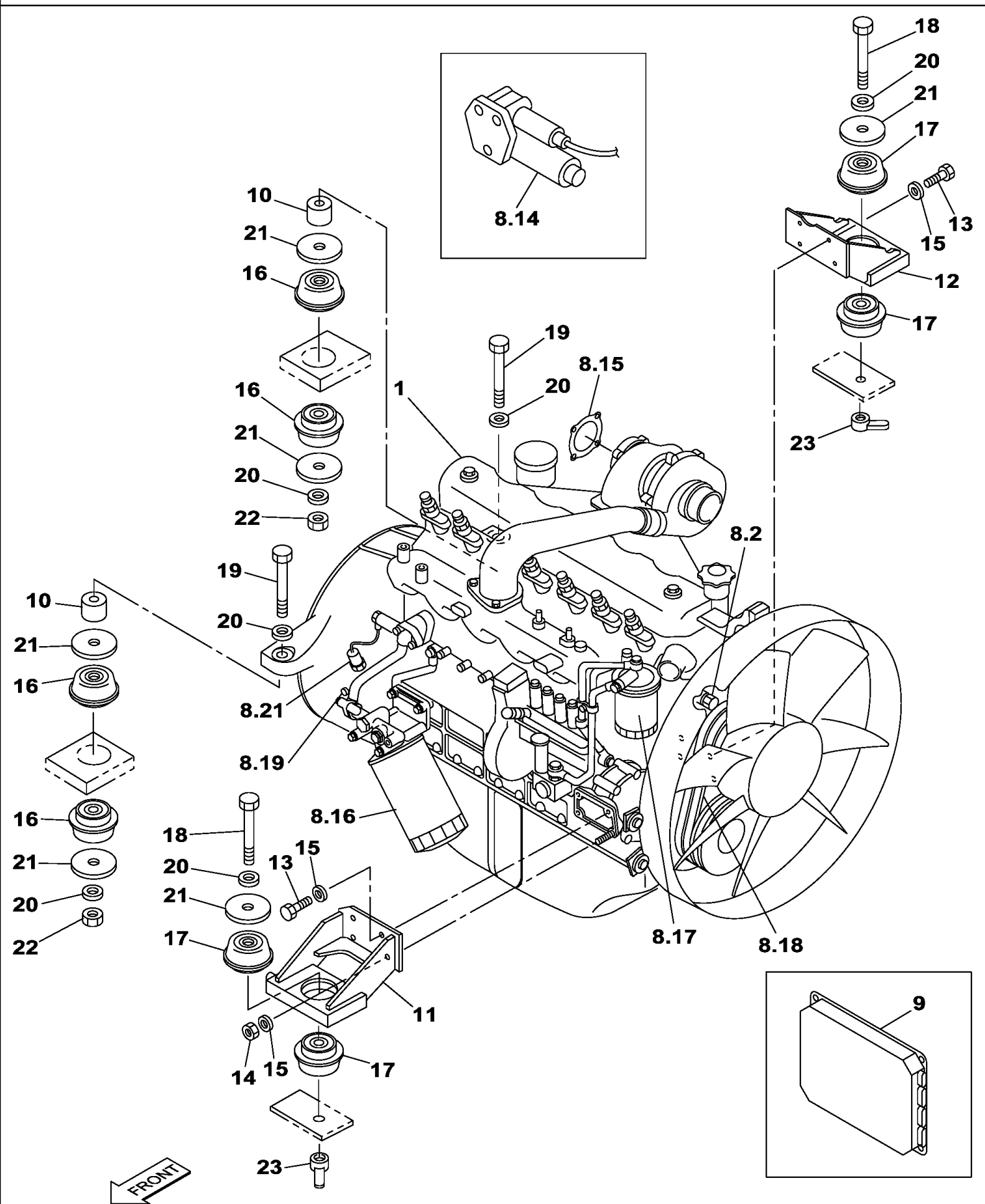


## CX210 CASE CRAWLER EXCAVATOR (EUROPE) (5/03- )

## 02-003-00(01) ENGINE MOUNTING - ENGINE

Ref	Part Number	Qty	Description
2	KRH1389	1	ENGINE ASSY, , CX210 LC DCH21B0101 And After / CX210 LR DCH21B0101 And After - See Page(s) 02-015-00-01 To 02-045-00-01, 03-009-00-01 To 03-025-00-01, 04-027-00-01, 04-029-00-01, 04-037-00-01 To 04-043-00-01
2	KRH1473	1	MOTOR, , CX210 NLC Until DCH21N0387 - See Page(s) 02-015-00-01 To 02-045-00-01, 03-009-00-01 To 03-025-00-01, 04-027-00-01, 04-029-00-01, 04-037-00-01 To 04-043-00-01
9	167984A1	2	SPACER,
10	KRH1341	1	SUPPORT,
11	KHH0485	1	SUPPORT,
12	159657A1	7	BOLT, M10 x 20; 10.9
13	153604A1	1	NUT,
14	150409A1	8	WASHER, 10,5 x 21 x 3,2 mm
15	KRH1225	4	RUBBER BLOCK,
16	KRH1226	4	RUBBER BLOCK,
17	827-16140	2	BOLT, Hex, M16 x 140, 10.9, M16 x 140
18	828-16210	2	BOLT, Hex, M16 x 210, 10.9, M16 x 210
19	150814A1	6	WASHER,
20	KRH1256	6	PLATE,
21	829-1416	2	NUT, M16, CI 10, M16; 10
22	KRH1251	2	NUT, M16

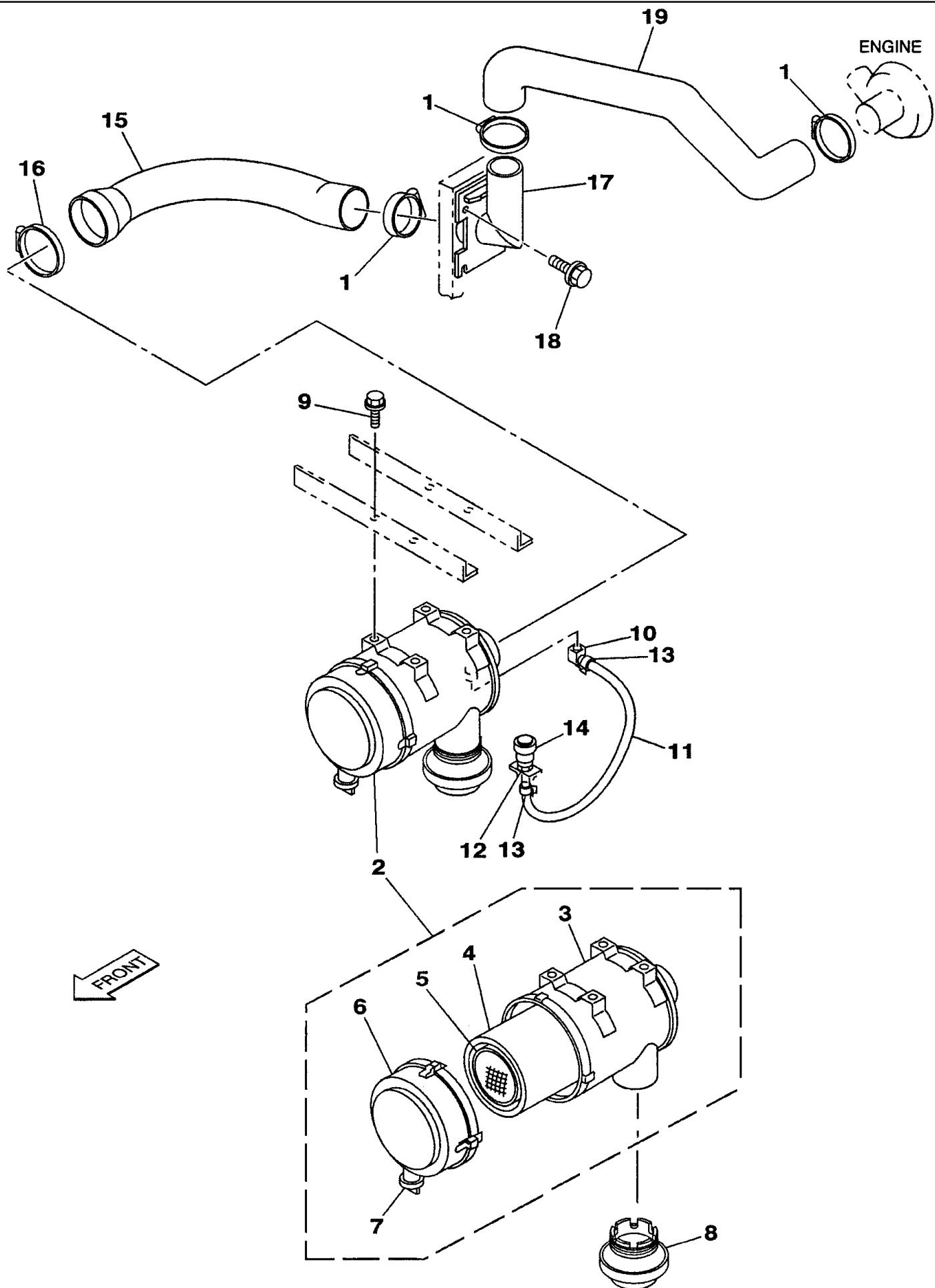
CX210 LC / CX210 LR Until DCH21B2067 / CX210 NLC Until DCH21N0387



## CX210 CASE CRAWLER EXCAVATOR (EUROPE) (5/03- )

## 02-003-00(02) ENGINE MOUNTING - ENGINE

Ref	Part Number	Qty	Description
2	KHR1642	1	Engine, Consists Of Ref. Numbers 8.14 To 9, Also Pages 02-015-00 01 To 02-045-00 01, 03-009-00 01 To 03-027-00 01, 04-027-00 01, 04-029-00 01, 04-037-00 01 To 04-045-00-01
8.14	REF	1	INSTRUCTION, Motor, See Page(s) 04-029-00 01 Ref. 1
8.15	REF	1	INSTRUCTION, Gasket, See Page(s) 02-007-00 01 Ref. 12
8.16	REF	1	INSTRUCTION, Oil Filter, See Page(s) 02-029-01 01 Ref.2
8.17	REF	1	INSTRUCTION, Fuel Filter, See Page(s) 03-011-00 01 Ref. 5
8.18	REF	1	INSTRUCTION, Belt, See Page(s) 02-015-00 01 Ref. 7
8.19	REF	1	INSTRUCTION, Sensor, Temperature , See Page(s) 04-027-00 01 Ref. 7
8.2	REF	1	INSTRUCTION, Sensor, Water Temperature, See Page(s) 04-027-00 01 Ref. 16
8.21	REF	1	INSTRUCTION, Switch, Oil Pressure, See Page(s) 04-027-00 01 Ref. 6
9	REF	1	INSTRUCTION, Controler, See Page(s) 04-027-00 01 Ref. 14
10	167984A1	2	SPACER,
11	KRH1341	1	SUPPORT,
12	KHH0485	1	SUPPORT,
13	159657A1	7	BOLT, M10 x 20; 10.9
14	153604A1	1	NUT,
15	150409A1	8	WASHER, 10,5 x 21 x 3,2 mm
16	KRH1225	4	RUBBER BLOCK,
17	KRH1226	4	RUBBER BLOCK,
18	827-16140	2	BOLT, Hex, M16 x 140, 10.9, M16 x 140
19	828-16210	2	BOLT, Hex, M16 x 210, 10.9, M16 x 210
20	150814A1	6	WASHER,
21	KRH1256	6	PLATE,
22	829-1416	2	NUT, M16, CI 10, M16; 10
23	KRH1251	2	NUT, M16

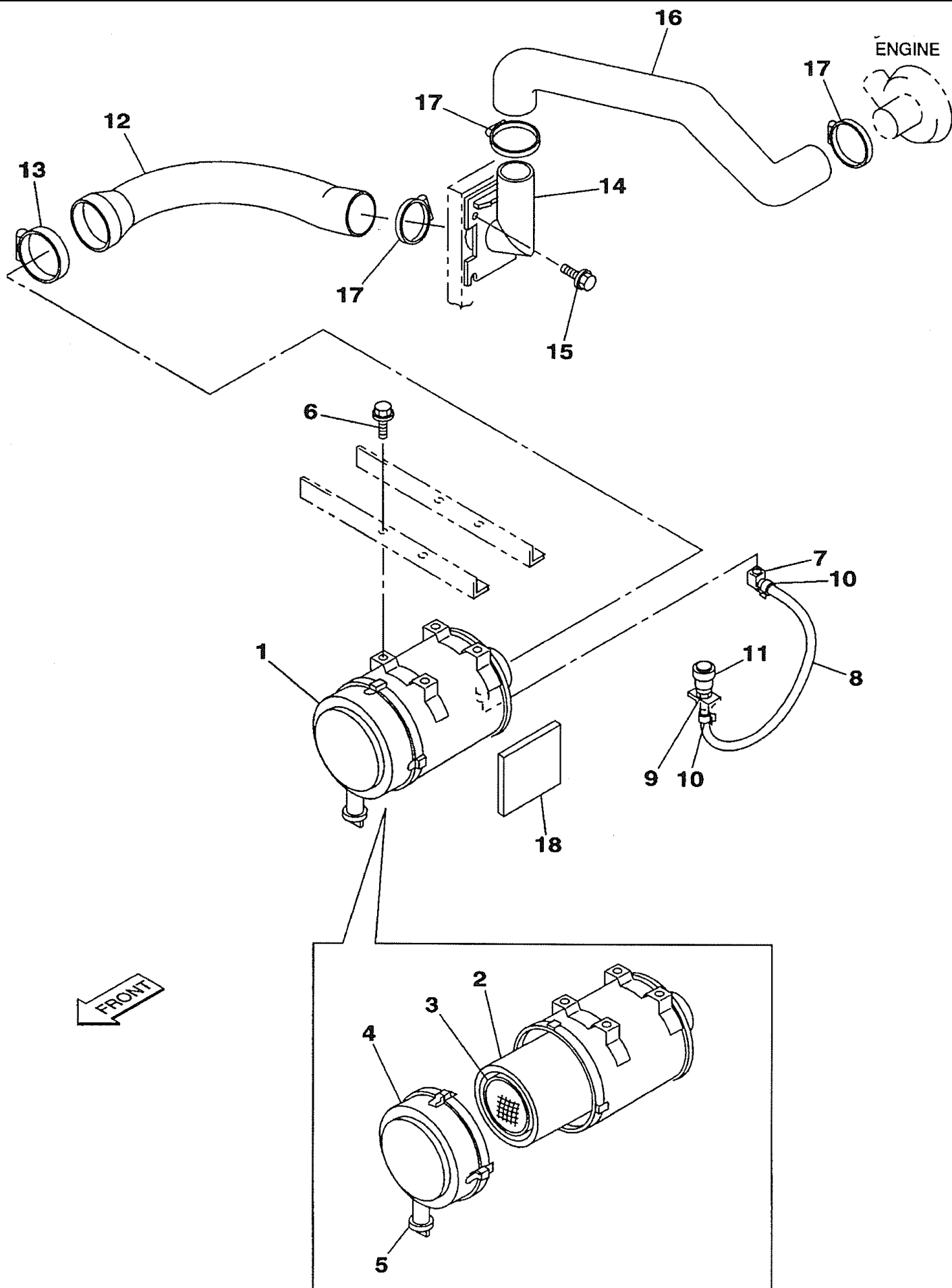


## CX210 CASE CRAWLER EXCAVATOR (EUROPE) (5/03- )

## 02-005-00(01) AIR FILTRATION

Ref	Part Number	Qty	Description
1	150902A1	3	CLAMP,
2	KRH1319	1	AIR CLEANER, , Consists Of Ref. Numbers 3 To 7
3	KRH1248	1	BODY,
4	KRH0652	1	FILTER, AIR,
5	KRH1320	1	FILTER, AIR,
6	KRH1249	1	COVER,
7	KRH1250	1	VALVE,
8	165437A1	1	CAP,
9	166052A1	4	BOLT,
10	KRH1237	1	ELBOW,
11	157779A1	1	HOSE,
12	KRH1236	1	SEAL,
13	165951A1	2	CLAMP,
14	KSH0050	1	INDICATOR,
15	KRH1294	1	HOSE, LARGE,
16	150545A1	1	CLAMP,
17	KRH1295	1	BRACKET,
18	152718A1	4	BOLT,
19	KRH1293	1	HOSE, LARGE,

CX210 LC DCH21B0101 To DCH21B0857 / CX210 LR DCH21B0101 And After

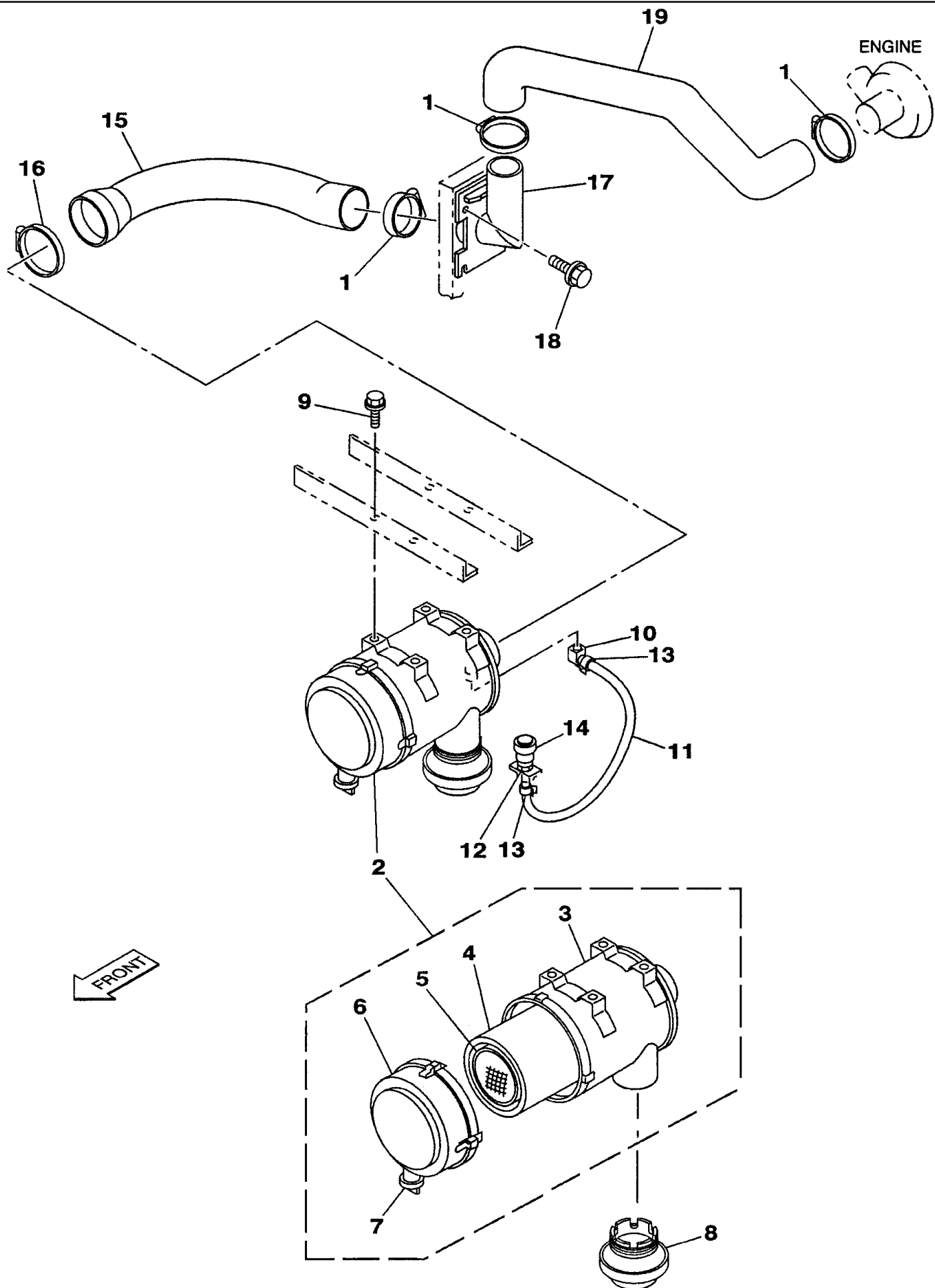


## CX210 CASE CRAWLER EXCAVATOR (EUROPE) (5/03- )

## 02-005-00(02) AIR FILTRATION

Ref	Part Number	Qty	Description
1	KRH1569	1	FILTER, AIR, , Consists Of Ref. Numbers 2 To 5
2	KBH0921	1	FILTER, AIR,
3	KBH0922	1	FILTER, AIR,
4	KBH0923	1	COVER ASSY,
5	KBH0924	1	VALVE,
6	166052A1	4	BOLT,
7	KRH1237	1	ELBOW,
8	157778A1	1	HOSE,
9	KRH1236	1	SEAL,
10	165951A1	2	CLAMP,
11	KSH0050	1	INDICATOR,
12	KBH0902	1	HOSE, LARGE,
13	150545A1	1	CLAMP,
14	KRH1295	1	BRACKET,
15	152718A1	4	BOLT,
16	KRH1293	1	HOSE, LARGE,
17	150902A1	3	CLAMP,
18	KRH1570	1	SEAL,

CX210 LC DCH21B0858 And After

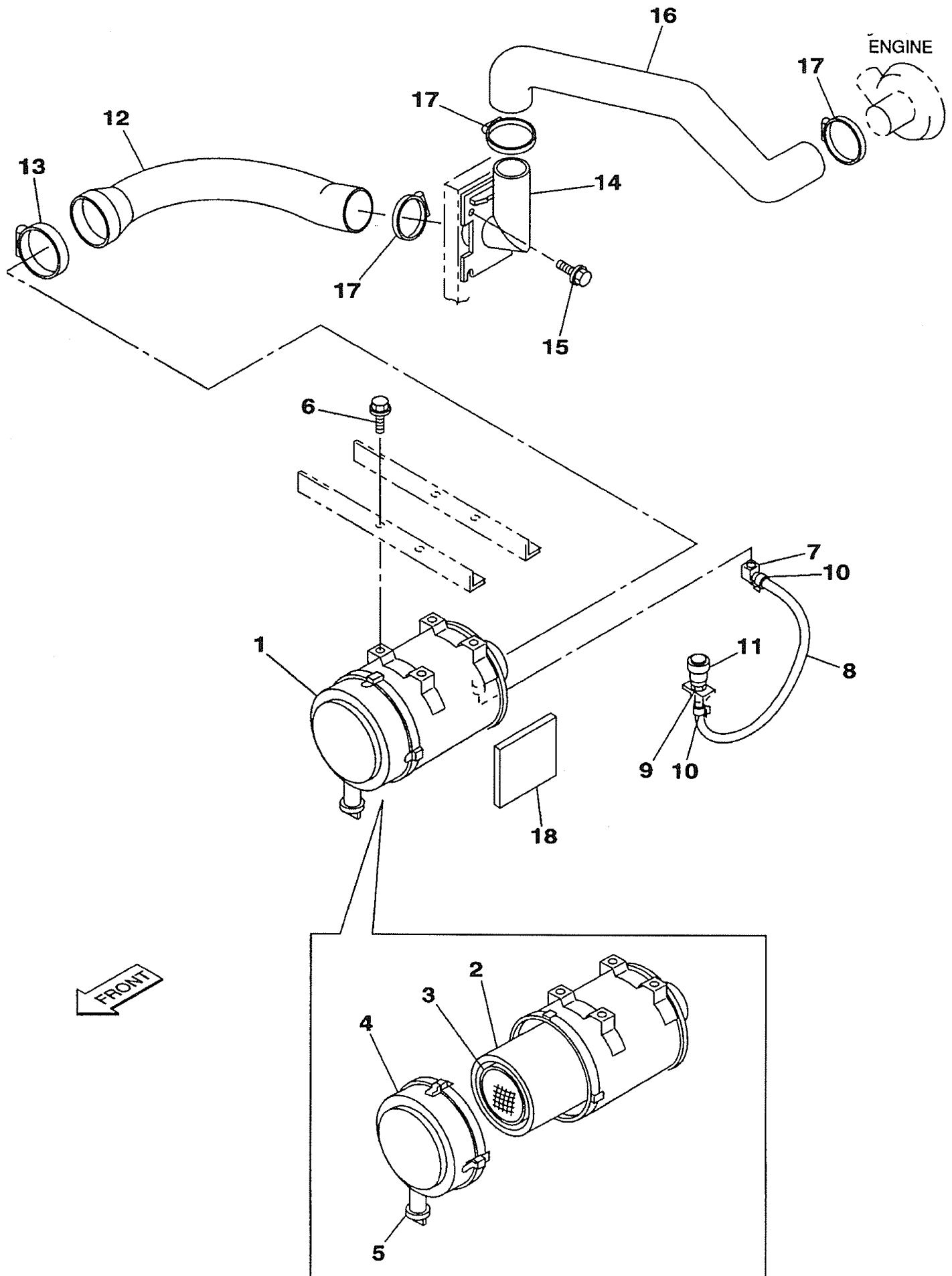


## CX210 CASE CRAWLER EXCAVATOR (EUROPE) (5/03- )

## 02-005B-00(01) AIR FILTRATION

Ref	Part Number	Qty	Description
1	150902A1	3	CLAMP,
2	KRH1319	1	AIR CLEANER, , Consists Of Ref. Numbers 3 To 7
3	KRH1248	1	BODY,
4	KRH0652	1	FILTER, AIR,
5	KRH1320	1	FILTER, AIR,
6	KRH1249	1	COVER,
7	KRH1250	1	VALVE,
8	165437A1	1	CAP,
9	166052A1	4	BOLT,
10	KRH1237	1	ELBOW,
11	157779A1	1	HOSE,
12	KRH1236	1	SEAL,
13	165951A1	2	CLAMP,
14	KSH0050	1	INDICATOR,
15	KRH1294	1	HOSE, LARGE,
16	150545A1	1	CLAMP,
17	KRH1471	1	BRACKET,
18	152718A1	4	BOLT,
19	KRH1472	1	HOSE, LARGE,

CX210 NLC DCH21N0101 To DCH21N0324



## CX210 CASE CRAWLER EXCAVATOR (EUROPE) (5/03- )

## 02-005B-00(02) AIR FILTRATION

Ref	Part Number	Qty	Description
1	KRH1569	1	FILTER, AIR, , Consists Of Ref. Numbers 2 To 5
2	KBH0921	1	FILTER, AIR,
3	KBH0922	1	FILTER, AIR,
4	KBH0923	1	COVER ASSY,
5	KBH0924	1	VALVE,
6	166052A1	4	BOLT,
7	KRH1237	1	ELBOW,
8	157778A1	1	HOSE,
9	KRH1236	1	SEAL,
10	165951A1	2	CLAMP,
11	KSH0050	1	INDICATOR,
12	KBH0902	1	HOSE, LARGE,
13	150545A1	1	CLAMP,
14	KRH1471	1	BRACKET,
15	152718A1	4	BOLT,
16	KRH1472	1	HOSE, LARGE,
17	150902A1	3	CLAMP,
18	KRH1570	1	SEAL,

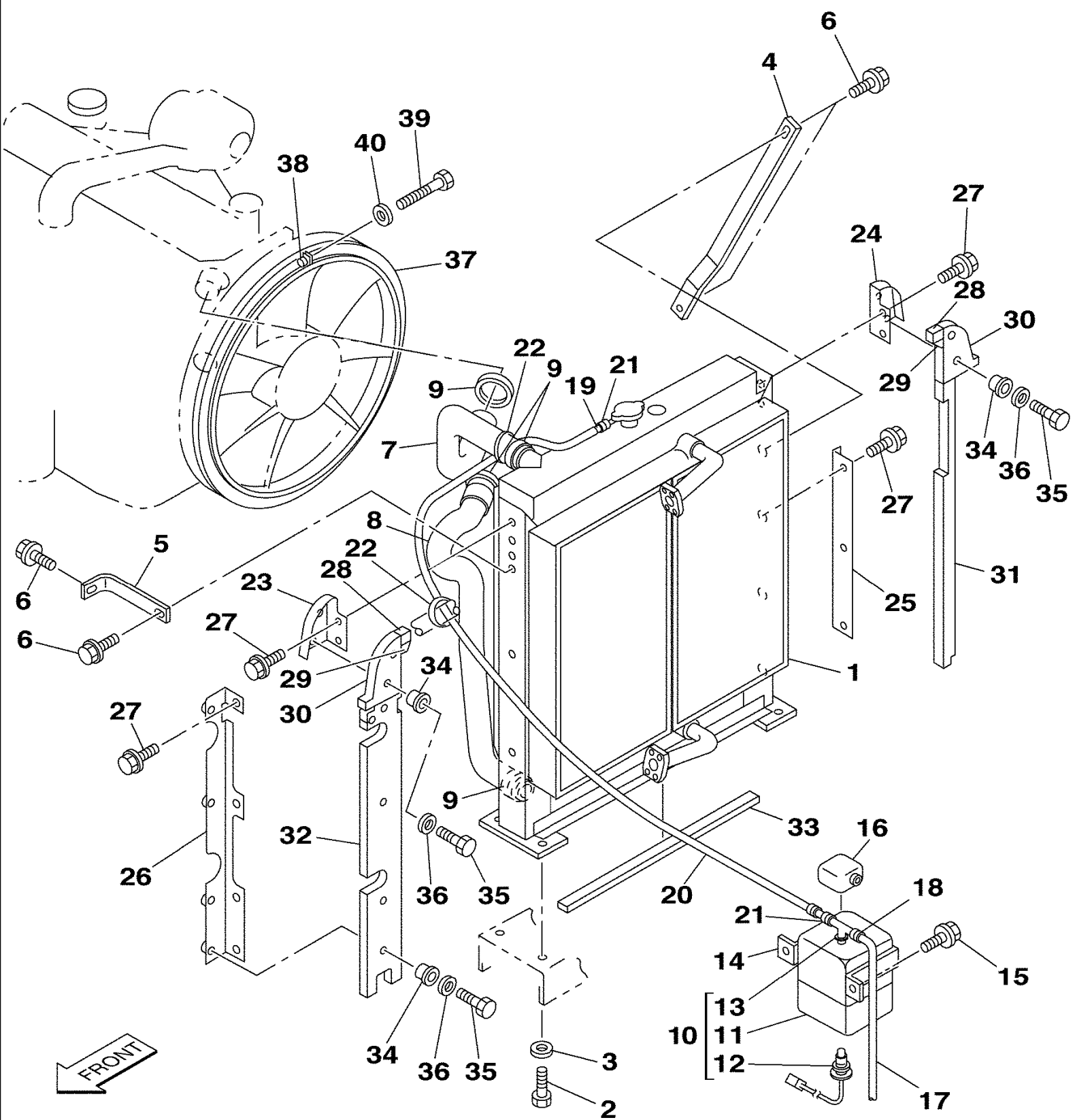
CX210 NLC DCH21N0325 And After / CX230 DC23N0001 And After



## CX210 CASE CRAWLER EXCAVATOR (EUROPE) (5/03- )

## 02-007-00(01) EXHAUST

Ref	Part Number	Qty	Description
1	KRH1227	1	MUFFLER,
2	KBH0849	1	PIPE,
3	829-1408	8	NUT, M8, CI 10, , M8; 10
4	KRH1321	1	CLAMP,
5	157480A1	1	TUBE, , CX210 LC DCH21B1001A, DCH21B1002A, DCH21B1003A, DCH21B0101 And After / CX210 LR DCH21B0101 And After
5	157481A1	1	TUBE, PLASTIC-RUBBER, , CX210 NLC DCH21N0101 And After / CX230 DC23N0001 And After
6	151367A1	1	CLAMP,
7	KRH1371	1	BRACKET,
8	627-10035	3	BOLT, Hex, M10 x 35, 10.9, Full Thd, , M10 x 35; 10.9
9	150409A1	3	WASHER, , 10,5 x 21 x 3,2 mm
10	159696A1	2	U-BOLT,
11	150472A1	8	NUT,
12	289213A1	1	GASKET,

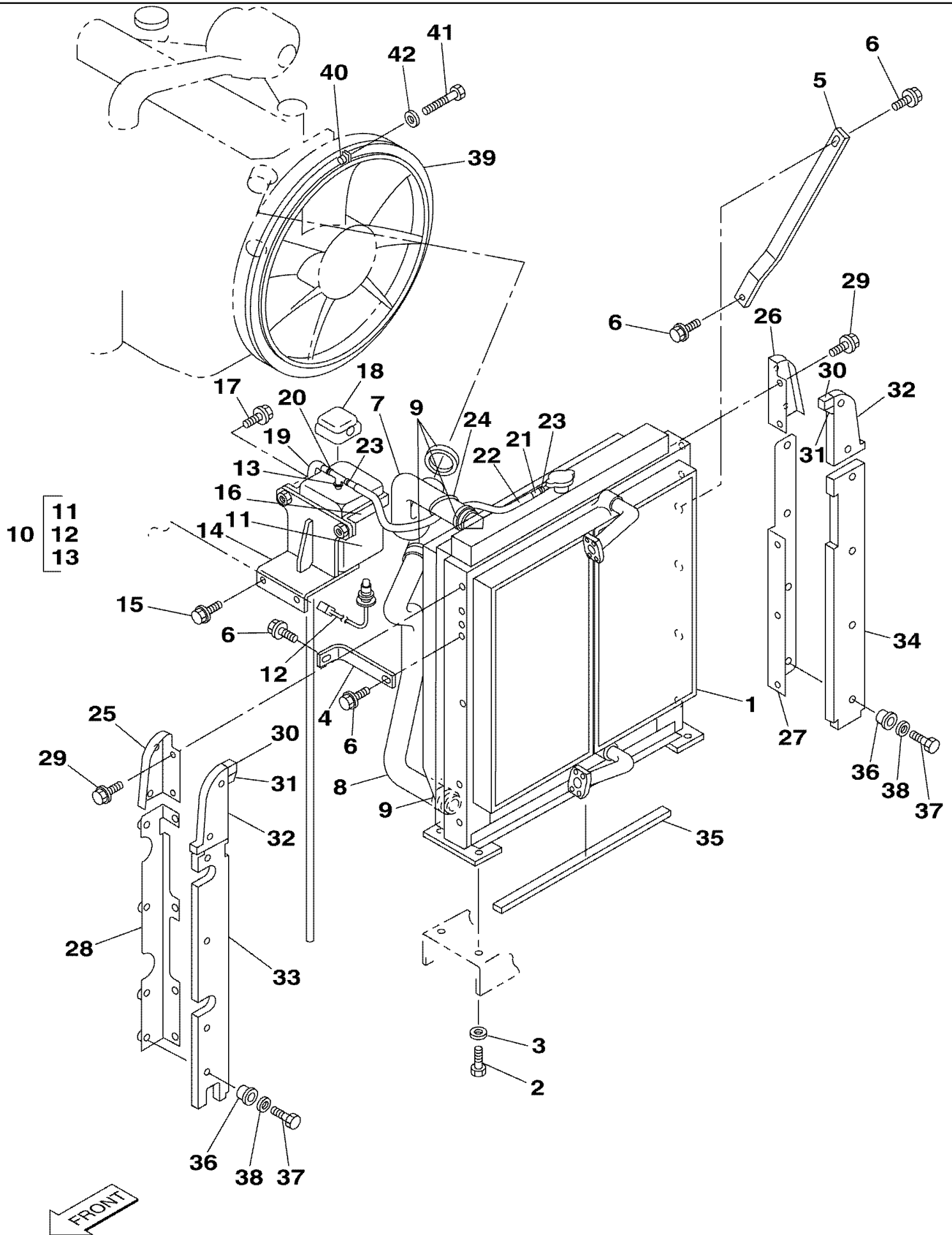


## CX210 CASE CRAWLER EXCAVATOR (EUROPE) (5/03- )

## 02-009-00(01) WATER CIRCUIT

Ref	Part Number	Qty	Description
1	KRH1374	1	RADIATOR, , See Page(s) 02-011-00 01, DCH21B0101 To DCH21B0931
1	KRH1629	1	RADIATOR, , See Page(s) 02-011-01 01, DCH21B0932 And After
2	627-16030	4	BOLT, Hex, M16 x 30, 10.9, Full Thd, Hex, M16 x 30, 10.9, Full Thd
3	150814A1	4	WASHER,
4	KRH1365	1	STAY,
5	KRH1387	1	STAY,
6	152718A1	4	BOLT,
7	KRH1362	1	HOSE, LARGE,
8	KRH1363	1	HOSE, LARGE,
9	165793A1	4	CLAMP,
10	160626A1	1	RESERVOIR, , Consists Of Ref. Numbers 11, 12, 13
11	150026A1	1	TANK,
12	161740A1	1	SWITCH,
13	166131A1	1	CAP,
14	KRH1435	1	HOLDER,
15	166052A1	2	BOLT,
16	157140A1	1	COVER,
17	KHH0388	1	HOSE,
18	165952A1	1	MOUNTING CLIP,
19	KHH0389	1	HOSE, LARGE,
20	KBR0665	1	TUBE, PLASTIC-RUBBER,
21	165951A1	2	CLAMP,
22	150498A1	2	COLLAR,
23	KRH1322	1	BRACKET,
24	KRH1323	1	BRACKET,
25	KRH1283	1	BRACKET,
26	KRH1284	1	BRACKET,
27	166345A1	11	BOLT,
28	KRH1275	2	GASKET,
29	KRH1276	2	SEAL,
30	KRH1324	2	GASKET,
31	KRH1278	1	GASKET,
32	KRH1280	1	GASKET,
33	KRH1337	1	GASKET,
34	KHH0358	8	RETAINER,
35	827-8040	8	BOLT, Hex, M8 x 40, 10.9, , M8 x 40; 10.9
36	895-11008	8	WASHER, M8 x 16 x 1.6, , 9 x 17 x 1,6 mm
37	KRH1375	1	GASKET,
38	KRH1376	1	MOUNTING CLIP,
39	KRH1377	1	SCREW,
40	895-11005	1	WASHER, M5 x 10 x 1, , 5,5 x 10 x 1 mm

CX210 LC / CX210 LR

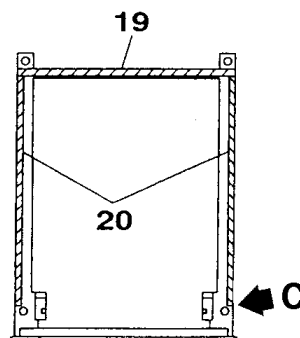
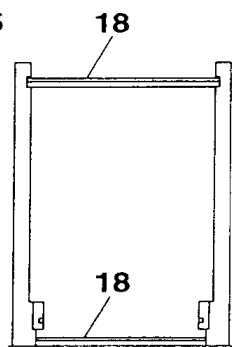
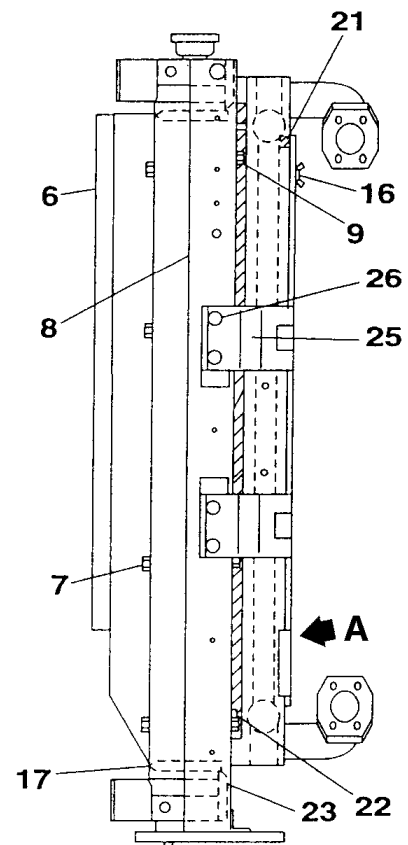
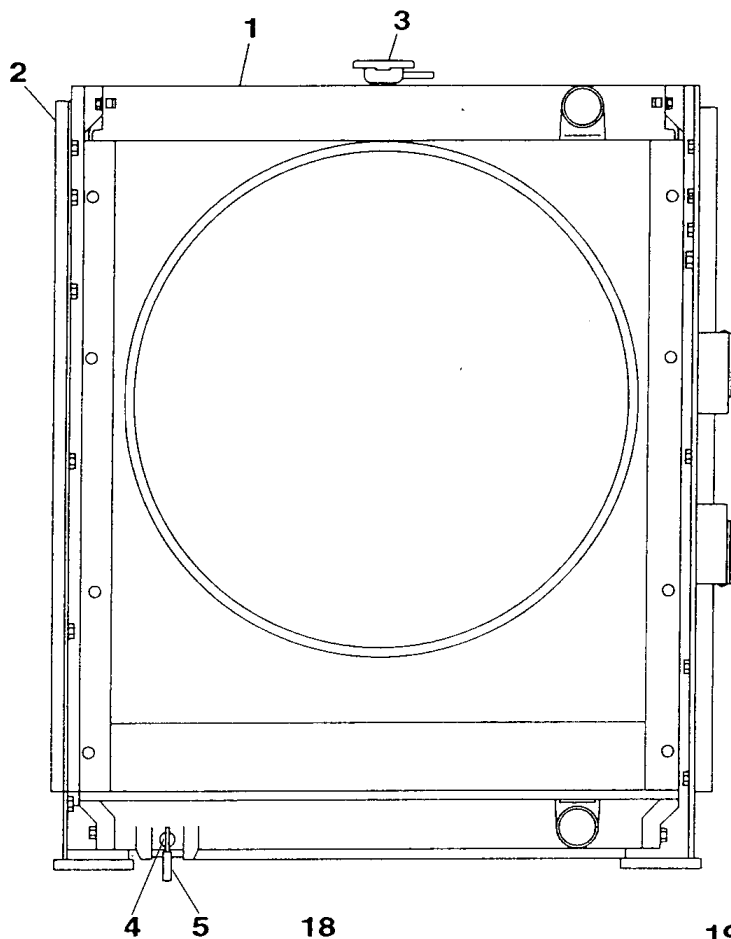
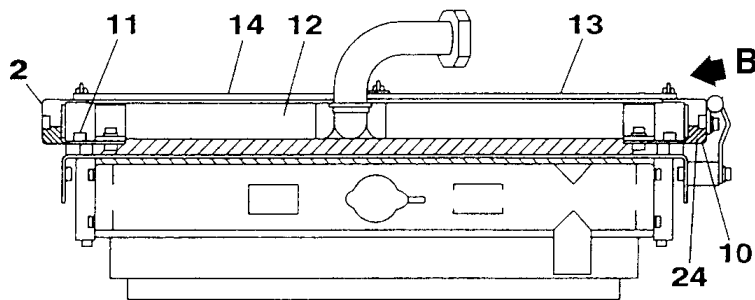
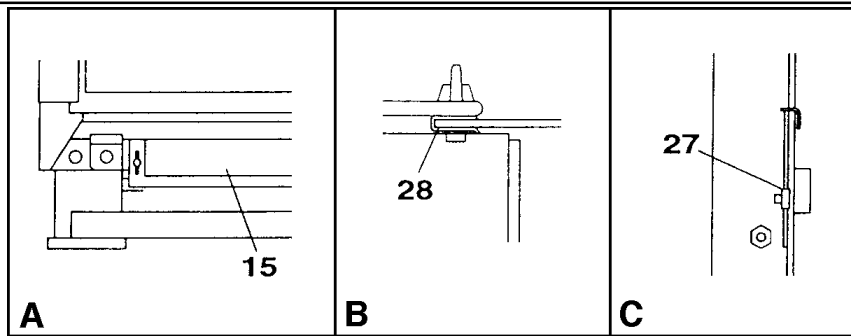


## CX210 CASE CRAWLER EXCAVATOR (EUROPE) (5/03- )

## 02-009B-00(01) WATER CIRCUIT

Ref	Part Number	Qty	Description
1	KRH1462	1	RADIATOR, , See Page(s) 02-011B-00 01, DCH21N0101 To DCH21N0339
1	KRH1630	1	RADIATOR, Radiator, See Page(s) 02-011B-01 01, DCH21N0340 And After
2	627-16030	4	BOLT, Hex, M16 x 30, 10.9, Full Thd, Hex, M16 x 30, 10.9, Full Thd
3	150814A1	4	WASHER,
4	KRH1463	1	SUPPORT,
5	KRH1464	1	SUPPORT,
6	152718A1	4	BOLT,
7	KRH1362	1	HOSE, LARGE,
8	KRH1465	1	HOSE, LARGE,
9	165793A1	4	CLAMP,
10	160626A1	1	RESERVOIR, , Consists Of Ref. Numbers 11, 12, 13
11	150026A1	1	TANK,
12	161740A1	1	SWITCH,
13	166131A1	1	CAP,
14	KRH1466	1	SUPPORT,
15	152718A1	2	BOLT,
16	KRH1270	1	HOLDER,
17	166052A1	2	BOLT,
18	157140A1	1	COVER,
19	150627A1	1	HOSE,
20	165952A1	1	MOUNTING CLIP,
21	157778A1	1	HOSE,
22	150394A1	1	TUBE, PLASTIC-RUBBER,
23	165951A1	2	CLAMP,
24	150498A1	1	COLLAR,
25	KBH0835	1	BRACKET,
26	KBH0836	1	BRACKET,
27	KRH1467	1	SUPPORT,
28	KBH0816	1	BRACKET,
29	166345A1	11	BOLT,
30	KRH1275	2	GASKET,
31	KRH1276	2	SEAL,
32	KBH0837	2	GASKET,
33	KRH1468	1	GASKET,
34	KRH1469	1	GASKET,
35	KRH1337	1	GASKET,
36	KHH0358	12	RETAINER,
37	827-8040	12	BOLT, Hex, M8 x 40, 10.9, , M8 x 40; 10.9
38	895-11008	12	WASHER, M8 x 16 x 1.6, , 9 x 17 x 1,6 mm
39	KRH1375	1	GASKET,
40	KRH1376	1	MOUNTING CLIP,
41	KRH1377	1	SCREW,
42	895-11005	1	WASHER, M5 x 10 x 1, , 5,5 x 10 x 1 mm

CX210 NLC

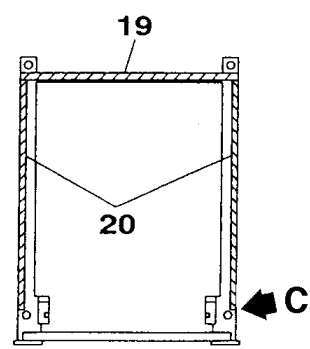
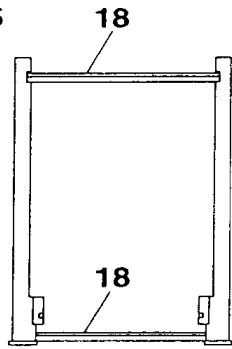
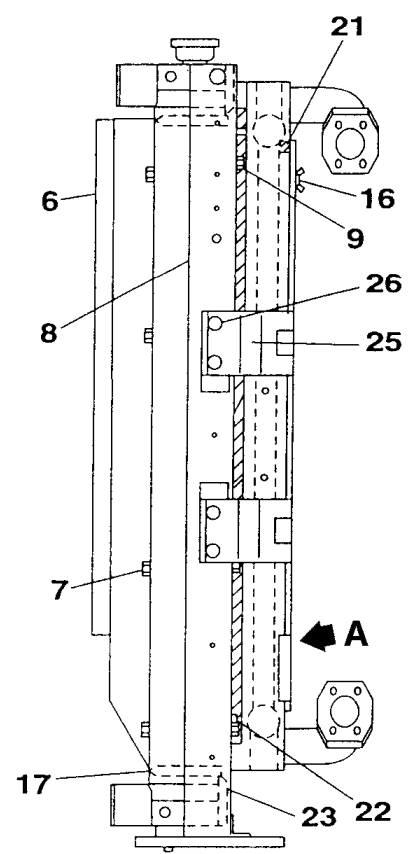
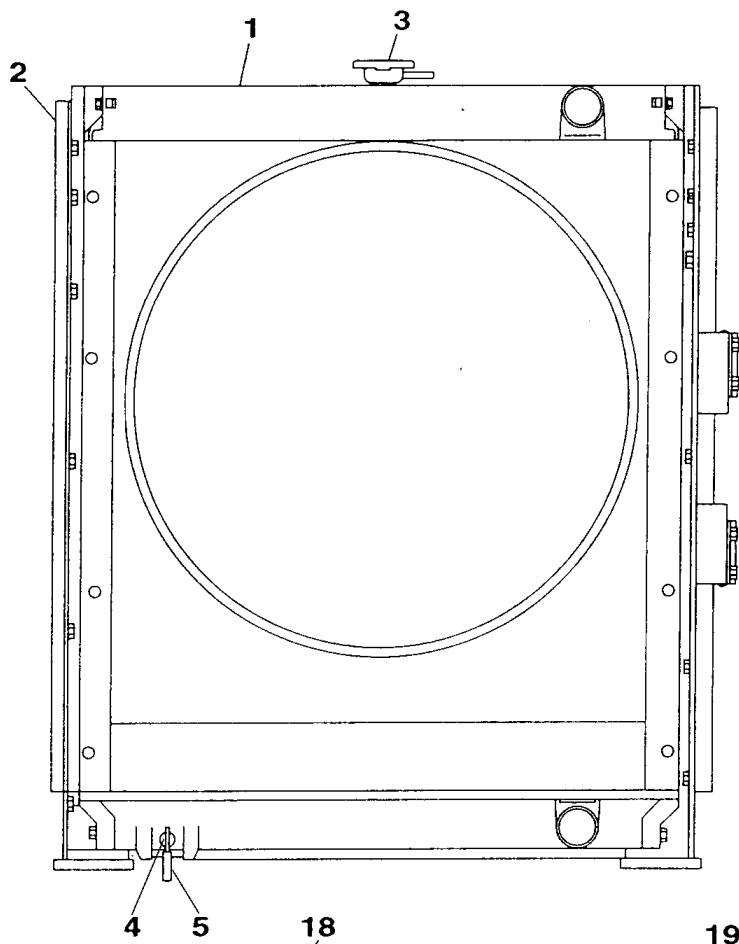
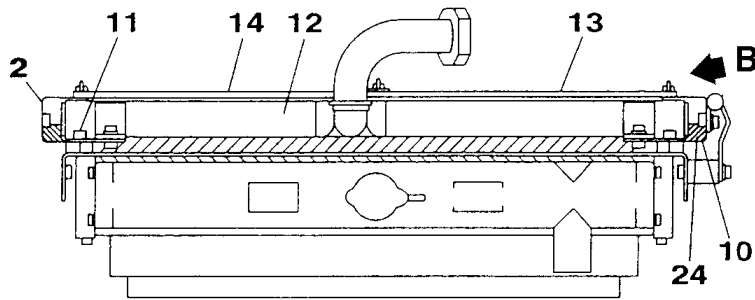
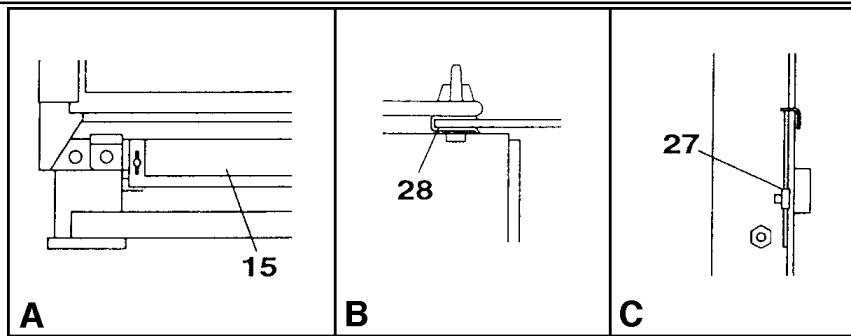


## CX210 CASE CRAWLER EXCAVATOR (EUROPE) (5/03- )

## 02-011-00(01) RADIATOR - OIL COOLER

Ref	Part Number	Qty	Description
	KRH1374	1	RADIATOR, , Consists Of Ref. Numbers 1 To 28
1	LN00052	1	RADIATOR,
2	LS00116	1	BRACKET,
3	156601A1	1	PLUG,
4	LNG0336	1	COCK, DRAIN,
5	LLG0023	1	HOSE,
6	LW00303	1	SHIELD,
7	LA00677	8	BOLT,
8	LT00096	1	FRAME,
9	LA00677	8	BOLT,
10	LS00117	1	BRACKET,
11	158870A1	8	BOLT,
12	LN00055	1	COOLER, OIL,
13	LJ00674	1	BAFFLE, , Replaced By LJ00944
13	LJ00944	1	SCREEN,
14	LJ00675	1	BAFFLE, , Replaced By LJ00943
14	LJ00943	1	SCREEN,
15	LG00307	1	PROTECTOR,
16	156606A1	6	BOLT,
17	160322A1	2	PACKING,
18	LAG0005	2	GASKET,
19	LE00711	1	GASKET,
20	LE00720	2	GASKET,
21	LAG0004	2	GASKET,
22	LE00713	1	GASKET,
23	LE00714	1	GASKET,
24	LE00721	2	GASKET,
25	LM00059	2	HINGE,
26	158870A1	8	BOLT,
27	LA00678	2	NUT, LOCK,
28	LA00678	2	NUT, LOCK,

CX210 DCH21B0101 To DCH21B0931

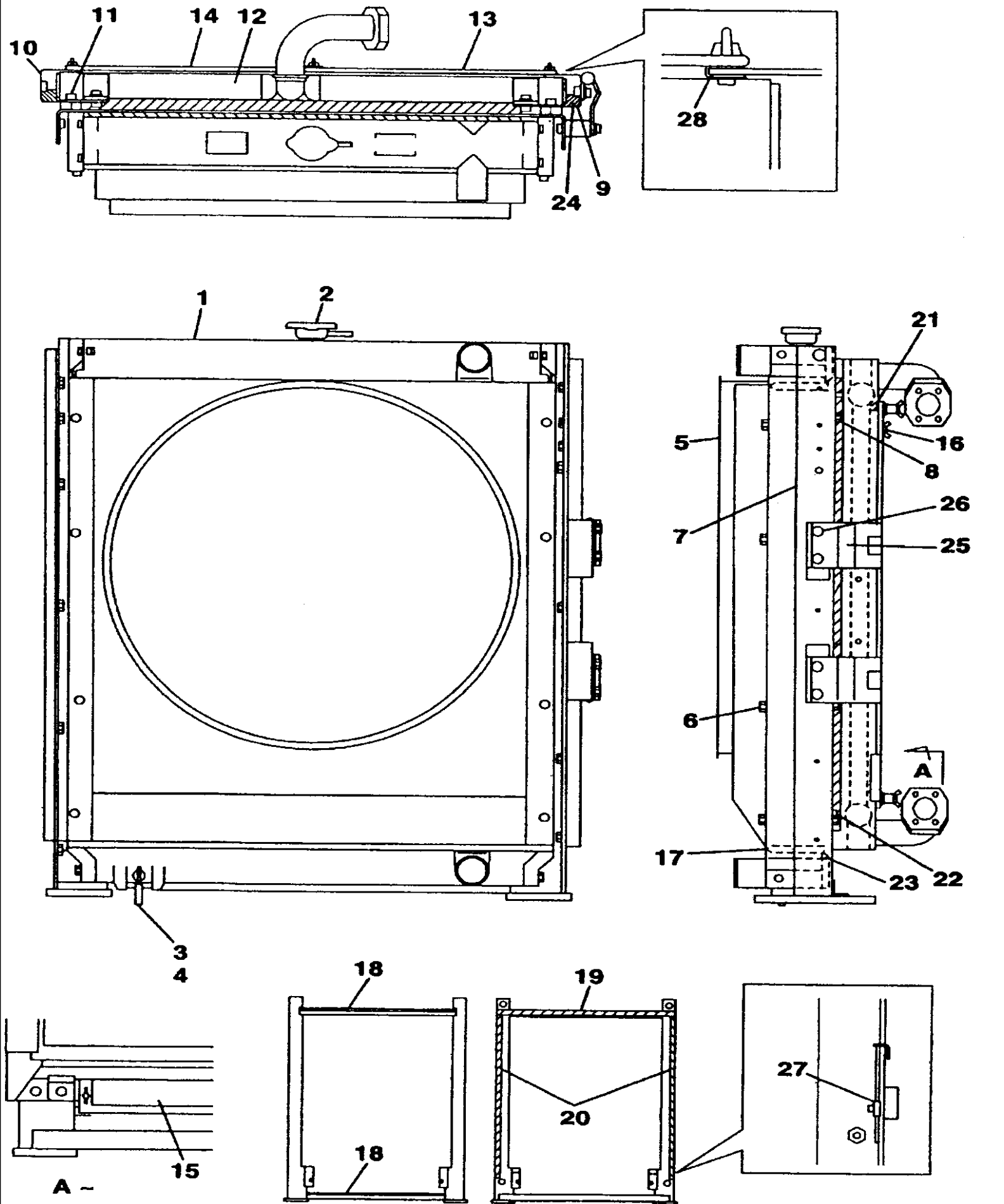


## CX210 CASE CRAWLER EXCAVATOR (EUROPE) (5/03- )

## 02-011-01(01) RADIATOR - OIL COOLER

Ref	Part Number	Qty	Description
	KRH1629	1	RADIATOR, , Consists Of Ref. Numbers 1 To 28
1	LN00052	1	RADIATOR,
2	LS002750	1	SUPPORT,
3	LR01142	1	CAP, RADIATOR,
4	LNG0336	1	COCK, DRAIN,
5	LLG0023	1	HOSE,
6	LW00303	1	SHIELD,
7	LA00677	8	BOLT,
8	LT00096	1	FRAME,
9	LA00677	8	BOLT,
10	LS002730	1	SUPPORT,
11	158870A1	8	BOLT,
12	LN00055	1	COOLER, OIL,
13	LJ00944	1	SCREEN,
14	LJ00943	1	SCREEN,
15	LG00307	1	PROTECTOR,
16	156606A1	6	BOLT,
17	160322A1	2	PACKING,
18	LAG0005	2	GASKET,
19	LE00711	1	GASKET,
20	LE00720	2	GASKET,
21	LE012510	2	JOINT, RUBBER,
22	LE00713	1	GASKET,
23	LE00714	1	GASKET,
24	LE00721	2	GASKET,
25	LM00059	2	HINGE,
26	158870A1	8	BOLT,
27	LA00678	2	NUT, LOCK,
28	LA00678	2	NUT, LOCK,

CX210 DCH21B0932 And After

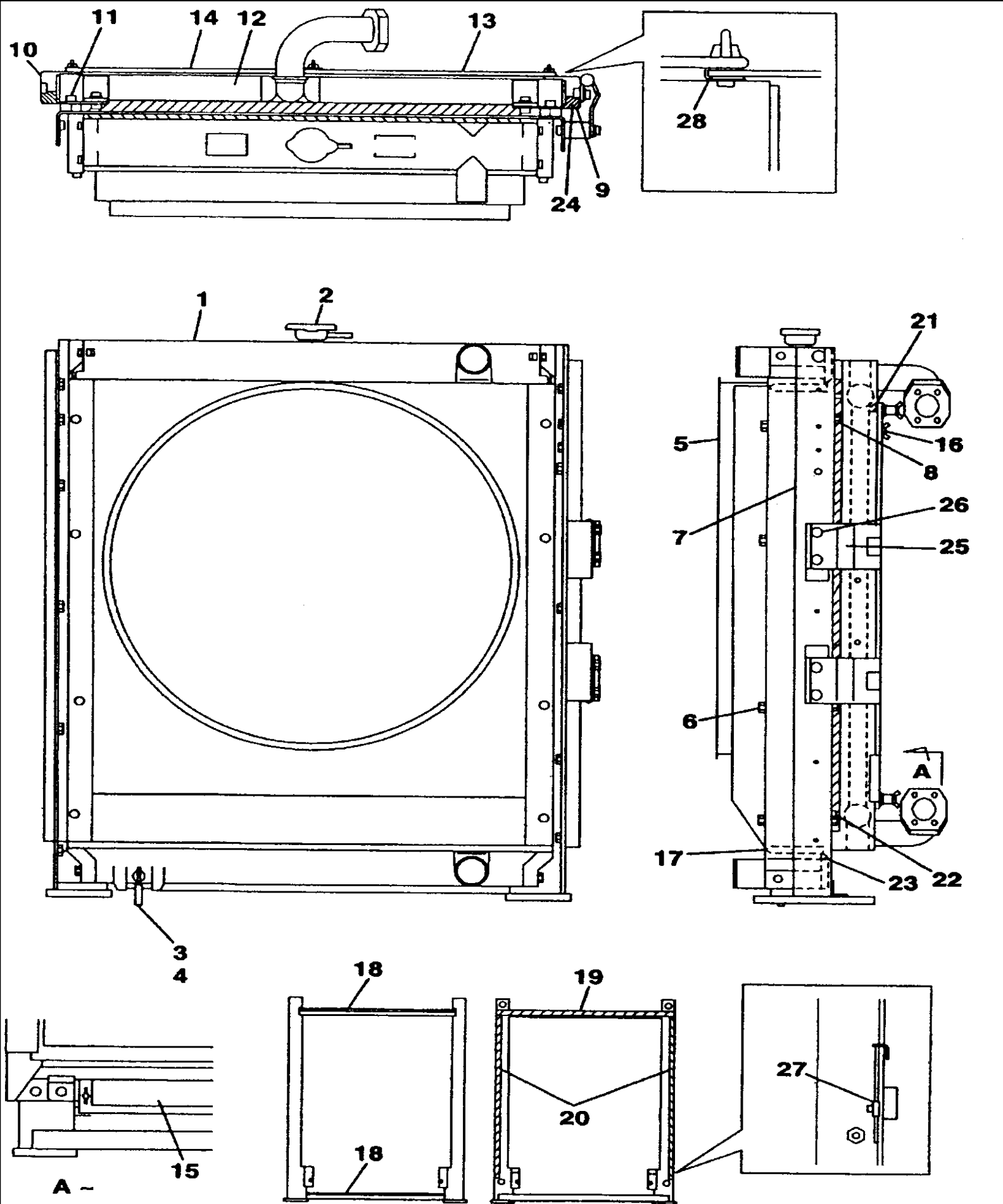


## CX210 CASE CRAWLER EXCAVATOR (EUROPE) (5/03- )

## 02-011B-00(01) RADIATOR - OIL COOLER

Ref	Part Number	Qty	Description
	KRH1462	1	RADIATOR, , Consists Of Ref. Numbers 1 To 28
1	LN00046	1	RADIATOR,
2	156601A1	1	PLUG,
3	LNG0336	1	COCK, DRAIN,
4	LLG0023	1	HOSE,
5	LW00433	1	SHROUD,
6	LA00677	1	BOLT,
7	LT00094	8	FRAME,
8	LA00677	1	BOLT,
9	LS00111	8	BRACKET,
10	LS00110	1	BRACKET,
11	158870A1	8	BOLT,
12	LN00048	1	COOLER, OIL,
13	LJ00946	1	GRILLE, RADIATOR,
14	LJ00945	1	GRILLE, RADIATOR,
15	LG00307	1	PROTECTOR,
16	156606A1	6	BOLT,
17	160322A1	2	PACKING,
18	LAG0005	2	GASKET,
19	LE00711	1	GASKET,
20	LE00712	2	GASKET,
21	LAG0004	2	GASKET,
22	LE00713	1	GASKET,
23	LE00714	1	GASKET,
24	LE00715	2	GASKET,
25	LM00059	2	HINGE,
26	158870A1	8	BOLT,
27	LA00678	2	NUT, LOCK,
28	LA00678	2	NUT, LOCK,

CX210NLC DCH21N0101 To DCH21B0339

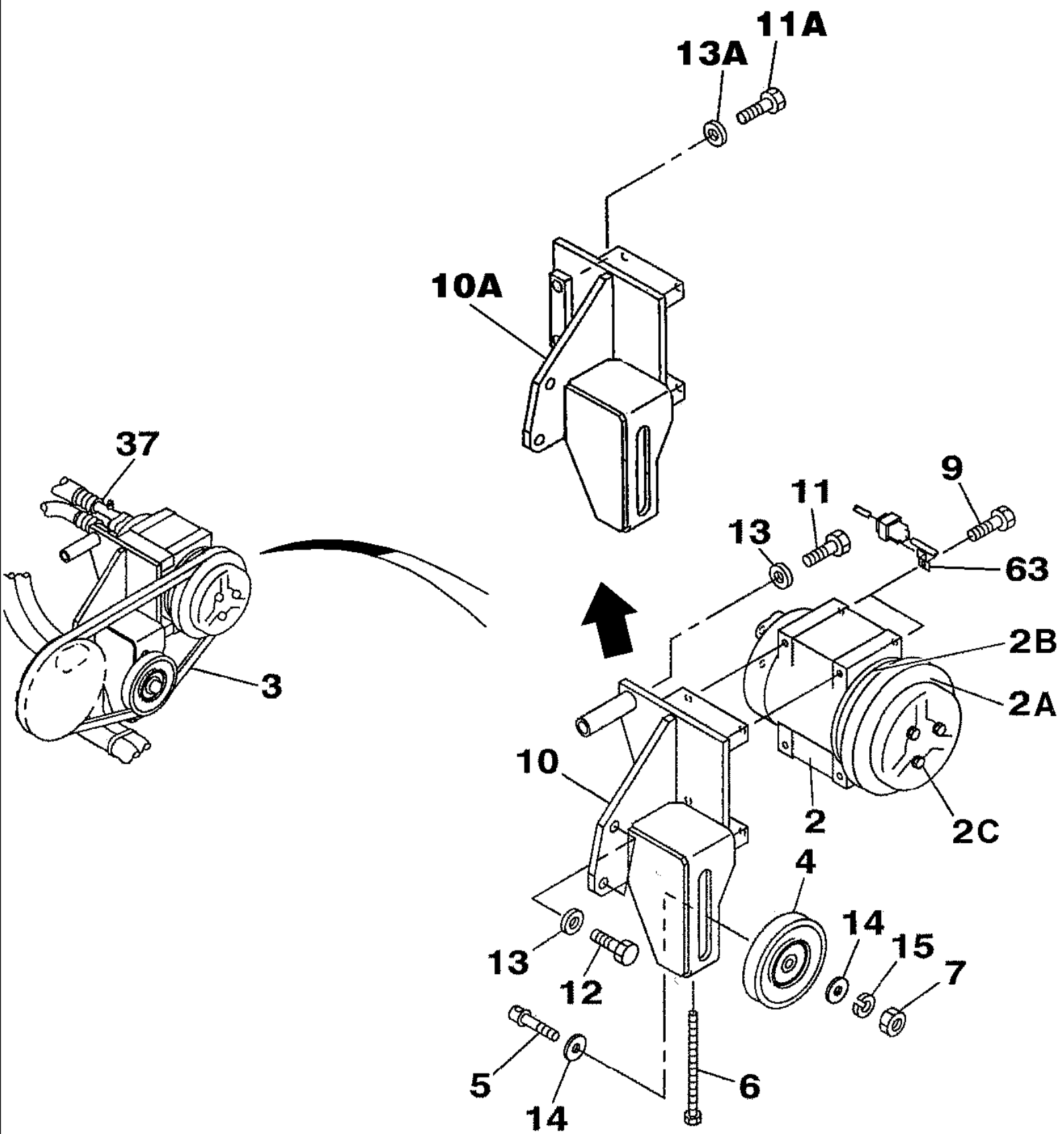


## CX210 CASE CRAWLER EXCAVATOR (EUROPE) (5/03- )

## 02-011B-01(01) RADIATOR - OIL COOLER

Ref	Part Number	Qty	Description
	KRH1630	1	RADIATOR, , Consists Of Ref. Numbers 1 To 28
1	LN00046	1	RADIATOR,
2	LR01142	1	CAP, RADIATOR,
3	LNG0336	1	COCK, DRAIN,
4	LLG0023	1	HOSE,
5	LW00433	1	SHROUD,
6	LA00677	1	BOLT,
7	LT00094	8	FRAME,
8	LA00677	1	BOLT,
9	LS002720	8	SUPPORT,
10	LS002710	1	SUPPORT,
11	158870A1	8	BOLT,
12	LN00048	1	COOLER, OIL,
13	LJ00946	1	GRILLE, RADIATOR,
14	LJ00945	1	GRILLE, RADIATOR,
15	LG00307	1	PROTECTOR,
16	156606A1	6	BOLT,
17	160322A1	2	PACKING,
18	LAG0005	2	GASKET,
19	LE00711	1	GASKET,
20	LE00712	2	GASKET,
21	LE012510	2	JOINT, RUBBER,
22	LE00713	1	GASKET,
23	LE00714	1	GASKET,
24	LE00715	2	GASKET,
25	LM00059	2	HINGE,
26	158870A1	8	BOLT,
27	LA00678	2	NUT, LOCK,
28	LA00678	2	NUT, LOCK,

CX210NLC DCH21N0340 And After



## CX210 CASE CRAWLER EXCAVATOR (EUROPE) (5/03- )

## 02-013-00(01) CAB AIR CONDITIONING - COMPRESSOR MOUNTING

Ref	Part Number	Qty	Description
2	KHR3197	1	COMPRESSOR, , Consists Of Ref. Numbers 2A, 2B, 2C
2A	KHR3198	1	CLUTCH,
2B	KHR3974	1	COVER, PROTECTIVE,
2C	KHR3975	3	BOLT,
3	159639A1	1	V-BELT,
4	157296A1	1	PULLEY,
5	157299A1	1	SHAFT,
6	159644A1	1	BOLT,
7	157292A1	1	NUT, , M10
9	KAR0921	4	SCREW,
10	KRR1345	1	BRACKET, , Order KHR3818(1), 827-10040(2)
10A	KHR3818	1	SUPPORT,
11	159618A1	1	BOLT,
11A	827-10040	2	BOLT, Hex, M10 x 40, 10.9, Full Thd, , M10 x 40; 10.9
12	167472A1	2	BOLT,
13	150409A1	3	WASHER, , 10,5 x 21 x 3,2 mm
13A	150409A1	2	WASHER, , 10,5 x 21 x 3,2 mm
14	151977A1	2	WASHER,
15	892-11010	1	WASHER, LOCK, M10, , W10
37	REF	1	INSTRUCTION, , Hose, See Page(s) 09-053-00
63	158962A1	1	CLIP,

CX210 LC / CX210 LR



**Suggest:**

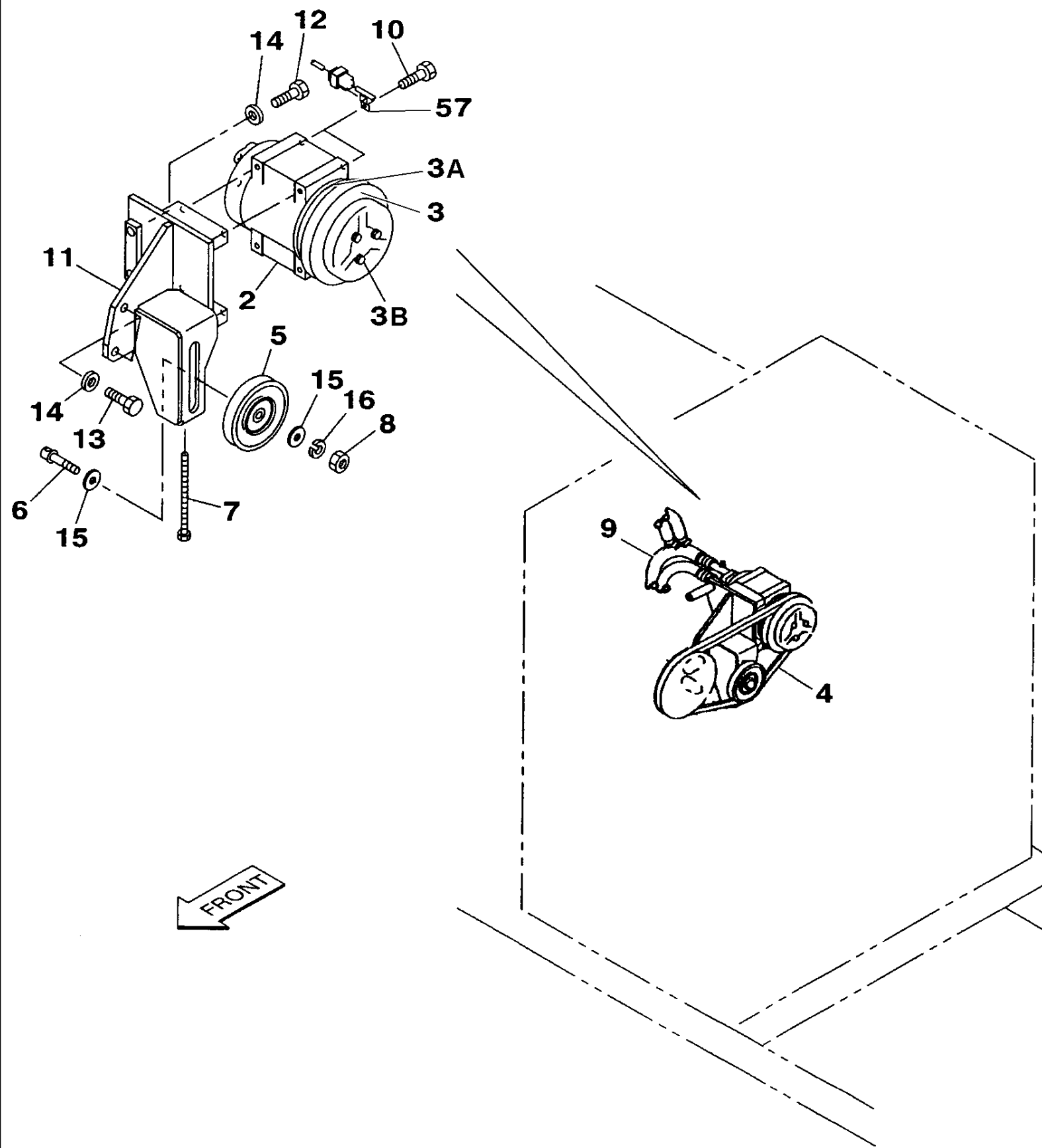
**If the above button click is invalid.**

**Please download this document**

**first, and then click the above link**

**to download the complete manual.**

**Thank you so much for reading**



**<https://www.ebooklibonline.com>**

Hello dear friend!

Thank you very much for reading.

Enter the link into your browser.

The full manual is available for immediate download.

**<https://www.ebooklibonline.com>**