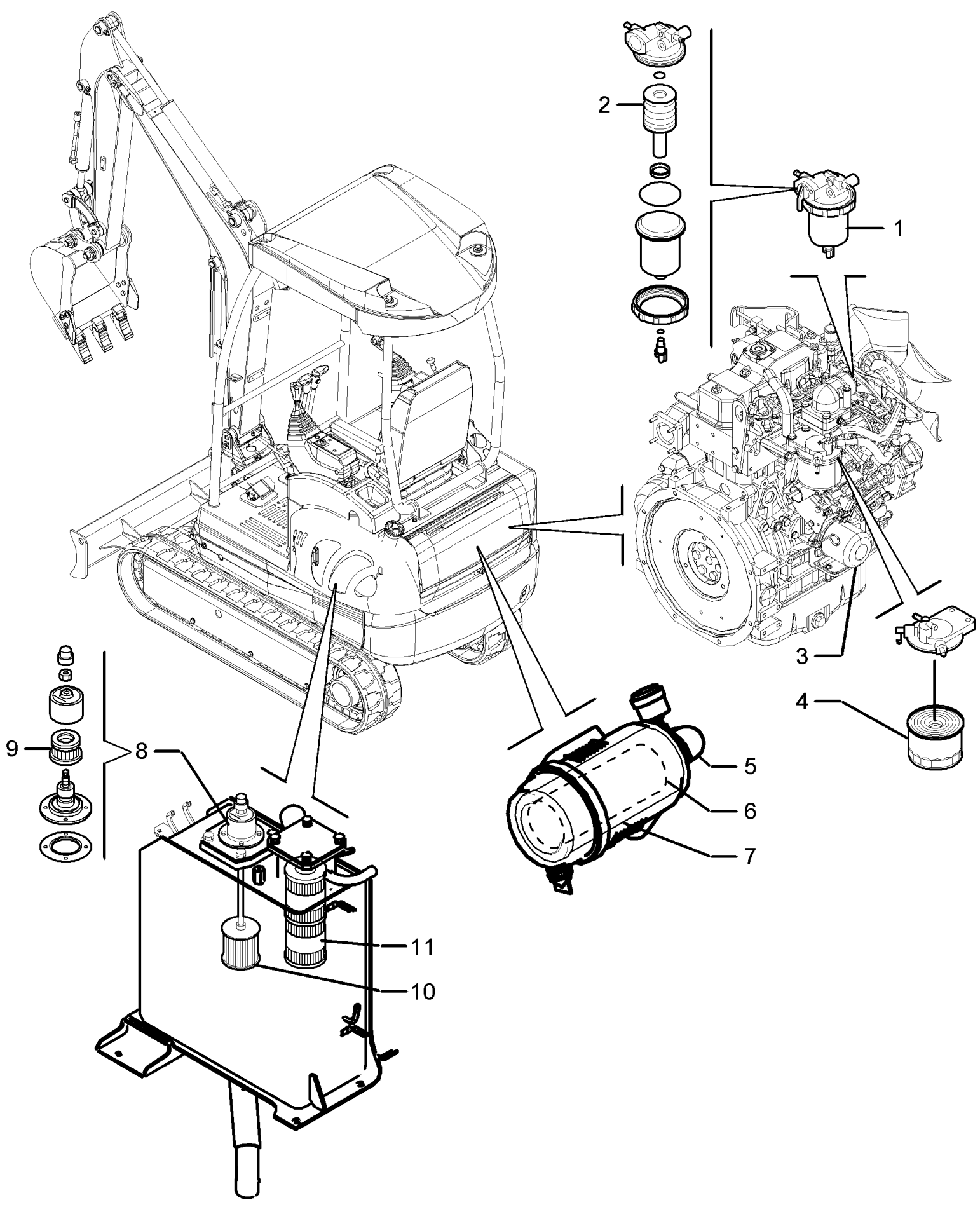




PARTS CATALOGUE

CX50B
CASE MINI CRAWLER EXCAVATOR
(N5GN01157 AND AFTER)



CX50B MINI CRAWLER EXCAVATOR (N5GN01157 & AFTER) (6/05-)

0.000(00) MAINTENANCE PARTS

Ref	Part Number	Qty	Description
1	72280600	1	SEPARATOR, , See Page 0.021 - 0.203
2	72280430	1	FILTER, COOLANT, , See Page 0.021 - 0.203
3	72285425	1	FILTER, ENGINE OIL, , See Page 0.305
4	72280422	1	FILTER, FUEL, , See Page 0.021 - 0.203
5	72283516	1	AIR CLEANER, , See Page 0.001A
6	72281613	1	FILTER, ELEMENT, , See Page 0.001A
7	72281617	1	FILTER, ELEMENT, , See Page 0.001A
8	72284639	1	PLUG, , See Page 1.020 02
9	72281517	1	BREATHER, , See Page 1.020 02
10	72282237	1	STRAINER, ELEMENT, , See Page 1.020 02
11	72281486	1	FILTER, HYDRAULIC OIL,

<https://www.ebooklibonline.com>

Hello dear friend!

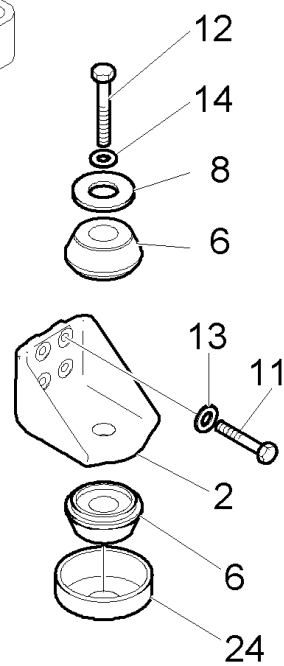
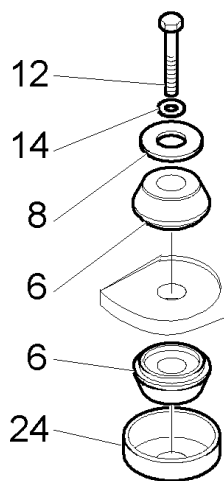
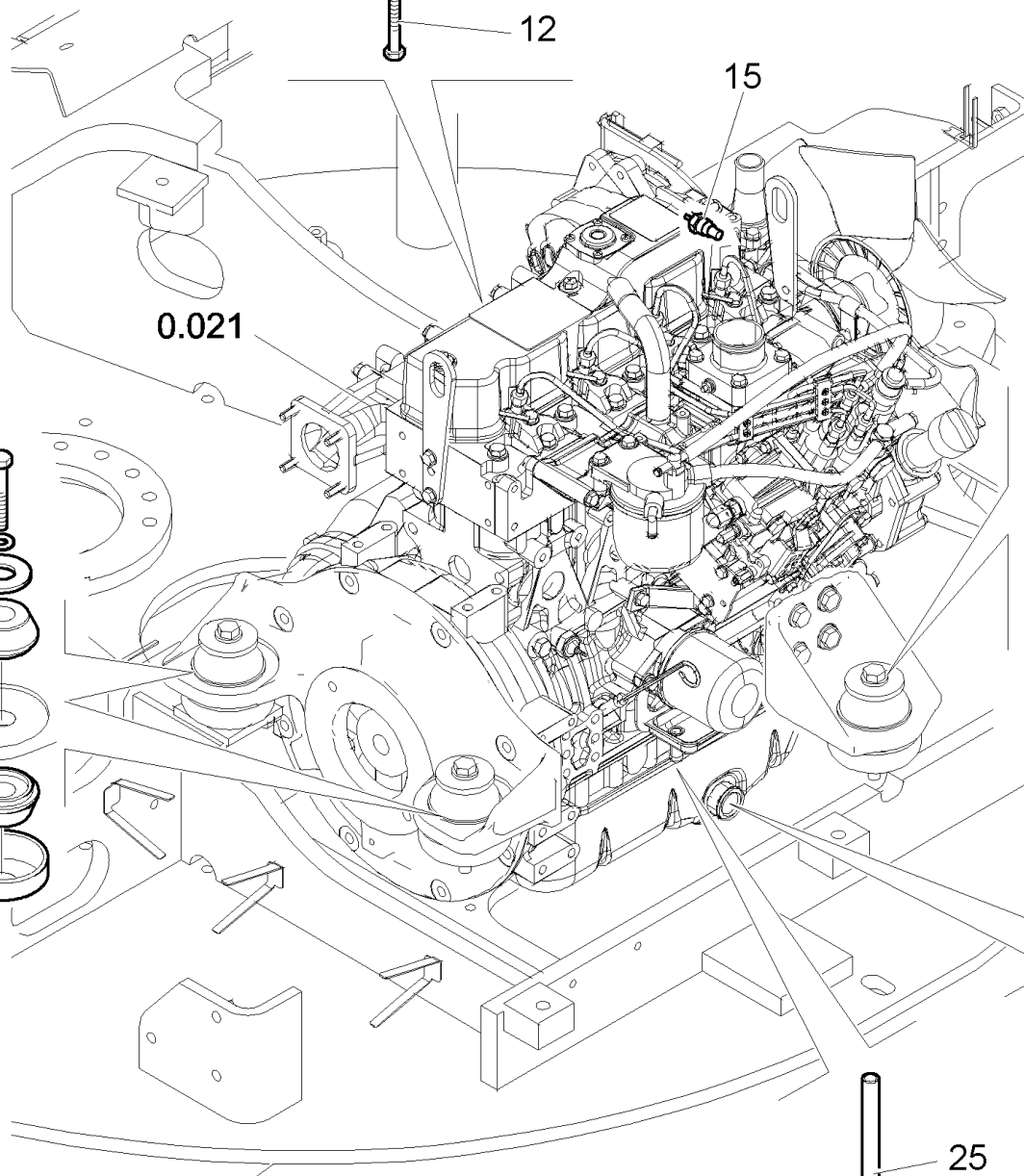
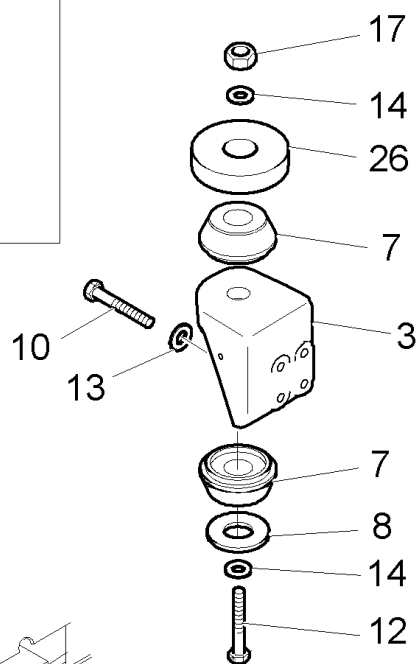
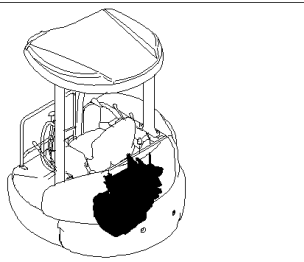
Thank you very much for reading.

Enter the link into your browser.

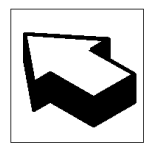
The full manual is available for immediate download.

<https://www.ebooklibonline.com>

0.000(01) ENGINE INSTALLATIONS



1.000

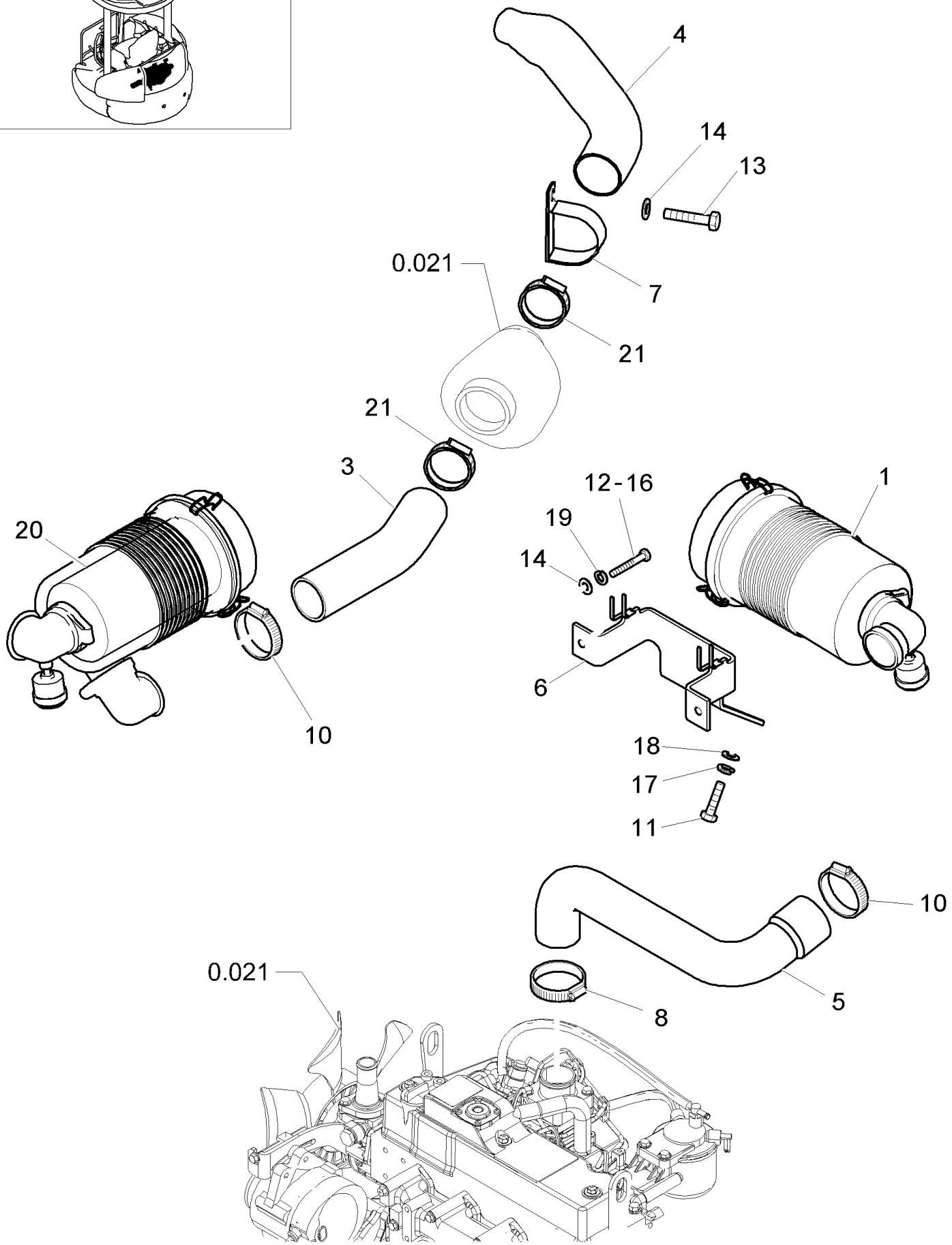
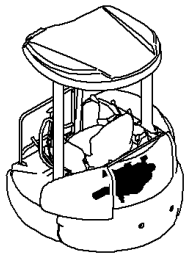


CX50B MINI CRAWLER EXCAVATOR (N5GN01157 & AFTER) (6/05-)

0.000(01) ENGINE INSTALLATIONS

Ref	Part Number	Qty	Description
2	72283479	1	BRACKET,
3	72283480	1	BRACKET,
6	72280520	6	MOUNTING, RUBBER,
7	72283481	2	MOUNTING, RUBBER,
8	72951034	4	WASHER,
10	11106234	4	SCREW, Hex, M10 x 25, 10.9, Full Thd,
11	11106434	4	SCREW, Hex, M10 x 30, 10.9, Full Thd,
12	11114634	4	SCREW, TE M12x120
13	12626221	8	WASHER, Ш10
14	13550521	6	WASHER, LOCK, Ш12
15	72273958	1	SENSOR,
17	11702924	2	NUT, M12
23	72280522	1	SET OF PARTS,
23A	72280525	1	O-RING,
24	72280528	3	COVER,
25	72280529	1	HOSE,
26	72285248	1	COVER,

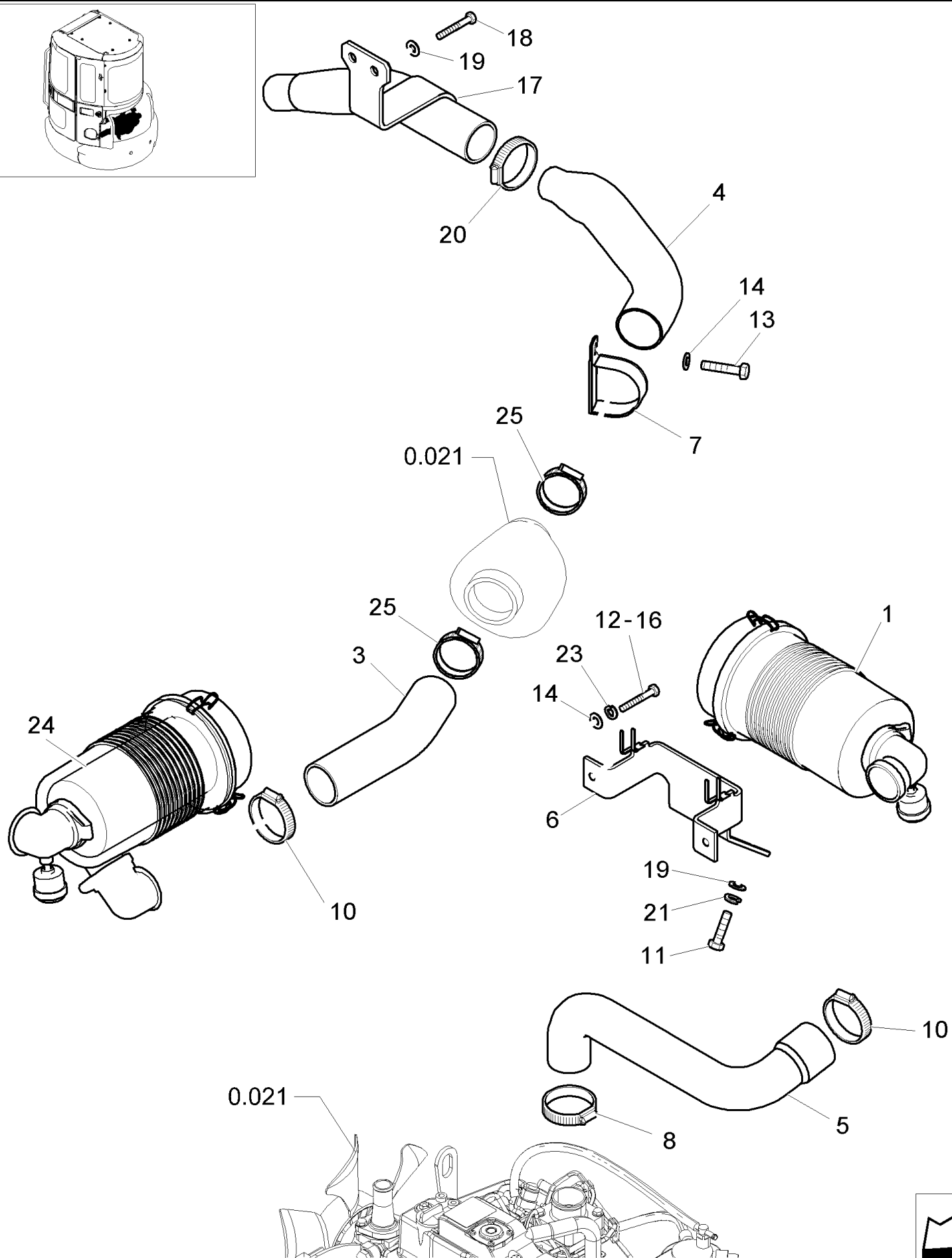
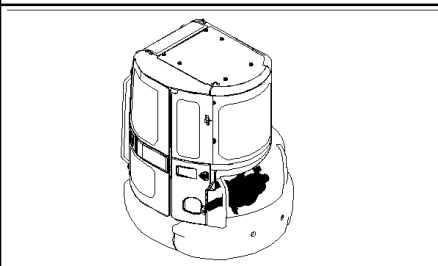
0.001(01) AIR CLEANER - CANOPY



0.001(01) AIR CLEANER - CANOPY

Ref	Part Number	Qty	Description
1	72283516	1	AIR CLEANER, , See Page 0.001A
3	72283520	1	HOSE, LARGE,
4	72283521	1	HOSE, LARGE,
5	72283522	1	HOSE, LARGE,
6	87542577	1	BRACKET,
7	87343836	1	CLIP,
8	87526525	1	CLAMP,
10	87526526	2	CLAMP,
11	16043434	4	SCREW, Hex, M8 x 20, 10.9, Full Thd, TE M8x20
12	11106234	1	SCREW, Hex, M10 x 25, 10.9, Full Thd,
13	11106034	1	SCREW, Hex, M10 x 20, 10.9, Full Thd,
14	14496621	3	WASHER, M10 x 21 x 2,
16	11106434	1	SCREW, Hex, M10 x 30, 10.9, Full Thd,
17	10571779	4	WASHER, LOCK, ⅜8
18	12654421	4	WASHER, ⅜8
19	10571879	2	WASHER, LOCK, M10,
20	72281616	1	AIR CLEANER,
21	87526651	2	CLAMP,

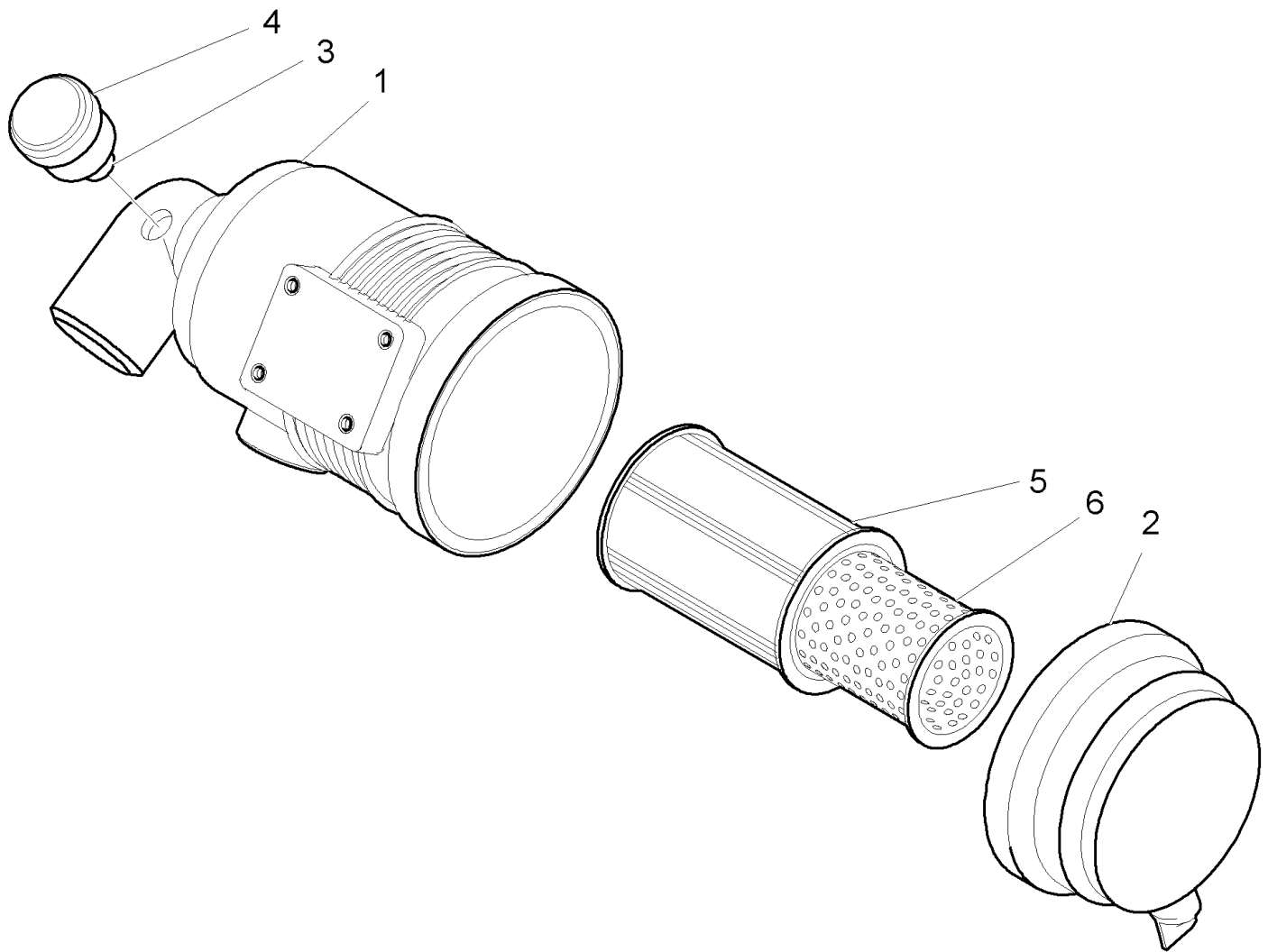
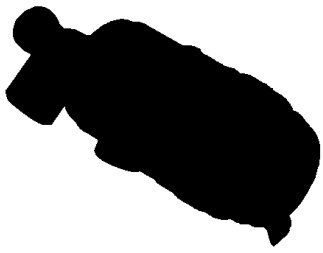
0.001(02) AIR CLEANER - CAB



0.001(02) AIR CLEANER - CAB

Ref	Part Number	Qty	Description
1	72283516	1	AIR CLEANER, , See Page 0.001A
3	72283520	1	HOSE, LARGE,
4	72283521	1	HOSE, LARGE,
5	72283522	1	HOSE, LARGE,
6	87542577	1	BRACKET,
7	87343836	1	CLIP,
8	87526525	1	CLAMP,
10	87526526	2	CLAMP,
11	16043434	4	SCREW, Hex, M8 x 20, 10.9, Full Thd, TE M8x20
12	11106234	1	SCREW, Hex, M10 x 25, 10.9, Full Thd,
13	11106034	1	SCREW, Hex, M10 x 20, 10.9, Full Thd,
14	14496621	3	WASHER, M10 x 21 x 2,
16	11106434	1	SCREW, Hex, M10 x 30, 10.9, Full Thd,
17	72283526	1	TUBE, AIR INTAKE,
18	16043634	2	SCREW, Hex, M8 x 25, 10.9, Full Thd, TE M8x25
19	12654401	6	WASHER, M8 x 17 x 3,
20	87526523	1	CLAMP,
21	10571779	4	WASHER, LOCK, ⅜
23	10571879	2	WASHER, LOCK, M10,
24	72281616	1	AIR CLEANER,
25	87526651	2	CLAMP,

0.001A(01) AIR CLEANER



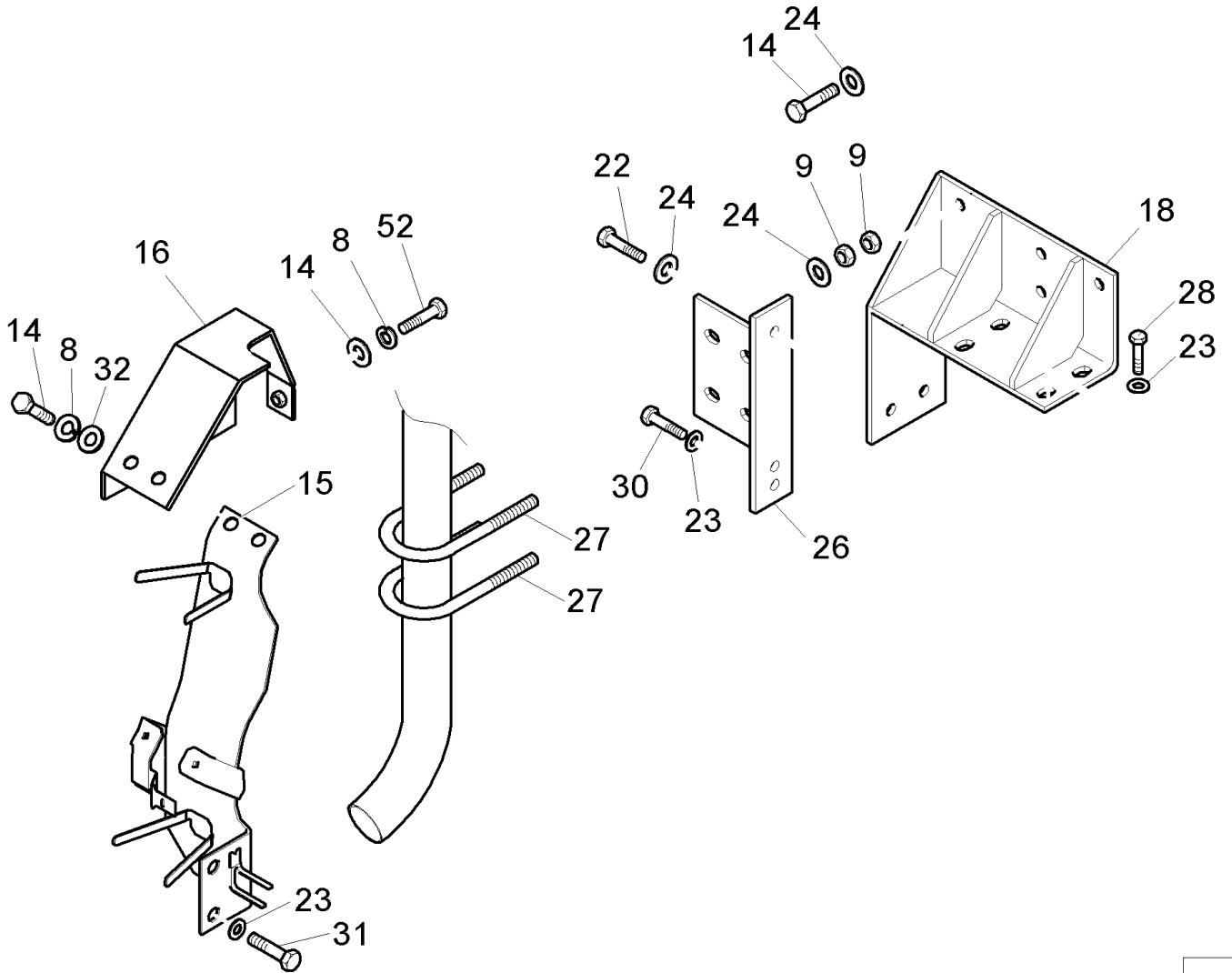
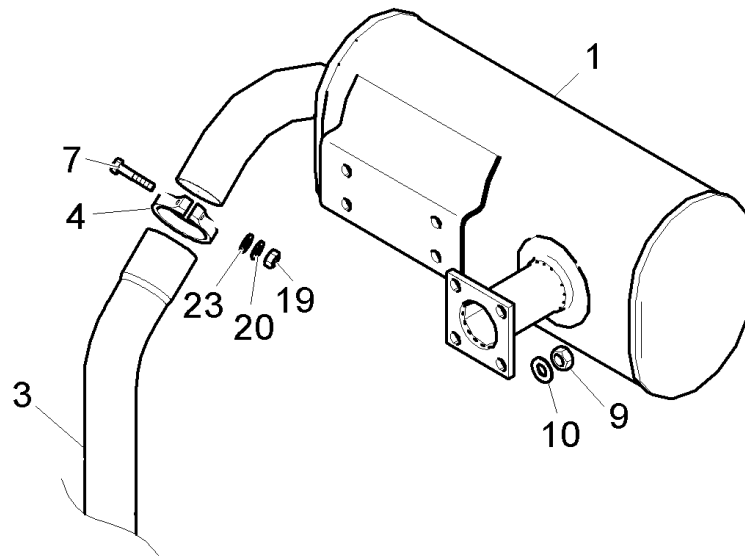
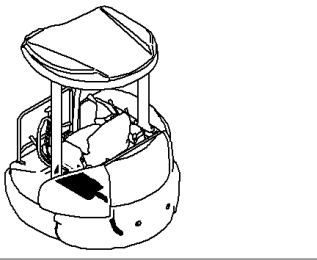
CX50B MINI CRAWLER EXCAVATOR (N5GN01157 & AFTER) (6/05-)

0.001A(01) AIR CLEANER

Ref	Part Number	Qty	Description
1	72283517	1	BODY,
2	72283518	1	COVER ASSY,
3	72280584	1	PLUG,
4	72280585	1	INDICATOR,
5	72281617	1	FILTER, ELEMENT,
6	72281613	1	FILTER, ELEMENT,

AIR CLEANER, ASSY P/N 72283516

0.002(01) MUFFLER

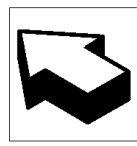
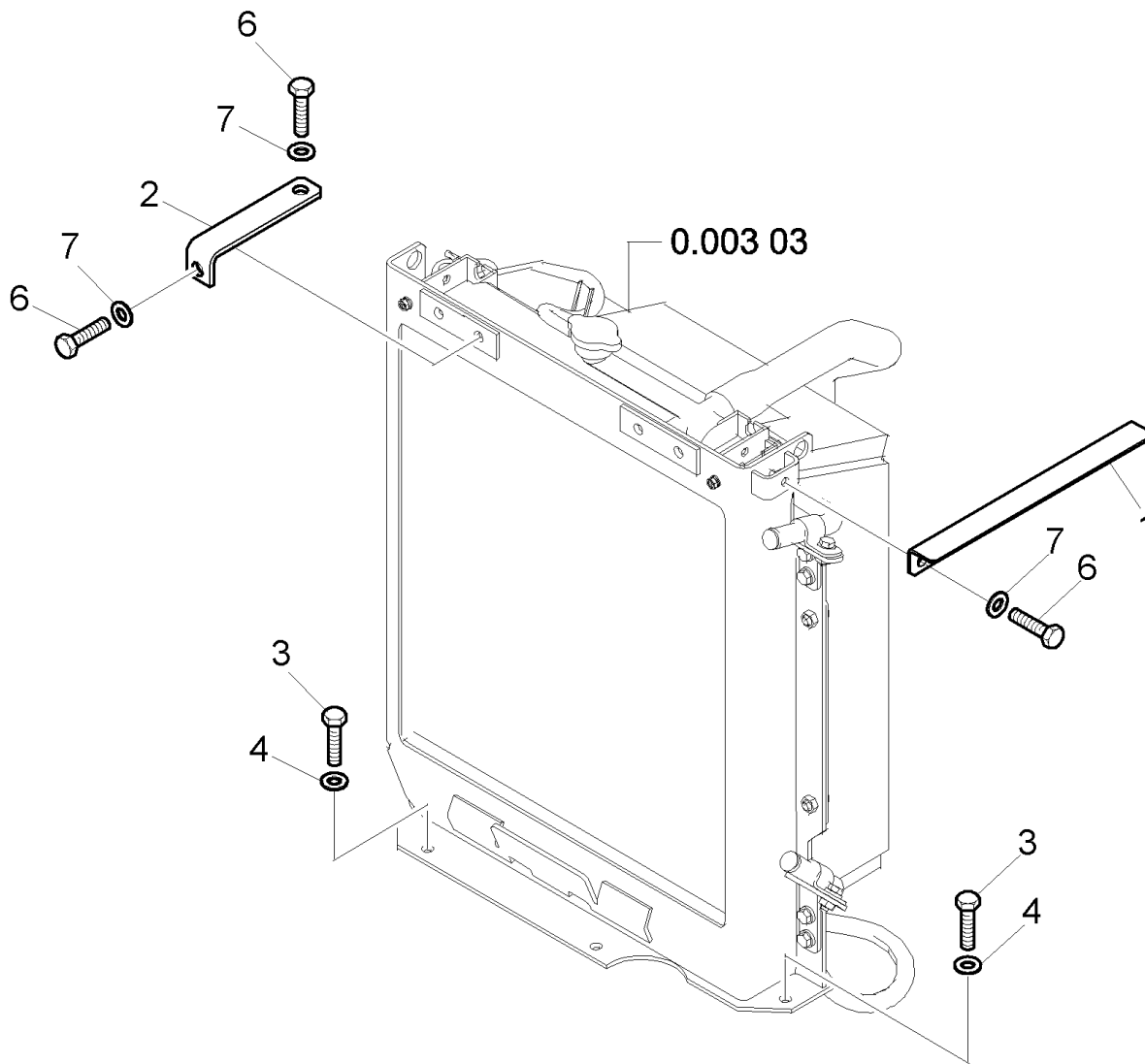
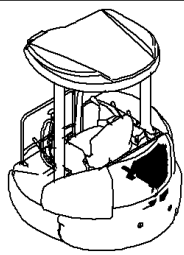


CX50B MINI CRAWLER EXCAVATOR (N5GN01157 & AFTER) (6/05-)

0.002(01) MUFFLER

Ref	Part Number	Qty	Description
1	72283529	1	MUFFLER,
3	72283530	1	PIPE, EXHAUST SYSTEM,
4	87540125	1	CLAMP,
7	11107434	1	SCREW, TE M10x60
8	10571779	3	WASHER, LOCK, $\text{W}8$
9	16100824	12	NUT, M8, CI 10,
10	14496521	4	WASHER, M8 x 17 x 1.6,
14	16043434	8	SCREW, Hex, M8 x 20, 10.9, Full Thd, TE M8x20
15	72285129	1	COVER,
16	72283533	1	COVER,
18	87540004	1	BRACKET,
19	11701724	1	NUT, M10
20	10571879	1	WASHER, LOCK, M10,
22	16043834	1	SCREW, Hex, M8 x 30, 10.9, Full Thd, M8x30
23	12626221	9	WASHER, $\text{W}10$
24	12654421	10	WASHER, $\text{W}8$
26	87540065	1	PLATE,
27	72201251	1	U-BOLT,
28	11106234	4	SCREW, Hex, M10 x 25, 10.9, Full Thd,
30	11106434	2	SCREW, Hex, M10 x 30, 10.9, Full Thd,
31	11106034	2	SCREW, Hex, M10 x 20, 10.9, Full Thd,
32	12646721	3	WASHER, M8 x 20 x 2,

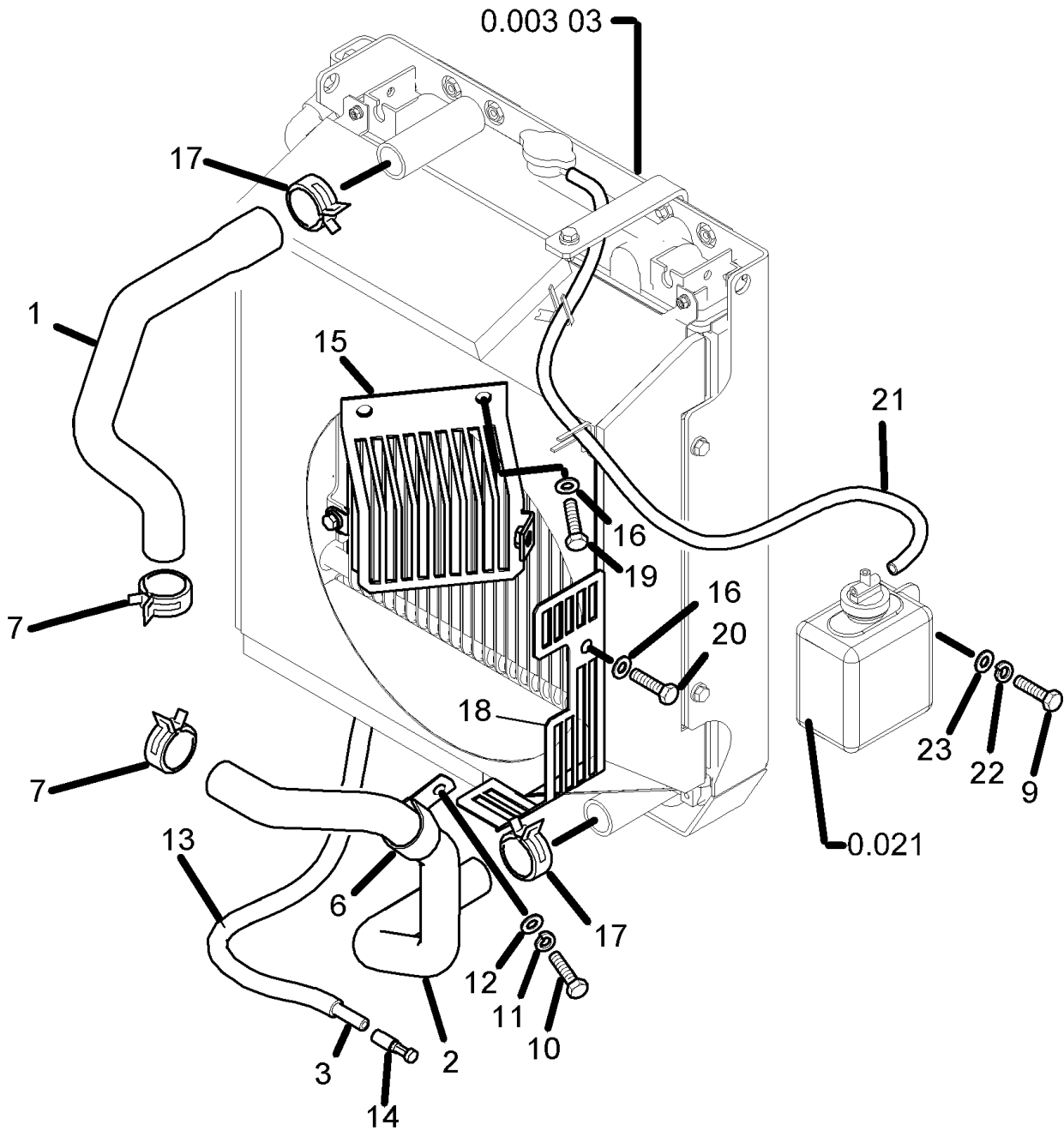
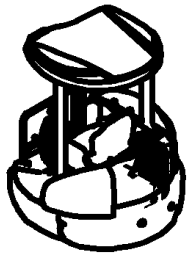
0.003(01) RADIATOR - INSTAL



0.003(01) RADIATOR - INSTAL

Ref	Part Number	Qty	Description
1	72283492	1	STAY,
2	72283493	1	STAY,
3	11106434	3	SCREW, Hex, M10 x 30, 10.9, Full Thd,
4	12626201	3	WASHER, M10 x 25 x 3,
6	16043634	4	SCREW, Hex, M8 x 25, 10.9, Full Thd, TE M8x25
7	12654401	4	WASHER, M8 x 17 x 3,

0.003(02) RADIATOR

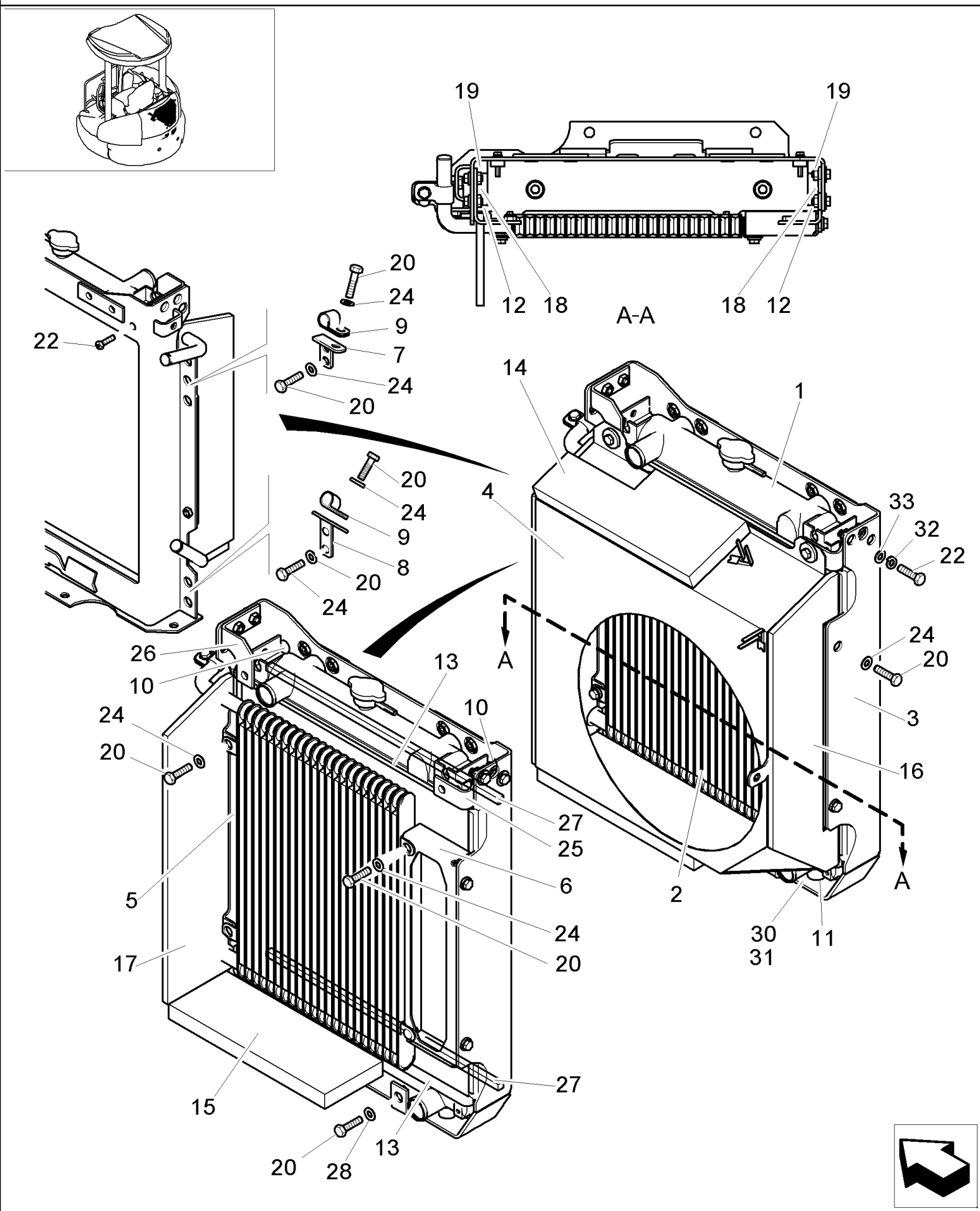


CX50B MINI CRAWLER EXCAVATOR (N5GN01157 & AFTER) (6/05-)

0.003(02) RADIATOR

Ref	Part Number	Qty	Description
1	72283486	1	HOSE, LARGE,
2	72283487	1	HOSE, LARGE,
6	71421085	1	CLIP,
7	13425577	2	CLIP, HOSE,
9	10902434	2	BOLT, Hex, M6 x 20, 10.9, Full Thd,
10	16043434	1	SCREW, Hex, M8 x 20, 10.9, Full Thd, TE M8x20
11	10571779	1	WASHER, LOCK, $\text{M}8$
12	72209113	1	WASHER, $\text{M}8$
13	72955943	1	HOSE, FLEXIBLE,
14	72280535	1	PLUG,
15	72283488	1	GUARD,
16	14496521	4	WASHER, M8 x 17 x 1.6,
17	72283489	2	CLIP,
18	72283490	1	GUARD,
19	16043834	2	SCREW, Hex, M8 x 30, 10.9, Full Thd, M8x30
20	16043234	2	SCREW, Hex, M8 x 16, 10.9, Full Thd, TE M8x16
21	72283543	1	HOSE, FLEXIBLE,
22	10571579	2	WASHER, LOCK, M6,
23	10519421	2	WASHER, M6 x 11.95 x 1.6,

0.003(03) RADIATOR - COMPONENTS



RADIATOR ASSY P/N 72171456

CX50B MINI CRAWLER EXCAVATOR (N5GN01157 & AFTER) (6/05-)

0.003(03) RADIATOR - COMPONENTS

Ref	Part Number	Qty	Description
1	72283495	1	RADIATOR,
2	72283496	1	COOLER, OIL,
3	72283497	1	SET OF PARTS,
4	72283498	1	SHROUD,
5	87538355	1	BRACKET,
6	87538369	1	BRACKET,
7	87538376	1	BRACKET,
8	87538381	1	SET OF PARTS,
9	87538383	2	PLATE,
10	87538390	2	SPACER,
11	72953053	2	GASKET,
12	72283504	2	JOINT, RUBBER,
13	72283505	2	JOINT, RUBBER,
14	72283506	1	INSULATOR,
15	72283507	1	INSULATOR,
16	72283508	1	INSULATOR,
17	72283509	1	INSULATOR,
18	72283510	2	INSULATOR,
19	72283511	2	INSULATOR,
20	16043434	22	SCREW, Hex, M8 x 20, 10.9, Full Thd, TE M8x20
22	10902834	2	SCREW, TE M6x30
24	12654421	16	WASHER, $\text{W}8$
25	87538394	1	SET OF PARTS,
26	87538396	1	SET OF PARTS,
27	72283514	2	JOINT, RUBBER,
28	72950687	4	WASHER,
29	72209113	2	WASHER,
30	72285126	1	GASKET,
31	72285127	1	GASKET,
32	10571579	2	WASHER, LOCK, M6,
33	10519421	2	WASHER, M6 x 11.95 x 1.6,

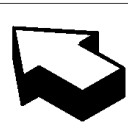
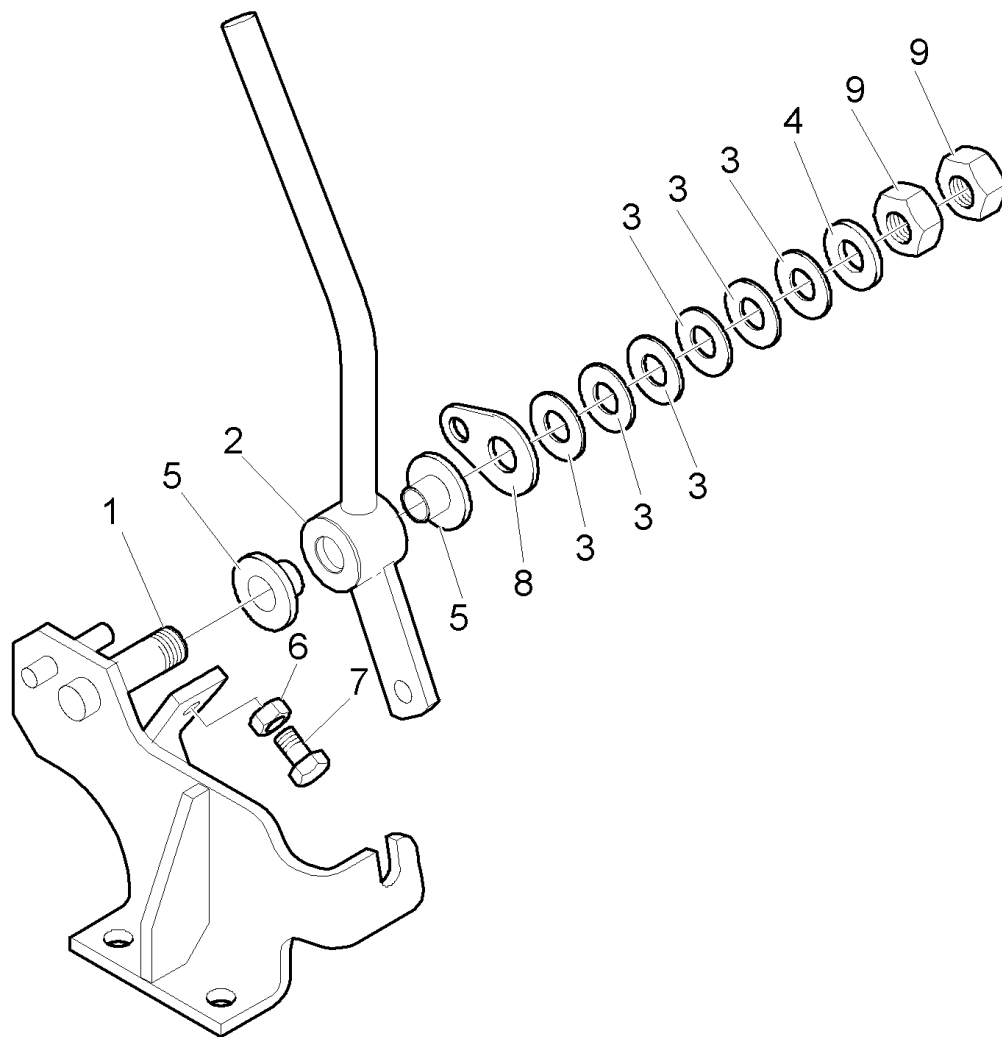
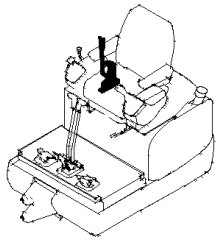
RADIATOR ASSY P/N 72171456

CX50B MINI CRAWLER EXCAVATOR (N5GN01157 & AFTER) (6/05-)

0.004(01) CONTROL ASSY ENGINE (WITH DECEL)

Ref	Part Number	Qty	Description
1	72285118	1	LEVER, Assy, See Page 0.004A
2	72283591	1	CABLE, FLEXIBLE,
3	72285133	1	LINK, , See Page 0.004B
4	72270424	1	HANDLE,
5	72964388	1	GROMMET,
6	72280677	1	PIN,
7	72285138	1	PIN,
8	72283597	1	MOTOR, ELECTRIC, , See Page 0.004C
9	10977534	1	BOLT, Hex, M5 x 10, 10.9, Full Thd,
10	72275189	1	PIN, SPLIT (COTTER),
11	72273643	1	SWITCH,
12	16043434	6	SCREW, Hex, M8 x 20, 10.9, Full Thd, TE M8x20
14	11106034	1	SCREW, Hex, M10 x 20, 10.9, Full Thd,
15	72286399	1	RING, D=6
16	14496521	7	WASHER, M8 x 17 x 1.6,
18	72280681	1	GROMMET,
17	72957042	1	HOSE, FLEXIBLE,
20	87542540	1	PLATE,
21	87542546	1	PLATE,
22	13550221	1	WASHER, $\text{W}6$
23	10571579	1	WASHER, LOCK, M6,
24	10902134	1	SCREW, Hex, M6 x 14, 10.9, Full Thd,
25	71405774	1	COLLAR, RETAINER,
26	10571779	6	WASHER, LOCK, $\text{W}8$
27	10571879	1	WASHER, LOCK, M10,
28	14496621	1	WASHER, M10 x 21 x 2,
29	14560187	2	COLLAR,

0.004A(01) LEVER ASSY THROTTLE - COMPONENTS

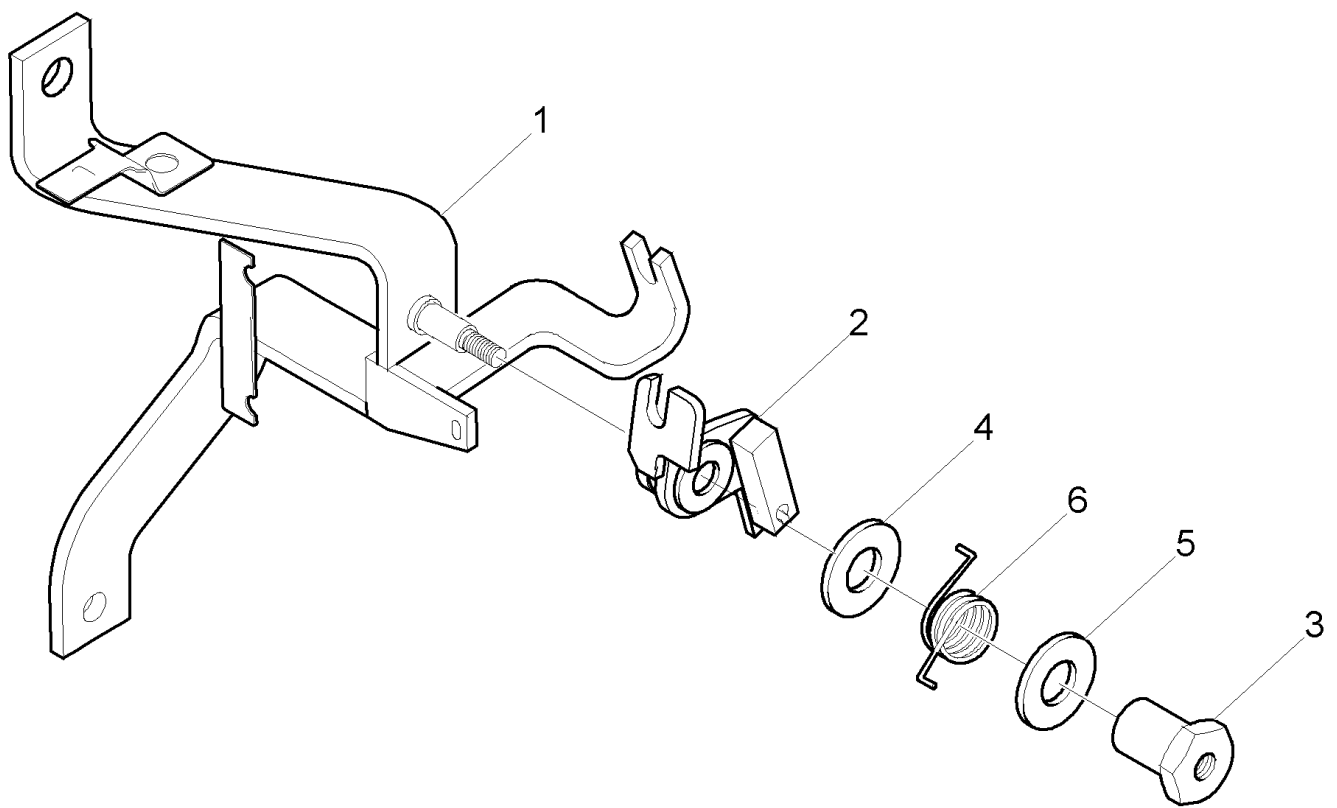
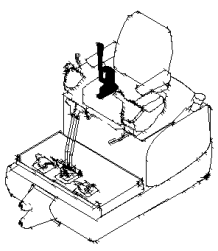


0.004A(01) LEVER ASSY THROTTLE - COMPONENTS

Ref	Part Number	Qty	Description
1	72285131	1	BRACKET,
2	72285132	1	LEVER,
3	72951517	6	WASHER,
4	72283448	1	WASHER,
5	72283050	2	BUSHING,
6	72210038	1	NUT, M8
7	72950380	1	SCREW, TE M8x30
8	72950947	1	PLATE,
9	72951654	2	NUT, M12

LEVER ASSY THROTTLE P/N 72285118

0.004B(01) LINK ASSY - COMPONENTS

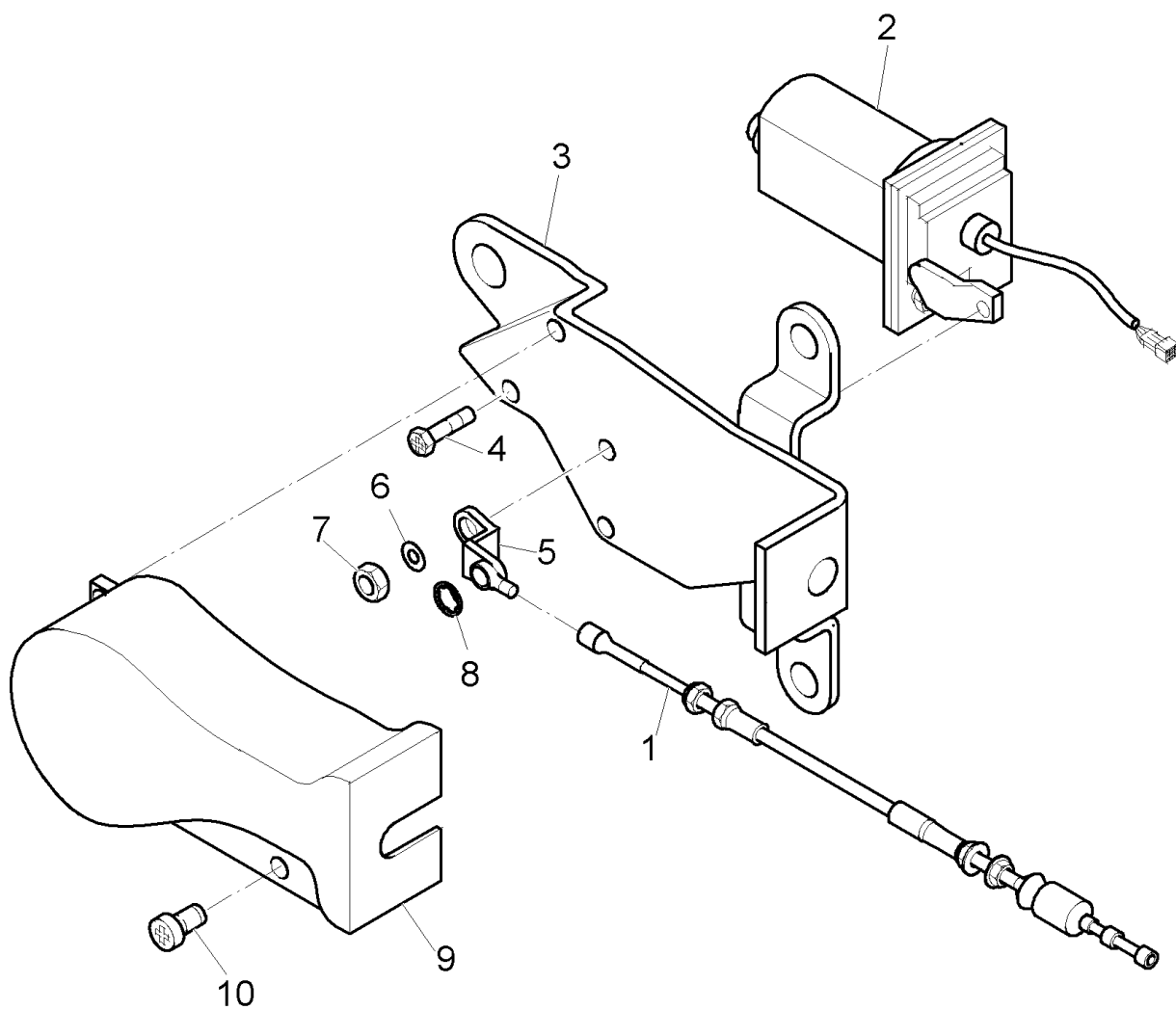


0.004B(01) LINK ASSY - COMPONENTS

Ref	Part Number	Qty	Description
1	72285134	1	BRACKET,
2	72285135	1	LINK,
3	72281534	1	NUT,
4	72281535	1	WASHER,
5	72281536	1	WASHER,
6	72285137	1	SPRING,

LINK ASSY P/N 72285133

0.004C(1) MOTOR GOVERNOR ASSY - COMPONENTS



0.004C(1) MOTOR GOVERNOR ASSY - COMPONENTS

Ref	Part Number	Qty	Description
1	72283616	1	CABLE,
2	72280684	1	MOTOR, ELECTRIC, SMALL,
3	72280685	1	BRACKET,
4	72280686	3	SCREW,
5	72280687	1	LEVER,
6	72280688	1	WASHER, LOCK,
7	72280689	1	NUT,
8	72280690	1	RING,
9	72280691	1	COVER,
10	72280692	2	SCREW,

MOTOR GOVERNOR ASSY P/N 72283597



Suggest:

If the above button click is invalid.

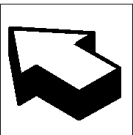
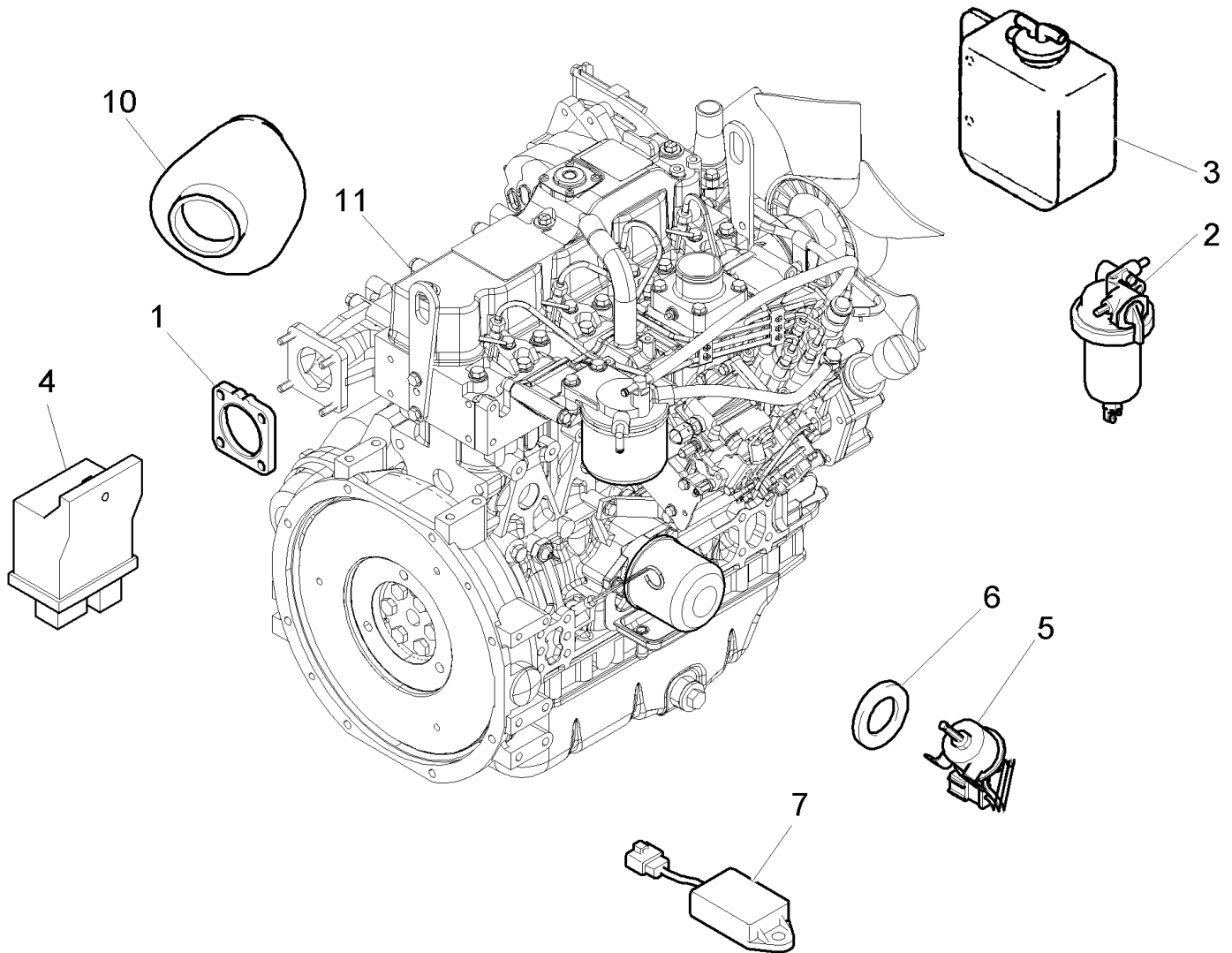
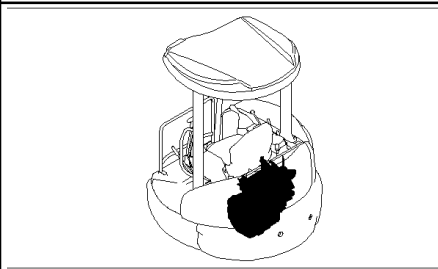
Please download this document

first, and then click the above link

to download the complete manual.

Thank you so much for reading

0.021(01) DIESEL ENGINE - KIT



<https://www.ebooklibonline.com>

Hello dear friend!

Thank you very much for reading.

Enter the link into your browser.

The full manual is available for immediate download.

<https://www.ebooklibonline.com>