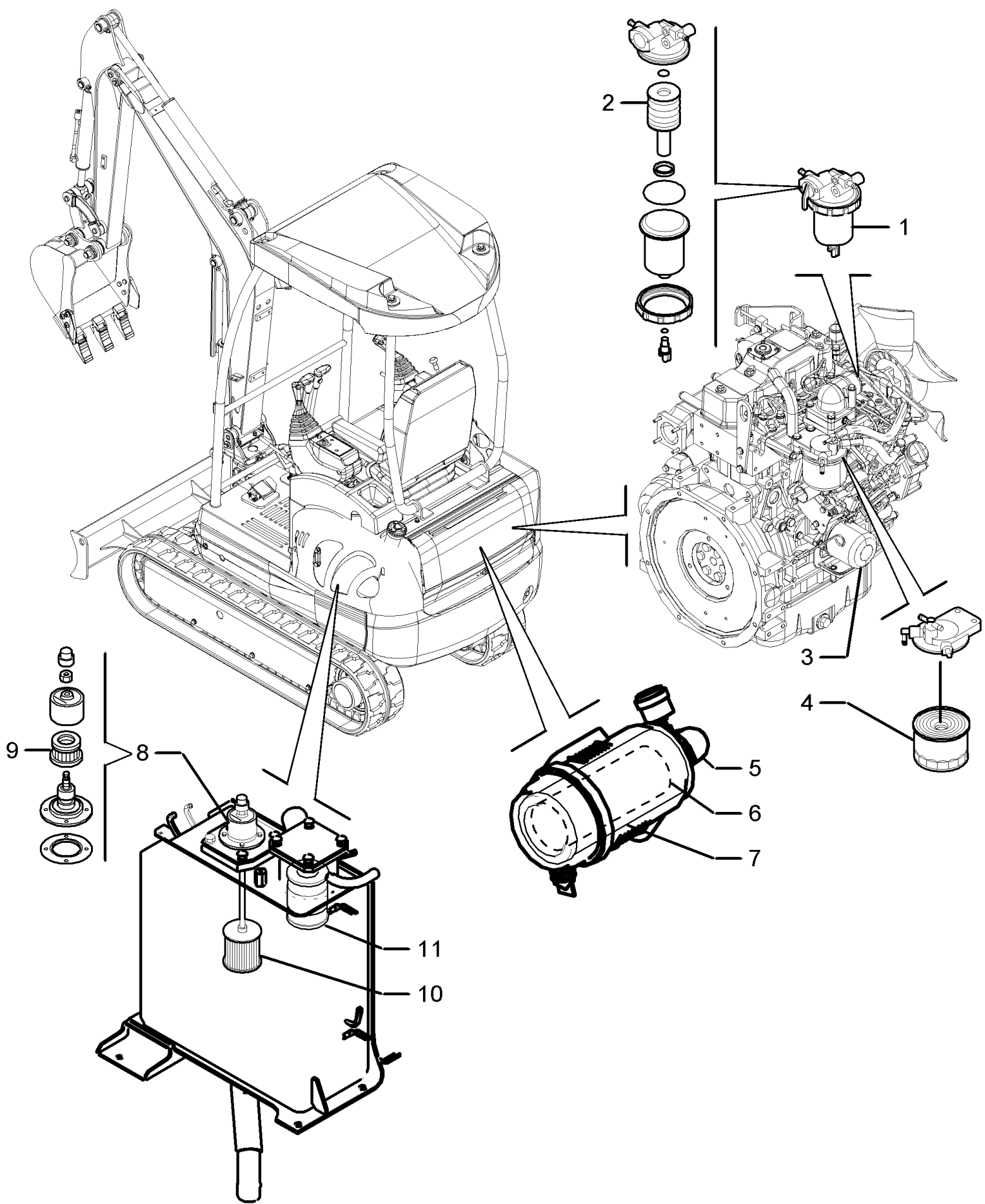




PARTS CATALOGUE

CX31B
CASE MINI CRAWLER EXCAVATOR
(N5GN00812 AND AFTER)



0.000(00) MAINTENANCE PARTS

Ref	Part Number	Qty	Description
1	72280600	1	SEPARATOR, , See Page 0.021 - 0.203
2	72280430	1	FILTER, COOLANT, , See Page 0.021 - 0.203
3	72285425	1	FILTER, ENGINE OIL, , See Page 0.305
4	72280422	1	FILTER, FUEL, , See Page 0.021 - 0.203
5	72280589	1	FILTER ASSY., , See Page 0.001A
6	72285434	1	ELEMENT, , See Page 0.001A
7	72285431	1	FILTER, ELEMENT, , See Page 0.001A
8	72284639	1	PLUG, , See Page 1.020 02
9	72281517	1	BREATHER, , See Page 1.020 02
10	72282237	1	STRAINER, ELEMENT, , See Page 1.020 02
11	72285428	1	KIT,

<https://www.ebooklibonline.com>

Hello dear friend!

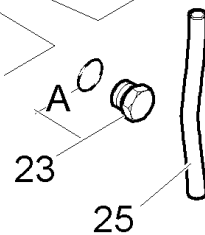
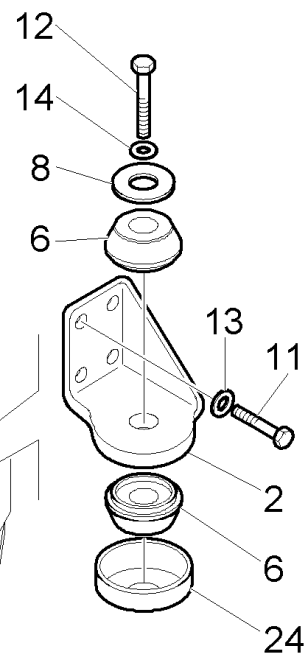
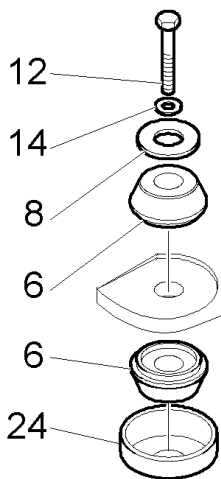
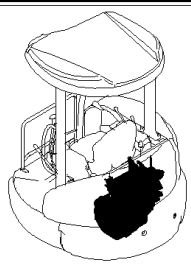
Thank you very much for reading.

Enter the link into your browser.

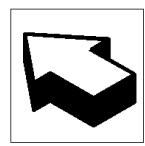
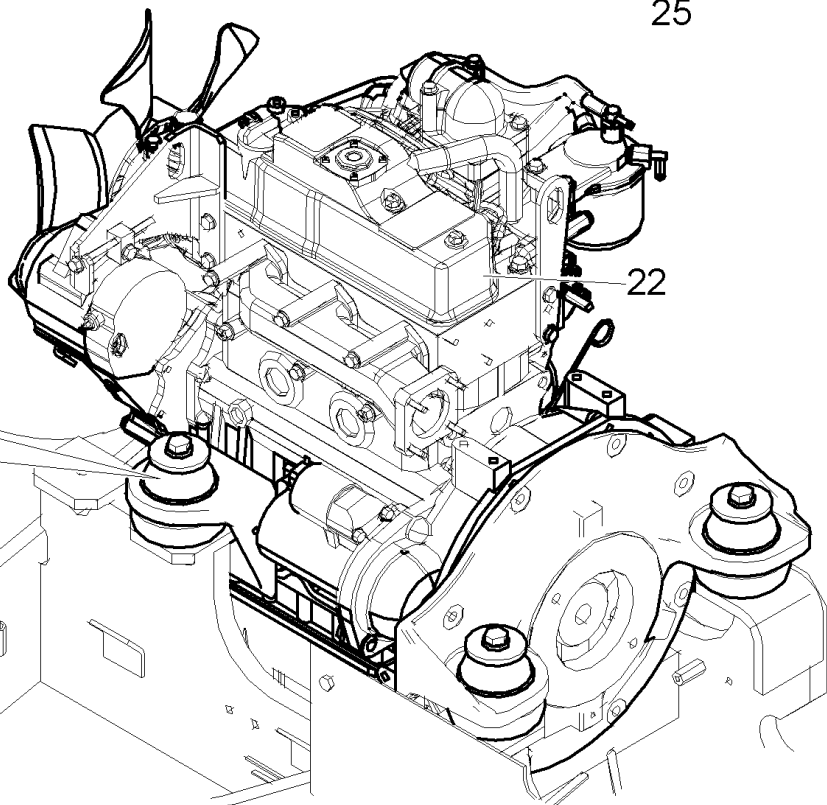
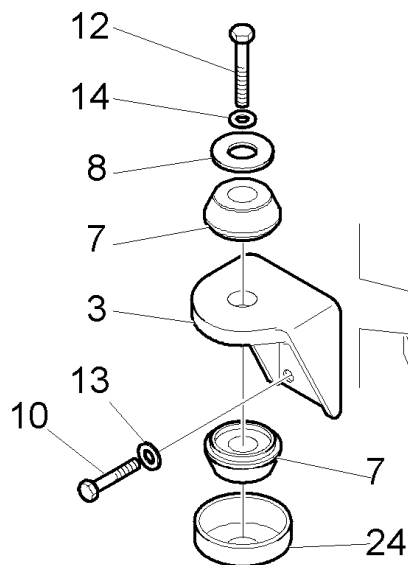
The full manual is available for immediate download.

<https://www.ebooklibonline.com>

0.000(01) ENGINE INSTALLATIONS



1.000

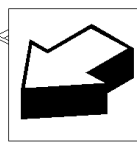
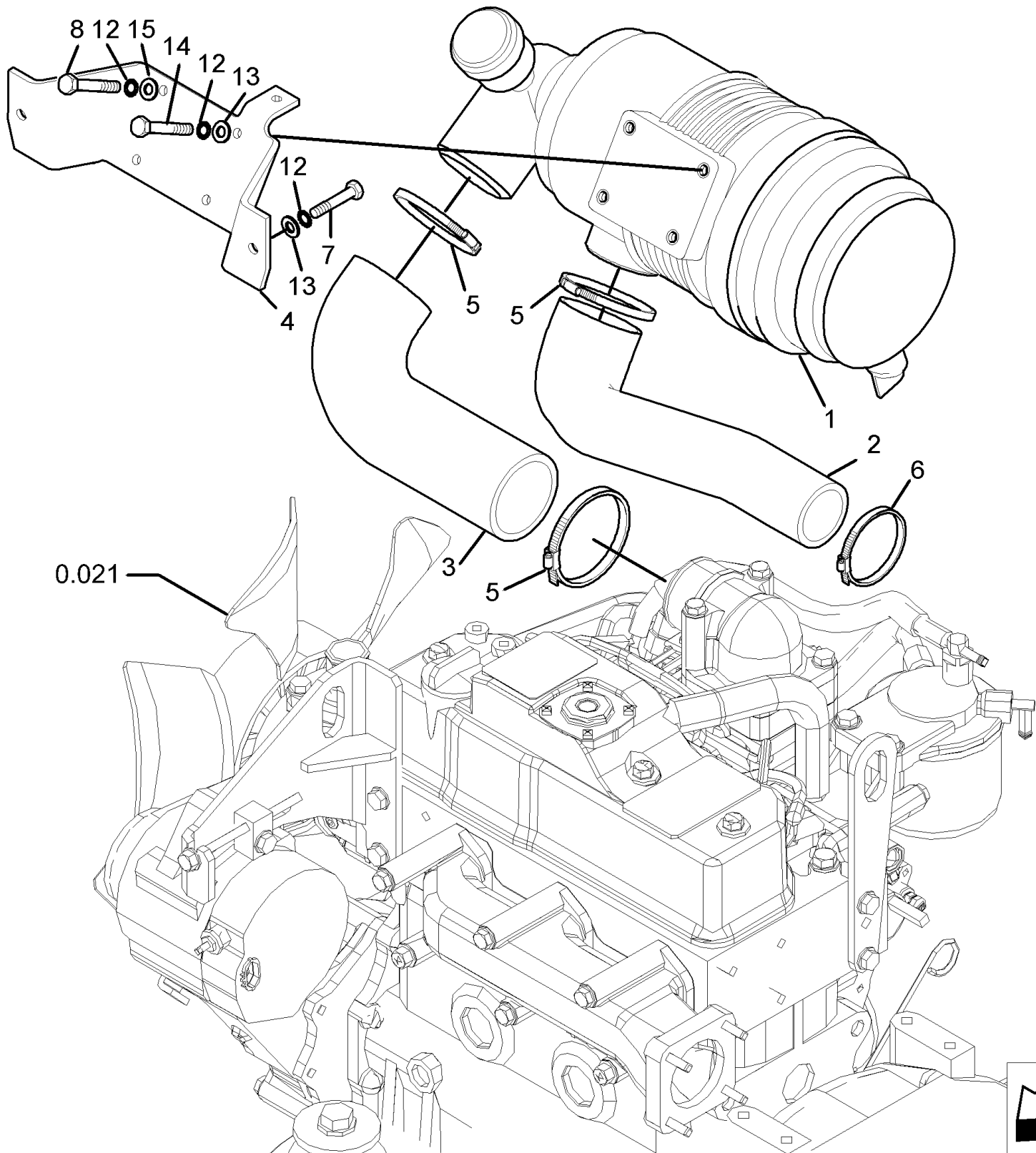
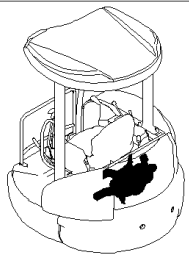


CX31B MINI CRAWLER EXCAVATOR (N5GN00812 & AFTER) (4/05-)

0.000(01) ENGINE INSTALLATIONS

Ref	Part Number	Qty	Description
2	72280518	1	BRACKET,
3	72280519	1	BRACKET,
6	72280520	6	MOUNTING, RUBBER,
7	72280521	2	MOUNTING, RUBBER,
8	72951034	4	WASHER,
10	11106234	4	SCREW, Hex, M10 x 25, 10.9, Full Thd,
11	11106434	4	SCREW, Hex, M10 x 30, 10.9, Full Thd,
12	11114634	4	SCREW, TE M12x120
13	12626221	8	WASHER, Ш10
14	14496721	4	WASHER, M12 x 24 x 2.5, 12x24x2,5
22	72280301	1	ENGINE, , See Page 0.021
23	72280522	1	SET OF PARTS,
23A	72280525	1	O-RING,
24	72280528	4	COVER,
25	72280529	1	HOSE,

0.001(01) AIR CLEANER

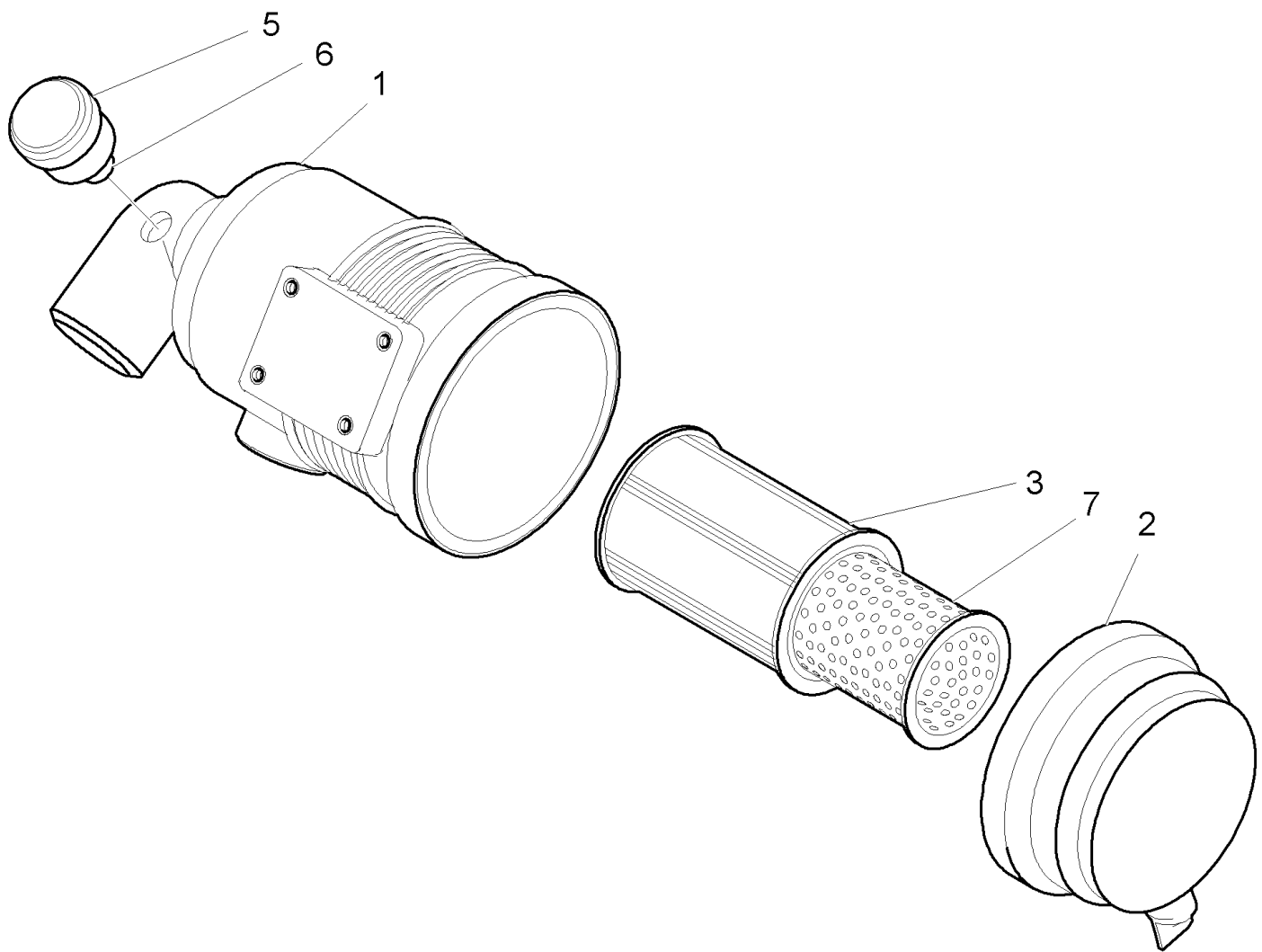
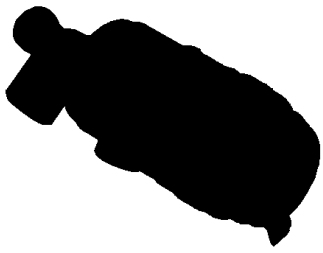


CX31B MINI CRAWLER EXCAVATOR (N5GN00812 & AFTER) (4/05-)

0.001(01) AIR CLEANER

Ref	Part Number	Qty	Description
1	72280589	1	FILTER ASSY., , See Page 0.001A
2	72280586	1	HOSE, LARGE,
3	72280587	1	HOSE, LARGE,
4	87542559	1	BRACKET,
5	87526525	3	CLAMP,
6	87526521	1	CLAMP,
7	16043434	2	SCREW, Hex, M8 x 20, 10.9, Full Thd, TE M8x20
8	16043634	2	SCREW, Hex, M8 x 25, 10.9, Full Thd, TE M8x25
12	10571779	6	WASHER, LOCK, $\text{W}8$
13	14496521	6	WASHER, M8 x 17 x 1.6,
14	16043234	2	SCREW, Hex, M8 x 16, 10.9, Full Thd, TE M8x16
15	12654421	2	WASHER, $\text{W}8$

0.001A(01) AIR CLEANER



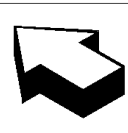
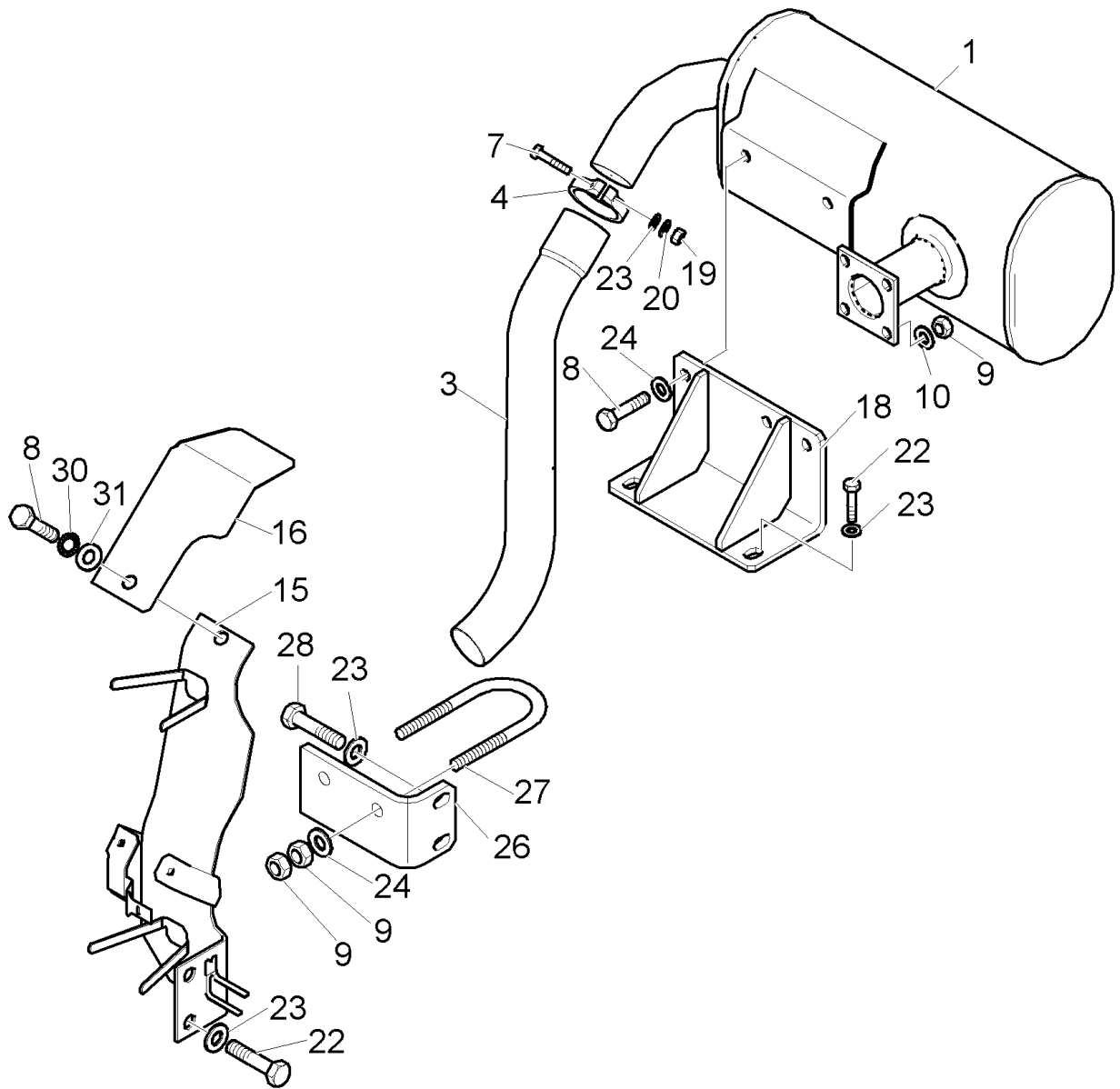
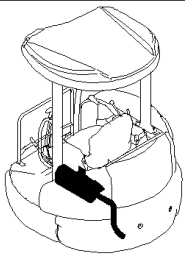
CX31B MINI CRAWLER EXCAVATOR (N5GN00812 & AFTER) (4/05-)

0.001A(01) AIR CLEANER

Ref	Part Number	Qty	Description
1	72280582	1	BODY,
2	72281471	1	COVER ASSY,
3	72285431	1	FILTER, ELEMENT,
5	72280585	1	INDICATOR,
6	87347628	1	PLUG,
7	72285434	1	ELEMENT,

AIR CLEANER, ASSY P/N 72280589

0.002(01) MUFFLER

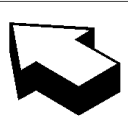
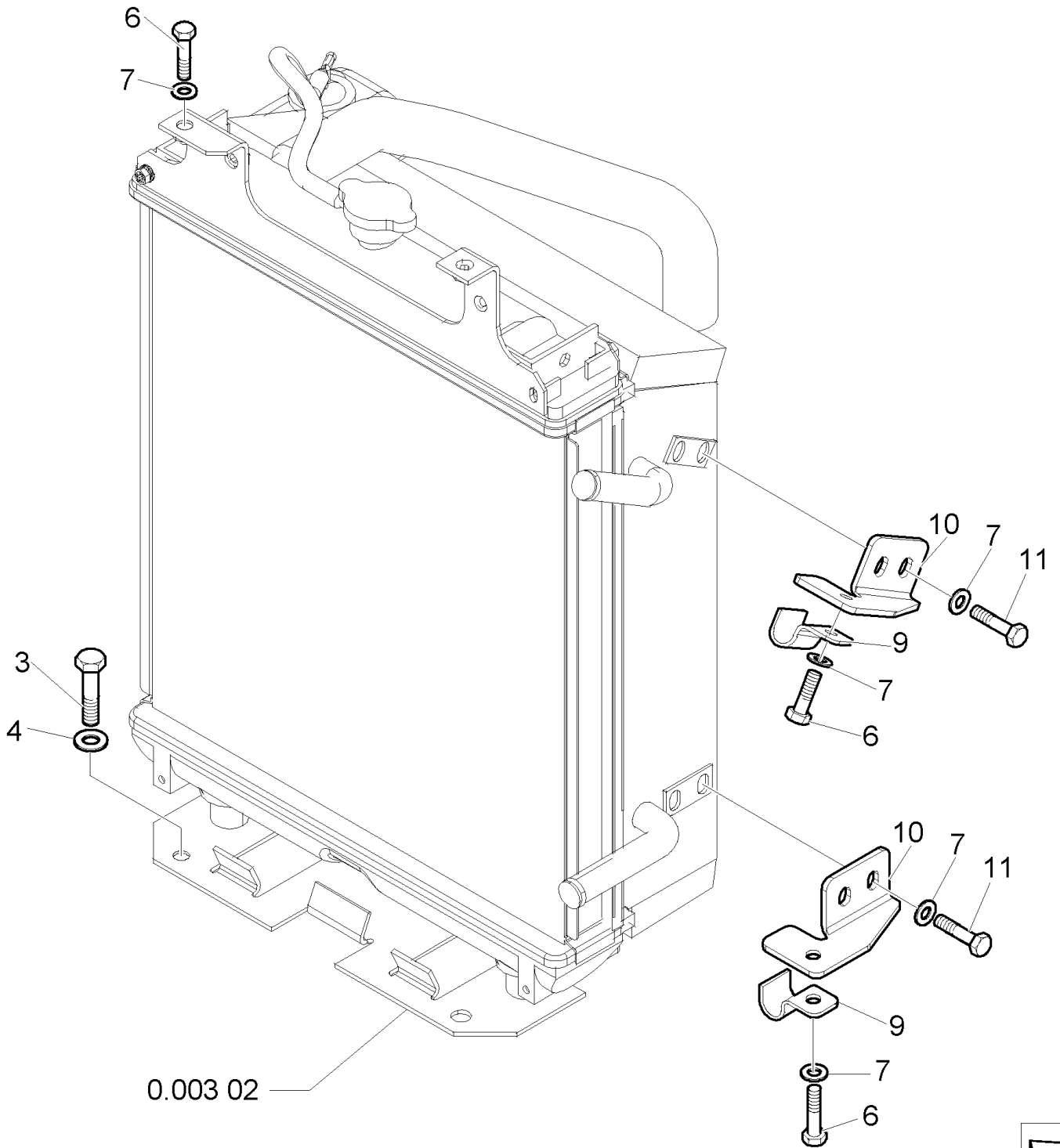
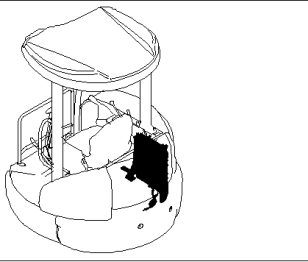


CX31B MINI CRAWLER EXCAVATOR (N5GN00812 & AFTER) (4/05-)

0.002(01) MUFFLER

Ref	Part Number	Qty	Description
1	72280591	1	MUFFLER,
3	72280592	1	PIPE, EXHAUST SYSTEM,
4	87540125	1	CLAMP,
7	11107434	1	SCREW, TE M10x60
8	16043434	7	SCREW, Hex, M8 x 20, 10.9, Full Thd, TE M8x20
9	16100824	8	NUT, M8, CI 10,
10	14496525	4	WASHER, $\text{W}8$
15	72280598	1	COVER,
16	72280594	1	COVER,
18	87540070	1	BRACKET,
19	11701724	1	NUT, M10
20	10571879	1	WASHER, LOCK, M10,
22	11106034	6	SCREW, Hex, M10 x 20, 10.9, Full Thd,
23	12626221	9	WASHER, $\text{W}10$
24	12654421	6	WASHER, $\text{W}8$
26	87540072	1	PLATE,
27	72280597	1	U-BOLT,
28	11106234	2	SCREW, Hex, M10 x 25, 10.9, Full Thd,
30	10571779	3	WASHER, LOCK, $\text{W}8$
31	12646721	3	WASHER, M8 x 20 x 2,

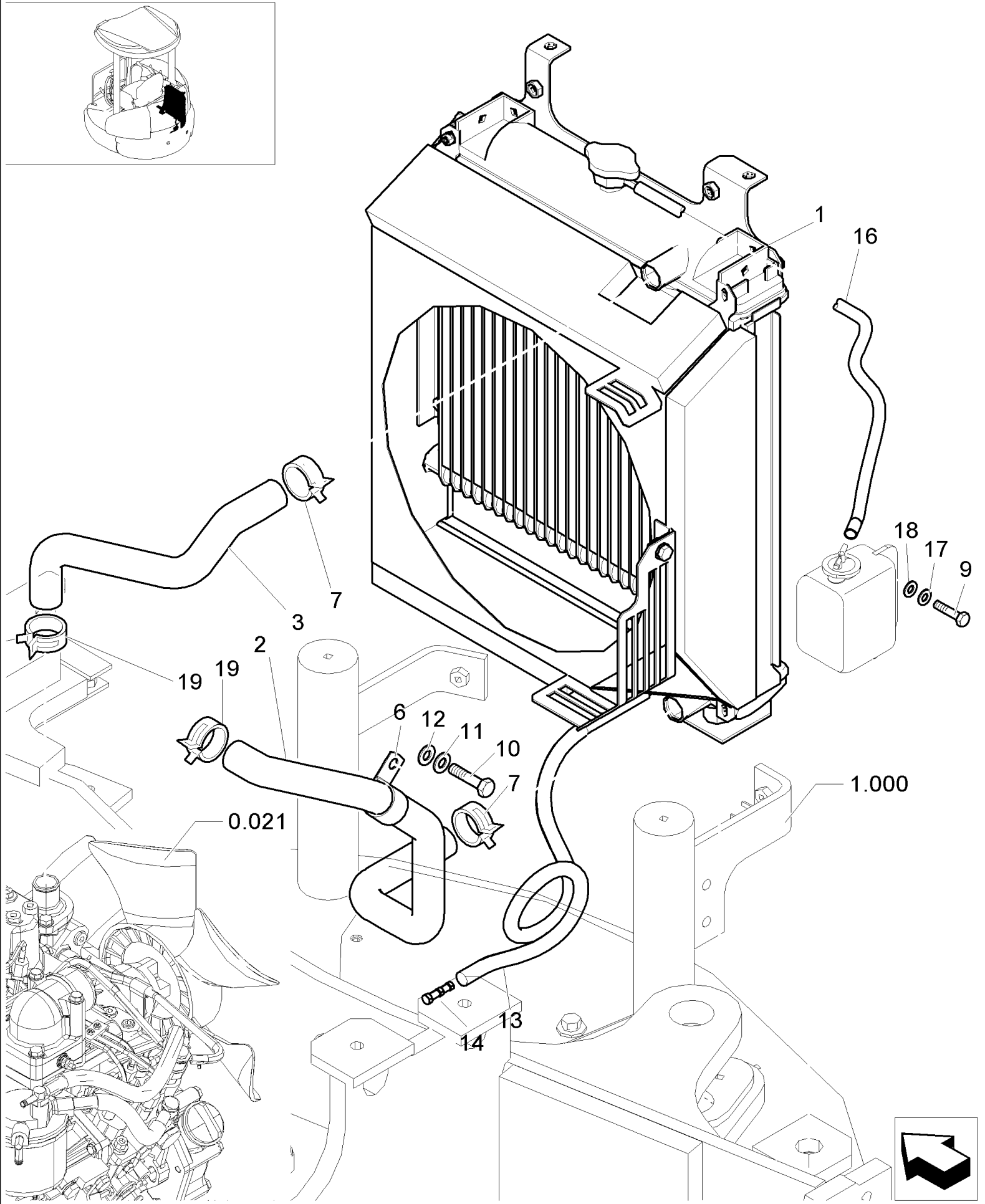
0.003(01) RADIATOR - INSTAL



0.003(01) RADIATOR - INSTAL

Ref	Part Number	Qty	Description
3	11106234	2	SCREW, Hex, M10 x 25, 10.9, Full Thd,
4	12626221	2	WASHER, W10
6	16043434	4	SCREW, Hex, M8 x 20, 10.9, Full Thd, TE M8x20
7	12654421	8	WASHER, W8
9	87548383	2	
10	87538408	2	PLATE,
11	16043234	4	SCREW, Hex, M8 x 16, 10.9, Full Thd, TE M8x16

0.003(02) RADIATOR

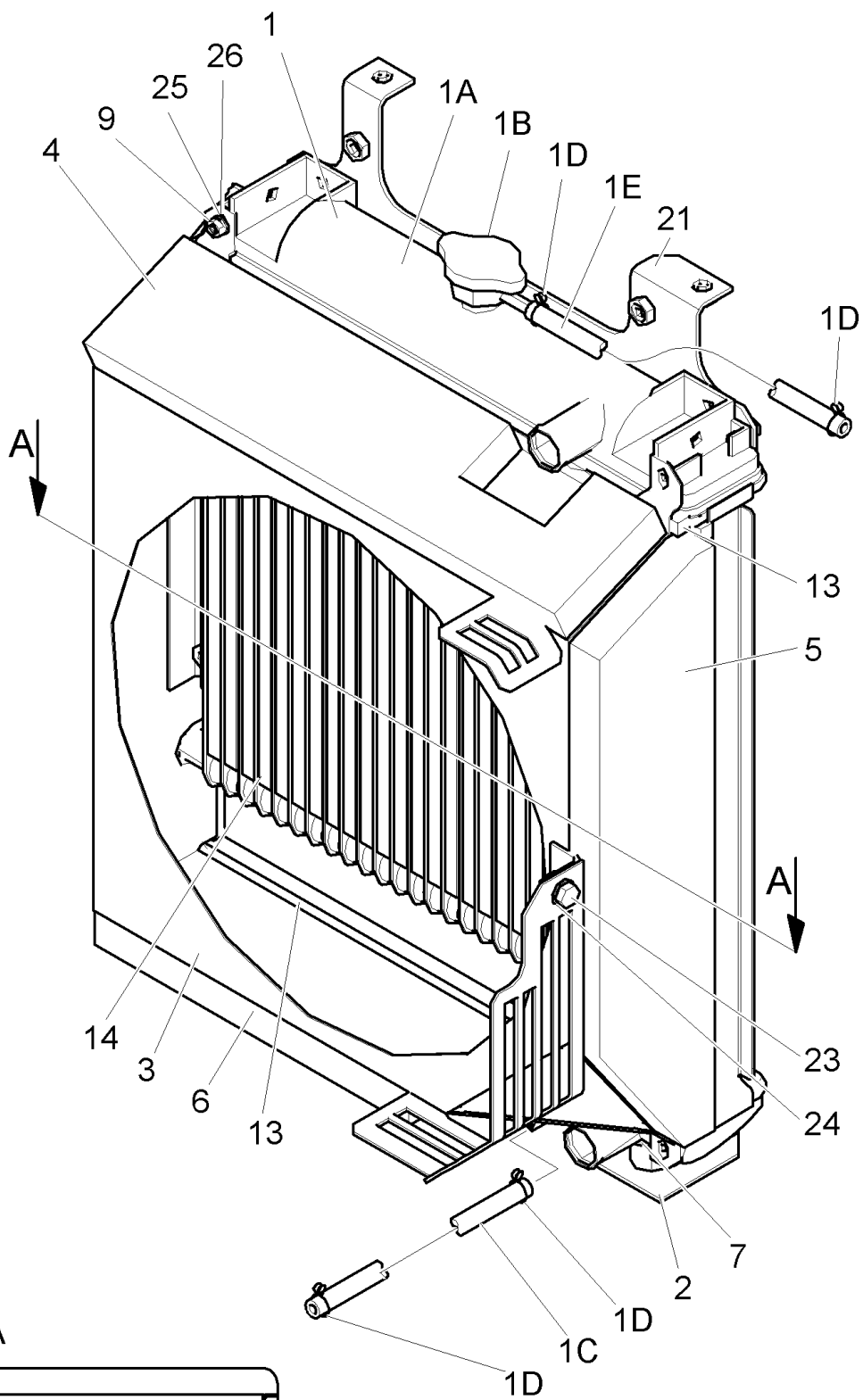
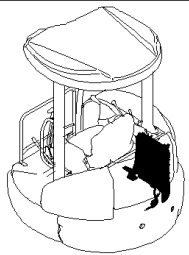


CX31B MINI CRAWLER EXCAVATOR (N5GN00812 & AFTER) (4/05-)

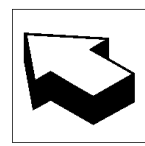
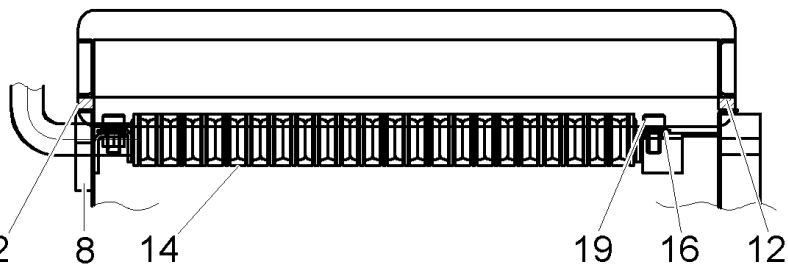
0.003(02) RADIATOR

Ref	Part Number	Qty	Description
1	72171326	1	RADIATOR,
2	72280533	1	HOSE, LARGE,
3	72280534	1	HOSE, LARGE,
6	71421085	1	CLIP,
7	13425577	4	CLIP, HOSE,
9	10902434	2	BOLT, Hex, M6 x 20, 10.9, Full Thd,
10	16043234	1	SCREW, Hex, M8 x 16, 10.9, Full Thd, TE M8x16
11	10571779	1	WASHER, LOCK, ⅓8
12	72209113	1	WASHER, ⅓8
13	72950996	1	TUBE,
14	72280535	1	PLUG,
16	72952548	1	TUBE,
17	10571579	2	WASHER, LOCK, M6,
18	10519421	2	WASHER, M6 x 11.95 x 1.6,
19	87526520	2	CLAMP,

0.003(03) RADIATOR - COMPONENTS



A - A



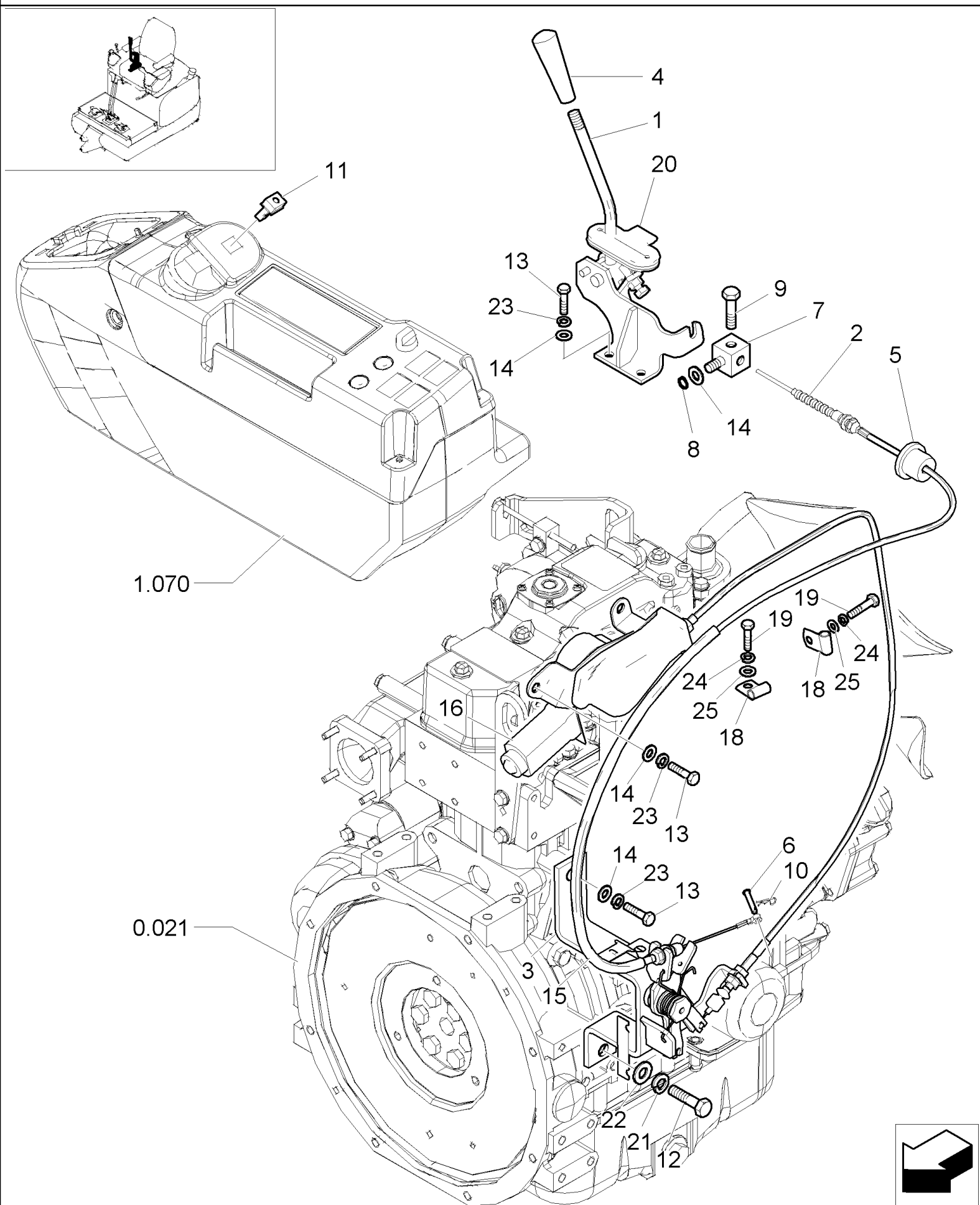
CX31B MINI CRAWLER EXCAVATOR (N5GN00812 & AFTER) (4/05-)

0.003(03) RADIATOR - COMPONENTS

Ref	Part Number	Qty	Description
1	72280541	1	RADIATOR,
1A	72280542	1	RADIATOR,
1B	72951980	1	CAP,
1C	72280581	1	HOSE,
1D	72213766	4	CLIP,
1E	72963126	1	HOSE,
2	87538466	1	BRACKET,
3	72280544	1	SHROUD,
4	72280545	1	INSULATION, FOAM,
5	72280546	1	INSULATION, FOAM,
6	72280547	1	INSULATION, FOAM,
7	72953053	2	GASKET,
8	72280548	2	RUBBER BAND,
9	10902234	6	SCREW, Hex, M6 x 16, 10.9, Full Thd,
10	87538467	1	GUARD,
12	72280576	2	WEATHERSTRIP, RUBBER,
13	72280577	2	WEATHERSTRIP, RUBBER,
14	72280578	1	COOLER, OIL,
16	12638521	4	WASHER, M8 x 15 x 1.5,
19	14306274	4	SCREW, TCE M8x16
21	87538472	1	PLATE,
23	16043234	2	SCREW, Hex, M8 x 16, 10.9, Full Thd, TE M8x16
24	14496521	2	WASHER, M8 x 17 x 1.6,
25	10571579	6	WASHER, LOCK, M6,
26	10519421	6	WASHER, M6 x 11.95 x 1.6,

RADIATOR ASSY P/N 72171326

0.004(01) CONTROL ASSY ENGINE (WITH DECEL)

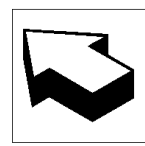
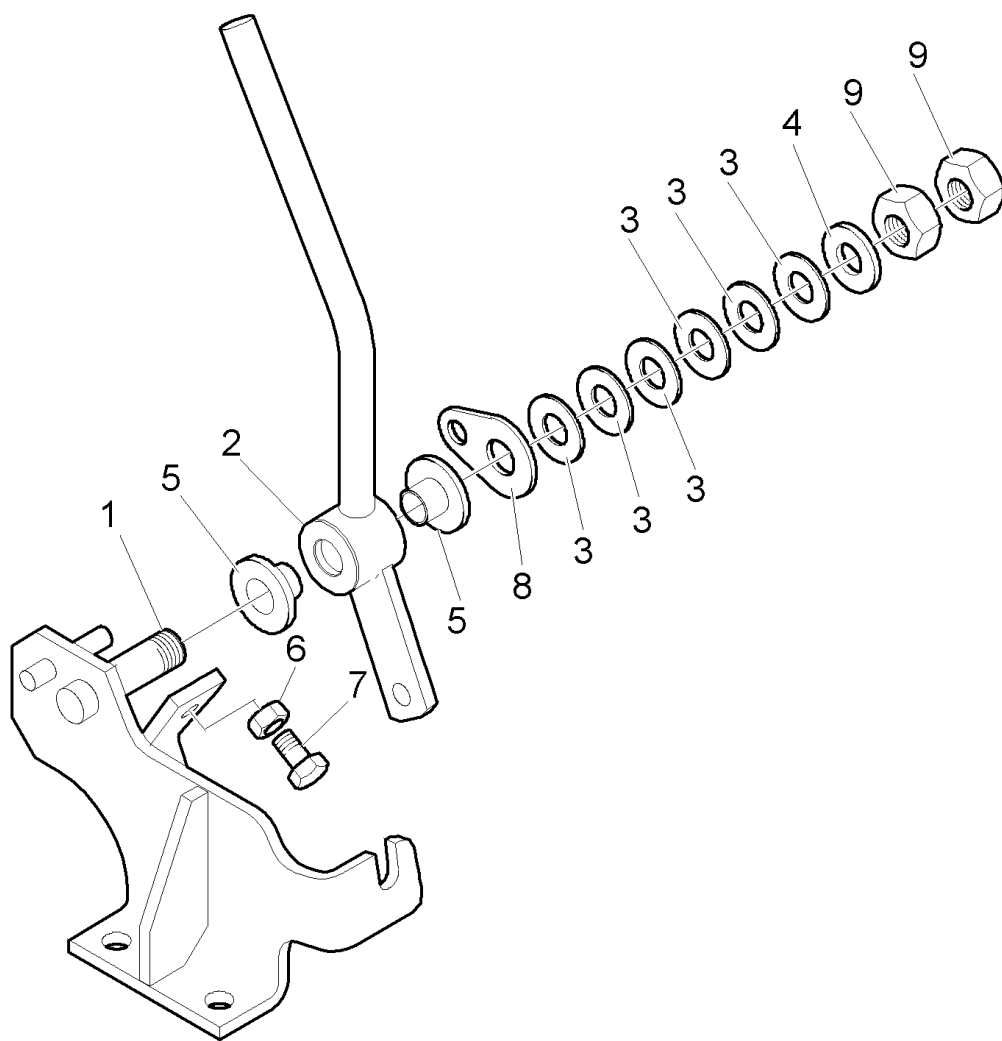
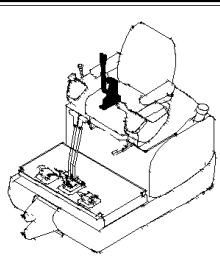


CX31B MINI CRAWLER EXCAVATOR (N5GN00812 & AFTER) (4/05-)

0.004(01) CONTROL ASSY ENGINE (WITH DECEL)

Ref	Part Number	Qty	Description
1	72285118	1	LEVER, Assy, See Page 0.004A
2	72280669	1	CABLE, FLEXIBLE,
3	72280670	1	LEVER, , See Page 0.004B
4	72270424	1	HANDLE,
5	72964388	1	GROMMET,
6	72280677	1	PIN,
7	72285138	1	PIN,
8	72286399	1	RING, D=6
9	10977534	1	BOLT, Hex, M5 x 10, 10.9, Full Thd,
10	72275189	1	PIN, SPLIT (COTTER),
11	72273643	1	SWITCH,
12	11106234	1	SCREW, Hex, M10 x 25, 10.9, Full Thd,
13	16043434	6	SCREW, Hex, M8 x 20, 10.9, Full Thd, TE M8x20
14	14496521	7	WASHER, M8 x 17 x 1.6,
15	72285477	1	TUBE,
16	72280679	1	MOTOR, ELECTRIC, , See Page 0.004C
18	71405774	2	COLLAR, RETAINER,
19	10902234	2	SCREW, Hex, M6 x 16, 10.9, Full Thd,
20	72280681	1	GROMMET,
21	10571879	1	WASHER, LOCK, M10,
22	14496621	1	WASHER, M10 x 21 x 2,
23	10571779	6	WASHER, LOCK, $\text{W}8$
24	10571579	2	WASHER, LOCK, M6,
25	10519421	2	WASHER, M6 x 11.95 x 1.6,

0.004A(01) LEVER ASSY THROTTLE - COMPONENTS



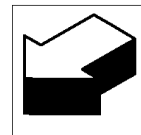
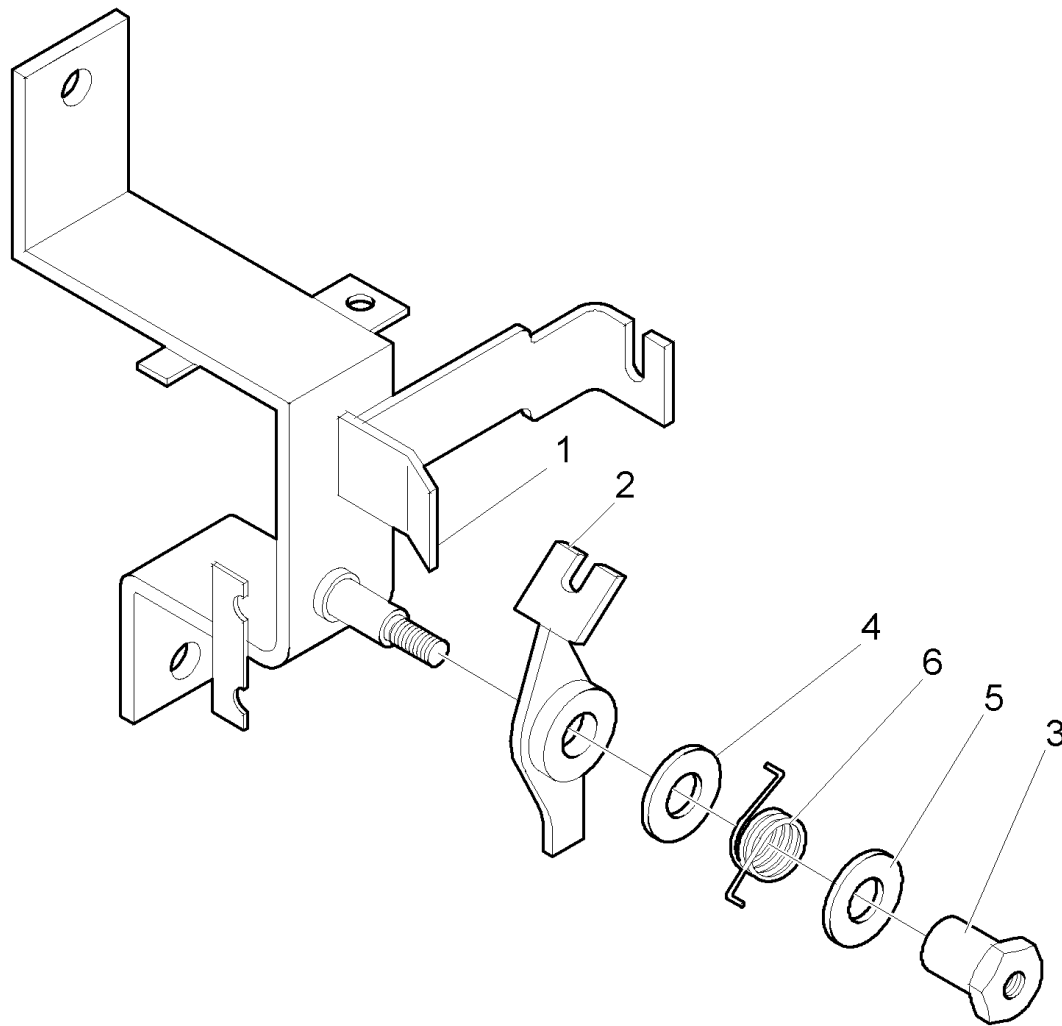
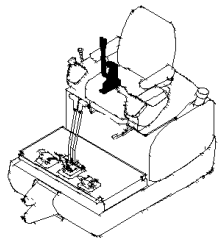
CX31B MINI CRAWLER EXCAVATOR (N5GN00812 & AFTER) (4/05-)

0.004A(01) LEVER ASSY THROTTLE - COMPONENTS

Ref	Part Number	Qty	Description
1	72285131	1	BRACKET,
2	72285132	1	LEVER,
3	72951517	6	WASHER,
4	72283448	1	WASHER,
5	72283050	2	BUSHING,
6	72210038	1	NUT, M8
7	72950380	1	SCREW, TE M8x30
8	72950947	1	PLATE,
9	72951654	2	NUT, M12

LEVER ASSY THROTTLE P/N 72285118

0.004B(01) LINK ASSY - COMPONENTS



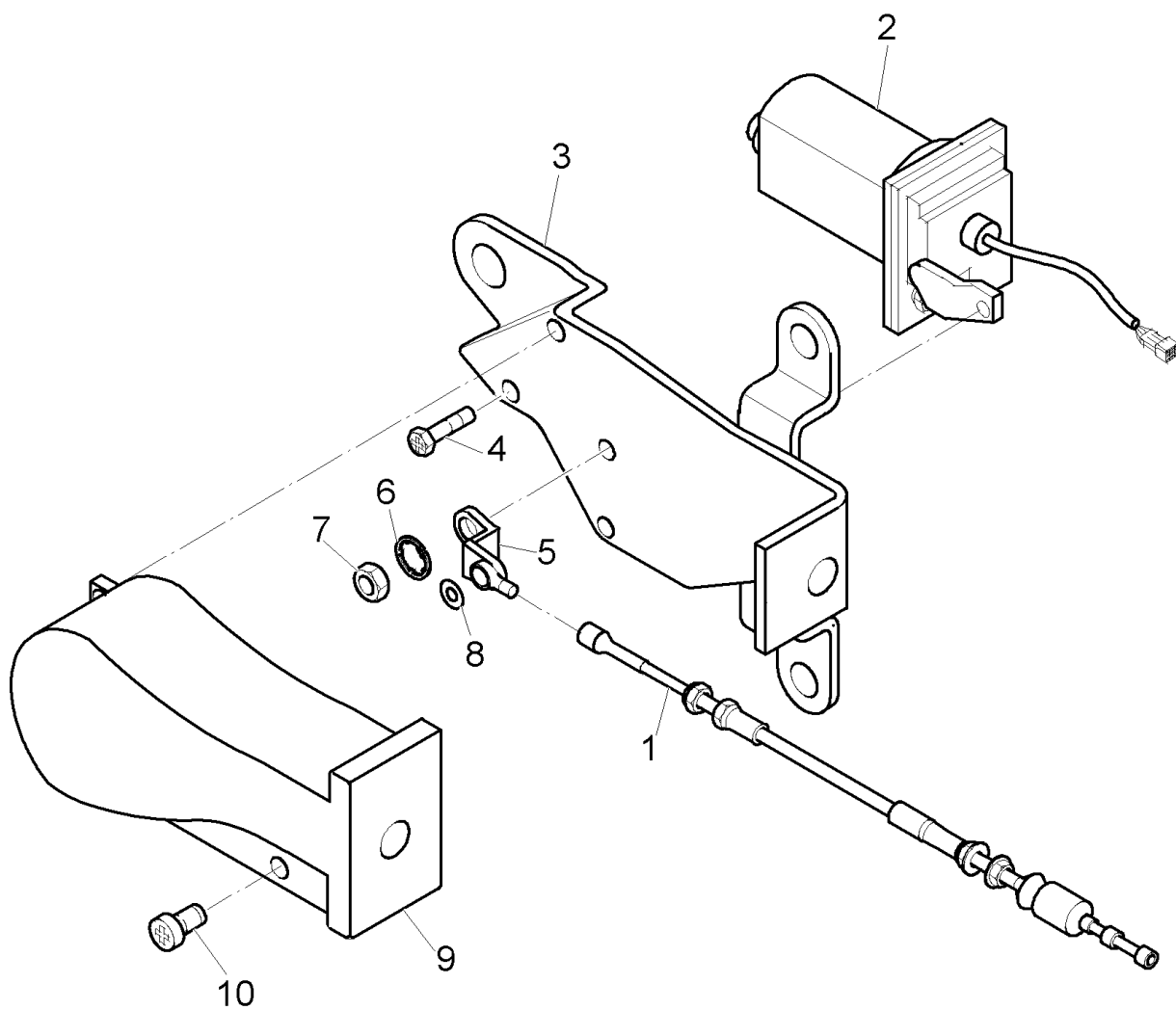
CX31B MINI CRAWLER EXCAVATOR (N5GN00812 & AFTER) (4/05-)

0.004B(01) LINK ASSY - COMPONENTS

Ref	Part Number	Qty	Description
1	72280714	1	BRACKET,
2	72280672	1	LEVER,
3	72281534	1	NUT,
4	72281535	1	WASHER,
5	72281536	1	WASHER,
6	72281537	1	SPRING,

LINK ASSY P/N 72280670

0.004C(1) MOTOR GOVERNOR ASSY - COMPONENTS

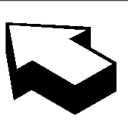
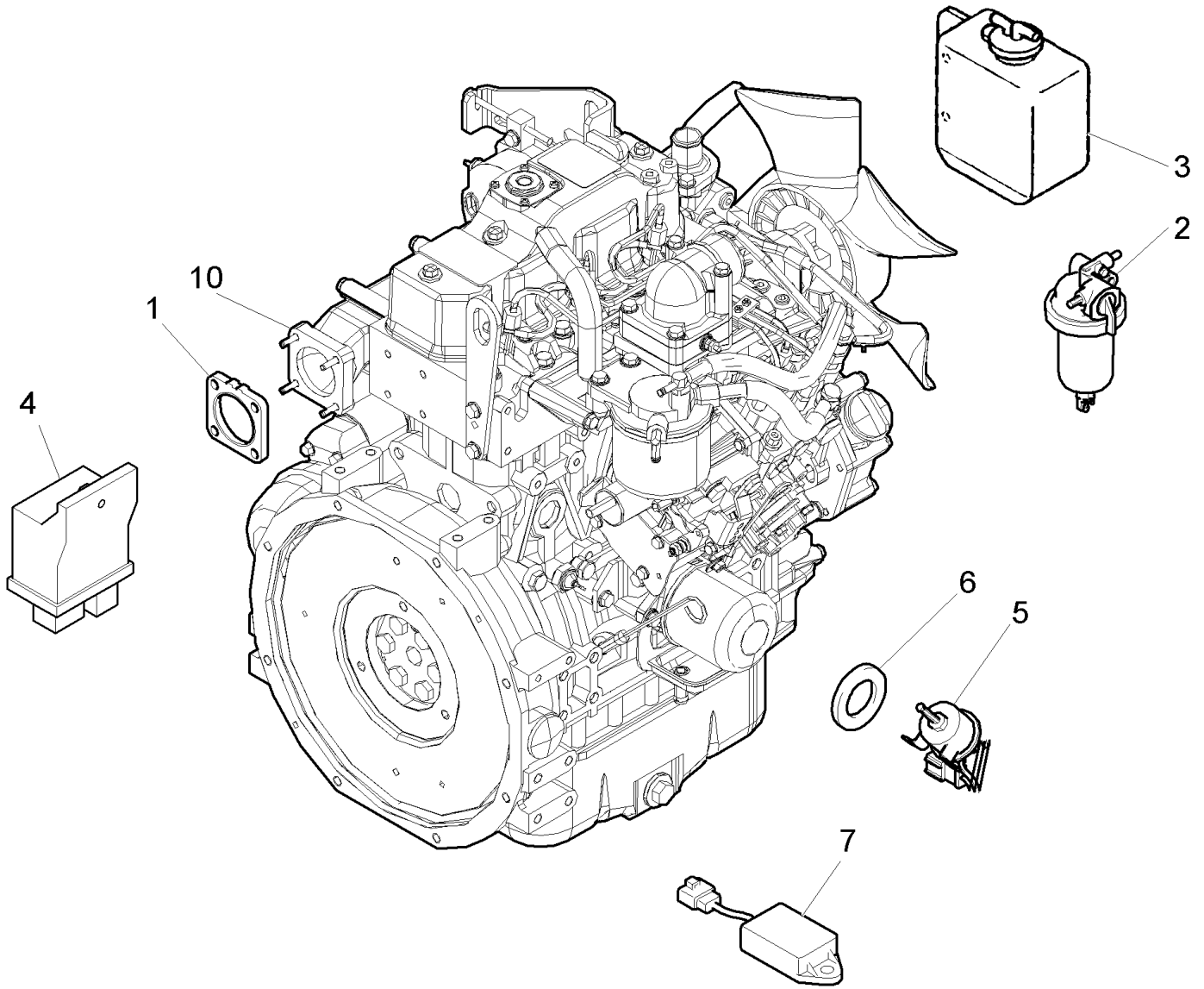
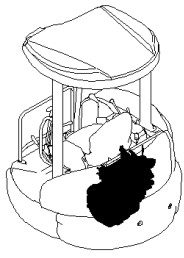


0.004C(1) MOTOR GOVERNOR ASSY - COMPONENTS

Ref	Part Number	Qty	Description
1	72280683	1	CABLE,
2	72280684	1	MOTOR, ELECTRIC, SMALL,
3	72280685	1	BRACKET,
4	72280686	3	SCREW,
5	72280687	1	LEVER,
6	72280688	1	WASHER, LOCK,
7	72280689	1	NUT,
8	72280690	1	RING,
9	72280691	1	COVER,
10	72280692	2	SCREW,

MOTOR GOVERNOR ASSY P/N 72280679

0.021(01) DIESEL ENGINE - KIT



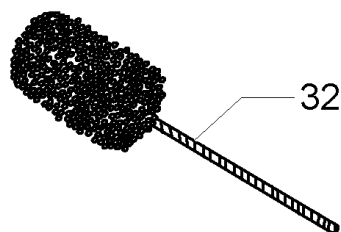
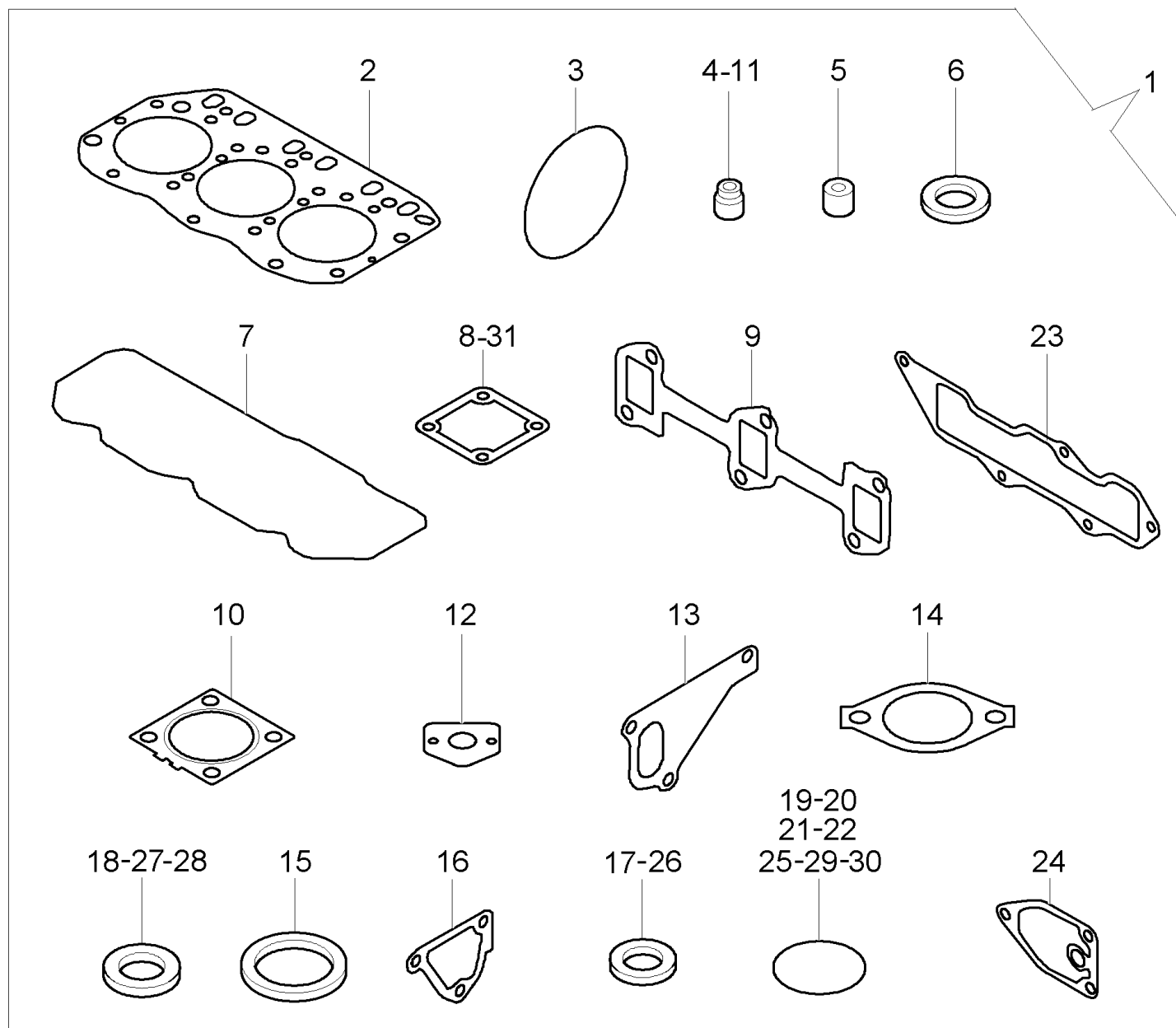
CX31B MINI CRAWLER EXCAVATOR (N5GN00812 & AFTER) (4/05-)

0.021(01) DIESEL ENGINE - KIT

Ref	Part Number	Qty	Description
1	72280593	1	GASKET, , See Page 0.077
2	72280600	1	SEPARATOR, , See Page 0.203
3	72271530	1	TANK, , See Page 0.323
4	72281260	1	RELAY, , Item Supplied With Relay Assy
5	72280608	1	PUMP, FUEL, , See Page 0.203
6	72273660	1	GASKET, , See Page 0.323
7	72273635	1	SWITCH, , Item Supplied With Relay Assy
10	72285508	1	ENGINE,

DIESEL ENGINE, KIT P/N 72280301

0.021(02) GASKET SET



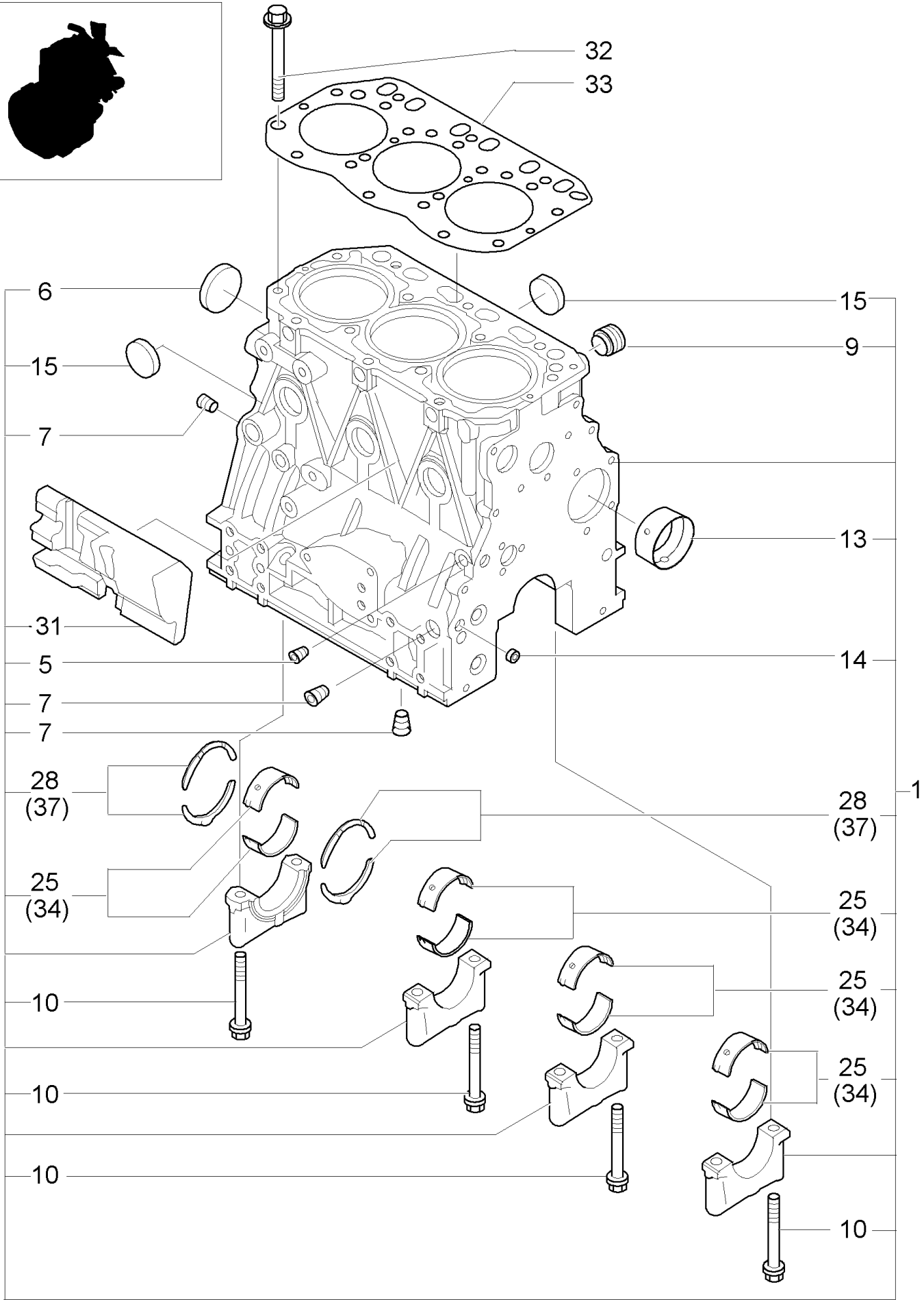
CX31B MINI CRAWLER EXCAVATOR (N5GN00812 & AFTER) (4/05-)

0.021(02) GASKET SET

Ref	Part Number	Qty	Description
1	72280450	1	GASKET,
2	72280321	1	GASKET,
3	72959164	1	O-RING,
4	72961881	3	SEAL,
5	72280347	3	PROTECTOR,
6	72959167	3	GASKET,
7	72280356	1	GASKET,
8	72951923	1	GASKET,
9	72280362	1	GASKET,
10	72280593	1	GASKET,
11	72961872	3	GASKET,
12	72959171	1	GASKET,
13	72961934	1	GASKET,
14	72282879	1	GASKET,
15	72282882	1	GASKET,
16	72961880	1	GASKET,
17	72282862	2	SEAL WASHER,
18	72952747	2	PACKING,
19	72959174	3	O-RING,
20	72959176	2	O-RING,
21	72959177	1	O-RING,
22	72961935	1	O-RING,
23	72280360	1	GASKET,
24	72959172	1	GASKET,
25	72280331	4	O-RING,
26	72959058	2	GASKET,
27	72280396	1	GASKET,
28	72273660	1	GASKET,
29	72280410	1	O-RING,
30	72953592	1	O-RING,
31	72951920	1	PACKING,
32	72961926	1	TOOL,
33	72951946	1	GASKET,

GASKET SET, P/N 72280317

0.040(01) CRANKCASE



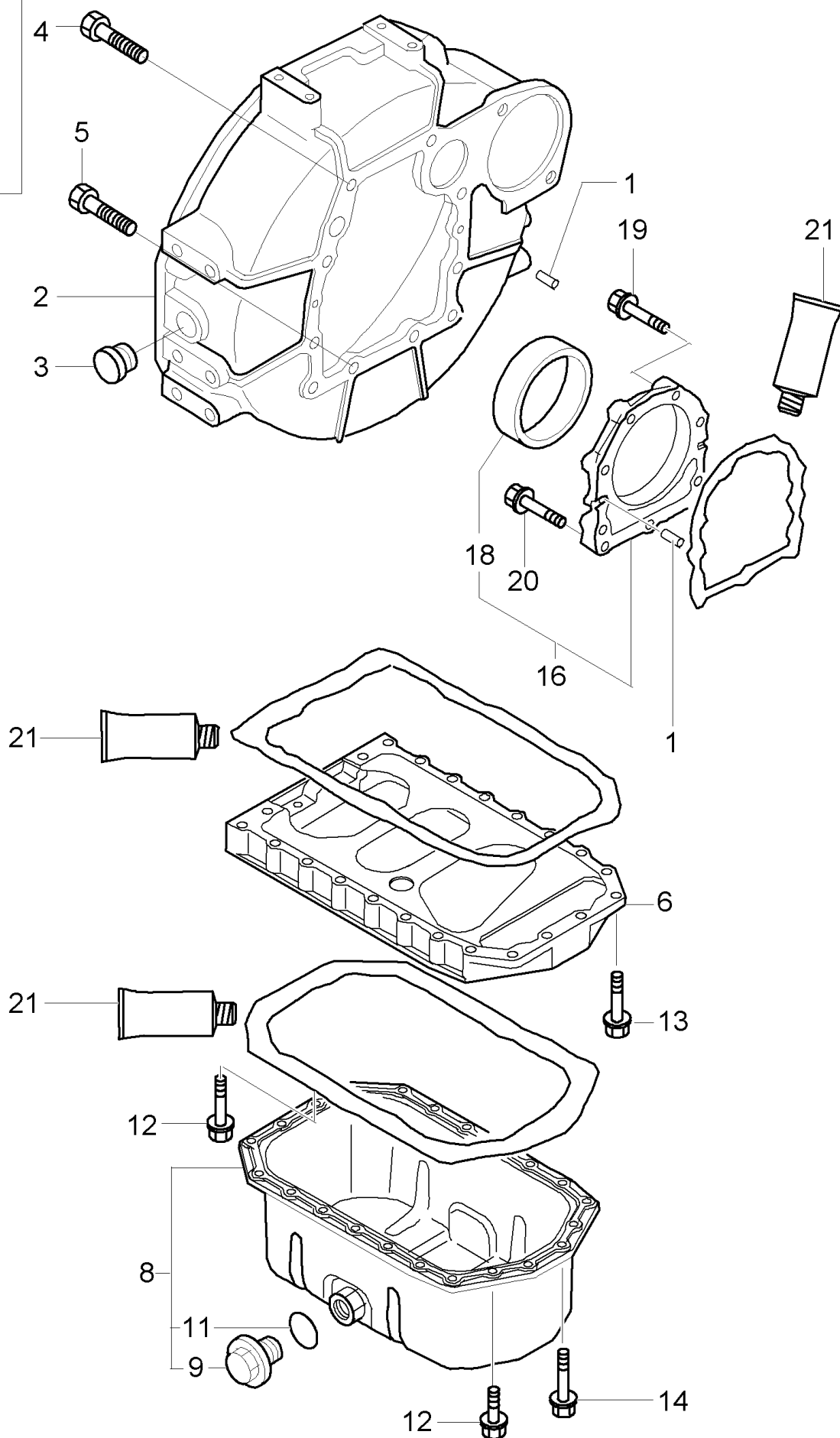
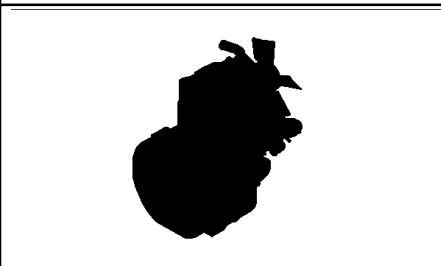
CX31B MINI CRAWLER EXCAVATOR (N5GN00812 & AFTER) (4/05-)

0.040(01) CRANKCASE

Ref	Part Number	Qty	Description
1	72280318	1	VALVE BLOCK, USED,
5	72961876	1	PLUG, PT1/8
6	72958970	1	PLUG, 50
7	72958966	3	PLUG, PT1/4
9	72958967	1	PLUG,
10	72961900	8	BOLT,
13	72958974	1	BUSHING,
14	72958971	2	PLUG, 12
15	72958972	6	PLUG, 30
25	72280319	4	BEARING,
28	72951921	2	RING,
31	72280320	1	SPACER,
32	72961899	14	STUD,
33	72280321	1	GASKET,
34	72961901	4	RING, US=0.25
37	72961902	1	WASHER, THRUST, 25

CRANKCASE ASSY P/N 72280302

0.042(01) FLYWHEEL HOUSING & OIL SUMP



0.042(01) FLYWHEEL HOUSING & OIL SUMP

Ref	Part Number	Qty	Description
1	72959194	4	PIN, 8x16
2	72959195	1	COVER,
3	72959196	1	PLUG,
4	72959197	6	SCREW, M10x25
5	72959198	4	SCREW, M10x30
6	72280335	1	SPACER,
8	72280336	1	PAN, ENGINE OIL,
9	72280337	1	PLUG, M22
11	72953592	1	O-RING, 1A S-25.0
12	72959187	4	SCREW, M8x16
13	72959224	2	SCREW, M8x25
14	72282809	20	BOLT, M8x45
16	72961890	1	FLANGE,
18	72961957	1	SEAL,
19	72959203	6	SCREW, M8x30
20	72958950	3	SCREW, M8x35
21	72951946	1	GASKET,

FLYWHEEL HOUSING & OIL SUMP ASSY P/N 72280304



Suggest:

If the above button click is invalid.

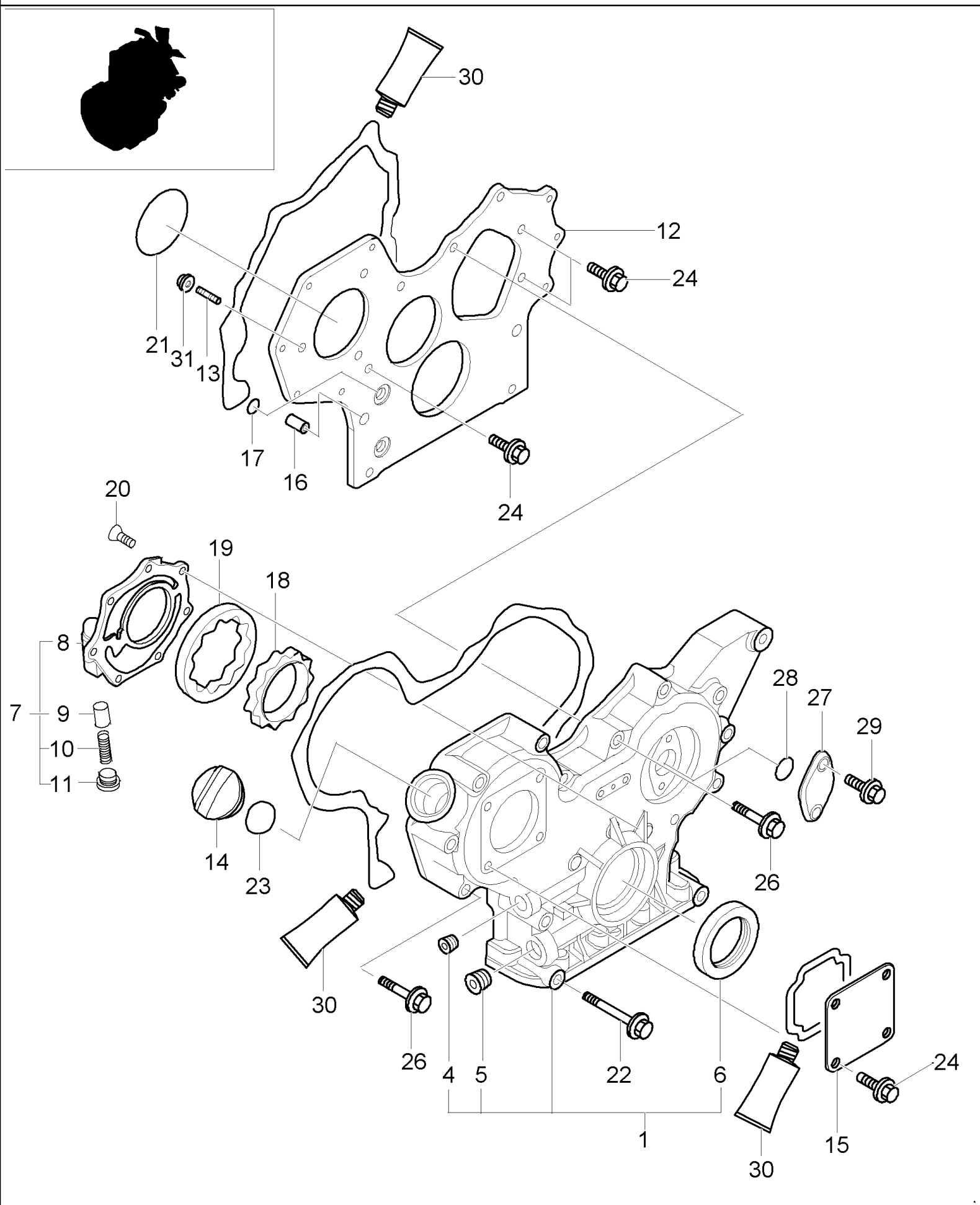
Please download this document

first, and then click the above link

to download the complete manual.

Thank you so much for reading

0.043(01) CRANKCASE COVERS



CRANKCASE COVERS ASSY, P/N 72280303

<https://www.ebooklibonline.com>

Hello dear friend!

Thank you very much for reading.

Enter the link into your browser.

The full manual is available for immediate download.

<https://www.ebooklibonline.com>