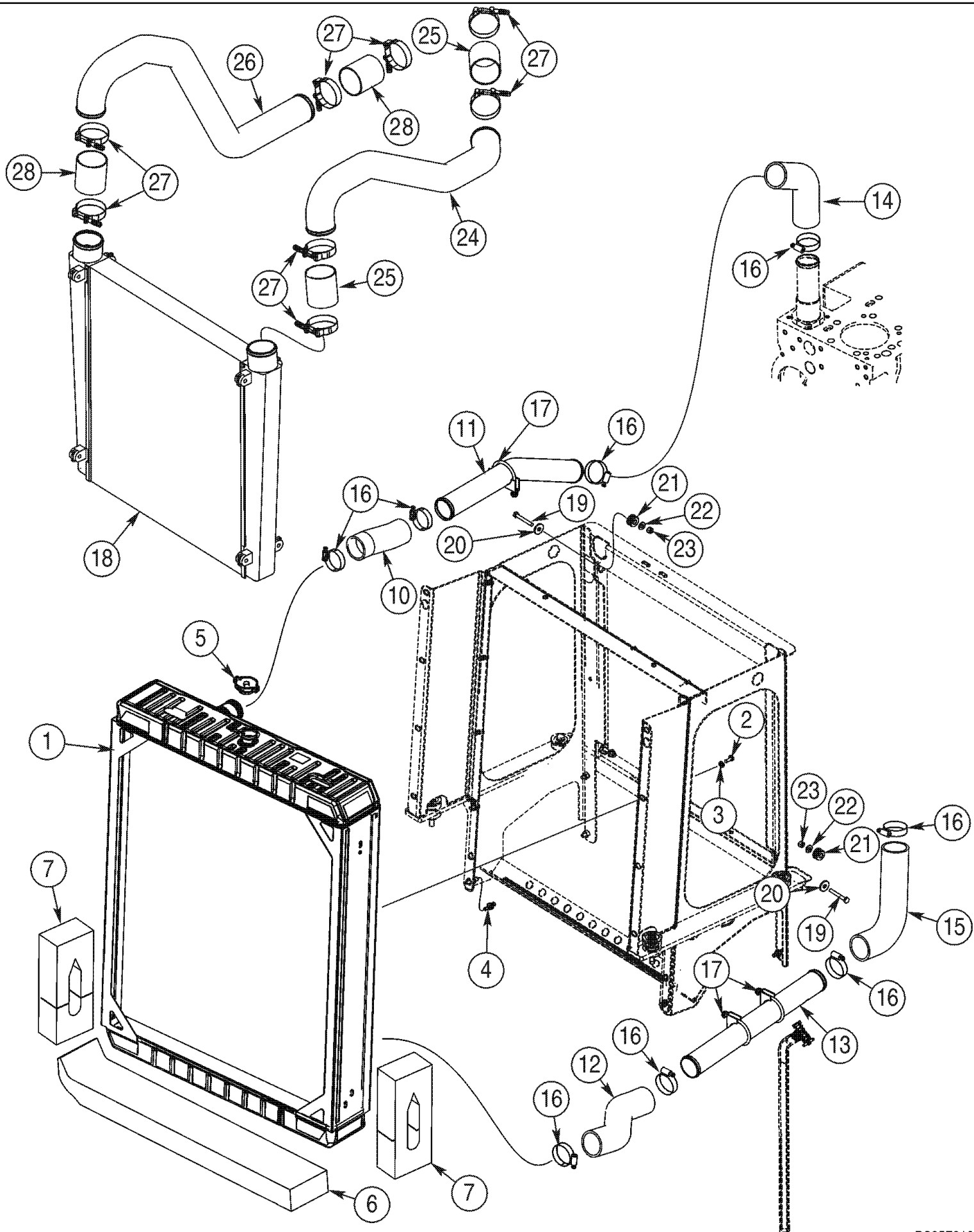




# PARTS CATALOGUE

WHEEL LOADER  
821C



## 821C CASE WHEEL LOADER (S/N JEE0155001 &amp; AFTER)

## 02-01 RADIATOR MOUNTING - COOLER, CHARGE AIR

Ref	Part Number	Qty	Description
1	395780A1	1	RADIATOR,
2	627-8020	9	BOLT, Hex, M8 x 20, 10.9, M8 x 20; 10.9
3	896-15008	10	WASHER, M8 x 21.5 x 2.5, HT, 9 x 17 x 1,6 mm
4	292523A1	1	BOLT, SPECIAL, Ground
5	A170241	1	CAP, RADIATOR, 15 psi; Radiator
6	444763A1	1	INSULATOR, Radiator, Bottom
7	444764A1	2	INSULATOR, Radiator, Sides
10	413058A1	1	HOSE (METRES), Radiator, Upper
11	413062A1	1	TUBE, Coolant
12	413059A1	1	HOSE (METRES), Lower
13	419358A1	1	TUBE ASSY., Coolant, Bottom
14	413060A1	1	HOSE, LARGE, Engine, Upper
15	413061A1	1	HOSE, LARGE, Engine, Bottom
16	214-3148	8	CLAMP, HOSE, 2.25/3.125 HD Worm, 2-1/4 - 3-1/8
17	393632A1	3	CLAMP, Incl. Hardware
18	437249A1	1	COOLER, Air To Charge Air
19	827-8060	4	BOLT, Hex, M8 x 60, 10.9, M8 x 60; 10.9
20	496-41041	4	WASHER, 13/32" x 1 1/8" x .134", 13/32 x 1-1/8 x 9/64
21	434177A1	4	MOUNTING, RUBBER,
22	895-15008	4	WASHER, M8 x 20 x 1.6, 9 x 20 x 1,6 mm
23	832-10408	4	NUT, M8 x 1.25, Cl 8, M8
24	413186A3	1	TUBE, Charge Air, Intake
25	87572378	2	HOSE Air Intake; 89 mm ( 3-1/2 in ), Replaces 87340629, 329736A1
26	413185A2	1	TUBE, Charge Air, Cooler To Turbocharger
27	L115549	8	CLAMP,
28	87572375	2	HOSE Air Intake; 89 mm ( 3-1/2 in ), Replaces 87340628, 329736A1

**<https://www.ebooklibonline.com>**

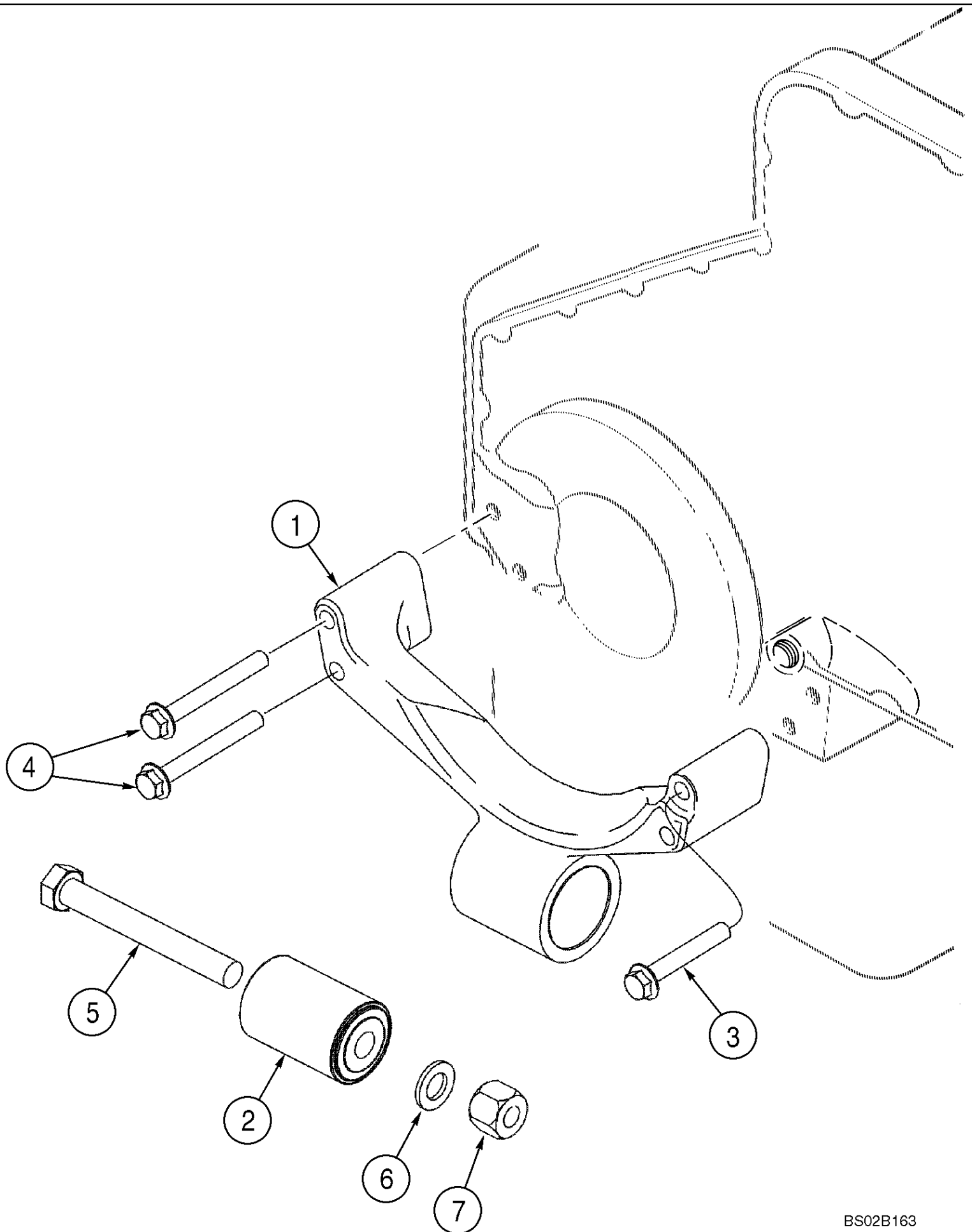
Hello dear friend!

Thank you very much for reading.

Enter the link into your browser.

The full manual is available for immediate download.

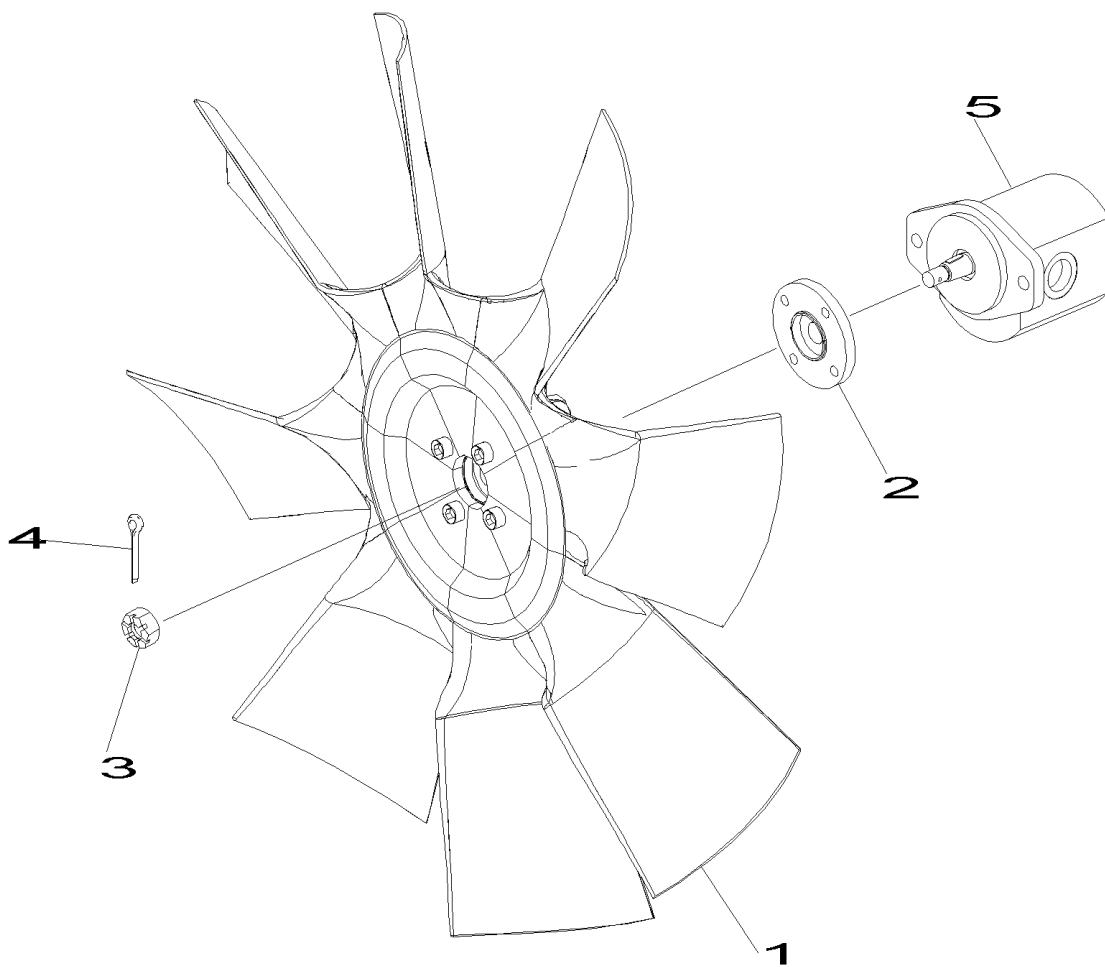
**<https://www.ebooklibonline.com>**



## 821C CASE WHEEL LOADER (S/N JEE0155001 &amp; AFTER)

## 02-02 MOUNTING, ENGINE

Ref	Part Number	Qty	Description
	418674A1	1	SUPPORT, Incl. 1,2
1	J943374	1	SUPPORT,
2	L124020	1	SHOCK ABSORBER,
3	854-12090	1	BOLT, Hex Flg, M12 x 90, 10.9, M12 x 90; 10.9
4	854-12100	3	BOLT, Hex Flg, M12 x 100, 10.9, M12 x 100; 10.9
5	426-1296	1	BOLT, Hex, 3/4"-10 x 6", G8, 3/4 x 6
6	496-81000	1	WASHER, 25/32" x 1 3/8" x .134", HDN, 25/32 x 1-3/8 x 1/8
7	131-1400	1	NUT, LOCK, Jam, 3/4"-16, 3/4

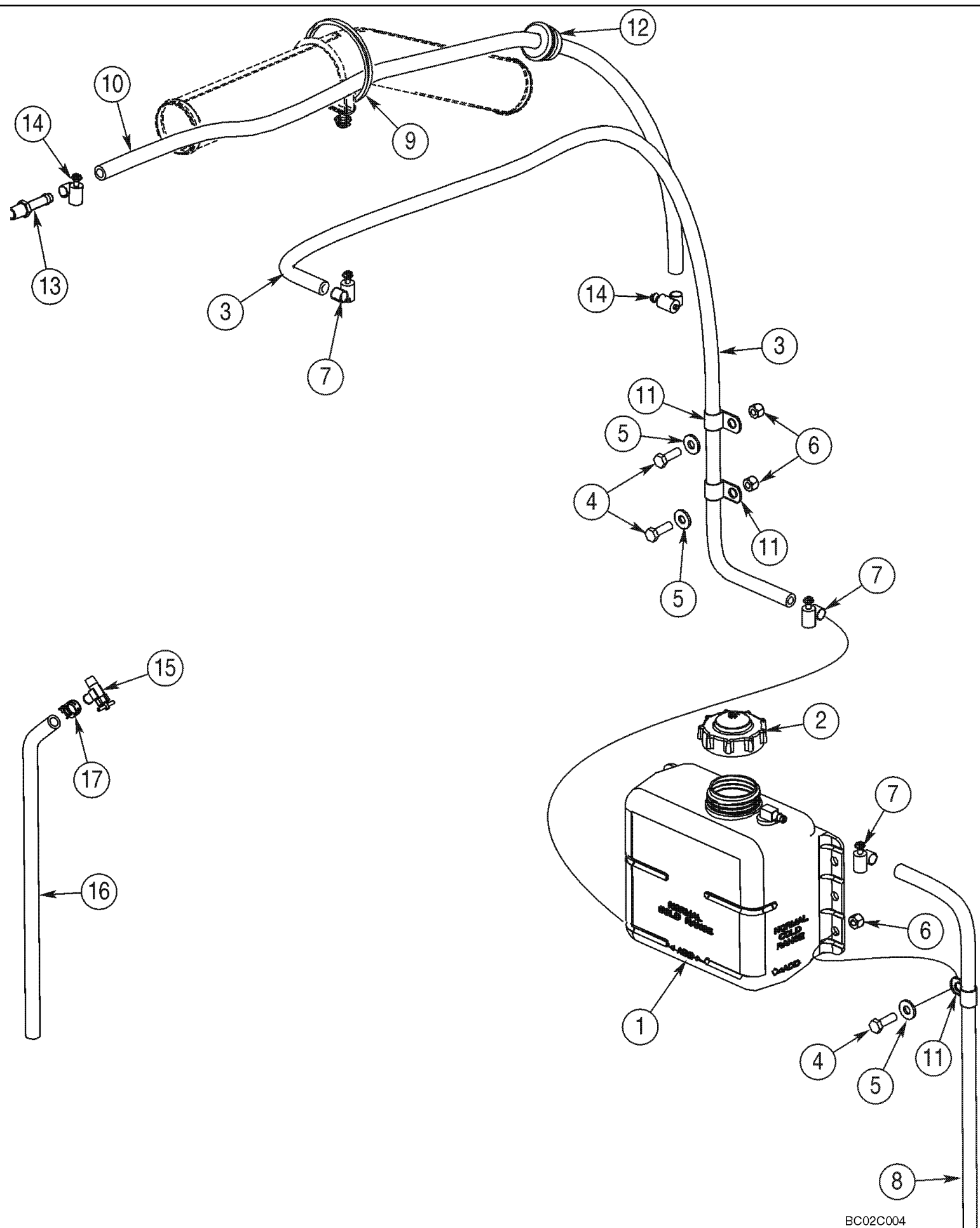


## 821C CASE WHEEL LOADER (S/N JEE0155001 &amp; AFTER)

## 02-03 FAN - MOUNTING

Ref	Part Number	Qty	Description
	427010A1	1	FAN, Incl. 1, 2
1	427011A1	1	FAN,
2	427012A1	1	HUB,
3	425-1310	1	NUT, SLOTTED, 5/8"-18, G5, 5/8 - 18UNF
4	733-3232	1	PIN, SPLIT (COTTER), M3.2 x 32, 3.2 X 32mm
5	REF	1	INSTRUCTION, MOTOR ASSY; Fan Drive; Component Parts Not Available at Time of Printing; See Figure 08-10

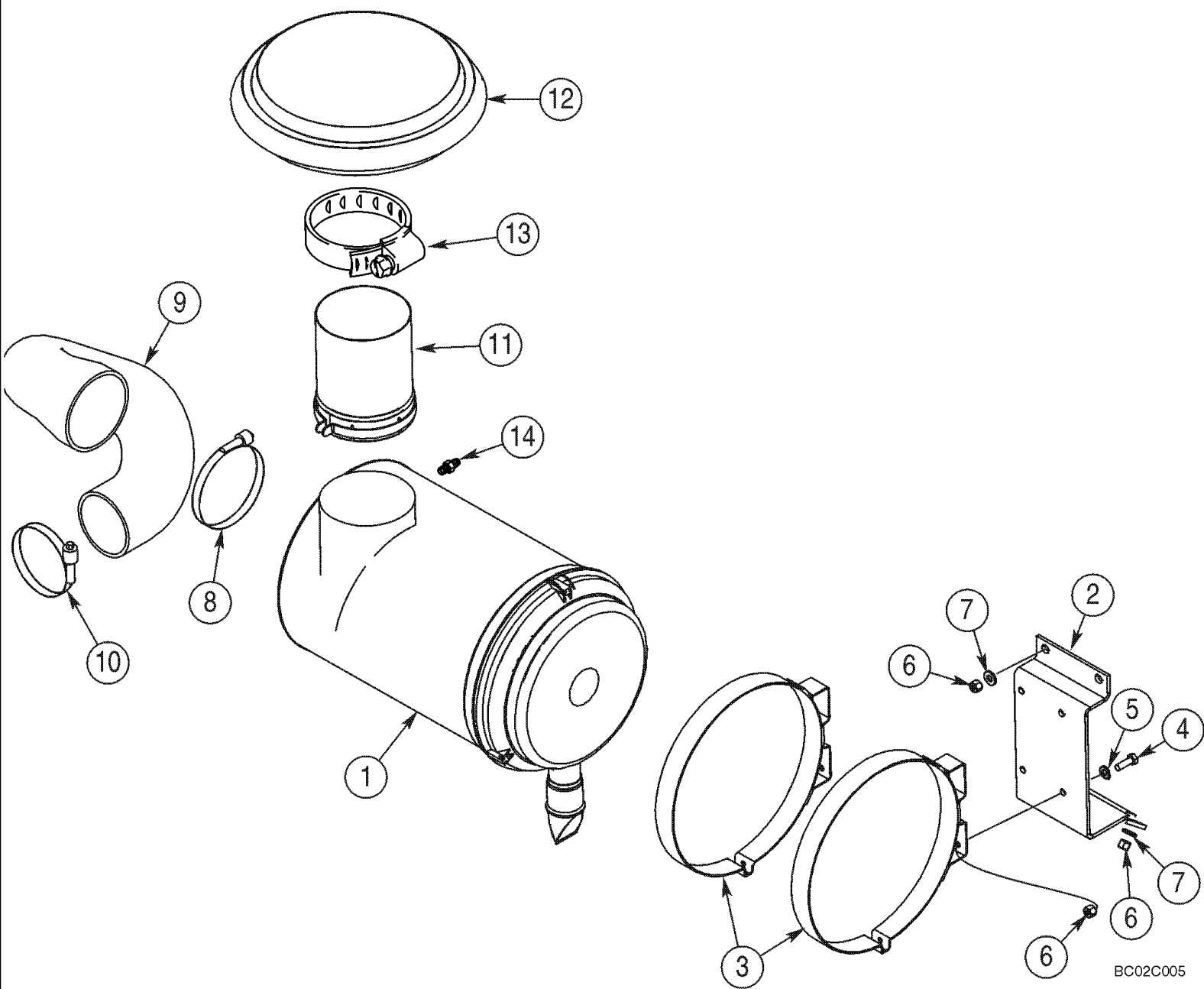
02-04 COOLANT RECOVERY SYSTEM



## 821C CASE WHEEL LOADER (S/N JEE0155001 &amp; AFTER)

## 02-04 COOLANT RECOVERY SYSTEM

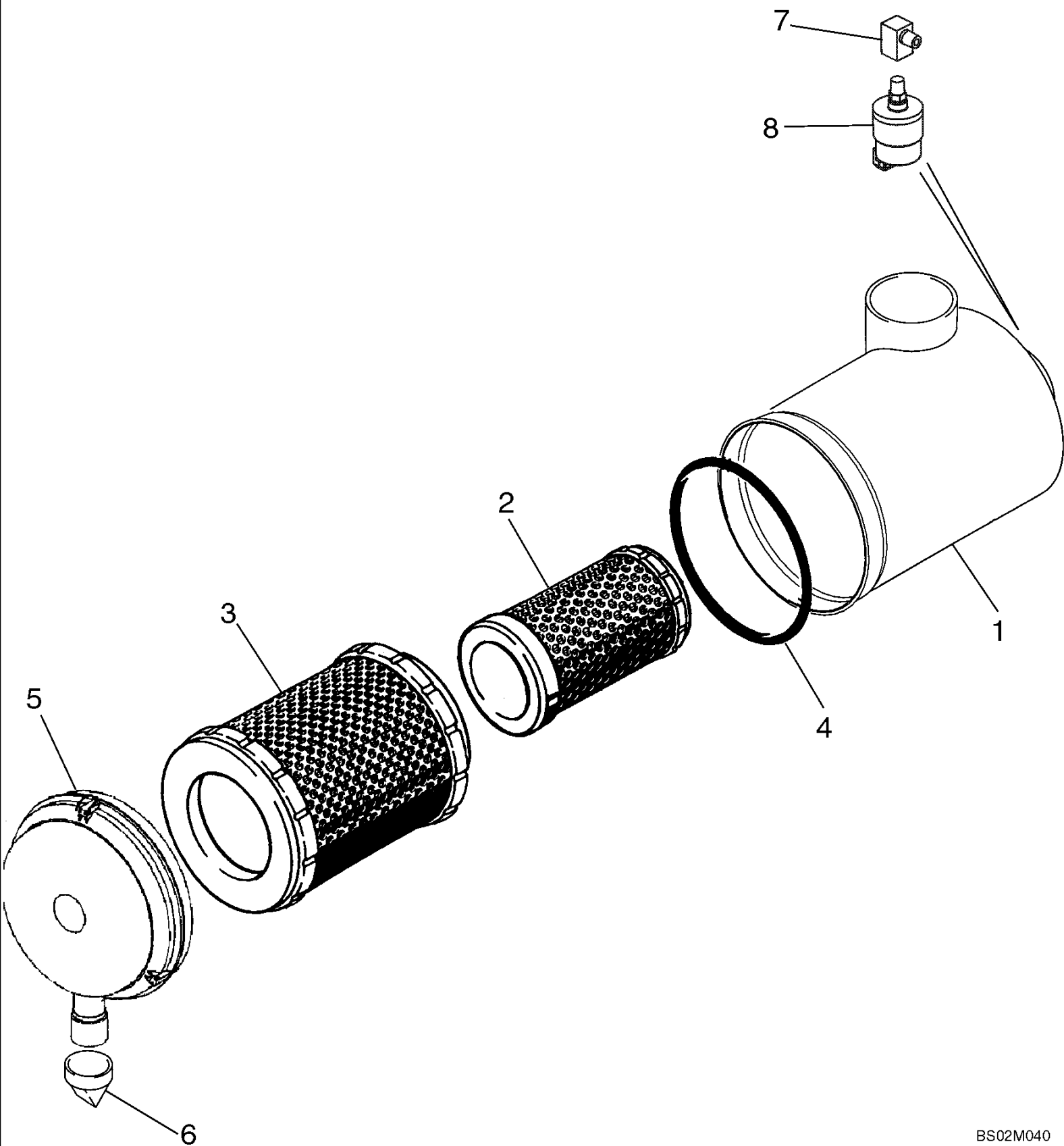
Ref	Part Number	Qty	Description
1	A184395	1	RESERVOIR,
2	1547924C1	1	CAP,
3	31-2939	1	HOSE, 1270 mm (50 in); Radiator To Reservoir
5	896-15008	4	WASHER, M8 x 21.5 x 2.5, HT, 9 x 21 x 2,5 mm
6	832-10408	2	NUT, M8 x 1.25, CI 8, M8
7	214-1406	3	CLAMP, HOSE, #06, .44/.78 Type F Worm, 7/16 - 25/32; Overflow Hose To Reservoir
8	226616A1	1	HOSE (METRES), 1066.8 mm (42 in); Recovery Overflow
9	L18337	1	STRAP, CABLE, 9.95"-12.1" lg, 15 in
10	31-2308	1	HOSE, LARGE, 1219 mm (48 in); Engine Vent
11	515-23159	3	CLAMP, 5/8", Insul, 3/8" Bolt, 5/8 ID
12	198825C1	1	GROMMET, 5/8 ID
13	217-151	1	ELBOW, 3/8" Hose X 1/4" NPTF Beaded, 3/8 stem x 1/4 PT
14	214-1406	2	CLAMP, HOSE, #06, .44/.78 Type F Worm, 7/16 - 25/32
15	301803R1	1	VALVE, SHUT-OFF,
16	32-332	1	HOSE, 666 mm (26-1/4 in); Cut From A42610
17	1954736C1	1	CLAMP, No. 24
4	627-8025	4	BOLT, Hex, M8 x 25, 10.9, M8 x 25; 10.9



## 821C CASE WHEEL LOADER (S/N JEE0155001 &amp; AFTER)

## 02-05 AIR CLEANER - AIR INTAKE PARTS

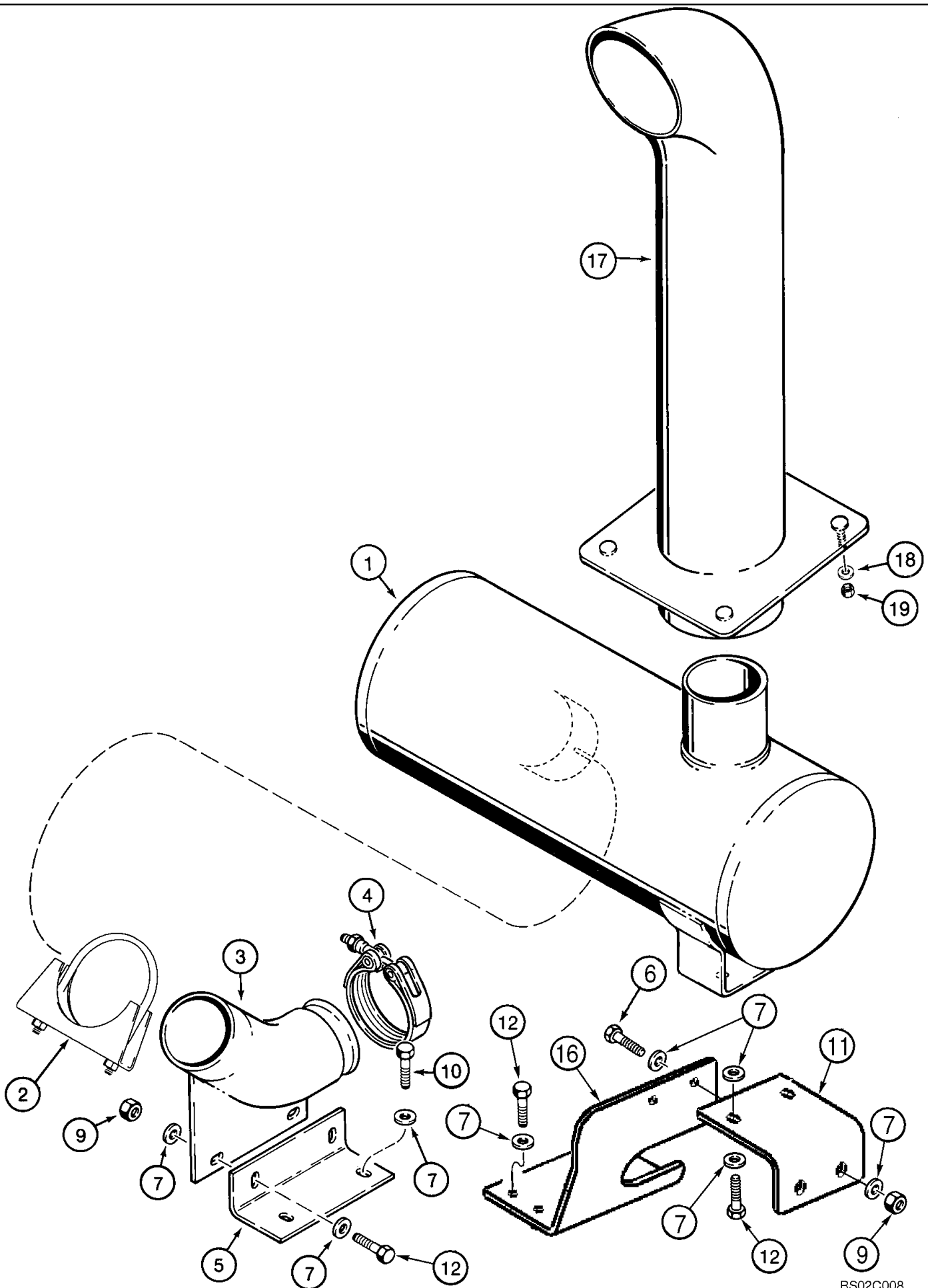
Ref	Part Number	Qty	Description
1	432197A2	1	AIR CLEANER, See Figure 02-06
2	432194A1	1	BRACKET,
3	336942A1	2	MOUNTING CLIP,
5	896-11010	4	WASHER, M10 x 21.5 x 2.5, HT, 11 x 21 x 2,5 mm
6	832-10410	8	NUT, LOCK, M10 x 1.5, Cl 8,
4	627-10030	4	BOLT, Hex, M10 x 30, 10.9, Full Thd,
7	896-15010	4	WASHER, M10 x 24.5 x 3, HT, 11 x 24 x 3 mm
8	L124802	1	COLLAR CLAMP, Hose to Air Cleaner
9	432195A2	1	AIR FLEXIBLE,
10	L127771	1	CLAMP,
11	L129742	1	EXTENSION,
12	L56043	1	CAP, Incl. 13
13	214-31112	1	CLAMP, HOSE, 6.25/7.125 HD Worm, 6-1/4 - 7-1/8
14	D36264	1	FITTING,



## 821C CASE WHEEL LOADER (S/N JEE0155001 &amp; AFTER)

## 02-06 AIR CLEANER ASSY

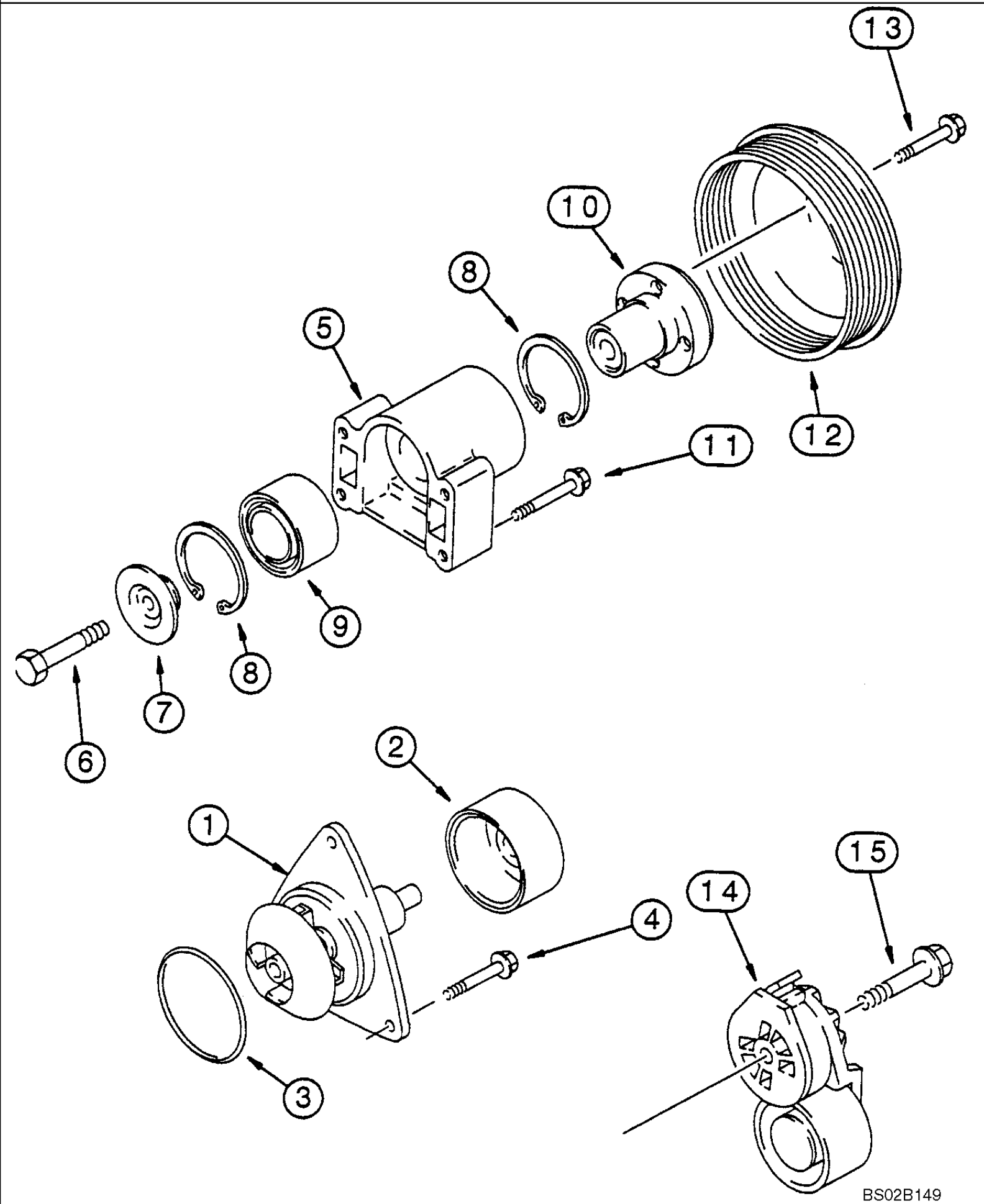
Ref	Part Number	Qty	Description
	432197A2	1	AIR CLEANER, Incl. 1 - 7
1	NSS	1	NOT SERVICED SEPARATELY, Body
2	450769A1	1	FILTER, AIR, Secondary
2	KSH0932	1	FILTER, AIR, Replaces 450769A1
3	450768A1	1	FILTER, AIR, Primary
3	KSH0933	1	FILTER, AIR, Replaces 450768A1
4	86991370	1	O-RING,
5	86991373	1	COVER,
6	A184939	1	VALVE,
7	217-1227	1	ELBOW, 90e, 1/8"-27 Male,
8	279492A1	1	SWITCH, Air Filter Restriction



## 821C CASE WHEEL LOADER (S/N JEE0155001 &amp; AFTER)

## 02-07 MUFFLER - EXHAUST SYSTEM

Ref	Part Number	Qty	Description
1	316784A1	1	MUFFLER, Standard
1	316785A1	1	MUFFLER, Spark Arrester
2	A162896	1	CLAMP,
3	197299A1	1	ELBOW,
4	A170807	1	CLAMP,
5	197302A1	1	SUPPORT,
6	627-10035	2	BOLT, Hex, M10 x 35, 10.9, Full Thd, M10 x 35; 10.9
7	896-15010	16	WASHER, M10 x 24.5 x 3, HT, 11 x 24 x 3 mm
9	829-1410	4	NUT, M10, CI 10, M10; 10.9
10	627-10025	2	BOLT, Hex, M10 x 25, 10.9, Full Thd, M10 x 25; 10.9
11	418677A1	1	MOUNTING PARTS,
12	627-10030	8	BOLT, Hex, M10 x 30, 10.9, Full Thd,
16	418676A2	1	BRACKET,
17	436220A1	1	PIPE, EXHAUST SYSTEM,
18	896-15012	4	WASHER, M12 x 28.5 x 4, HT, 13,5 x 28 x 4 mm
19	829-1412	4	NUT, M12, CI 10, M12; 10

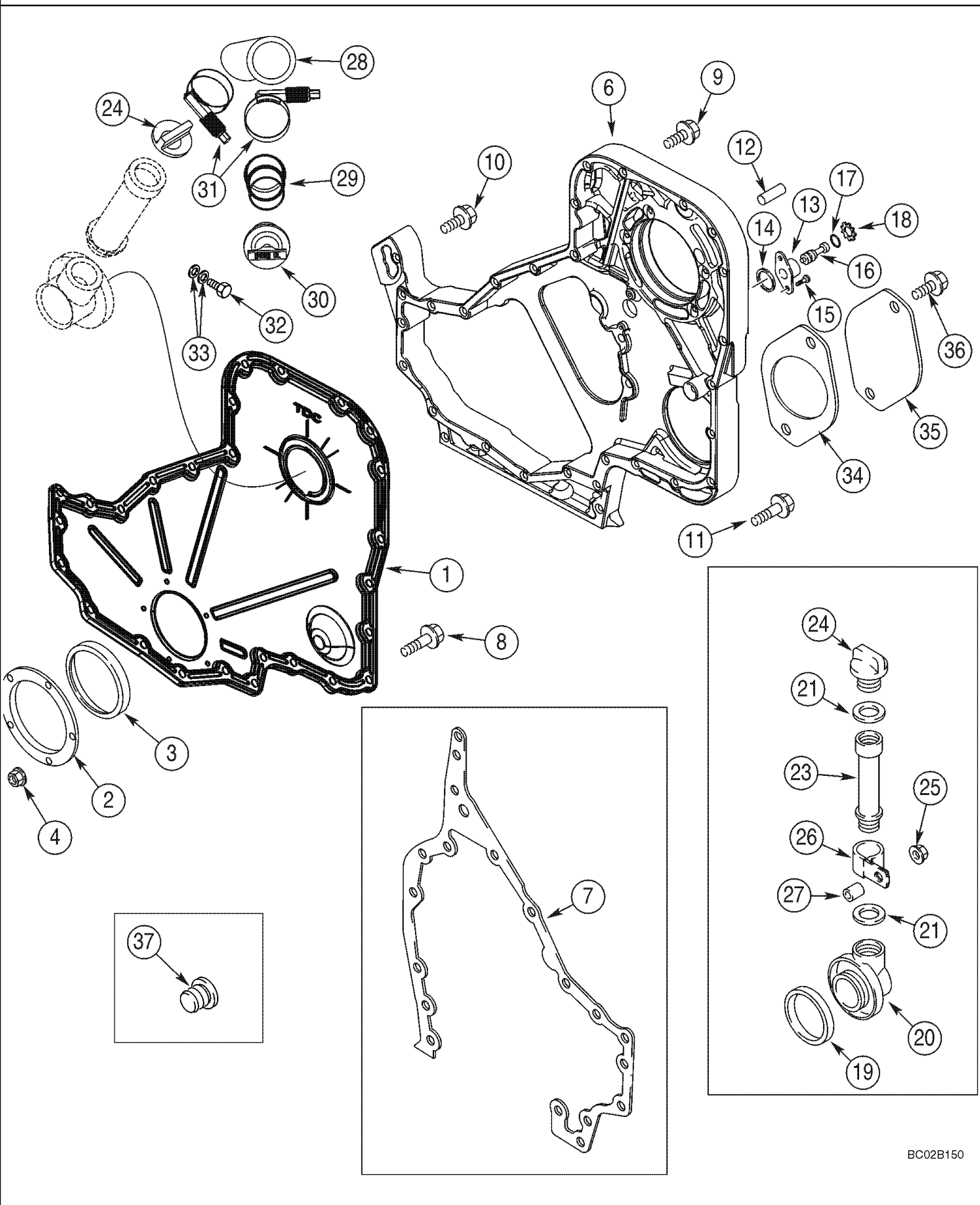


## 821C CASE WHEEL LOADER (S/N JEE0155001 &amp; AFTER)

## 02-08 WATER PUMP SYSTEM

Ref	Part Number	Qty	Description
	REF		INSTRUCTION, 6TAA-830 EMISSIONS CERTIFIED ENGINE
	J804927	1	PUMP, WATER, Water Pump; Incl. 1 - 3
1	NSS	1	NOT SERVICED SEPARATELY, Pump
2	NSS	1	NOT SERVICED SEPARATELY, Pulley
3	238-5244	1	O-RING, -244, 70 Duro, 4.234" ID x .139" Thk,
4	J934054	3	BOLT, M8 x 28
	J942896	1	SUPPORT, Incl. 5 - 10
5	NSS	1	NOT SERVICED SEPARATELY, Support
6	J907769	1	BOLT, M10 x 70
7	J923044	1	RETAINER,
8	100-21250	2	RING, SNAP, 2.50", Int, #250,
9	J910739	1	BEARING, BALL,
10	J911924	1	HUB,
11	844-10050	4	BOLT, Hex Flg, M10 x 50, 8.8,
12	J926855	1	PULLEY,
13	844-10020	4	BOLT, Hex Flg, M10 x 20, 8.8,
14	J945849	1	TENSIONER,
15	J282433	1	BOLT, M10 x 85

02-09 FRONT GEAR COVER



## 821C CASE WHEEL LOADER (S/N JEE0155001 &amp; AFTER)

## 02-09 FRONT GEAR COVER

Ref	Part Number	Qty	Description
	REF		INSTRUCTION, 6TAA-830 EMISSIONS CERTIFIED ENGINE
1	J948045	1	COVER,
2	J941786	1	CARRIER,
3	NSS	1	NOT SERVICED SEPARATELY, Seal; Order A77790, A77808; See Figure 02-21
4	J938077	5	NUT, M6
5	J823494	1	SEALANT, 3 oz; Not Illustrated
6	J938085	1	COVER,
7	J944293	1	GASKET,
8	J926863	12	BOLT, M8 x 50
9	845-8016	12	BOLT, Hex Flg, M8 x 16, 8.8, Full Thd, M8 x 16
10	J926846	3	BOLT, M8 x 20
11	J943885	2	BOLT, M8 x 40
12	J900257	2	PIN, 16 mm
13	J919683	1	HOUSING,
14	J915772	1	SEALRING,
15	J907998	2	SCREW, LOCK, Spc Rd Torx Hd, M5 x 17, M5 x 17
16	J903924	1	PIN,
17	J913994	1	O-RING,
18	100-2587	1	RING, SNAP, 0.875", Int, #87,
19	J903475	1	SEAL,
20	J921644	1	ADAPTER,
21	J936876	2	SEAL, OIL,
23	J914738	1	TUBE,
24	J914136	1	CAP, Not Used In This Application
25	825-2406	1	NUT, M6 x 1, Flg, Cl 8,
26	A77695	1	MOUNTING CLIP,
27	J943408	1	SPACER,
28	429795A1	1	HOSE (METRES), Oil Fill
29	429796A1	1	TUBE, Not Included In Engine Assembly; Purchase Separately
30	429797A1	1	CAP, Not Included In Engine Assembly; Purchase Separately
31	254026A1	2	CLAMP, Not Included In Engine Assembly; Purchase Separately
32	627-8020	1	BOLT, Hex, M8 x 20, 10.9, M8 x 20; 10.9; Not Included In Engine Assembly; Purchase Separately
33	896-11008	2	WASHER, M8 x 17.5 x 2, HT, 9 x 17 x 2 mm; Not Included In Engine Assembly; Purchase Separately
34	J938655	1	GASKET,
35	J914868	1	COVER,
36	854-12025	2	BOLT, Hex Flg, M12 x 25, 10.9, M12 x 25; 10.9
37	217-438	2	PLUG, Hex Soc, 1/2"-14, 1/2 PT



**Suggest:**

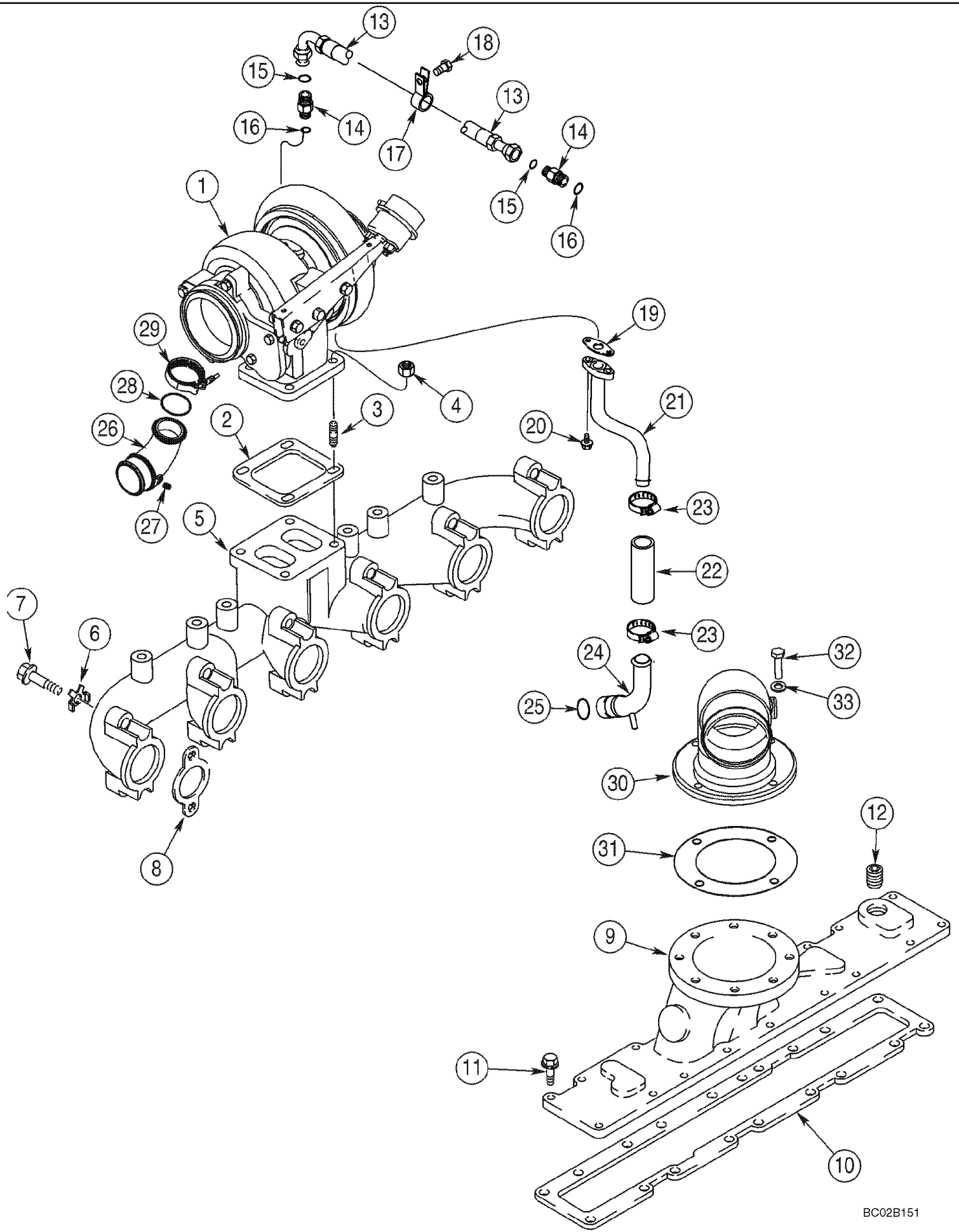
**If the above button click is invalid.**

**Please download this document**

**first, and then click the above link**

**to download the complete manual.**

**Thank you so much for reading**



**<https://www.ebooklibonline.com>**

Hello dear friend!

Thank you very much for reading.

Enter the link into your browser.

The full manual is available for immediate download.

**<https://www.ebooklibonline.com>**