

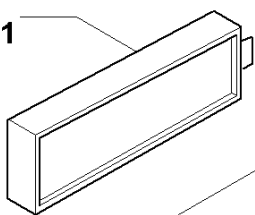


PARTS CATALOGUE

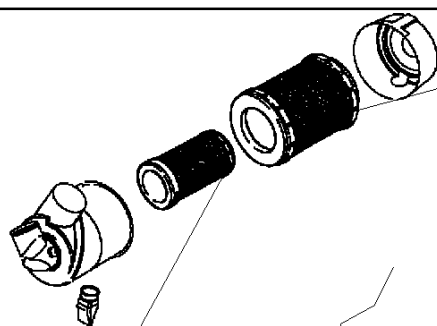
WHEEL LOADER
721D
EUROPE

0 - FILTERS(00) MAINTENANCE PARTS

(09-36C)
330014A1



(02-10A)
187472A1

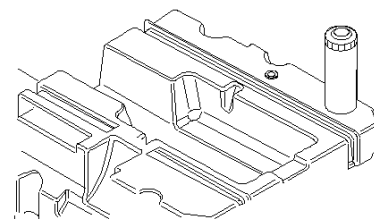


(02-10A)
381230A1

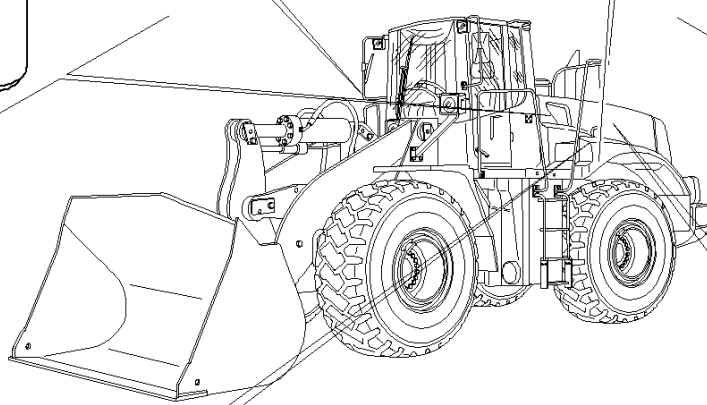
(03-04)
87400394



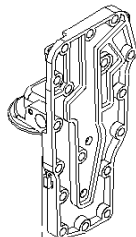
(08-03)
87403735
87403734



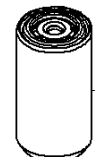
(08-43A)
87403735



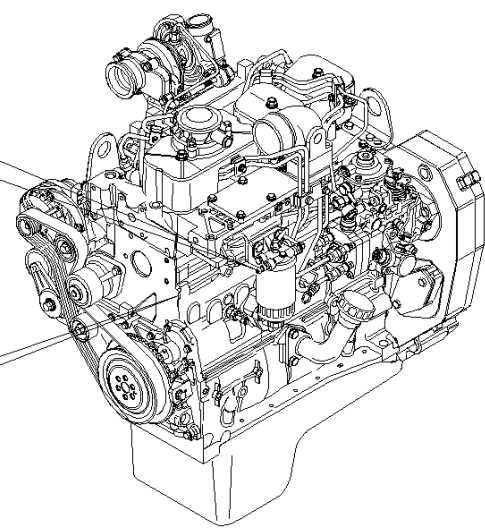
(02-17)
87803204



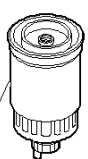
(08-43B)
87308928



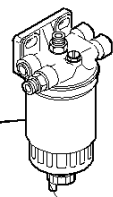
(06-21)
8603535



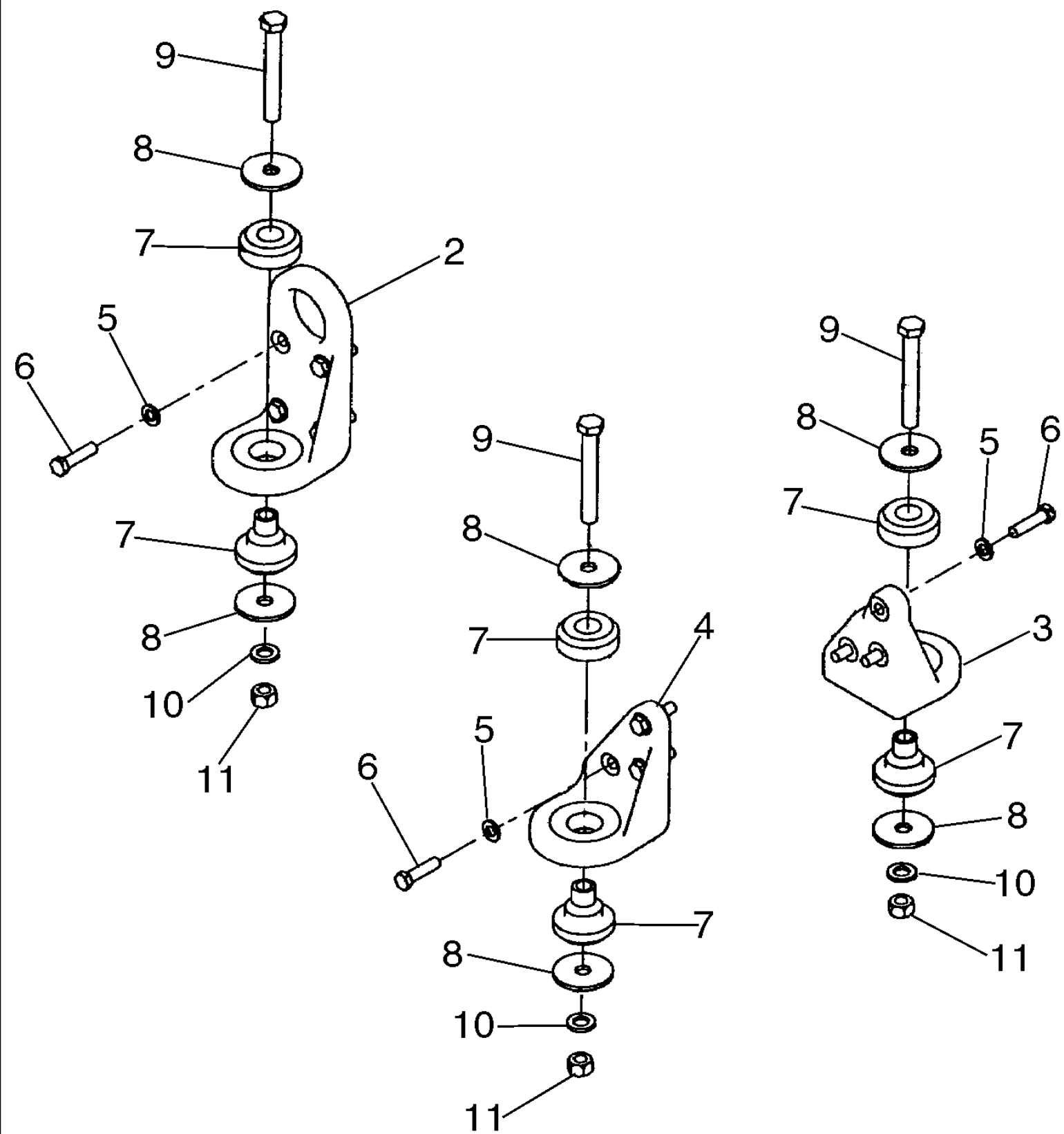
(03-13)
87803191



(03-13)



02-01 MOUNTING, ENGINE



<https://www.ebooklibonline.com>

Hello dear friend!

Thank you very much for reading.

Enter the link into your browser.

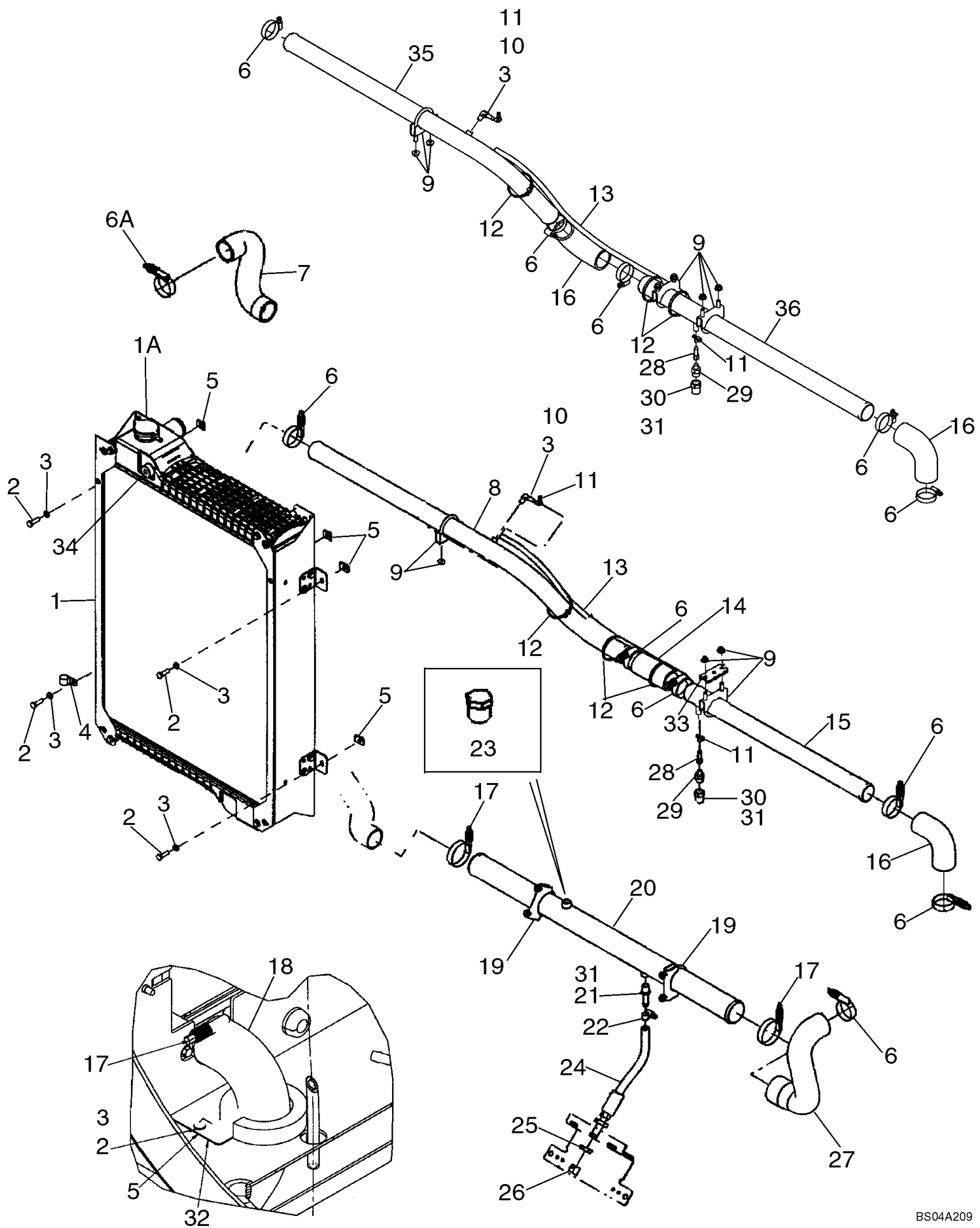
The full manual is available for immediate download.

<https://www.ebooklibonline.com>

02-01 MOUNTING, ENGINE

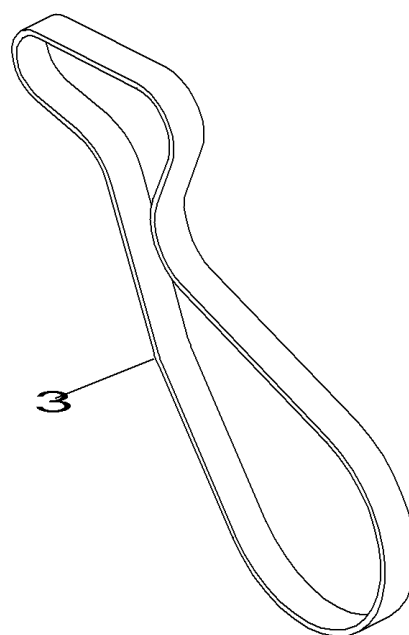
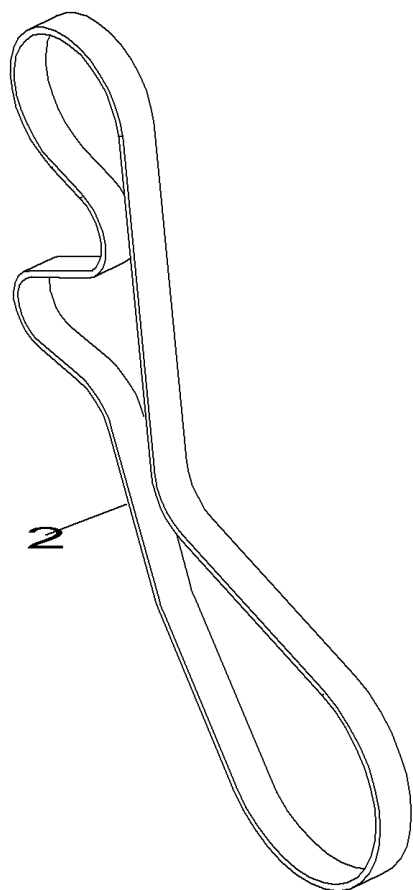
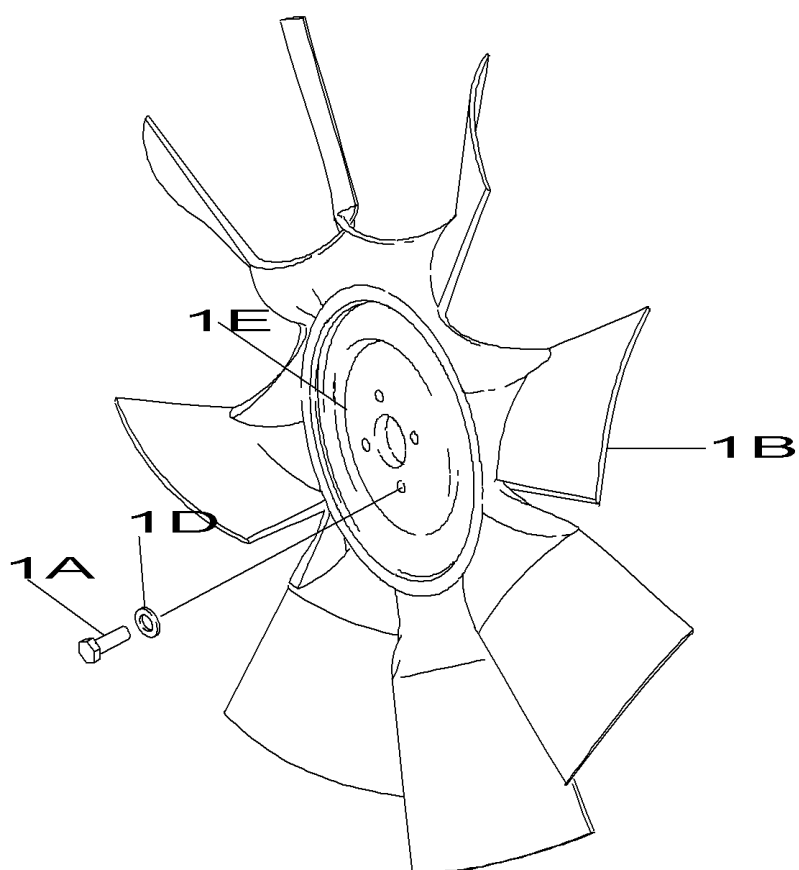
Ref	Part Number	Qty	Description
2	8602302	2	MOUNT, ENGINE, 17,5 x 30 x 4 mm; Front
3	8602303	1	MOUNT, ENGINE, Right Rear
4	8602304	1	MOUNT, ENGINE, M16 x 110; 10.9; Left Rear
5	896-11012	14	WASHER, M13.5 x 24.5 x 3, HT, 13,5 x 24 x 3 mm
6	627-12045	14	BOLT, Hex, M12 x 45, 10.9, Full Thd, M12 x 45; 10.9
7	361811A1	4	ISOLATOR, Rear
8	496-81025	8	WASHER, 21/32" x 2 1/2" x .188", HDN, ,656 x 2,5 x ,188
9	827-16120	4	BOLT, Hex, M16 x 120, 10.9, M16 x 120; 10.9
10	896-11016	4	WASHER, M17.5 x 30 x 4, HT, 17,5 x 16,7 x 4,8 mm
11	829-1416	4	NUT, M16, CI 10, M16; No Longer Used For This Application
11	832-10416	4	NUT, LOCK, M16 x 2, CI 8, M16

02-02 RADIATOR - MOUNTING



02-02 RADIATOR - MOUNTING

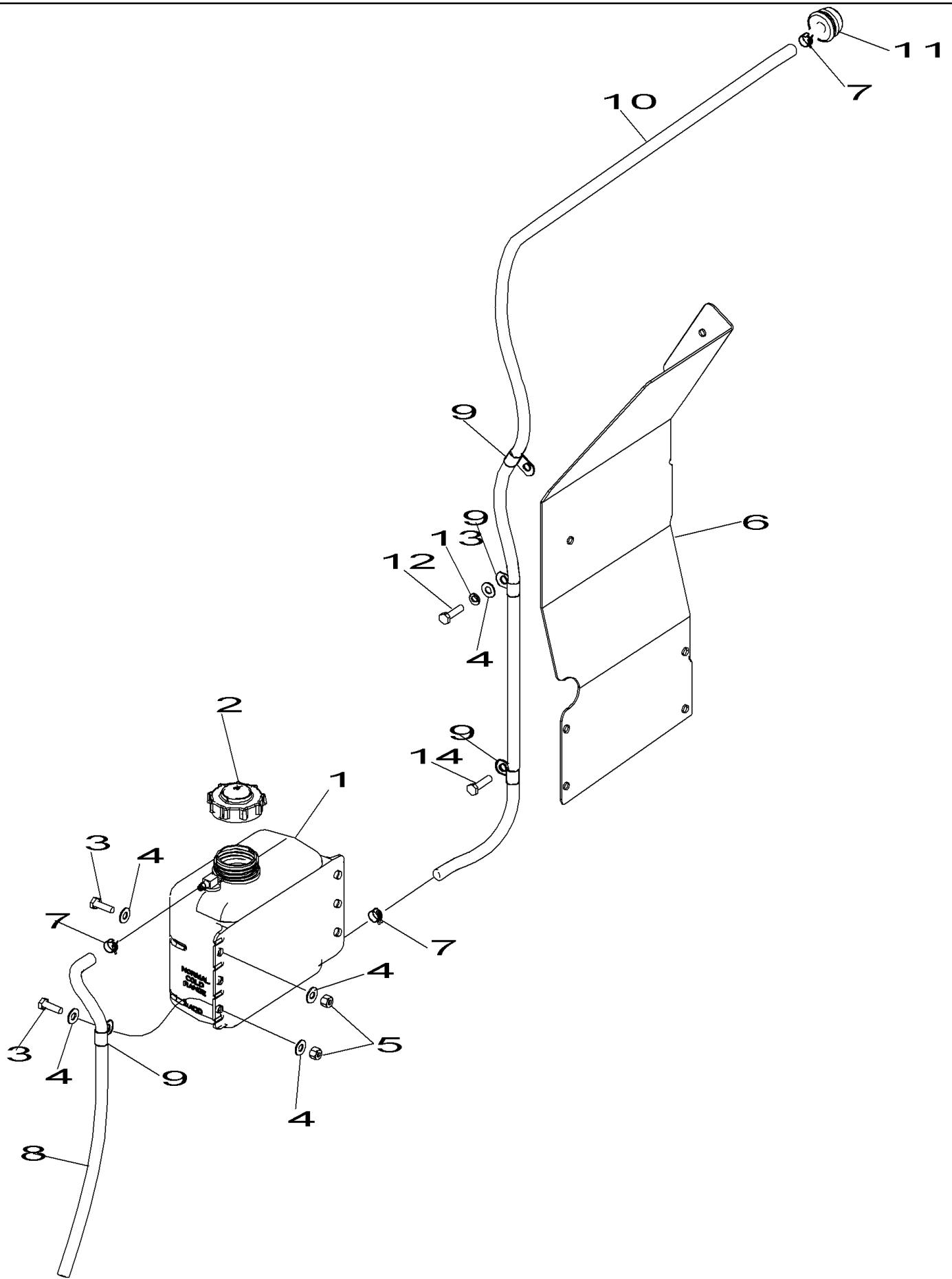
Ref	Part Number	Qty	Description
1	8602421	1	RADIATOR,
1A	A170241	1	CAP, RADIATOR,
3	892-11008	X	WASHER, LOCK, M8, M8
4	515-22190	1	CLAMP, 3/4", Insul, 5/16" Bolt,
5	833-40408	5	NUT, M8, U, M8
6	214-1436	5	CLAMP, #36, 1.81/2.75 Type F Worm,
6A	254026A1	1	CLAMP,
7	8500083	1	HOSE, 165 mm (6 1/2 in.); Top
8	8602655	1	TUBE, Top; If Used
9	382189A1	3	CLAMP,
10	217-292	1	ELBOW, 90e, 1/4" Hose x 1/8" NPTF, Barbed, 90 deg
11	214-1704	2	CLAMP, #4, 0.25/0.62 Type M Worm,
12	L18331	3	STRAP,
13	320374A1	1	HOSE, 925 mm (36 7/16 in.); Coolant Breather
14	8501025	1	HOSE, 110 mm (4 3/8 in.); If Used
15	8602661	1	TUBE, Top
16	381232A1	2	HOSE, 86 mm (3 3/8 in.); Elbow
17	L115548	3	CLAMP,
18	8500907	1	HOSE, 300 mm (11 7/8 in.); Bottom
19	393632A1	2	CLAMP,
20	8500079	1	TUBE, Bottom; Coolant
21	217-152	1	FITTING, 1/2" Hose X 3/8" NPTF Beaded,
22	214-1410	1	CLAMP, #10, 0.56/1.06 Type F Worm,
23	217-407	1	PLUG, Hex Hd, 3/8"-18, Used On Models Without Heater
24	8500085	1	HOSE, 318 mm (12 1/2 in.); Remote Coolant Drain
25	218-1255	1	NUT, LOCK, Blkh, 3/4"-16, BHD Lock; 3/4-16; 1/2 Tube
26	218-755	1	CAP, 37e, 3/4"-16, 37 deg Flare; 1/2 Tube
27	8500084	1	HOSE, 235 mm (9 1/4 in.); Bottom
28	217-191	1	FITTING, 1/4" Hose x 1/8" NPTF, Fem, Barbed,
29	J911901	1	VALVE, CHECK,
30	217-1035	1	FITTING, 1/2"-14 Male NPTF x 3/8"-18 Female NPTF, Bushing 1/2 NPTF Male x 3/8 NPTF Female
31	345-87	X	LOCTITE, Sealant 592; Used With Items 21, 30
32	8500820	1	PLATE, Radiator Drain Back
33	382188A2	1	PLATE, Spacer; If Used
34	419792A2	1	SENSOR, Coolant Level
35	87446948	1	TUBE, Top
36	87446950	1	TUBE, Top
2	627-8025	5	BOLT, Hex, M8 x 25, 10.9, M8 x 25; 10.9



02-03 FAN - BELT

Ref	Part Number	Qty	Description
1	8500471	1	FAN, Incl. 1A - 1E
1A	614-10025	4	BOLT, Hex, M10 x 25, 8.8, Full Thd, M10 x 25; 8,8
1B	8602420	1	FAN, 32 in. Blade
1C	8602953	1	LABEL, Engine Side"; Not Illustrated
1D	8602955	4	WASHER,
1E	8604700	1	HUB,
2	8602679	1	BELT, With Air Conditioning
3	8602680	1	BELT, Without Air Conditioning

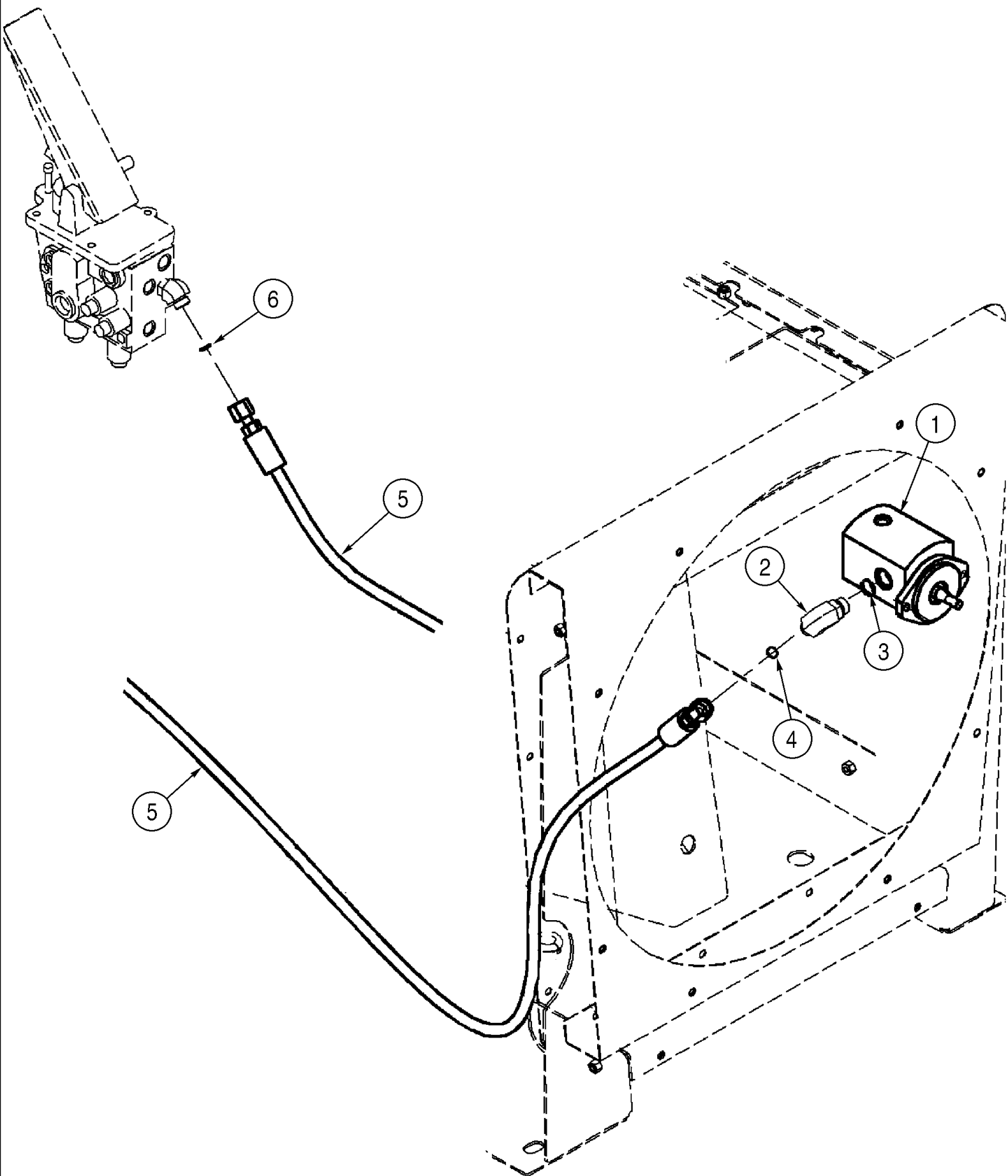
02-04 COOLANT RECOVERY SYSTEM



02-04 COOLANT RECOVERY SYSTEM

Ref	Part Number	Qty	Description
1	A184395	1	RESERVOIR,
2	1547924C1	1	CAP,
5	832-10408	4	NUT, M8 x 1.25, CI 8, M8
6	8602470	1	PLATE, Fan; Left
6A	8602667	1	PLATE, Fan; Right; Not Illustrated
7	A171099	3	CLAMP,
8	396120A1	1	HOSE, 495 MM (19-1/2 IN); Cut From 31-2855; Reservoir, Drain
9	515-23143	4	CLAMP, 9/16", Insul, 3/8" Bolt, 9/16 ID
10	8500318	1	HOSE, 2260 mm (89 in); Cut From 31-2855; Coolant Recovery
11	198824C1	1	GROMMET, 1/2 ID
13	892-11008	9	WASHER, LOCK, M8, M8; Lock
14	627-8035	1	BOLT, Hex, M8 x 35, 10.9, M8 x 35; Used In Bottom Hole, RH Only.
13	892-11008	4	WASHER, LOCK, M8, M8; Lock
12	627-8030	9	BOLT, Hex, M8 x 30, 10.9, M8 x 30; 10.9
3	627-8025	4	BOLT, Hex, M8 x 25, 10.9, M8 x 25; 10.9
4	895-15008	17	WASHER, M8 x 20 x 1.6, 9 x 20 x 1,6 mm

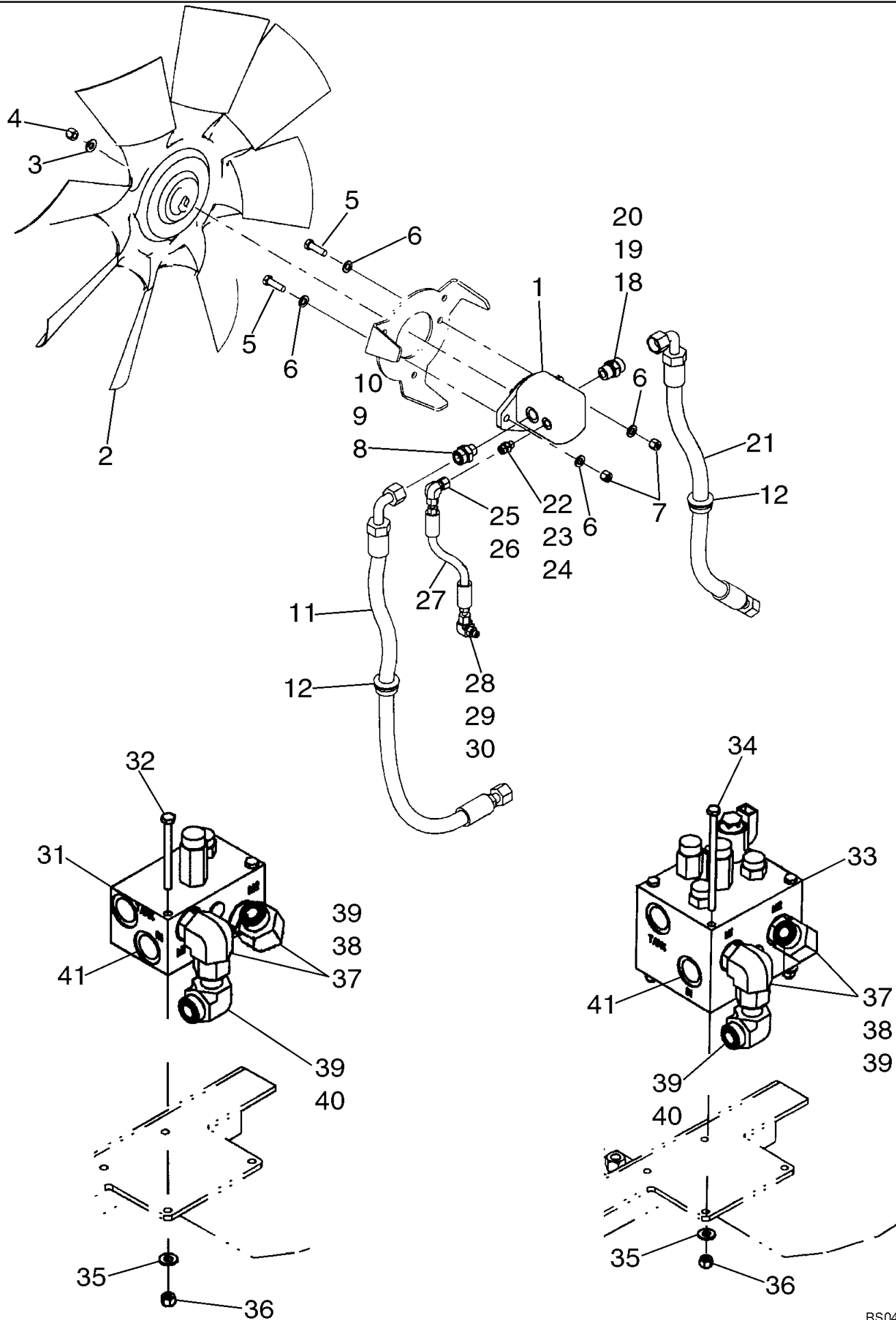
02-05 COOLING SYSTEM - MOTOR, DRIVE



02-05 COOLING SYSTEM - MOTOR, DRIVE

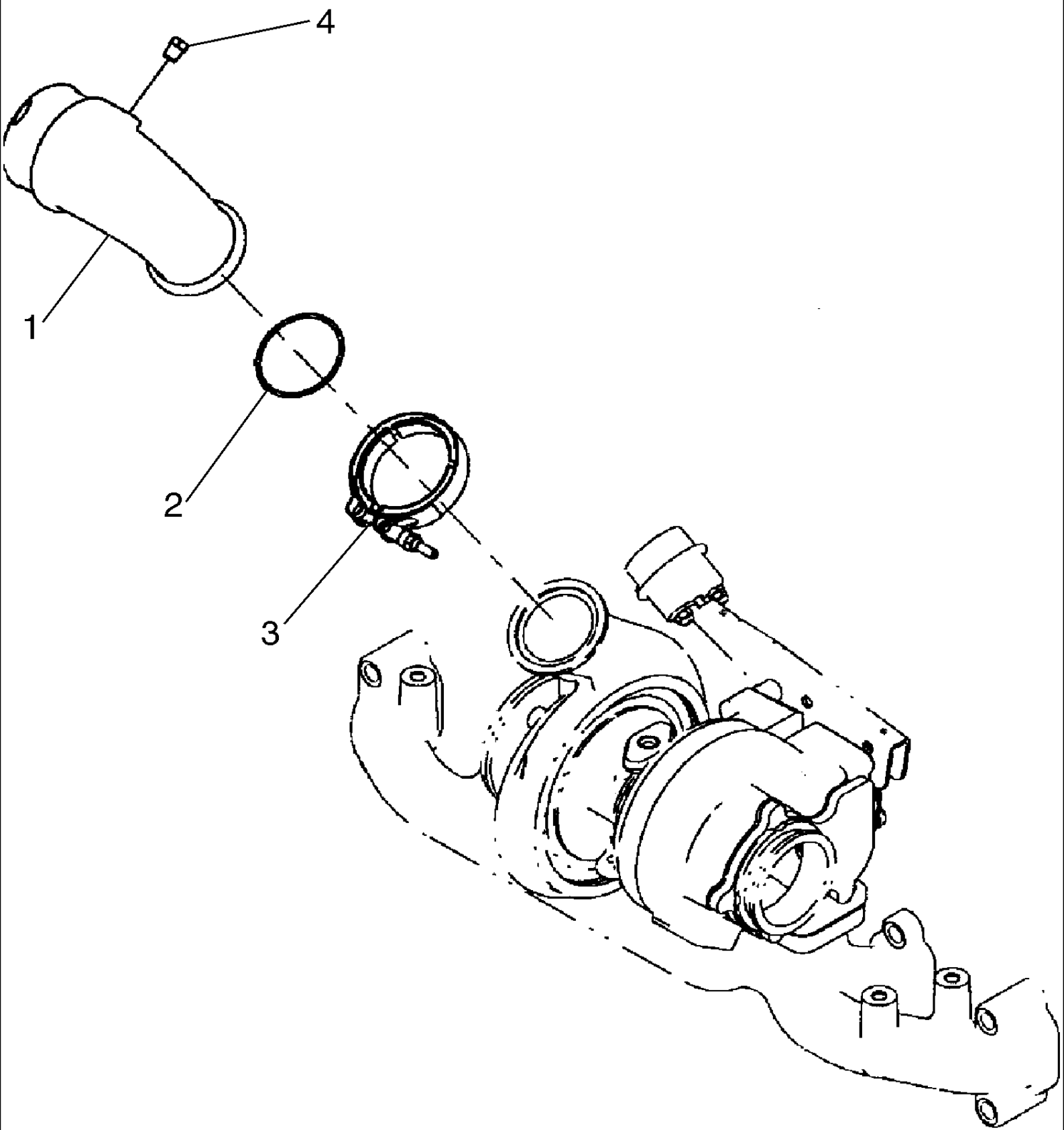
Ref	Part Number	Qty	Description
			STANDARD FAN DRIVE
1	400336A1	1	MOTOR, HYDRAULIC,
2	700-326	1	ELBOW, 90e, 13/16"-18 ORFS x M22 x 1.5 ORB, 13/16 fc sl x 22 orb; Incl. 3, 4
3	238-6014	1	O-RING, -014, 90 Duro, .489" ID x .070" Thk, Face Seal
4	637-63153	1	O-RING, CI 6, 15.3MM ID x 2.2 Thk, 15,3 ID x 2,2; Boss Seal
5	367870A1	1	HOSE ASSY., 2327 mm; Brake To Fan Drive
6	238-6014	1	O-RING, -014, 90 Duro, .489" ID x .070" Thk, Face Seal

02-06 COOLING SYSTEM - MOTOR, DRIVE



02-06 COOLING SYSTEM - MOTOR, DRIVE

Ref	Part Number	Qty	Description
	REF		INSTRUCTION, REVERSIBLE FAN DRIVE
1	8500105	1	MOTOR, HYDRAULIC, Reversible Fan; Incl. 1A
1A	86991683	1	KIT, Seal; Not Illustrated
2	8500471	1	FAN,
3	496-21053	1	WASHER, 17/32" x 1 1/6" x .134", 13,5 x 27 x 3,4 mm
4	232-2448	1	NUT, 1/2"-20, GC,
5	627-12040	2	BOLT, Hex, M12 x 40, 10.9, Full Thd, M12 x 40; 10.9
6	895-11012	4	WASHER, M12 x 24 x 2.5, 13,5 x 24 x 3 mm
7	832-10412	2	NUT, LOCK, M12 x 1.75, CI 8, M12
8	700-107	1	CONNECTOR, HYD., 1 3/16"-12 ORFS x M22 x 1.5 ORB, Incl. 9, 10
9	238-6018	1	O-RING, -018, 90 Duro, .739" ID x .070" Thk, Face Seal
10	637-63193	1	O-RING, CI 6, 19.3MM ID x 2.2 Thk, 19,3 ID x 2,2; Boss Seal
11	8605293	1	HOSE, FLEXIBLE, 1140 mm; Fan Forward
12	8500186	2	GROMMET,
18	700-104	1	CONNECTOR, HYD., 1 3/16"-12 ORFS x M27 x 2 ORB, Incl. 19, 20
19	238-6018	1	O-RING, -018, 90 Duro, .739" ID x .070" Thk, Face Seal
20	637-64236	1	O-RING, CI 6, 23.6MM ID x 2.9 Thk, 23,6 ID x 2,9; Boss Seal
21	8605292	1	HOSE, FLEXIBLE, 880 mm; Fan Reverse
22	700-101	1	CONNECTOR, HYD., 1 1/16"-16 ORFS x M14 x 1.5 ORB, Incl. 23, 24
23	238-6012	1	O-RING, -012, 90 Duro, .364" ID x .070" Thk, Face Seal
24	637-63113	1	O-RING, CI 6, 11.3MM ID x 2.2 Thk, 11,3 ID x 2,2; Boss Seal
25	701-319	1	ELBOW, 90e, 1 1/16"-16 ORFS x 1 1/16"-16 Fem Sw, Incl. 26
26	238-6012	1	O-RING, -012, 90 Duro, .364" ID x .070" Thk, Face Seal
27	8500183	1	HOSE, FLEXIBLE, 309 mm; Drain
28	700-304	1	ELBOW, 90e, 1 1/16"-18 ORFS x M14 x 1.5 ORB, Incl. 29, 30
29	238-6012	1	O-RING, -012, 90 Duro, .364" ID x .070" Thk, Face Seal
30	637-63113	1	O-RING, CI 6, 11.3MM ID x 2.2 Thk, 11,3 ID x 2,2; Boss Seal
	REF		INSTRUCTION, FAN RELIEF VALVE - IF USED
31	8500562	1	VALVE, HYDRAULIC, Fan Relief; If Used; See Figure 02-10
32	827-8090	2	BOLT, Hex, M8 x 90, 10.9, M8 x 90; 10,9
	REF		INSTRUCTION, FAN REVERSER VALVE - IF USED
33	8500563	1	VALVE, HYDRAULIC, Fan Reverser; If Used; See Figure 02-10
34	814-8140	4	BOLT, Hex, M8 x 140, 8.8, M8 x 140; 8,8
35	895-15008	6	WASHER, M8 x 20 x 1.6, 9 x 20 x 1,6 mm



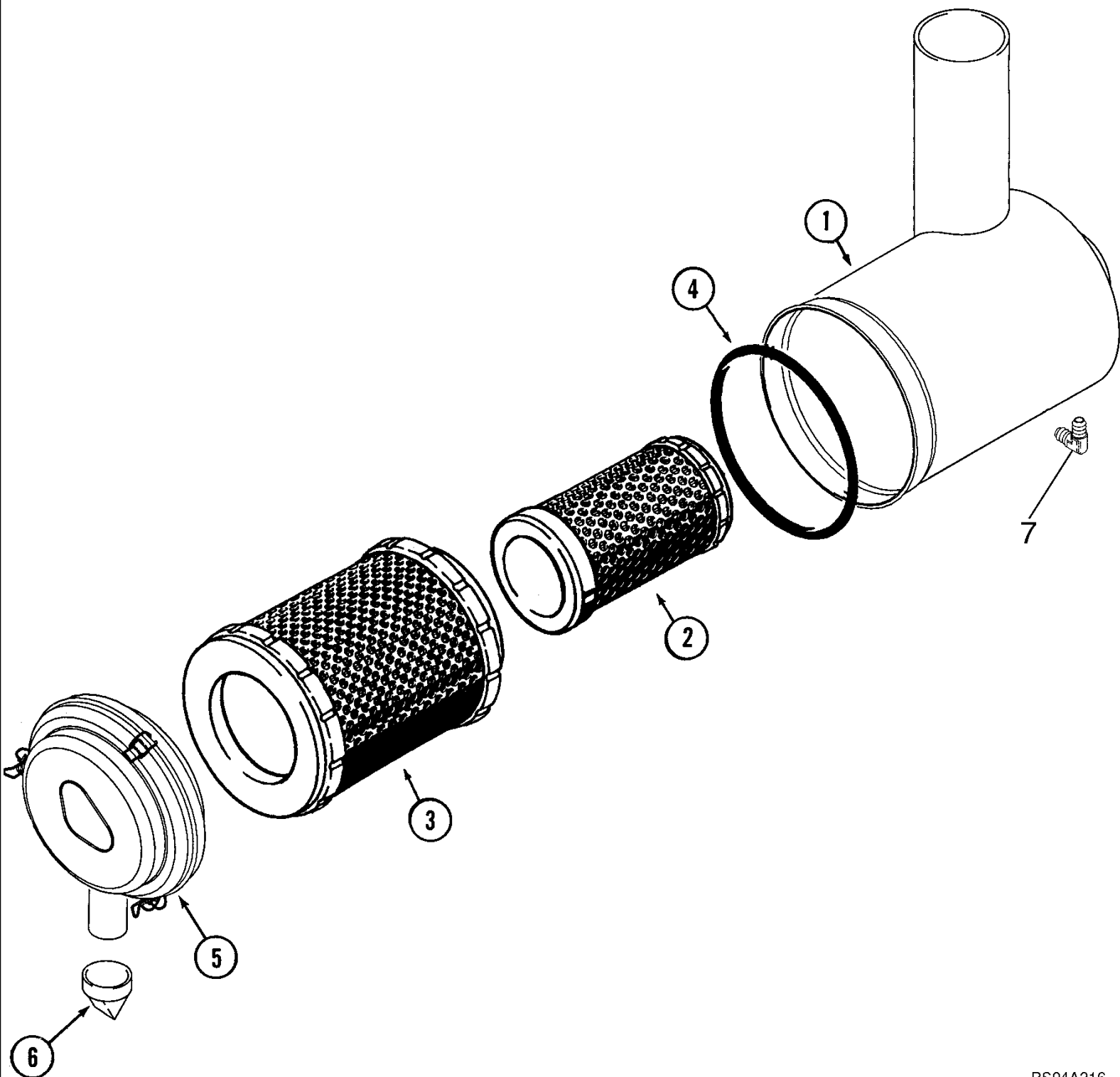
02-07 TURBO OUTLET

Ref	Part Number	Qty	Description
1	4895141	1	ELBOW, Turbo Outlet Air Transfer
2	4899087	1	O-RING, Turbo Outlet
3	2852407	1	COLLAR CLAMP, Turbo Outlet
4	4895098	1	PLUG, 1/8-27 NPTF

02-08 AIR CLEANER - AIR INTAKE PARTS

Ref	Part Number	Qty	Description
2	8500068	1	AIR CLEANER, See Figure 02-09
3	8605331	3	CLAMP,
4	896-11010	10	WASHER, M10 x 21.5 x 2.5, HT, 11 x 21 x 2,5 mm
5	832-10410	8	NUT, LOCK, M10 x 1.5, Cl 8,
6	627-10030	10	BOLT, Hex, M10 x 30, 10.9, Full Thd,
7	896-11012	1	WASHER, M13.5 x 24.5 x 3, HT, 13,5 x 24 x 3 mm
8	627-12030	1	BOLT, Hex, M12 x 30, 10.9, M12 x 30; 10.9
9	8500383	1	PIPE ASSY., Intake
10	8500403	1	SEAL,
11	8501205	1	HOSE, 73 mm (2 7/8 in); Air Cleaner
12	8602473	1	TUBE, Air Cleaner Intake
13	8501206	1	HOSE, 1050 mm (41 3/8 in); Crankcase Ventilation
14	L127771	4	CLAMP,
15	8602478	1	HOSE, 100 mm (4 in); Air Cleaner
16	214-1416	2	CLAMP, #16, 0.81/1.50 Type F Worm,
17	896-11008	2	WASHER, M8 x 17.5 x 2, HT, 9 x 17 x 2 mm
18	627-8025	2	BOLT, Hex, M8 x 25, 10.9, M8 x 25; 10.9
19	214-3188	1	CLAMP, 4.75/6.625 HD Worm,
20	L11541	1	STRAP,
21	87437892	1	BRACE, Air Cleaner; Replaces 8605495, 8605863, 87433055
22	896-15010		WASHER, M10 x 24.5 x 3, HT, 11 x 24 x 3 mm
23	87446946	1	BRACKET, Muffler, Air Cleaner; If Used
	258541A1	1	PRECLEANER, Air Inlet; Incl. 24-27
24	NSS	1	NOT SERVICED SEPARATELY, Sleeve Assy.
25	L30671	1	HOUSING,
26	214-1480	1	CLAMP, #80, 4.62/5.50 Type F Worm,
27	L30669	1	COVER,

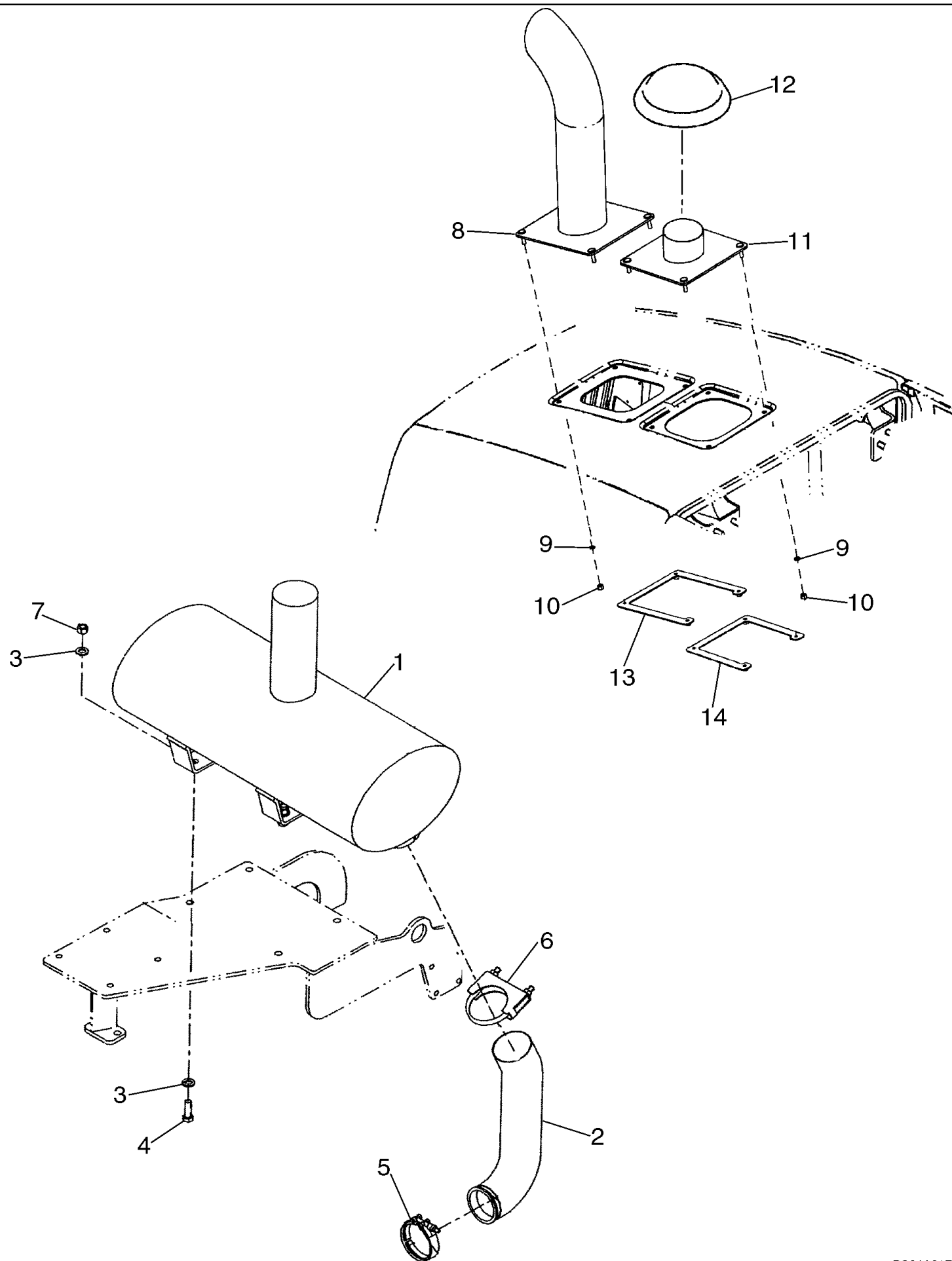
02-09 AIR CLEANER ASSY



02-09 AIR CLEANER ASSY

Ref	Part Number	Qty	Description
	8500068	1	AIR CLEANER, Incl. 1 - 6
1	NSS		NOT SERVICED SEPARATELY, Body
2	8605140	1	FILTER, AIR, Secondary; Replaces 8501333
3	8605139	1	FILTER, AIR, Primary; Replaces 8501334
4	8605078	1	O-RING,
5	8605079	1	COVER,
6	8604231	1	VALVE,
7	217-1227	1	ELBOW, 90c, 1/8"-27 Male, 1/8 - 27 90 deg Pipe

02-10 MUFFLER - EXHAUST AND INTAKE



02-10 MUFFLER - EXHAUST AND INTAKE

Ref	Part Number	Qty	Description
1	8500155	1	MUFFLER, Standard; Replaced By 87309816
1	87309816	1	TUBE, Standard; Replaces 8500155
2	8500087	1	TUBE,
3	896-11012	8	WASHER, M13.5 x 24.5 x 3, HT, 13,5 x 24 x 3 mm
4	627-12035	4	BOLT, Hex, M12 x 35, 10.9, M12 x 35; 10.9
5	J903652	1	CLAMP,
6	299456A1	1	COLLAR CLAMP,
7	829-1412	4	NUT, M12, CI 10, M12
8	8500375	1	PIPE, EXHAUST SYSTEM,
9	895-18010	8	WASHER, M10 x 18 x 1.6,
10	832-10410	8	NUT, LOCK, M10 x 1.5, CI 8,
11	8500379	1	PIPE ASSY., Intake
12	8501036	1	CAP, Rain
13	408196A1	1	PLATE, Exhaust Backing
14	8500382	1	PLATE, Intake Backing



Suggest:

If the above button click is invalid.

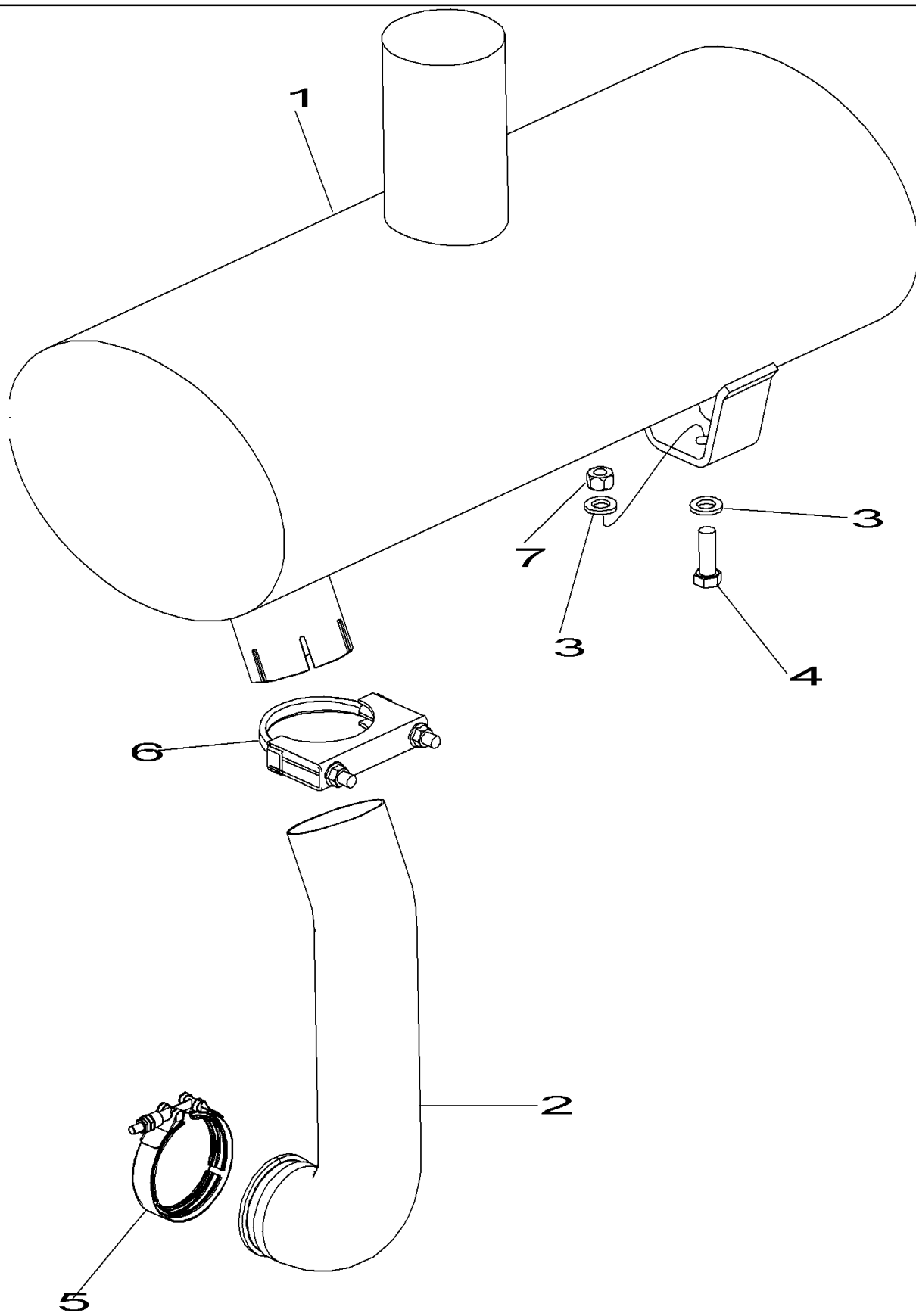
Please download this document

first, and then click the above link

to download the complete manual.

Thank you so much for reading

02-11 MUFFLER - EXHAUST SYSTEM



<https://www.ebooklibonline.com>

Hello dear friend!

Thank you very much for reading.

Enter the link into your browser.

The full manual is available for immediate download.

<https://www.ebooklibonline.com>