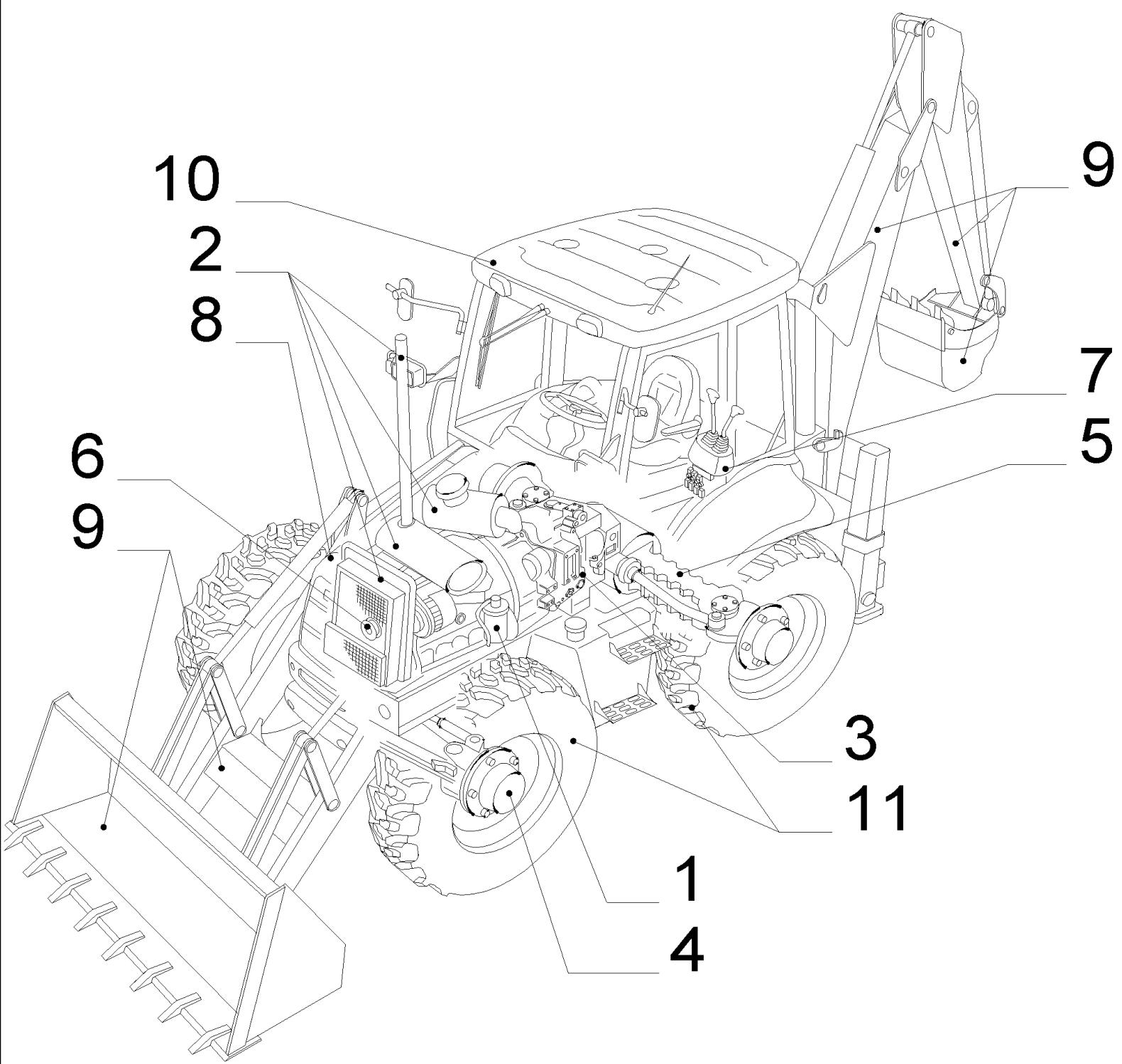


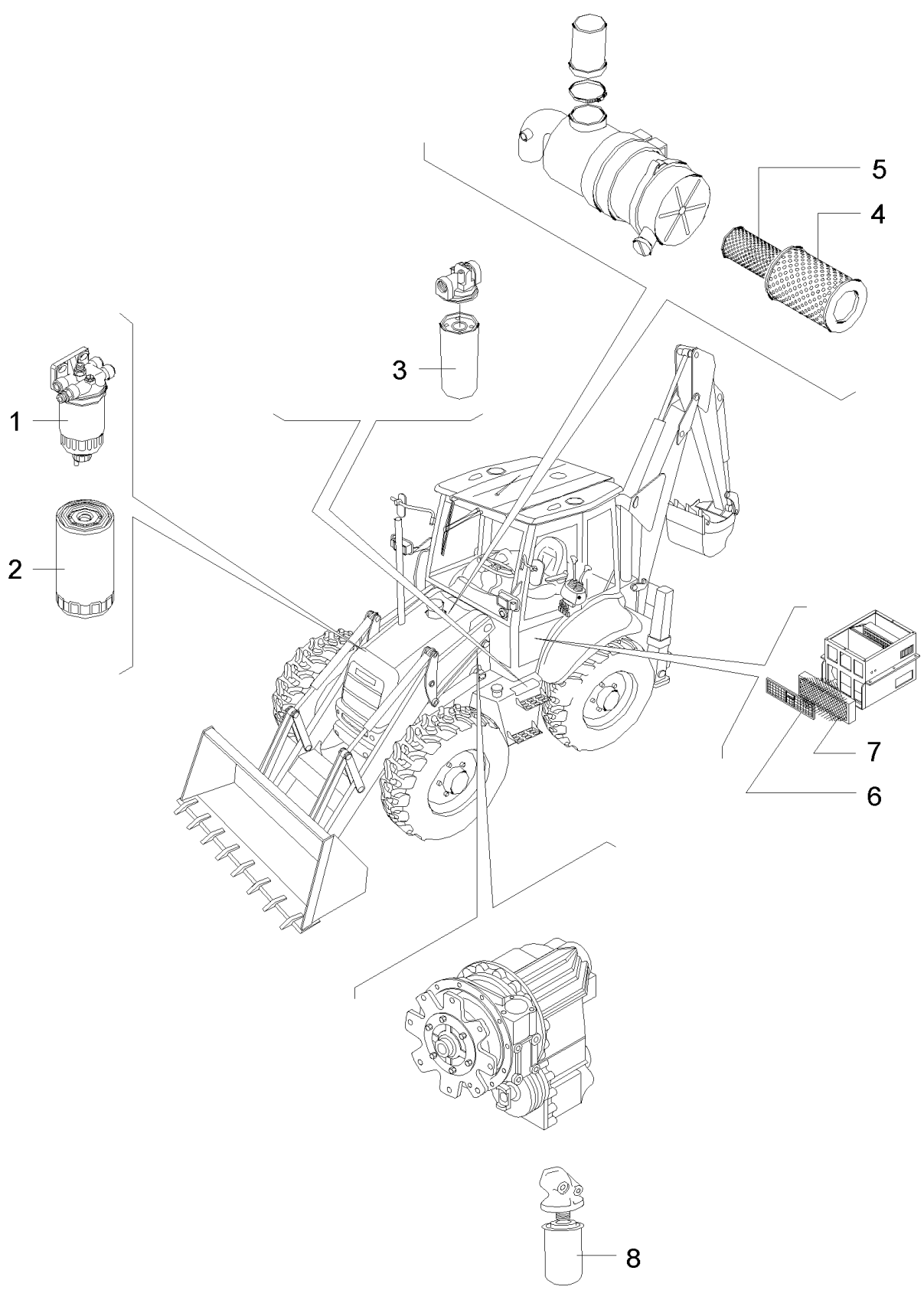


PARTS CATALOGUE

BACKHOE LOADER
590SR Series 2

MAIN SECTIONS





<https://www.ebooklibonline.com>

Hello dear friend!

Thank you very much for reading.

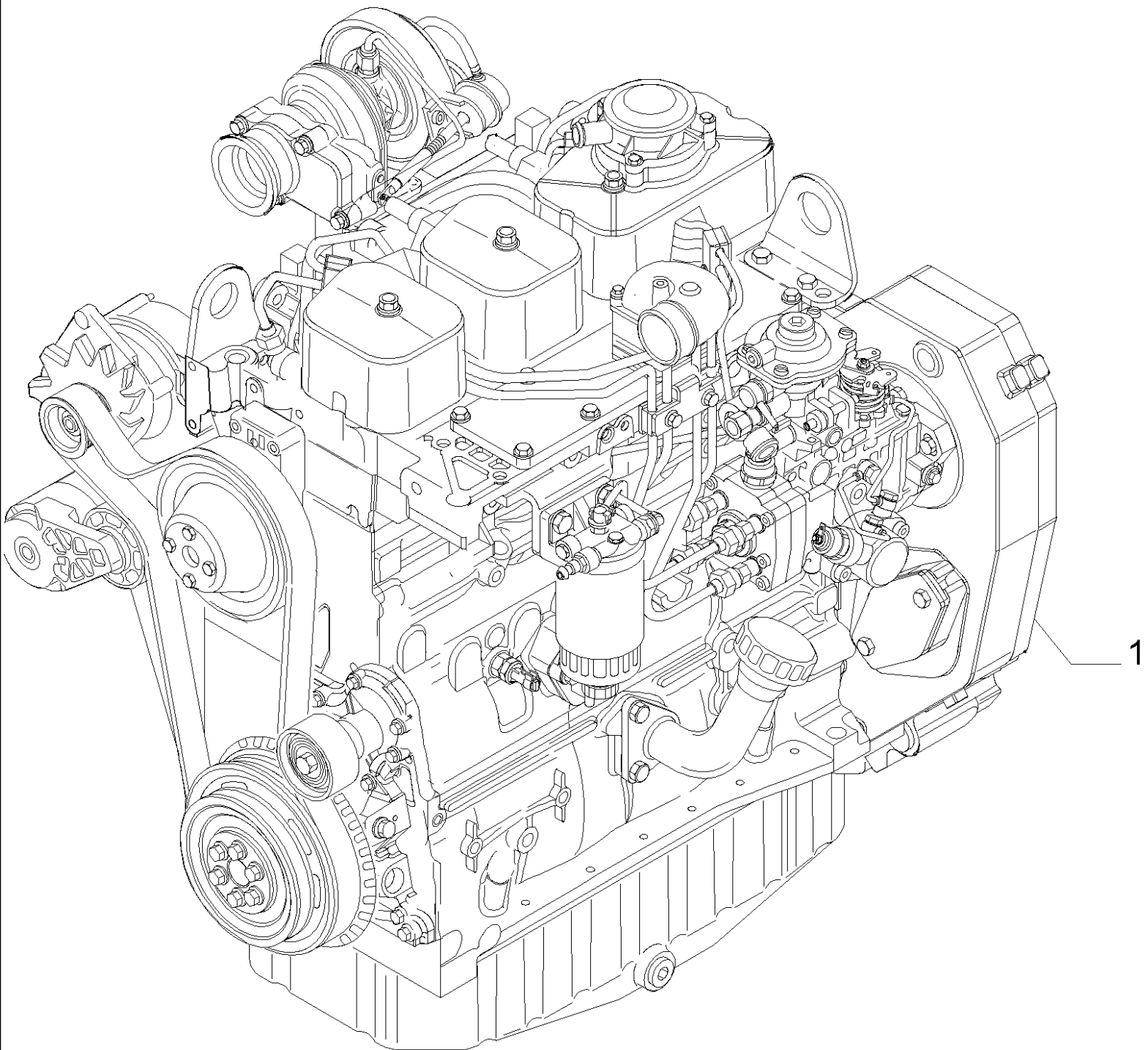
Enter the link into your browser.

The full manual is available for immediate download.

<https://www.ebooklibonline.com>

MPARTS(00) MAITENANCE PARTS

Ref	Part Number	Qty	Description
1	47135707	1	FILTER, FUEL, , See Page 0.200 Ref : 6
2	87803261	1	FILTER, ENGINE OIL, , See Page 0.302 Ref : 1
3	85825356	1	FILTER, ELEMENT, , See Page 1.82.6 06 Ref : 1
4	87438248	1	FILTER, AIR,
5	87438245	1	FILTER, AIR,
6	85826027	1	FILTER, AIR, , See Page 1.94.2 02 Ref : 4
7	85826033	1	FILTER, AIR, , See Page 1.94.2 02 Ref : 3
8	85817004	1	FILTER, , Power Shuttle See Page 1.28 -A 03 Ref : 11 And See Page 1.28 -B 03 Ref : 14
8	85826021	1	FILTER, HYDRAULIC OIL, , Power Shift See Page 1.28 -C 01 Ref : 3

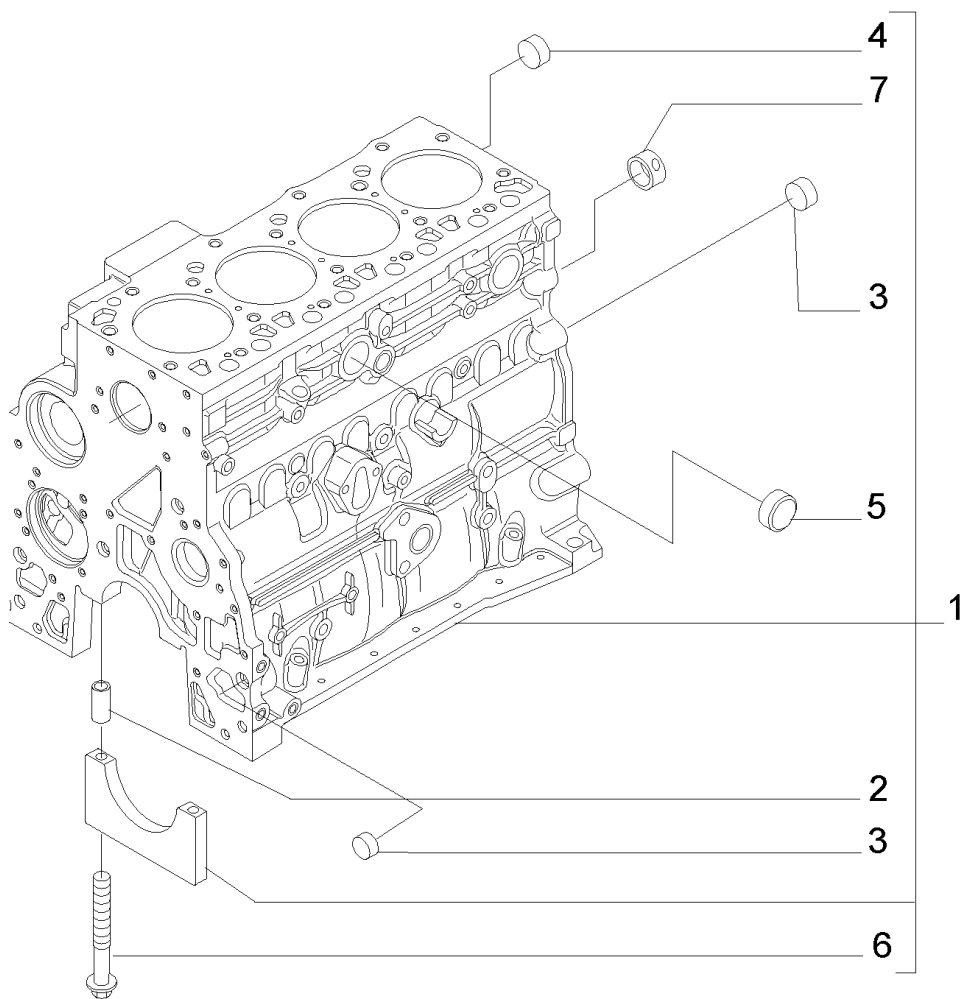


590SR CASE SERIES-2 SUPER-R BACKHOE LOADER (3/05-)

0.021-01(01) ENGINE

Ref	Part Number	Qty	Description
1	86990711	1	ENGINE, - ASSY, UP TO S/N N5GH04353
1	87342413	1	ENGINE, - ASSY, FROM TO S/N N5GH04354 (12/01/2005)

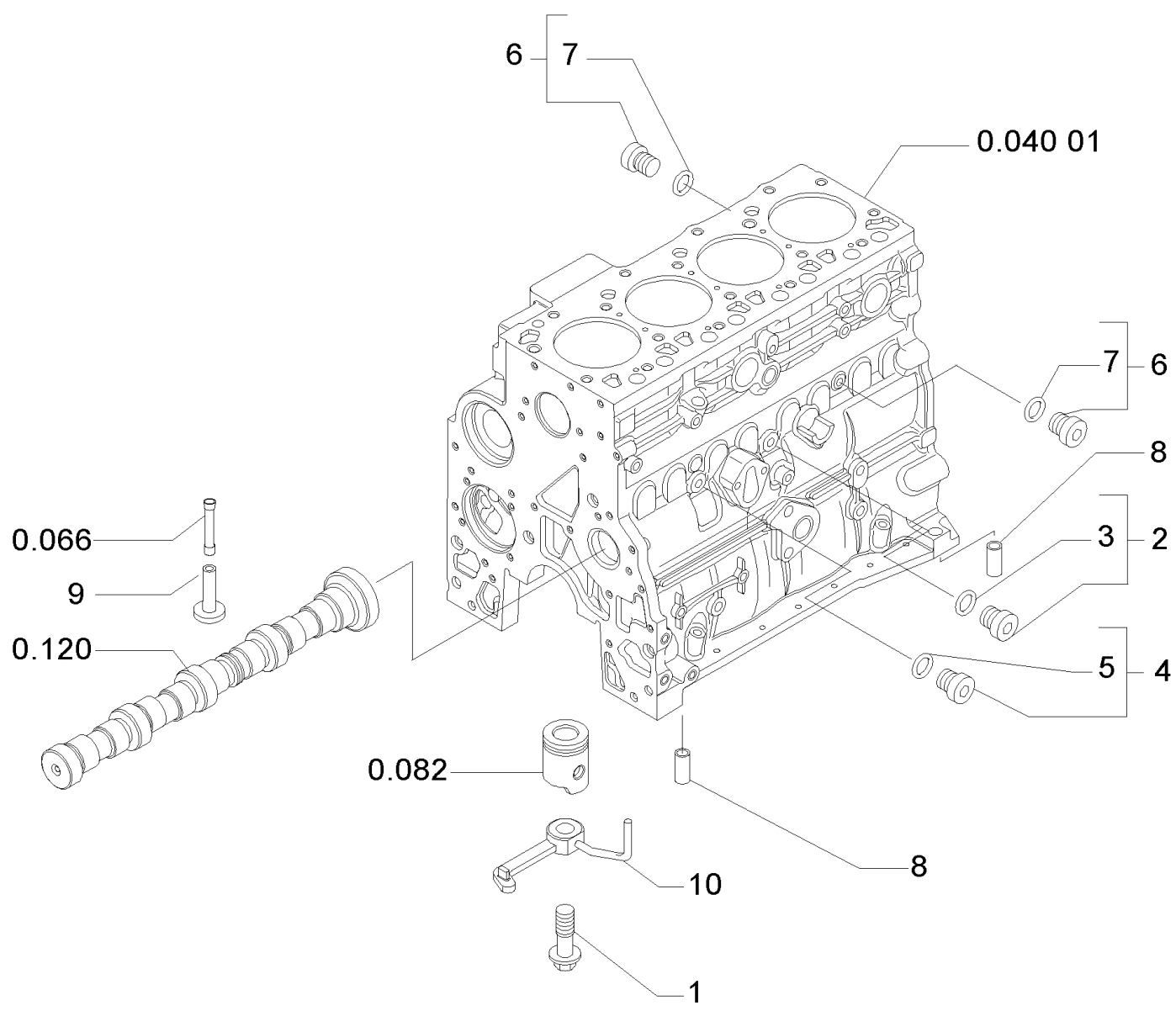
0.040(01) CYLINDER BLOCK



0.040(01) CYLINDER BLOCK

Ref	Part Number	Qty	Description
1	2830082	1	CYLINDER BLOCK, - ASSY, Includes 2 to 7
2	4899026	10	DOWEL,
3	4895039	3	PLUG,
4	4895038	4	PLUG,
5	4895228	2	PLUG,
6	4891353	10	SCREW, Flg Hd, M12 x 1.5 x 120,
7	4895040	1	BUSHING,

0.040(02) CYLINDER BLOCK

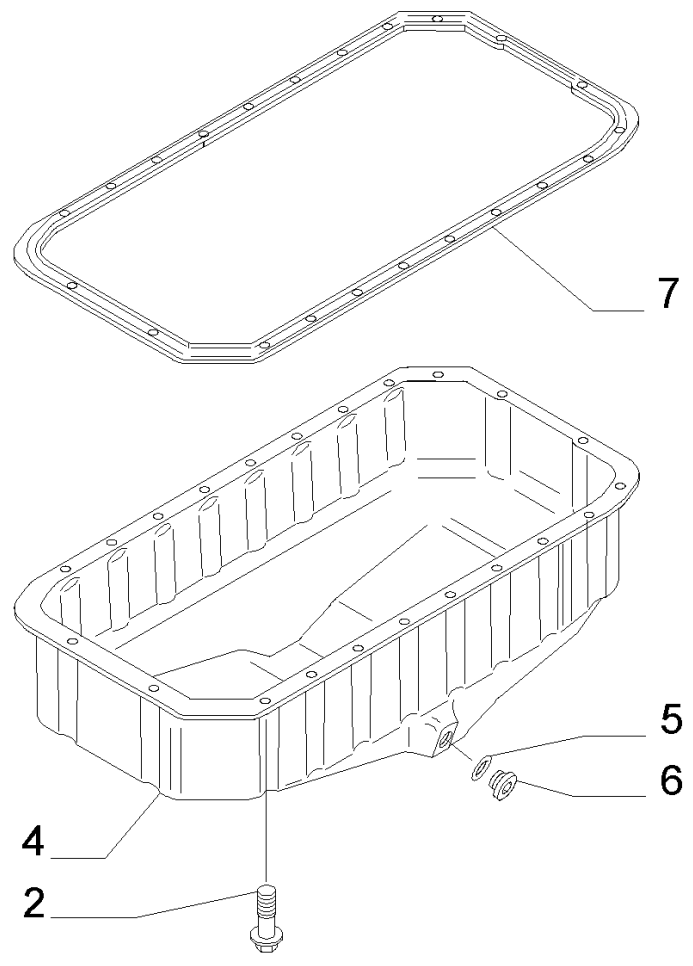
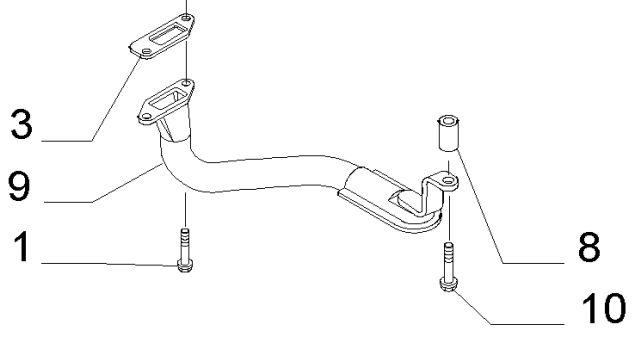
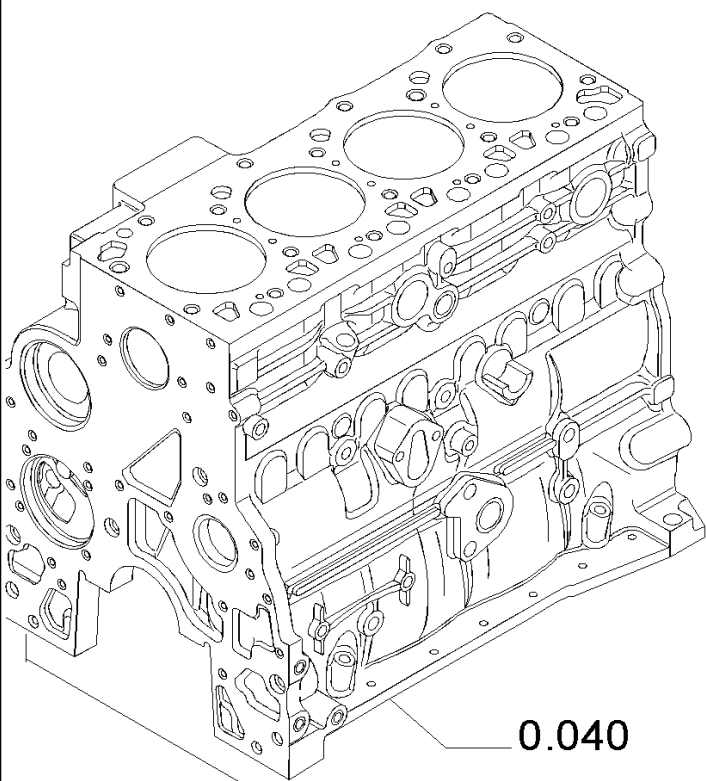


590SR CASE SERIES-2 SUPER-R BACKHOE LOADER (3/05-)

0.040(02) CYLINDER BLOCK

Ref	Part Number	Qty	Description
1	4894218	4	SCREW,
2	4895605	1	PLUG, 14x1.5 , Includes 3
3	4899115	1	O-RING,
4	4899009	1	PLUG, 10x1.5 , Includes 5
5	4899072	1	O-RING,
6	4895392	2	PLUG, 18x1.5, Includes 7
7	4895393	1	O-RING,
8	4895049	2	DOWEL,
9	4895180	8	TAPPET,
10	504047260	4	NOZZLE, LUB. OIL JET,

0.042(01) OIL PUMP, PAN

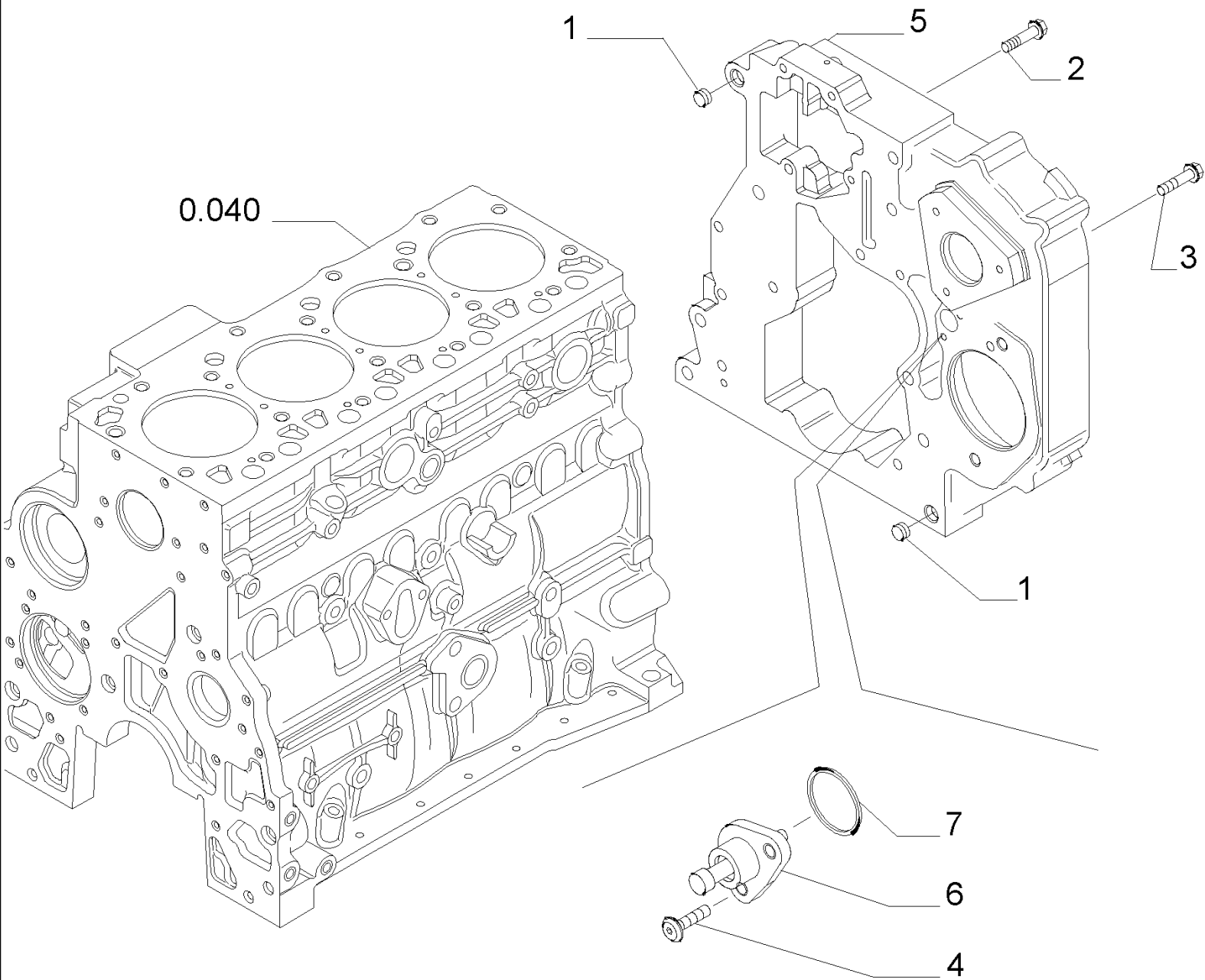


590SR CASE SERIES-2 SUPER-R BACKHOE LOADER (3/05-)

0.042(01) OIL PUMP, PAN

Ref	Part Number	Qty	Description
1	18138424	2	SCREW, Hex Flg, M8 x 1.25 x 20, 8x20
2	4899091	22	SCREW, Hex Flg, M8 x 1.25 x 40, M8X1.25X40
2	4895489	2	SCREW, M8X1.25X110
3	4898301	1	GASKET,
4	504043550	1	PAN, ENGINE OIL,
5	4895584	1	O-RING, 23,4X2,6
6	4894139	1	PLUG, 22x1.5
7	504069777	1	GASKET,
8	504062812	1	SPACER,
9	504051893	1	STRAINER, ELEMENT,
10	4895538	1	SCREW,

0.043(01) CYLINDER BLOCK - COVERS

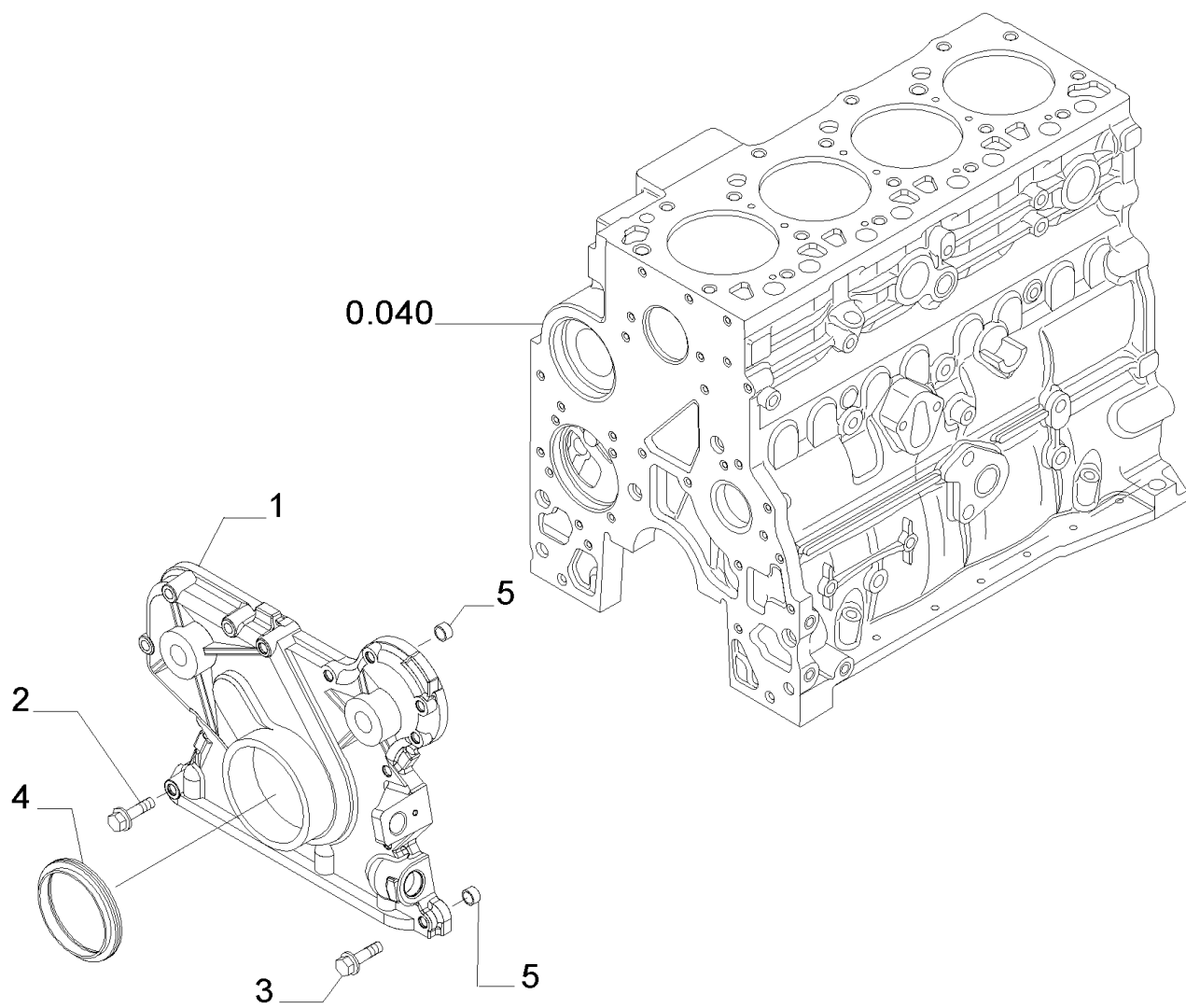


590SR CASE SERIES-2 SUPER-R BACKHOE LOADER (3/05-)

0.043(01) CYLINDER BLOCK - COVERS

Ref	Part Number	Qty	Description
1	4899026	2	DOWEL,
2	4899091	4	SCREW, Hex Flg, M8 x 1.25 x 40,
3	4899093	5	SCREW, Hex Flg, M10 x 1.5 x 30,
3	4899073	2	SCREW, Hex Flg, M12 x 1.75 x 30,
4	4895355	2	SCREW, Torx Rd Hd, M5 x .8 x 17,
5	504097164	1	
6	504074001	1	COVER,
7	17278780	1	O-RING,

0.043(02) CYLINDER BLOCK - COVERS

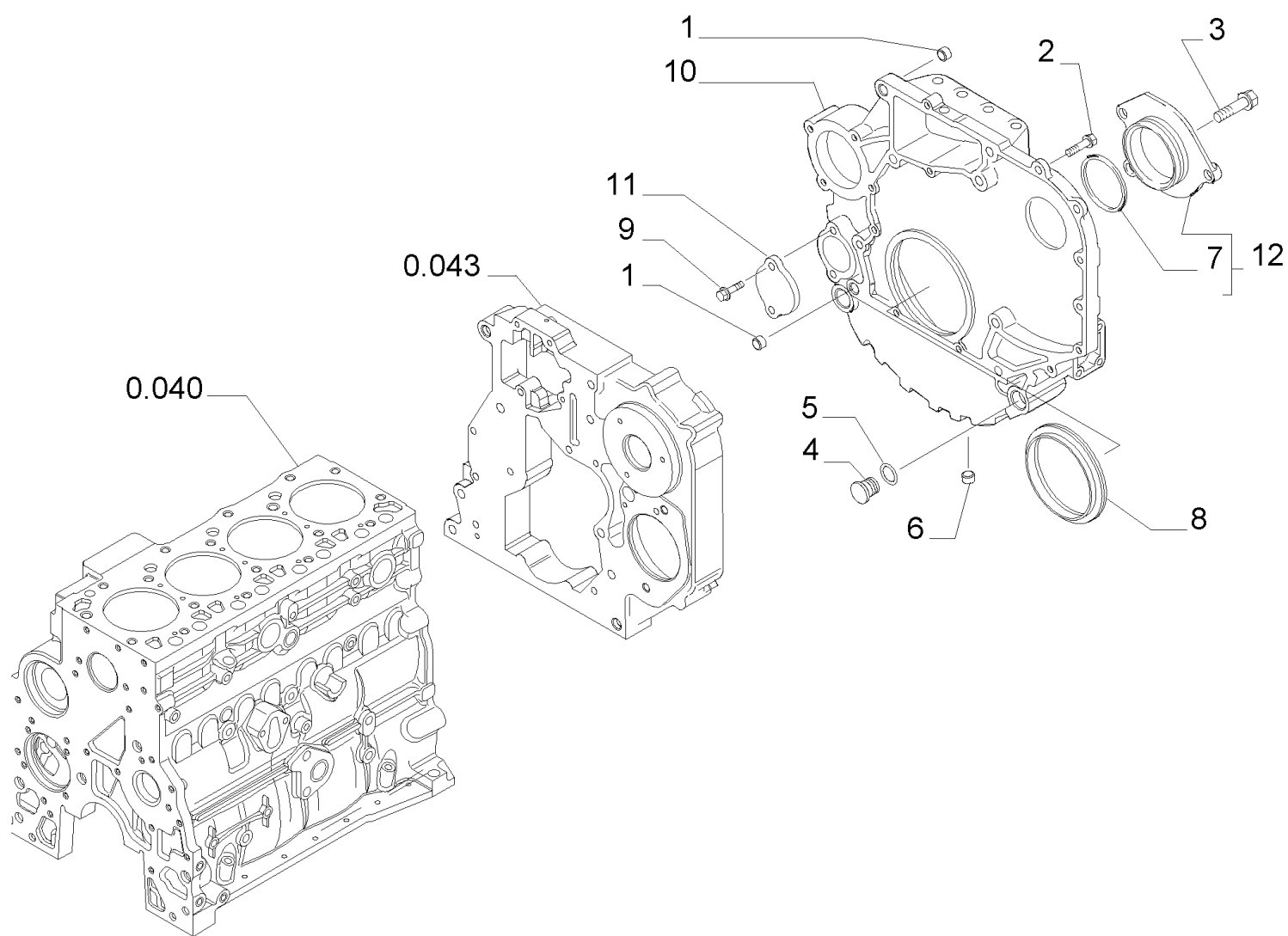


590SR CASE SERIES-2 SUPER-R BACKHOE LOADER (3/05-)

0.043(02) CYLINDER BLOCK - COVERS

Ref	Part Number	Qty	Description
1	4897024	1	COVER,
2	4899078	5	SCREW, Hex Flg, M8 x 1.25 x 45,
3	4899063	8	SCREW, Hex Flg, M8 x 1.25 x 30,
4	4890832	1	SEAL,
5	4891209	2	DOWEL,

0.043(03) CYLINDER BLOCK - COVERS

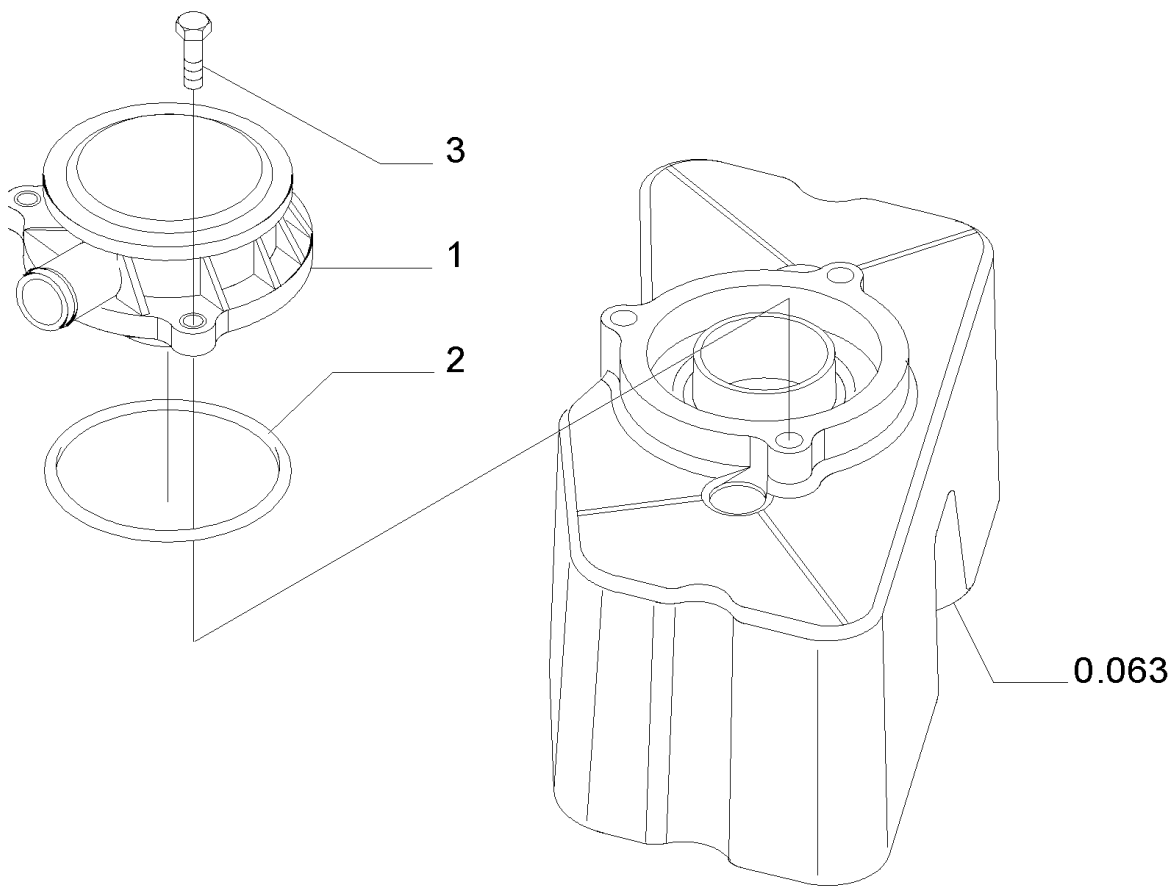


590SR CASE SERIES-2 SUPER-R BACKHOE LOADER (3/05-)

0.043(03) CYLINDER BLOCK - COVERS

Ref	Part Number	Qty	Description
1	4899026	2	DOWEL,
2	4899109	3	SCREW, Hex, M10 x 1.5 x 80,
2	4899076	5	SCREW, Hex Flg, M12 x 1.75 x 80, M12X80
2	4899074	2	SCREW, Hex Flg, M12 x 1.75 x 120, M12X1,75X120
2	504080094	2	SCREW,
2	4899143	1	SCREW, Hex Flg, M10 x 1.5 x 140, M10X1,5X140
3	4892915	8	SCREW, M10x1.5x40
3	18138424	3	SCREW, Hex Flg, M8 x 1.25 x 20, M8X1,25X20
4	4895378	2	PLUG,
5	17288480	2	O-RING, 21,82X3,53
6	4895079	1	PLUG,
7	17285481	1	GASKET, 75X87X2,62
8	4890833	1	SEAL,
9	4899068	2	SCREW, Hex Flg, M8 x 1.25 x 16, M8X1,25X13
10	504069775	1	COVER,
11	4895155	1	COVER,
12	2854073	1	COVER, - ASSY

0.045(01) BREATHER - ENGINE



0.045(01) BREATHER - ENGINE

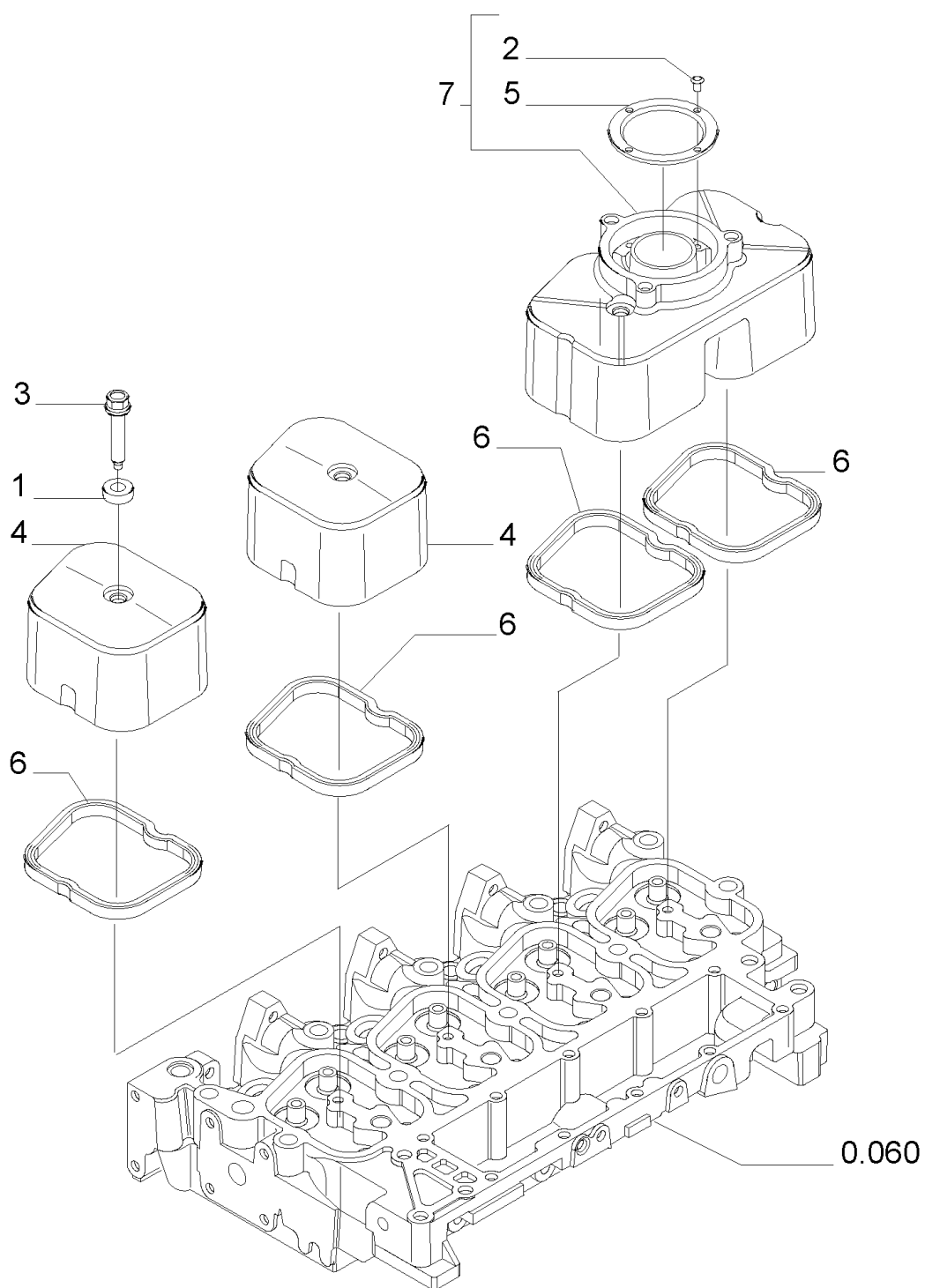
Ref	Part Number	Qty	Description
1	500315794	1	BREATHER,
2	500315795	1	GASKET,
3	4899110	3	SCREW, Hex Flg, M6 x 1 x 20,

590SR CASE SERIES-2 SUPER-R BACKHOE LOADER (3/05-)

0.060(01) CYLINDER HEAD

Ref	Part Number	Qty	Description
1	4892861	4	SCREW, Wash Hd, M12 x 1.25 x 73,
2	4892859	10	SCREW, Wash Hd, M12 x 1.25 x 143,
3	4895790	1	CYLINDER HEAD, , Includes 12, 13, 14
4	4895183	16	COTTER, ROCKER ARM,
5	4895188	4	VALVE, ENG EXHAUST, STD,
6	4895187	4	VALVE, ENGINE, INLET, STD,
7	4895347	8	CUP,
8	4895215	8	SPRING,
9	4895184	8	CUP,
10	4899009	1	PLUG, 10X1.5, Includes 11
11	4899072	1	O-RING,
12	4895179	3	PLUG,
13	4897178	4	VALVE SEAT,
14	4897179	4	VALVE SEAT,
15	2830919	1	GASKET, CYLINDER HEAD, SP= 1.25
16	4895078	5	PLUG,

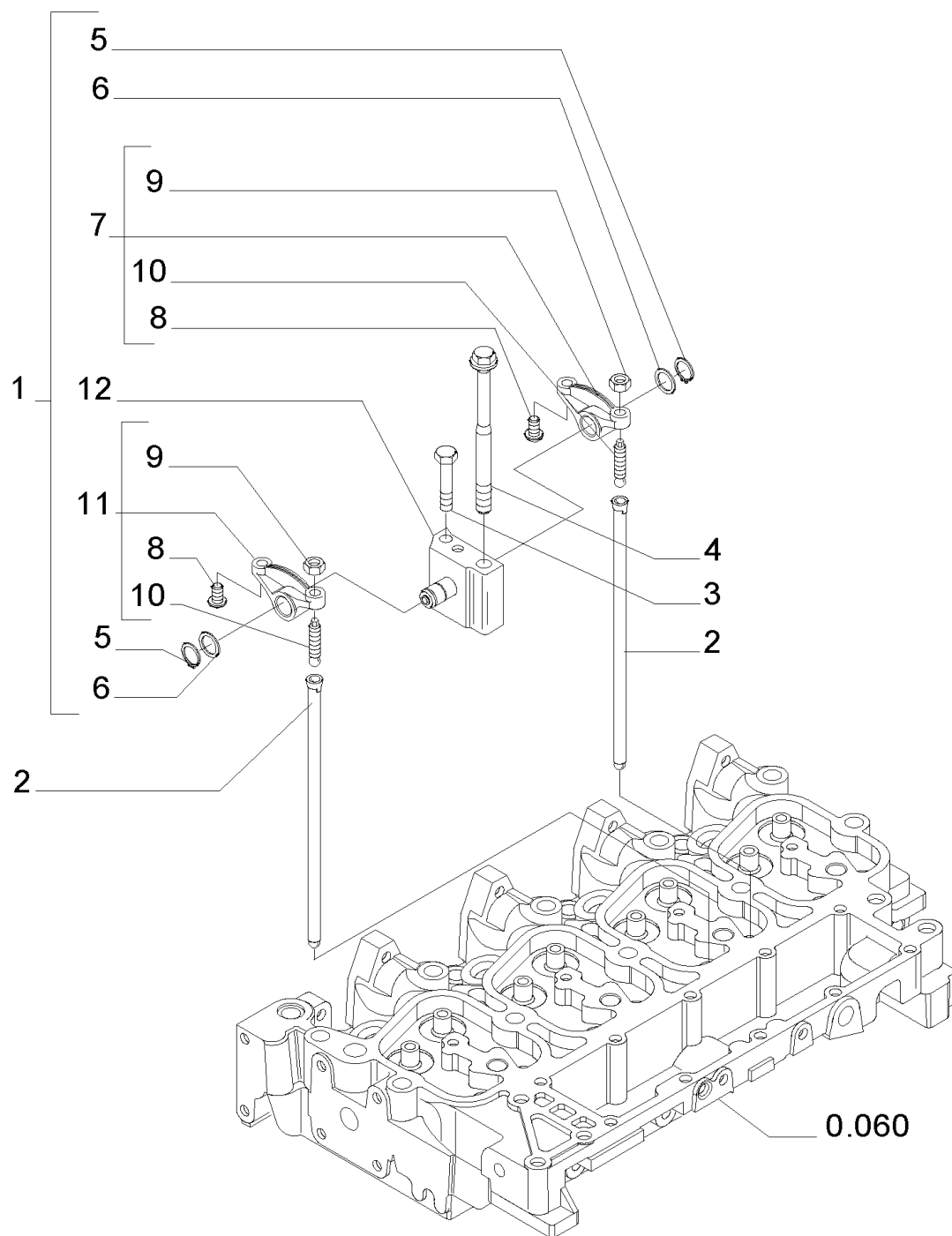
0.063(01) CYLINDER HEAD - COVERS



0.063(01) CYLINDER HEAD - COVERS

Ref	Part Number	Qty	Description
1	4895360	4	BUSHING,
2	16784504	4	SCREW,
3	4895214	4	SCREW,
4	504065040	2	COVER,
5	2830775	1	BAFFLE,
6	504053522	4	GASKET,
7	2830784	1	COVER, , Includes 2, 5

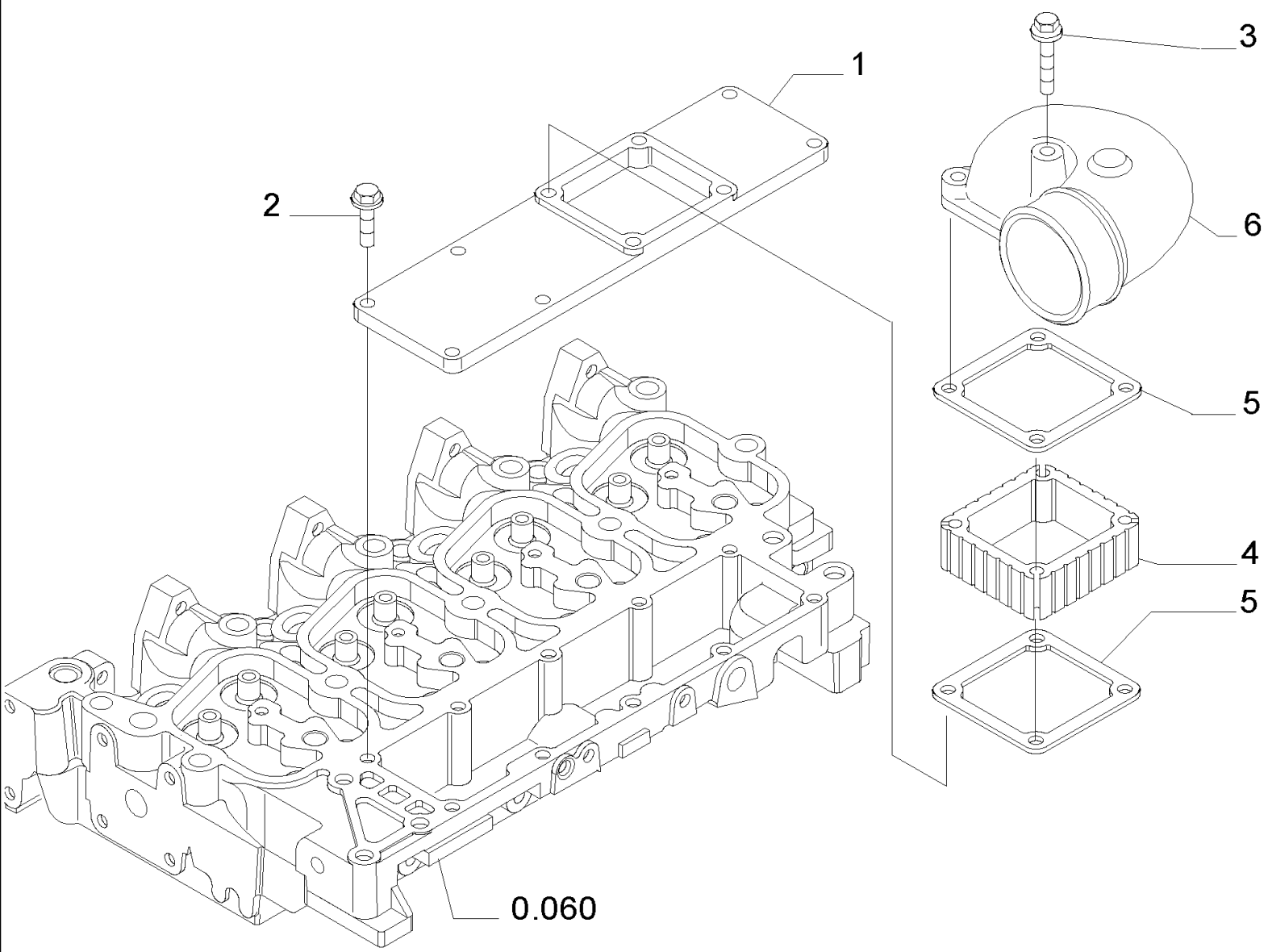
0.066(01) CYLINDER HEAD - VALVE MECHANISM



590SR CASE SERIES-2 SUPER-R BACKHOE LOADER (3/05-)

0.066(01) CYLINDER HEAD - VALVE MECHANISM

Ref	Part Number	Qty	Description
1	4895195	4	ROCKER ARM, , Includes 5, 6, 7, 11, 12
2	4895361	8	ROD, PUSH,
3	504067723	4	SCREW,
4	4892860	4	SCREW, Wash Hd, M12 x 1.25 x 183,
5	4895363	2	RING,
6	4895364	2	WASHER,
7	4895196	1	ROCKER ARM, , Includes 8 to 10
8	4895365	2	SPACER,
9	4895198	2	NUT,
10	4895199	2	SCREW,
11	4895200	1	ROCKER ARM, , Includes 8 to 10
12	4895204	1	SUPPORT,



590SR CASE SERIES-2 SUPER-R BACKHOE LOADER (3/05-)

0.071-01(01) MANIFOLD - INTAKE

Ref	Part Number	Qty	Description
1	504064865	1	COVER,
2	4899039	6	SCREW, Hex Flg, M8 x 1.25 x 25,
3	16598624	2	SCREW, Hex Flg, M8 x 1.25 x 140, M8x1.25x140
3	16598224	2	SCREW, M8x90
4	4895648	1	SPACER,
5	4899921	2	GASKET,
6	504062464	1	MANIFOLD, INLET,



Suggest:

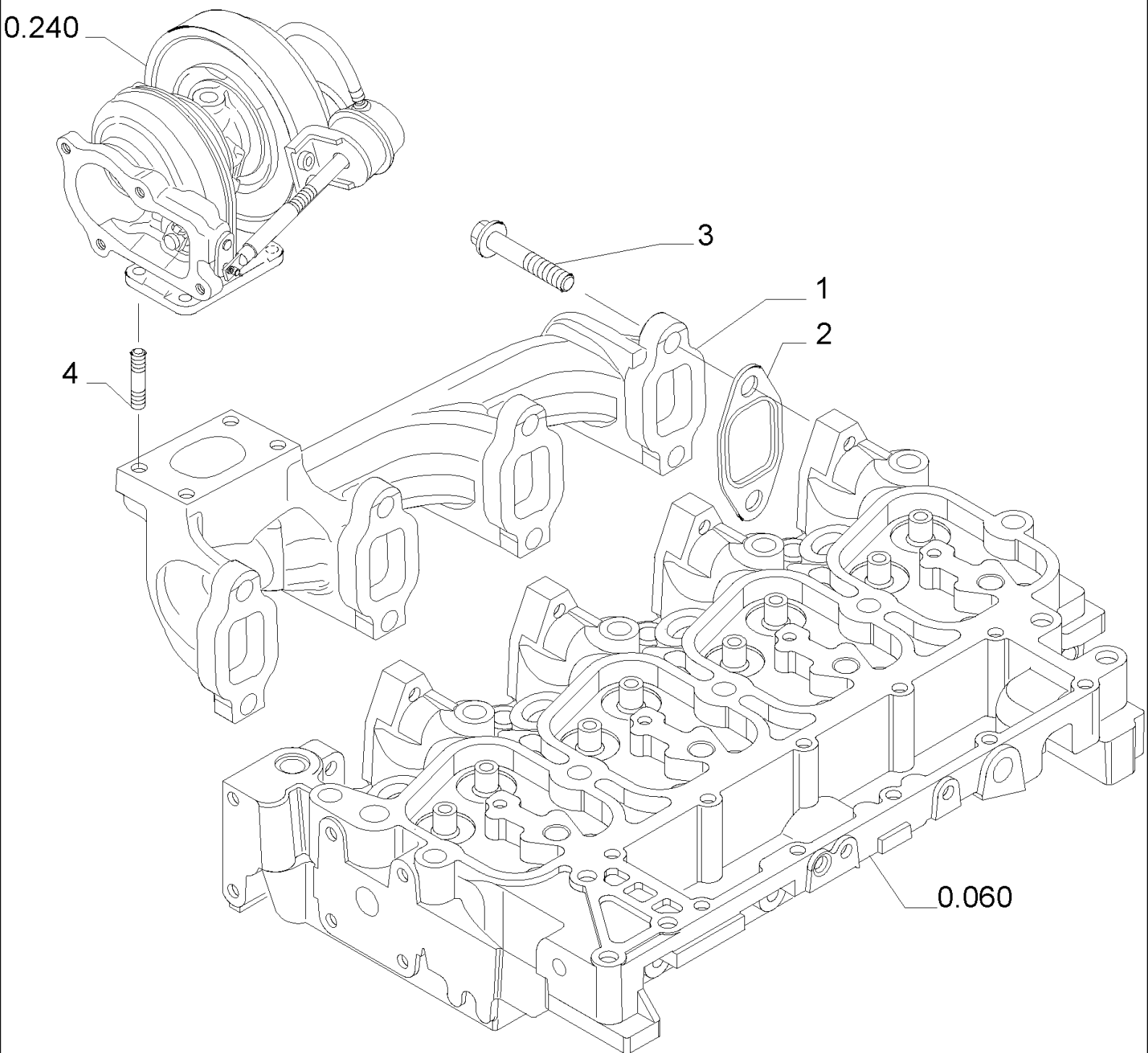
If the above button click is invalid.

Please download this document

first, and then click the above link

to download the complete manual.

Thank you so much for reading



<https://www.ebooklibonline.com>

Hello dear friend!

Thank you very much for reading.

Enter the link into your browser.

The full manual is available for immediate download.

<https://www.ebooklibonline.com>