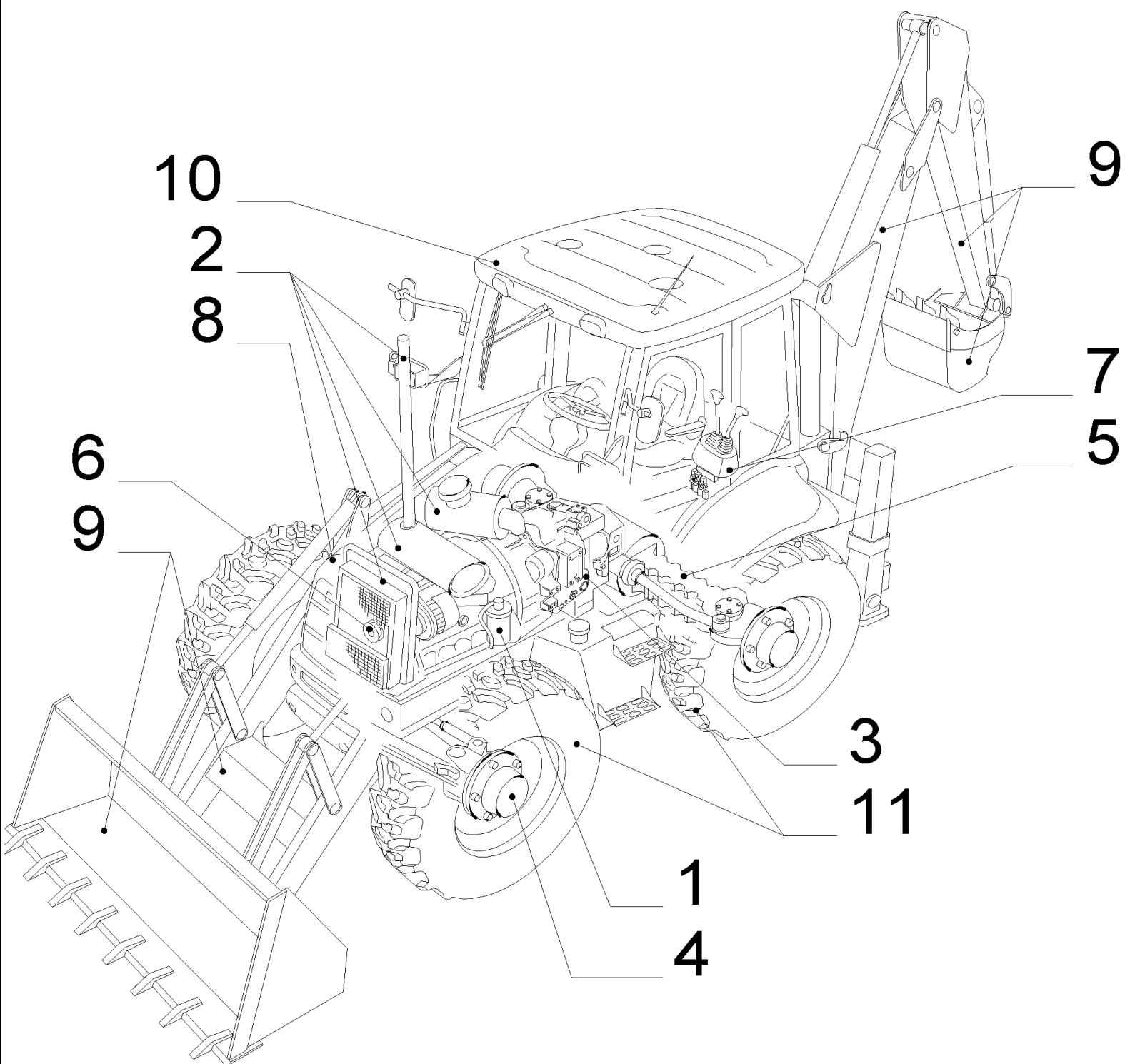


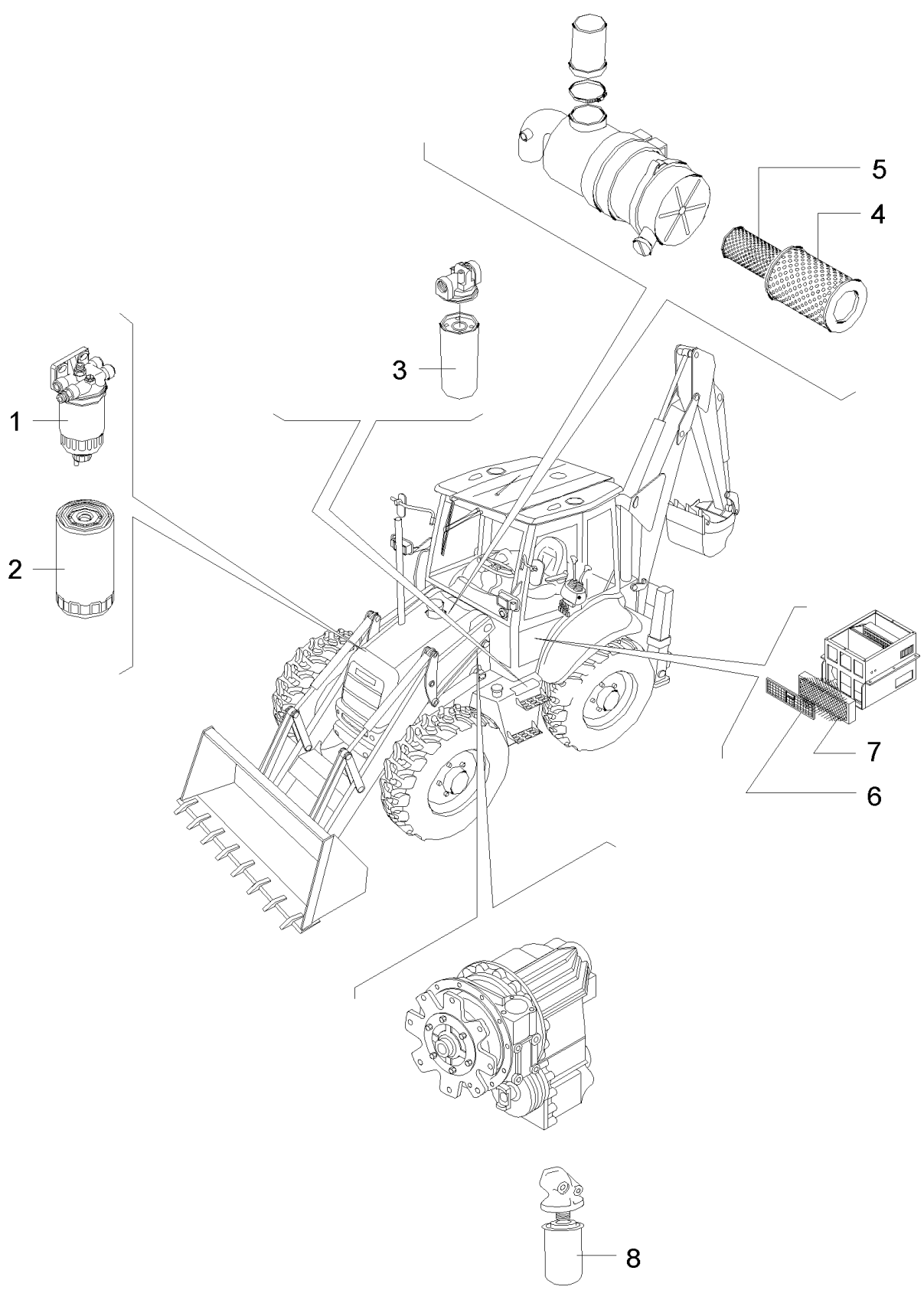


PARTS CATALOGUE

BACKHOE LOADER
580SR Series 2

MAIN SECTIONS





<https://www.ebooklibonline.com>

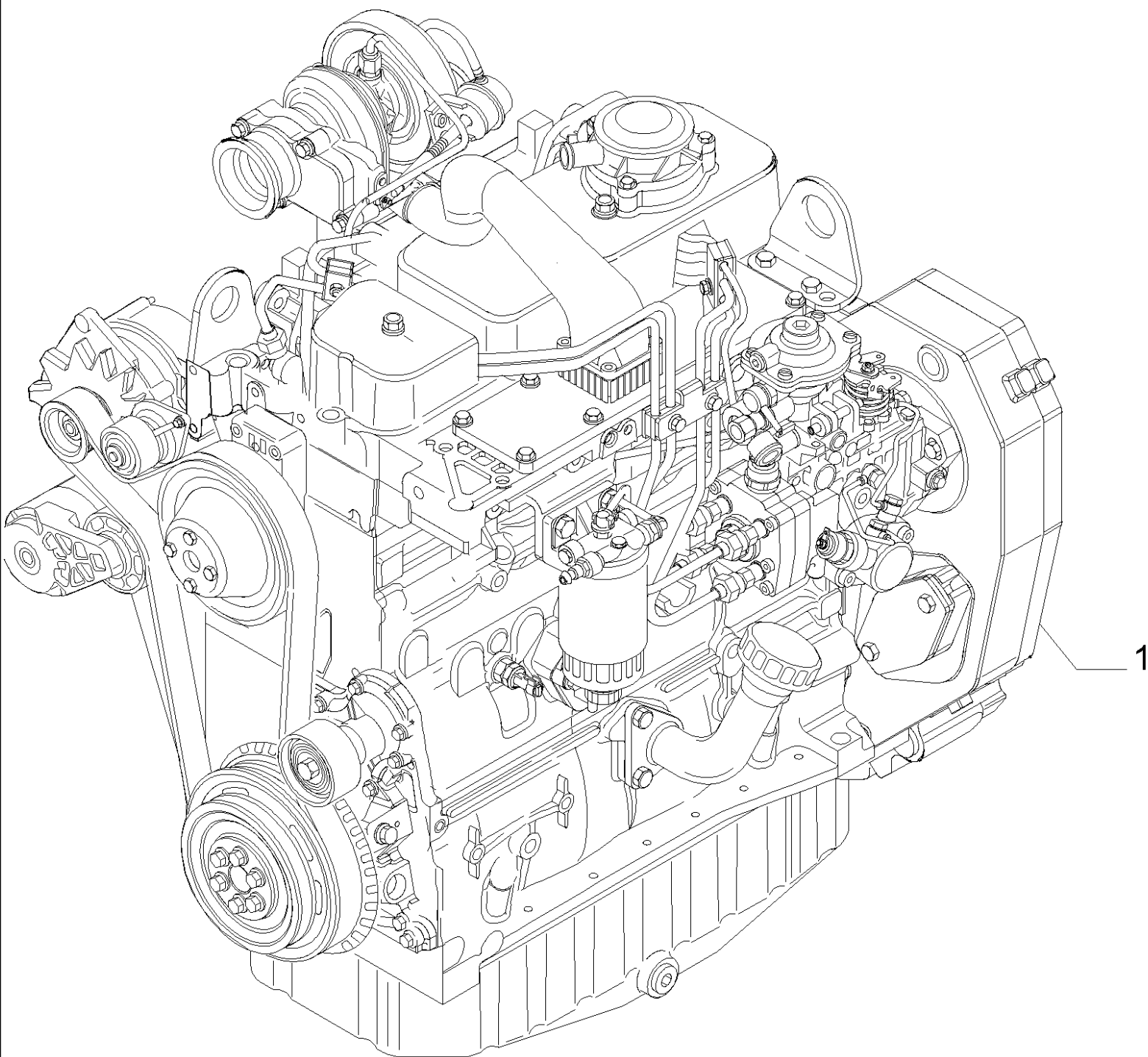
Hello dear friend!

Thank you very much for reading.

Enter the link into your browser.

The full manual is available for immediate download.

<https://www.ebooklibonline.com>

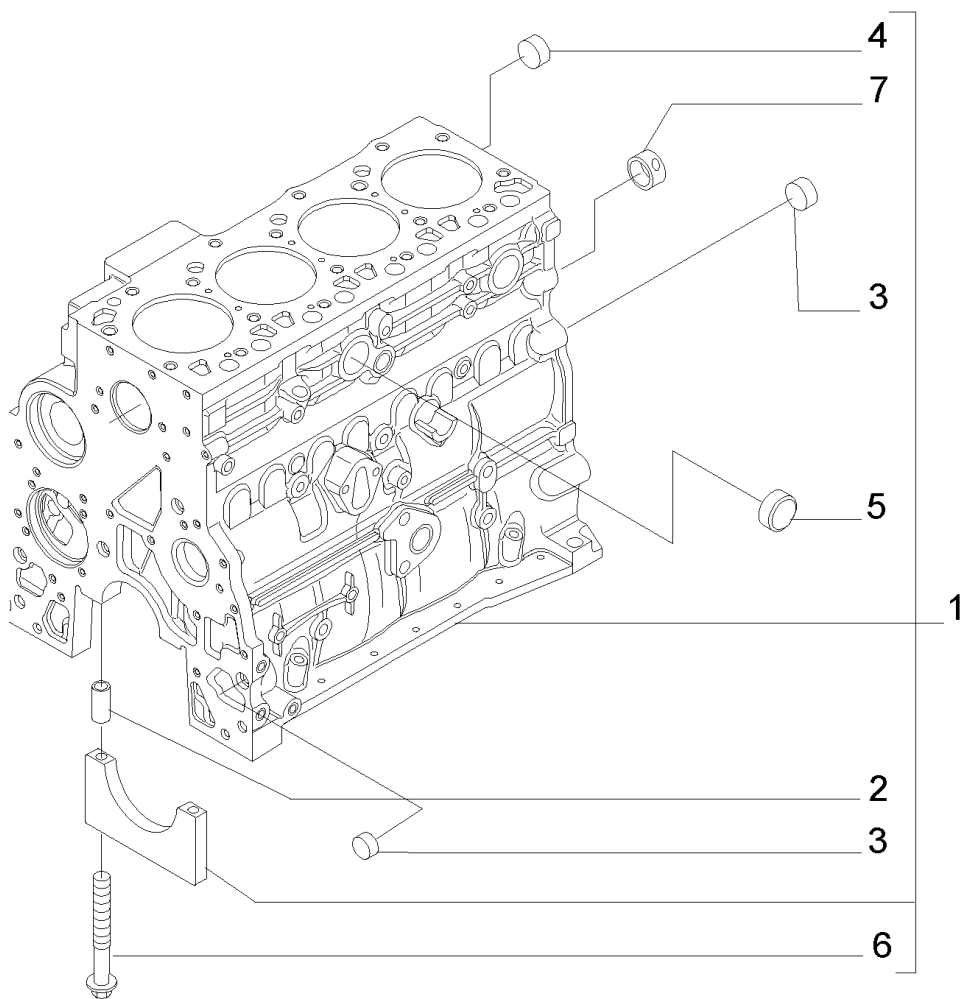


580SR CASE SERIES 2 SUPER-R BACKHOE LOADER (3/05-)

0.021(01) ENGINE

Ref	Part Number	Qty	Description
1	87329109	1 - ASSY	

0.040(01) CYLINDER BLOCK

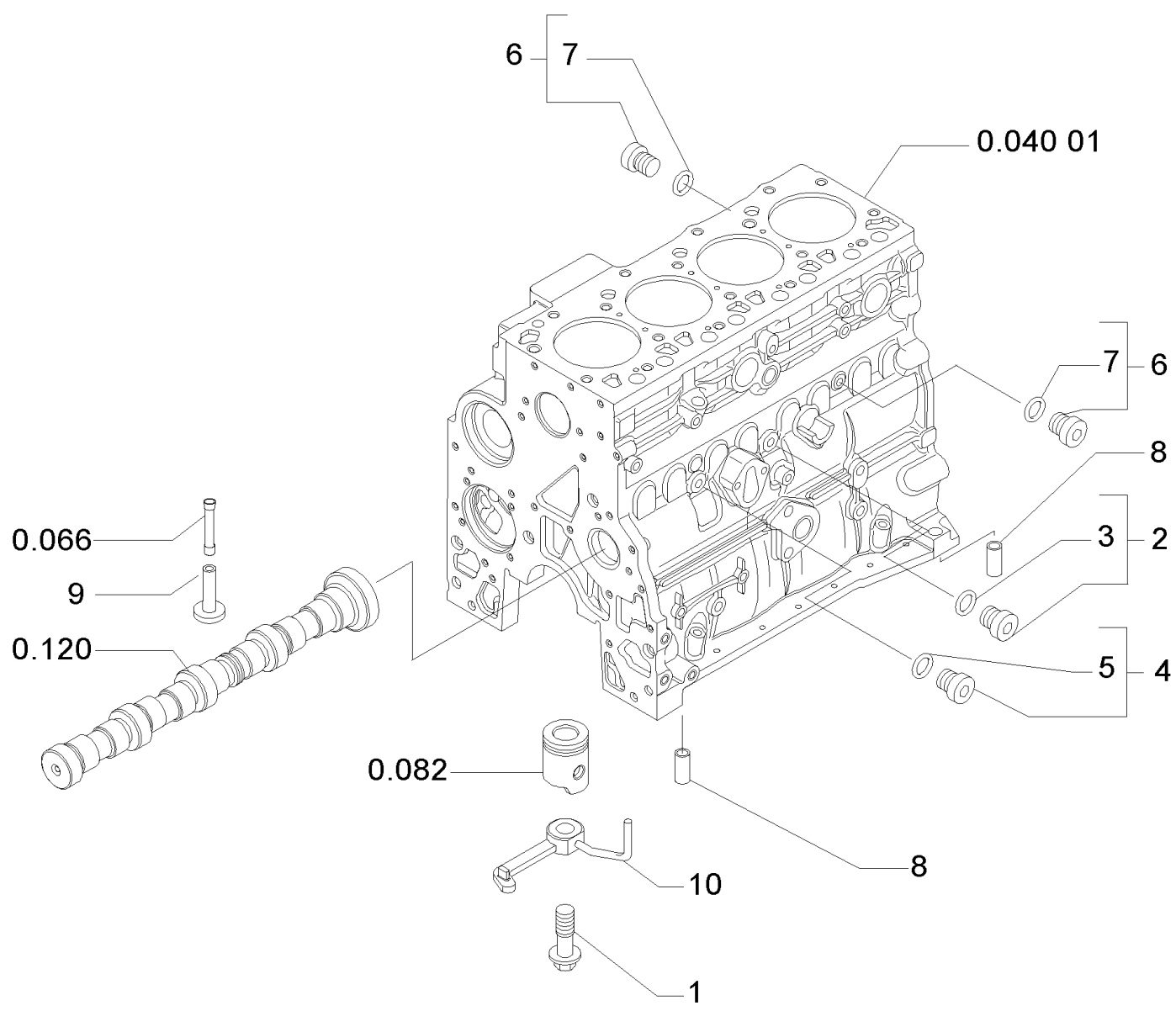


580SR CASE SERIES 2 SUPER-R BACKHOE LOADER (3/05-)

0.040(01) CYLINDER BLOCK

Ref	Part Number	Qty	Description
1	2830082	1	CYLINDER BLOCK, - ASSY, Includes 2 to 7
2	4899026	10	DOWEL,
3	4895039	3	PLUG,
4	4895038	4	PLUG,
5	4895228	2	PLUG,
6	4891353	10	SCREW, Flg Hd, M12 x 1.5 x 120,
7	4895040	1	BUSHING,

0.040(02) CYLINDER BLOCK

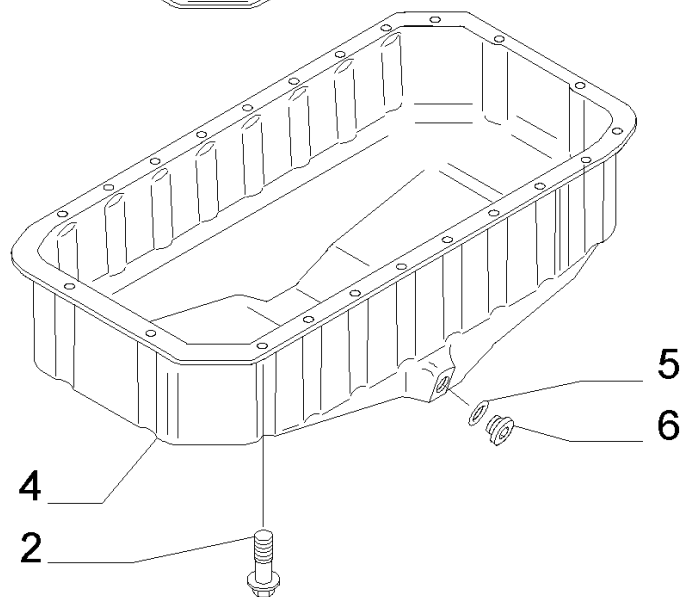
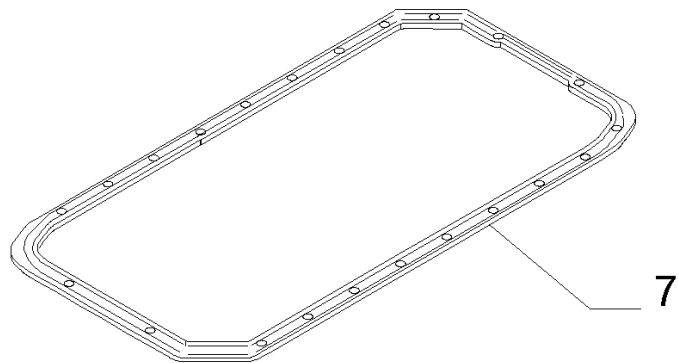
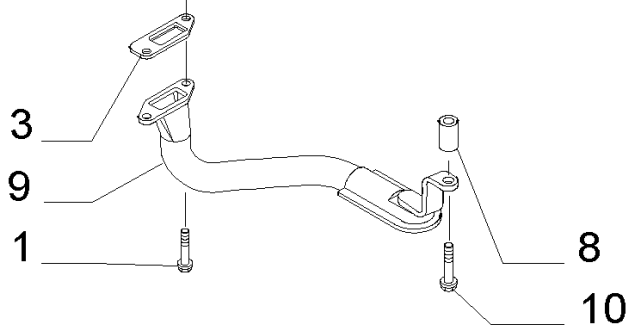
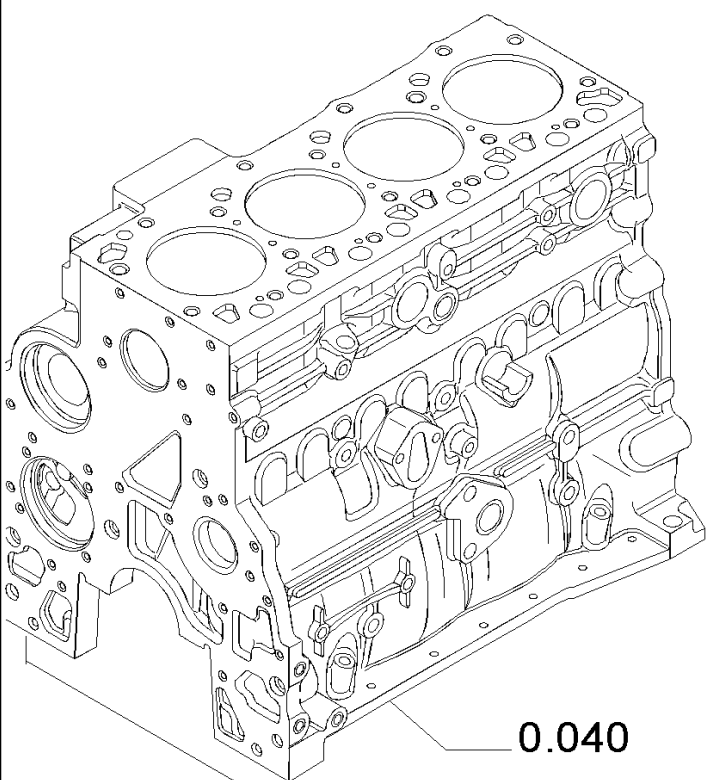


580SR CASE SERIES 2 SUPER-R BACKHOE LOADER (3/05-)

0.040(02) CYLINDER BLOCK

Ref	Part Number	Qty	Description
1	4894218	4	SCREW,
2	4895605	1	PLUG, 14x1.5 , Includes 3
3	4899115	1	O-RING,
4	4899009	1	PLUG, 10x1.5 , Includes 5
5	4899072	1	O-RING,
6	4895392	2	PLUG, 18x1.5, Includes 7
7	4895393	1	O-RING,
8	4895049	2	DOWEL,
9	4895180	8	TAPPET,
10	504047260	4	NOZZLE, LUB. OIL JET,

0.042(01) OIL PUMP, PAN

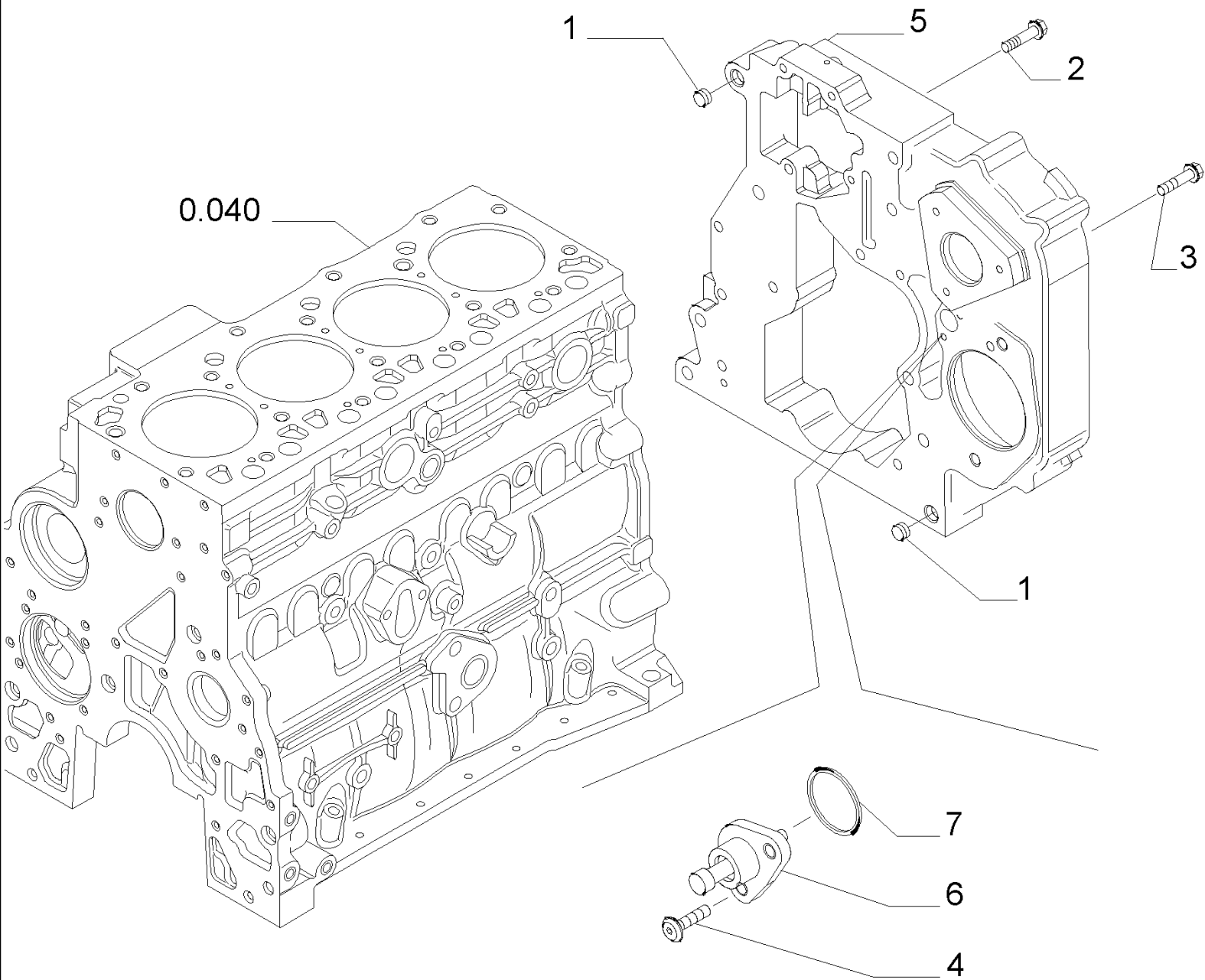


580SR CASE SERIES 2 SUPER-R BACKHOE LOADER (3/05-)

0.042(01) OIL PUMP, PAN

Ref	Part Number	Qty	Description
1	18138424	2	SCREW, Hex Flg, M8 x 1.25 x 20, 8x20
2	4899091	22	SCREW, Hex Flg, M8 x 1.25 x 40, M8X1.25X40
2	4895489	2	SCREW, M8X1.25X110
3	4898301	1	GASKET,
4	504043550	1	PAN, ENGINE OIL,
5	4895584	1	O-RING, 23,4X2,6
6	4894139	1	PLUG, 22x1.5
7	504069777	1	GASKET,
8	504062812	1	SPACER,
9	504051893	1	STRAINER, ELEMENT,
10	4895538	1	SCREW,

0.043(01) CYLINDER BLOCK - COVERS

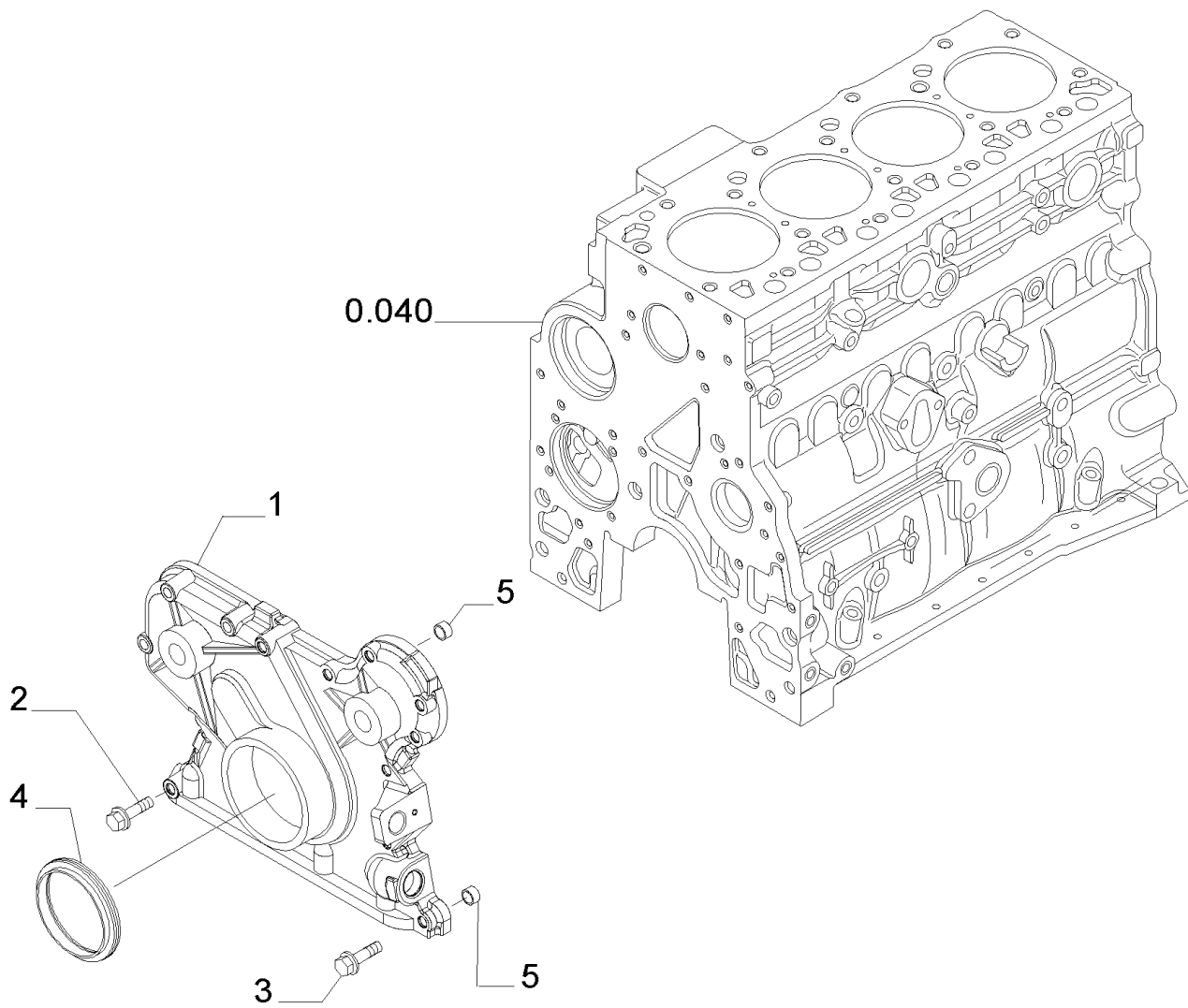


580SR CASE SERIES 2 SUPER-R BACKHOE LOADER (3/05-)

0.043(01) CYLINDER BLOCK - COVERS

Ref	Part Number	Qty	Description
1	4899026	2	DOWEL,
2	4899091	4	SCREW, Hex Flg, M8 x 1.25 x 40,
3	4899093	5	SCREW, Hex Flg, M10 x 1.5 x 30,
3	4899073	2	SCREW, Hex Flg, M12 x 1.75 x 30,
4	4895355	2	SCREW, Torx Rd Hd, M5 x .8 x 17,
5	504097164	1	
6	504074001	1	COVER,
7	17278780	1	O-RING,

0.043(02) CYLINDER BLOCK - COVERS

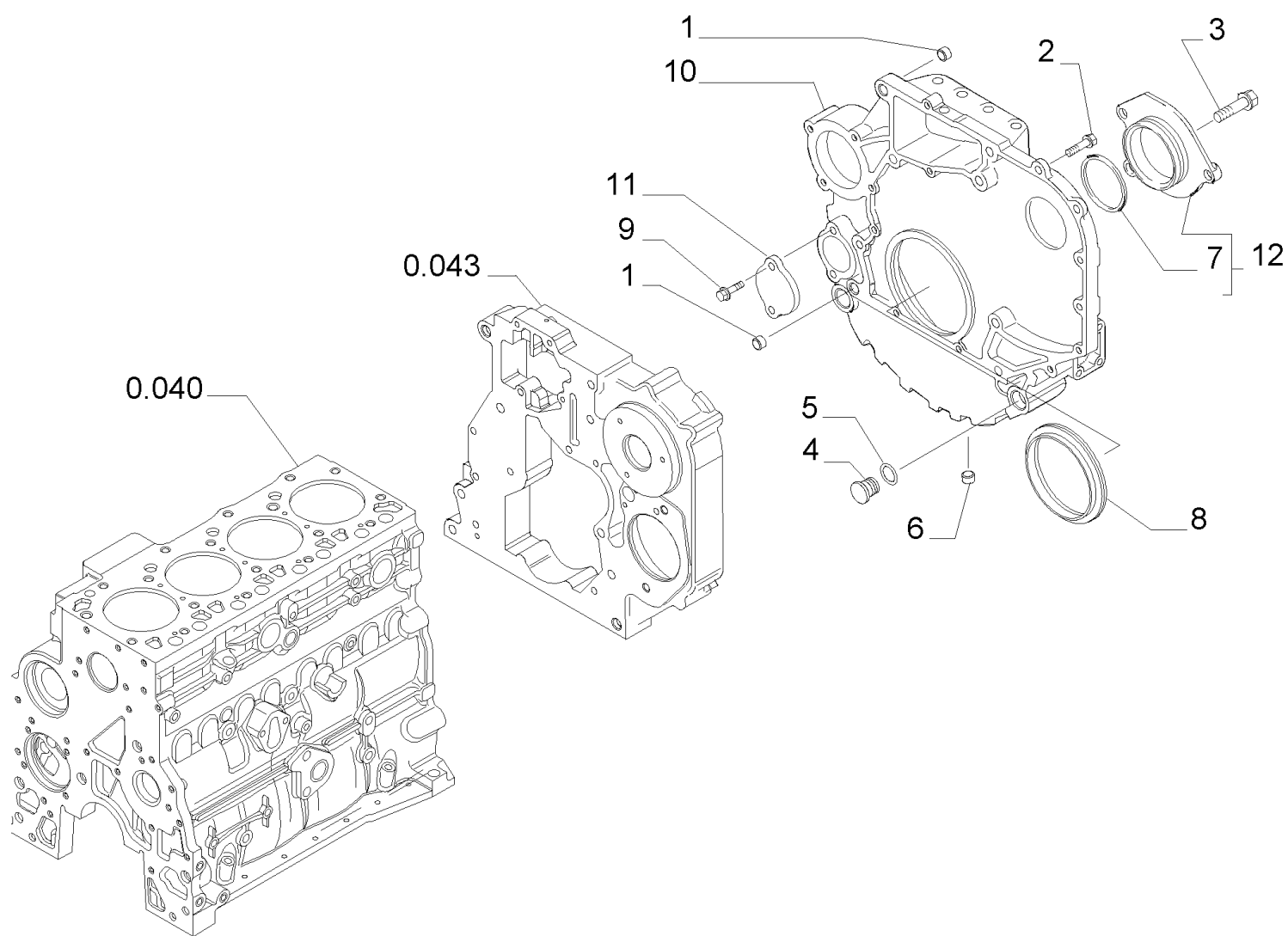


580SR CASE SERIES 2 SUPER-R BACKHOE LOADER (3/05-)

0.043(02) CYLINDER BLOCK - COVERS

Ref	Part Number	Qty	Description
1	4897024	1	COVER,
2	4899078	5	SCREW, Hex Flg, M8 x 1.25 x 45,
3	4899063	8	SCREW, Hex Flg, M8 x 1.25 x 30,
4	4890832	1	SEAL,
5	4891209	2	DOWEL,

0.043(03) CYLINDER BLOCK - COVERS

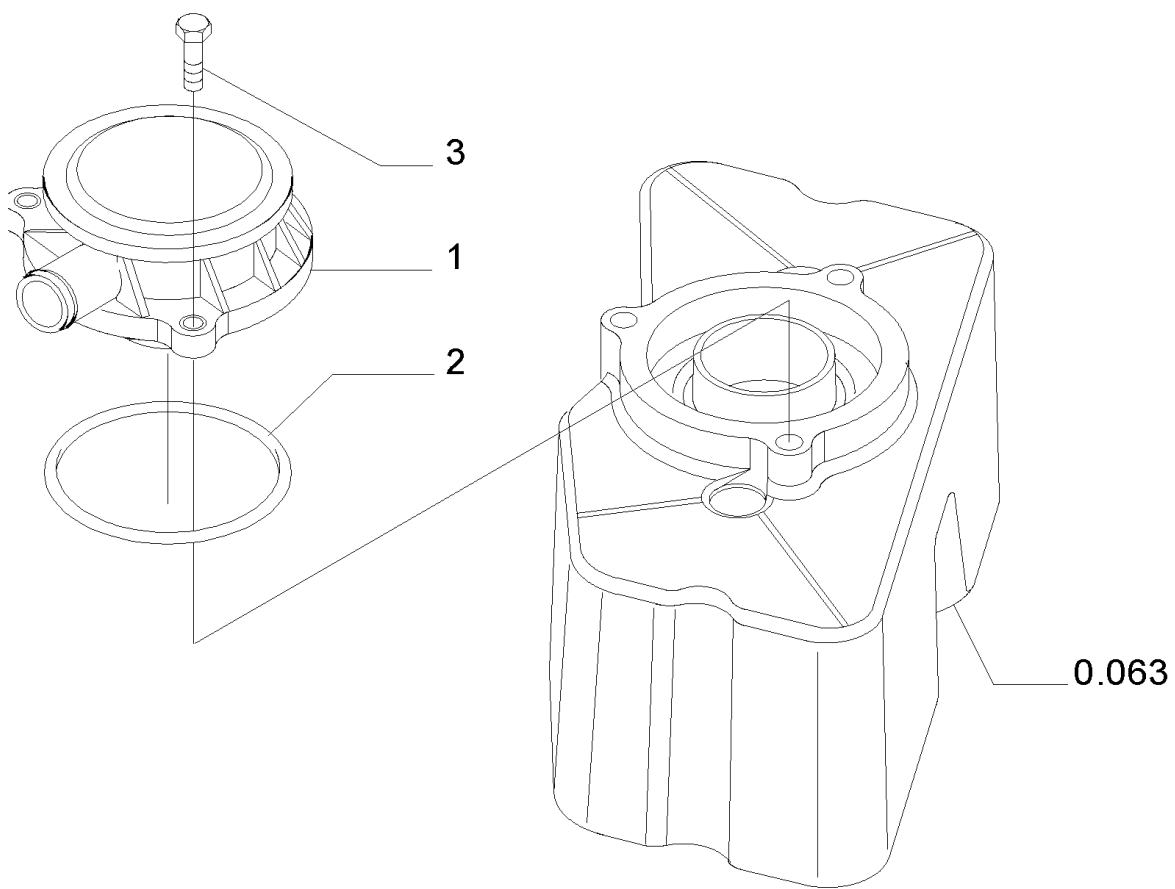


580SR CASE SERIES 2 SUPER-R BACKHOE LOADER (3/05-)

0.043(03) CYLINDER BLOCK - COVERS

Ref	Part Number	Qty	Description
1	4899026	2	DOWEL,
2	4899109	3	SCREW, Hex, M10 x 1.5 x 80,
2	4899076	5	SCREW, Hex Flg, M12 x 1.75 x 80, M12X80
2	4899074	2	SCREW, Hex Flg, M12 x 1.75 x 120, M12X1,75X120
2	504080094	2	SCREW,
2	4899143	1	SCREW, Hex Flg, M10 x 1.5 x 140, M10X1,5X140
3	4892915	8	SCREW, M10x1.5x40
3	18138424	3	SCREW, Hex Flg, M8 x 1.25 x 20, M8X1,25X20
4	4895378	2	PLUG,
5	17288480	2	O-RING, 21,82X3,53
6	4895079	1	PLUG,
7	17285481	1	GASKET, 75X87X2,62
8	4890833	1	SEAL,
9	4899068	2	SCREW, Hex Flg, M8 x 1.25 x 16, M8X1,25X13
10	504069775	1	COVER,
11	4895155	1	COVER,
12	2854073	1	COVER, - ASSY

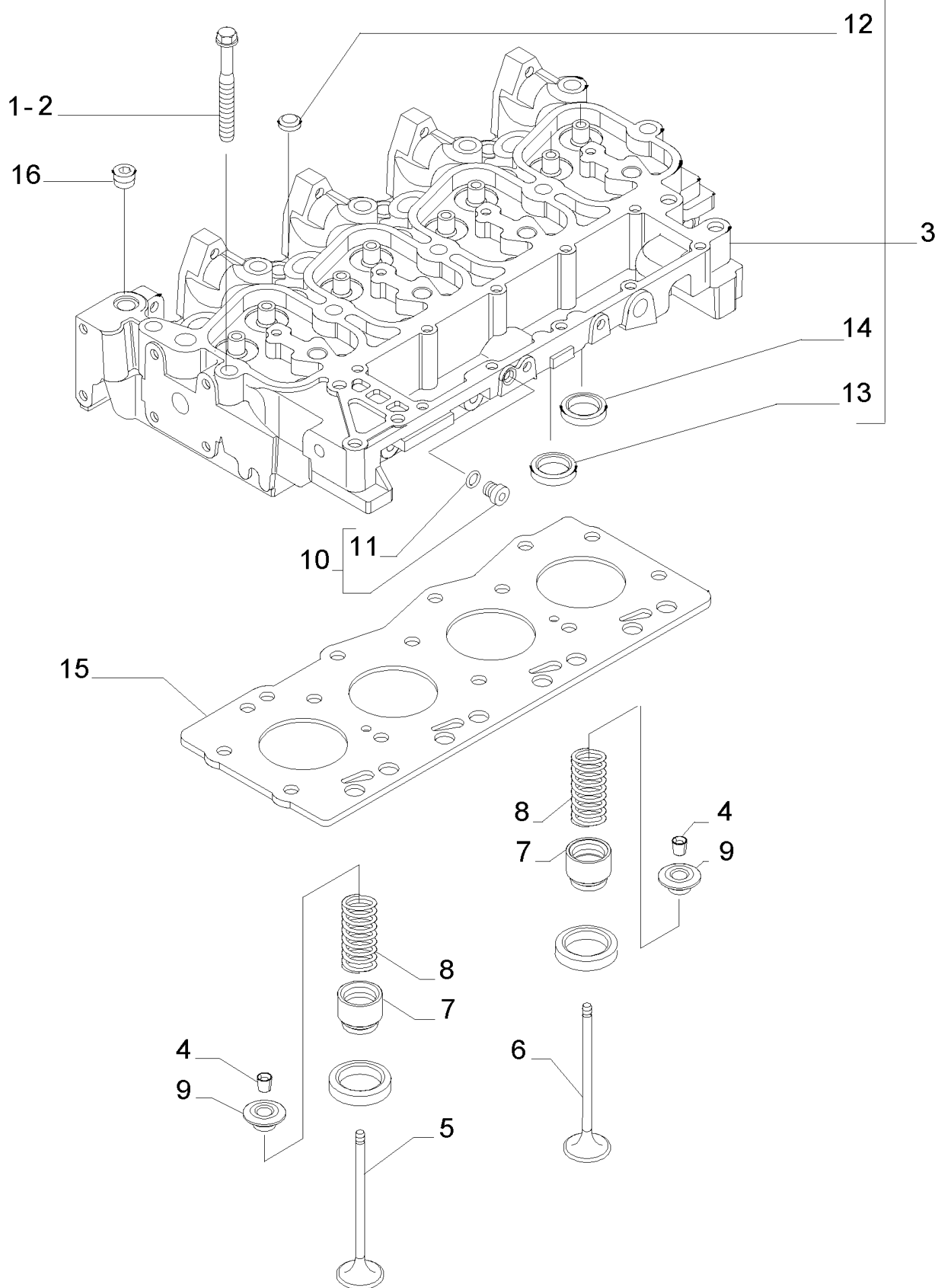
0.045(01) BREATHER - ENGINE



580SR CASE SERIES 2 SUPER-R BACKHOE LOADER (3/05-)

0.045(01) BREATHER - ENGINE

Ref	Part Number	Qty	Description
1	500315794	1	BREATHER,
2	500315795	1	GASKET,
3	4899110	3	SCREW, Hex Flg, M6 x 1 x 20,

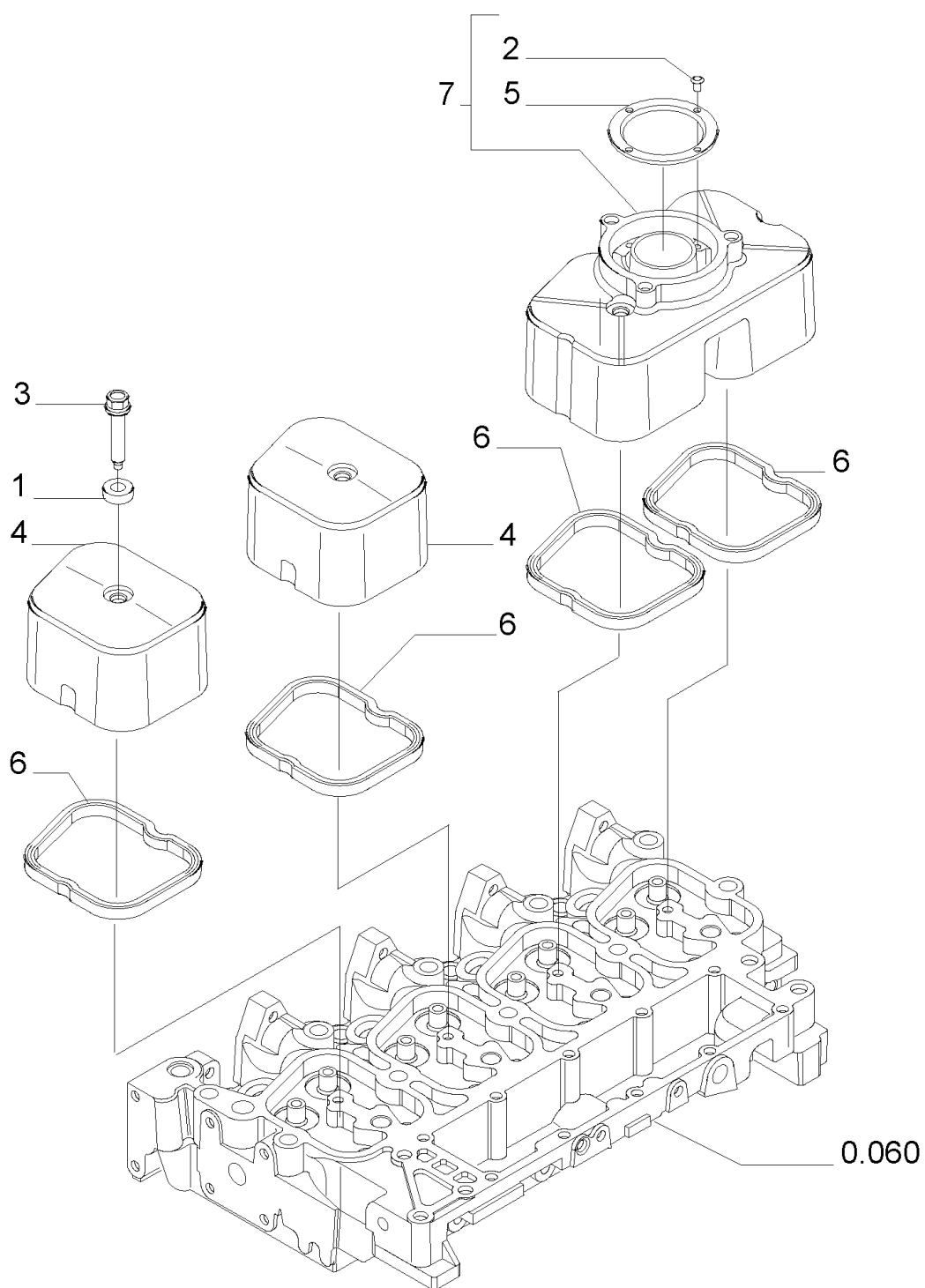


580SR CASE SERIES 2 SUPER-R BACKHOE LOADER (3/05-)

0.060(01) CYLINDER HEAD

Ref	Part Number	Qty	Description
1	4892861	4	SCREW, Wash Hd, M12 x 1.25 x 73,
2	4892859	10	SCREW, Wash Hd, M12 x 1.25 x 143,
3	4895790	1	CYLINDER HEAD, , Includes 12, 13, 14
4	4895183	16	COTTER, ROCKER ARM,
5	4895188	4	VALVE, ENG EXHAUST, STD,
6	4895187	4	VALVE, ENGINE, INLET, STD,
7	4895347	8	CUP,
8	4895215	8	SPRING,
9	4895184	8	CUP,
10	4899009	1	PLUG, 10X1.5, Includes 11
11	4899072	1	O-RING,
12	4895179	3	PLUG,
13	4897178	4	VALVE SEAT,
14	4897179	4	VALVE SEAT,
15	2830919	1	GASKET, CYLINDER HEAD, SP= 1.25
16	4895078	5	PLUG,

0.063(01) CYLINDER HEAD - COVERS

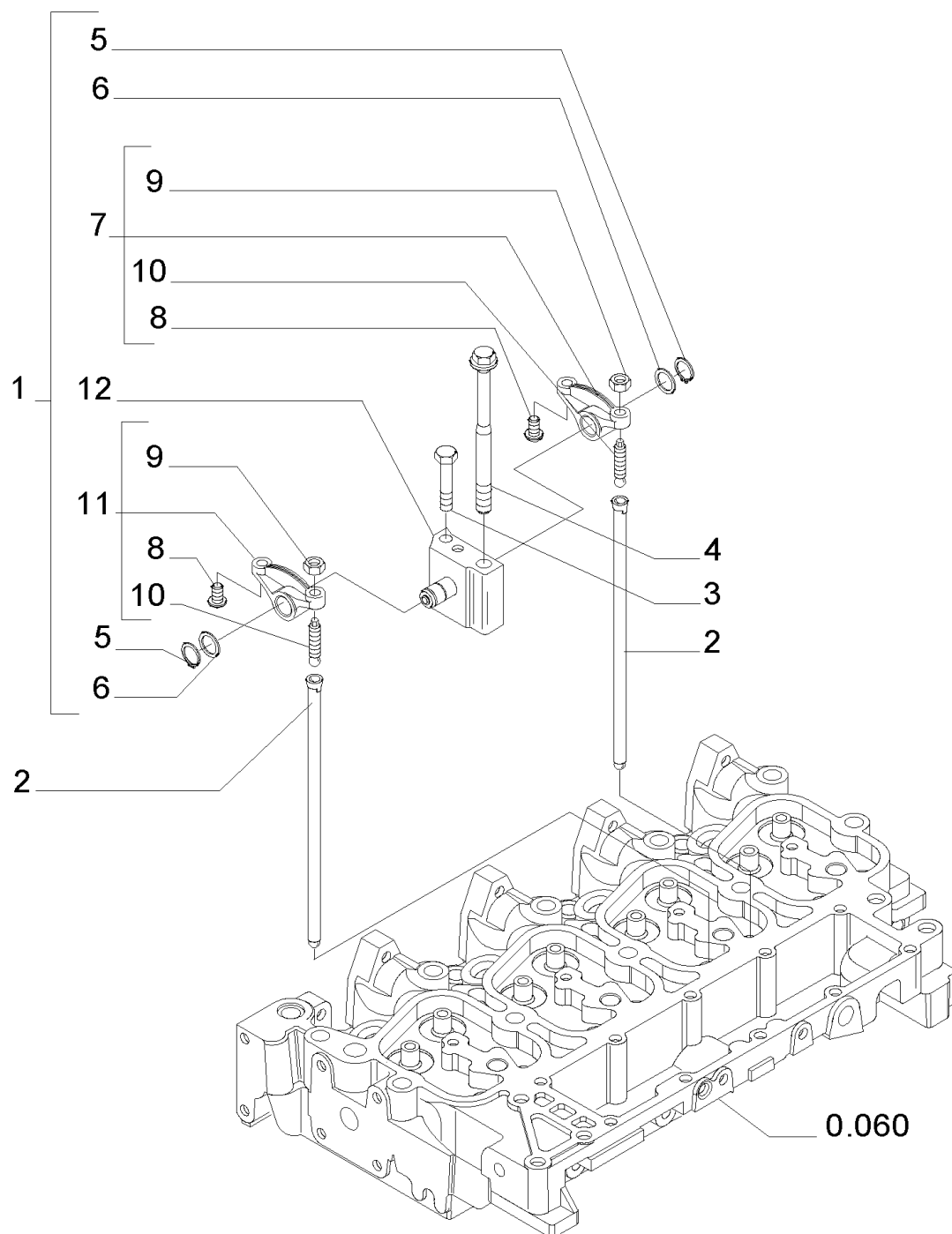


580SR CASE SERIES 2 SUPER-R BACKHOE LOADER (3/05-)

0.063(01) CYLINDER HEAD - COVERS

Ref	Part Number	Qty	Description
1	4895360	4	BUSHING,
2	16784504	4	SCREW,
3	4895214	4	SCREW,
4	504065040	2	COVER,
5	2830775	1	BAFFLE,
6	504053522	4	GASKET,
7	2830784	1	COVER, , Includes 2, 5

0.066(01) CYLINDER HEAD - VALVE MECHANISM

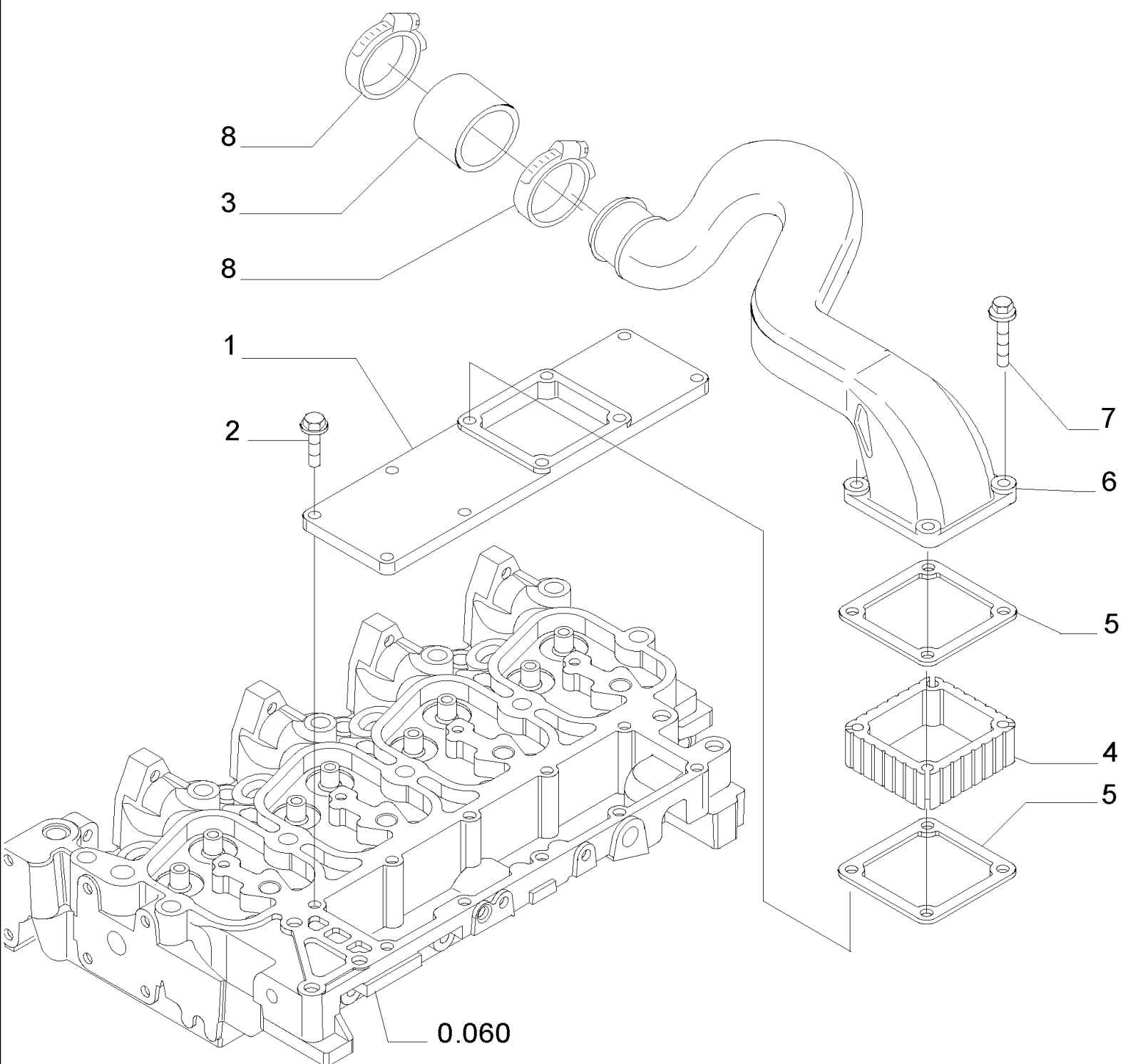


580SR CASE SERIES 2 SUPER-R BACKHOE LOADER (3/05-)

0.066(01) CYLINDER HEAD - VALVE MECHANISM

Ref	Part Number	Qty	Description
1	4895195	4	ROCKER ARM, , Includes 5, 6, 7, 11, 12
2	4895361	8	ROD, PUSH,
3	504067723	4	SCREW,
4	4892860	4	SCREW, Wash Hd, M12 x 1.25 x 183,
5	4895363	2	RING,
6	4895364	2	WASHER,
7	4895196	1	ROCKER ARM, , Includes 8 to 10
8	4895365	2	SPACER,
9	4895198	2	NUT,
10	4895199	2	SCREW,
11	4895200	1	ROCKER ARM, , Includes 8 to 10
12	4895204	1	SUPPORT,

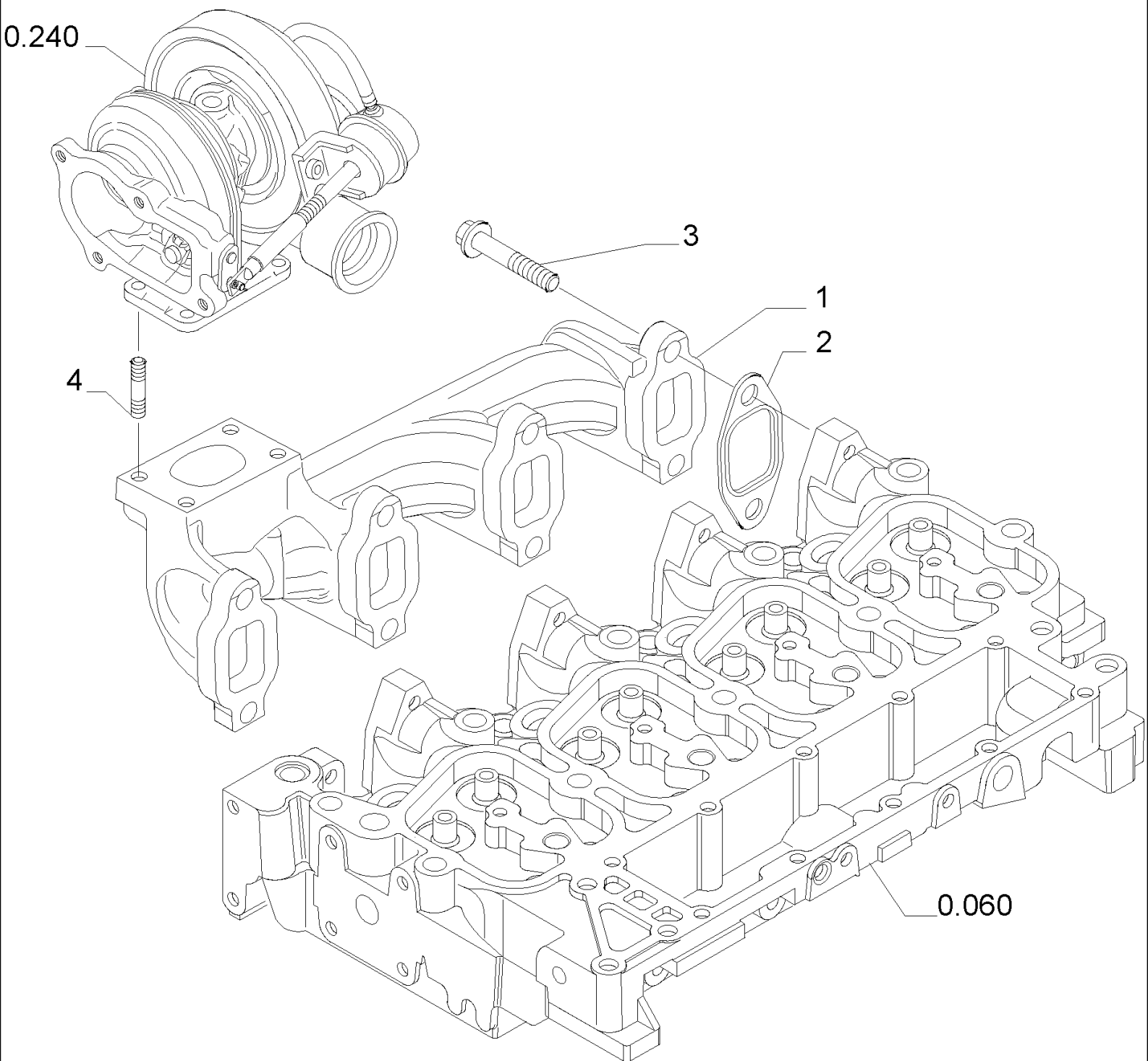
0.071(01) MANIFOLD - INTAKE



580SR CASE SERIES 2 SUPER-R BACKHOE LOADER (3/05-)

0.071(01) MANIFOLD - INTAKE

Ref	Part Number	Qty	Description
1	504064865	1	COVER,
2	4899039	6	SCREW, Hex Flg, M8 x 1.25 x 25,
3	504063980	2	HOSE,
4	4895648	1	SPACER,
5	4899921	2	GASKET,
6	504052006	1	TUBE, AIR INTAKE,
7	4895294	4	SCREW, 8x140
8	4899629	2	CLAMP, HOSE,

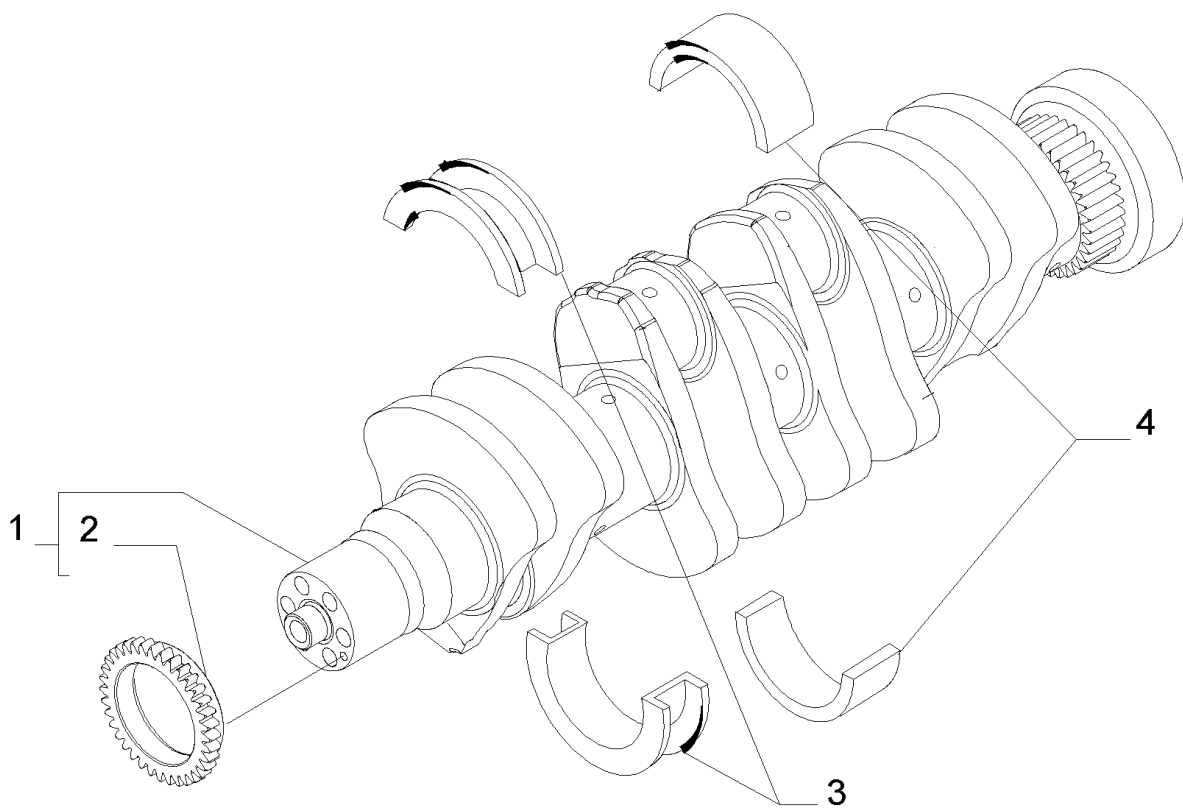


580SR CASE SERIES 2 SUPER-R BACKHOE LOADER (3/05-)

0.077(01) MANIFOLD - EXHAUST

Ref	Part Number	Qty	Description
1	2831203	1	MANIFOLD, EXHAUST,
2	504081248	4	GASKET,
3	2852834	8	SCREW,
4	4899119	4	STUD,

0.080(01) CRANKSHAFT

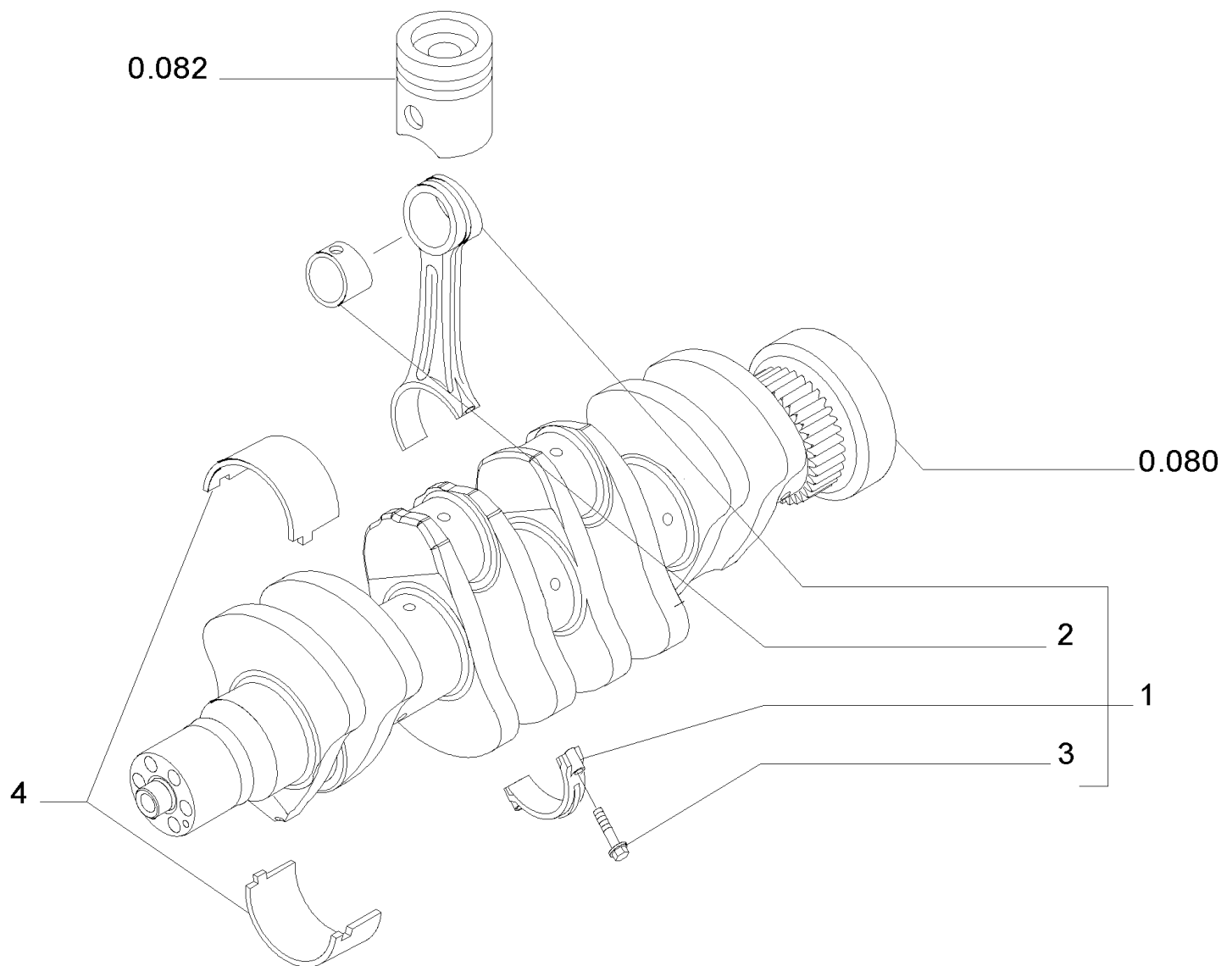


580SR CASE SERIES 2 SUPER-R BACKHOE LOADER (3/05-)

0.080(01) CRANKSHAFT

Ref	Part Number	Qty	Description
1	504095659	1	- ASSY, Includes 2
2	4893386	1	GEAR,
3	2992153	1	BEARING, BALL,
3	2992154	1	BEARING, BALL,
3	2992155	1	BEARING, BALL,
4	2992147	4	SET OF MAIN BRGS.STD,
4	2992148	4	SET OF MAIN BRGS -0.254, (- 0.254) (- 0.250)
4	2992149	4	SET OF MAIN BRGS -0.508, (- 0.508) (- 0.500)

0.081(01) PISTONS - CONNECTING ROD



0.081(01) PISTONS - CONNECTING ROD

Ref	Part Number	Qty	Description
1	2831298	4	ROD, CONNECTING, - ASSY, Includes 2, 3
2	4892708	1	BUSHING,
3	2831297	2	SCREW,
4	8093882	4	SET, CONN ROD BRGS (STD),



Suggest:

If the above button click is invalid.

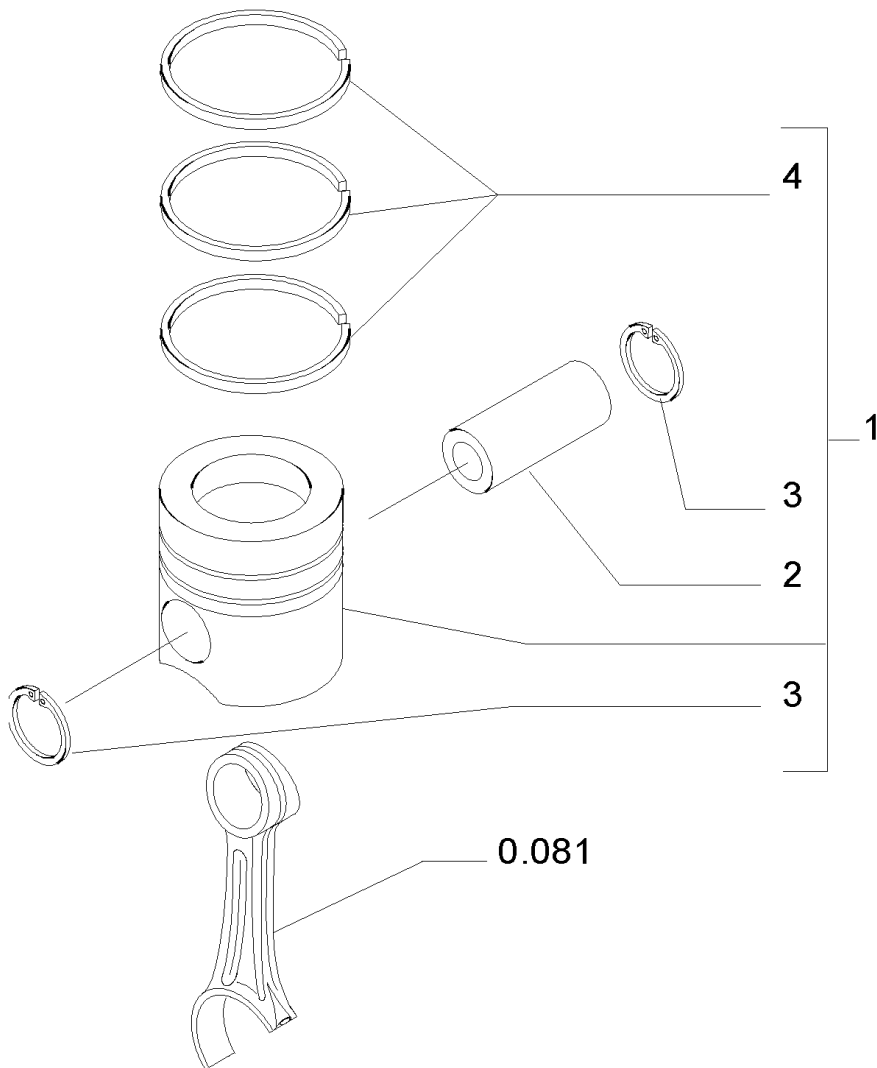
Please download this document

first, and then click the above link

to download the complete manual.

Thank you so much for reading

0.082(01) PISTONS - CONNECTING ROD



<https://www.ebooklibonline.com>

Hello dear friend!

Thank you very much for reading.

Enter the link into your browser.

The full manual is available for immediate download.

<https://www.ebooklibonline.com>