



---

# PARTS CATALOG

---

## LOADER BACKHOE

---

### 580 SUPER M SERIES 2 580 SUPER M+ SERIES 2

---



Photograph may show installation of optional equipment.

BD04A007

#### TABLE OF CONTENTS

- General Information
- Section 2 – Engine
- Section 3 – Fuel System
- Section 4 – Electrical System
- Section 5 – Tracks / Steering
- Section 6 – Power train
- Section 7 – Brakes
- Section 8 – Hydraulics
- Section 9 – Chassis/Attachments
- Index

---

CNH America, LLC reserves the right to make improvements in design or changes in specifications at any time without incurring any obligation to install them on units previously sold.

All data given in this publication is subject to production variations. Dimensions and weights are only approximate. Illustrations do not necessarily show products in standard condition. For exact information about any particular product, please consult your Dealer

This unit first became available 02-2004			
REVISION HISTORY			
Issue	Issue Date	Applicable Machines	Remarks
First Edition	02-2004	580 SUPER M SERIES 2, 580 SUPER M+ SERIES 2	7-9040 NA
Revision 1	05-2004	580 SUPER M SERIES 2, 580 SUPER M+ SERIES 2	7-9041 NA
Revision 2	05-2005	580 SUPER M SERIES 2, 580 SUPER M+ SERIES 2	7-9042 NA
Revision 3	12-2006	580 SUPER M SERIES 2, 580 SUPER M+ SERIES 2	7-9043 NA

---

# TABLE OF CONTENTS

---

02-01	RADIATOR - MOUNTING
02-02	DEAERATION SYSTEM - MOUNTING
02-03	RADIATOR ASSY (WITHOUT AIR CONDITIONING)
02-03A	RADIATOR ASSY (WITH AIR CONDITIONING)
02-04	AIR CLEANER - AIR INTAKE PARTS
02-05	AIR CLEANER
02-06	MUFFLER - EXHAUST SYSTEM (WITH TURBOCHARGER)
02-06A	MUFFLER, ASPIRATED & SPARK ARRESTOR - EXHAUST SYSTEM
02-07	ENGINE - MOUNTING
02-07A	ENGINE - BLOCK HEATER
02-08	ENGINE
02-09	CYLINDER BLOCK
02-10	CYLINDER BLOCK
02-11	OIL PUMP, PAN
02-12	CYLINDER BLOCK - COVERS
02-13	CYLINDER BLOCK - COVERS
02-14	CYLINDER BLOCK - COVERS
02-15	BREATHER - ENGINE
02-16	CYLINDER HEAD
02-17	CYLINDER HEAD - COVERS
02-18	CYLINDER HEAD - VALVE MECHANISM
02-19	MANIFOLD - INTAKE
02-20	MANIFOLD - EXHAUST
02-21	CRANKSHAFT
02-22	PISTONS - CONNECTING ROD
02-23	PISTONS - CONNECTING ROD
02-24	FLYWHEEL - ENGINE
02-25	PULLEY - CRANKSHAFT
02-26	DYNAMIC BALANCER, GEARS & SHAFTS
02-27	DYNAMIC BALANCER, GEARS & SHAFTS (2830952)
02-28	CAMSHAFT
02-29	TURBOCHARGER
02-30	ENGINE, OIL
02-31	OIL PUMP - ENGINE
02-32	OIL FILTERS - ENGINE
02-33	PIPING - ENGINE OIL
02-34	OIL FILTER AND COOLER
02-35	WATER PUMP
02-36	COOLING SYSTEM - ENGINE
02-37	THERMOSTAT - ENGINE COOLING SYSTEM
02-38	WATER PUMP - CONTROL
02-39	FAN DRIVE
02-40	POWER TAKE-OFF
02-41	ENGINE - LIFT HOOK
03-01	FUEL LINES, RESERVOIR
03-02	CONTROLS - THROTTLE, HAND
03-03	CONTROLS - THROTTLE, FOOT
03-04	FUEL INJECTION PUMP
03-05	FUEL INJECTION SYSTEM
03-06	FUEL INJECTION SYSTEM
03-07	FUEL INJECTION SYSTEM

**<https://www.ebooklibonline.com>**

Hello dear friend!

Thank you very much for reading.

Enter the link into your browser.

The full manual is available for immediate download.

**<https://www.ebooklibonline.com>**

---

# TABLE OF CONTENTS

---

03-08	FUEL FILTER
03-09	FUEL PUMP
03-10	FUEL INJECTION SYSTEM
03-11	FUEL INJECTION SYSTEM
04-01	STARTER
04-02	ALTERNATOR
04-03	STARTER MOUNTING - ALTERNATOR MOUNTING
04-04	HARNES, ENGINE - MOUNTING AND CONNECTIONS
04-05	BATTERY CABLES (MODELS WITHOUT COLD START)
04-06	BATTERY, DUAL - COLD START
04-06A	COLD START GRID HEATER
04-07	HARNES, FRONT CONSOLE - SWITCHES
04-08	HARNES, FRONT CONSOLE - MOUNTING
04-09	ELECTRICAL - TRANSMISSION, POWERSHIFT (WITHOUT COMFORT STEER)
04-09A	ELECTRICAL - TRANSMISSION, POWERSHIFT (WITH COMFORT STEER)
04-10	HARNES, SIDE CONSOLE - SWITCHES
04-11	INSTRUMENT PANEL, FRONT - COVERS
04-12	INSTRUMENT PANEL, SIDE - COVERS (RIGHT-HAND SIDE)
04-13	INSTRUMENT CLUSTER
04-14	ELECTRICAL - LAMPS, ROPS CANOPY
04-15	ELECTRICAL - LAMPS, ROPS CAB
04-16	LAMP ASSY (ROPS CANOPY MODELS)
04-17	HORN - ALARM, BACKUP
04-18	BEACON, ROTATING (CAB OR CANOPY MODELS)
04-19	ANTENNA, RADIO - HARNES, RADIO
04-20	ELECTRICAL - BACKHOE AUXILIARY HYDRAULIC, UNI-DIRECTIONAL
04-21	ELECTRICAL - BACKHOE AUXILIARY HYDRAULIC, WITH PILOT CONTROLS
05-01	STEERING WHEEL - COLUMN
05-02	HYDRAULICS - STEERING
05-02A	HYDRAULICS - STEERING (COMFORT STEER)
05-03	STEERING COLUMN
05-04	AXLE, FRONT (86990837) - MOUNTING
05-05	AXLE, FRONT (86990837) - HOUSING
05-06	AXLE, FRONT (86990837) - HOUSING, SWIVEL
05-07	AXLE, FRONT (86990837) - CYLINDER, STEERING
05-08	AXLE, FRONT (86990837) - HUB AND BEARINGS
05-09	WHEELS, FRONT - TIRES
06-01	AXLE, FRONT DRIVE - MOUNTING
06-02	AXLE, FRONT DRIVE - HOUSING
06-03	AXLE, FRONT DRIVE - HOUSING, SWIVEL
06-04	AXLE, FRONT DRIVE - CYLINDER, STEERING
06-05	AXLE, FRONT DRIVE - SHAFTS, AXLE
06-06	AXLE, FRONT DRIVE - PLANETARY
06-07	AXLE, FRONT DRIVE - DIFFERENTIAL
06-08	AXLE, FRONT DRIVE - RING AND PINION
06-09	DRIVE SHAFT, FRONT AXLE
06-10	COOLING SYSTEM - TRANSMISSION (MODELS WITHOUT POWERSHIFT)(WITH CUT HOSES AT COOLER)
06-11	COOLING SYSTEM - TRANSMISSION (MODELS WITH POWERSHIFT)(WITH CUT HOSES AT COOLER)
06-11A	COOLING SYSTEM - TRANSMISSION (WITH FLARED FITTINGS AT COOLER)

---

# TABLE OF CONTENTS

---

06-12	TRANSMISSION - MOUNTING (MODELS WITHOUT POWERSHIFT)
06-13	TRANSMISSION - MOUNTING (MODELS WITH POWERSHIFT)
06-14	TRANSMISSION ASSY - FILTER, OIL (MODELS WITHOUT POWERSHIFT)
06-15	TRANSMISSION ASSY (2WD) - HOUSING (MODELS WITHOUT POWERSHIFT)
06-16	TRANSMISSION ASSY (4WD) - HOUSING (MODELS WITHOUT POWERSHIFT)
06-17	TRANSMISSION ASSY - PUMP, OIL (MODELS WITHOUT POWERSHIFT)
06-18	TRANSMISSION ASSY - SHIFTER MECHANISM (MODELS WITHOUT POWERSHIFT)
06-19	TRANSMISSION ASSY - SHAFT, IDLER AND PRIMARY (MODELS WITHOUT POWERSHIFT)
06-20	TRANSMISSION ASSY - SHAFT, INPUT (MODELS WITHOUT POWERSHIFT)
06-21	TRANSMISSION ASSY - SHAFT, SECONDARY (MODELS WITHOUT POWERSHIFT)
06-22	TRANSMISSION ASSY (4WD) - SHAFT, OUTPUT (MODELS WITHOUT POWERSHIFT)
06-23	TRANSMISSION ASSY (86984097 OR 86984098) - VALVE, CONTROL (MODELS WITHOUT POWERSHIFT)
06-23A	TRANSMISSION ASSY (87456843 OR 87456844) - VALVE, CONTROL (MODELS WITHOUT POWERSHIFT)
06-23B	TRANSMISSION ASSY (87396484 OR 87396485) - VALVE, CONTROL (MODELS WITHOUT POWERSHIFT)
06-24	TRANSMISSION ASSY (4WD) - VALVE, SOLENOID (MODELS WITHOUT POWERSHIFT)
06-25	TRANSMISSION ASSY, POWERSHIFT - HOUSING
06-26	TRANSMISSION ASSY, POWERSHIFT - HOUSING, REAR
06-27	TRANSMISSION ASSY, POWERSHIFT - TORQUE CONVERTER
06-28	TRANSMISSION ASSY, POWERSHIFT - PUMP, OIL
06-29	TRANSMISSION ASSY, POWERSHIFT - CLUTCH, FORWARD DRIVE
06-30	TRANSMISSION ASSY, POWERSHIFT - CLUTCH, REVERSE DRIVE
06-31	TRANSMISSION ASSY, POWERSHIFT - CLUTCH, PUMP DRIVE
06-32	TRANSMISSION ASSY, POWERSHIFT - CLUTCH, SECOND GEAR
06-33	TRANSMISSION ASSY, POWERSHIFT - CLUTCH, OUTPUT SHAFT
06-34	TRANSMISSION ASSY, POWERSHIFT - MOUNTING, VALVE
06-35	TRANSMISSION ASSY, POWERSHIFT - VALVE, CONTROL
06-36	TRANSMISSION ASSY, POWERSHIFT - PLATE, DRIVE
06-37	WHEELS, REAR - TIRES
06-38	AXLE, REAR DRIVE - MOUNTING
06-39	AXLE, REAR - DIFFERENTIAL LOCK
06-40	AXLE, REAR DRIVE - HOUSING
06-41	AXLE, REAR DRIVE - DIFFERENTIAL (CLOCKWISE INPUT, MODELS WITHOUT POWERSHIFT)
06-42	AXLE, REAR DRIVE - DIFFERENTIAL (COUNTER CLOCKWISE INPUT, MODELS WITH POWERSHIFT)
06-43	AXLE, REAR DRIVE - RING AND PINION
06-44	AXLE, REAR DRIVE - DIFFERENTIAL LOCK (CLOCKWISE INPUT, MODELS WITHOUT POWERSHIFT)
06-45	AXLE, REAR DRIVE - DIFFERENTIAL LOCK (COUNTER CLOCKWISE INPUT, MODELS WITH POWERSHIFT)
06-46	AXLE, REAR DRIVE - PLANETARY
06-47	DRIVE SHAFT, REAR AXLE
07-01	AXLE, REAR DRIVE - BRAKE, DIFFERENTIAL
07-02	AXLE, REAR DRIVE - BRAKE, PARKING
07-03	BRAKE - PEDALS
07-04	HYDRAULICS - BRAKE MASTER CYLINDER

---

# TABLE OF CONTENTS

---

07-05	CYLINDER ASSY - BRAKE MASTER
07-06	CONTROLS - BRAKE, PARKING
08-01	HYDRAULICS - PUMP, FILTER AND LOADER VALVE
08-02	HYDRAULICS - LOADER VALVE AND FILTER TO BACKHOE VALVE
08-03	HYDRAULICS - COOLER, RETURN LINES AND FILTER
08-04	HYDRAULICS - CYLINDER, LOADER LIFT
08-05	HYDRAULICS - CYLINDER, LOADER BUCKET
08-06	HYDRAULICS - CYLINDER, LOADER CLAM
08-07	HYDRAULICS - CYLINDER, LOADER CLAM
08-08	HYDRAULICS - CYLINDER, BACKHOE STABILIZER (WITHOUT PILOT CONTROLS)
08-08A	HYDRAULICS - CYLINDER, BACKHOE STABILIZER (WITH PILOT CONTROLS)
08-09	HYDRAULICS - CYLINDER, BACKHOE SWING (WITHOUT PILOT CONTROLS)
08-09A	HYDRAULICS - CYLINDER, BACKHOE SWING (WITH PILOT CONTROLS)
08-10	HYDRAULICS - CYLINDER, BACKHOE BOOM
08-10A	HYDRAULICS - BACKHOE BOOM LOCK AND ELECTRICAL CIRCUIT
08-11	HYDRAULICS - CYLINDER, BACKHOE DIPPER
08-12	HYDRAULICS - CYLINDER, BACKHOE BUCKET (MODELS WITHOUT EXTENDABLE DIPPER)
08-13	HYDRAULICS - CYLINDER, BACKHOE BUCKET (MODELS WITH EXTENDABLE DIPPER)
08-14	HYDRAULICS - CYLINDER, BACKHOE EXTENDABLE DIPPER
08-15	HYDRAULICS - VALVE, PILOT CONTROL AND JOYSTICKS (6 SPOOL, W/O EXT DIPPER, W/O AUX HYDS)
08-16	HYDRAULICS - VALVE, PILOT CONTROL AND JOYSTICKS (6 SPOOL, W/O EXT DIPPER, W/ AUX HYDS)
08-17	HYDRAULICS - VALVE, PILOT CONTROL AND JOYSTICKS (7 SPOOL, W/ EXT DIPPER, W/O AUX HYDS)
08-18	HYDRAULICS - VALVE, PILOT CONTROL AND JOYSTICKS (7 SPOOL, W/ EXT DIPPER, W/ AUX HYDS)
08-19	HYDRAULICS - VALVE, PILOT CONTROL AND JOYSTICKS (7 SPOOL, W/O EXT DIPPER, W/ AUX HYDS)
08-20	HYDRAULICS - VALVE, PILOT CONTROL AND JOYSTICKS (8 SPOOL, W/ EXT DIPPER, W/ AUX HYDS)
08-21	HYDRAULICS - PILOT CONTROL JOYSTICKS
08-22	HYDRAULICS - PILOT CONTROLS
08-23	HYDRAULICS - BACKHOE AUXILIARY (WITHOUT PILOT CONTROLS)
08-23A	HYDRAULICS - BACKHOE AUXILIARY (WITH PILOT CONTROLS)
08-24	HYDRAULICS - BACKHOE AUXILIARY
08-25	HYDRAULICS - RIDE CONTROL (87433240 SOLENOID VALVE)
08-26	HYDRAULICS - COUPLER, LOADER TOOL QUICK
08-27	HYDRAULICS - COUPLER, LOADER TOOL QUICK
08-28	VALVE, COUPLER (87435909) - LOADER TOOL OR BACKHOE
08-29	HYDRAULICS - COUPLER, BACKHOE BUCKET
08-30	HYDRAULICS - COUPLER, BACKHOE BUCKET
08-31	VALVE, COUPLER (87435910) - LOADER TOOL AND BACKHOE BUCKET
08-32	CYLINDER - COUPLER, BACKHOE BUCKET
08-33	PUMP, EQUIPMENT HYDRAULIC
08-34	VALVE ASSY - LOADER CONTROL, TWO SPOOL
08-35	VALVE ASSY - LOADER CONTROL, THREE SPOOL
08-36	VALVE ASSY - BACKHOE CONTROL, 6 SPOOL (W/O EXT DIPPER, W/O AUX HYDS, W/O PILOT CONTROLS)

---

# TABLE OF CONTENTS

---

08-37	VALVE ASSY - BACKHOE CONTROL, 7 SPOOL (W/O EXT DIPPER, W/ AUX HYDS, W/O PILOT CONTROLS)
08-38	VALVE ASSY - BACKHOE CONTROL, 7 SPOOL (W/ EXT DIPPER, W/O AUX HYDS, W/O PILOT CONTROLS)
08-39	VALVE ASSY - BACKHOE CONTROL, 8 SPOOL (W/ EXT DIPPER, W/ AUX HYDS, W/O PILOT CONTROLS)
08-40	VALVE ASSY - BACKHOE CONTROL, 6 SPOOL (W/O EXT DIPPER, W/ OR W/O AUX HYDS, W/ PILOT CONTROLS)
08-41	VALVE ASSY - BACKHOE CONTROL, 7 SPOOL (W/ EXT DIPPER, W/ OR W/O AUX HYDS, W/ PILOT CONTROLS)
08-42	VALVE ASSY - BACKHOE CONTROL, 7 SPOOL (W/O EXT DIPPER, W/ AUX HYDS, W/ PILOT CONTROLS)
08-43	VALVE ASSY - BACKHOE CONTROL, 8 SPOOL (W/ EXT DIPPER, W/ AUX HYDS, W/ PILOT CONTROLS)
08-43A	VALVE SECTION - INLET (WITH PILOT CONTROLS)
08-44	VALVE SECTION - BACKHOE SWING (WITH PILOT CONTROLS)
08-45	VALVE SECTION - BACKHOE BOOM (WITH PILOT CONTROLS)
08-46	VALVE SECTION - BACKHOE STABILIZER (WITH PILOT CONTROLS)
08-47	VALVE SECTION - BACKHOE DIPPER (WITH PILOT CONTROLS)
08-48	VALVE SECTION - BACKHOE BUCKET (WITH PILOT CONTROLS)
08-49	VALVE SECTION - EXTENDABLE DIPPER (WITH PILOT CONTROLS)
08-50	VALVE SECTION - OPTIONS, AUXILIARY HYDRAULICS (WITH PILOT CONTROLS)
08-51	VALVE ASSY, PRESSURE REDUCING (2 SPOOL) (WITH PILOT CONTROLS)
08-52	VALVE ASSY, PRESSURE REDUCING (3 SPOOL) (WITH PILOT CONTROLS)
08-53	VALVE ASSY, PRESSURE REDUCING (4 SPOOL) (WITH PILOT CONTROLS)
08-54	VALVE, JOYSTICK (PILOT CONTROLS) (LEFT-HAND) WITH HORN BUTTON
08-55	VALVE, JOYSTICK (PILOT CONTROLS) (LEFT-HAND) WITH HORN & UNI-DIRECTIONAL BUTTONS
08-56	VALVE, JOYSTICK (PILOT CONTROLS) (LEFT-HAND) WITH HORN & BI-DIRECTIONAL BUTTONS
08-57	VALVE, JOYSTICK (PILOT CONTROLS) (RIGHT-HAND) WITHOUT EXTENDABLE DIPPER
08-58	VALVE, JOYSTICK (PILOT CONTROLS) (RIGHT-HAND) WITH EXTENDABLE DIPPER
08-59	VALVE ASSY - SWING CUSHION (DAMPENING)
08-59A	SOLENOID VALVE - BOOM LOCK
08-60	ACCUMULATOR ASSY - RIDE CONTROL
08-61	FILTER ASSY, OIL
08-62	CYLINDER ASSY - LOADER LIFT
08-63	CYLINDER ASSY - LOADER BUCKET
08-64	CYLINDER ASSY - LOADER CLAM
08-65	CYLINDER ASSY - BACKHOE STABILIZER (580SM)
08-65A	CYLINDER ASSY - BACKHOE STABILIZER (580SM+)
08-66	CYLINDER ASSY - BACKHOE SWING
08-67	CYLINDER ASSY - BACKHOE BOOM
08-68	CYLINDER ASSY - BACKHOE DIPPER
08-69	CYLINDER ASSY - BACKHOE BUCKET
08-70	CYLINDER ASSY - BACKHOE EXTENDABLE DIPPER
09-01	CONTROLS - LOADER LIFT AND BUCKET
09-02	CONTROLS - LOADER CLAM
09-03	CONTROLS - LOADER SELF-LEVELING
09-04	FRAME - LOADER LIFT

---

# TABLE OF CONTENTS

---

09-05	FRAME - LOADER LINKAGE
09-06	BUCKET, LOADER LONG LIP (82 IN) (580SM)
09-07	BUCKET, LOADER LONG LIP (93 IN) (580SM / 580SM+)
09-08	BUCKET, LOADER CLAM (82 IN) (580SM)
09-08A	BUCKET, LOADER CLAM (93 IN) (580SM+)
09-09	GUARD - VALVE, LOADER
09-10	COUPLER, TOOL QUICK
09-11	COVERS - BACKHOE CONTROL TOWER, WITHOUT PILOT CONTROLS
09-12	BACKHOE CONTROL TOWER SUPPORT AND SEALS, WITHOUT PILOT CONTROLS
09-13	BACKHOE CONTROL TOWER SUPPORT, WITH PILOT CONTROLS
09-14	BACKHOE CONTROL TOWER BOOTS AND SEALS, WITH PILOT CONTROLS
09-15	BACKHOE CONTROL TOWER LEVERS (BOOM LATCH), WITH PILOT CONTROLS
09-16	CONTROLS - BACKHOE, WITH FOOT SWING (MODELS WITHOUT EXTENDABLE DIPPER)
09-17	CONTROLS - BACKHOE, WITH FOOT SWING (MODELS WITH EXTENDABLE DIPPER)
09-18	CONTROLS - BACKHOE, WITH HAND SWING (MODELS WITHOUT EXTENDABLE DIPPER)
09-19	CONTROLS - BACKHOE, WITH HAND SWING (MODELS WITHOUT EXTENDABLE DIPPER)
09-19A	CONTROLS - BACKHOE, EXCAVATOR CONTROL PATTERN
09-20	CONTROLS - BACKHOE, WITH HAND SWING (MODELS WITH EXTENDABLE DIPPER)
09-21	CONTROLS - BACKHOE AUXILIARY HYDRAULICS, WITHOUT PILOT CONTROLS
09-22	BACKHOE - STABILIZERS, PLATES AND PADS (580SM)
09-22A	BACKHOE - STABILIZERS, PLATES AND PADS (580SM+)
09-23	BACKHOE - SWING TOWER AND SWING CYLINDERS
09-24	BACKHOE - BOOM AND SWING TOWER
09-25	BOOM LATCH (WITHOUT PILOT CONTROLS)
09-25A	BOOM LATCH (WITH PILOT CONTROLS)
09-26	BACKHOE - DIPPER AND BUCKET
09-27	BACKHOE - DIPPER, EXTENDABLE
09-28	DIPPER, BACKHOE - COUPLER, HYDRAULIC (MODELS WITH HYDRAULIC BACKHOE BUCKET COUPLER)
09-29	BUCKET, UNIVERSAL BACKHOE (305 MM (12 INCH) WIDE)
09-30	BUCKET, UNIVERSAL BACKHOE (406 MM (16 INCH) WIDE)
09-31	BUCKET, UNIVERSAL BACKHOE (457 MM (18 INCH) WIDE)
09-32	BUCKET, UNIVERSAL BACKHOE (610 MM (24 INCH) / 762 MM (30 INCH) WIDE)
09-33	BUCKET, UNIVERSAL BACKHOE (914 MM (36 INCH) WIDE)
09-34	BUCKET, UNIVERSAL BACKHOE (610 MM (24 INCH) / 762 MM (30 INCH) WIDE)
09-34A	FROST POINT ASSEMBLY
09-35	COUNTERWEIGHT, FRONT
09-36	CHASSIS / MOUNTS, POD - SCREEN, AIR INLET
09-37	TANK, OIL - BOX, BATTERY AND TOOL
09-38	RADIATOR WRAPPER
09-39	HOOD - PANELS, SIDE
09-40	HOOD - GRILLE
09-41	PLATES, FLOOR - FLOORMATS
09-42	FENDER COVER, LEFT-HAND - PANEL, REAR CLOSURE (STORAGE TRAY WITH CUP HOLDER)
09-43	FENDER EXTENSIONS

---

# TABLE OF CONTENTS

---

09-44	GUARD, MUD
09-45	SEAT - MOUNTING (MILSCO AND SEARS AIR SUSPENSION)
09-45A	SEAT - MOUNTING (SEARS, STANDARD)
09-45B	SEAT - MOUNTING (SEARS MECHANICAL SUSPENSION)
09-46	SEAT ASSY, STANDARD (MILSCO)
09-47	SEAT SUPPORT AND PEDESTAL, STANDARD (MILSCO)
09-48	SEAT ASSY, MECHANICAL SUSPENSION (MILSCO)
09-49	SEAT PEDESTAL AND SUSPENSION, MECHANICAL SUSPENSION (MILSCO)
09-49A	SEAT ASSY, MECHANICAL SUSPENSION (SEARS)
09-50	SEAT ASSY, AIR SUSPENSION (SEARS)
09-51	SEAT PEDESTAL AND SUSPENSION, AIR SUSPENSION (SEARS)
09-52	CAB - GLASS, MIRROR AND HOLD OPEN
09-53	CAB - FRAME AND COVERS
09-54	CAB - DOORS, IF USED (SEE GLASS AND HINGES; REF 4, 27, 29)
09-54A	CAB - DOORS, IF USED (SEE GLASS AND HINGES; REF 4, 27, 29)
09-55	CAB - DOOR MOUNTING
09-56	CAB - WINDOW, RIGHT-HAND, FOR SINGLE DOOR CAB FRAMES, IF USED (SEE GLASS AND HINGES; REF 1, 5, 6)
09-56A	CAB - WINDOW, RIGHT-HAND, FOR SINGLE DOOR CAB FRAMES, IF USED (SEE GLASS AND HINGES; REF 1, 5, 6)
09-57	CAB - WINDOW, REAR
09-58	CAB - WASHER, WINDSHIELD
09-59	CAB - WIPERS
09-60	CAB HEADLINER - FILTER, LOUVERS, DOME LAMP
09-61	CAB - FILTER, AIR
09-62	CAB - BLOWER HOUSING, VENTILATION DUCTS, DRAIN LINES
09-63	CAB - HEATER
09-64	CAB - AIR CONDITIONING LINES, EVAPORATOR CORE
09-65	CAB - AIR CONDITIONING, CONDENSER, RECEIVER-DRIER
09-66	CAB - AIR CONDITIONING COMPRESSOR
09-67	CANOPY, ROPS - FRAME, COVERS, MIRROR, VISOR
09-68	CANOPY, ROPS - GLASS
09-69	CANOPY, ROPS - WIPER, FRONT AND WINDSHIELD WASHER
09-70	MIRROR, REAR VIEW - MOUNTING, CAB MODELS
09-71	SLOW MOVING VEHICLE EMBLEM
09-72	DECALS
09-73	DECALS
09-74	DECALS
09-74A	DECALS - 50TH ANNIVERSARY
09-75	DECALS - ENGLISH
09-76	DECALS - LATIN AMERICAN SPANISH
09-77	DECALS - CANADIAN FRENCH
09-78	DECALS - ENGLISH
09-79	DECALS - LATIN AMERICAN SPANISH
09-80	DECALS - CANADIAN FRENCH

---

## NOTES

---

# GENERAL INFORMATION

## PROPRIETARY NOTICE

The contents of this manual are proprietary data of this company. Reproduction or use of any part for other than the operation and maintenance of our equipment is permissible only if expressly authorized in writing.

Additional copies may be obtained from your dealer. Address requests for copies to your Dealer and refer to the publication part number appearing on the bottom of the rear catalog cover or on the title page.

## COMPANY POLICY

Company policy, which is one of continuous improvement, reserves the right to change prices and to make changes in design and specification at any time without notice and without obligation to modify units previously built.

All data given in this book is subject to production variations. Dimensions and weights are approximate only and the illustrations do not necessarily show machines in standard condition. For exact information about any particular machine please consult your dealer.

## PARTS AND ACCESSORIES

Genuine parts and accessories have been specifically designed for these machines.

We would like to point out that “non-genuine” parts and accessories have NOT been examined and released by the Company. The installation and or use of such products could have negative effects upon the design characteristics of your machine and thereby affect its safety. The company is not liable for any damage caused by the use of “non-genuine” parts and accessories.

## IMPROVEMENTS

We are continually striving to improve our products. We reserve the right to make improvements or changes when it becomes practical and possible to do so, without incurring any obligation to make changes or additions to the equipment sold previously.

## MODEL CODES

The range of machines listed may not be available in all countries or markets therefore, for the latest information consult your local dealer.

## OWNER ASSISTANCE

We want you to be completely satisfied with your investment. Normally any problems with your equipment will be handled by your dealer's Service Department; however, misunderstandings can occur. If your problem has not been handled to your satisfaction, we suggest the following:

1. Contact the owner or General Manager of the dealership, explain the problem, and request assistance. When additional assistance is needed, your dealer has direct access to our office.
2. Provide your dealer with:
  - Your Name, Address, and Telephone number
  - Machine Model and Serial Number
  - Dealership Name and Address
  - Machine purchase date and amount of use
  - Nature of problem

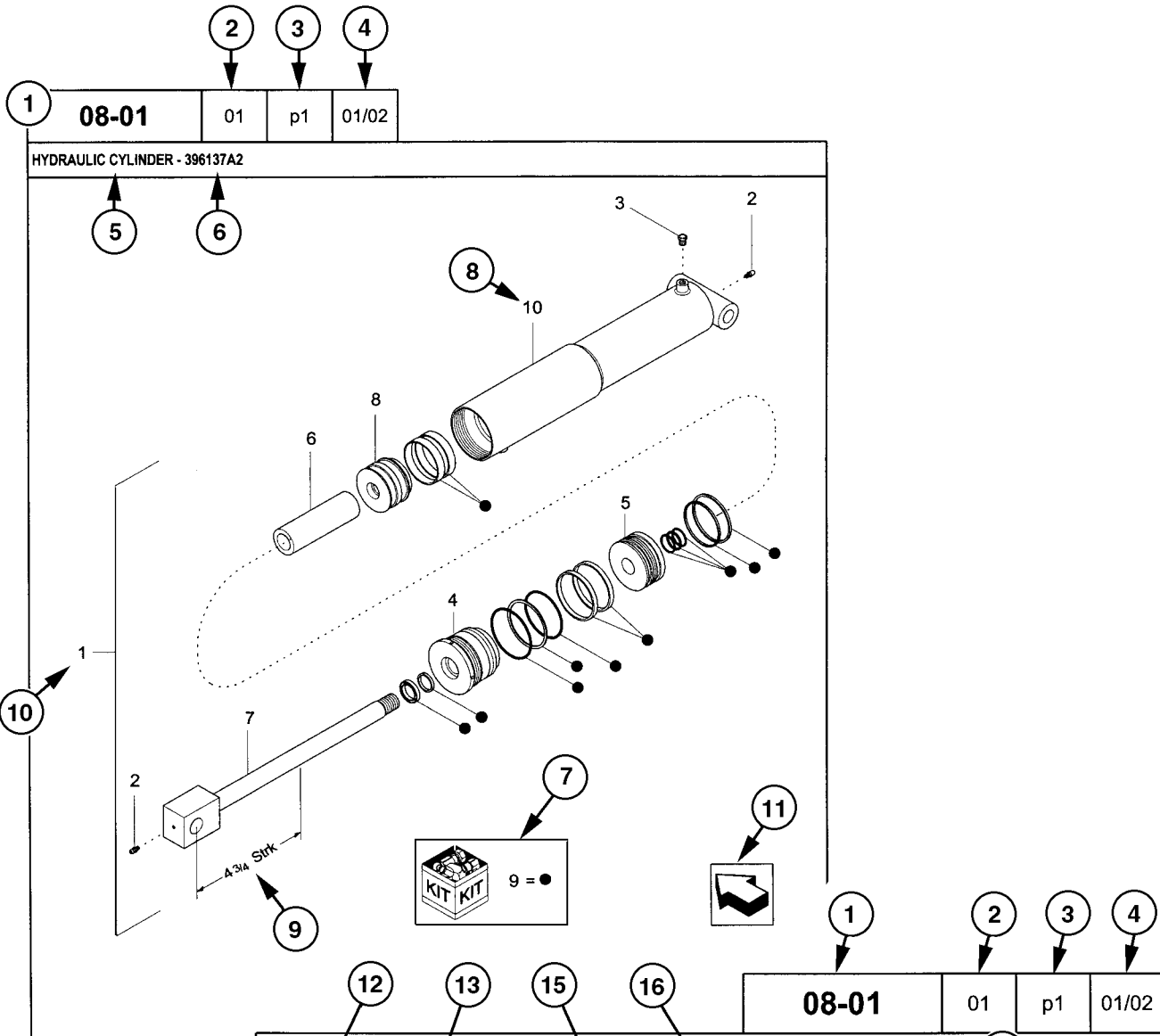
Be aware that your problem will likely be resolved in the dealership using the dealer's facilities, equipment, and personnel. So it is important that your initial contact be with the dealer.

## SPARE PARTS

To maintain operating efficiency, use original spare parts.

When ordering parts, give the following information:

- Machine Model
- Machine and Engine Serial Numbers
- Part Number from the Parts Catalog



REF	FN	PART NUMBER	YR/SN	QTY	DESCRIPTION
1	1	396137A2	BTW 01/85 & 02/02	1	CYLINDER ASSY. 4-3/4 in strk, Inc 2-10
2		31-95	Before 01/85	2	FITTING
2		219-8	From 01/85	2	NIPPLE, LUBE Grease, 1/4 tpr x 17/32
3		{402475A2}		1	BREATHER
4		402474A1		1	CAP CYLINDER END
5		402468A1	BSN JJC0189199	1	PISTON ROD/GLAND
5		145221C3	ASN JJC0189200	1	PISTON
6		402471A1		1	SPACER
7		402473A1		1	ROD, PISTON
8		402469A1		1	PISTON ROD/GLAND
9		402476A1		1	PACKAGE, SEALS
10		NSS		1	NOT SERVICED SEPARAT CASE ASSEMBLY
(1)	08-20				
		STANDARD			
		MODELS			

## HOW TO USE YOUR PARTS CATALOG

1. Figure Number
2. Sequence Code within the Figure Number
3. Page Number within the Sequence Code
4. Date of Printing (month / year)
5. Figure Description
6. General information regarding the figure
7. Parts supplied in repair kits per symbol reference
8. Figure call-out of the part number (REF)
9. Technical specifications relating to the part indicated
10. Figure call-out includes bracketed items, the included items may also be listed in the additional description area
11. Orientation - Arrow indicates front of the machine
12. Footnote - Additional information relating to the part number. In this example, 08-20 equals another figure that this part is shown on
13. Part Number
  - NSS = Not Serviced Separately (Non-serviced parts)
  - Bracketed numbers = not available as service parts in this market
14. Not Available as service part in this market
15. YR/SN
  - Year
    - Before 01/85 = Part valid for production January 1985 and before
    - From 01/85 = Part valid for production from January 1985 and after
    - BTW 01/85 & 02/02 = Part valid for machines produced between January 1985 and February 2002.
  - Serial Number (P.I.N.)
    - BSN JJC0268800 = Part valid for serial number JJC0268800 and below
    - ASN JJC0268800 = Part valid for serial number JJC0268800 and above
    - BTW JJC0178000 & JJC0179000 = Part valid for serial numbers between JJC0178000 & JJC0179000
16. Total Quantity of the Part referred to in the page. The quantity can be replaced by the following indications:
  - AR = As Required
  - X = As required
17. Part Description
18. Additional description of the part to help confirm identification
19. Figure Notes
20. Model Number(s)

### RIGHT-HAND AND LEFT-HAND

The reference to right-hand and left-hand in this catalog is identified by the operator standing at the rear of the basic unit (without rear attachment), looking toward the front of the machine (in normal forward travel).

For pages covering any machine attachments, right-hand and left-hand are defined by the operator sitting in the position for proper operation of the attachment.

### DIMENSIONS

Metric and U.S. hardware dimensions do not show the numeric designations of standard coarse threads. A number following a semi colon (;) is the class or grade of hardware. A comma (,) represents the decimal point (.) used in U.S. dimensions.

## EXPLANATION OF ABBREVIATIONS

AC	Alternating Current
adj	adjustable
amp	ampere
AR	As required
ASN	Serial number and after P.I.N. and after
blkhd	bulkhead
br	branch
BSN	before Serial number before P.I.N.
BTW	between
cc	cubic centimetre
cl	class
cmprsn	compression
cn pt	cone point
cp pt	cup point
CRS	Chrome Alloy Steel
CST	Carbon Steel
cu yd	cubic yard
DC	Direct Current
deg	degree
dg pt	dog point
dia	diameter
dr type	drive type
fc	face
fc sl	face seal
fem	female
fem PT	female pipe thread
fl	flare
flat pt	flat point
ft	feet or foot
ga	gauge
gal	gallon or gallons
gpm	gallons per minute
gr	grade
hd	head
hdg pt	half dog point
hp	horsepower
ID	inside diameter
in	inch or inches
Incl.	Includes
inv fl	inverted flare
K	kilo
kg	kilogram
km/h	kilometers per hour

L	litre
lb	pounds
lb-ft	pound-foot
lg	long
LH	left-hand
LH thd	left-hand thread
M	(prefix) metric thread size
m	metre
ml	milliliter
mm	millimetre
NF	National Fine
No.	number
NPT	National Pipe Thread
NS	National Super Fine
OD	outside diameter
ohm	electrical unit of resistance
Or	O-ring
ORB	O-ring boss
ORFS	O-ring face seal
ov cntr	over center
ov pt	oval point
oz	ounce
P	pitch
psi	pounds per square inch
pt	pint
PT	pipe thread
rd	round
rd holes	round holes
RH	right-hand
RH thd	right-hand thread
rpm	revolutions per minute
sl	self-locking
sq	square
SST	Stainless Steel
st	self-tapping
strk	stroke
sw	swivel
T	teeth
thk	thick
tpr	taper
tube OD	tube outside diameter
V	volt or volts
W	watt or watts
X	as required
yd	yard

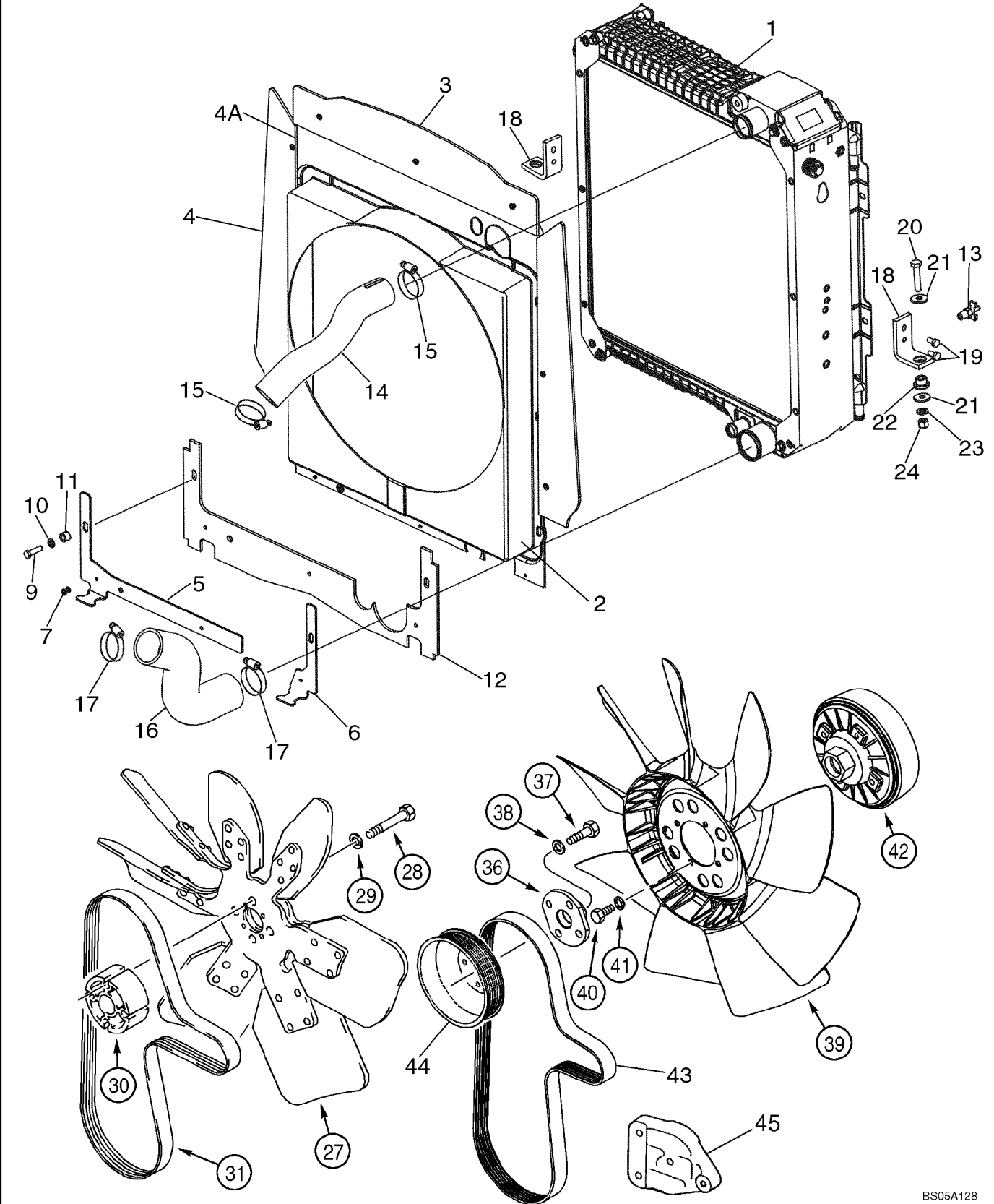
---

## SECTION INDEX

---

02-01	RADIATOR - MOUNTING
02-02	DEAERATION SYSTEM - MOUNTING
02-03	RADIATOR ASSY (WITHOUT AIR CONDITIONING)
02-03A	RADIATOR ASSY (WITH AIR CONDITIONING)
02-04	AIR CLEANER - AIR INTAKE PARTS
02-05	AIR CLEANER
02-06	MUFFLER - EXHAUST SYSTEM (WITH TURBOCHARGER)
02-06A	MUFFLER, ASPIRATED & SPARK ARRESTOR - EXHAUST SYSTEM
02-07	ENGINE - MOUNTING
02-07A	ENGINE - BLOCK HEATER
02-08	ENGINE
02-09	CYLINDER BLOCK
02-10	CYLINDER BLOCK
02-11	OIL PUMP, PAN
02-12	CYLINDER BLOCK - COVERS
02-13	CYLINDER BLOCK - COVERS
02-14	CYLINDER BLOCK - COVERS
02-15	BREATHER - ENGINE
02-16	CYLINDER HEAD
02-17	CYLINDER HEAD - COVERS
02-18	CYLINDER HEAD - VALVE MECHANISM
02-19	MANIFOLD - INTAKE
02-20	MANIFOLD - EXHAUST
02-21	CRANKSHAFT
02-22	PISTONS - CONNECTING ROD
02-23	PISTONS - CONNECTING ROD
02-24	FLYWHEEL - ENGINE
02-25	PULLEY - CRANKSHAFT
02-26	DYNAMIC BALANCER, GEARS & SHAFTS
02-27	DYNAMIC BALANCER, GEARS & SHAFTS (2830952)
02-28	CAMSHAFT
02-29	TURBOCHARGER
02-30	ENGINE, OIL
02-31	OIL PUMP - ENGINE
02-32	OIL FILTERS - ENGINE
02-33	PIPING - ENGINE OIL
02-34	OIL FILTER AND COOLER
02-35	WATER PUMP
02-36	COOLING SYSTEM - ENGINE
02-37	THERMOSTAT - ENGINE COOLING SYSTEM
02-38	WATER PUMP - CONTROL
02-39	FAN DRIVE
02-40	POWER TAKE-OFF
02-41	ENGINE - LIFT HOOK

RADIATOR - MOUNTING

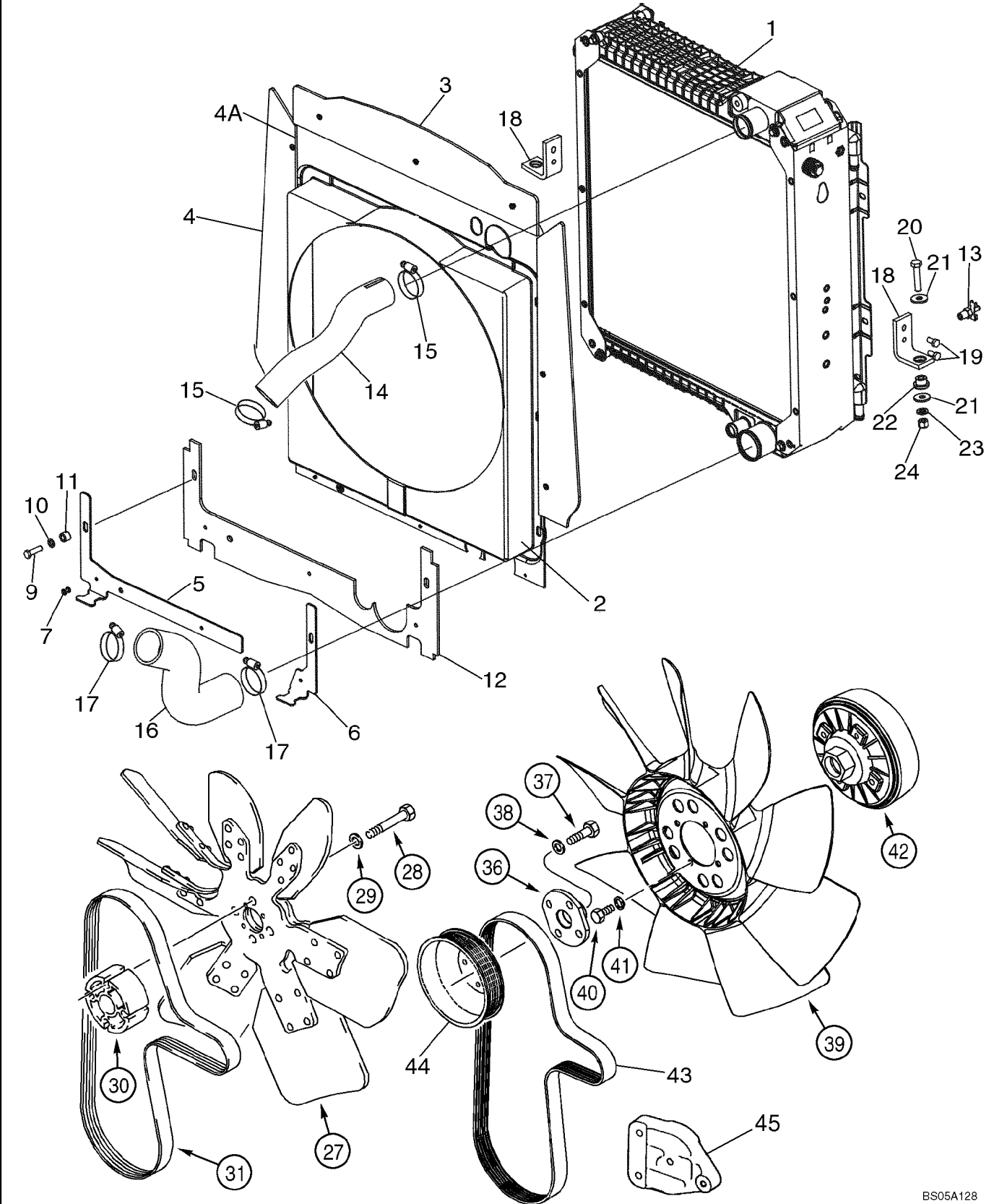


## RADIATOR - MOUNTING

REF	FN	PART NUMBER	YR/SN	QTY	DESCRIPTION
1		87410096		1	RADIATOR, 3 Row Radiator, Models Without Air Conditioning; See Figure 02-03
1		87410098		1	RADIATOR, 5 Row Radiator, Models With Air Conditioning; See Figure 02-03A
		87434793		1	SHROUD, ASSEMBLY; Incl. Ref 2 - 4A
2		87417301		1	SHROUD, Fan
3		87434775		1	SEAL, RUBBER, Top
4		87434774		2	SEAL, RUBBER, Sides
4A		87301355		9	RIVET, Pop, 3/16" x .575", 3/16 x 37/64
5		87434614		1	PLATE, RETAINING, Plate, Lower Left-Hand Shroud; With 1 Slot, 3 Holes; If Used
5		87446082		1	PLATE, RETAINING, Plate, Lower Left-Hand Shroud; With 2 Slots, 2 Holes; If Used
6		87434649		1	PLATE, RETAINING, Plate, Lower Right-Hand Shroud; 199 mm (7-27/32 in) Long; If Used
6		87446081		1	PLATE, RETAINING, Plate, Lower Right-Hand Shroud; 195 mm (7-11/16 in) Long; If Used
7		87301356		3	RIVET, Pop, 3/16" x .700", 3/16 x 11/16
9		614-8030		2	BOLT, Hex, M8 x 30, 8.8
10		895-11008		2	WASHER, M8 x 16 x 1.6
11		407962A1		2	SPACER
12		87434978		1	SEAL, RUBBER, Lower Seal
13		81465471		1	DRAINCOCK/TAP, SUPPLY, Drain, 1/4
14		87413237		1	HOSE, LARGE, Upper; Part Number Stamped On Hose; If Used
14		87454377		1	HOSE, LARGE, Upper; Part Number Stamped On Hose; If Used
15		214-1432		2	CLAMP, HOSE, #32, 1.56/2.50 Type F Worm, 1-9/16 x 2-1/2
16		87407272		1	HOSE, LARGE, Lower; 6.4 mm (1/4 in) Thick; Part Number Stamped On Hose; If Used
16		87454378		1	HOSE, LARGE, Lower; 5.6 mm (7/32 in) Thick; Part Number Stamped On Hose; If Used
17		214-1440		2	CLAMP, HOSE, #40, 2.06/3.00 Type F Worm, 2-1/16

580SM 580SM+

RADIATOR - MOUNTING



## RADIATOR - MOUNTING

REF	FN	PART NUMBER	YR/SN	QTY	DESCRIPTION
18		87407771		2	BRACKET, SUPPORTING, Radiator Mounting Support
19		614-8016		4	BOLT, Hex, M8 x 16, 8.8
20		814-10050		2	BOLT, Hex, M10 x 50, 8.8
21		K691987		4	WASHER, Flat, 10 mm
22		D52276		2	ISOLATOR, Rubber
23		895-11010		2	WASHER, M10 x 20 x 2
24		832-10410		2	NUT, LOCK, M10 x 1.5, Cl 8
27		228133A2		1	FAN, 39 Degrees; Standard Fan Drive; With Air Conditioning
27		185377A1		1	FAN, 33 Degrees; Standard Fan Drive; Without Air Conditioning
28		814-10090		4	BOLT, Hex, M10 x 90, 8.8
29		496-21041		4	WASHER, 13/32" x 13/16" x .089", HDN, 13/32 x 13/16 x 3/32
30		87353191		1	SPACER, Die Cast, 59 mm Long, Standard Fan Drive; With Or Without Air Conditioning; Replaces 85826229 Aluminium 59 mm Long Spacer that has Part Number Stamped On Spacer Used On Some Models
31		85826230		1	BELT, V-Type, Standard Fan Drive; With Or Without Air Conditioning
36		303192A1		1	ADAPTER, Viscous Fan Drive, With Air Conditioning
37		614-10030		4	BOLT, Hex, M10 x 30, 8.8
38		896-11010		4	WASHER, M10 x 21.5 x 2.5, HT
39		277800A1		1	FAN, 9 Blade, Viscous Fan Drive; With Air Conditioning
40		614-8016		4	BOLT, Hex, M8 x 16, 8.8
41		892-11008		4	WASHER, LOCK, M8
42		87340008		1	DRIVE ASSY., Fan Drive; Component Parts Not Serviced Separately; Viscous Fan Drive; With Air Conditioning; Replaces 303195A1, 47049810
43		87415774		1	BELT, TRANSMISSION, V-Type; Viscous Fan Drive, With Air Conditioning

**580SM 580SM+**

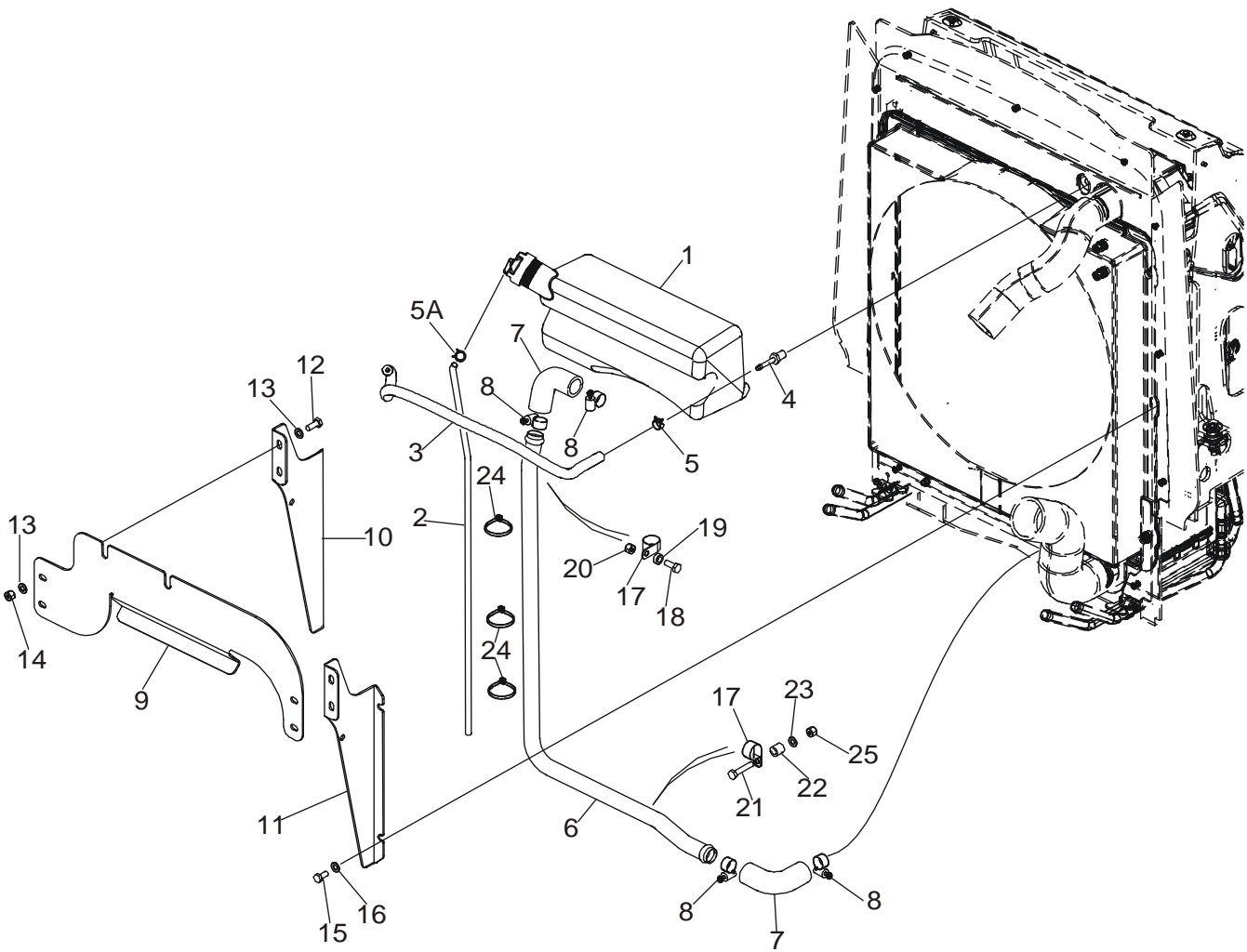


## RADIATOR - MOUNTING

REF	FN	PART NUMBER	YR/SN	QTY	DESCRIPTION
		87419385		1	BODY, Fan 1.4:1 Ratio Pulley Kit; Includes Ref 44, 45; Viscous Fan Drive; With Air Conditioning; No Longer Available For Service, Order Components
44		4890343		1	PULLEY
45		87442419		1	BRACKET, Pulley Tensioner Support, Painted, Replaces 2852621, 504069572 Which Were Used With 86990710 Engine

**580SM 580SM+**

DEAERATION SYSTEM - MOUNTING

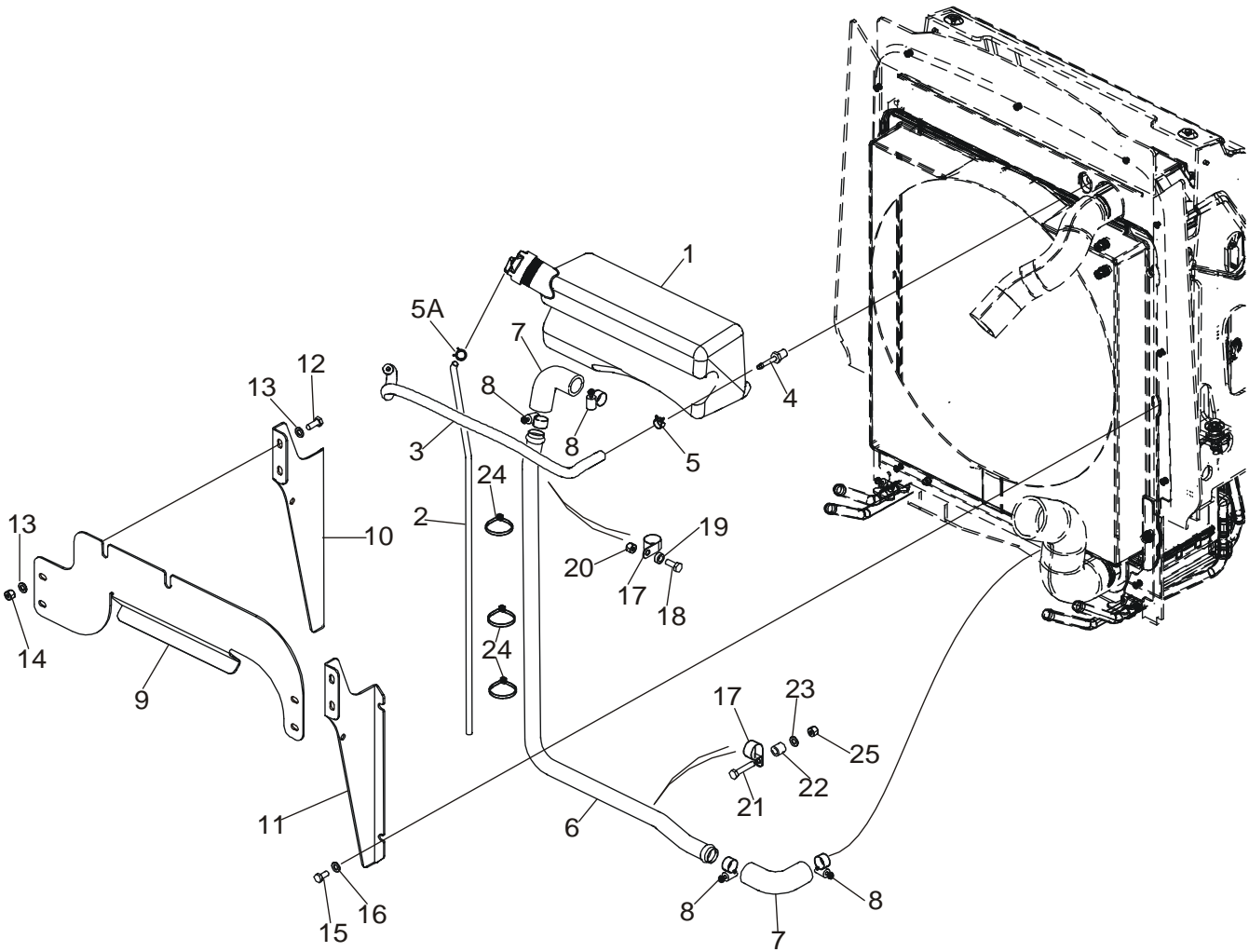


## DEAERATION SYSTEM - MOUNTING

REF	FN	PART NUMBER	YR/SN	QTY	DESCRIPTION
1		87354587		1	RESERVOIR, COOLANT EXPNSN, Deaeration Reservoir, 3.5 Liters; Includes 85803019 Cap; Replaces 87412139 Reservoir, Which Also Included 85803019 Cap
		85803019		1	PLUG, Cap, 13 psi
2		87435409		1	HOSE, Overflow Hose
3		87417300		1	HOSE, Recovery, 5/16 ID x 19/32 OD x 22-11/64; Reservoir to Radiator; If Used
3		87306306		1	HOSE, Recovery, 5/16 ID x 19/32 OD x 22-1/4; Reservoir to Radiator; If Used
4		87301325		1	FITTING, 5/16" Hose X 1/4" NPTF Beaded, Fitting, 5/16 Stem x 1/4 NPTF
5		1348264C1		1	CLAMP, HOSE
5A		214-1704		1	CLAMP, HOSE, #4, 0.25/0.62 Type M Worm, Type M, No. 04
6		87433503		1	TUBE
7		87417299		2	HOSE, R31.8 Bend Radius; Part Number Not Stamped On Hose; If Used
7		87454376		2	HOSE, R33 Bend Radius; Part Number Stamped On Hose; If Used
8		214-1416		4	CLAMP, HOSE, #16, 0.81/1.50 Type F Worm, Type F, No. 16
9		87448489		1	BRACKET, Replaces 87417223 Bracket
10		87417225		1	BRACKET, Left-Hand Bracket
11		87417224		1	BRACKET, Right-Hand Bracket
12		614-8020		4	BOLT, Hex, M8 x 20, 8.8
13		895-11008		8	WASHER, M8 x 16 x 1.6
14		832-10408		4	NUT, M8 x 1.25, Cl 8
15		806-8016		4	BOLT, Hex, Lock, M8 x 16, Cl 10.9, M8 x 16
16		895-11008		4	WASHER, M8 x 16 x 1.6
17		515-22254		2	CLAMP, 1", Insul, 5/16" Bolt
18		614-8020		1	BOLT, Hex, M8 x 20, 8.8
19		87418359		1	SPACER, 8 x 6 mm
20		829-1408		1	NUT, M8, Cl 10

**580SM 580SM+**

DEAERATION SYSTEM - MOUNTING

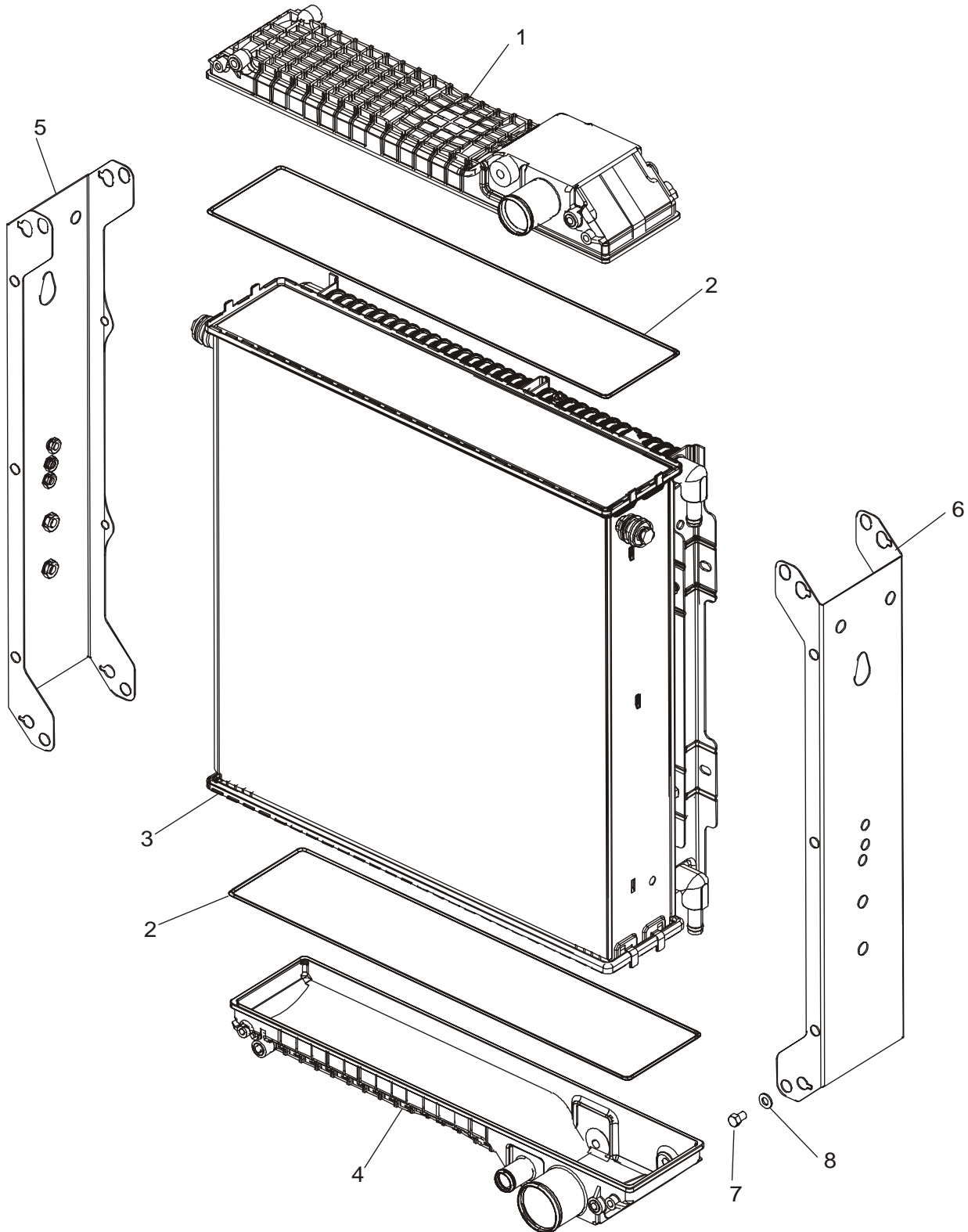


## DEAERATION SYSTEM - MOUNTING

REF	FN	PART NUMBER	YR/SN	QTY	DESCRIPTION
21		614-8040		1	BOLT, Hex, M8 x 40, 8.8, Full Thd, Hex, M8 x 40, 8.8, Full Thd
22		87418360		1	SPACER, 8 x 16 mm
23		895-11008		1	WASHER, M8 x 16 x 1.6
24		L18337		3	STRAP, CABLE, 9.95"-12.1" lg, Tie
25		832-10408		1	NUT, M8 x 1.25, C18

**580SM 580SM+**

RADIATOR ASSY (WITHOUT AIR CONDITIONING)



## RADIATOR ASSY (WITHOUT AIR CONDITIONING)

REF	FN	PART NUMBER	YR/SN	QTY	DESCRIPTION
		87410096		1	RADIATOR, 3 Row Radiator, Models Without Air Conditioning; Incl. Ref 1 - 8
1		87429694		1	RESERVOIR, COOLANT EXPNSN, Upper Reservoir
2		254409A1		2	SEAL
3		87429690		1	CORE, RADIATOR, Core
4		87429695		1	RESERVOIR, COOLANT EXPNSN, Lower Reservoir
5		87429692		1	SIDE MEMBER, Left-Hand
6		87429693		1	SIDE MEMBER, Right-Hand
7		614-8012		8	SCREW, Hex, M8 x 12, 8.8, Full Thd
8		895-11008		8	WASHER, M8 x 16 x 1.6

580SM 580SM+



**Suggest:**

**If the above button click is invalid.**

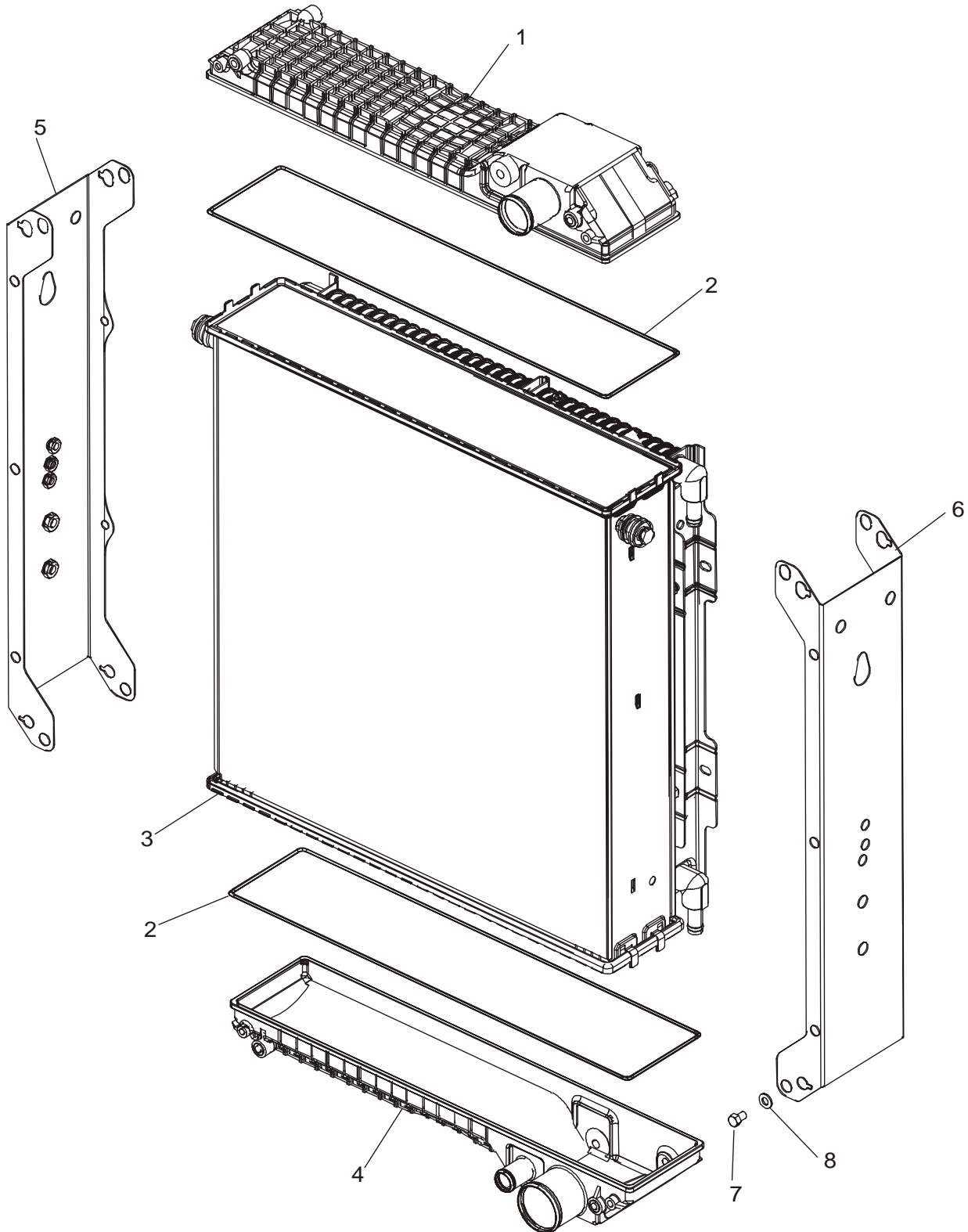
**Please download this document**

**first, and then click the above link**

**to download the complete manual.**

**Thank you so much for reading**

RADIATOR ASSY (WITH AIR CONDITIONING)



**<https://www.ebooklibonline.com>**

Hello dear friend!

Thank you very much for reading.

Enter the link into your browser.

The full manual is available for immediate download.

**<https://www.ebooklibonline.com>**