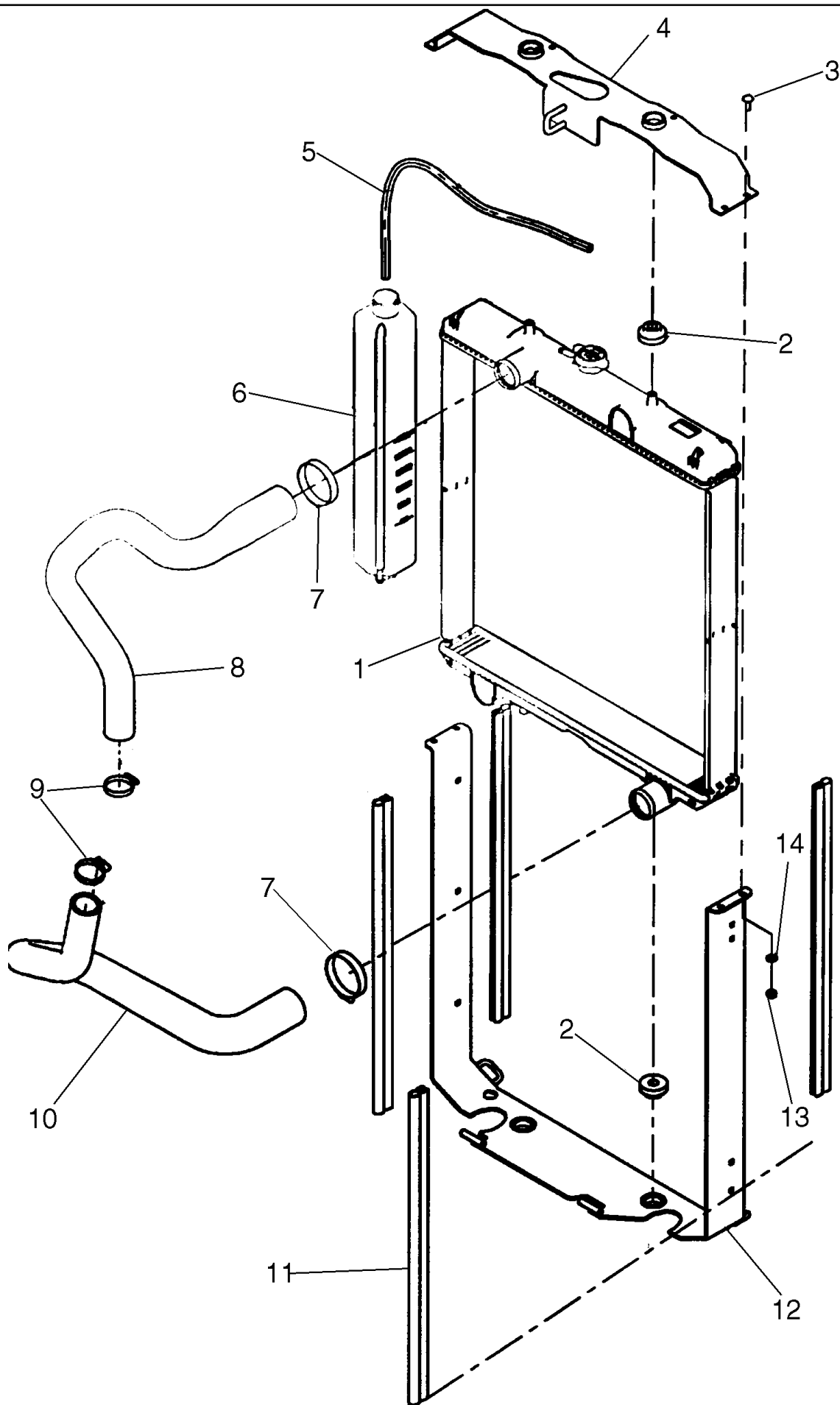




# PARTS CATALOGUE

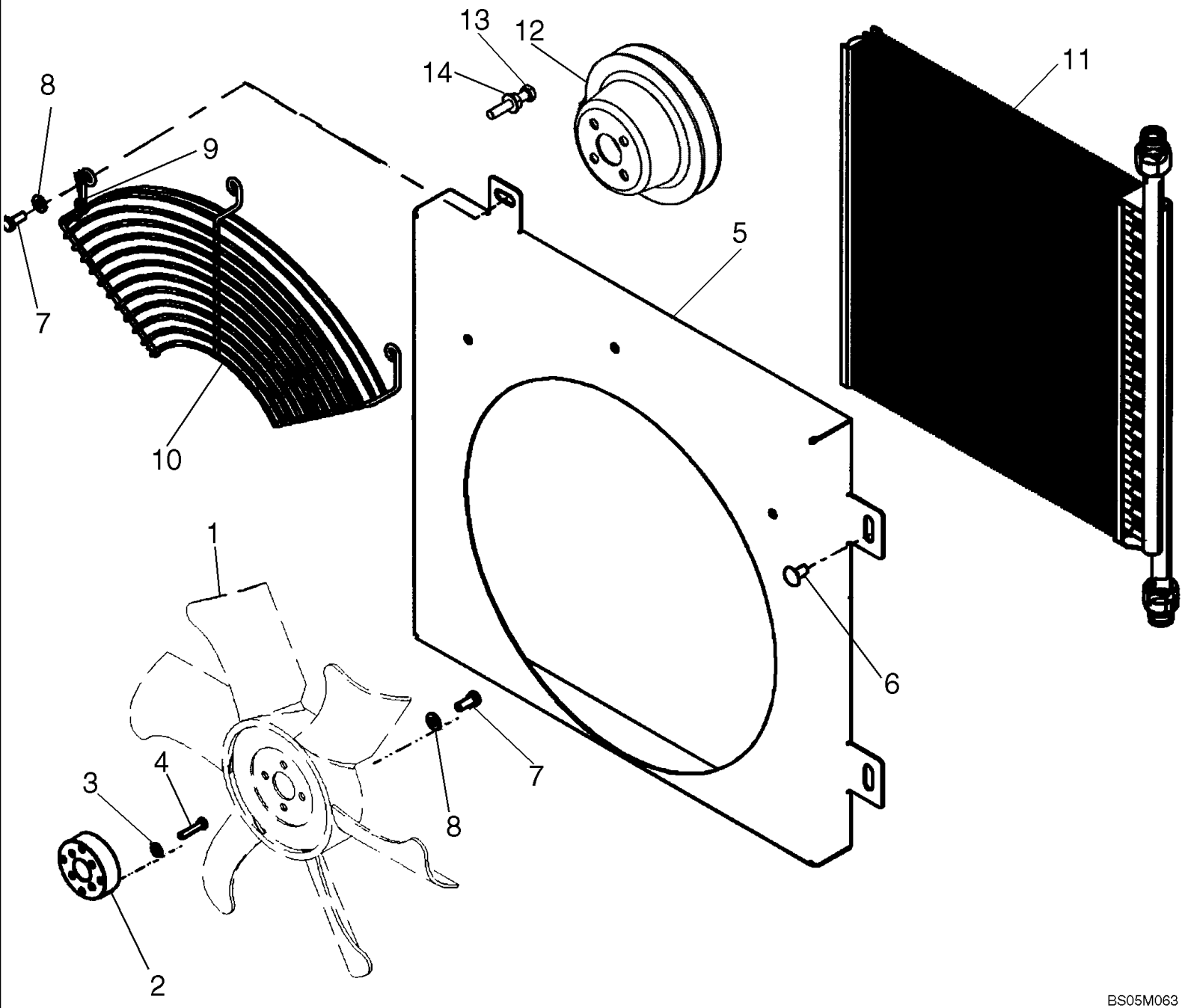
SKID STEER LOADER  
410



## 410 SKID STEER (2/05- )

## 02-01 RADIATOR - COOLANT RECOVERY SYSTEM

Ref	Part Number	Qty	Description
1	87013856	1	RADIATOR, Incl. 1A, 1B
1A	87032485	1	DRAINCOCK/TAP, SUPPLY, Drain
1B	87032486	1	CAP, RADIATOR,
2	87017045	4	CUSHION,
3	280638	4	BOLT, CARRIAGE, Short NK, 1/4"-20 x 3/4", G5, Full Thd,
4	87459340	1	FRAME, Upper Radiator; Component Parts Not Serviced Separately
5	87047483	1	HOSE, Coolant Recovery
6	87020980	1	RESERVOIR, COOLANT EXPNSN, Incl. Cap 257884A1
	257884A1	1	PLUG,
7	86050202	2	CLAMP, #32, 1.56/2.50 Type F Worm,
8	87047295	1	HOSE, Upper Radiator
9	513309	2	CLAMP, #24, 1.06/2.00 Type F Worm,
10	87047294	1	HOSE, Lower Radiator
11	87033635	4	SEAL,
12	87050449	1	FRAME ASSY, Lower Radiator
12	87393454	1	FRAME, Lower Radiator; Replaces 87050449
13	7770	4	NUT, 1/4"-20, G5,
14	322357	4	WASHER, SPRING, Belleville, M6,



**<https://www.ebooklibonline.com>**

Hello dear friend!

Thank you very much for reading.

Enter the link into your browser.

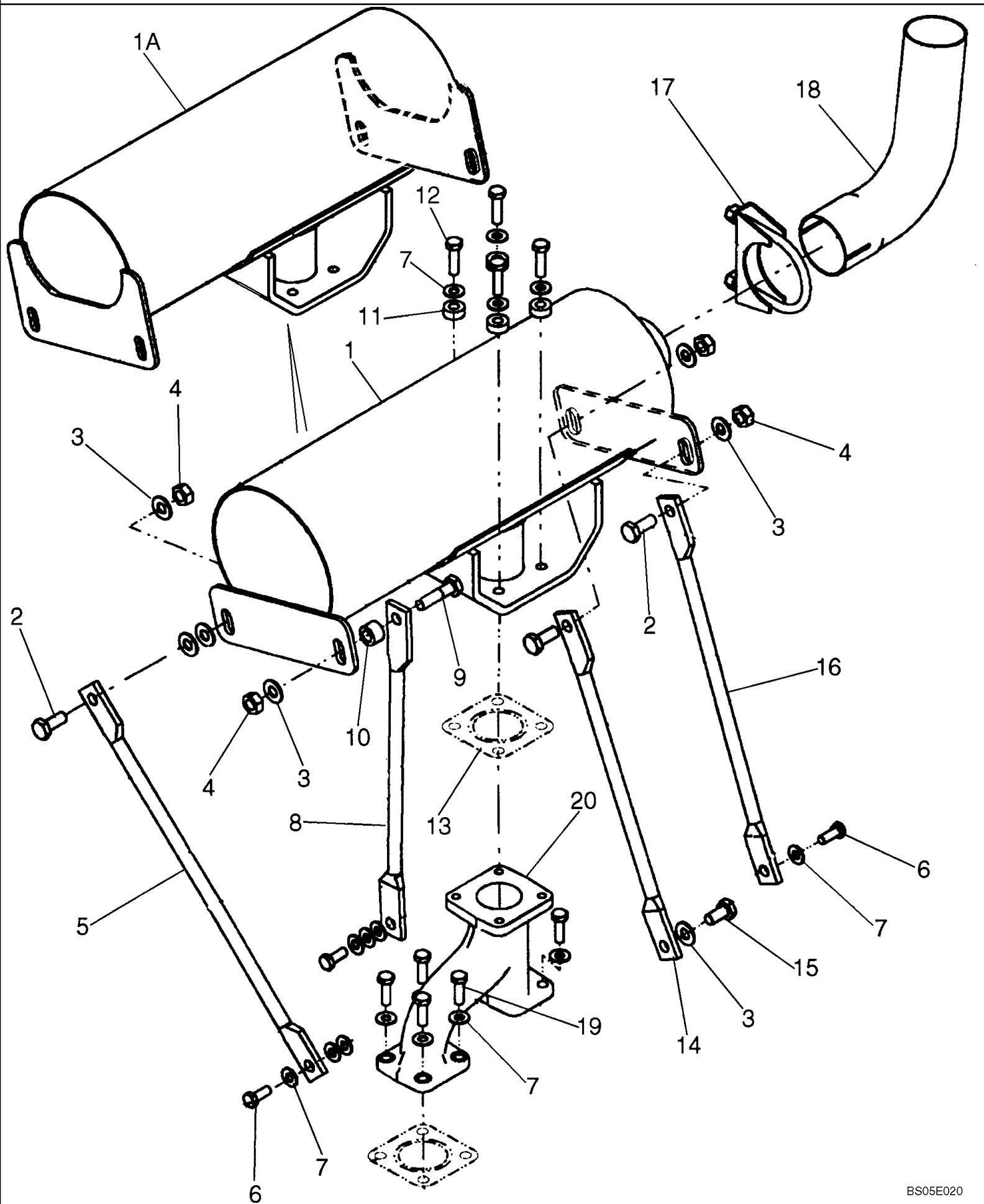
The full manual is available for immediate download.

**<https://www.ebooklibonline.com>**

## 410 SKID STEER (2/05- )

## 02-02 FAN MOUNTING

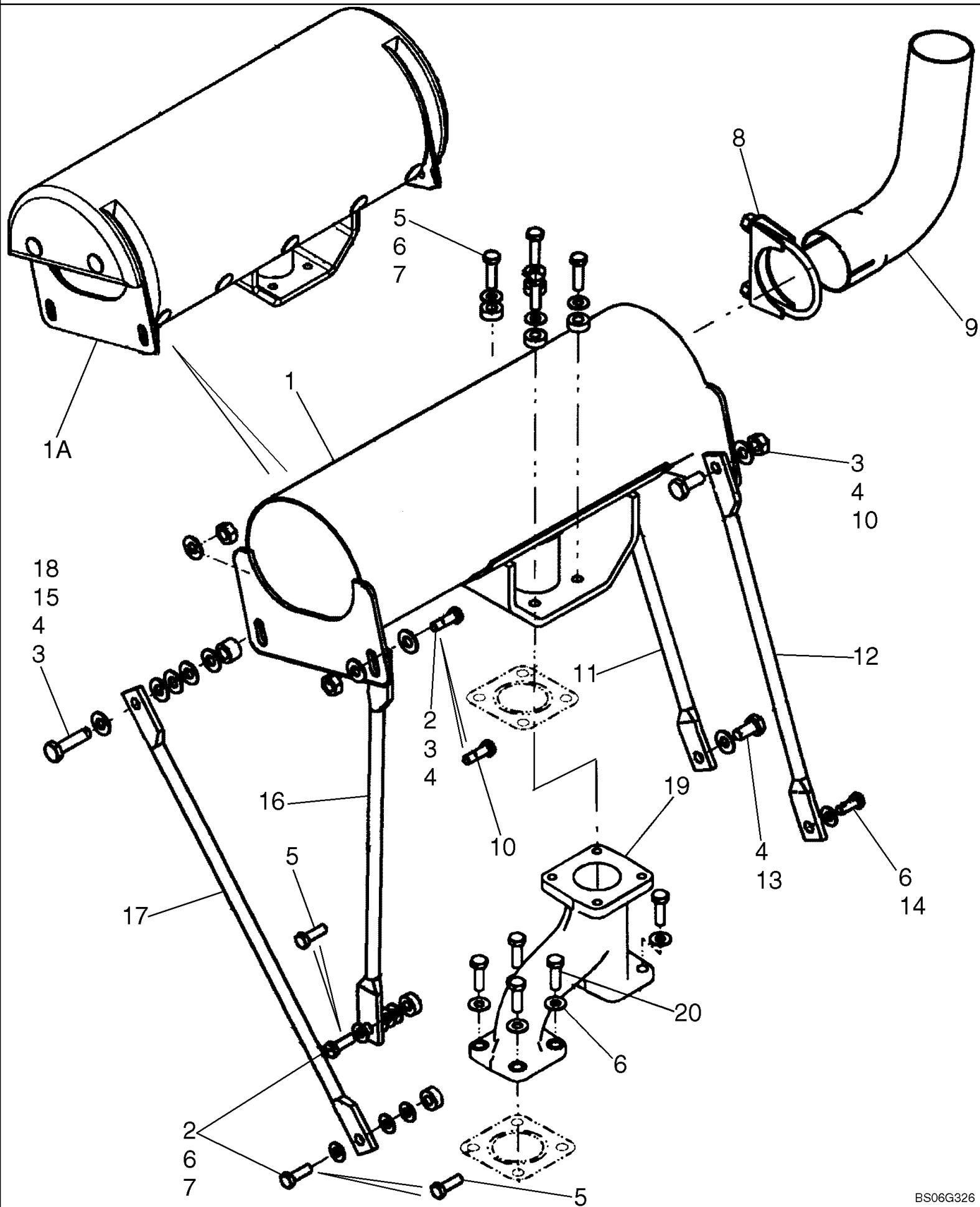
Ref	Part Number	Qty	Description
1	SBA145306740	1	FAN,
2	9860094	1	SPACER, Fan
3	322357	4	WASHER, SPRING, Belleville, M6,
4	80120101	4	SCREW, M6 x 30
5	87052892	1	SHROUD,
6	86508748	4	BOLT, CARRIAGE, Short NK, 3/8"-16 x 3/4", G5, Full Thd,
7	120104	7	SCREW, Hex, M8 x 20, 8.8,
8	322358	7	WASHER, SPRING, Belleville, M8,
9	86624184	3	WASHER, M8 x 16 x 1.6,
10	87018958	1	GUARD, Fan
11	REF	1	INSTRUCTION, See Figure 06-01, Oil Cooler
12	SBA145337030	1	PULLEY, European Models
13	86977789	1	SCREW, Hex, M6 x 35, 8.8, Replaces Existing High Idle Screw And Jam Nut On Injection Pump
14	86511444	1	NUT, M6, Flg Ser,



## 410 SKID STEER (2/05- )

## 02-03 EXHAUST SYSTEM, IF USED (SEE REF 5, 8)

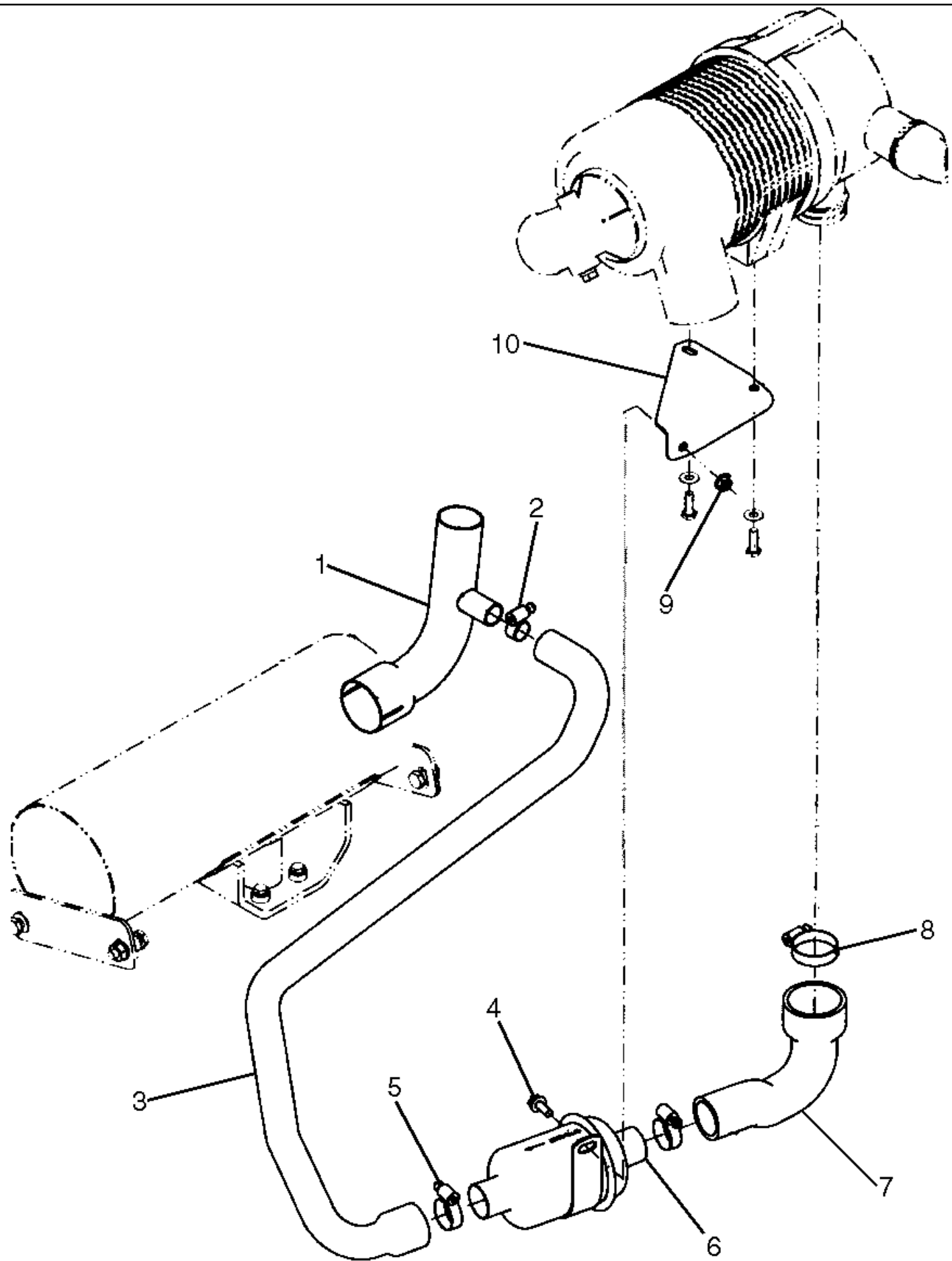
Ref	Part Number	Qty	Description
1	87037372	1	MUFFLER,
1A	87462107	1	MUFFLER, Replaces 87037372
2	43139	3	SCREW, Hex, M10 x 25, 8.8, Full Thd
3	140045	7	WASHER, SPRING, Belleville, M10,
4	825-1410	4	NUT, M10, CI 8,
5	87046586	1	ROD, Muffler Support; 388 mm; Center To Center of Holes; Replaced by 87356847 (452 mm Center To Center of Holes), See Figure 02-03A, Ref 17
6	120104	3	SCREW, Hex, M8 x 20, 8.8,
7	322358	15	WASHER, SPRING, Belleville, M8,
8	87046585	1	ROD, Muffler Support; 322.5 mm; Center To Center of Holes; Replaced by 87356846 (393.3 mm Center To Center of Holes), See Figure 02-03A, Ref 16
9	120068	1	SCREW, Hex, M10 x 40, 8.8, Full Thd,
10	87042897	1	SPACER,
11	86633393	4	SPACER,
12	614-8030	4	BOLT, Hex, M8 x 30, 8.8,
13	REF	1	INSTRUCTION, Gasket, Muffler, Supplied With Engine
14	87046588	1	ROD, Muffler Support
15	43138	1	SCREW, Hex, M10 x 20, 8.8, Full Thd,
16	87046587	1	ROD, Muffler Support
17	A13240	1	CLAMP, 1-5/16 Radius
17	87461995	1	CLAMP, 34 mm Radius; Replaces A13240
18	87045237	1	TUBE, Exhaust
19	43127	6	BOLT, Hex, M8 x 25, 8.8,
20	86614557	1	MANIFOLD, Exhaust



## 410 SKID STEER (2/05- )

## 02-03A EXHAUST SYSTEM, IF USED (SEE REF 16, 17)

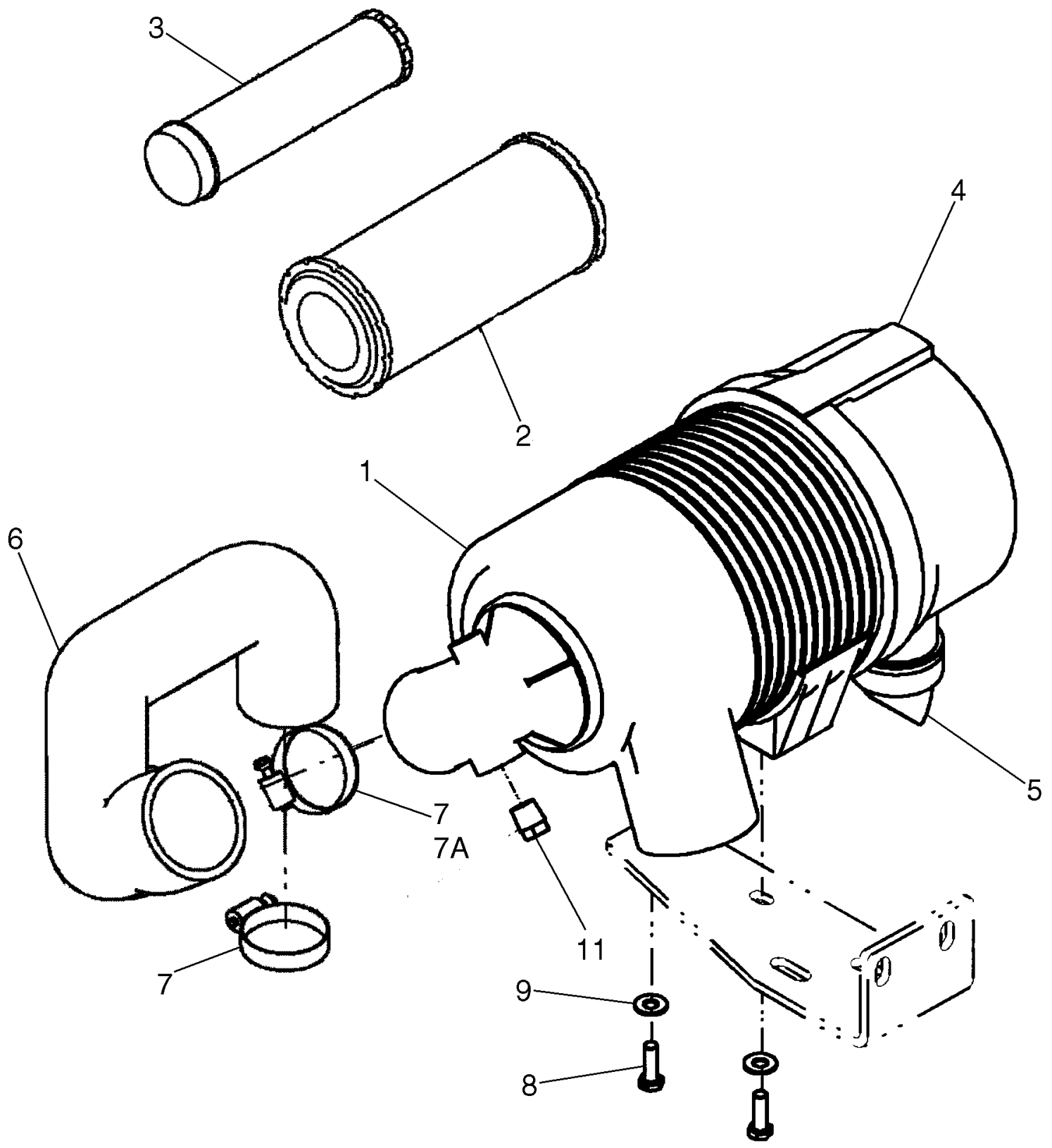
Ref	Part Number	Qty	Description
1	87462107	1	MUFFLER,
1A	87356837	1	GUARD, Muffler And Wrap Assy; European Models, If Used; Incl. 87356487 Wrap, 87462107 Muffler; Not Illustrated Separately
	87356487	1	GUARD, Muffler Wrap
	87462107	1	MUFFLER, Muffler
2	43127	6	BOLT, Hex, M8 x 25, 8.8, No Longer Used
3	100016	4	NUT, M10, CI 8,
4	140045	11	WASHER, SPRING, Belleville, M10,
5	43128	6	SCREW, Hex, M8 x 30, 8.8, Replaces (2) 43127 Bolt
6	322358	18	WASHER, SPRING, Belleville, M8,
7	86633393	6	SPACER,
8	87461995	1	CLAMP, Muffler
9	87045237	1	TUBE, Exhaust
10	43139	3	SCREW, Hex, M10 x 25, 8.8, Full Thd
11	87046588	1	ROD, Muffler Support
12	87046587	1	ROD, Muffler Support
13	43138	1	SCREW, Hex, M10 x 20, 8.8, Full Thd,
14	120104	1	SCREW, Hex, M8 x 20, 8.8,
15	87042897	1	SPACER,
16	87356846	1	ROD, MOUNTING, Muffler Support; 393.3 mm; Center To Center of Holes; Replaces 8704658 (322.5 mm Center To Center of Holes), See Figure 02-03, Ref 8
17	87356847	1	ROD, MOUNTING, Muffler Support; 452 mm; Center To Center of Holes; Replaces 87046586 (388 mm Center To Center of Holes), See Figure 02-03, Ref 5
18	120068	1	SCREW, Hex, M10 x 40, 8.8, Full Thd, No Longer Used
18	43249	1	SCREW, Hex, M10 x 50, 10.9, Replaces 120068 Screw
19	86614557	1	MANIFOLD, Exhaust
20	43127	6	BOLT, Hex, M8 x 25, 8.8,
21	322358	6	WASHER, SPRING, Belleville, M8,



410 SKID STEER (2/05- )

02-03B EXHAUST SYSTEM, ASPIRATOR

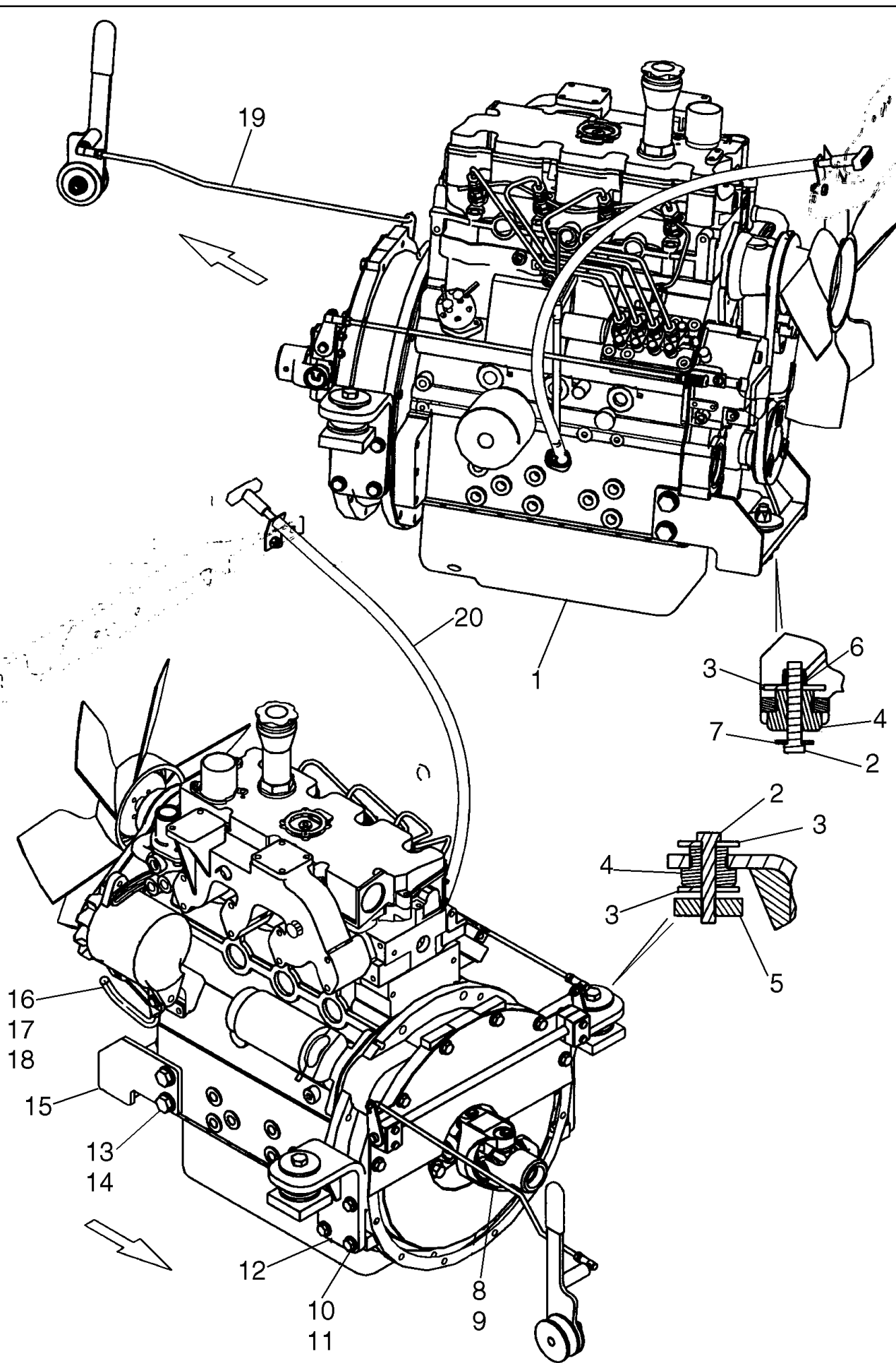
Ref	Part Number	Qty	Description
1	87052642	1	TUBE, Exhaust
2	214-1420	1	CLAMP, HOSE, #20, 0.81/1.75 Type F Worm,
3	87056169	1	HOSE,
4	9804258	1	BOLT, Hex Flg, M8 x 20, 8.8,
5	214-1428	2	CLAMP, HOSE, #28, 1.31/2.25 Type F Worm,
6	406089A2	1	VALVE, Aspirator Check
7	87056123	1	HOSE,
8	214-1436	1	CLAMP, HOSE, #36, 1.81/2.75 Type F Worm,
9	86505868	1	NUT, LOCK, M8, Flg Ser,
10	87056125	1	ANGLE,



## 410 SKID STEER (2/05- )

## 02-04 AIR CLEANER - ENGINE

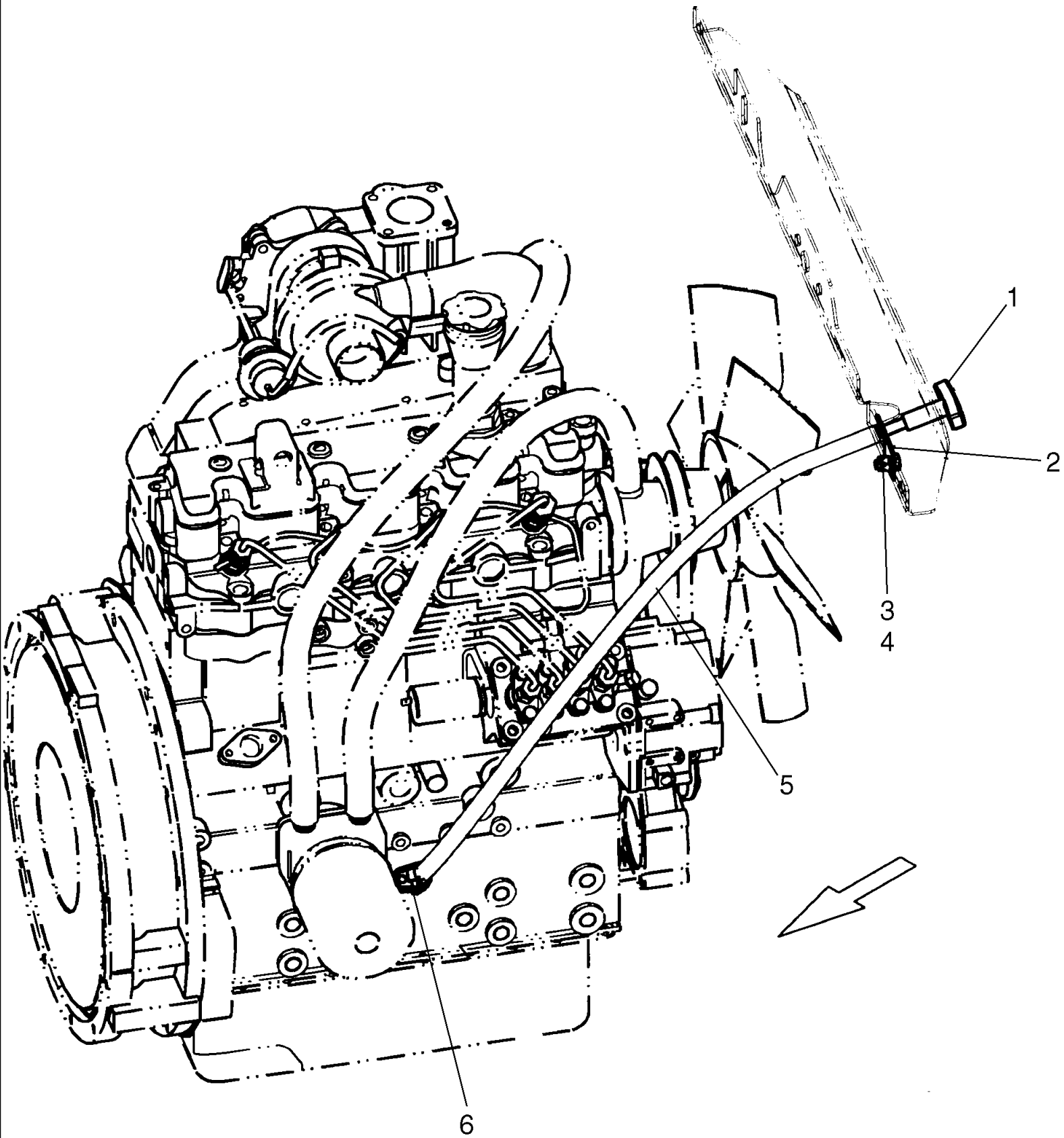
Ref	Part Number	Qty	Description
	87041485	1	CLEANER ASSY., Incl. 1 - 5
1	87041842	1	AIR CLEANER, Body
2	222425A1	1	ELEMENT, Primary
3	222429A1	1	ELEMENT, Secondary
4	440831A1	1	COVER, FILTER, Incl. 4A
4A	86990981	1	TAB, LOCKING, Not Illustrated Separately
5	A184597	1	POPPET, VALVE,
6	87435414	1	HOSE, Air Cleaner Outlet
7	45014	1-2	CLAMP, HOSE, #40, 2.06/3.00 Type F Worm,
7A	86625032	1	CLAMP, HOSE, #48, 2.56/3.50 Type F Worm,
8	43127	2	BOLT, Hex, M8 x 25, 8.8,
9	86625263	2	WASHER, M8 x 20 x 1.6,



## 410 SKID STEER (2/05- )

## 02-05 ENGINE - MOUNTING

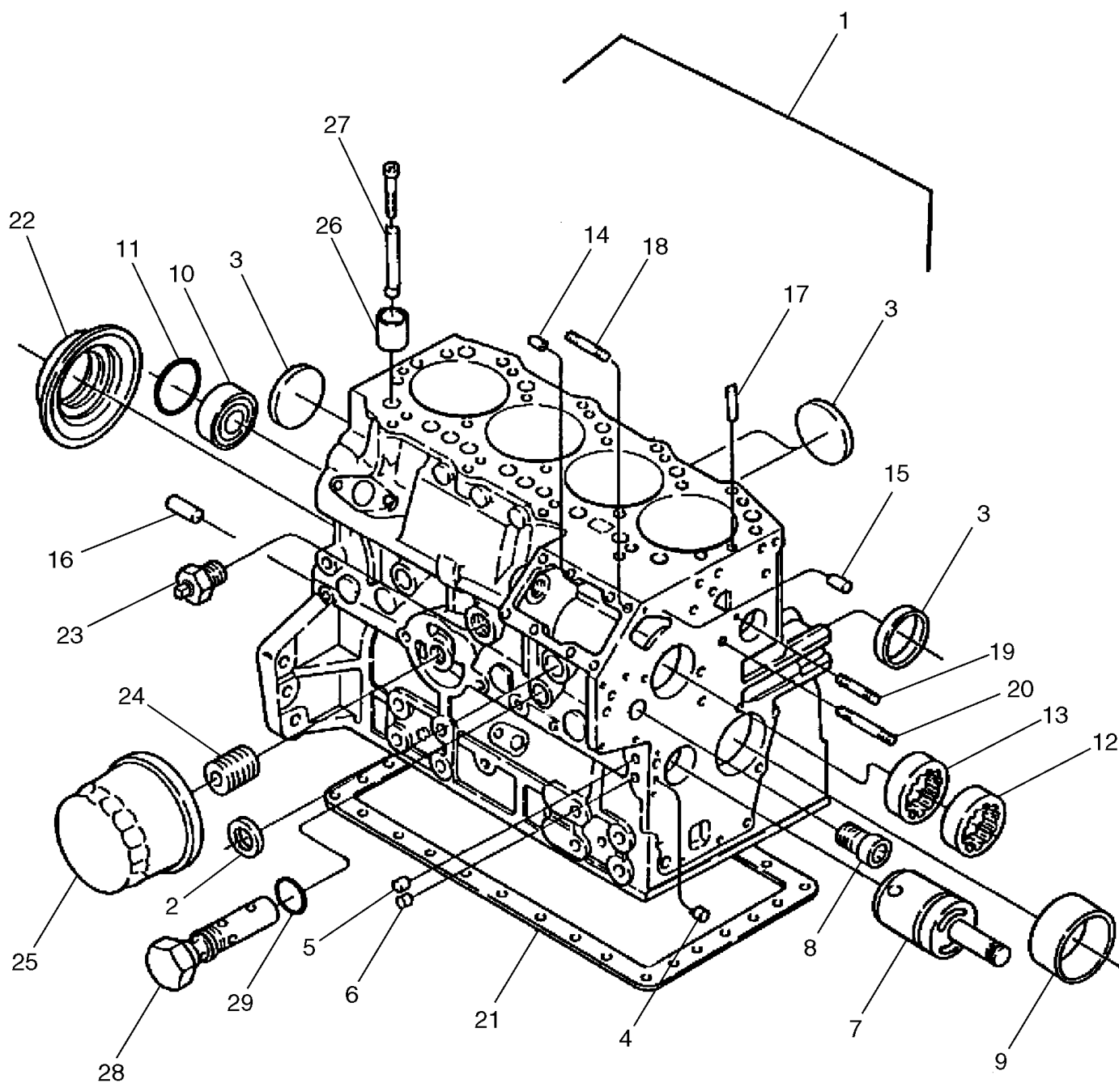
Ref	Part Number	Qty	Description
1	87043514	1	ENGINE,
1A	SBA133695	1	ENGINE, Long Block Service Engine; Engine Does Not Include Flywheel, Starter, Flywheel Housing, Cooling Fan, Fan Belt, Fan Pulley, Alternator or Mounting Parts, Exhaust Manifold or Gasket
2	87339	3	BOLT, Hex, 1/2"-13 x 3", G5,
3	495-81239	5	WASHER, 17/32" x 2 1/4" x .180",
4	D137185	3	MOUNTING PARTS,
5	87441050	2	PLATE, Nut
6	88871	1	NUT, LOCK, 1/2"-13, GC,
7	80700	1	WASHER, 1/2",
8	9804266	4	BOLT, Hex Flg, M12 x 25, 8.8,
9	87446892	1	JOINT ASSY., Pump Drive
10	496-21041	8	WASHER, 13/32" x 13/16" x .089", HDN,
11	88011	8	BOLT, Hex, 3/8"-16 x 1 1/4", G5, Full Thd,
12	87438293	2	BRACKET, Front Engine Mount
13	87016615	4	WASHER, M12 x 28.5 x 3, HT,
14	11422321	4	SCREW, Hex, M14 x 1.5 x 30, 8.8, Full Thd,
15	87438289	1	MOUNT, ENGINE, Rear Engine Mount
16	322358	2	WASHER, SPRING, Belleville, M8,
17	120104	2	SCREW, Hex, M8 x 20, 8.8,
18	86550180	1	SUPPORT, Rod
19	REF		INSTRUCTION, Throttle; See Figure 03-02
20	REF		INSTRUCTION, Dipstick Assy; See Figure 02-06



410 SKID STEER (2/05- )

02-06 OIL FILL, ENGINE

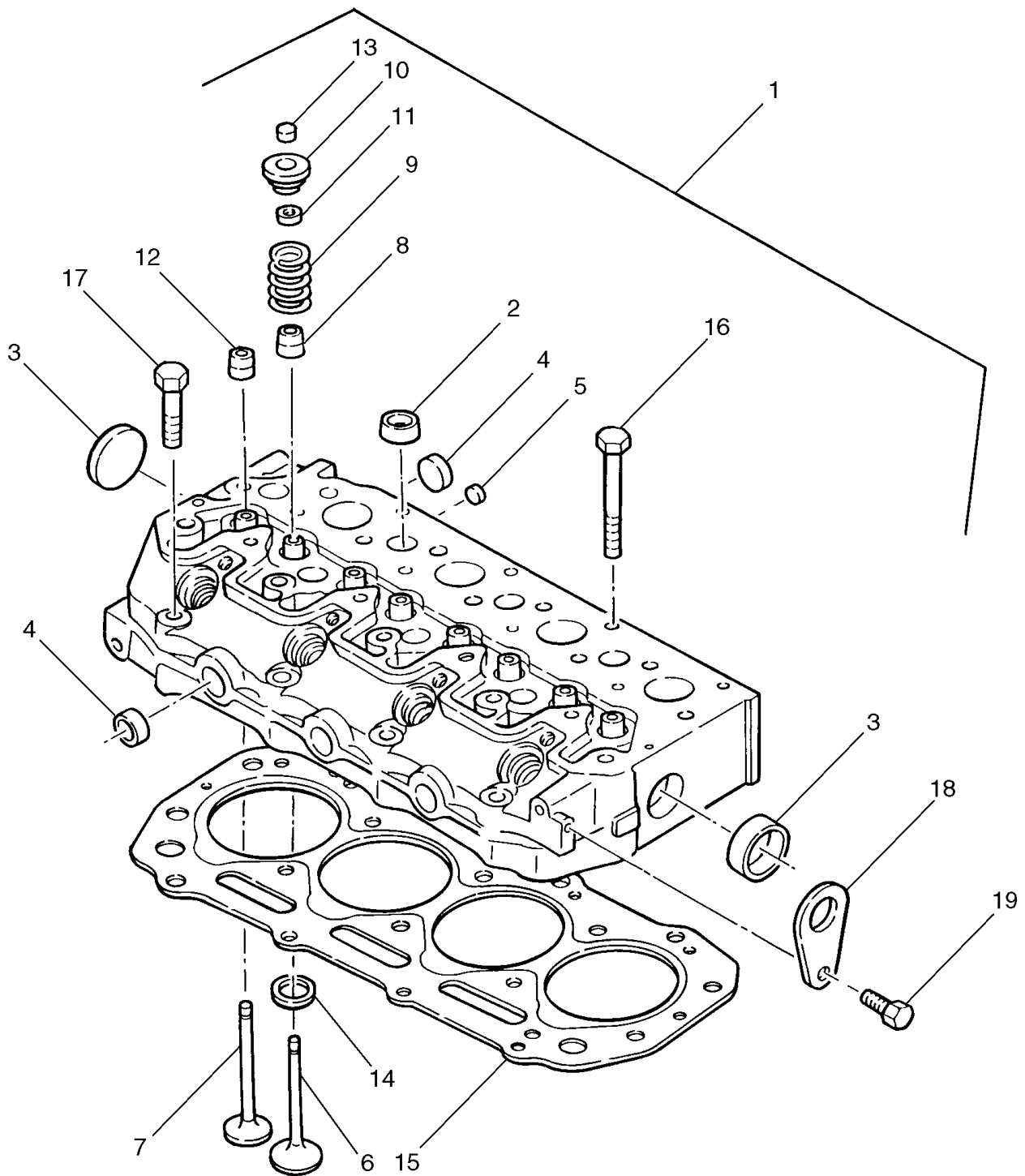
Ref	Part Number	Qty	Description
1	87454493	1	DIPSTICK, If Used
1	87344599	1	DIPSTICK, With Steel Ball Tip; If Used
2	86556982	1	TUBE,
3	832-41408	1	NUT, LOCK, M8 x 1.25, CI 10,
4	120103	1	SCREW, Hex, M8 x 16, 8.8,
5	87454494	1	HOSE,
6	214-1704	1	CLAMP, HOSE, #4, 0.25/0.62 Type M Worm,



410 SKID STEER (2/05- )

02-07 CYLINDER BLOCK - OIL FILTER

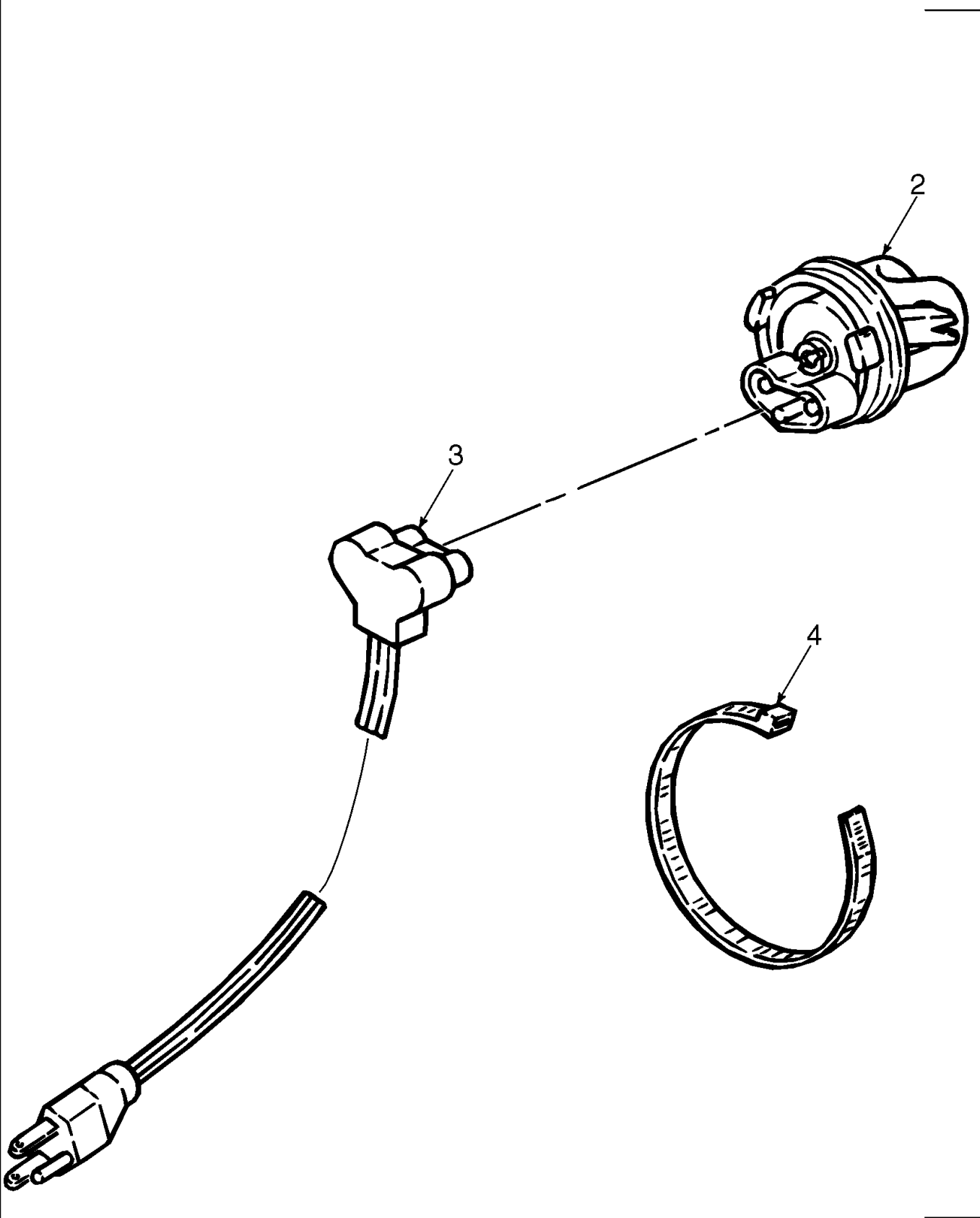
Ref	Part Number	Qty	Description
	SBA133688	1	ENGINE, Engine
1	NSS	1	NOT SERVICED SEPARATELY, Cylinder Block
2	SBA064210025	2	PLUG,
3	SBA064210040	5	CAP,
4	SBA198466010	3	PLUG, 8.4mm
5	SBA198466020	2	PLUG, 10.4mm
6	SBA198466030	4	PLUG, 6.5 x 7mm
7	SBA165296132	1	SHAFT, Idler Gear
8	SBA198517090	1	BUSHING,
9	SBA198517221	1	BUSHING,
10	SBA040106203	1	BEARING, BALL,
11	SBA064100045	1	PLUG, Expansion
12	SBA042309018	1	BEARING, NEEDLE, Needle
13	SBA042309017	1	BEARING, NEEDLE, Needle
14	SBA030500612	2	PIN, Dowel
15	SBA030500616	2	PIN, Dowel
16	SBA030501025	2	PIN, Dowel
17	SBA030309005	2	PIN, Spring
18	SBA012100820	3	STUD,
19	SBA012110660	1	BOLT,
20	SBA012110635	1	STUD,
21	SBA110996860	1	GASKET,
22	SBA050209083	1	SEAL,
23	SBA064500020	1	PLUG, Cock
24	SBA140546020	1	ADAPTER, Joint
25	SBA140517020	1	FILTER, ENGINE OIL,
26	SBA120116160	8	TAPPET,
27	SBA120456310	8	ROD, Push
28	SBA140036220	1	VALVE, PRESSURE RELIEF,
29	SBA052109113	1	O-RING,



410 SKID STEER (2/05- )

02-08 CYLINDER HEAD

Ref	Part Number	Qty	Description
1	SBA111017510	1	CYLINDER HEAD, Incl. Ref. 2 - 14
2	SBA064210018	7	PLUG, Sealing
3	SBA064210030	2	PLUG, Sealing
4	SBA064210025	5	PLUG, Sealing
5	SBA064210010	3	COVER, CAP, Sealing
6	SBA120166350	4	VALVE, ENGINE, INLET, STD,
7	SBA120176360	4	VALVE, ENG EXHAUST, STD,
8	SBA120406070	4	SEAL, Valve Guide, Intake
9	SBA198216700	8	SPRING,
10	SBA120186080	8	RETAINER,
11	SBA120226070	16	RETAINER, Cotter
12	SBA120406050	4	SEAL, Valve Guide, Exhaust
13	SBA120216040	8	CAP,
14	SBA110136400	4	VALVE SEAT, Intake
15	SBA111147581	1	GASKET, CYLINDER HEAD, 0.4 Thickness
15	SBA111147581	1	GASKET, CYLINDER HEAD, Replaces SBA111147580
15	SBA111147591	1	GASKET, CYLINDER HEAD, 0.5 Thickness
15	SBA111147591	1	GASKET, CYLINDER HEAD, Replaces SBA111147590
16	SBA111136480	14	BOLT, Head
17	SBA111136490	4	BOLT, Head
18	SBA195816540	2	EYE, LIFTING,
19	SBA011510816	2	BOLT, M8 x 16

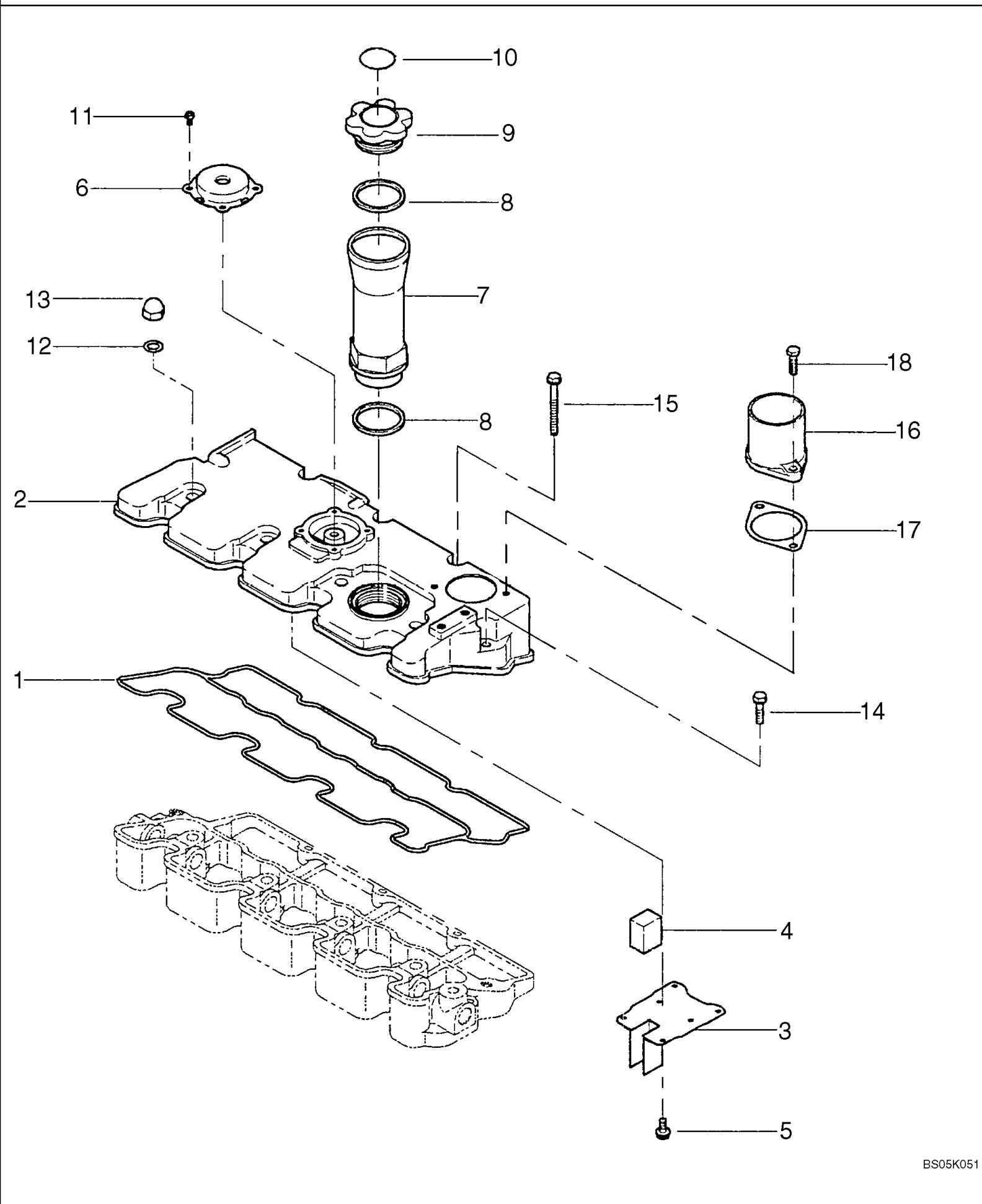


—1  
INCLUDES  
2 - 4

410 SKID STEER (2/05- )

02-08A ENGINE - BLOCK HEATER

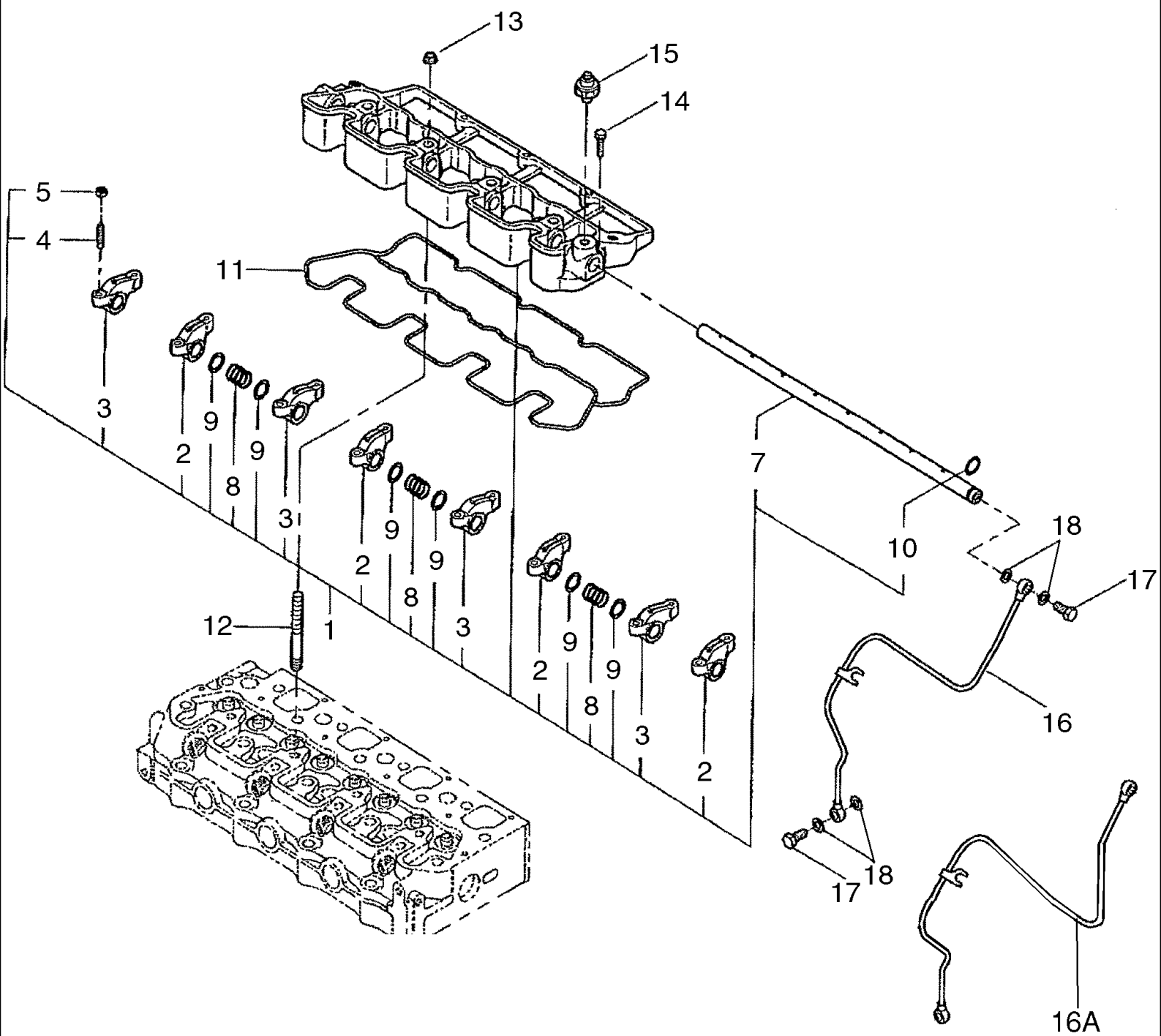
Ref	Part Number	Qty	Description
1	86590117	1	KIT, Block Heater, Incl. 2 - 4
2	NSS	1	NOT SERVICED SEPARATELY, Block Heater
3	86539137	1	CABLE, ELECTRIC,
4	263117	1	STRAP, CABLE,



410 SKID STEER (2/05- )

02-09 VALVE COVER

Ref	Part Number	Qty	Description
1	SBA111996401	1	GASKET,
2	SBA111217620	1	COVER, Head Cover
3	SBA110666210	1	COVER, Oil
4	SBA110666060	1	SCREEN, FILTER,
5	SBA015600406	6	SCREW,
6	SBA110566080	1	BREATHER, Breather
7	SBA110466031	1	PIPE,
8	SBA052100400	2	O-RING,
9	SBA198436010	1	CAP, FILLER,
10	SBA190297900	1	DECAL, Air Intake
11	SBA011100408	4	BOLT,
12	SBA140996270	4	GASKET,
13	SBA024600010	4	NUT, Cap
14	SBA011300640	2	BOLT,
15	SBA011300660	3	BOLT,
16	SBA135566470	1	TUBE, AIR INTAKE, Manifold
17	SBA135996950	1	GASKET, MANIFOLD,
18	SBA011300620	2	BOLT,



410 SKID STEER (2/05- )

02-10 ROCKER ARMS

Ref	Part Number	Qty	Description
1	SBA120036830	1	ROCKER ARM,
2	SBA120356131	4	ROCKER ARM, Intake, Complete
3	SBA120356141	4	ROCKER ARM, Exhaust, Complete
4	SBA199486220	8	SCREW, ADJUSTMENT,
5	SBA020109076	8	NUT,
7	SBA120316200	1	SHAFT, Rocker Arm
8	SBA198217170	3	SPRING,
9	SBA199280300	6	SHIM,
10	SBA052109076	1	O-RING,
11	SBA120996130	1	GASKET,
12	SBA012109044	4	STUD, Stud
13	SBA023100010	4	NUT,
14	SBA011310635	2	BOLT,
15	SBA185246060	1	SENDER UNIT, Oil Pressure Switch
16	SBA140607090	1	TUBE, If Used
16A	SBA140607020	1	TUBE, RIGID, If Used
17	SBA198486780	2	BOLT, BANJO, M8 x 1.25; If Used
17	SBA198487840	2	SCREW, M10 x 1.5; If Used
18	SBA140996260	4	GASKET,



**Suggest:**

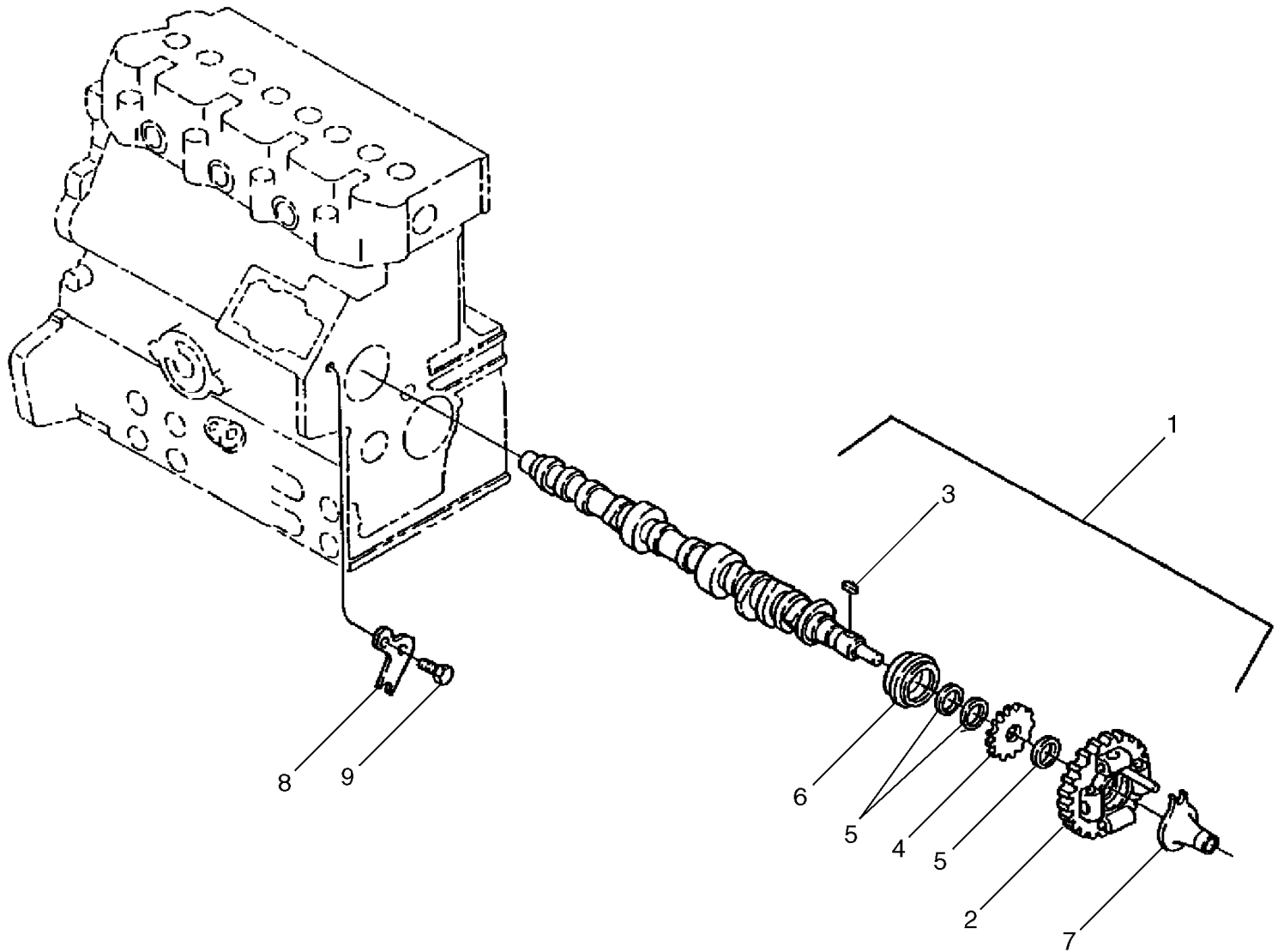
**If the above button click is invalid.**

**Please download this document**

**first, and then click the above link**

**to download the complete manual.**

**Thank you so much for reading**



**<https://www.ebooklibonline.com>**

Hello dear friend!

Thank you very much for reading.

Enter the link into your browser.

The full manual is available for immediate download.

**<https://www.ebooklibonline.com>**