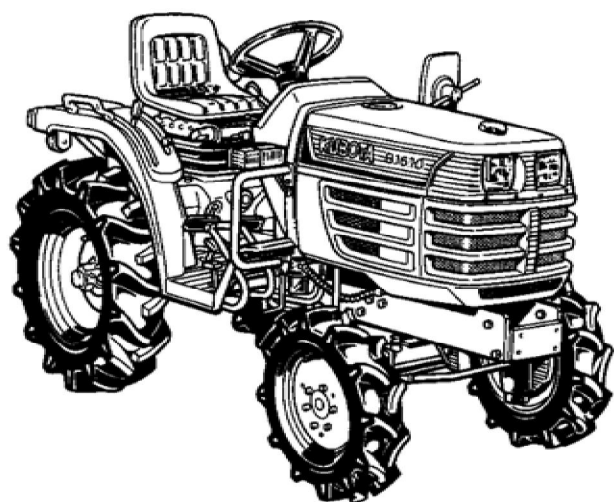


Update Date : 2019/10/18 Print Date : 2022/01/15







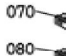
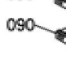









B1410






FUTB-036-10

Item	Capacity	Change Interval
Engine Oil	2.4L	after the first 50 hours of operation. Every 100 hours
Engine Oil Filter		after the first 50 hours of operation. Every 200 hours

ELECTRICAL PARTS

 010	 020	 030	 040	 050	 060
 070	 080	 090	 100	 110	 120
 130	 140	 150	 160	 170	






OIL / FUEL PARTS

 180	 190	 200			
--	--	--	--	--	--

BELT

 210					
--	--	--	--	--	--

OTHERS PARTS

 220	 230	 240	 250	 260	
--	--	--	--	--	--

Update Date : 2019/10/18 Print Date : 2022/01/15

No.	Part Number	Part Name (POL)	Part Name (ENG)	QTY	IC	Serial No./PIN	Kg	Remarks
010	6C040-55450	ANLASSERS CHALTER	SWITCH,STA RTER	1		<=70219	0.240	[FR]
010	6C040-55452	ANLASSERS CHALTER	SWITCH,STA RTER	1	>>	>=70220	0.220	[FR]
010	6C040-55450	ANLASSERS CHALTER	SWITCH,STA RTER	1		<=80015	0.240	[UK]
010	6C040-55452	ANLASSERS CHALTER	SWITCH,STA RTER	1	>>	>=80016	0.220	[UK]
010	6C040-55450	ANLASSERS CHALTER	SWITCH,STA RTER	1		<=60018	0.240	[G]
010	6C040-55452	ANLASSERS CHALTER	SWITCH,STA RTER	1	>>	>=60019	0.220	[G]
020	6C070-55430	WARNBLINKS CHALTER	SWITCH,HAZ ARD	1			0.019	
030	R2401-53272	SCHALTER / LICHT	SWITCH,POSI TION	1			0.020	
040	15248-63700	ZUENDSCHL UESSEL	KEY,STARTE R	2			0.034	
050	6C042-55422	KOMBINATIO NSCHALTER	SWITCH (COMBINATIO N)	1			0.090	
060	15531-73010	GRP.THERM OSTAT	ASSY THERMOSTA T	1			0.063	
070	36919-56650	AUTOSICHER UNG	FUSE	1			0.002	20A
080	48100-55880	AUTOSICHER UNG	FUSE,AUTO	3			0.010	10A
090	52200-41620	AUTOSICHER UNG	FUSE,AUTO	2			0.003	15A
100	1A024-39010	OELDRUCKS CHALTER	SWITCH(OIL)	1			0.035	
110	17478-60080	SICHERUNG	FUSE	1			0.008	50A
120	37500-33850	GLUEHBIRNE	VALVE	2			0.010	
130	00600-10025	GLUEHBIRNE	BULB	2			0.000	PRODUKTION FRANKREICH
140	00600-10030	GLUEHBIRNE	BULB	2			0.000	PRODUKTION FRANKREICH
150	00600-10025	GLUEHBIRNE	BULB	4			0.000	PRODUKTION FRANKREICH

Update Date : 2019/10/18 Print Date : 2022/01/15

No.	Part Number	Part Name (POL)	Part Name (ENG)	QTY	IC	Serial No./PIN	Kg	Remarks
160	00600-10030	GLUEHBIRNE	BULB	2			0.000	PRODUKTION FRANKREICH
170	36200-75830	GLUEHBIRNE	BULB,LAMP	3			0.015	12V-10W
180	15853-32430	OELFILTERP ATRONE	FILTER,OIL	1			0.240	BESTELLEN SIE BITTE POS.180 NEUE TEILE
180	HH150-32430	OELFILTERP ATRONE	FILTER (CARTRIDGE, OIL)	1	>>		0.200	
190	6A320-59930	DRUCKFILTE R	FILTER	1			0.025	
200	67955-37710	OELFILTERP ATRONE	CARTRIDGE, OIL FILTER	1			0.390	BESTELLEN SIE BITTE POS.200 NEUE TEILE
200	HH670-37710	OELFILTERP ATRONE	FILTER (OIL,CARTRID GE)	1	>>		0.370	
210	15881-97010	KEILRIEMEN	V BELT	1			0.080	FM34.5
220	17214-72020	KUEHLERVE RSCHLUSS	CAP,ASSY (RADIATOR)	1			0.050	
230	6C090-58630	SCHLAUCH	HOSE,WATE R	1			0.090	
240	6C090-58570	SCHLAUCH	HOSE,WATE R	1			0.140	
250	6A100-82630	FILTEREINSA TZ	ELEMENT,AS SY	1		>=72322	0.300	(FR) BESTELLEN SIE BITTE POS.090 NEUE TEILE
250	6C060-99410	ELEMENT,KO MP.	ASSY ELEMENT	1	>>	>=72323	0.240	[FR]
250	6A100-82630	FILTEREINSA TZ	ELEMENT,AS SY	1		<=80253	0.300	(UK) BESTELLEN SIE BITTE POS.090 NEUE TEILE
250	6C060-99410	ELEMENT,KO MP.	ASSY ELEMENT	1	>>	>=80254	0.240	[UK]
250	6A100-82630	FILTEREINSA TZ	ELEMENT,AS SY	1		<=60751	0.300	(G) BESTELLEN SIE BITTE POS.090 NEUE TEILE
250	6C060-99410	ELEMENT,KO MP.	ASSY ELEMENT	1	>>	>=60752	0.240	[G]

<https://www.ebooklibonline.com>

Hello dear friend!

Thank you very much for reading.

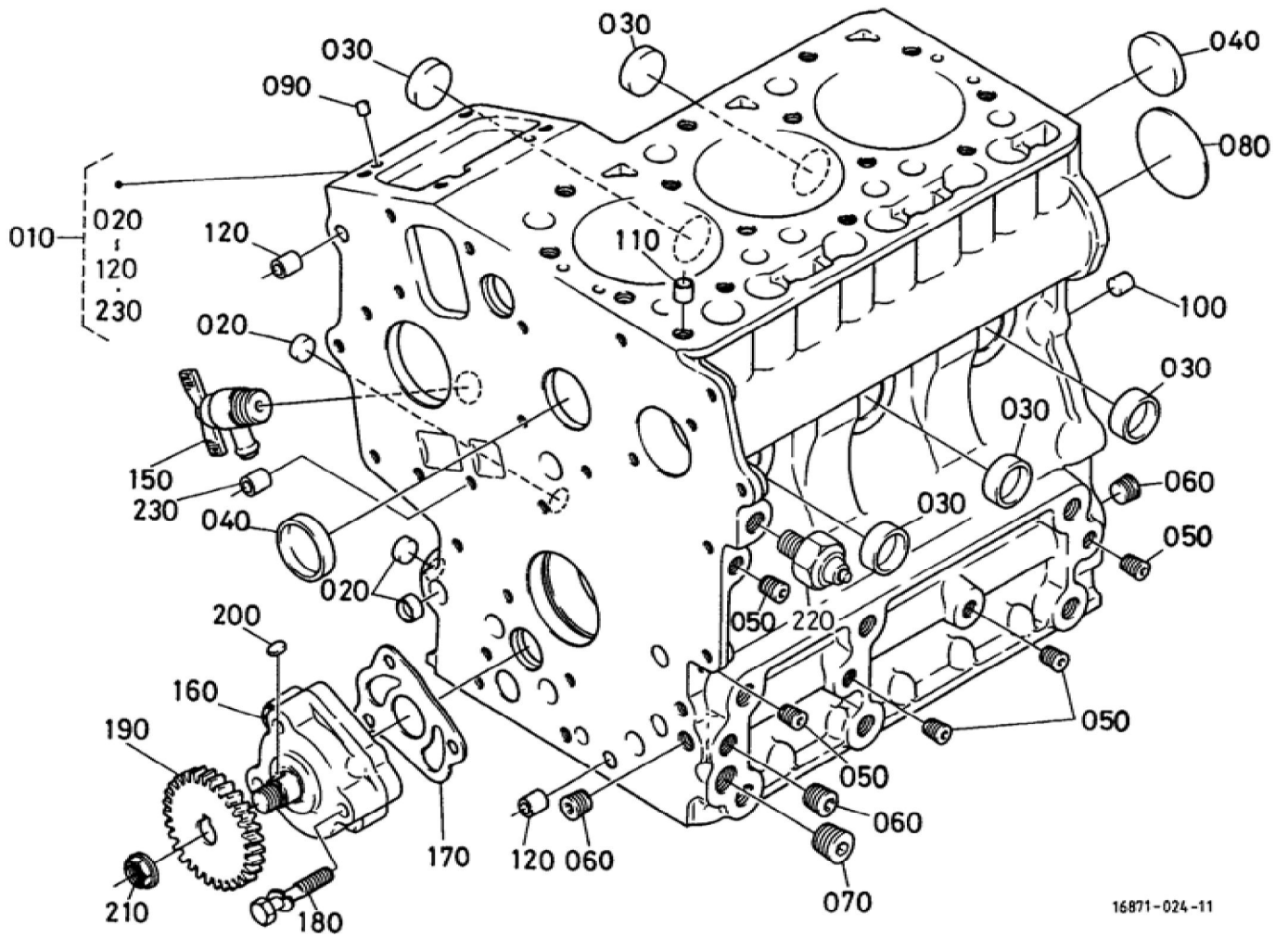
Enter the link into your browser.

The full manual is available for immediate download.

<https://www.ebooklibonline.com>

Update Date : 2019/10/18 Print Date : 2022/01/15

No.	Part Number	Part Name (POL)	Part Name (ENG)	QTY	IC	Serial No./PIN	Kg	Remarks
260	6C090-58400	AUSPUFF KOMP.	COMP.MUFFL ER	1			2.100	



16871-024-11

BKIDA0033 >> B1410 >> MOTOR / ENGINE >> 000100 KURBELGEHAEUSE / CRANK CASE

Update Date : 2019/10/18 Print Date : 2022/01/15

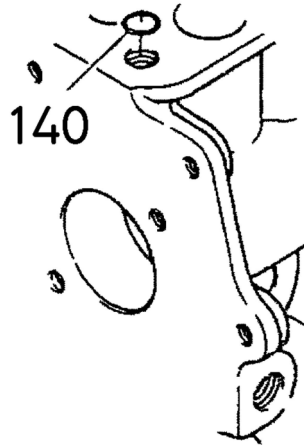
No.	Part Number	Part Name (POL)	Part Name (ENG)	QTY	IC	Serial No./PIN	Kg	Remarks
010	16865-01012	KOMP.KURBELGEHAEUSE	COMP.CRANKCASE	1		<=3S8996	22.600	
010	16865-01016	KOMP.KURBELGEHAEUSE	COMP.CRANKCASE	1	>>	>=3U0001	22.600	
010	16865-01017	KOMP.KURBELGEHAEUSE	COMP.CRANKCASE	1	>>	>=4A0001	22.600	
010	16865-01018	KOMP.KURBELGEHAEUSE	COMP.CRANKCASE	1	>>	>=4Q0001	22.600	
010	16865-01020	KOMP.KURBELGEHAEUSE	COMP.CRANKCASE	1	>>	>=5L0001	0.000	
010	16865-01023	KOMP.KURBELGEHAEUSE	COMP.CRANKCASE	1	>>	>=6Q0001	20.000	
010	16865-01024	KOMP.KURBELGEHAEUSE	COMP.CRANKCASE	1	NI	>=9C0001	20.000	
020	16851-96260	KAPPE	CAP,SEALING	3			0.005	
030	16851-96270	KAPPE	CAP,SEALING	5			0.005	
040	15451-96270	KAPPE	CAP,SEALING	2			0.010	
050	15261-96010	STOPFEN	PLUG	5			0.002	
060	15521-96020	STOPFEN	PLUG	3			0.003	
070	15521-96030	STOPFEN	PLUG	1			0.007	
080	15261-96160	STOPFEN	PLUG,EXPANSION	1			0.020	
090	05012-00508	ZYLINDERSTIFT	PIN,STRAIGHT	2			0.001	
100	05012-00814	ZYLINDERSTIFT	PIN,STRAIGHT	2			0.006	
110	15221-33650	ROHRSTIFT	PIN,PIPE	1			0.004	
120	15231-33960	ROHRSTIFT	PIN,PIPE	2			0.001	
150	15841-73020	GRP.ABLASSHAHN	COCK,ASSY (DRAIN)	1			0.030	
160	16851-35010	GRP.OELPUMPE	ASSY PUMP,OIL	1		<=2J7251	0.240	
160	16851-35012	GRP.OELPUMPE	PUMP,ASSY (OIL)	1	>>	>=2L0001	0.240	
170	16851-35152	DICHTUNG,OELPUMPE	GASKET,OIL PUMP NA	1			0.001	
180	15841-91050	BOLZEN	BOLT	3			0.010	

Update Date : 2019/10/18 Print Date : 2022/01/15

No.	Part Number	Part Name (POL)	Part Name (ENG)	QTY	IC	Serial No./PIN	Kg	Remarks
190	15841-35660	ZAHNRAD	GEAR(OIL PUMP DRIVE)	1			0.113	
200	05712-00408	KEIL	KEY,FEATHER	1			0.001	
210	02783-50100	MUTTER	NUT,FLANGE	1			0.010	
220	1A024-39010	OELDRUCKS CHALTER	SWITCH(OIL)	1			0.035	
230	17331-59190	ROHRSTIFT	PIN,PIPE	2		<=9BZ999	0.002	
230	15231-33960	ROHRSTIFT	PIN,PIPE	2	NI	>=9C0001	0.001	

Update Date : 2019/10/18 Print Date : 2022/01/15

OLD PART

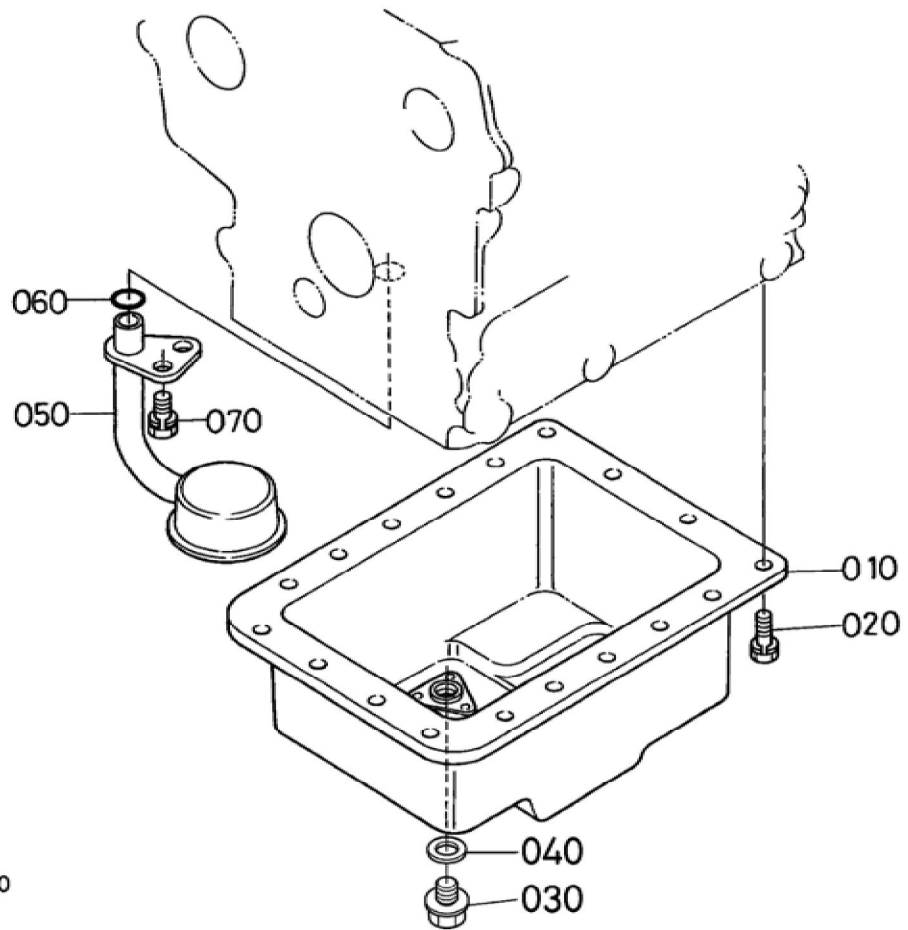


1G958-800-11

BKIDA0033 >> B1410 >> MOTOR / ENGINE >> 000100 KURBELGEHAEUSE / CRANK CASE

Update Date : 2019/10/18 Print Date : 2022/01/15

No.	Part Number	Part Name (POL)	Part Name (ENG)	QTY	IC	Serial No./PIN	Kg	Remarks
140	15221-33700	O RING	O RING	1		<=5T9999	0.001	



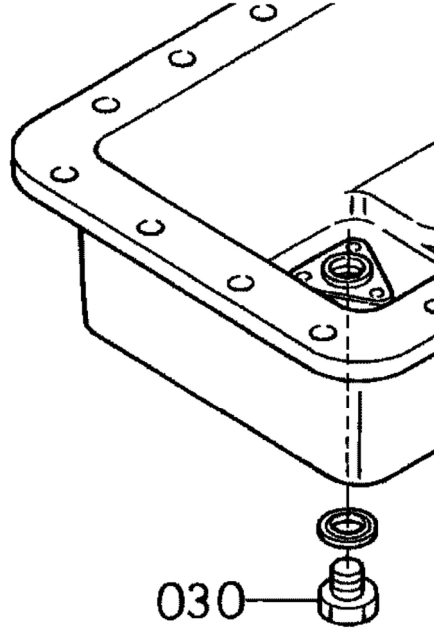
16815-003-10

BKIDA0033 >> B1410 >> MOTOR / ENGINE >> 000200 OL-FANGER / OIL PAN

Update Date : 2019/10/18 Print Date : 2022/01/15

No.	Part Number	Part Name (POL)	Part Name (ENG)	QTY	IC	Serial No./PIN	Kg	Remarks
010	6C090-58924	KOMP.OELW ANNE	COMP.OIL PAN	1			0.750	
020	01023-50612	BOLZEN	BOLT,SEMS	18		<=6X9999	0.005	
020	01023-50614	BOLZEN	BOLT,SEMS	18	NI	>=6Y0001	0.005	
030	15221-33750	STOPFEN	PLUG	1		<=4M2501	0.032	
030	16326-33750	ENTLEERUN GSSTOPFEN	PLUG(DRAIN)	1	=	>=4N0001	0.025	
030	13901-33750	ENTLEERUN GSSTOPFEN	PLUG,DRAIN	1	=	>=6Q0001	0.025	
040	6C090-58960	DICHTUNGSP LATTE	GASKET	1		<=5Z9999	0.005	
040	15862-96670	DICHTUNGSP LATTE	GASKET	1	>>	>=6A0001	0.001	
050	16813-32110	OELFILTER	FILTER,OIL	1			0.110	
060	04814-00160	O RING	O RING	1			0.001	
070	01123-50814	BOLZEN	BOLT,SEMS	1			0.010	

OLD PART

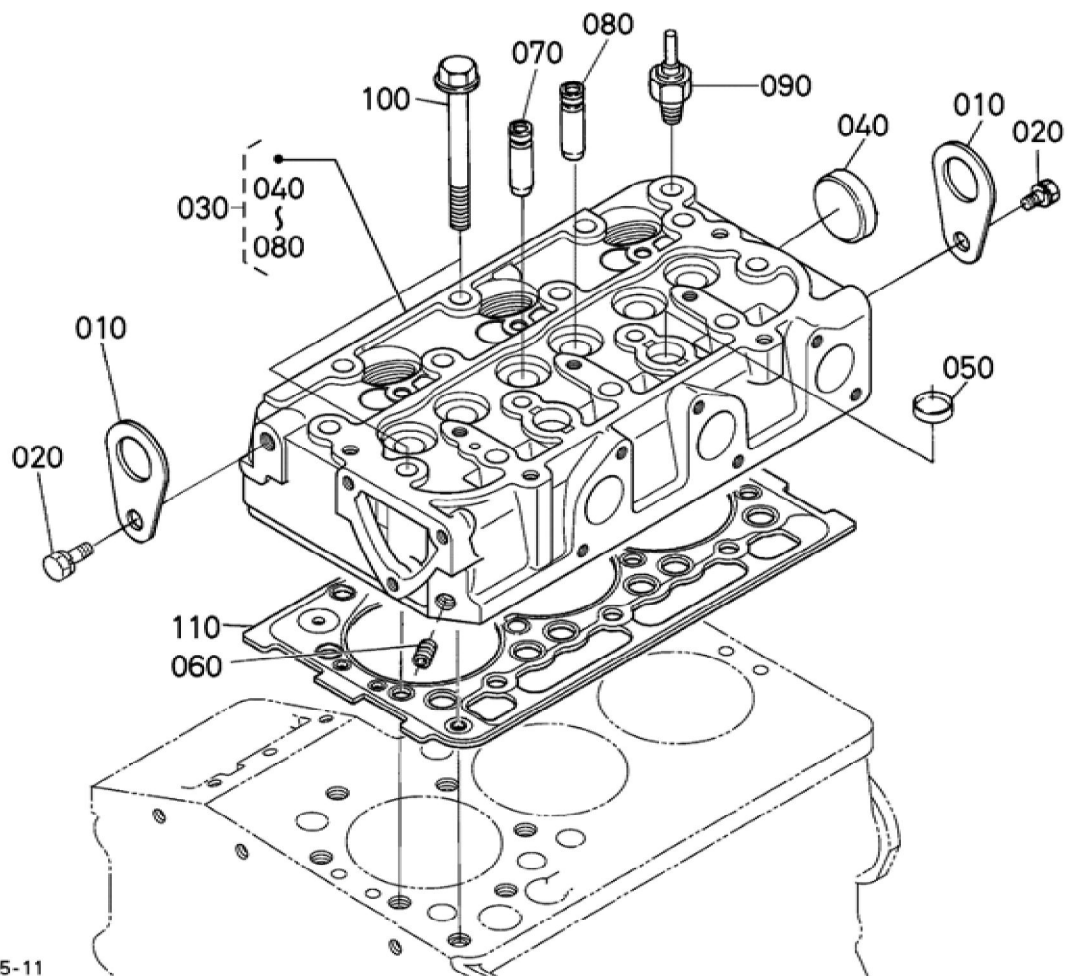


16815-803-10

Update Date : 2019/10/18 Print Date : 2022/01/15

No.	Part Number	Part Name (POL)	Part Name (ENG)	QTY	IC	Serial No./PIN	Kg	Remarks
030	15221-33750	STOPFEN	PLUG	1		<=4M2501	0.032	
030	16326-33750	ENTLEERUN GSSTOPFEN	PLUG(DRAIN)	1	=	>=4N0001	0.025	
030	13901-33750	ENTLEERUN GSSTOPFEN	PLUG,DRAIN	1	=	>=6Q0001	0.025	

Update Date : 2019/10/18 Print Date : 2022/01/15



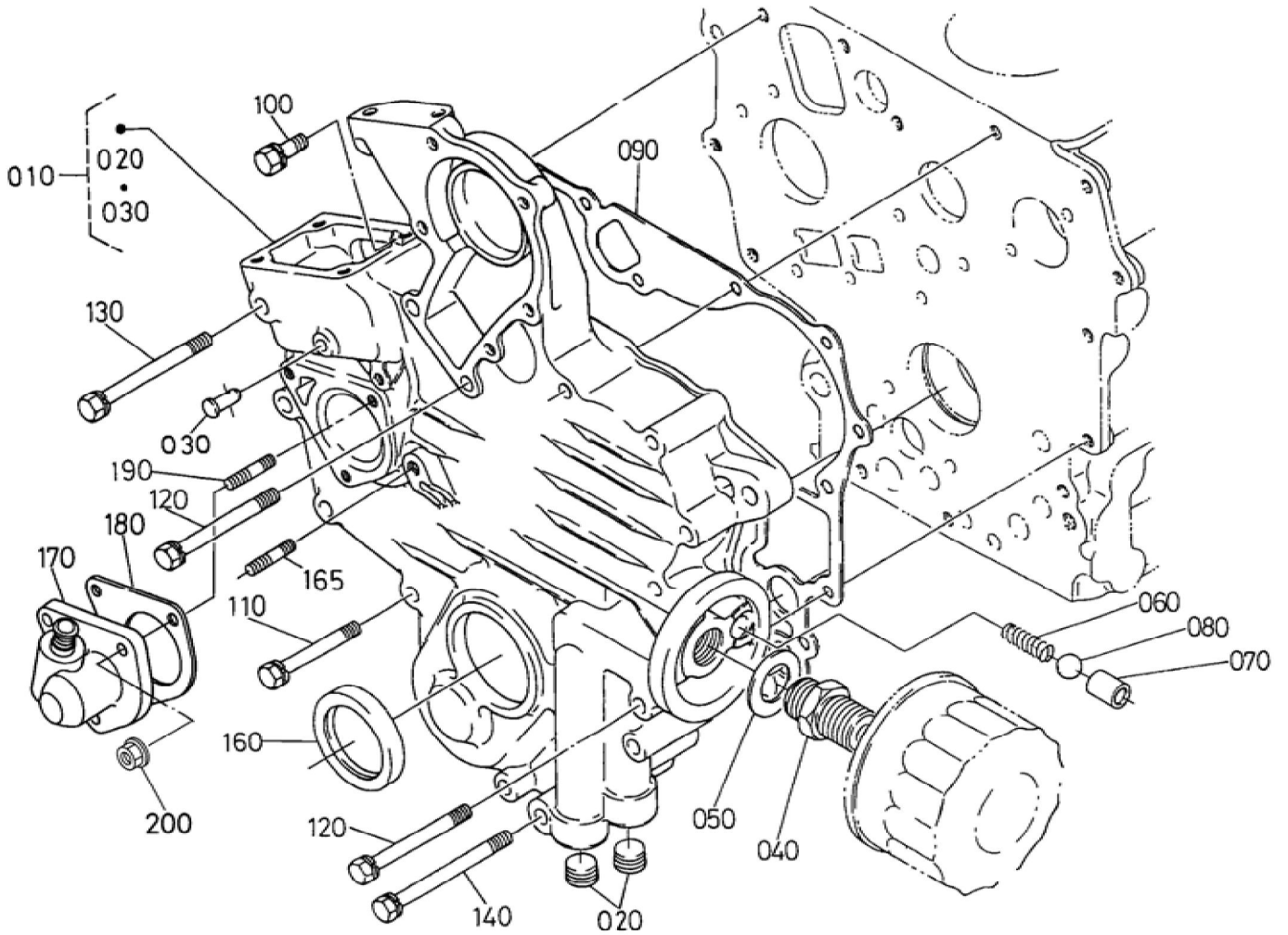
16871-005-11

BKIDA0033 >> B1410 >> MOTOR / ENGINE >> 000300 ZYLINDERKOPF / CYLINDER HEAD

Update Date : 2019/10/18 Print Date : 2022/01/15

No.	Part Number	Part Name (POL)	Part Name (ENG)	QTY	IC	Serial No./PIN	Kg	Remarks
010	15221-01750	MOTORHAKE N	HOOK,ENGIN E	2			0.040	
020	01123-50816	SCHRAUBE	BOLT,SEMS	2			0.011	
030	16862-03042	KOMP.ZYLIN DERKOPF	COMP.CYLIN DER HEAD	1		<=6P9999	7.350	
030	16673-03050	KOMP.ZYLIN DERKOPF	COMP.CYLIN DER HEAD	1	>>	>=6Q0001	7.120	
030	16673-03052	KOMP.ZYLIN DERKOPF	COMP.CYLIN DER HEAD	1	>>	>=9G0001	0.000	
030	16863-03049	KOMP.ZYLIN DERKOPF	COMP.CYLIN DER HEAD	1	=	>=9J0001	7.600	
040	15321-96260	KAPPE	CAP,SEALING	1			0.014	
050	15261-03370	STOEPSEL,A BDICHTUNG	CAP,SEALING	2			0.005	
060	15261-96010	STOPFEN	PLUG	1			0.002	
070	15841-13540	EINLASSVEN TILFUEHRUN G	GUIDE,VALVE (INLET)	3			0.014	
080	15841-13560	AUSLASSVEN TILFUEHRUN G	GUIDE (EXHAUST VALVE)	3			0.014	
090	31351-32830	TEMPERATU RGEBER	THERMO UNIT	1			0.020	
100	14601-03450	ZYLINDERKO PFSCHRAUB E	BOLT,HEAD (CYLINDER)	14			0.035	
110	16861-03310	ZYLINDERKO PFDICHTUNG	GASKET,CYLI NDER HEAD	1		<=7HZ999	0.083	
110	16861-03312	ZYLINDERKO PFDICHTUNG	GASKET,CYLI NDER HEAD	1	NI	>=7J0001	0.083	

Update Date : 2019/10/18 Print Date : 2022/01/15



19399-066-12

Update Date : 2019/10/18 Print Date : 2022/01/15

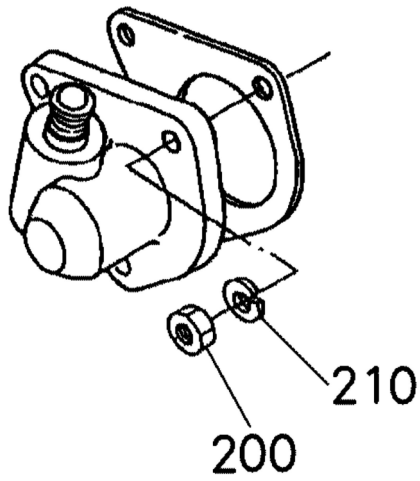
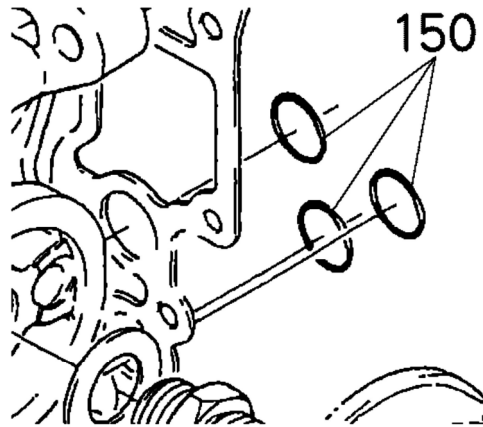
No.	Part Number	Part Name (POL)	Part Name (ENG)	QTY	IC	Serial No./PIN	Kg	Remarks
010	16689-04020	KMP.GETRIE BEGEHAEUS E	COMP.CASE, GEAR	1		<=6B9999	1.720	BEACHTEN SIE DEN HINWEIS
010	16808-04020	KMP.GETRIE BEGEHAEUS E	CASE,GEAR, COMP	1	NI	>=6C0001	1.720	
010	16808-04023	KMP.GETRIE BEGEHAEUS E	COMP.CASE, GEAR	1	NI	>=7W0001	1.720	
020	16851-96010	STOPFEN	PLUG	2		<=6B9999	0.015	
020	15521-96030	STOPFEN	PLUG	2	NI	>=6C0001	0.007	
030	15841-56280	STARTFEDER STIFT	PIN(START SPRING)	1			0.005	
040	15241-32290	VERBINDUNG SSTUECK	JOINT,PIPE	1			0.053	
050	15841-94010	SCHEIBE	WASHER,PLA IN	1			0.003	
060	16851-36950	FEDER	SPRING	1			0.020	
070	15841-36930	SITZ,VENTIL	SEAT,VALVE	1			0.003	
080	07715-03211	KUGEL	BALL	1			0.003	
090	15862-04132	DICHTUNG	GASKET (GEAR CASE NA)	1		<=7VZ999	0.007	
090	16871-04130	DICHTUNG	GASKET,GEA R CASE	1	NI	>=7W0001	0.080	
100	01023-50618	BOLZEN	BOLT,SEMS	1			0.006	
110	01023-50650	BOLZEN	BOLT,SEMS	8			0.012	
120	15841-91010	BOLZEN	BOLT	5			0.014	
130	01023-50670	BOLZEN	BOLT,SEMS	1			0.015	
140	01023-50675	BOLZEN	BOLT,SEMS	1			0.010	
160	15841-04140	OELDICHTUN GSRING	SEAL,OIL	1		<=YY8644	0.012	
160	15877-04140	OELDICHTUN GSRING	SEAL,OIL	1	>>	>=1A0001	0.011	
165	15841-91510	STEBOLZEN	STUD	1			0.007	
170	59360-25950	GRP.GETRIE BEGEHAEUS E	ASSY GEAR CASE,H/M	1			0.290	
180	19461-88132	DICHTUNG	GASKET,H/M GEAR CASE	1			0.002	
190	15221-88210	STEBOLZEN	BOLT,STUD	3			0.005	
200	02056-50060	MUTTER	HEX.NUT	3		<=8TZ999	0.002	

Update Date : 2019/10/18 Print Date : 2022/01/15

No.	Part Number	Part Name (POL)	Part Name (ENG)	QTY	IC	Serial No./PIN	Kg	Remarks
200	02751-50060	MUTTER	NUT,FLANGE	3	>>	>=8U0001	0.005	

Update Date : 2019/10/18 Print Date : 2022/01/15

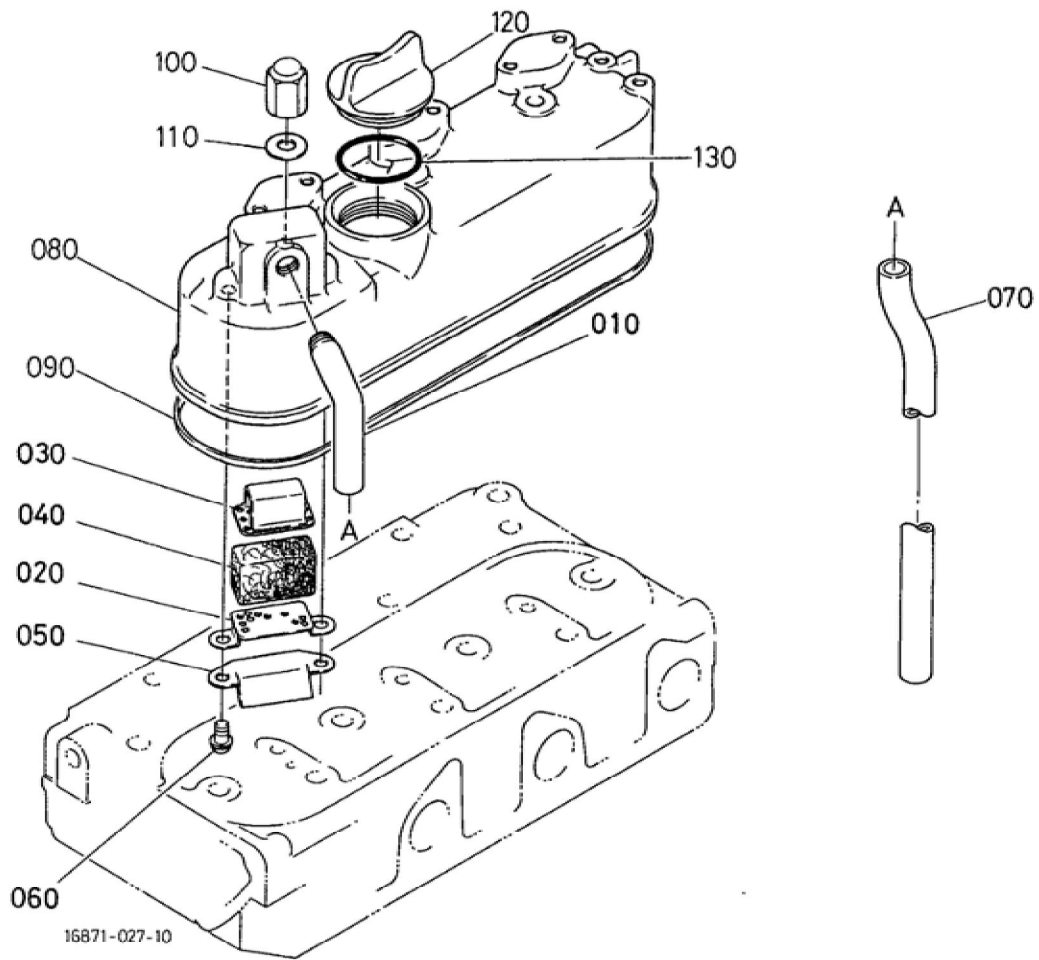
OLD PARTS



16892-801-11

Update Date : 2019/10/18 Print Date : 2022/01/15

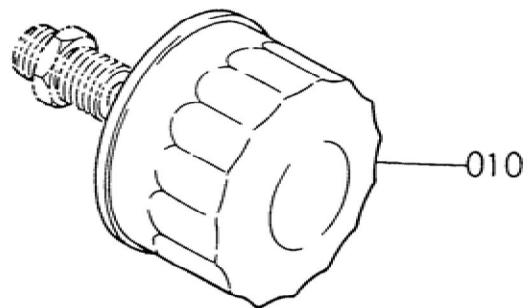
No.	Part Number	Part Name (POL)	Part Name (ENG)	QTY	IC	Serial No./PIN	Kg	Remarks
150	04814-06130	O RING	O-RING	3		<=7VZ999	0.001	
200	02056-50060	MUTTER	HEX.NUT	3		<=8TZ999	0.002	
200	02751-50060	MUTTER	NUT,FLANGE	3	>>	>=8U0001	0.005	
210	04512-50060	FEDERRING	WASHER,SP RING LOCK	3		<=8TZ999	0.001	



BKIDA0033 >> B1410 >> MOTOR / ENGINE >> 000500 VENTILDECKEL / HEAD COVER

Update Date : 2019/10/18 Print Date : 2022/01/15

No.	Part Number	Part Name (POL)	Part Name (ENG)	QTY	IC	Serial No./PIN	Kg	Remarks
010	15881-05550	ANSCHLUSS TUECK	JOINT,BREATH ER PIPE	1			0.010	
020	15841-05140	PLATTE,ELE MENT	PLATE,B/THE R ELEMENT	1			0.005	
030	15841-05150	PLATTE,ELE MENT	PLATE,B/THE R ELEMENT	1			0.005	
040	15841-05670	ENTLUEFTUN GSELEMENT	ELEMENT,BR EATHER	1			0.010	
050	15841-05370	OELSCHILD,E NTLUEFTER	OIL SHIELD,BREA THER	1			0.003	
060	16861-93310	SCHRAUBE	SCREW	2			0.001	
070	15841-05510	ENTLUEFTUN GSROHR	PIPE,BREATH ER	1			0.040	
080	16861-14513	VENTILDECK EL	COVER,HEAD ,ASSY (CYLINDER)	1			0.380	
090	16861-14522	VENTILDECK ELDICHTUNG	GASKET,HEA D COVER	1		<=3V9999	0.020	
090	16871-14520	VENTILDECK ELDICHTUNG	GASKET,HEA D COVER	1	=	>=3W0001	0.001	
100	15841-14620	MUTTER	NUT	3			0.006	
110	15601-96650	DICHTUNGSP LATTE	PACKING	3			0.001	
120	15852-33140	OELEINFUEL LSSTOPFEN	PLUG,OIL FILLER	1		<=2J7251	0.038	
120	E9151-33140	OELEINFUEL LSTOPFEN	PLUG(OIL FILLER)	1	=	>=2L0001	0.017	
130	04814-50300	O RING	O RING	1			0.001	

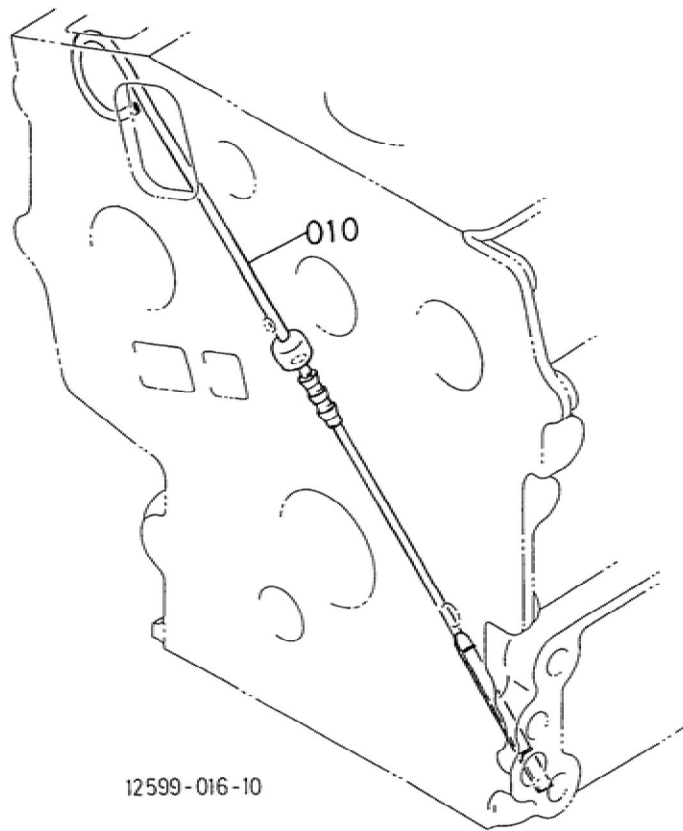


16682-043-10

Update Date : 2019/10/18 Print Date : 2022/01/15

No.	Part Number	Part Name (POL)	Part Name (ENG)	QTY	IC	Serial No./PIN	Kg	Remarks
010	15853-32430	OELFILTERP ATRONE	FILTER,OIL	1			0.240	BESTELLEN SIE BITTE POS.010 NEUE TEILE
010	HH150-32430	OELFILTERP ATRONE	FILTER (CARTRIDGE, OIL)	1	>>		0.200	

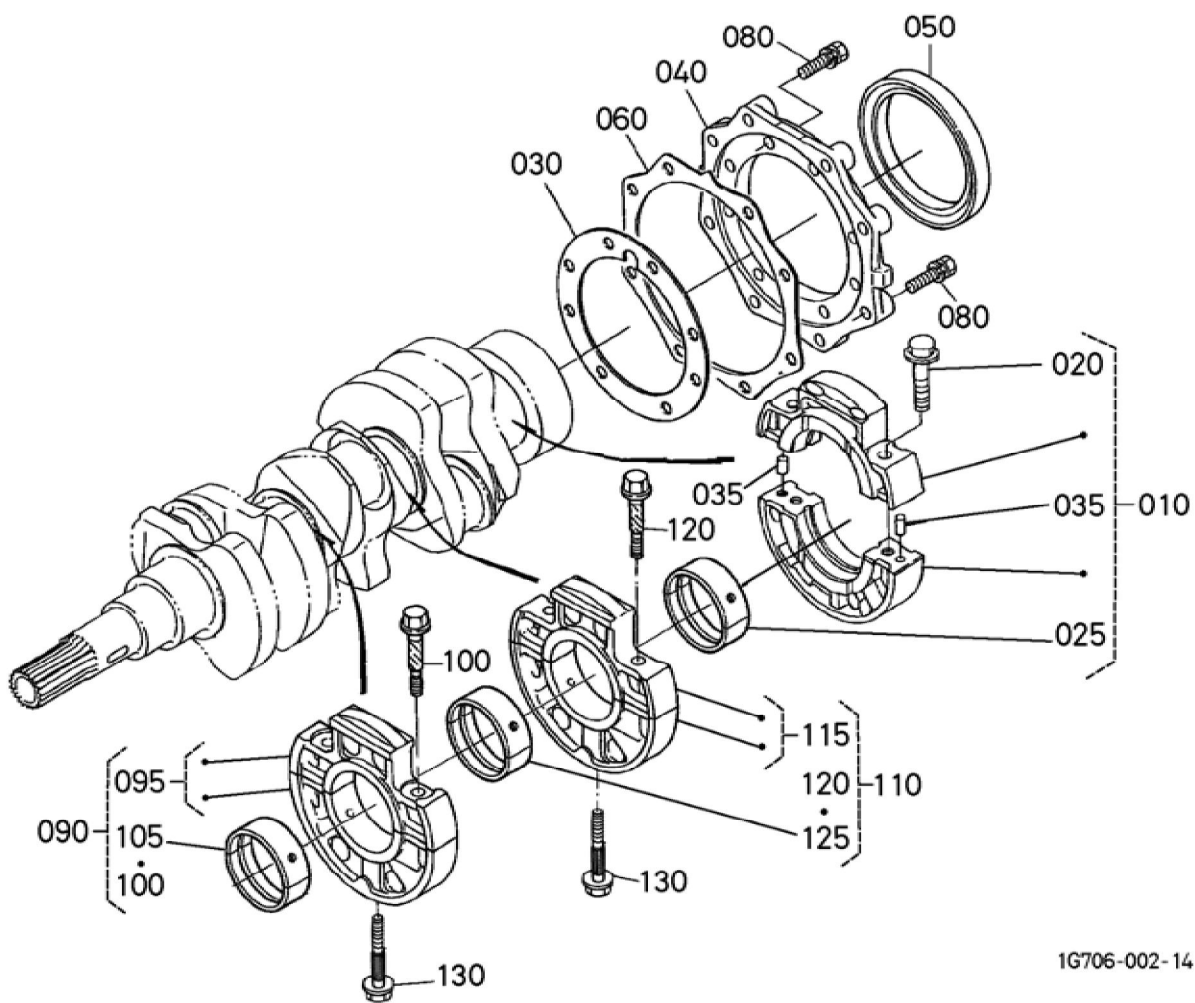
Update Date : 2019/10/18 Print Date : 2022/01/15



Update Date : 2019/10/18 Print Date : 2022/01/15

No.	Part Number	Part Name (POL)	Part Name (ENG)	QTY	IC	Serial No./PIN	Kg	Remarks
010	16853-36410	OELMESSSTAB AB	GAUGE,OIL	1			0.040	

Update Date : 2019/10/18 Print Date : 2022/01/15



1G706-002-14

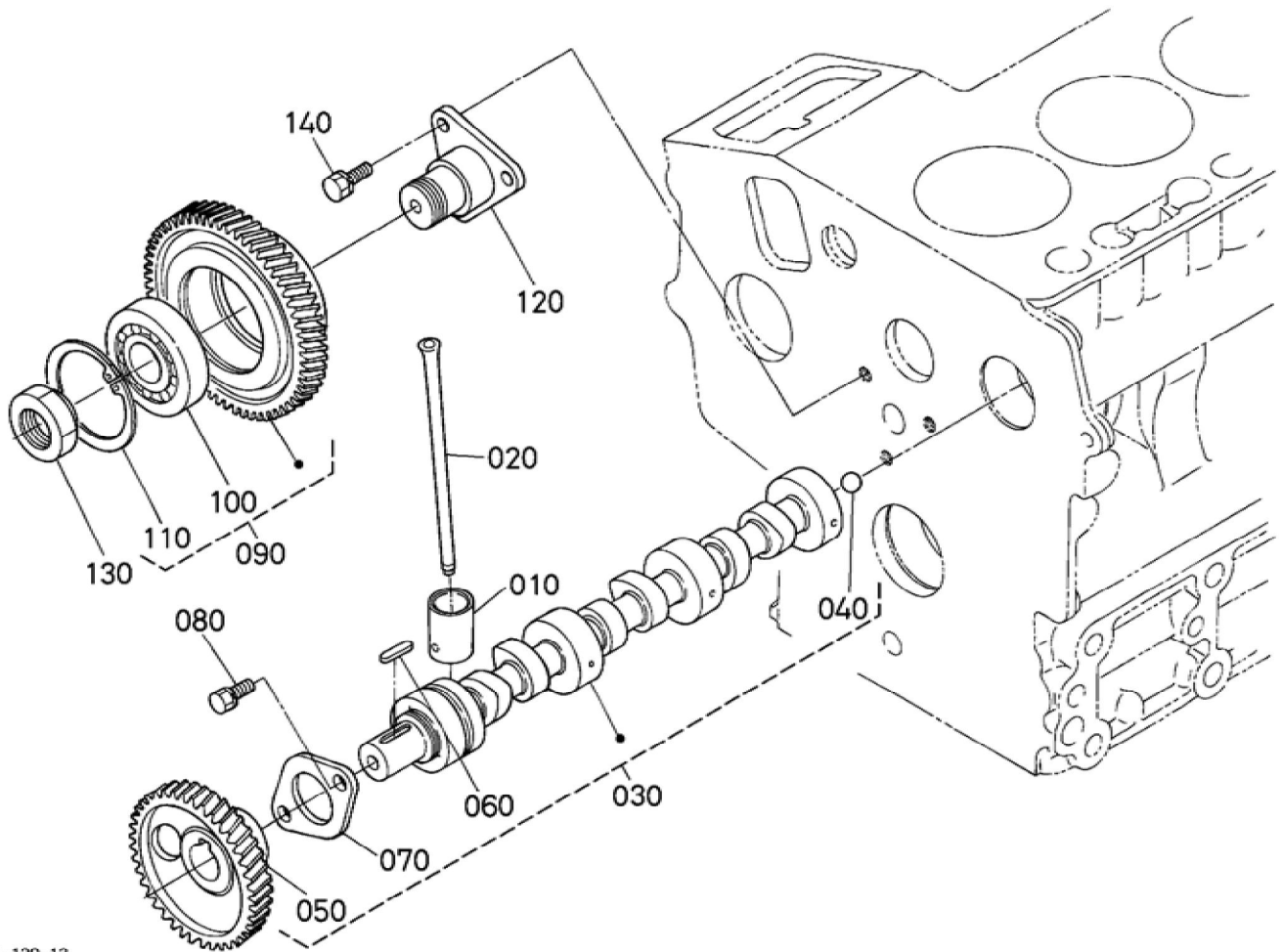
Update Date : 2019/10/18 Print Date : 2022/01/15

No.	Part Number	Part Name (POL)	Part Name (ENG)	QTY	IC	Serial No./PIN	Kg	Remarks
010	16861-07090	GRP.LAGERGEHAEUSE	CASE,BRG,ASSY	1			0.330	
020	01754-50840	SCHRAUBE	BOLT,FLANGE	2			0.020	
025	16861-23480	LAGERSCHALE	METAL (CRANKSHAFT)	1			0.030	STD SET
025	15694-23930	LAGERSCHALE	METAL,CRANKSHAFT	1			0.040	-0.20mm SET
025	15694-23940	LAGERSCHALE	METAL,CRANKSHAFT	1			0.046	-0.40mm SET
030	15852-04360	DICHTUNG,LAGER	GASKET,BEARING CASE	1		<=4M2501	0.005	
030	1G960-04360	DICHTUNG,LAGER	GASKET,BEARING CASE	1	>>	>=4N0001	0.010	
030	15852-04360	DICHTUNG,LAGER	GASKET,BEARING CASE	1	>>	>=4Y0001	0.005	
035	05012-00608	ZYLINDERSTIFT	PIN,STRAIGHT	2			0.002	
040	15841-04810	DECKEL,LAGERKASTEN	COVER (CASE,BRG)	1		<=5F2861	0.160	
040	15841-04815	DECKEL,LAGERKASTEN	COVER,BEARING CASE	1	>>	>=5G0557	0.160	
050	09560-00007	OELDICHTUNGSRING	SEAL,OIL	1		<=9BZ999	0.029	
050	1G460-04460	OELDICHTUNGSRING	SEAL,OIL	1	NI	>=9C0001	0.032	
060	15841-04822	DICHTUNGSPLATTE	GASKET (CASE COVER)	1		<=7TZ999	0.004	
060	15841-04823	DICHTUNG	GASKET,CASE COVER	1	>>	>=7U0001	0.007	
080	01023-50622	BOLZEN	BOLT,SEMS	16			0.005	
090	16851-07040	GRP.LAGERGEHAEUSE	CASE,BRG,ASSY(MAIN)	1			0.570	
095	16851-04040	GRP.LAGERGEHAEUSE	ASSY CASE,MAIN BRG.	1			0.580	
100	15841-04540	BOLZEN	BOLT,BEARING CASE	2			0.012	

Update Date : 2019/10/18 Print Date : 2022/01/15

No.	Part Number	Part Name (POL)	Part Name (ENG)	QTY	IC	Serial No./PIN	Kg	Remarks
105	16861-23490	LAGERSCHALE	METAL (CRANKSHAFT)	1			0.020	STD SET
105	15861-23860	LAGERSCHALE	METAL,CRANKSHAFT	1			0.030	-0.20mm SET
105	15861-23870	LAGERSCHALE	METAL,CRANKSHAFT	1			0.030	-0.40mm SET
110	16851-07050	GRP.LAGERGEHAEUSE	CASE,BRG,ASSY(MAIN)	1			0.570	
115	16861-04050	GRP.LAGERGEHAEUSE	ASSY CASE,MAIN BRG.	1			0.580	
120	15841-04540	BOLZEN	BOLT,BEARING CASE	2			0.012	
125	16861-23490	LAGERSCHALE	METAL (CRANKSHAFT)	2			0.020	STD SET
125	15861-23860	LAGERSCHALE	METAL,CRANKSHAFT	1			0.030	-0.20mm SET
125	15861-23870	LAGERSCHALE	METAL,CRANKSHAFT	1			0.030	-0.40mm SET
130	15841-04562	BOLZEN,LAGERKASTEN	BOLT,BEARING CASE	2			0.020	

Update Date : 2019/10/18 Print Date : 2022/01/15



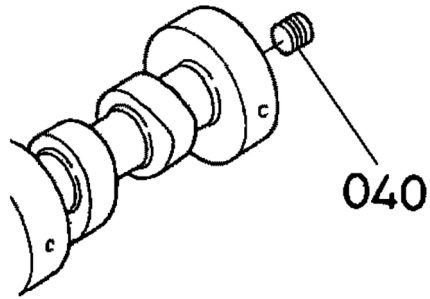
16871-129-13

Update Date : 2019/10/18 Print Date : 2022/01/15

No.	Part Number	Part Name (POL)	Part Name (ENG)	QTY	IC	Serial No./PIN	Kg	Remarks
010	16851-15550	STOESSEL	TAPPET	6		<=4X4026	0.025	
010	16851-15552	STOESSEL	TAPPET	6	>>	>=4Y0001	0.024	
020	16851-15110	STOESSELST ANGE	ROD,PUSH	6			0.020	
030	16864-16010	GRP.NOCKE NWELLE	CAMSHAFT,A SSY	1		<=7FZ999	1.050	
030	16864-16015	NOCKENWEL LE KOMP.	CAMSHAFT,A SSY	1	>>	>=7G0001	1.000	
040	15521-93610	ANSCHLAGS CHRAUBE	SCREW,SET	1		<=4M2501	0.002	
040	07715-00401	KUGEL	BALL 1/4	1	NI	>=4N0001	0.001	
050	16864-16510	ZAHNRAD	GEAR,CAM	1			0.262	
060	05712-00518	KEIL	FEATHER KEY	1			0.003	
070	15841-16270	NOCKENWEL LENSPERRPL ATTE	STOPPER (CAMSHAFT)	1			0.027	
080	01023-50612	BOLZEN	BOLT,SEMS	2			0.005	
090	16864-24010	ZAHNRAD	GEAR,ASSY (IDLE)	1			0.580	
100	16864-24290	LAGER	BEARING	1			0.145	
110	04611-00520	SICHERUNGS RING,INNEN	CIR- CLIP,INTERN AL	1			0.009	
120	16864-24250	WELLE	SHAFT(IDLE GEAR)	1			0.160	
130	16864-92010	MUTTER	NUT	1			0.020	
140	01023-50614	BOLZEN	BOLT,SEMS	3			0.005	

Update Date : 2019/10/18 Print Date : 2022/01/15

OLD PART



16897-804-10



Suggest:

For more complete manuals. Please go to the home page.

<https://www.ebooklibonline.com>

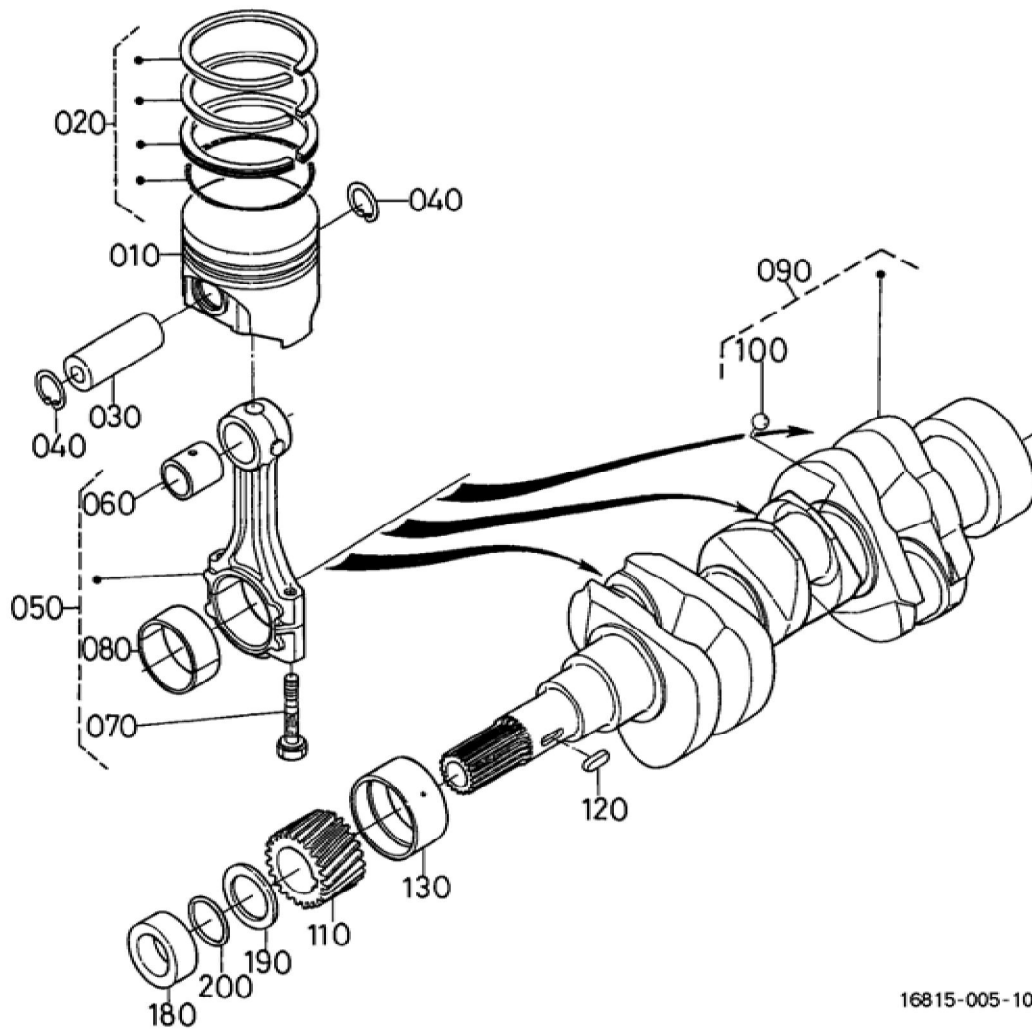
If the above button click is invalid. Please download this document first, and then click the above link to download the complete manual.

Thank you so much for reading

Update Date : 2019/10/18 Print Date : 2022/01/15

No.	Part Number	Part Name (POL)	Part Name (ENG)	QTY	IC	Serial No./PIN	Kg	Remarks
040	15521-93610	ANSCHLAGS CHRAUBE	SCREW,SET	1		<=4M2501	0.002	
040	07715-00401	KUGEL	BALL 1/4	1	NI	>=4N0001	0.001	

Update Date : 2019/10/18 Print Date : 2022/01/15



16815-005-10

<https://www.ebooklibonline.com>

Hello dear friend!

Thank you very much for reading.

Enter the link into your browser.

The full manual is available for immediate download.

<https://www.ebooklibonline.com>