

Update Date : 2019/12/25 Print Date : 2022/01/23

B1241D-EC-F2-S5



FUITB-259-10

Item	Capacity	Change Interval
Engine Oil	3.1L	after the first 50 hours of operation. Every 200 hours
Engine Oil Filter		after the first 50 hours of operation. Every 200 hours



ELECTRICAL PARTS

 010	 020	 030	 040	 050	
 060 070 080 090		 100	 110	HEAD 120	TAIL 130
TURN/HAZARD 140 REAR	REAR 150 . LICENCE	POSITION 160 FRONT	TURN/HAZARD 170 FRONT	PANEL 180	

FILTERS / ELEMENTS

ENGINE	FUEL	SUCTION	AIR CLEANER
 190	 200	 210	 220 230

BELT

FAN				
 240				

OTHERS

 250	 260	 270	 280		
---------	---------	---------	---------	--	--

Update Date : 2019/12/25 Print Date : 2022/01/23

No.	Part Number	Part Name (POL)	Part Name (ENG)	QTY	IC	Serial No./PIN	Kg	Remarks
010	6C040-55412	ANLASSERS CHALTER	SWITCH, STARTER	1			0.190	
020	3C001-75040	WARNBLINKS CHALTER	SWITCH,HAZ ARD	1			0.015	
030	15248-63700	ZUENDSCHL UESSEL	KEY,STARTE R	2			0.034	2P/SET
040	6A700-30810	KOMBINATIO NSCHALTER	SWITCH,CON BI	1			0.050	
050	15321-73016	GRP.THERM OSTAT	ASSY THERMOSTA T	1			0.070	
060	T1065-30430	SICHERUNG	FUSE	1			0.001	5A
070	5H050-41620	SICHERUNG	FUSE	2			0.003	10A
080	5H050-41640	SICHERUNG	FUSE (20A,AUTO)	3			0.001	20A
090	5H050-41660	SICHERUNG	FUSE,AUTO (30A)	1			0.001	30A
100	15531-39014	OELDRUCKS CHALTER	W-SWITCH OIL PRESSURE	1			0.032	
110	17478-60080	SICHERUNG	FUSE	1			0.008	50A
120	6C392-54170	GLUEHBIRNE	BULB,FLASH ER	2			0.022	35W
130	3C081-75920	GLUEHBIRNE	BULB	1			0.015	21W
140	3C081-75910	GLUEHBIRNE	BULB	1			0.015	21/5W
150	TA049-30030	GLUEHBIRNE	BULB	1			0.010	10W
160	T1880-99110	GLUEHBIRNE	BULB (12V21W)	1			0.020	21W
170	T1880-99140	GLUEHBIRNE	BULB(12V5W)	1			0.010	5W
180	6A700-30270	GLUEHBIRNE	LAMP	13			0.002	1.7W
190	HH150-32094	OELFILTERP ATRONE	CARTRIDGE OIL FILTER	1			0.300	
200	6A320-59930	DRUCKFILTE R	FILTER	1			0.025	
210	HH670-37712	OELFILTERP ATRONE	CARTRIDGE, OIL FILTER	1			0.370	
220	6C060-99414	ELEMENT,KO MP.	ASSY ELEMENT	1			0.240	
230	32721-58242	ELEMENT, INNEN	ELEMENT,IN NER	1			0.070	

Update Date : 2019/12/25 Print Date : 2022/01/23

No.	Part Number	Part Name (POL)	Part Name (ENG)	QTY	IC	Serial No./PIN	Kg	Remarks
240	1G879-97012	KEILRIEMEN	BELT,FAN	1			0.300	
250	6C040-58630	SCHLAUCH	HOSE,WATE R	1			0.095	
260	6C300-58570	SCHLAUCH	HOSE,WATE R	1			0.162	
270	6A320-58406	AUSPUFF KOMP.	COMP.MUFFL ER	1			1.970	
280	3C001-17110	KUEHLERVE RSCHLUSS	ASSY CAP,RADIAT OR	1			0.040	

<https://www.ebooklibonline.com>

Hello dear friend!

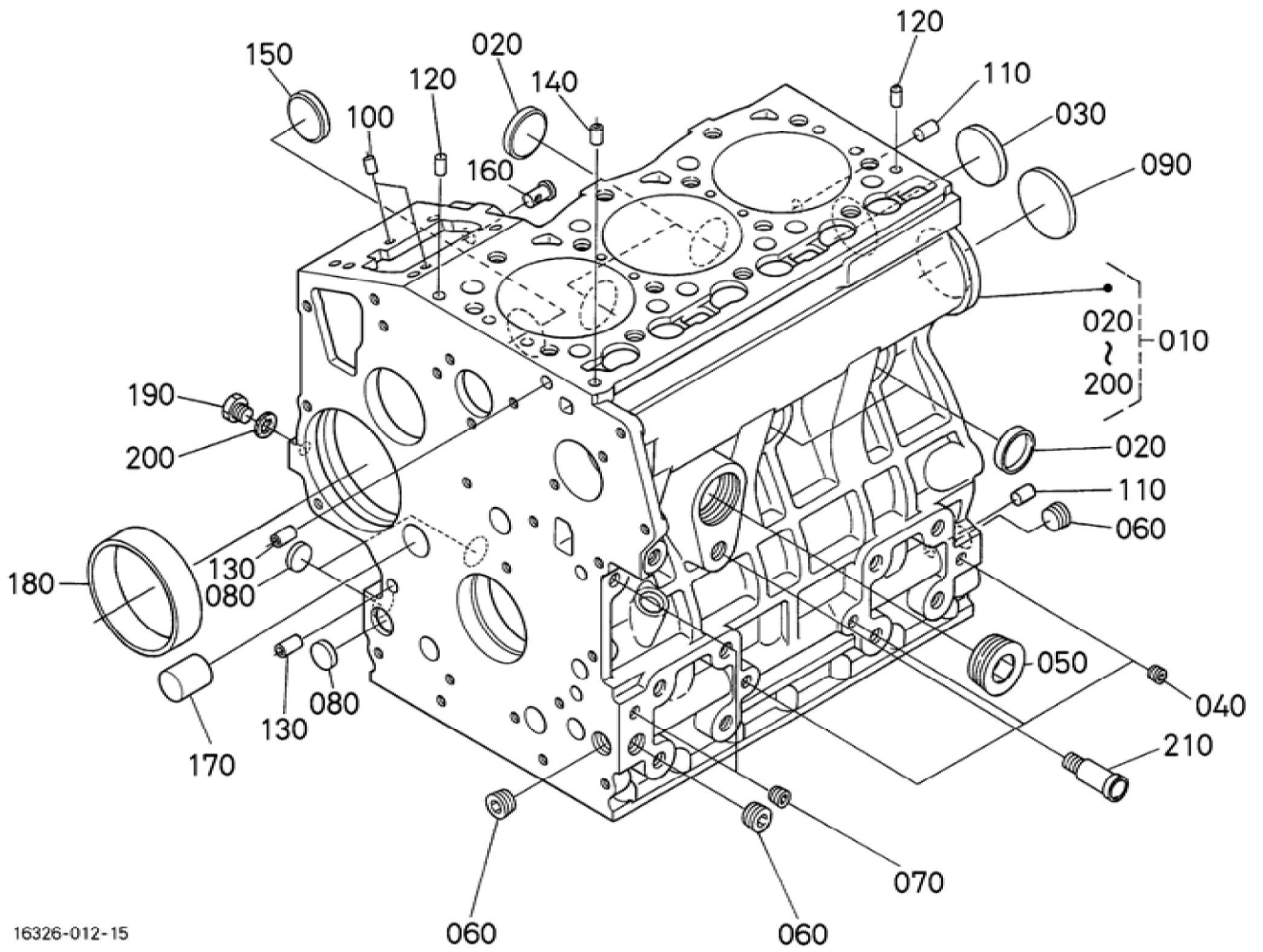
Thank you very much for reading.

Enter the link into your browser.

The full manual is available for immediate download.

<https://www.ebooklibonline.com>

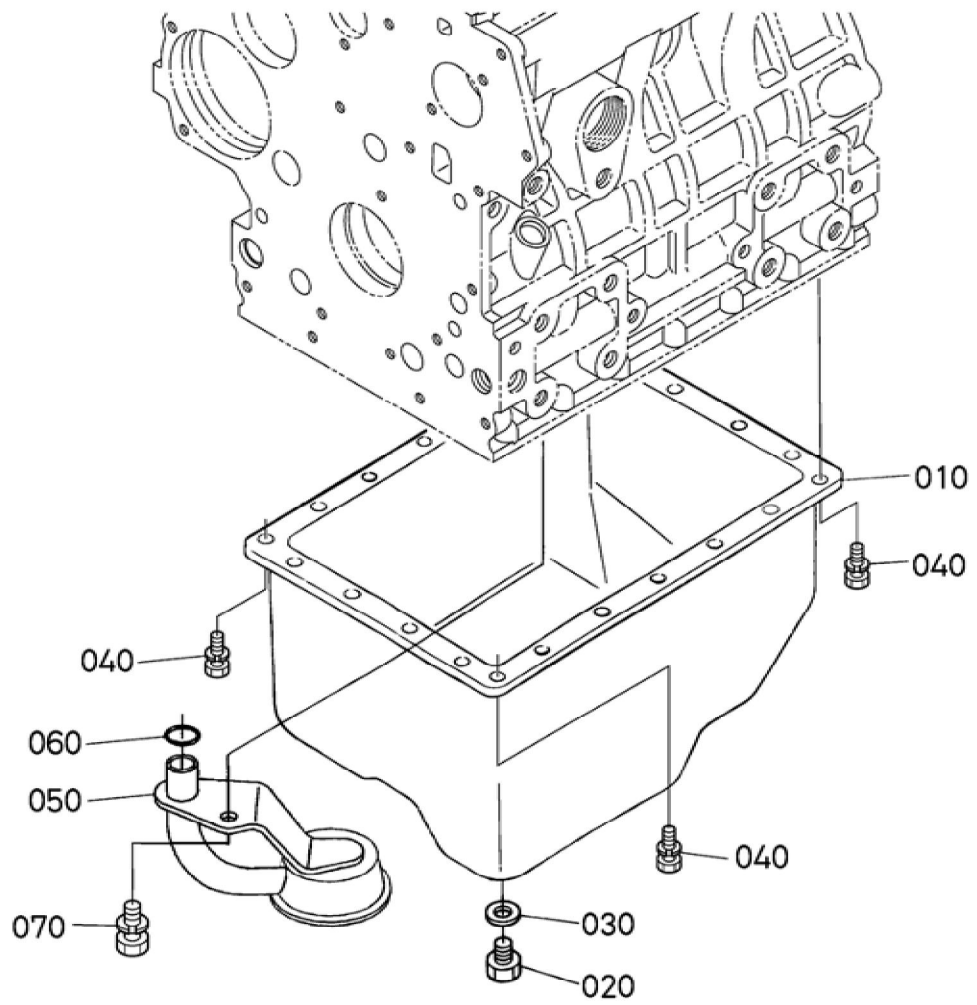
Update Date : 2019/12/25 Print Date : 2022/01/23



16326-012-15

Update Date : 2019/12/25 Print Date : 2022/01/23

No.	Part Number	Part Name (POL)	Part Name (ENG)	QTY	IC	Serial No./PIN	Kg	Remarks
010	1G694-01012	KOMP.KURBELGEHAEUSE	COMP.CRANKCASE	1		<=1KHZ999	31.000	
010	1G870-01012	KOMP.KURBELGEHAEUSE	COMP.CRANKCASE	1	>>	>=1KJ0001	30.000	
020	15451-96270	KAPPE	CAP,SEALING	4			0.010	
030	15221-03490	STOPFEN	CAP,SEALING	1			0.020	
040	15261-96010	STOPFEN	PLUG	3			0.002	
050	16683-96020	STOPFEN	PLUG	1			0.088	
060	16241-96010	STOPFEN	PLUG	3			0.007	
070	15521-96020	STOPFEN	PLUG	2			0.003	
080	17391-96160	STOPFEN	PLUG,EXPANSION	3			0.003	
090	16271-96160	STOPFEN	PLUG,EXPANSION	1			0.025	
100	05012-00508	ZYLINDERSTIFT	PIN,STRAIGHT	2			0.001	
110	05012-00814	ZYLINDERSTIFT	PIN,STRAIGHT	2			0.006	
120	05012-00610	ZYLINDERSTIFT	PIN,STRAIGHT	2			0.003	
130	15231-33960	ROHRSTIFT	PIN,PIPE	2			0.001	
140	16241-33650	ROHRSTIFT	PIN,PIPE	1			0.002	
150	16241-96262	STOPFEN	PLUG,FUELCAMSHAFT	1			0.007	
160	16261-56280	STARTFEDERSTIFT	PIN(STARTSPRING)	1			0.004	
170	16282-96010	STOPFEN	PLUG	1			0.090	
180	16271-55350	BUCHSE	BUSHING(GEAR,GOVERNOR)	1			0.060	
190	1G896-33610	BOLZEN	PLUG	1			0.008	
200	15021-33660	DICHTUNGSPLATTE	PACKING	1			0.001	
210	15321-73340	WASSERROHR	PIPE(WATER RETURN)	1			0.016	

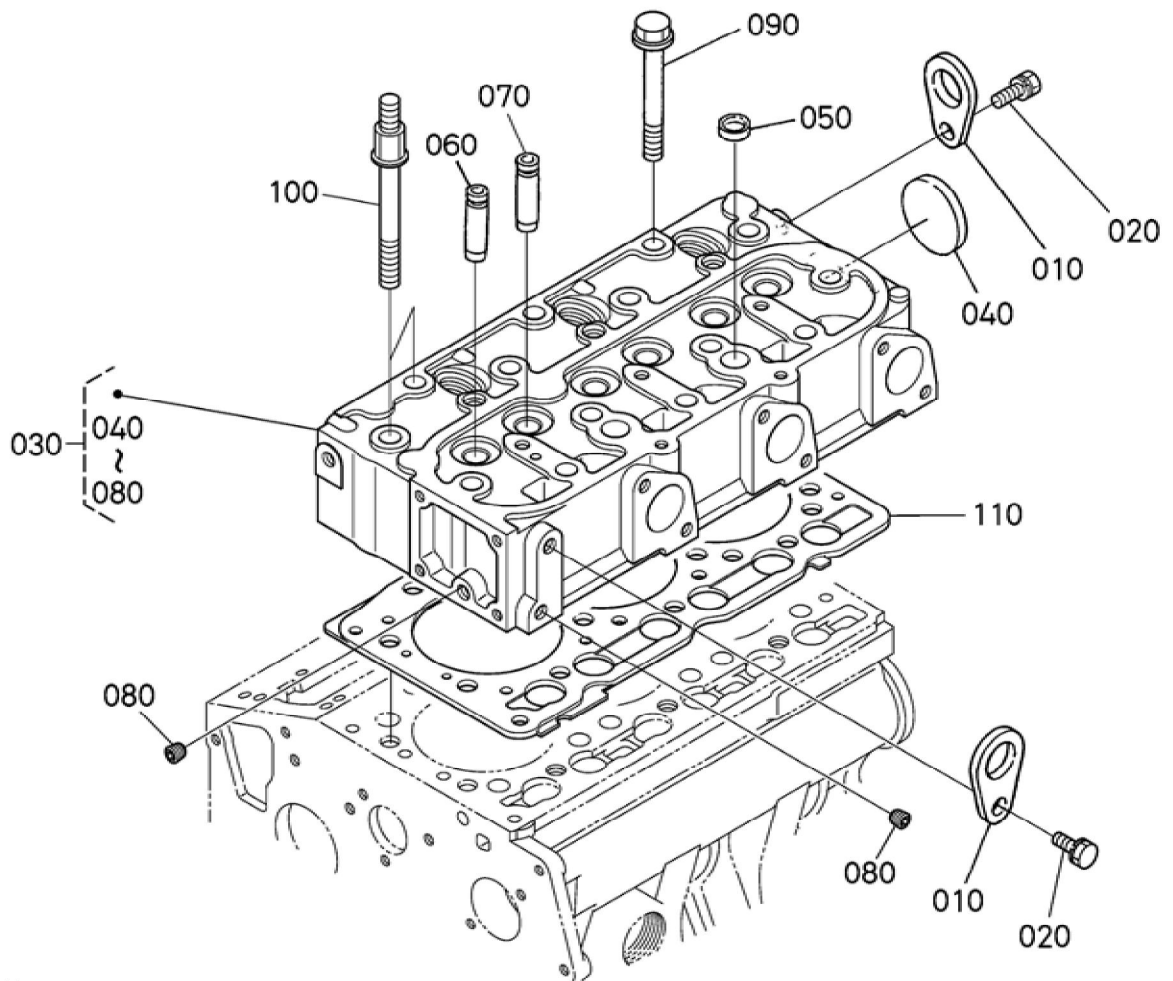


1G061-022-10

Update Date : 2019/12/25 Print Date : 2022/01/23

No.	Part Number	Part Name (POL)	Part Name (ENG)	QTY	IC	Serial No./PIN	Kg	Remarks
010	6C040-58920	KOMP.OELW ANNE	COMP.OIL PAN	1			1.200	
020	13901-33750	ENTLEERUN GSSTOPFEN	PLUG,DRAIN	1			0.025	
030	6C090-58960	DICHTUNGSP LATTE	GASKET	1			0.005	
040	01023-50614	BOLZEN	BOLT,SEMS	22			0.005	
050	16261-32117	OELFILTER	FILTER,OIL	1			0.210	
060	04814-00160	O RING	O RING	1			0.001	
070	01123-50816	SCHRAUBE	BOLT,SEMS	1			0.011	

Update Date : 2019/12/25 Print Date : 2022/01/23

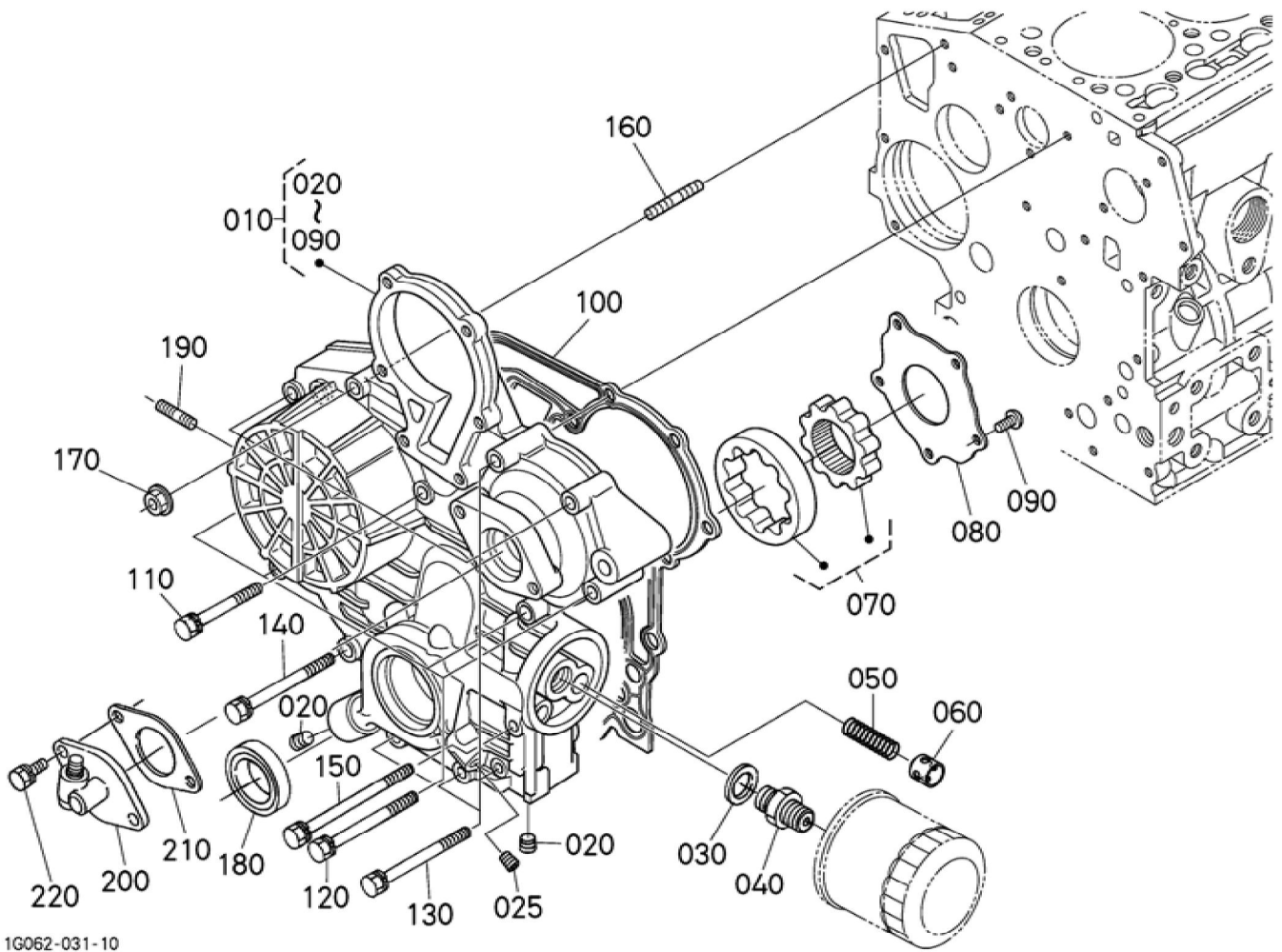


1G041-003-11

Update Date : 2019/12/25 Print Date : 2022/01/23

No.	Part Number	Part Name (POL)	Part Name (ENG)	QTY	IC	Serial No./PIN	Kg	Remarks
010	15221-01750	MOTORHAKE N	HOOK,ENGINE	2			0.040	
020	01123-50814	BOLZEN	BOLT,SEMS	2			0.010	
030	1J096-03040	KOMP.ZYLIN DERKOPF	HEAD,CYL,C OMP	1			9.300	
040	15321-96260	KAPPE	CAP,SEALING	1			0.014	
050	15261-03370	STOEPSEL,A BDICHTUNG	CAP,SEALING	2			0.005	
060	16261-13540	EINLASSVEN TILFUEHRUN G	GUIDE,INLET VALVE	3			0.020	
070	16261-13560	AUSLASSVEN TILFUEHRUN G	GUIDE,EXHA UST VALVE	3			0.019	
080	15261-96010	STOPFEN	PLUG	2			0.002	
090	16241-03450	ZYLINDERKO PFSCHRAUB E	BOLT,HEAD (CYLINDER)	12			0.050	
100	16216-03450	ZYLINDERKO PFSCHRAUB E	BOLT,CYLIND ER HEAD	2			0.070	
110	1G063-03310	ZYLINDERKO PFDICHTUNG	GASKET (HEAD,CYL)	1			0.160	

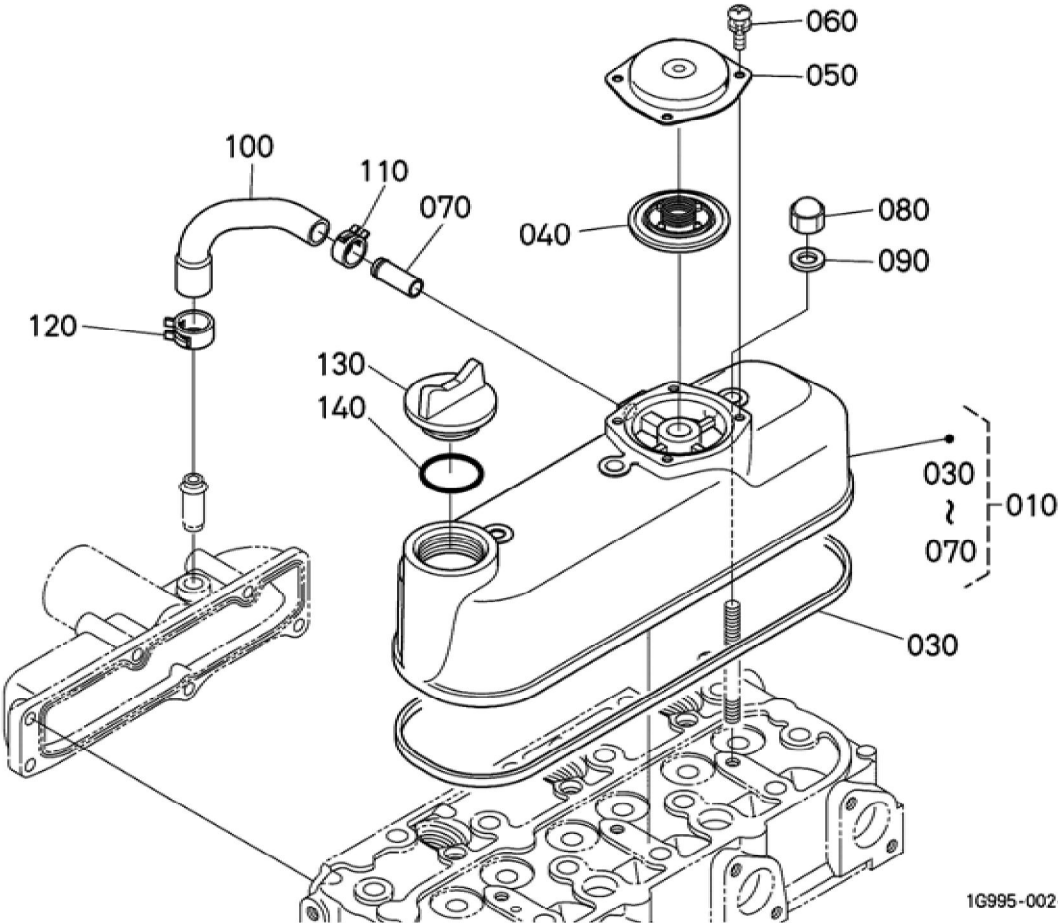
Update Date : 2019/12/25 Print Date : 2022/01/23



Update Date : 2019/12/25 Print Date : 2022/01/23

No.	Part Number	Part Name (POL)	Part Name (ENG)	QTY	IC	Serial No./PIN	Kg	Remarks
010	16252-04024	KMP.GETRIEBE GEHAEUSE	COMP.CASE, GEAR	1			2.460	
020	16241-96020	STOPFEN	PLUG	2			0.015	
025	16261-96010	STOPFEN	PLUG	1			0.002	
030	04011-50180	SCHEIBE	WASHER,PLAIN	1			0.012	
040	15241-32290	VERBINDUNG SSTUECK	JOINT,PIPE	1			0.053	
050	1J050-36950	FEDER	SPRING	1			0.004	
060	1J050-36930	UEBERLAUFV ENTIL	VALVE (RELIEF)	1			0.005	
070	1J050-35070	ROTOR KOMP.	ROTOR,ASSY (OIL PUMP)	1			0.244	
080	1J050-35132	DECKEL, OELPUMPE	COVER(OIL PUMP)	1			0.085	
090	03017-50614	SCHRAUBE	SCREW,BINDI NG(PHILLIPS)	5			0.005	
100	16264-04132	DICHTUNG	GASKET,GEA R CASE	1			0.010	
110	01023-50645	BOLZEN	BOLT,SEMS	3			0.010	
120	01023-50650	BOLZEN	BOLT,SEMS	4			0.012	
130	01023-50655	BOLZEN	BOLT,SEMS	4			0.012	
140	01023-50665	BOLZEN	BOLT,SEMS	1			0.015	
150	16241-91040	BOLZEN	BOLT	1			0.015	
160	16245-91530	STEBOLZEN	STUD	1			0.010	
170	02751-50060	MUTTER	NUT,FLANGE	1			0.005	
180	16241-04212	OELDICHTUN GSRING	SEAL,OIL	1			0.012	
190	16245-91540	STEBOLZEN	STUD	2			0.005	
200	58417-25950	GRP.GETRIEBE GEHAEUSE	ASSY GEAR CASE,H/M	1			0.290	
210	16264-88130	DICHTUNG	GASKET,H/M ETER UNIT	1			0.002	
220	01023-50618	BOLZEN	BOLT,SEMS	2			0.006	

Update Date : 2019/12/25 Print Date : 2022/01/23

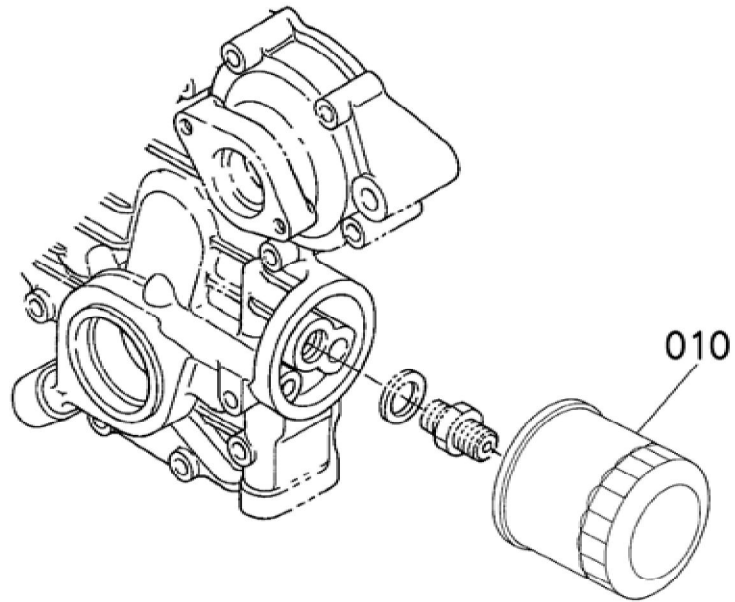


1G995-002-22

Update Date : 2019/12/25 Print Date : 2022/01/23

No.	Part Number	Part Name (POL)	Part Name (ENG)	QTY	IC	Serial No./PIN	Kg	Remarks
010	1G032-14580	DECKEL OBEN,KOMP.	COVER,HEAD ,ASSY	1			0.800	
030	16261-14524	VENTILDECK ELDICHTUNG	GASKET,HEA D COVER	1			0.010	
040	1G911-05203	ENTLUEFTER	COMP VALVE,BREA THER	1			0.010	
050	1G801-05120	ENTLUEFTER DECKEL	COVER,BREA THER	1			0.035	
060	03024-50510	SCHRAUBE	SCREW,SEM S(PAN HEAD)	4			0.002	
070	17331-73342	WASSERROH R	PIPE,WATER RETURN	1			0.010	
080	15952-92330	MUTTER	NUT,CAP	3			0.010	
090	15951-96660	DICHTUNGSP LATTE	PACKING	3			0.001	
100	1G032-05512	ENTLUFTUN GSROHR	TUBE,BREAT HER	1			0.017	
110	09318-88150	SCHLAUCHBI NDER	CLAMPHOSE	1			0.004	
120	16259-05580	SCHLAUCHBI NDER	BAND,PIPE	1			0.030	
130	E9151-33140	OELEINFUEL LSTOPFEN	PLUG(OIL FILLER)	1			0.017	
140	1J001-96770	O RING	O RING	1			0.001	

Update Date : 2019/12/25 Print Date : 2022/01/23



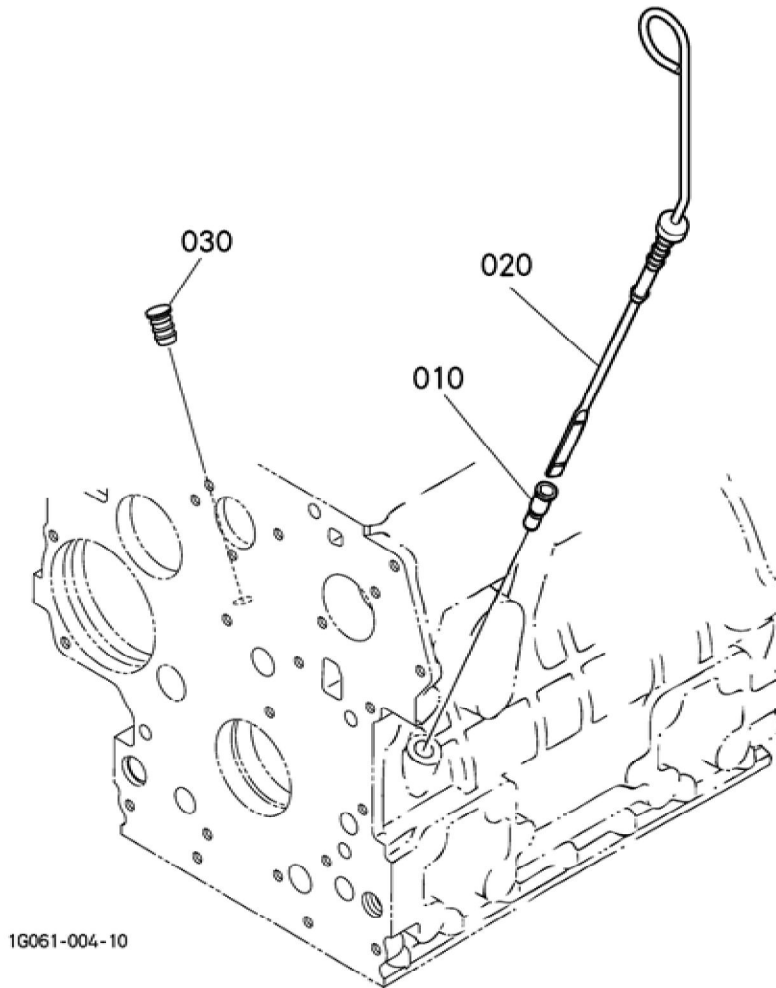
16615-003-11

BKIDA5161 >> B1241D-EC-F2-S5 >> MOTOR / ENGINE >> 000600 OELFILTER / OIL FILTER

Update Date : 2019/12/25 Print Date : 2022/01/23

No.	Part Number	Part Name (POL)	Part Name (ENG)	QTY	IC	Serial No./PIN	Kg	Remarks
010	HH150-32094	OELFILTERP ATRONE	CARTRIDGE OIL FILTER	1			0.300	

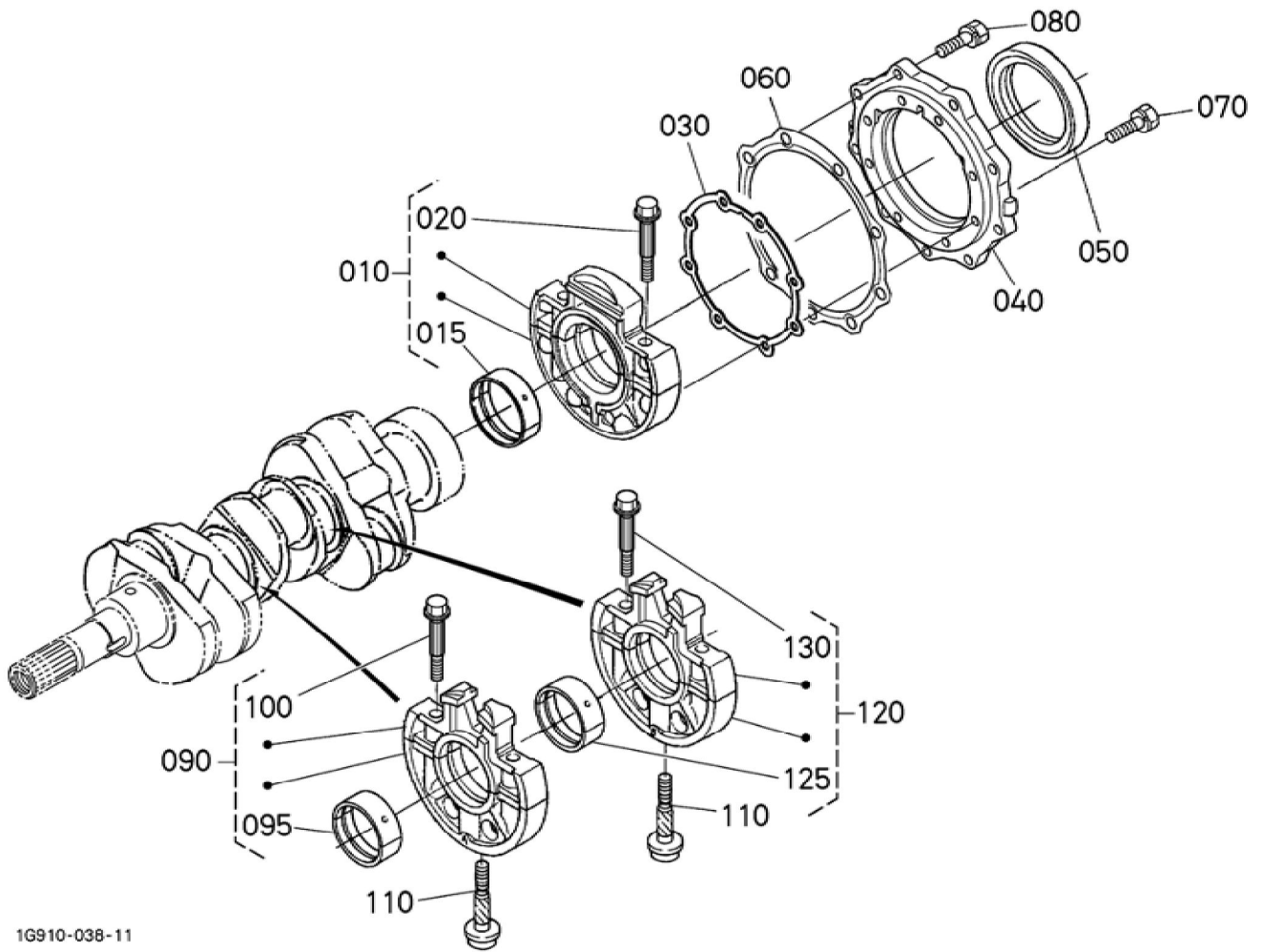
Update Date : 2019/12/25 Print Date : 2022/01/23



Update Date : 2019/12/25 Print Date : 2022/01/23

No.	Part Number	Part Name (POL)	Part Name (ENG)	QTY	IC	Serial No./PIN	Kg	Remarks
010	16809-36420	FUEHRUNG, OELMESSST AB	GUIDE (GAUGE,OIL)	1			0.028	
020	16210-36410	OELMESSST AB UND FUEHRUNG	GAUGE,OIL	1			0.040	
030	1G513-36550	STOPFEN, OELMESSST AB	PLUG,OIL GAUGE	1			0.004	

Update Date : 2019/12/25 Print Date : 2022/01/23

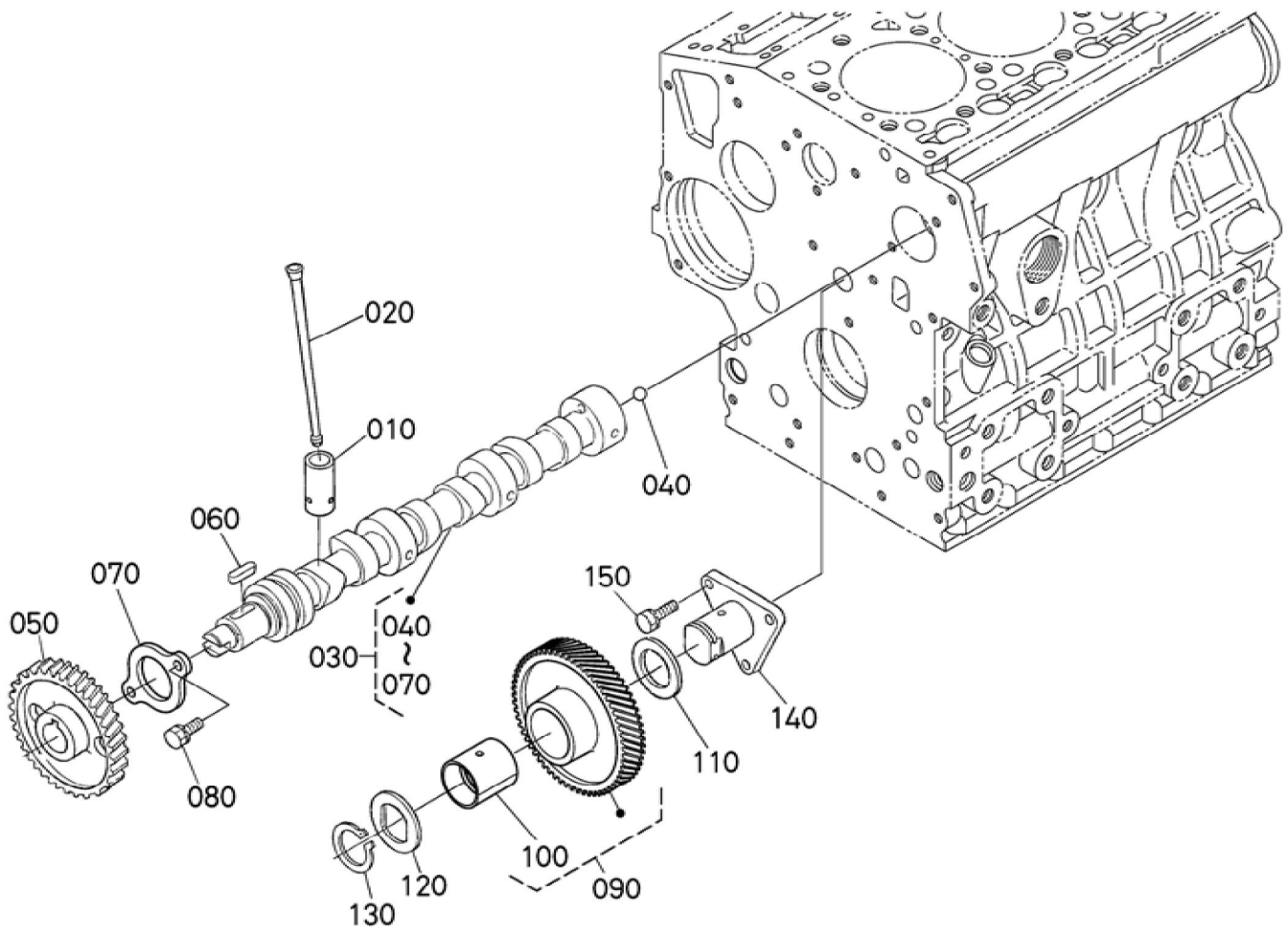


1G910-038-11

Update Date : 2019/12/25 Print Date : 2022/01/23

No.	Part Number	Part Name (POL)	Part Name (ENG)	QTY	IC	Serial No./PIN	Kg	Remarks
010	16292-07097	LAGERGEHAEUSE,KOMP.	ASSY BRG CASE	1			1.100	
015	16292-23494	LAGERSCHA LE	METAL,CRAN KSHAFT	1			0.070	STD SET
020	16241-04540	BOLZEN,LAG ERKASTEN	BOLT,BEARIN G CASE	2			0.020	
030	1J095-04360	DICHTUNG,L AGER	GASKET (BRG.CASE)	1			0.006	
040	16241-04815	DECKEL,LAG ERKASTEN	COVER (CASE,BRG)	1			0.220	
050	16285-04460	DELDICHTUN GSRING	SEAL,OIL	1			0.003	
060	16264-04822	DICHTUNG	GASKET	1			0.008	
070	1G679-91012	BOLZEN	BOLT	8			0.007	
080	1G679-91022	BOLZEN	BOLT	9			0.006	
090	16261-07047	GRP.LAGERG EHAEUSE	ASSY BRG.CASE,M AIN	1			0.860	
095	16292-23483	LAGERSCHA LE	METAL,CRAN KSHAFT	1			0.050	STD SET
100	16241-04540	BOLZEN,LAG ERKASTEN	BOLT,BEARIN G CASE	2			0.020	
110	16241-04560	BOLZEN,LAG ERKASTEN	BOLT (CASE,BRG)	2			0.030	
120	16261-07057	GRP.LAGERG EHAEUSE	ASSY BRG.CASE,M AIN	1			0.800	
125	16292-23483	LAGERSCHA LE	METAL,CRAN KSHAFT	1			0.050	STD SET
130	16241-04540	BOLZEN,LAG ERKASTEN	BOLT,BEARIN G CASE	2			0.020	

Update Date : 2019/12/25 Print Date : 2022/01/23

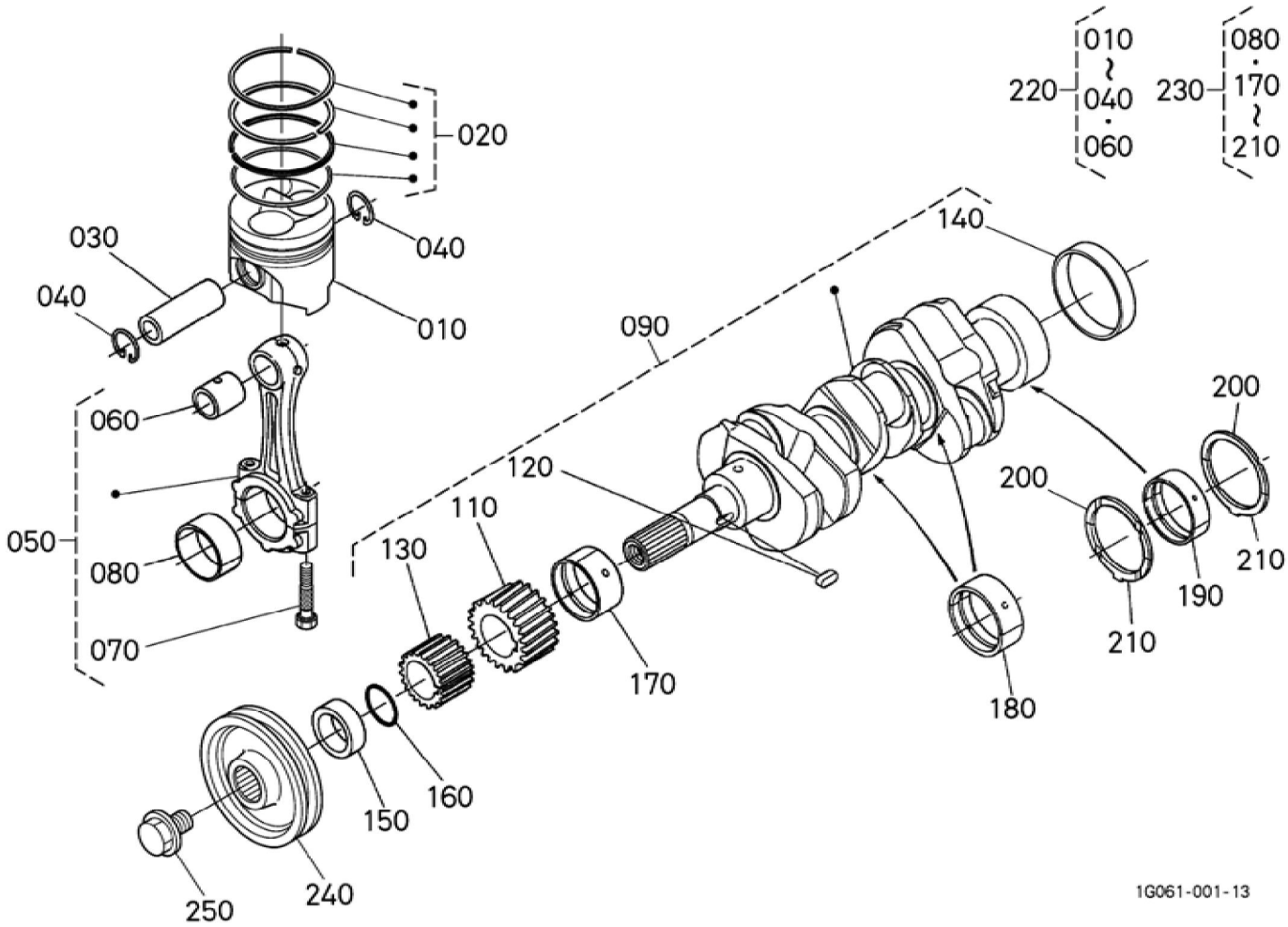


1G910-034-11

Update Date : 2019/12/25 Print Date : 2022/01/23

No.	Part Number	Part Name (POL)	Part Name (ENG)	QTY	IC	Serial No./PIN	Kg	Remarks
010	1G673-15550	STOESSEL	TAPPET	6			0.035	
020	16241-15114	STOESSELSTANGE	PUSH ROD	6			0.028	
030	1J033-16010	GRP.NOCKENWELIE	CAMSHAFT,ASSY	1			1.555	
040	07715-00401	KUGEL	BALL 1/4	1			0.001	
050	16241-16510	ZAHNRAD	GEAR,CAM	1		<=1KHZ999	0.450	ORDER BY REF.No.050 NEW PART.
050	16241-16515	ZAHNRAD	GEAR,CAM	1	>>	>=1KJ0001	0.450	
060	05712-00518	KEIL	FEATHER KEY	1			0.003	
070	1J097-16270	NOCKENWELLE SPERRPLATTE	STOPPER (CAMSHAFT)	1			0.030	
080	01023-50616	BOLZEN	BOLT,SEMS	2			0.006	
090	16251-24012	ZAHNRAD KOMP.	COMP GEAR,IDLE	1			0.630	
100	1G910-24980	BUCHSE	BUSH,IDLE GEAR	1			0.028	
110	16251-24360	HUELSE	COLLAR(IDLE GEAR)	1			0.012	
120	15741-24370	HUELSE	COLLAR(IDLE GEAR)	1			0.015	
130	15741-24320	SEEGERING	CIR CLIP,IDLE GEAR	1			0.010	
140	16251-24250	WELLE	SHAFT,IDLE GEAR	1			0.360	
150	01023-50616	BOLZEN	BOLT,SEMS	3			0.006	

Update Date : 2019/12/25 Print Date : 2022/01/23



1G061-001-13

Update Date : 2019/12/25 Print Date : 2022/01/23

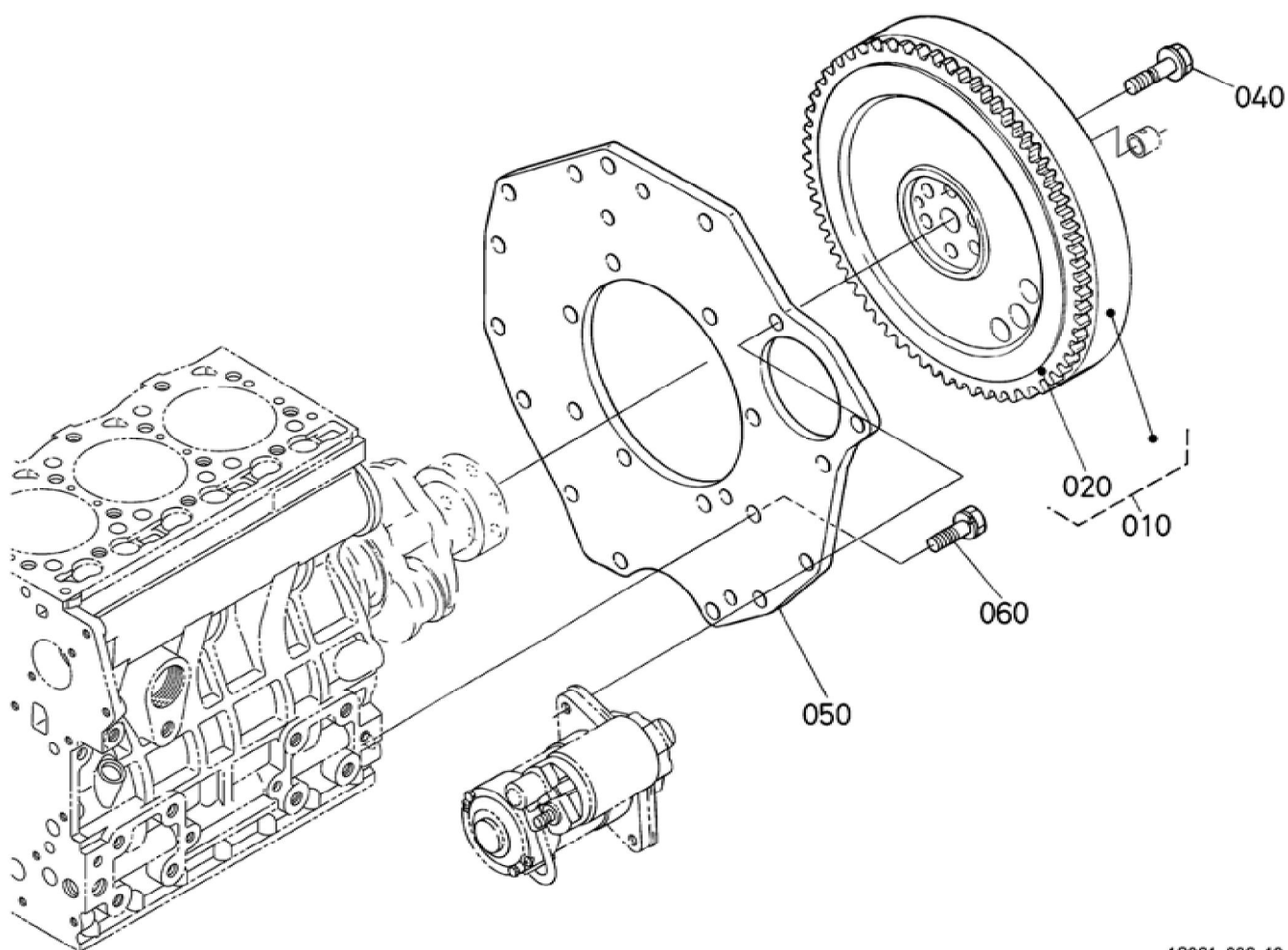
No.	Part Number	Part Name (POL)	Part Name (ENG)	QTY	IC	Serial No./PIN	Kg	Remarks
010	1J097-21110	KOLBEN	PISTON	3			0.414	STD
010	1J097-21910	KOLBEN	PISTON(05)	3			0.425	+0.50mm
020	1J050-21050	GRP.KOLBEN RING	RING,PISTON ,ASSY	3			0.040	STD
020	1J050-21090	GRP.KOLBEN RING	RING,PISTON ,ASSY 05	3			0.032	+0.50mm
030	16241-21310	KOLBENBOLZEN	PIN,PISTON	3			0.135	
040	16241-21330	SEEGERING	CIRCLIP (PIN,PISTON)	6			0.002	
050	16292-22016	GRP.PLEUEL STANGE	ROD,CONNE CTING,ASSY	3			0.526	
060	1G700-21980	BUCHSE,KOL BENSTIFT	BUSH,PISTO N PIN	3			0.010	
070	16241-22142	BOLZEN	BOLT (CONNECTIN G ROD)	6			0.024	
080	16292-22310	LAGERSCHA LE	METAL (PIN,CRANK)	3			0.040	STD SET
080	16292-22972	LAGERSCHA LE	METAL,CRAN KPIN	3			0.033	-0.20mm/SET
080	16292-22982	LAGERSCHA LE	METAL,CRAN KPIN	3			0.034	-0.40mm/SET
090	1G065-23013	BAUGRP.KUR BELWELLE	COMP.CRAN KSHAFT	1			8.610	
110	1A055-24110	ZAHNRAD	GEAR (CRANKSHAF T)	1			0.142	
120	16271-95230	KEIL	KEY	1			0.005	
130	1J050-35630	ZAHNRAD	GEAR(OIL PUMP DRIVE)	1			0.090	
140	16241-23280	MUFFE	SLEEVE,CRA NKSHAFT	1			0.060	
150	1G700-23250	HALSRING	COLLAR (CRANKSHAF T)	1			0.045	
160	04814-10280	O RING	RING	1			0.001	
170	16292-23473	LAGERSCHA LE	METAL (CRANKSHAF T)	1			0.046	STD
170	16292-23913	LAGERSCHA LE	METAL (CRANKSHAF T)	1			0.005	-0.20mm

Update Date : 2019/12/25 Print Date : 2022/01/23

No.	Part Number	Part Name (POL)	Part Name (ENG)	QTY	IC	Serial No./PIN	Kg	Remarks
170	16292-23923	LAGERSCHALE	METAL (CRANKSHAFT)	1			0.050	-0.40mm
180	16292-23483	LAGERSCHALE	METAL,CRANKSHAFT	2			0.050	STD SET
180	16292-23933	LAGERSCHALE	METAL,CRANKSHAFT	2			0.050	-0.20mm/SET
180	16292-23943	LAGERSCHALE	METAL,CRANKSHAFT	2			0.050	-0.40mm/SET
190	16292-23494	LAGERSCHALE	METAL,CRANKSHAFT	1			0.070	STD SET
190	16292-23864	LAGERSCHALE	METAL,CRANKSHAFT	1			0.050	-0.20mm/SET
190	16292-23874	LAGERSCHALE	METAL,CRANKSHAFT	1			0.050	-0.40mm/SET
200	15521-23533	LAGERSCHALE	METAL,SIDE	2			0.010	STD
200	15521-23953	LAGERSCHALE	METAL,SIDE	2			0.010	+0.20mm
200	15521-23963	LAGERSCHALE	METAL,SIDE	2			0.010	+0.40mm
210	19202-23543	LAGERSCHALE	METAL,SIDE	2			0.010	STD
210	19202-23973	LAGERSCHALE	METAL,SIDE	2			0.010	+0.20mm
210	19202-23983	LAGERSCHALE	METAL,SIDE	2			0.010	+0.40mm
220	1J097-21770	GRP.KOLBEN	PISTON,KIT (STD)	3			0.658	STD
220	1J097-21790	GRP.KOLBEN	PISTON,KIT (050)	3			0.668	+0.5mm
230	1G995-23755	LAGERSATZ	METAL,KIT (ENGINE)	1			0.325	STD
230	1G993-23765	LAGERSATZ	METAL,KIT (ENGINE)	1			0.320	- 0.2mm/+0.2mm
230	1G993-23775	LAGERSATZ	METAL,KIT (ENGINE)	1			0.490	- 0.4mm/+0.4mm
240	16261-74280	RIEMENSCHLEIBE	PULLEY,FAN DRIVE	1			1.000	

Update Date : 2019/12/25 Print Date : 2022/01/23

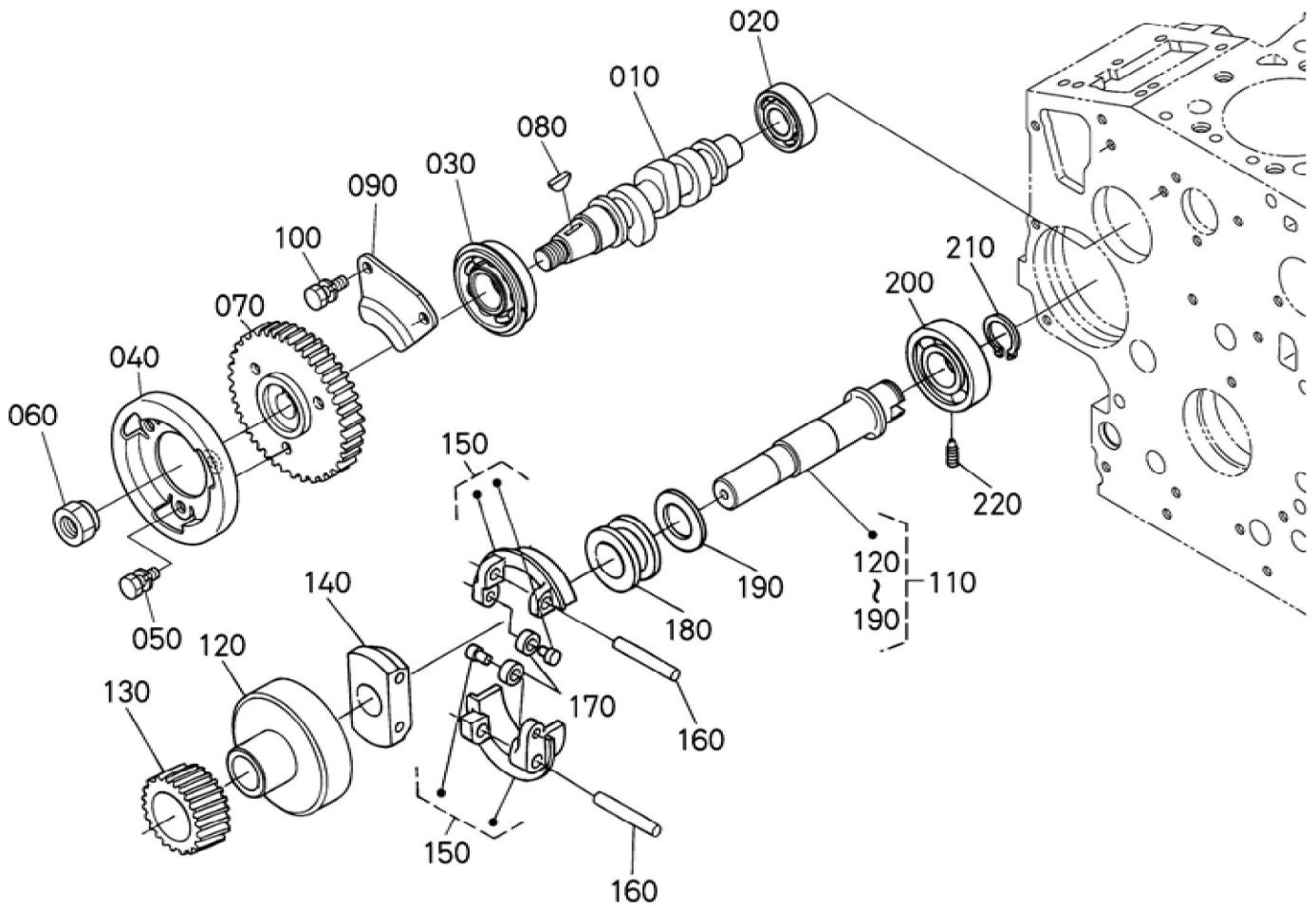
No.	Part Number	Part Name (POL)	Part Name (ENG)	QTY	IC	Serial No./PIN	Kg	Remarks
250	16241-91020	BOLZEN	BOLT(FAN DRIVE)	1			0.100	



Update Date : 2019/12/25 Print Date : 2022/01/23

No.	Part Number	Part Name (POL)	Part Name (ENG)	QTY	IC	Serial No./PIN	Kg	Remarks
010	16261-25015	KOMP.SCHWUNGRAD	FLYWHEEL,COMP	1			17.200	
020	1G061-63820	ZAHNKRANZ	GEAR,RING	1			0.790	
040	16271-25160	BOLZEN,SCHWUNGRAD	BOLT (FLYWHEEL)	6			0.036	
050	6C040-58912	PLATTE	PLATE(REAR END)	1			3.640	
060	15261-91190	BOLZEN	BOLT	8			0.030	

Update Date : 2019/12/25 Print Date : 2022/01/23



1G043-017-16

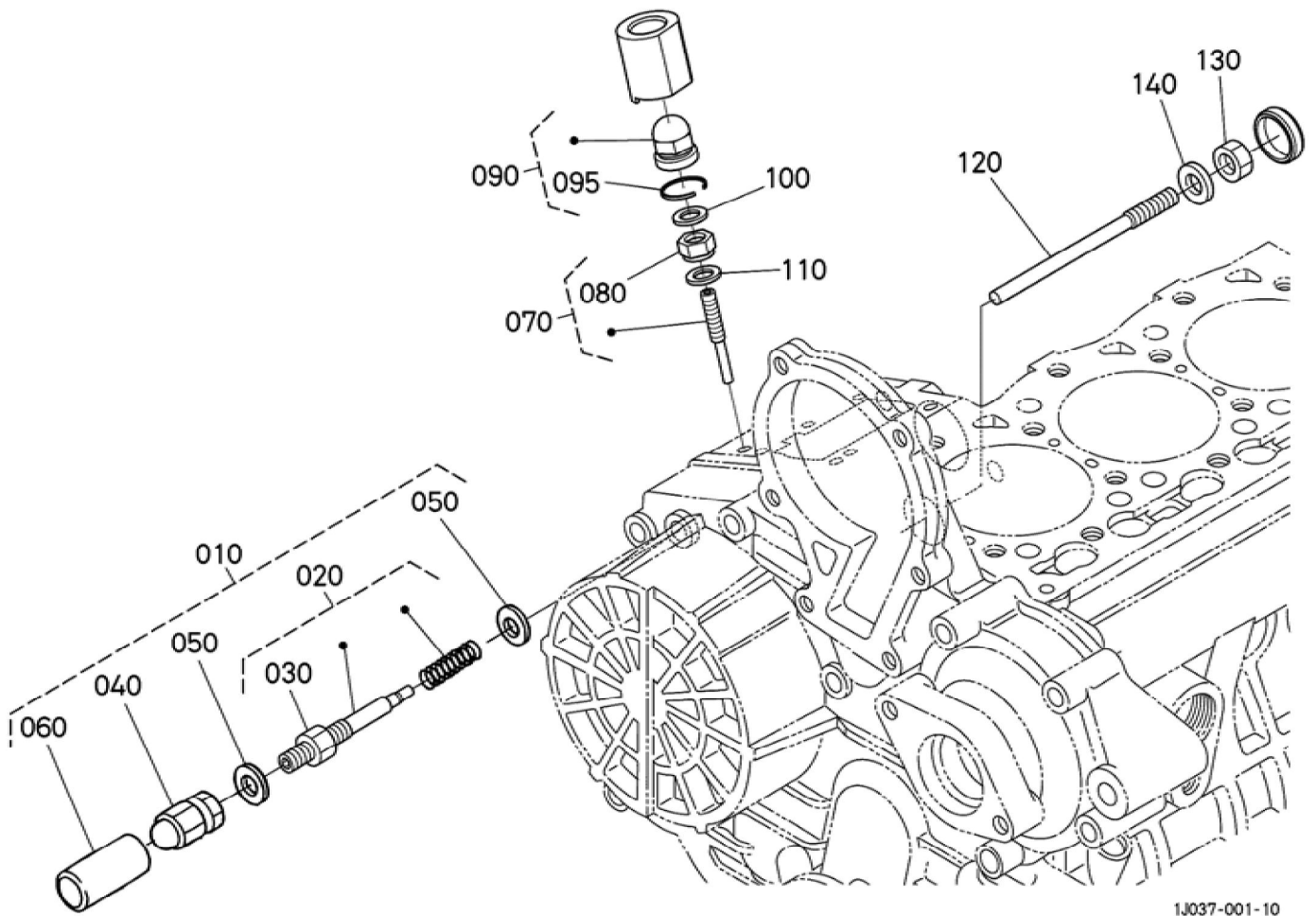
Update Date : 2019/12/25 Print Date : 2022/01/23

No.	Part Number	Part Name (POL)	Part Name (ENG)	QTY	IC	Serial No./PIN	Kg	Remarks
010	16020-16172	NOCKENWELLE	CAMSHAFT,FUEL	1			0.320	
020	16261-97300	KUGELLAGER	BEARING,BALL	1			0.044	
030	16261-97330	KUGELLAGER	BEARING,BALL	1			0.102	
040	16241-51114	NOCKEN	CAM,FUEL	1			0.196	
050	01023-50612	BOLZEN	BOLT,SEMS	3			0.005	
060	1J050-92330	MUTTER	NUT	1			0.021	
070	1G065-51150	ZAHNRAD	GEAR,INJECTION PUMP	1			0.490	
080	16241-95230	SCHEIBENKEIL	KEY,WOODRUFF	1			0.001	
090	16241-16320	STOPFENNOCKENWELLE	STOPPER,FUEL.C/SHAFT	1			0.040	
100	01023-50616	BOLZEN	BOLT,SEMS	2			0.006	
110	16265-55019	GRP.ACHSE	ASSY SHAFT,GOVERNOR	1			1.120	
120	16241-55392	HALTER	HOLDER,GOVERNOR GEAR	1			0.340	
130	16282-55320	REGLERZAHNRAD	GEAR,GOVERNOR	1			0.240	
140	16241-55270	HALTER,GEWICHT	HOLDER,GOV.WEIGHT	1			0.085	
150	16241-55064	GEWICHT KOMP.	COMP.WEIGHT,GOVERNOR	2			0.085	
160	16241-55260	WELLE	SHAFT,GOV.WEIGHT	2			0.013	
170	19484-55440	ROLLE	ROLLER	2			0.005	
180	16241-55450	REGLERMUFFE	SLEEVE,GOVERNOR	1			0.040	
190	16241-55463	DRUCKSCHEIBE	WASHER,THRUST	1			0.005	
200	16261-97320	KUGELLAGER	BALL BEARING	1			0.140	
210	16271-55410	SPRENGRING	CIR CLIP,GOV.SHAFT	1			0.005	

Update Date : 2019/12/25 Print Date : 2022/01/23

No.	Part Number	Part Name (POL)	Part Name (ENG)	QTY	IC	Serial No./PIN	Kg	Remarks
220	16241-55554	ANSCHLAGS CHRAUBE	SCREW,SET	1			0.007	

Update Date : 2019/12/25 Print Date : 2022/01/23



1J037-001-10



Suggest:

For more complete manuals. Please go to the home page.

<https://www.ebooklibonline.com>

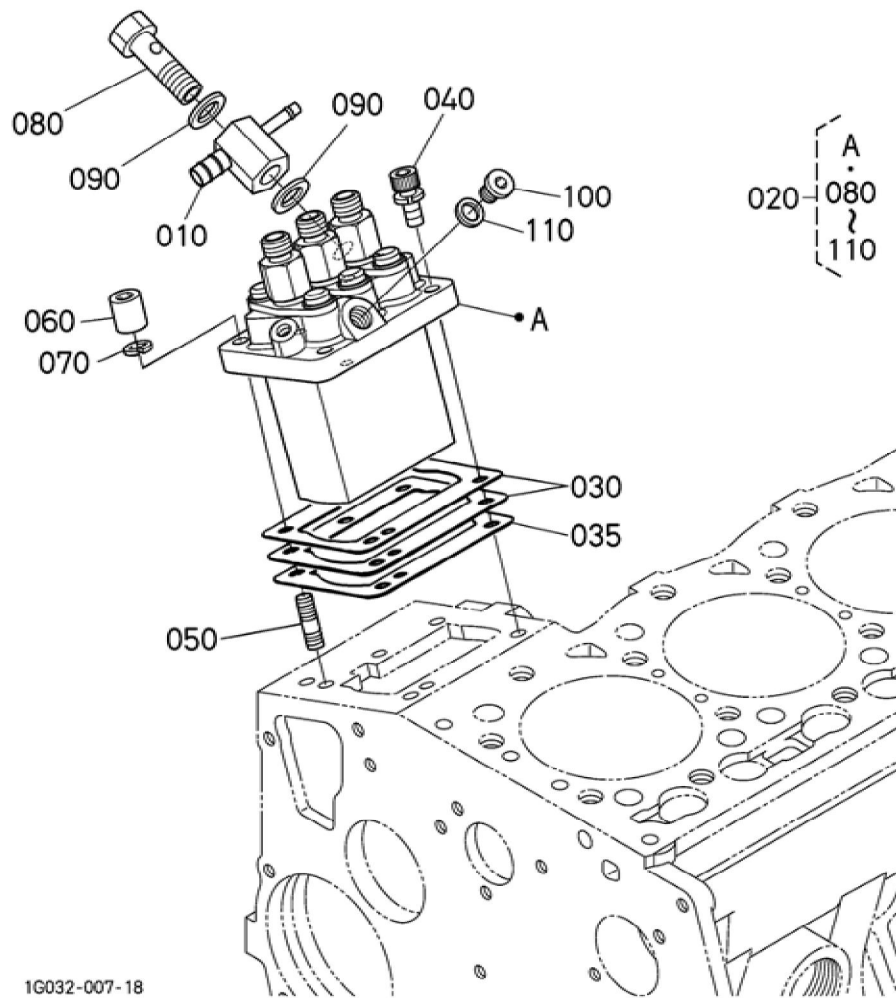
If the above button click is invalid. Please download this document first, and then click the above link to download the complete manual.

Thank you so much for reading

Update Date : 2019/12/25 Print Date : 2022/01/23

No.	Part Number	Part Name (POL)	Part Name (ENG)	QTY	IC	Serial No./PIN	Kg	Remarks
010	16271-54093	ADAPTER	APPARATUS, FUEL LIMIT	1			0.029	
020	16241-54103	BOLZEN, FEINEINSTE LUNG KOMP.	ASSY BOLT,ADJUS TING	1			0.008	
030	15841-92020	MUTTER	NUT	1			0.004	
040	15852-92330	MUTTER	NUT	1			0.005	
050	15601-96650	DICHTUNGSP LATTE	PACKING	2			0.001	
060	16221-54420	KAPPE	CAP	1			0.001	
070	1J097-54350	BOLZEN	BOLT,ASSY (ADJUSTING)	1			0.007	
080	1J094-54210	MUTTER	NUT(LOCK)	1			0.003	
090	1J097-54380	UEBERWURF MUTTER.KO MP.	NUT,CAP,ASS Y	1			0.006	
095	1J094-54280	SPRENGRIN G	CIRCLIP,INT	1			0.001	
100	15601-96650	DICHTUNGSP LATTE	PACKING	1			0.001	
110	15601-96650	DICHTUNGSP LATTE	PACKING	1			0.001	
120	1G053-54150	BOLZEN	BOLT	1			0.009	
130	02056-50060	MUTTER	HEX.NUT	1			0.002	
140	15601-96650	DICHTUNGSP LATTE	PACKING	1			0.001	

Update Date : 2019/12/25 Print Date : 2022/01/23



1G032-007-18

<https://www.ebooklibonline.com>

Hello dear friend!

Thank you very much for reading.

Enter the link into your browser.

The full manual is available for immediate download.

<https://www.ebooklibonline.com>