

Update Date : 2019/05/23 Print Date : 2022/01/23

B1241D-EC-F






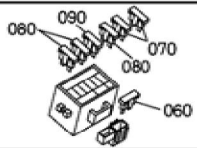

























FJITB-203-10




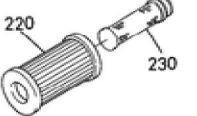
Item	Capacity	Change Interval
Engine Oil	3.1L	after the first 50 hours of operation. Every 200 hours
Engine Oil Filter		after the first 50 hours of operation. Every 200 hours




■ ELECTRICAL PARTS

 010	 020	 030	 040	 050										
			 100	 110	<table border="1"> <thead> <tr> <th>HEAD</th> <th>TAIL</th> </tr> </thead> <tbody> <tr> <td> 120</td> <td> 130</td> </tr> </tbody> </table>	HEAD	TAIL	 120	 130					
HEAD	TAIL													
 120	 130													
<table border="1"> <thead> <tr> <th>TURN/HAZARD</th> <th>REAR</th> <th>POSITION</th> <th>TURN/HAZARD</th> <th>PANEL</th> </tr> </thead> <tbody> <tr> <td> 140 REAR</td> <td> 150 LICENCE</td> <td> 160 FRONT</td> <td> 170 . FRONT</td> <td> 180</td> </tr> </tbody> </table>	TURN/HAZARD	REAR	POSITION	TURN/HAZARD	PANEL	 140 REAR	 150 LICENCE	 160 FRONT	 170 . FRONT	 180				
TURN/HAZARD	REAR	POSITION	TURN/HAZARD	PANEL										
 140 REAR	 150 LICENCE	 160 FRONT	 170 . FRONT	 180										





■ FILTERS / ELEMENTS

ENGINE	FUEL	SUCTION	AIR CLEANER
 190	 200	 210	 220 230

■ BELT

FAN				
 240				

■ OTHERS

 250	 260	 270	 280		
--	---	--	--	--	--

Update Date : 2019/05/23 Print Date : 2022/01/23

No.	Part Number	Part Name (POL)	Part Name (ENG)	QTY	IC	Serial No./PIN	Kg	Remarks
010	6C040-55412	ANLASSERS CHALTER	SWITCH, STARTER	1			0.190	
020	3C001-75040	WARNBLINKS CHALTER	SWITCH,HAZ ARD	1			0.015	
030	15248-63700	ZUENDSCHL UESSEL	KEY,STARTE R	1			0.034	2P/SET
040	6A700-30810	KOMBINATIO NSCHALTER	SWITCH,CON BI	1			0.050	
050	15321-73016	GRP.THERM OSTAT	ASSY THERMOSTA T	1			0.070	
060	T1065-30430	SICHERUNG	FUSE	1			0.001	5A
070	5H050-41620	SICHERUNG	FUSE	2			0.003	10A
080	5H050-41640	SICHERUNG	FUSE (20A,AUTO)	3			0.001	20A
090	5H050-41660	SICHERUNG	FUSE,AUTO (30A)	1			0.001	30A
100	15531-39014	OELDRUCKS CHALTER	W-SWITCH OIL PRESSURE	1			0.032	
110	17478-60080	SICHERUNG	FUSE	1			0.008	50A
120	6C392-54170	GLUEHBIRNE	BULB,FLASH ER	2			0.022	35W
130	3C081-75920	GLUEHBIRNE	BULB	2			0.015	21W
140	3C081-75910	GLUEHBIRNE	BULB	2			0.015	21/5W
150	TA049-30030	GLUEHBIRNE	BULB	1			0.010	10W
160	T1880-99110	GLUEHBIRNE	BULB (12V21W)	2			0.020	21W
170	T1880-99140	GLUEHBIRNE	BULB(12V5W)	2			0.010	5W
180	6A700-30270	GLUEHBIRNE	LAMP	13			0.002	1.7W
190	HH150-32094	OELFILTERP ATRONE	CARTRIDGE OIL FILTER	1			0.300	
200	6A320-59930	DRUCKFILTE R	FILTER	1			0.025	
210	HH670-37710	OELFILTERP ATRONE	FILTER (OIL,CARTRID GE)	1			0.370	
220	6C060-99410	ELEMENT,KO MP.	ASSY ELEMENT	1			0.240	
230	32721-58242	ELEMENT, INNEN	ELEMENT,IN NER	1			0.070	

Update Date : 2019/05/23 Print Date : 2022/01/23

No.	Part Number	Part Name (POL)	Part Name (ENG)	QTY	IC	Serial No./PIN	Kg	Remarks
240	1G879-97012	KEILRIEMEN	BELT,FAN	1			0.300	
250	6C040-58630	SCHLAUCH	HOSE,WATE R	1			0.095	
260	6C300-58570	SCHLAUCH	HOSE,WATE R	1			0.162	
270	6A320-58406	AUSPUFF KOMP.	COMP.MUFFL ER	1			1.970	
280	3C001-17110	KUEHLERVE RSCHLUSS	ASSY CAP,RADIAT OR	1			0.040	

<https://www.ebooklibonline.com>

Hello dear friend!

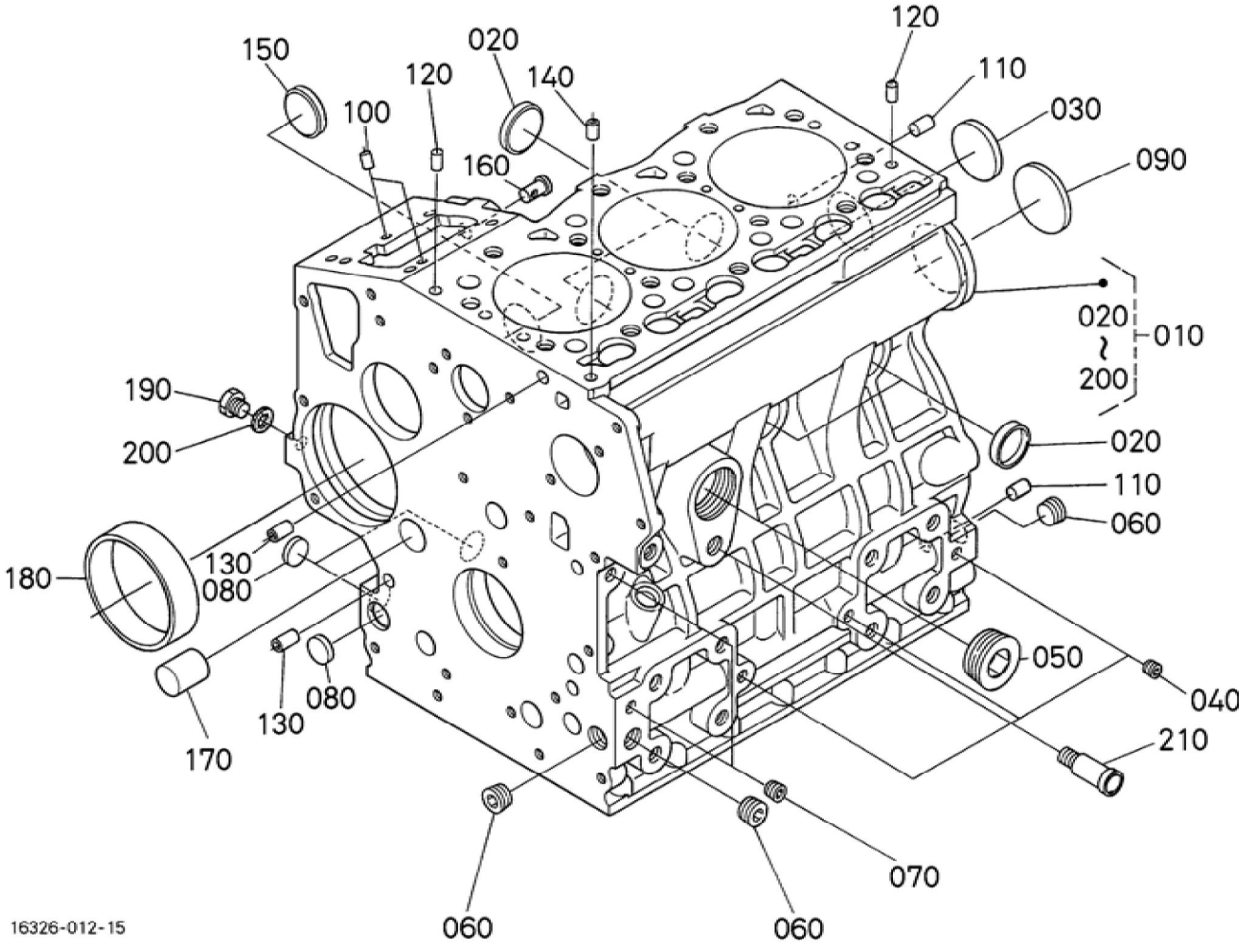
Thank you very much for reading.

Enter the link into your browser.

The full manual is available for immediate download.

<https://www.ebooklibonline.com>

Update Date : 2019/05/23 Print Date : 2022/01/23

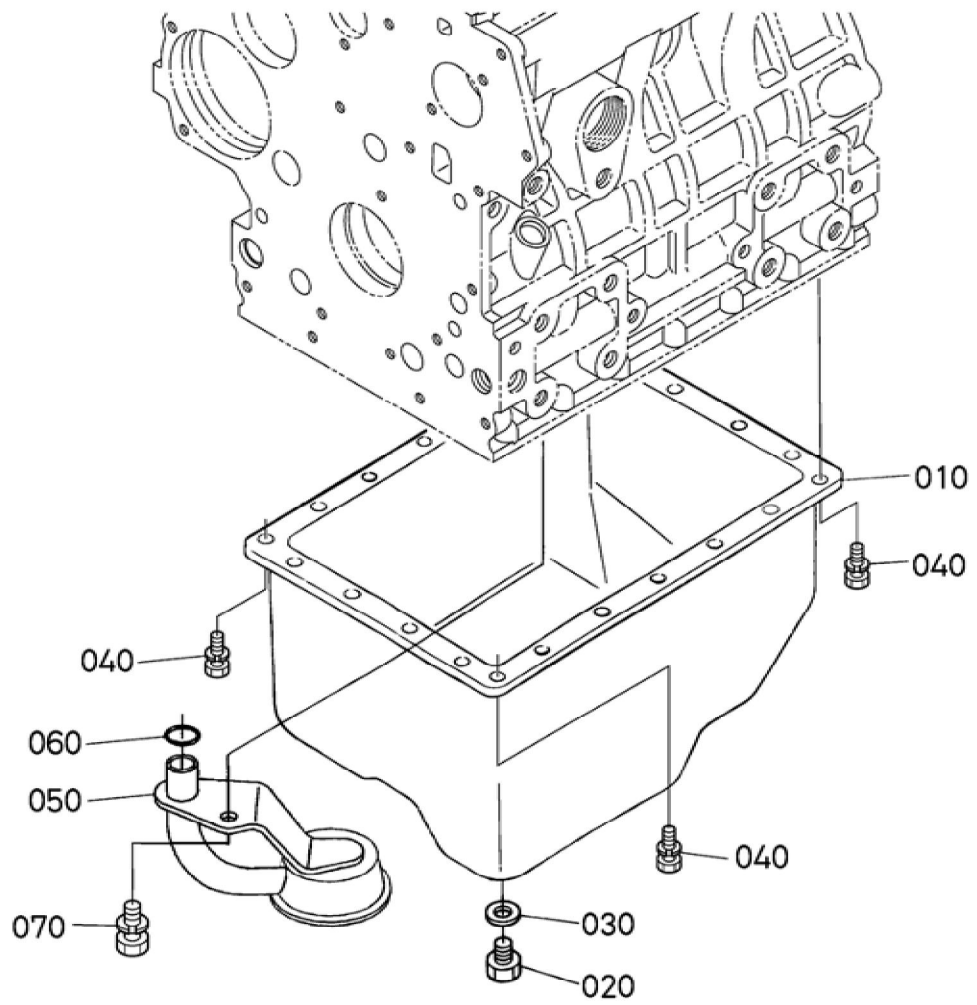


16326-012-15

BKIDA5131 >> B1241D-EC-F >> MOTOR / ENGINE >> 000100 KURBELGEHAEUSE / CRANKCASE

Update Date : 2019/05/23 Print Date : 2022/01/23

No.	Part Number	Part Name (POL)	Part Name (ENG)	QTY	IC	Serial No./PIN	Kg	Remarks
010	1G694-01012	KOMP.KURBELGEHAEUSE	COMP.CRANKCASE	1			31.000	
020	15451-96270	KAPPE	CAP,SEALING	4			0.010	
030	15221-03490	STOPFEN	CAP,SEALING	1			0.020	
040	15261-96010	STOPFEN	PLUG	3			0.002	
050	16683-96020	STOPFEN	PLUG	1			0.088	
060	16241-96010	STOPFEN	PLUG	3			0.007	
070	15521-96020	STOPFEN	PLUG	2			0.003	
080	17391-96160	STOPFEN	PLUG,EXPANSION	3			0.003	
090	16271-96160	STOPFEN	PLUG,EXPANSION	1			0.025	
100	05012-00508	ZYLINDERSTIFT	PIN,STRAIGHT	2			0.001	
110	05012-00814	ZYLINDERSTIFT	PIN,STRAIGHT	2			0.006	
120	05012-00610	ZYLINDERSTIFT	PIN,STRAIGHT	2			0.003	
130	15231-33960	ROHRSTIFT	PIN,PIPE	2			0.001	
140	16241-33650	ROHRSTIFT	PIN,PIPE	1			0.002	
150	16241-96262	STOPFEN	PLUG,FUEL CAMSHAFT	1			0.007	
160	16261-56280	STARTFEDERSTIFT	PIN(START SPRING)	1			0.004	
170	16282-96010	STOPFEN	PLUG	1			0.090	
180	16271-55350	BUCHSE	BUSHING (GEAR,GOVERNOR)	1			0.060	
190	1G896-33610	BOLZEN	PLUG	1			0.008	
200	15021-33660	DICHTUNGSPLATTE	PACKING	1			0.001	
210	15321-73340	WASSERROHR	PIPE(WATER RETURN)	1			0.016	

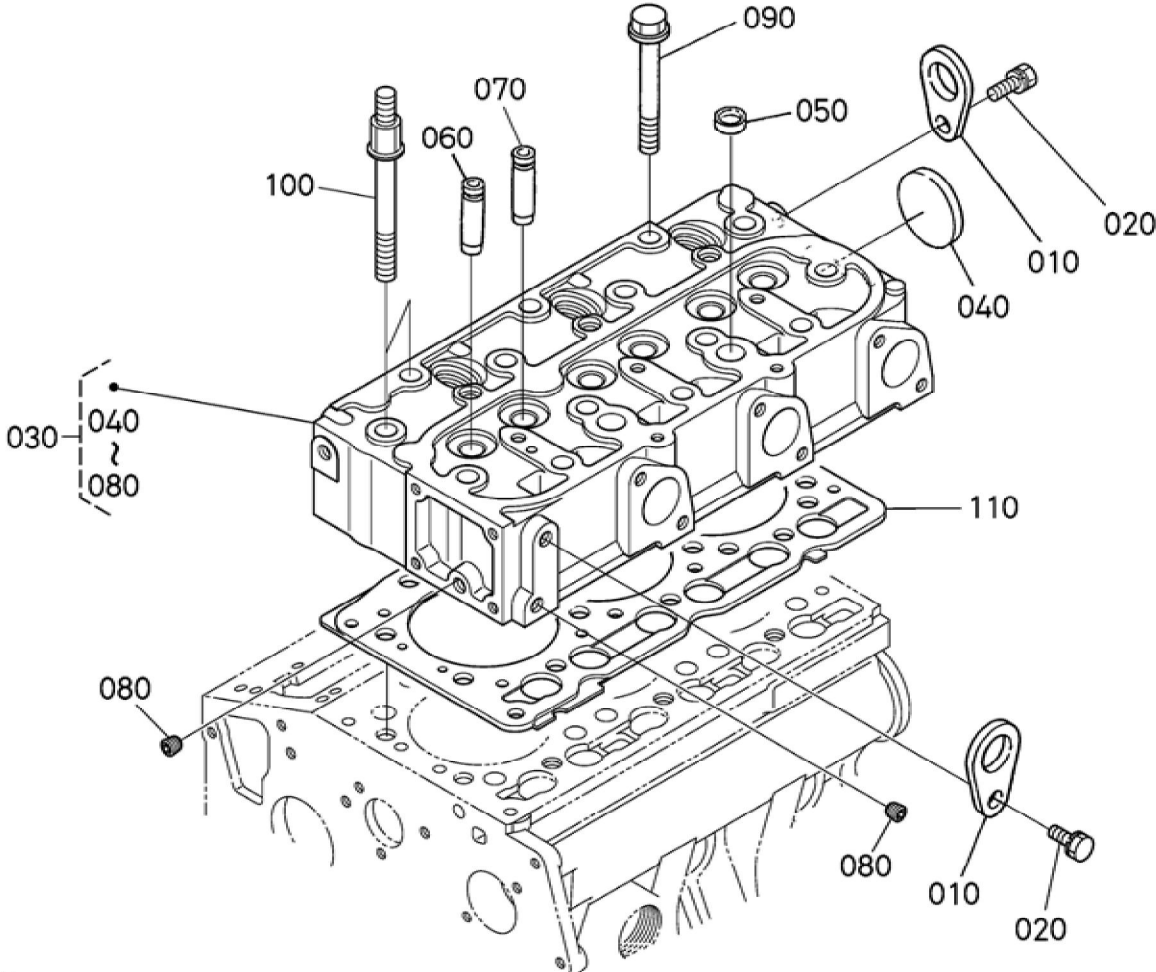


1G061-022-10

BKIDA5131 >> B1241D-EC-F >> MOTOR / ENGINE >> 000200 OELWANNE / OIL PAN

Update Date : 2019/05/23 Print Date : 2022/01/23

No.	Part Number	Part Name (POL)	Part Name (ENG)	QTY	IC	Serial No./PIN	Kg	Remarks
010	6C040-58920	KOMP.OELW ANNE	COMP.OIL PAN	1			1.200	
020	13901-33750	ENTLEERUN GSSTOPFEN	PLUG,DRAIN	1			0.025	
030	6C090-58960	DICHTUNGSP LATTE	GASKET	1			0.005	
040	01023-50614	BOLZEN	BOLT,SEMS	22			0.005	
050	16261-32117	OELFILTER	FILTER,OIL	1			0.210	
060	04814-00160	O RING	O RING	1			0.001	
070	01123-50816	BOLZEN	BOLT,SEMS	1			0.011	



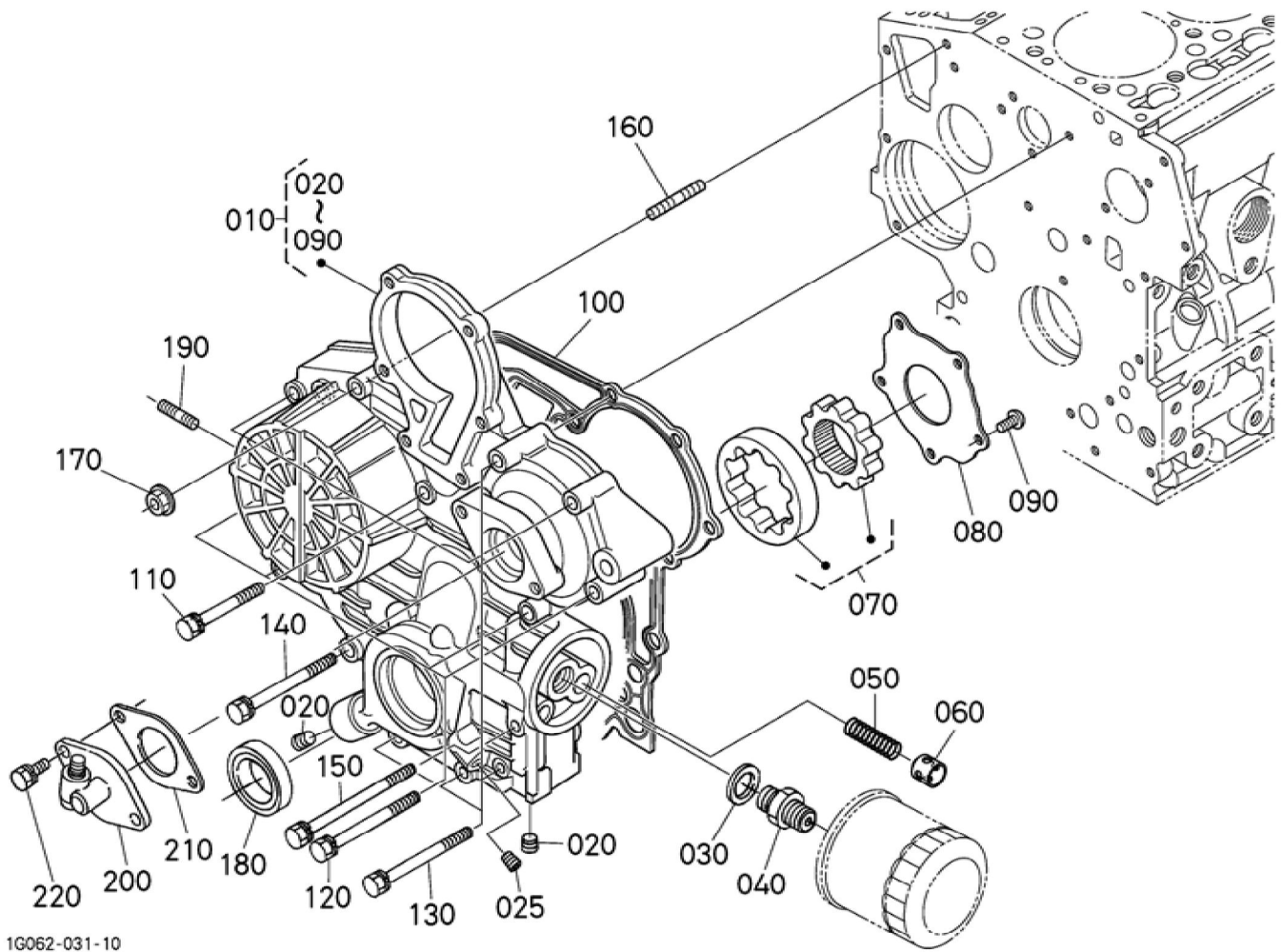
1G041-003-11

BKIDA5131 >> B1241D-EC-F >> MOTOR / ENGINE >> 000300 ZYLINDERKOPF / CYLINDER HEAD

Update Date : 2019/05/23 Print Date : 2022/01/23

No.	Part Number	Part Name (POL)	Part Name (ENG)	QTY	IC	Serial No./PIN	Kg	Remarks
010	15221-01750	MOTORHAKE N	HOOK,ENGINE	2			0.040	
020	01123-50814	BOLZEN	BOLT,SEMS	2			0.010	
030	1J096-03040	KOMP.ZYLIN DERKOPF	HEAD,CYL,C OMP	1			9.300	
040	15321-96260	KAPPE	CAP,SEALING	1			0.014	
050	15261-03370	STOEPSEL,A BDICHTUNG	CAP,SEALING	2			0.005	
060	16261-13540	EINLASSVEN TILFUEHRUN G	GUIDE,INLET VALVE	3			0.020	
070	16261-13560	AUSLASSVEN TILFUEHRUN G	GUIDE,EXHA UST VALVE	3			0.019	
080	15261-96010	STOPFEN	PLUG	2			0.002	
090	16241-03450	ZYLINDERKO PFSCHRAUB E	BOLT,HEAD (CYLINDER)	12			0.050	
100	16216-03450	ZYLINDERKO PFSCHRAUB E	BOLT,CYLIND ER HEAD	2			0.070	
110	1G063-03310	ZYLINDERKO PFDICHTUNG	GASKET (HEAD,CYL)	1			0.160	

Update Date : 2019/05/23 Print Date : 2022/01/23

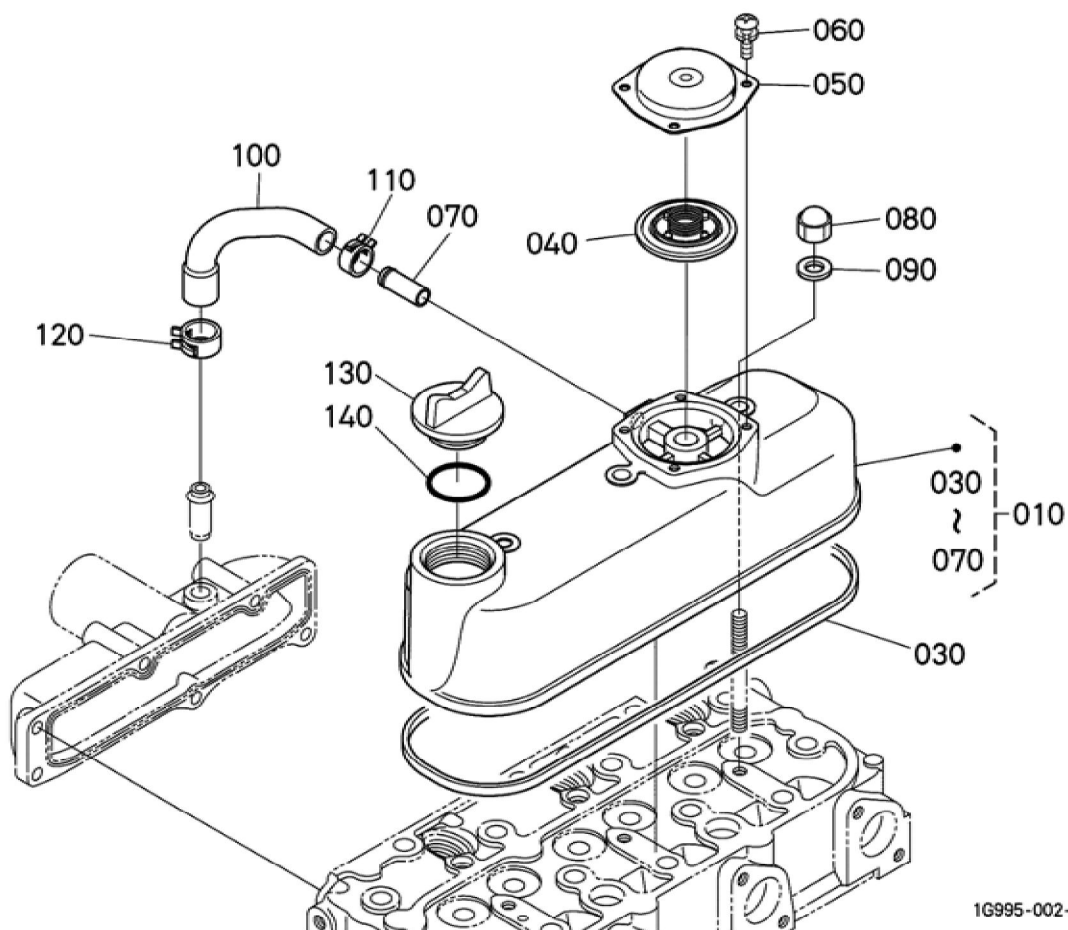


BKIDA5131 >> B1241D-EC-F >> MOTOR / ENGINE >> 000400 GETRIEBE GEHAEUSE / GEAR CASE

Update Date : 2019/05/23 Print Date : 2022/01/23

No.	Part Number	Part Name (POL)	Part Name (ENG)	QTY	IC	Serial No./PIN	Kg	Remarks
010	16252-04024	KMP.GETRIEBE GEHAEUSE	COMP.CASE, GEAR	1			2.460	
020	16241-96020	STOPFEN	PLUG	2			0.015	
025	16261-96010	STOPFEN	PLUG	1			0.002	
030	04011-50180	SCHEIBE	WASHER,PLAIN	1			0.012	
040	15241-32290	VERBINDUNG SSTUECK	JOINT,PIPE	1			0.053	
050	1J050-36950	FEDER	SPRING	1			0.004	
060	1J050-36930	UEBERLAUFV ENTIL	VALVE (RELIEF)	1			0.005	
070	1J050-35070	ROTOR KOMP.	ROTOR,ASSY (OIL PUMP)	1			0.244	
080	1J050-35132	DECKEL, OELPUMPE	COVER(OIL PUMP)	1			0.085	
090	03017-50614	SCHRAUBE	SCREW,BINDI NG(PHILLIPS)	5			0.005	
100	16264-04132	DICHTUNG	GASKET,GEA R CASE	1			0.010	
110	01023-50645	BOLZEN	BOLT,SEMS	3			0.010	
120	01023-50650	BOLZEN	BOLT,SEMS	4			0.012	
130	01023-50655	BOLZEN	BOLT,SEMS	4			0.012	
140	01023-50665	BOLZEN	BOLT,SEMS	1			0.015	
150	16241-91040	BOLZEN	BOLT	1			0.015	
160	16245-91530	STEBOLZEN	STUD	1			0.010	
170	02751-50060	MUTTER	NUT,FLANGE	1			0.005	
180	16241-04212	OELDICHTUN GSRING	SEAL,OIL	1			0.012	
190	16245-91540	STEBOLZEN	STUD	2			0.005	
200	58417-25950	GRP.GETRIEBE GEHAEUSE	ASSY GEAR CASE,H/M	1			0.290	
210	16264-88130	DICHTUNG	GASKET,H/M ETER UNIT	1			0.002	
220	01023-50618	BOLZEN	BOLT,SEMS	2			0.006	

Update Date : 2019/05/23 Print Date : 2022/01/23

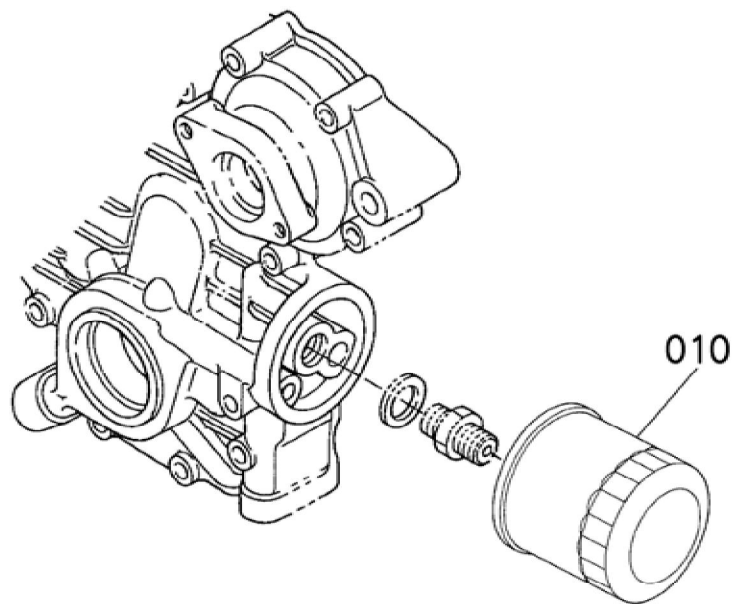


1G995-002-22

Update Date : 2019/05/23 Print Date : 2022/01/23

No.	Part Number	Part Name (POL)	Part Name (ENG)	QTY	IC	Serial No./PIN	Kg	Remarks
010	1G032-14508	ZYLINDERKOPFHAUBE	ASSY COVER,CYL. HEAD	1		<=1HTZ999	0.750	
010	1G032-14509	DECKEL OBEN,KOMP.	ASSY COVER,CYL. HEAD	1	>>	>=1HU0001	0.780	
030	16261-14524	VENTILDECKELDICHUNG	GASKET,HEAD COVER	1			0.010	
040	1G911-05203	ENTLUEFTER	COMP VALVE,BREATHER	1			0.010	
050	1G801-05120	ENTLUEFTERDECKEL	COVER,BREATHER	1			0.035	
060	03024-50510	SCHRAUBE	SCREW,SEMS(PAN HEAD)	4			0.002	
070	17331-73342	WASSERROHR	PIPE,WATER RETURN	1			0.010	
080	15952-92330	MUTTER	NUT,CAP	3			0.010	
090	15951-96660	DICHTUNGSPLATTE	PACKING	3			0.001	
100	1G032-05510	ENTLUEFTUNGSROHR	TUBE,BREATHER	1			0.017	
110	09318-88150	SCHLAUCHBINDER	CLAMPHOSE	1			0.004	
120	16259-05580	SCHLAUCHBINDER	BAND,PIPE	1			0.030	
130	E9151-33140	OELEINFUELLSTOPFEN	PLUG(OIL FILLER)	1			0.017	
140	1J001-96770	O RING	O RING	1			0.001	

Update Date : 2019/05/23 Print Date : 2022/01/23



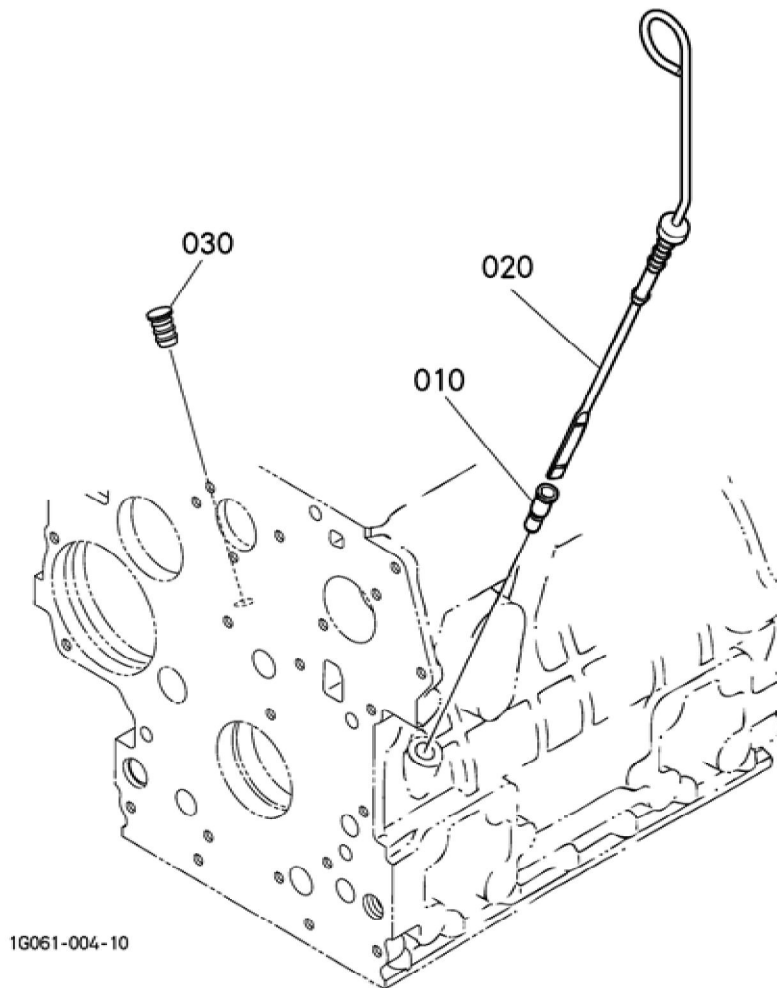
16615-003-11

BKIDA5131 >> B1241D-EC-F >> MOTOR / ENGINE >> 000600 OELFILTER / OIL FILTER

Update Date : 2019/05/23 Print Date : 2022/01/23

No.	Part Number	Part Name (POL)	Part Name (ENG)	QTY	IC	Serial No./PIN	Kg	Remarks
010	HH150-32094	OELFILTERP ATRONE	CARTRIDGE OIL FILTER	1			0.300	

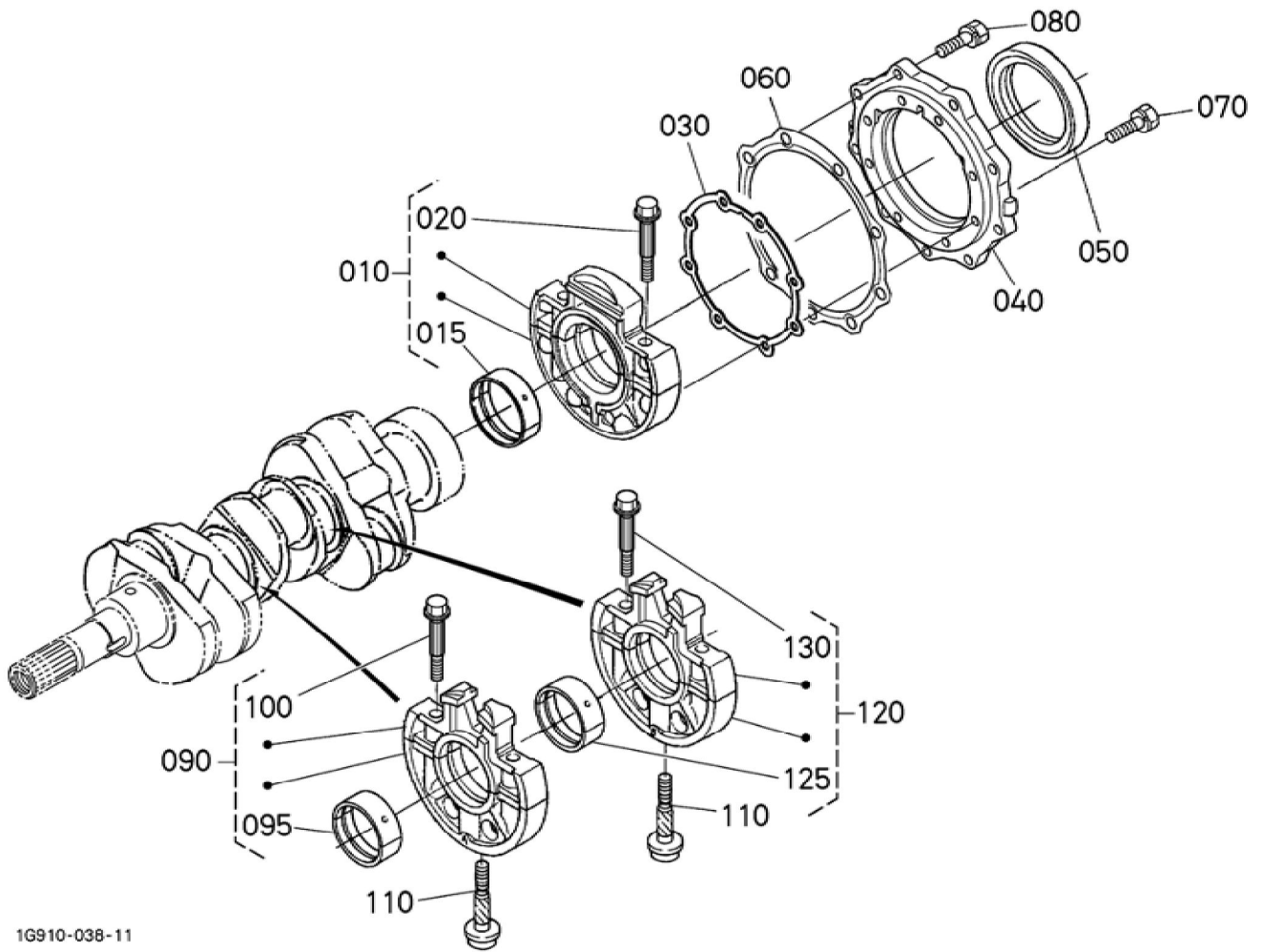
Update Date : 2019/05/23 Print Date : 2022/01/23



Update Date : 2019/05/23 Print Date : 2022/01/23

No.	Part Number	Part Name (POL)	Part Name (ENG)	QTY	IC	Serial No./PIN	Kg	Remarks
010	16809-36420	FUEHRUNG, OELMESSST AB	GUIDE (GAUGE,OIL)	1			0.028	
020	16210-36410	OELMESSST AB UND FUEHRUNG	GAUGE,OIL	1			0.040	
030	1G513-36550	STOPFEN, OELMESSST AB	PLUG,OIL GAUGE	1			0.004	

Update Date : 2019/05/23 Print Date : 2022/01/23

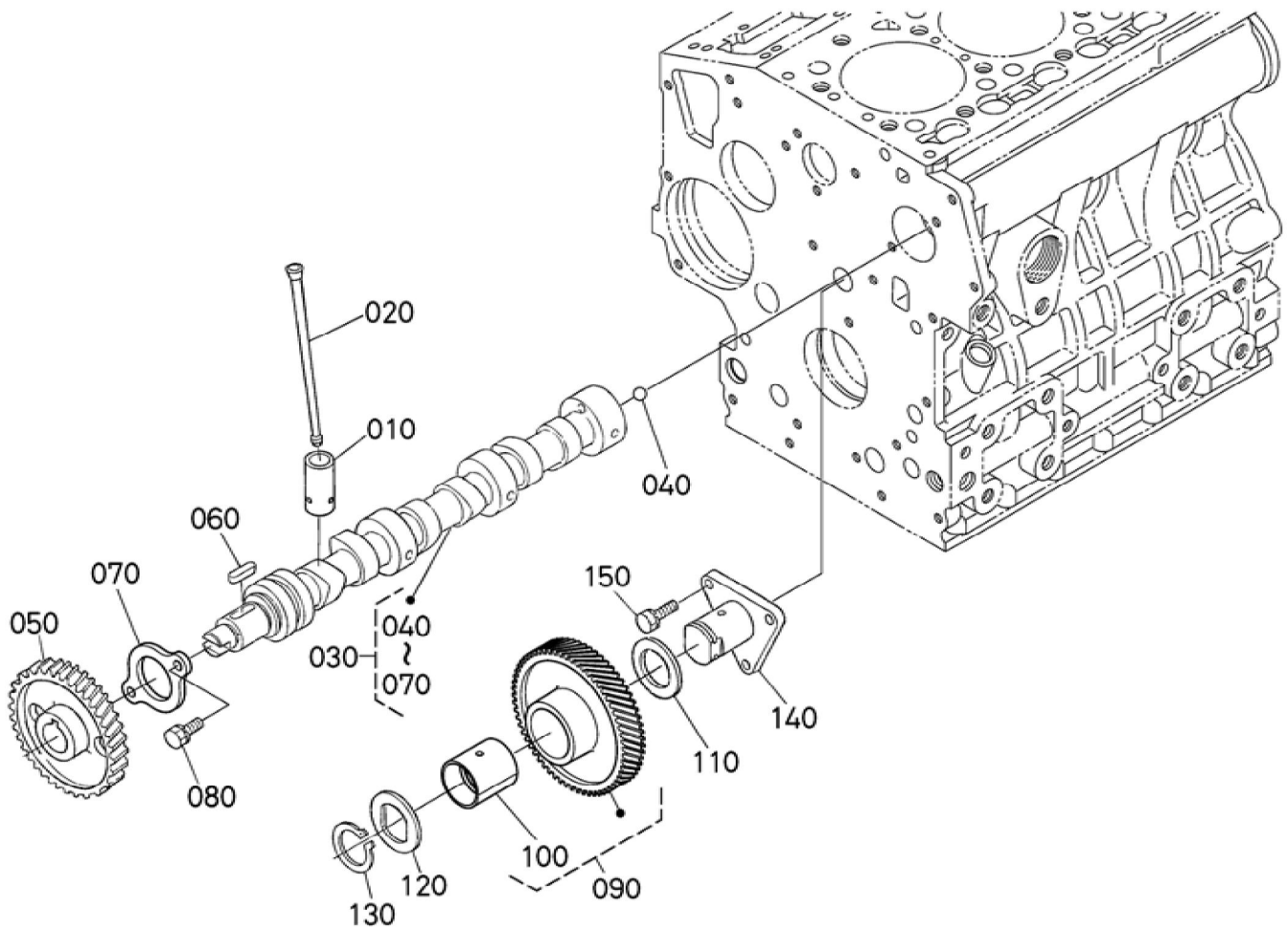


1G910-038-11

Update Date : 2019/05/23 Print Date : 2022/01/23

No.	Part Number	Part Name (POL)	Part Name (ENG)	QTY	IC	Serial No./PIN	Kg	Remarks
010	16292-07095	GRP.LAGERGEHAEUSE	CASE,BRG,ASSY(WHEEL)	1		<=1HFZ999	1.100	
010	16292-07097	LAGERGEHAEUSE,KOMP.	ASSY BRG CASE	1	>>	>=1HG0001	1.100	
015	16292-23494	LAGERSCHAULE	METAL,CRANKSHAFT	1			0.070	STD SET
020	16241-04540	BOLZEN,LAGERKASTEN	BOLT,BEARING CASE	2			0.020	
030	1J095-04360	DICHTUNG,LAGER	GASKET (BRG.CASE)	1			0.006	
040	16241-04815	DECKEL,LAGERKASTEN	COVER (CASE,BRG)	1			0.220	
050	16285-04460	DELDICHTUNGSRING	SEAL,OIL	1			0.003	
060	16264-04822	DICHTUNG	GASKET	1			0.008	
070	1G679-91010	BOLZEN	BOLT	8		<=1HFZ999	0.007	
070	1G679-91012	BOLZEN	BOLT	8	NI	>=1HG0001	0.007	
080	1G679-91020	BOLZEN	BOLT	9		<=1HFZ999	0.006	
080	1G679-91022	BOLZEN	BOLT	9	NI	>=1HG0001	0.006	
090	16261-07047	GRP.LAGERGEHAEUSE	ASSY BRG.CASE,MAIN	1			0.860	
095	16292-23483	LAGERSCHAULE	METAL,CRANKSHAFT	1			0.050	STD SET
100	16241-04540	BOLZEN,LAGERKASTEN	BOLT,BEARING CASE	2			0.020	
110	16241-04560	BOLZEN,LAGERKASTEN	BOLT (CASE,BRG)	2			0.030	
120	16261-07057	GRP.LAGERGEHAEUSE	ASSY BRG.CASE,MAIN	1			0.800	
125	16292-23483	LAGERSCHAULE	METAL,CRANKSHAFT	1			0.050	STD SET
130	16241-04540	BOLZEN,LAGERKASTEN	BOLT,BEARING CASE	2			0.020	

Update Date : 2019/05/23 Print Date : 2022/01/23

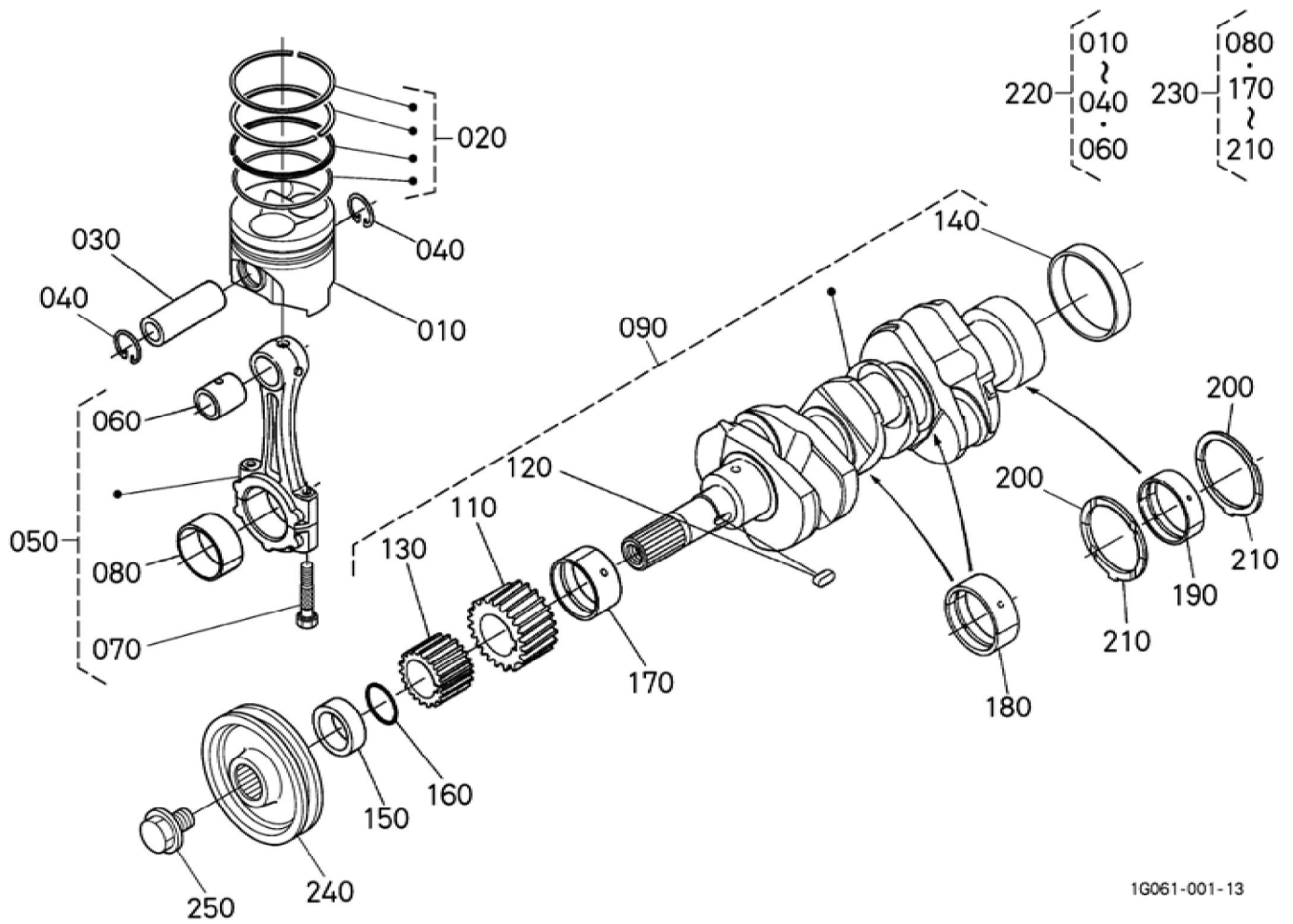


1G910-034-11

Update Date : 2019/05/23 Print Date : 2022/01/23

No.	Part Number	Part Name (POL)	Part Name (ENG)	QTY	IC	Serial No./PIN	Kg	Remarks
010	1G673-15550	STOESSEL	TAPPET	6			0.035	
020	16241-15114	STOESSELSTANGE	PUSH ROD	6			0.028	
030	1J033-16010	GRP.NOCKENWELIE	CAMSHAFT,ASSY	1			1.555	
040	07715-00401	KUGEL	BALL 1/4	1			0.001	
050	16241-16510	ZAHNRAD	GEAR,CAM	1			0.450	
060	05712-00518	KEIL	FEATHER KEY	1			0.003	
070	1J097-16270	NOCKENWELLE SPERRPLATTE	STOPPER (CAMSHAFT)	1			0.030	
080	01023-50616	BOLZEN	BOLT,SEMS	2			0.006	
090	16251-24012	ZAHNRAD KOMP.	COMP GEAR,IDLE	1			0.630	
100	1G910-24980	BUCHSE	BUSH,IDLE GEAR	1			0.028	
110	16251-24360	HUELSE	COLLAR(IDLE GEAR)	1			0.012	
120	15741-24370	HUELSE	COLLAR(IDLE GEAR)	1			0.015	
130	15741-24320	SEEGERING	CIR CLIP,IDLE GEAR	1			0.010	
140	16251-24250	WELLE	SHAFT,IDLE GEAR	1			0.360	
150	01023-50616	BOLZEN	BOLT,SEMS	3			0.006	

Update Date : 2019/05/23 Print Date : 2022/01/23



1G061-001-13

Update Date : 2019/05/23 Print Date : 2022/01/23

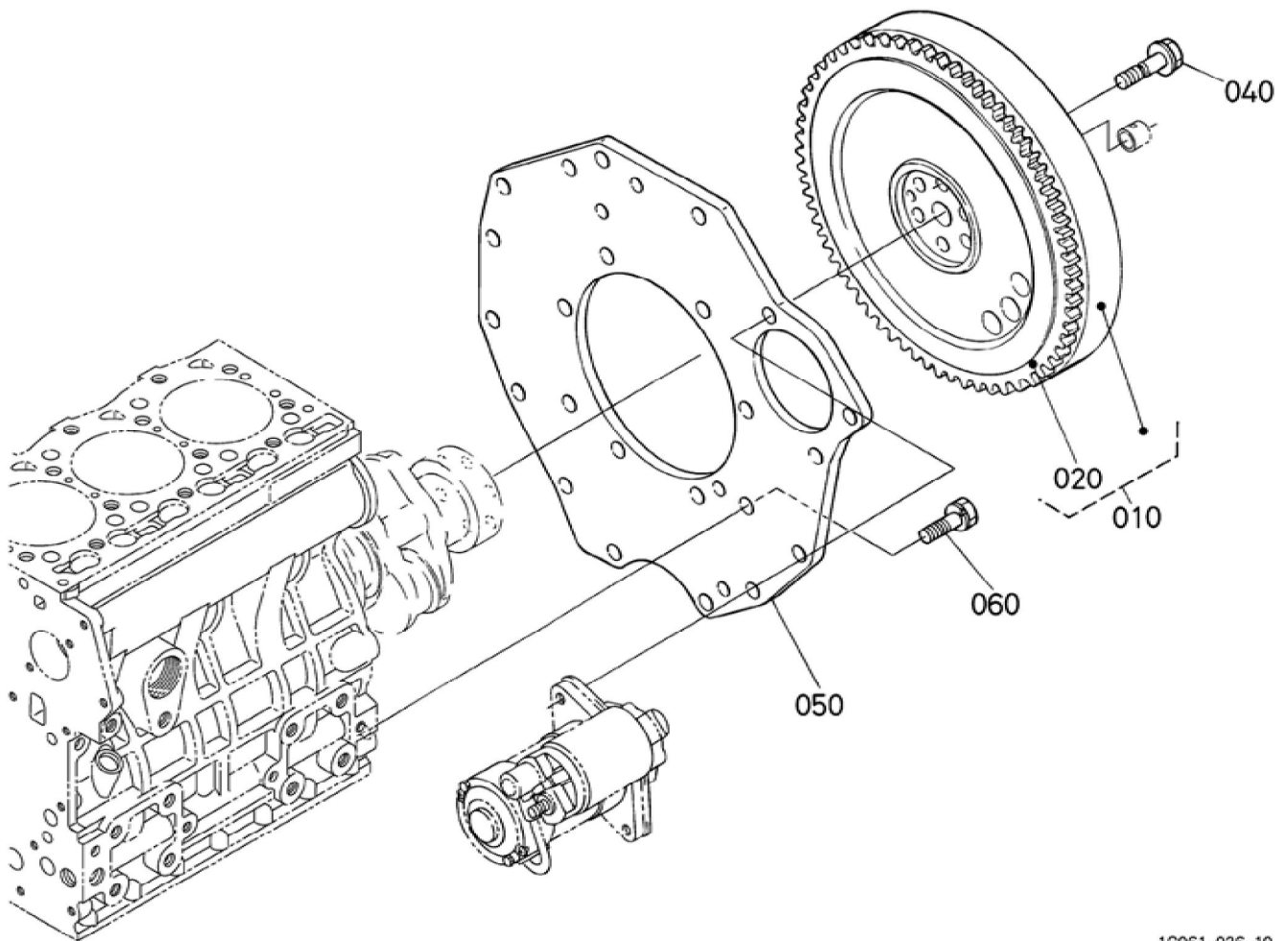
No.	Part Number	Part Name (POL)	Part Name (ENG)	QTY	IC	Serial No./PIN	Kg	Remarks
010	1J097-21110	KOLBEN	PISTON	3			0.414	STD
010	1J097-21910	KOLBEN	PISTON(05)	3			0.425	+0.50mm
020	1J050-21050	GRP.KOLBEN RING	RING,PISTON ,ASSY	3			0.040	STD
020	1J050-21090	GRP.KOLBEN RING	RING,PISTON ,ASSY 05	3			0.032	+0.50mm
030	16241-21310	KOLBENBOLZEN	PIN,PISTON	3			0.135	
040	16241-21330	SEEGERING	CIRCLIP (PIN,PISTON)	6			0.002	
050	16292-22016	GRP.PLEUEL STANGE	ROD,CONNE CTING,ASSY	3			0.526	
060	1G700-21980	BUCHSE,KOL BENSTIFT	BUSH,PISTO N PIN	3			0.010	
070	16241-22142	BOLZEN	BOLT (CONNECTIN G ROD)	6			0.024	
080	16292-22310	LAGERSCHA LE	METAL (PIN,CRANK)	3			0.040	STD SET
080	16292-22972	LAGERSCHA LE	METAL,CRAN KPIN	3			0.033	-0.20mm/SET
080	16292-22982	LAGERSCHA LE	METAL,CRAN KPIN	3			0.034	-0.40mm/SET
090	1G065-23013	BAUGRP.KUR BELWELLE	COMP.CRAN KSHAFT	1			8.610	
110	1A055-24110	ZAHNRAD	GEAR (CRANKSHAF T)	1			0.142	
120	16271-95230	KEIL	KEY	1			0.005	
130	1J050-35630	ZAHNRAD	GEAR(OIL PUMP DRIVE)	1			0.090	
140	16241-23280	MUFFE	SLEEVE,CRA NKSHAFT	1			0.060	
150	1G700-23250	HALSRING	COLLAR (CRANKSHAF T)	1			0.045	
160	04814-10280	O RING	RING	1			0.001	
170	16292-23473	LAGERSCHA LE	METAL (CRANKSHAF T)	1			0.046	STD
170	16292-23913	LAGERSCHA LE	METAL (CRANKSHAF T)	1			0.005	-0.20mm

Update Date : 2019/05/23 Print Date : 2022/01/23

No.	Part Number	Part Name (POL)	Part Name (ENG)	QTY	IC	Serial No./PIN	Kg	Remarks
170	16292-23923	LAGERSCHALE	METAL (CRANKSHAFT)	1			0.050	-0.40mm
180	16292-23483	LAGERSCHALE	METAL,CRANKSHAFT	2			0.050	STD SET
180	16292-23933	LAGERSCHALE	METAL,CRANKSHAFT	2			0.050	-0.20mm/SET
180	16292-23943	LAGERSCHALE	METAL,CRANKSHAFT	2			0.050	-0.40mm/SET
190	16292-23494	LAGERSCHALE	METAL,CRANKSHAFT	1			0.070	STD SET
190	16292-23864	LAGERSCHALE	METAL,CRANKSHAFT	1			0.050	-0.20mm/SET
190	16292-23874	LAGERSCHALE	METAL,CRANKSHAFT	1			0.050	-0.40mm/SET
200	15521-23533	LAGERSCHALE	METAL,SIDE	2			0.010	STD
200	15521-23953	LAGERSCHALE	METAL,SIDE	2			0.010	+0.20mm
200	15521-23963	LAGERSCHALE	METAL,SIDE	2			0.010	+0.40mm
210	19202-23543	LAGERSCHALE	METAL,SIDE	2			0.010	STD
210	19202-23973	LAGERSCHALE	METAL,SIDE	2			0.010	+0.20mm
210	19202-23983	LAGERSCHALE	METAL,SIDE	2			0.010	+0.40mm
220	1J097-21770	GRP.KOLBEN	PISTON,KIT (STD)	3			0.658	STD
220	1J097-21790	GRP.KOLBEN	PISTON,KIT (050)	3			0.668	+0.50mm
230	1G995-23755	LAGERSATZ	METAL,KIT (ENGINE)	1			0.325	STD
230	1G993-23765	LAGERSATZ	METAL,KIT (ENGINE)	1			0.320	- 0.20mm/+0.20mm
230	1G993-23775	LAGERSATZ	METAL,KIT (ENGINE)	1			0.490	- 0.40mm/+0.40mm
240	16261-74280	RIEMENSCHLEIBE	PULLEY,FAN DRIVE	1			1.000	

Update Date : 2019/05/23 Print Date : 2022/01/23

No.	Part Number	Part Name (POL)	Part Name (ENG)	QTY	IC	Serial No./PIN	Kg	Remarks
250	16241-91020	BOLZEN	BOLT(FAN DRIVE)	1			0.100	

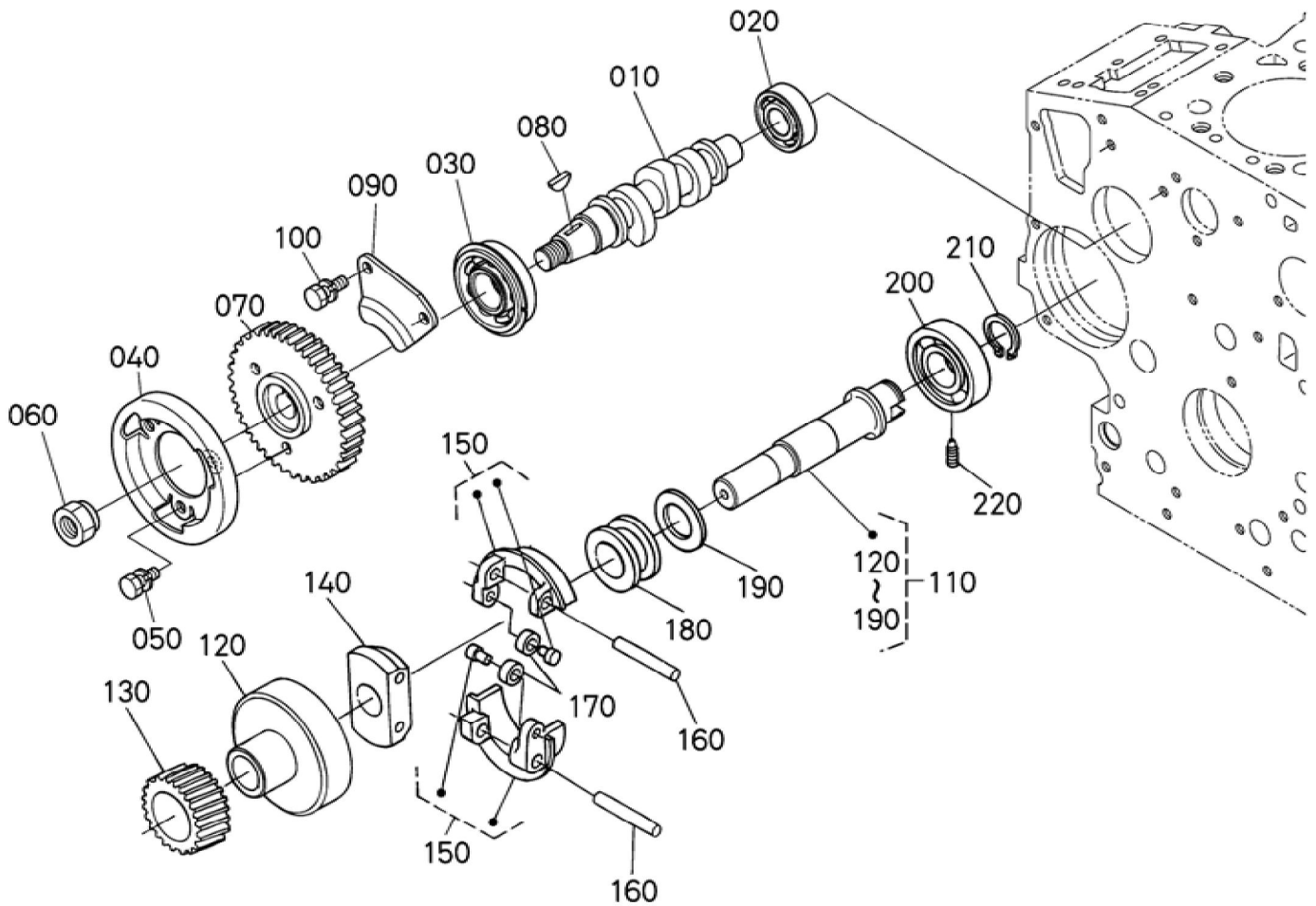


1G061-036-10

Update Date : 2019/05/23 Print Date : 2022/01/23

No.	Part Number	Part Name (POL)	Part Name (ENG)	QTY	IC	Serial No./PIN	Kg	Remarks
010	16261-25015	KOMP.SCHWUNGRAD	FLYWHEEL,COMP	1			17.200	
020	1G061-63820	ZAHNKRANZ	GEAR,RING	1			0.790	
040	16271-25160	BOLZEN,SCHWUNGRAD	BOLT (FLYWHEEL)	6			0.036	
050	6C040-58912	PLATTE	PLATE(REAR END)	1			3.640	
060	15261-91190	BOLZEN	BOLT	8			0.030	

Update Date : 2019/05/23 Print Date : 2022/01/23



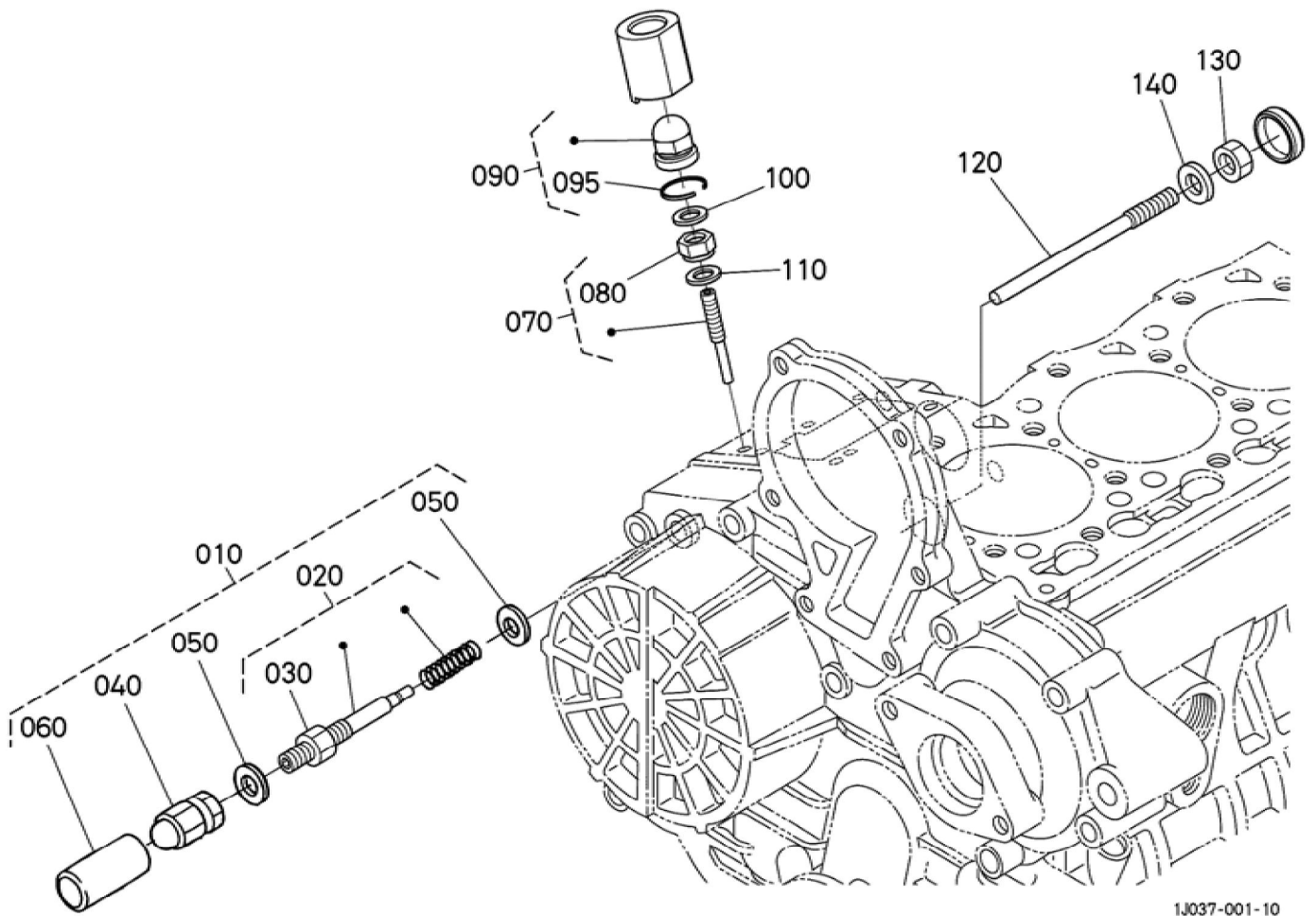
1G043-017-16

Update Date : 2019/05/23 Print Date : 2022/01/23

No.	Part Number	Part Name (POL)	Part Name (ENG)	QTY	IC	Serial No./PIN	Kg	Remarks
010	16020-16170	NOCKENWELLE	CAMSHAFT,FUEL	1		<=1HRZ999	0.380	
010	16020-16172	NOCKENWELLE	CAMSHAFT,FUEL	1	NI	>=1HS0001	0.320	
020	16261-97300	KUGELLAGER	BEARING,BALL	1			0.044	
030	16261-97330	KUGELLAGER	BEARING,BALL	1			0.102	
040	16241-51114	NOCKEN	CAM,FUEL	1			0.196	
050	01023-50612	BOLZEN	BOLT,SEMS	3			0.005	
060	1J050-92330	MUTTER	NUT	1			0.021	
070	1G065-51150	ZAHNRAD	GEAR,INJECTION PUMP	1			0.490	
080	16241-95230	SCHEIBENKEIL	KEY,WOODRUFF	1			0.001	
090	16241-16320	STOPFENNOCKENWELLE	STOPPER,FUEL.C/SHAFT	1			0.040	
100	01023-50616	BOLZEN	BOLT,SEMS	2			0.006	
110	16265-55019	GRP.ACHSE	ASSY SHAFT,GOVERNOR	1			1.120	
120	16241-55392	HALTER	HOLDER,GOVERNOR GEAR	1			0.340	
130	16282-55320	REGLERZAHNRAD	GEAR,GOVERNOR	1			0.240	
140	16241-55270	HALTER,GEWICHT	HOLDER,GOV.WEIGHT	1			0.085	
150	16241-55064	GEWICHT KOMP.	COMP.WEIGHT,GOVERNOR	2			0.085	
160	16241-55260	WELLE	SHAFT,GOV.WEIGHT	2			0.013	
170	19484-55440	ROLLE	ROLLER	2			0.005	
180	16241-55450	REGLERMUFFE	SLEEVE,GOVERNOR	1			0.040	
190	16241-55463	DRUCKSCHEIBE	WASHER,THRUST	1			0.005	
200	16261-97320	KUGELLAGER	BALL BEARING	1			0.140	

Update Date : 2019/05/23 Print Date : 2022/01/23

No.	Part Number	Part Name (POL)	Part Name (ENG)	QTY	IC	Serial No./PIN	Kg	Remarks
210	16271-55410	SPRENGRING	CIR CLIP,GOV.SH AFT	1			0.005	
220	16241-55554	ANSCHLAGSCHRAUBE	SCREW,SET	1			0.007	



1J037-001-10



Suggest:

For more complete manuals. Please go to the home page.

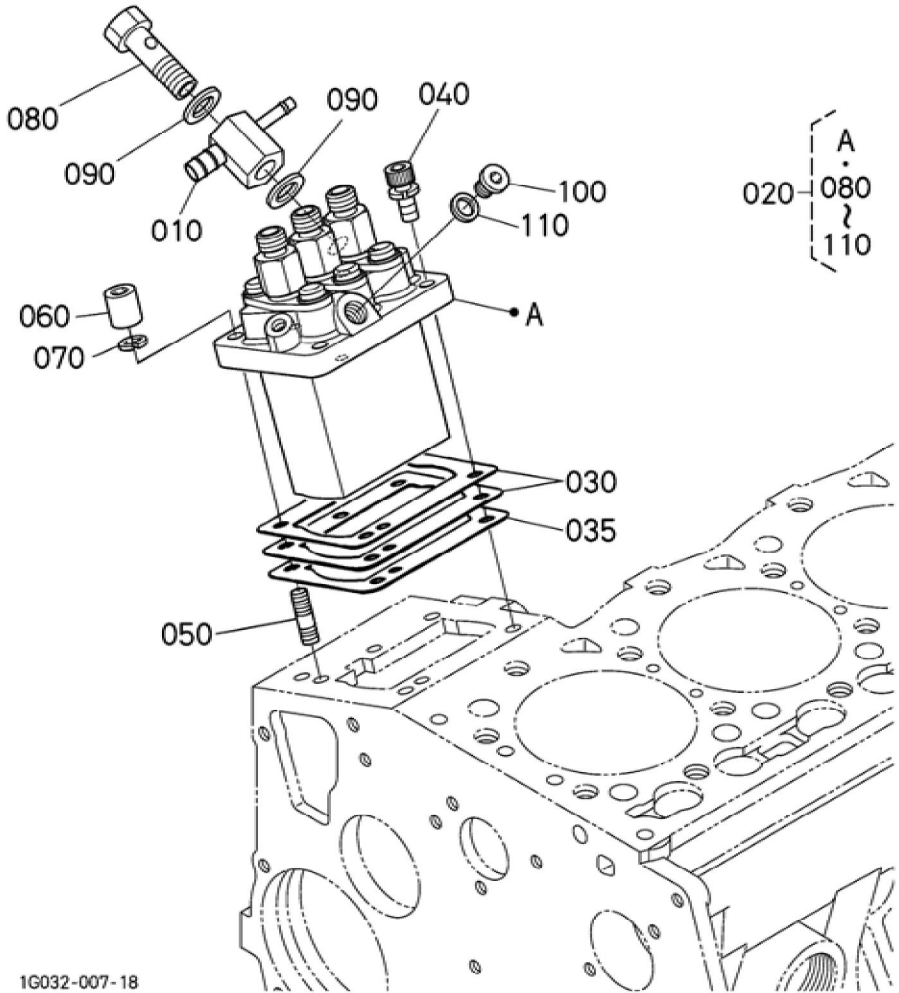
<https://www.ebooklibonline.com>

If the above button click is invalid. Please download this document first, and then click the above link to download the complete manual.

Thank you so much for reading

Update Date : 2019/05/23 Print Date : 2022/01/23

No.	Part Number	Part Name (POL)	Part Name (ENG)	QTY	IC	Serial No./PIN	Kg	Remarks
010	16271-54093	ADAPTER	APPARATUS, FUEL LIMIT	1			0.029	
020	16241-54103	BOLZEN, FEINEINSTE LUNG KOMP.	ASSY BOLT,ADJUS TING	1			0.008	
030	15841-92020	MUTTER	NUT	1			0.004	
040	15852-92330	MUTTER	NUT	1			0.005	
050	15601-96650	DICHTUNGSP LATTE	PACKING	2			0.001	
060	16221-54420	KAPPE	CAP	1			0.001	
070	1J097-54350	BOLZEN	BOLT,ASSY (ADJUSTING)	1			0.007	
080	1J094-54210	MUTTER	NUT(LOCK)	1			0.003	
090	1J097-54380	UEBERWURF MUTTER.KO MP.	NUT,CAP,ASS Y	1			0.006	
095	1J094-54280	SPRENGRIN G	CIRCLIP,INT	1			0.001	
100	15601-96650	DICHTUNGSP LATTE	PACKING	1			0.001	
110	15601-96650	DICHTUNGSP LATTE	PACKING	1			0.001	
120	1G053-54150	BOLZEN	BOLT	1			0.009	
130	02056-50060	MUTTER	HEX.NUT	1			0.002	
140	15601-96650	DICHTUNGSP LATTE	PACKING	1			0.001	



1G032-007-18

<https://www.ebooklibonline.com>

Hello dear friend!

Thank you very much for reading.

Enter the link into your browser.

The full manual is available for immediate download.

<https://www.ebooklibonline.com>