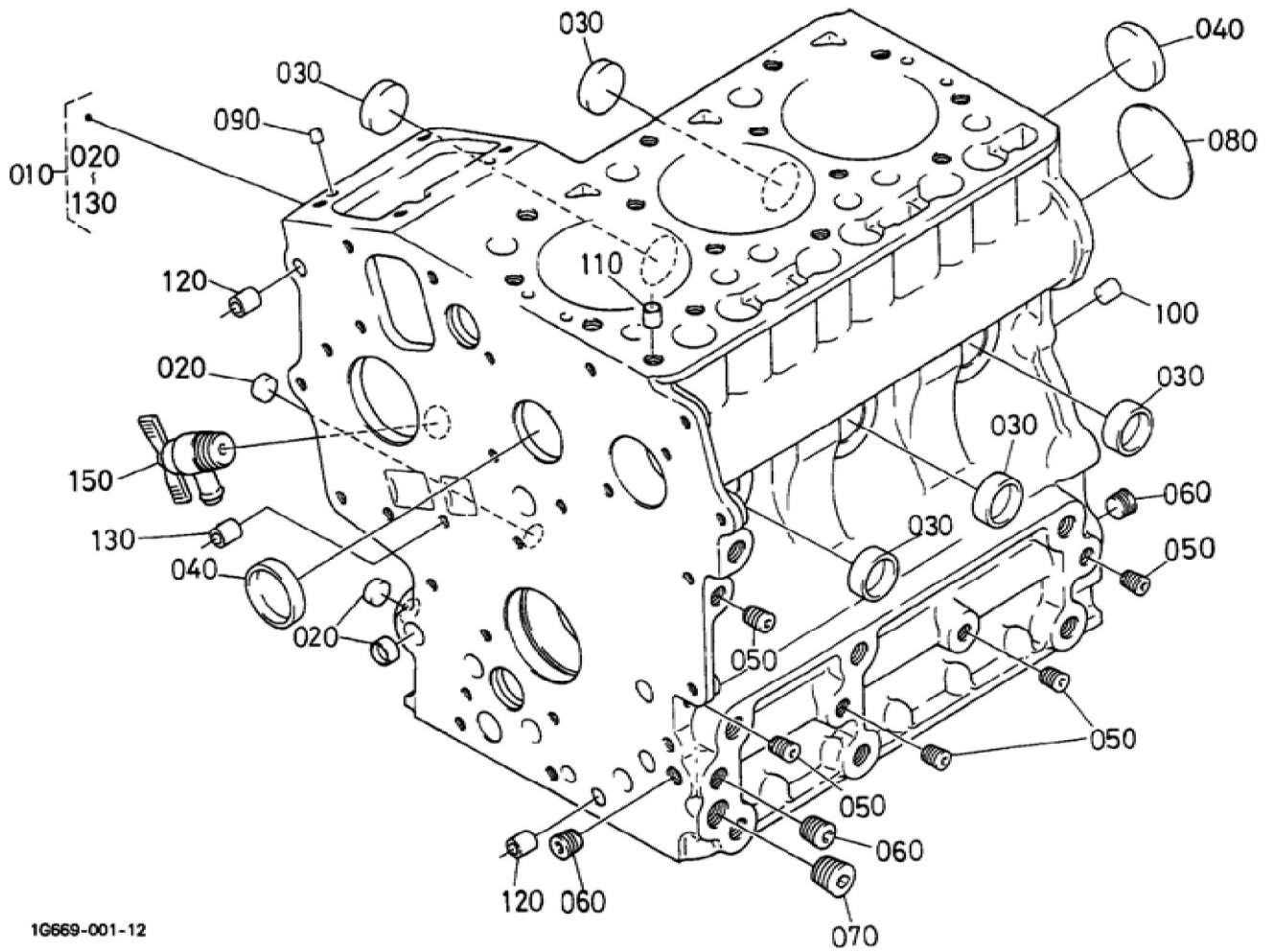


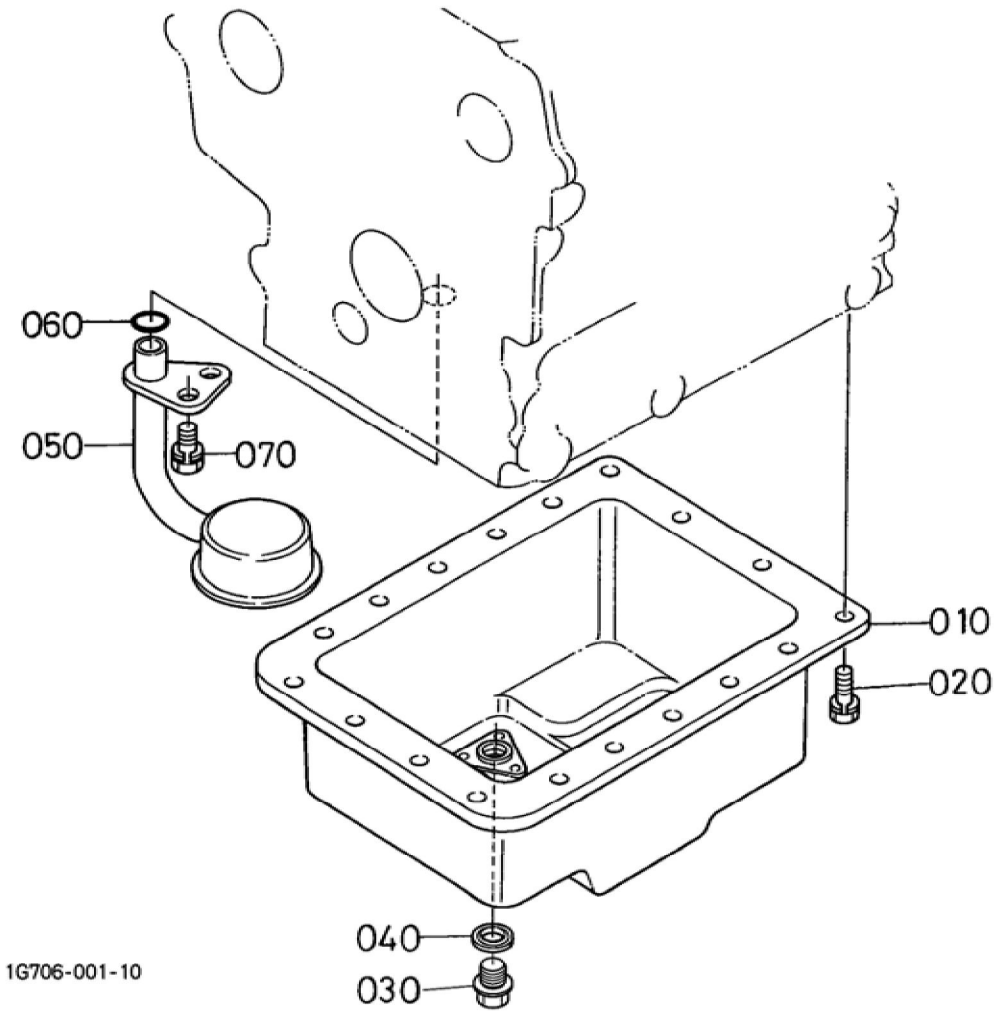
Update Date : 2020/04/27 Print Date : 2022/01/23



1G669-001-12

Update Date : 2020/04/27 Print Date : 2022/01/23

No.	Part Number	Part Name (POL)	Part Name (ENG)	QTY	IC	Serial No./PIN	Kg	Remarks
010	1G669-01024	KOMP.KURBELGEHAEUSE	COMP.CRANKCASE	1			19.550	
020	16851-96260	KAPPE	CAP,SEALING	3			0.005	
030	16851-96270	KAPPE	CAP,SEALING	5			0.005	
040	15451-96270	KAPPE	CAP,SEALING	2			0.010	
050	15261-96010	STOPFEN	PLUG	5			0.002	
060	15521-96020	STOPFEN	PLUG	3			0.003	
070	15521-96030	STOPFEN	PLUG	1			0.007	
080	15261-96160	STOPFEN	PLUG,EXPANSION	1			0.020	
090	05012-00508	ZYLINDERSTIFT	PIN,STRAIGHT	2			0.001	
100	05012-00814	ZYLINDERSTIFT	PIN,STRAIGHT	2			0.006	
110	15221-33650	ROHRSTIFT	PIN,PIPE	1			0.004	
120	17331-59190	ROHRSTIFT	PIN,PIPE	2			0.002	
130	17331-59190	ROHRSTIFT	PIN,PIPE	2			0.002	
150	16871-73020	GRP.ABLASSHAHN	COCK,ASSY (DRAIN)	1			0.034	



**<https://www.ebooklibonline.com>**

Hello dear friend!

Thank you very much for reading.

Enter the link into your browser.

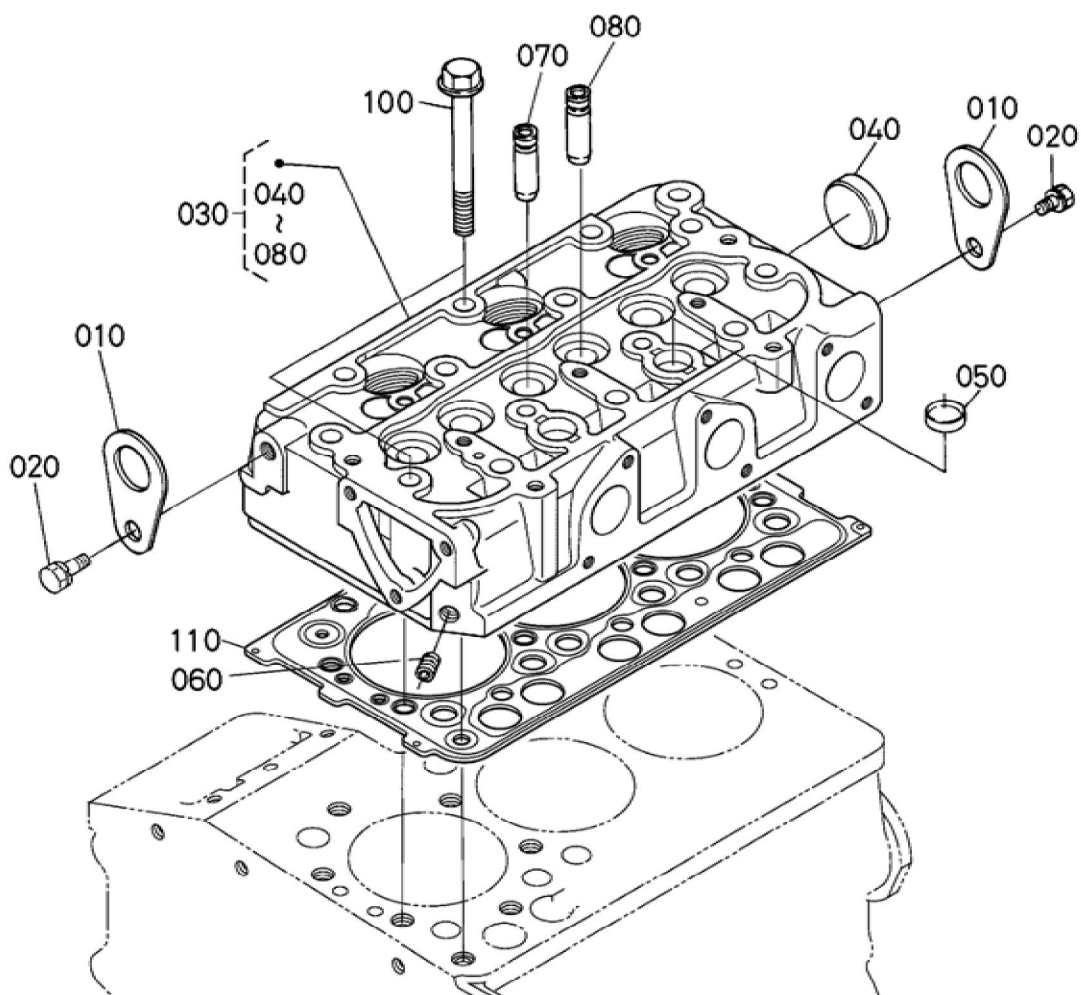
The full manual is available for immediate download.

**<https://www.ebooklibonline.com>**

Update Date : 2020/04/27 Print Date : 2022/01/23

No.	Part Number	Part Name (POL)	Part Name (ENG)	QTY	IC	Serial No./PIN	Kg	Remarks
010	6C090-58924	KOMP.OELW ANNE	COMP.OIL PAN	1			0.750	
020	01023-50612	BOLZEN	BOLT,SEMS	18			0.005	
030	13901-33750	ENTLEERUN GSSTOPFEN	PLUG,DRAIN	1			0.025	
040	15862-96670	DICHTUNGSP LATTE	GASKET	1			0.001	
050	16813-32110	OELFILTER	FILTER,OIL	1			0.110	
060	04814-00160	O RING	O RING	1			0.001	
070	01123-50814	BOLZEN	BOLT,SEMS	1			0.010	

Update Date : 2020/04/27 Print Date : 2022/01/23

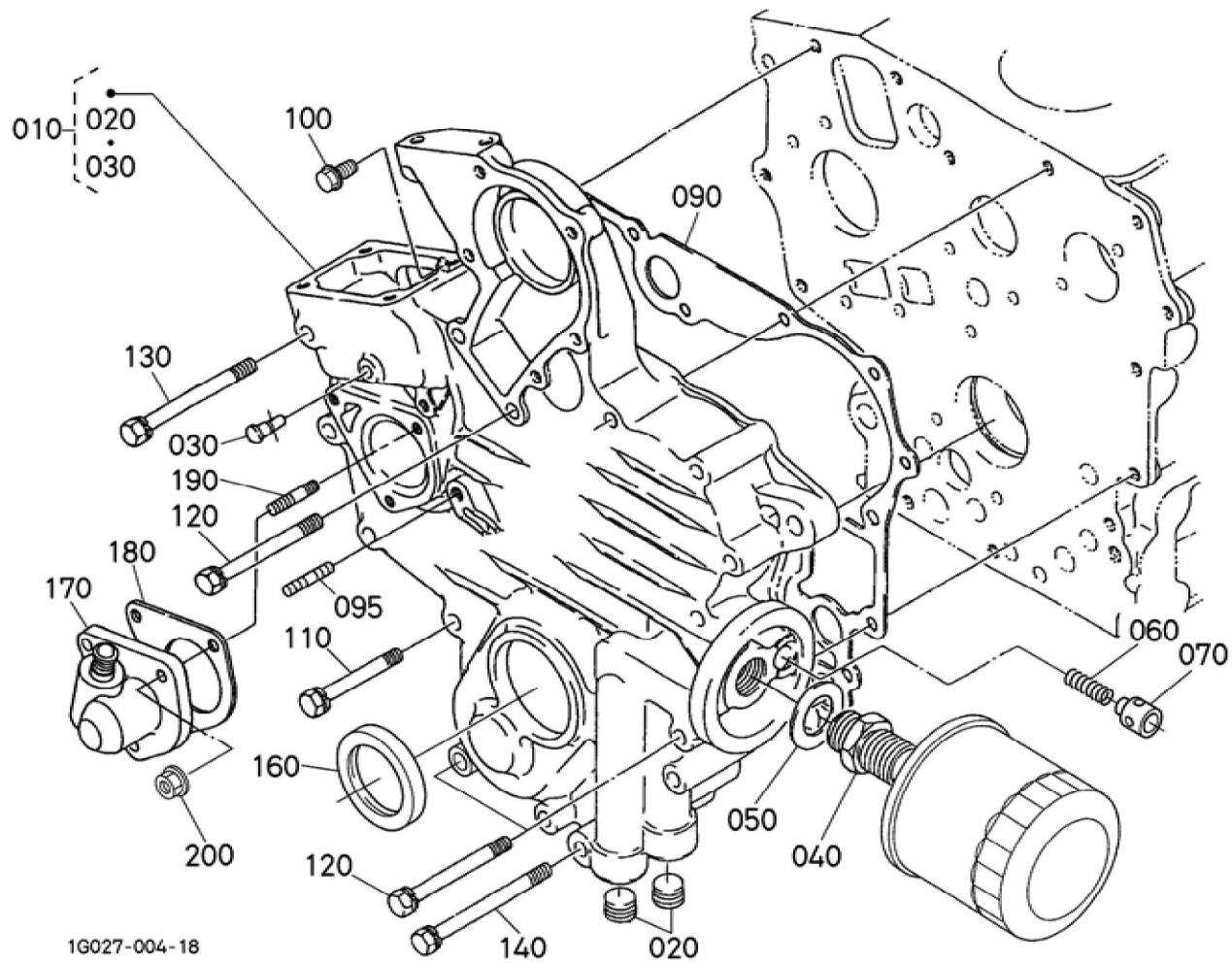


1G434-002-21

Update Date : 2020/04/27 Print Date : 2022/01/23

No.	Part Number	Part Name (POL)	Part Name (ENG)	QTY	IC	Serial No./PIN	Kg	Remarks
010	15221-01750	MOTORHAKEN	HOOK,ENGINE	2			0.040	
020	01123-50816	SCHRAUBE	BOLT,SEMS	2			0.011	
030	1J093-03040	KOMP.ZYLINDERKOPF	HEAD,CYLINDER,COMP	1			7.300	
040	15321-96260	KAPPE	CAP,SEALING	1			0.014	
050	15261-03370	STOEPSEL,ABDICHTUNG	CAP,SEALING	2			0.005	
060	15261-96010	STOPFEN	PLUG	1			0.002	
070	15841-13540	EINLASSVENTILFUEHRUNG	GUIDE,VALVE (INLET)	3			0.014	
080	15841-13560	AUSLASSVENTILFUEHRUNG	GUIDE (EXHAUST VALVE)	3			0.014	
100	14601-03450	ZYLINDERKOPFSCHRAUBE	BOLT,HEAD (CYLINDER)	14			0.035	
110	1J092-03310	ZYLINDERKOPFDICHTUNG	GASKET (CYL.HEAD)	1			0.135	

Update Date : 2020/04/27 Print Date : 2022/01/23

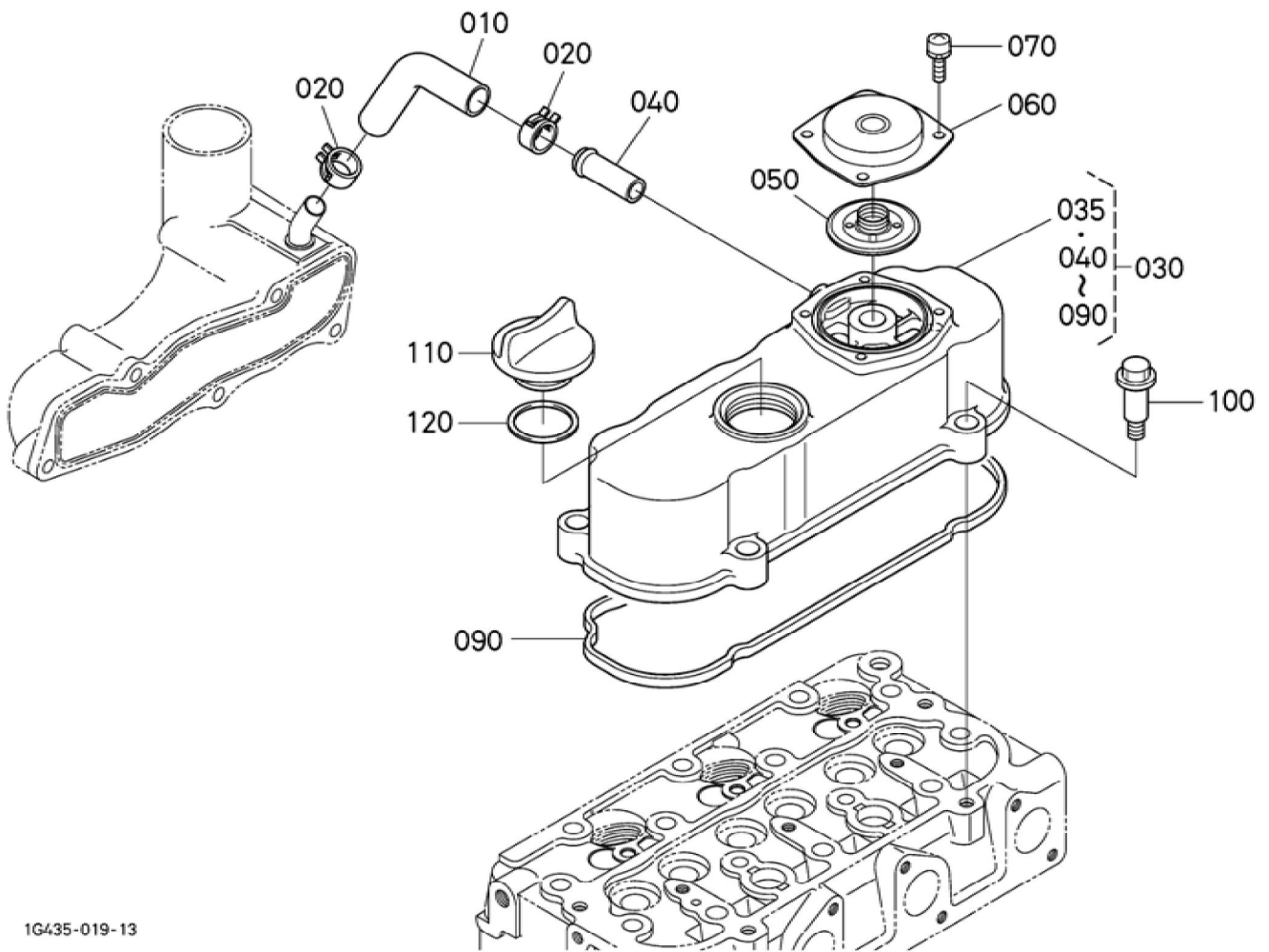


1G027-004-18

Update Date : 2020/04/27 Print Date : 2022/01/23

No.	Part Number	Part Name (POL)	Part Name (ENG)	QTY	IC	Serial No./PIN	Kg	Remarks
010	16808-04024	KMP.GETRIEBEGEHAEUSE	COMP.CASE, GEAR	1			1.720	
020	15521-96030	STOPFEN	PLUG	2			0.007	
030	15841-56280	STARTFEDERSTIFT	PIN(START SPRING)	1			0.005	
040	15241-32290	VERBINDUNGSSTUECK	JOINT,PIPE	1			0.053	
050	15841-94010	SCHEIBE	WASHER,PLAIN	1			0.003	
060	1J092-36950	FEDER	SPRING	1			0.004	
070	1J050-36930	UEBERLAUFVENTIL	VALVE (RELIEF)	1			0.005	
090	16871-04130	DICHTUNG	GASKET,GEAR CASE	1			0.080	
095	15841-91510	STEBBOLZEN	STUD	1			0.007	
100	01754-50616	SCHRAUBE	BOLT,FLANGE	1			0.006	
110	01023-50650	BOLZEN	BOLT,SEMS	8			0.012	
120	15841-91010	BOLZEN	BOLT	5			0.014	
130	01023-50670	BOLZEN	BOLT,SEMS	1			0.015	
140	01023-50675	BOLZEN	BOLT,SEMS	1			0.010	
160	1J094-04140	OELDICHTUNGSRING	SEAL,OIL	1			0.013	
170	59360-25950	GRP.GETRIEBEGEHAEUSE	ASSY GEAR CASE,H/M	1			0.290	
180	19461-88132	DICHTUNG	GASKET,H/M GEAR CASE	1			0.002	
190	15221-88210	STEBBOLZEN	BOLT,STUD	3			0.005	
200	02751-50060	MUTTER	NUT,FLANGE	3			0.005	

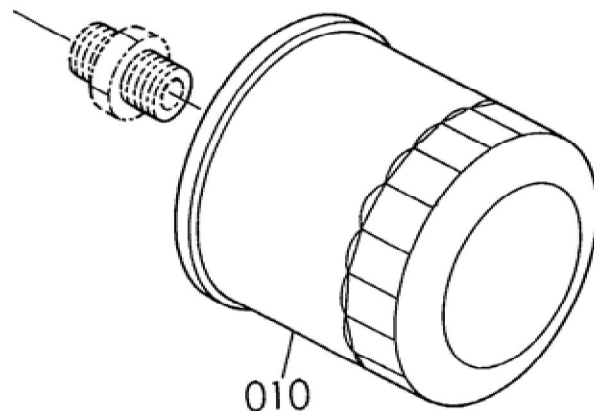
Update Date : 2020/04/27 Print Date : 2022/01/23



1G435-019-13

Update Date : 2020/04/27 Print Date : 2022/01/23

No.	Part Number	Part Name (POL)	Part Name (ENG)	QTY	IC	Serial No./PIN	Kg	Remarks
010	1G960-05514	ROHR	TUBE (BREATHER)	1			0.008	
020	09318-88125	SCHLAUCHS CHELLE	CLAMP,HOSE	2			0.001	
030	1G958-14504	VENTILDECK EL	COVER,CYL. HEAD	1			0.600	
035	1G958-14512	VENTILDECK EL	COVER,CYL. HEAD	1			0.510	
040	16241-73370	ROHR	PIPE,WATER RETURN	1			0.007	
050	1G911-05203	ENTLUEFTER	COMP VALVE,BREA THER	1			0.010	
060	1G801-05120	ENTLUEFTER DECKEL	COVER,BREA THER	1			0.035	
070	03024-50510	SCHRAUBE	SCREW,SEM S(PAN HEAD)	4			0.002	
090	1G958-14520	VENTILDECK ELDICHTUNG	GASKET,HEA D COVER	1			0.009	
100	1G911-91022	BOLZEN	BOLT	4			0.015	
110	E9151-33140	OELEINFUEL LSTOPFEN	PLUG(OIL FILLER)	1			0.017	
120	1J001-96770	O RING	O RING	1			0.001	



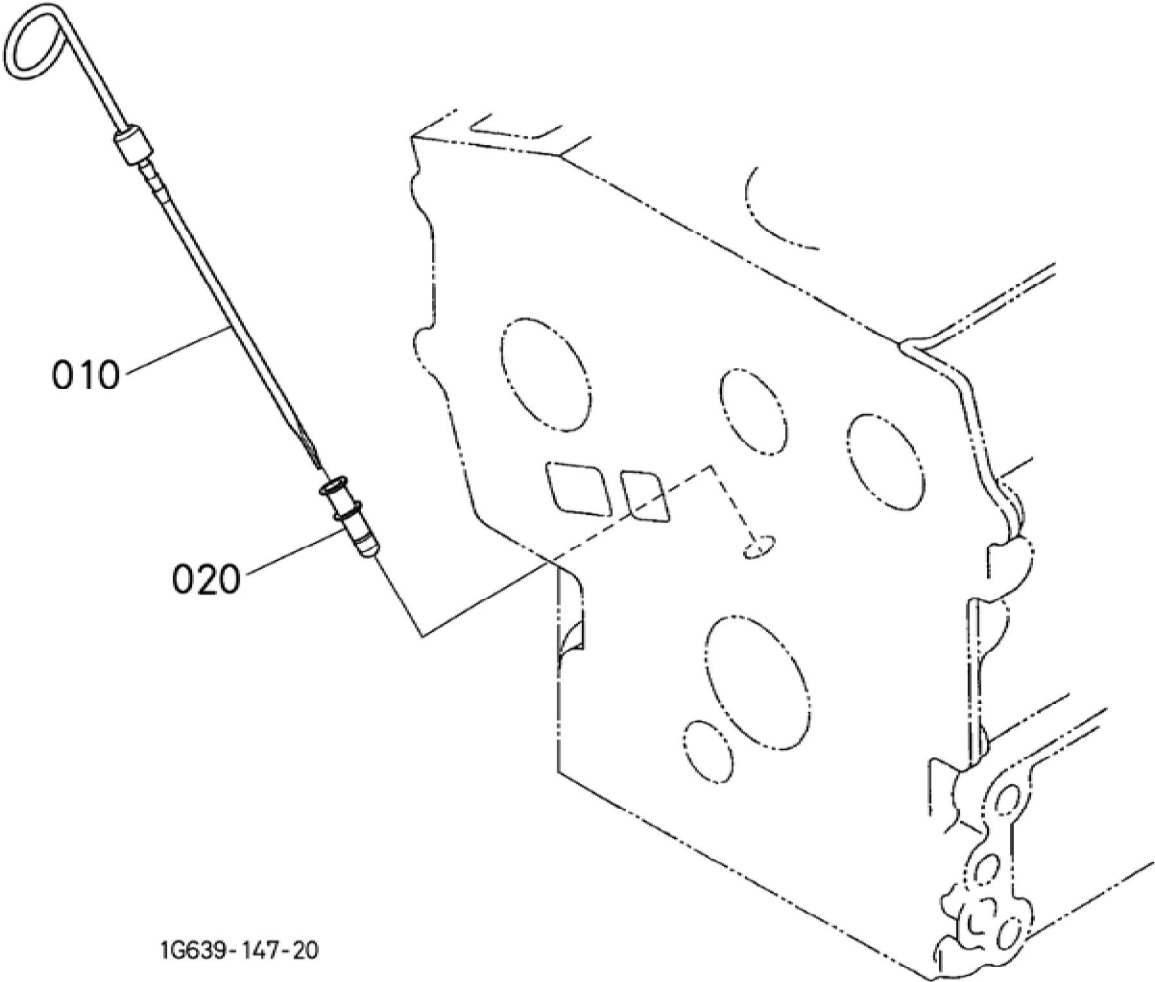
16615-003-10

BKIDA5160 >> B1181DT-F2-EC-S5 >> MOTOR / ENGINE >> 000600 OELFILTER / OIL FILTER

Update Date : 2020/04/27 Print Date : 2022/01/23

No.	Part Number	Part Name (POL)	Part Name (ENG)	QTY	IC	Serial No./PIN	Kg	Remarks
010	HH150-32430	OELFILTERP ATRONE	FILTER (CARTRIDGE, OIL)	1			0.200	

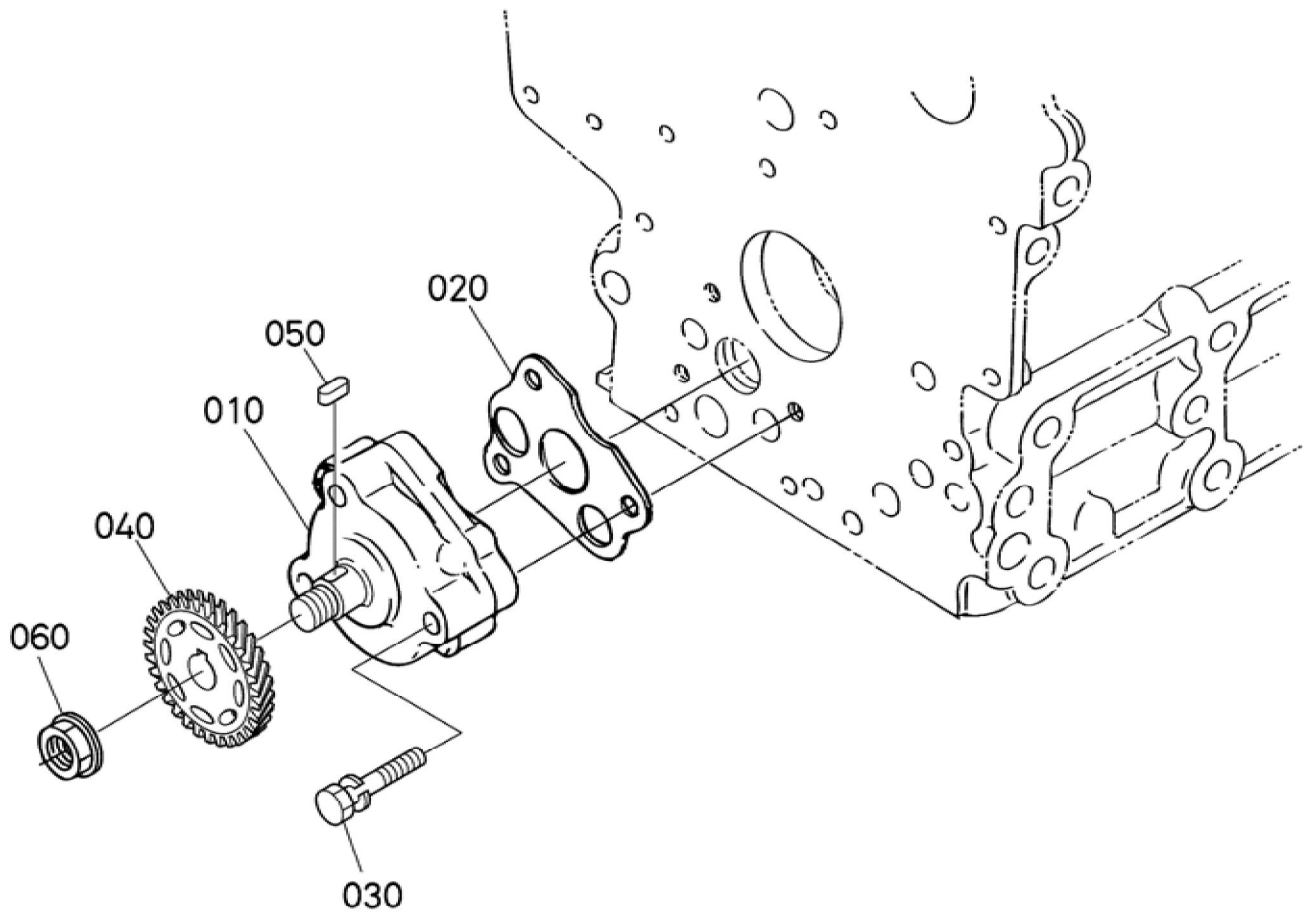
Update Date : 2020/04/27 Print Date : 2022/01/23



1G639-147-20

Update Date : 2020/04/27 Print Date : 2022/01/23

No.	Part Number	Part Name (POL)	Part Name (ENG)	QTY	IC	Serial No./PIN	Kg	Remarks
010	16829-36410	OELMESSSTAB	GAUGE,OIL	1			0.040	
020	17456-36420	FUEHRUNG, OELMESSSTAB	GUIDE (GAUGE,OIL)	1			0.030	



17060-002-17

Update Date : 2020/04/27 Print Date : 2022/01/23

No.	Part Number	Part Name (POL)	Part Name (ENG)	QTY	IC	Serial No./PIN	Kg	Remarks
010	16851-35012	GRP.OELPUMPE	PUMP,ASSY (OIL)	1			0.240	
020	16851-35152	DICHTUNG,OELPUMPE	GASKET,OIL PUMP NA	1			0.001	
030	15841-91050	BOLZEN	BOLT	3			0.010	
040	1G687-35662	ZAHNRAD	GEAR(OIL PUMP DRIVE)	1			0.070	
050	05712-00408	KEIL	KEY,FEATHER	1			0.001	
060	02771-50100	MUTTER	NUT,FLANGE	1			0.005	



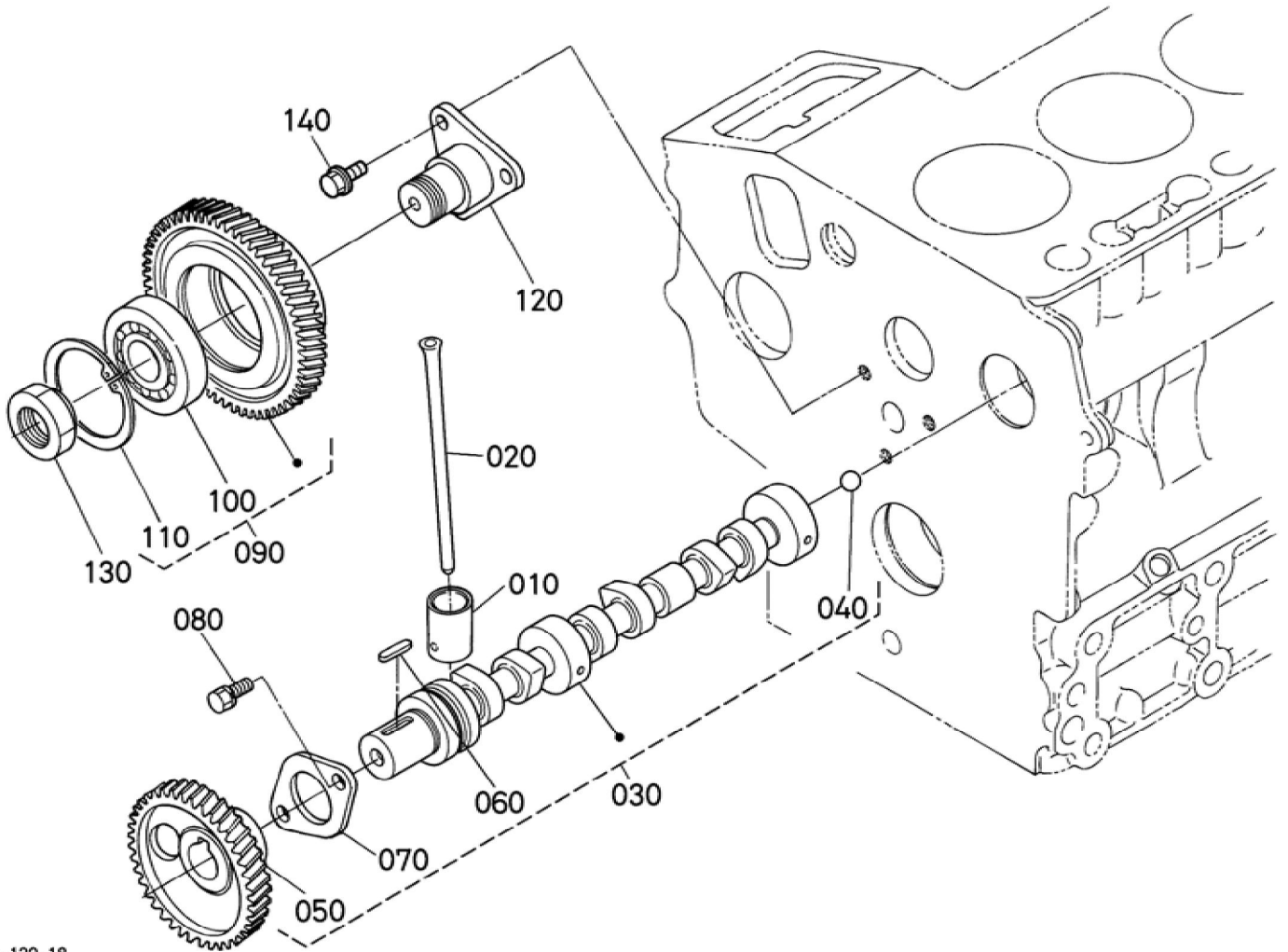
Update Date : 2020/04/27 Print Date : 2022/01/23

No.	Part Number	Part Name (POL)	Part Name (ENG)	QTY	IC	Serial No./PIN	Kg	Remarks
010	1J002-07090	GRP.LAGERGEHAEUSE	BRG.CASE, FULL ASSY (W,MAIN)	1			0.335	
020	01754-50840	SCHRAUBE	BOLT,FLANGE	2			0.020	
025	1G460-23823	LAGERSCHALE	METAL,ASSY (2,CRANKSHAFT)	1			0.040	STD/SET
025	1G460-23933	LAGERSCHALE	METAL,ASSY, CRANKSHAFT)	1			0.040	-0.20mm/SET
025	1G460-23953	LAGERSCHALE	METAL,ASSY (2-04,CRANKSHAFT)	1			0.040	-0.40mm/SET
028	05012-00608	ZYLINDERSTIFT	PIN,STRAIGHT	2			0.002	
030	15852-04360	DICHTUNG,LAGER	GASKET,BEARING CASE	1			0.005	
040	15841-04815	DECKEL,LAGERKASTEN	COVER,BEARING CASE	1			0.160	
050	1G460-04460	OELDICHTUNGSRING	SEAL,OIL	1			0.032	
060	15841-04823	DICHTUNG	GASKET,CASE COVER	1			0.007	
080	01023-50622	BOLZEN	BOLT,SEMS	16			0.005	
090	12691-07045	LAGERGEHAEUSE,KOMP.	ASSY BRG CASE	1			0.000	
095	16851-04040	GRP.LAGERGEHAEUSE	ASSY CASE,MAIN BRG.	1			0.580	
100	15841-04543	BOLZEN	BOLT,BEARING CASE	2			0.013	
105	15861-23484	LAGERSCHALE	METAL,CRANKSHAFT	1			0.010	STD SET
105	15861-23863	LAGERSCHALE	METAL,CRANKSHAFT	1			0.030	-0.20mm/SET
105	15861-23873	LAGERSCHALE	METAL,CRANKSHAFT	1			0.030	-0.40mm/SET
110	16861-07055	LAGERGEHAEUSE,KOMP.	ASSY BRG CASE	1			0.000	
115	16861-04050	GRP.LAGERGEHAEUSE	ASSY CASE,MAIN BRG.	1			0.580	

Update Date : 2020/04/27 Print Date : 2022/01/23

No.	Part Number	Part Name (POL)	Part Name (ENG)	QTY	IC	Serial No./PIN	Kg	Remarks
120	15841-04543	BOLZEN	BOLT,BEARIN G CASE	2			0.013	
125	15861-23484	LAGERSCHA LE	METAL,CRAN KSHAFT	1			0.010	STD SET
125	15861-23863	LAGERSCHA LE	METAL,CRAN KSHAFT	1			0.030	-0.20mm/SET
125	15861-23873	LAGERSCHA LE	METAL,CRAN KSHAFT	1			0.030	-0.40mm/SET
130	15841-04562	BOLZEN,LAG ERKASTEN	BOLT,BEARIN G CASE	2			0.020	

Update Date : 2020/04/27 Print Date : 2022/01/23

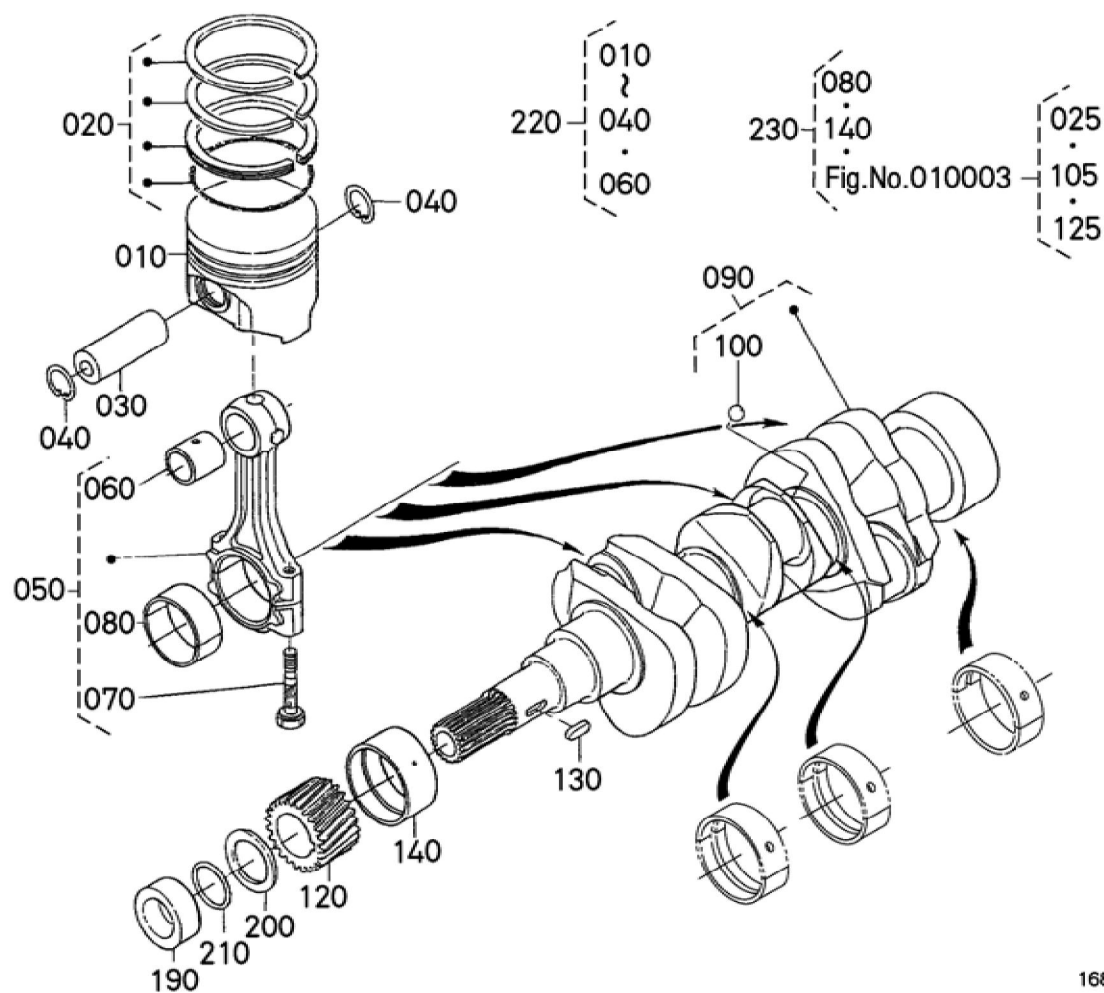


16871-129-18

Update Date : 2020/04/27 Print Date : 2022/01/23

No.	Part Number	Part Name (POL)	Part Name (ENG)	QTY	IC	Serial No./PIN	Kg	Remarks
010	16851-15552	STOESSEL	TAPPET	6			0.024	
020	16851-15110	STOESSELSTANGE	ROD,PUSH	6			0.020	
030	1A092-16010	GRP.NOCKENWELLE	CAMSHAFT,ASSY	1			1.050	
040	07715-00401	KUGEL	BALL 1/4	1			0.001	
050	1G687-16510	ZAHNRAD	GEAR(CAM)	1			0.267	
060	05712-00518	KEIL	FEATHER KEY	1			0.003	
070	15841-16270	NOCKENWELLENSPERRPLATTE	STOPPER (CAMSHAFT)	1			0.027	
080	01023-50612	BOLZEN	BOLT,SEMS	2			0.005	
090	16864-24010	ZAHNRAD	GEAR,ASSY (IDLE)	1			0.580	
100	16864-24290	LAGER	BEARING	1			0.145	
110	04611-00520	SICHERUNGSRING,INNEN	CIR-CLIP,INTERNAL	1			0.009	
120	16864-24250	WELLE	SHAFT(IDLE GEAR)	1			0.160	
130	16864-92010	MUTTER	NUT	1			0.020	
140	01754-50612	SCHRAUBE	BOLT,FLANGE	3			0.005	

Update Date : 2020/04/27 Print Date : 2022/01/23



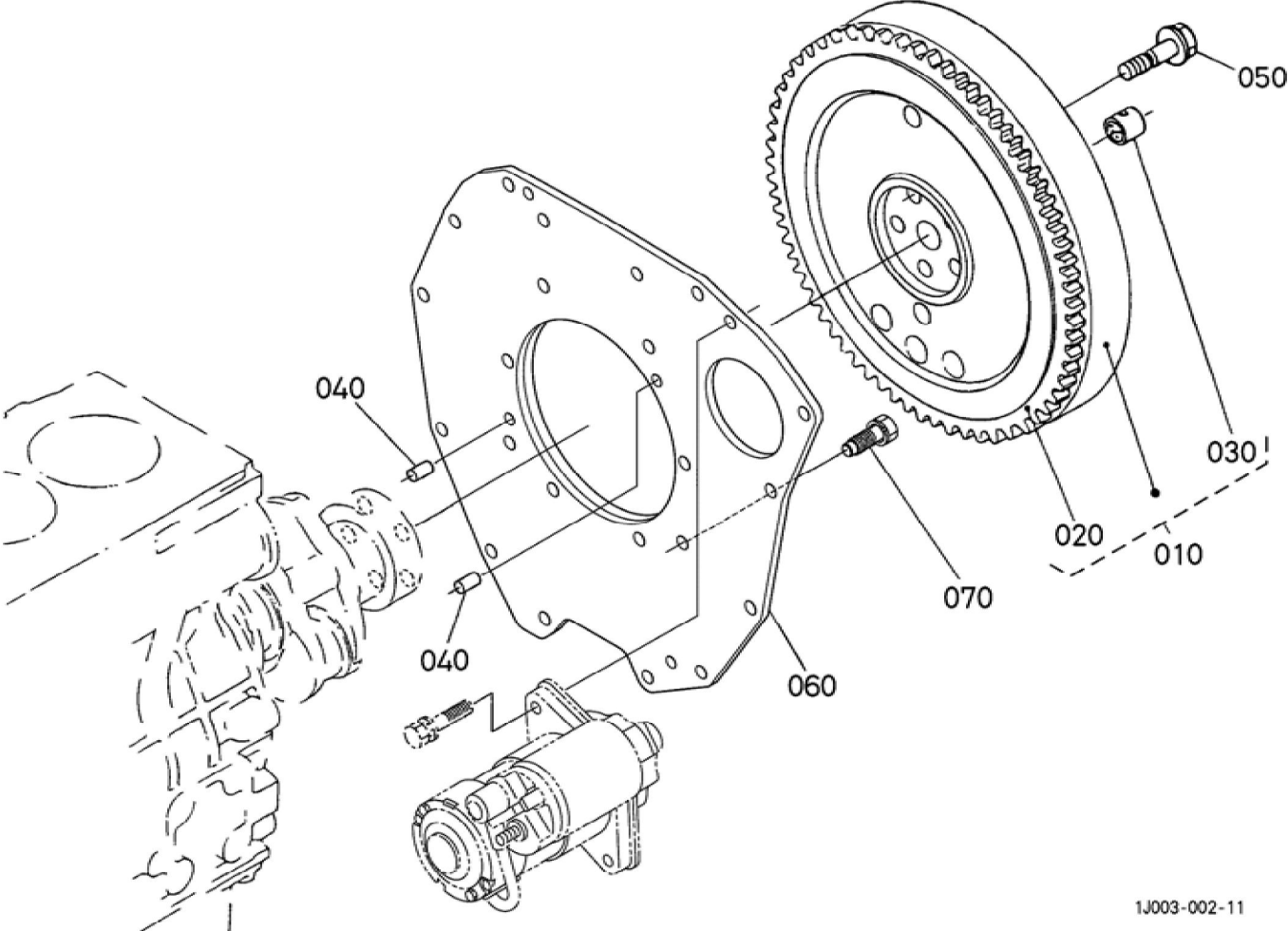
16806-001-12

Update Date : 2020/04/27 Print Date : 2022/01/23

No.	Part Number	Part Name (POL)	Part Name (ENG)	QTY	IC	Serial No./PIN	Kg	Remarks
010	1J093-21110	KOLBEN	PISTON	3			0.208	STD
010	1J093-21900	KOLBEN	PISTON	3			0.213	+0.25mm
020	1J092-21050	GRP.KOLBEN RING	RING,PISTON ,ASSY	3			0.030	STD
020	1J092-21090	GRP.KOLBEN RING	RING,PISTON ,ASSY(025)	3			0.028	+0.25mm
030	16871-21310	KOLBENBOLZEN	PIN,PISTON	3			0.080	
040	15261-21330	SEEGERING	CIRCLIP (INTERNAL)	6			0.001	
050	1G687-22010	PLEUELSTANGE KOMP.	ROD,CONNECTING,ASSY	3			0.318	
060	16851-21982	BUCHSE,KOLBENSTIFT	BUSH,PISTON PIN	3			0.010	
070	16851-22140	BOLZEN	BOLT (ROD,CONNECTING)	6			0.012	
080	15861-22314	LAGERSCHALE	METAL,CRANKPIN	3			0.020	STD SET
080	15861-22973	LAGERSCHALE	METAL,CRANKPIN	3			0.030	-0.20mm/SET
080	15861-22983	LAGERSCHALE	METAL,CRANKPIN	3			0.030	-0.40mm/SET
090	16805-23012	KOMP.KURBELWELLE	CRANKSHAFT,COMP	1			6.340	
100	07715-03207	KUGEL	BALL	3			0.001	
120	16864-24110	ZAHNRAD	GEAR,CRANKSHAFT	1			0.080	
130	05712-00515	KEIL	KEY,FEATHER	1			0.003	
140	15861-23474	LAGERSCHALE	METAL,CRANKSHAFT	1			0.030	STD
140	15861-23913	LAGERSCHALE	METAL,CRANKSHAFT	1			0.040	-0.20mm
140	15861-23923	LAGERSCHALE	METAL,CRANKSHAFT	1			0.040	-0.40mm
190	15841-23250	HALSRING	COLLAR,CRANKSHAFT	1			0.050	

Update Date : 2020/04/27 Print Date : 2022/01/23

No.	Part Number	Part Name (POL)	Part Name (ENG)	QTY	IC	Serial No./PIN	Kg	Remarks
200	15881-23310	OELABSTREIFRING	SLINGER,OIL	1			0.004	
210	04814-16220	O RING	O RING	1			0.001	
220	1J093-21770	GRP.KOLBEN	PISTON,KIT (STD)	3			0.384	STD
220	1J093-21780	GRP.KOLBEN	PISTON,KIT	3			0.388	+0.25mm
230	1E051-23756	LAGERSATZ	KIT METAL,ENGINE	1			0.355	STD SET
230	1E051-23763	LAGERSATZ	KIT METAL,ENGINE	1			0.370	-0.20mm/SET
230	1E051-23773	LAGERSATZ	KIT METAL,ENGINE	1			0.377	-0.40mm/SET

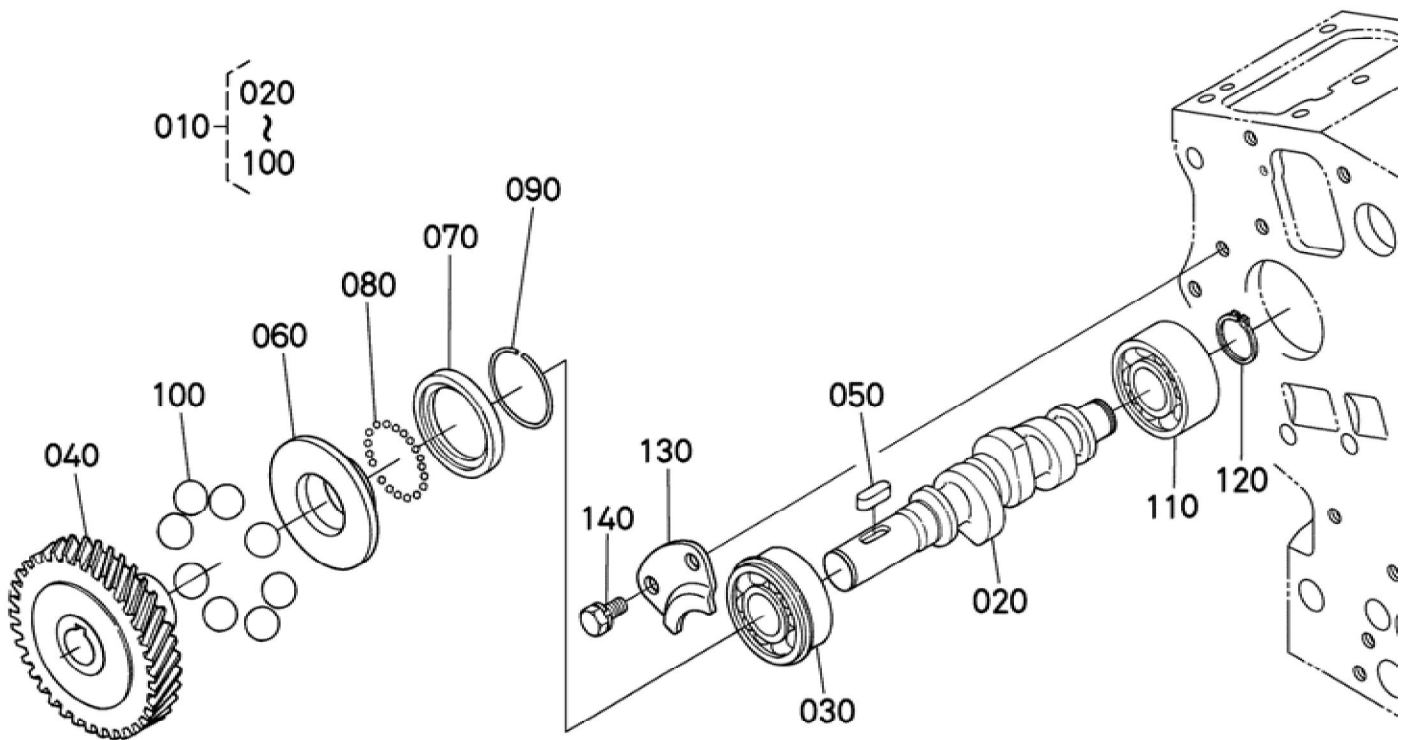


1J003-002-11

Update Date : 2020/04/27 Print Date : 2022/01/23

No.	Part Number	Part Name (POL)	Part Name (ENG)	QTY	IC	Serial No./PIN	Kg	Remarks
010	1G706-23120	SCHWUNGRAD,KOMP.	ASSY FLYWHEEL	1			14.400	
020	16261-63822	ZAHNKRANZ	GEAR,RING	1			0.790	
030	66621-14120	TROCKENLAGER	BEARING,DRY	1			0.006	
040	05012-00814	ZYLINDERSTIFT	PIN,STRAIGHT	2			0.006	
050	16241-25160	BOLZEN,SCHWUNGRAD	BOLT,FLYWHEEL	5			0.030	
060	16806-04620	PLATTE	PLATE,REAR END	1			3.845	
070	01123-50822	BOLZEN	BOLT,SEMS	10			0.012	

Update Date : 2020/04/27 Print Date : 2022/01/23

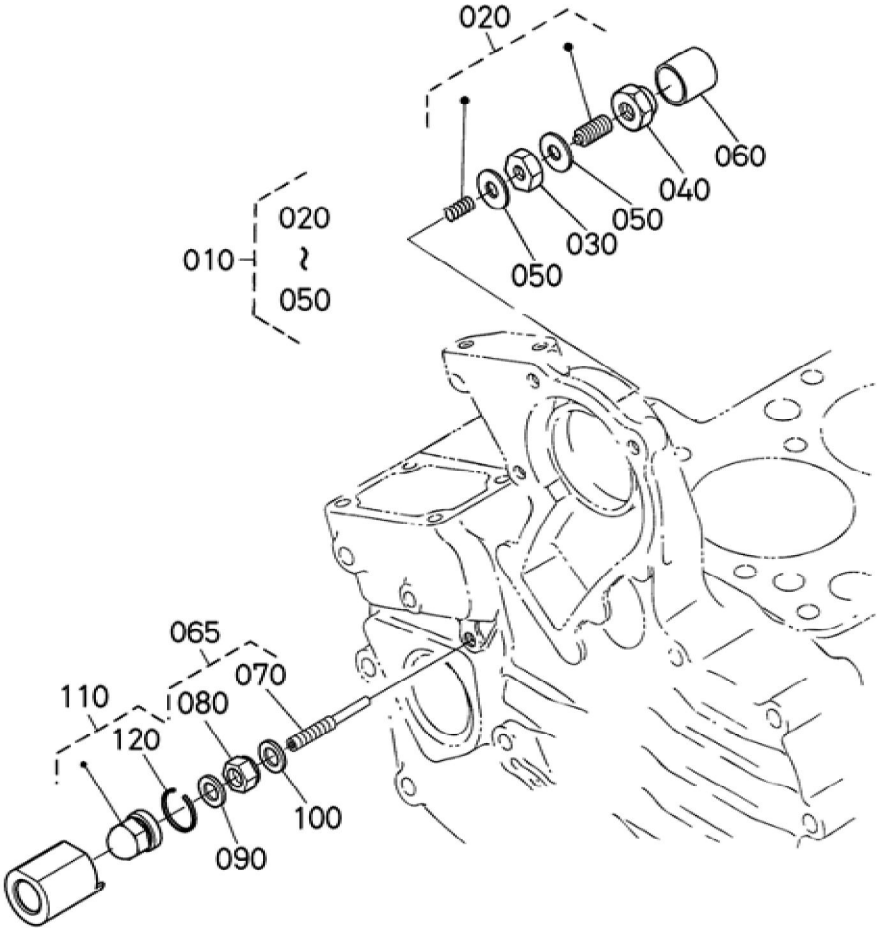


1G319-026-11

Update Date : 2020/04/27 Print Date : 2022/01/23

No.	Part Number	Part Name (POL)	Part Name (ENG)	QTY	IC	Serial No./PIN	Kg	Remarks
010	1J006-16020	NOCKENWELLE,KOMP.	CAMSHAFT,ASSY	1			0.822	
020	15875-16173	NOCKENWELLE	CAMSHAFT (FUEL)	1			0.316	
030	08153-06203	KUGELLAGER	BEARING,BALL	1			0.080	
040	1J090-51150	GETRIEBEZAHNRAD	GEAR (INJECTION PUMP)	1			0.305	
050	05712-00515	KEIL	KEY,FEATHER	1			0.003	
060	15841-55452	REGLERMUFFE	SLEEVE,GVERNOR	1			0.050	
070	15841-55692	REGLER, KUGELGEHAUSE	CASE,GVERNOR BALL	1			0.013	
080	07715-00801	KUGEL	BALL	32			0.001	
090	15261-55470	SPRENGRING	CIR-CLIP,GOV. SLEEVE	1			0.002	
100	07715-03217	KUGEL	BALL	8			0.010	
110	16871-97300	KUGELLAGER	BEARING,BALL	1			0.060	
120	04612-00170	SPRENGRING,AUSSEN	CIR-CLIP,EXTERNAL	1			0.001	
130	15841-16320	STOPFEN	STOPPER,FUEL.C/SHAFT	1			0.015	
140	01023-50612	BOLZEN	BOLT,SEMS	2			0.005	

Update Date : 2020/04/27 Print Date : 2022/01/23



1G318-125-10



**Suggest:**

**For more complete manuals. Please go to the home page.**

**<https://www.ebooklibonline.com>**

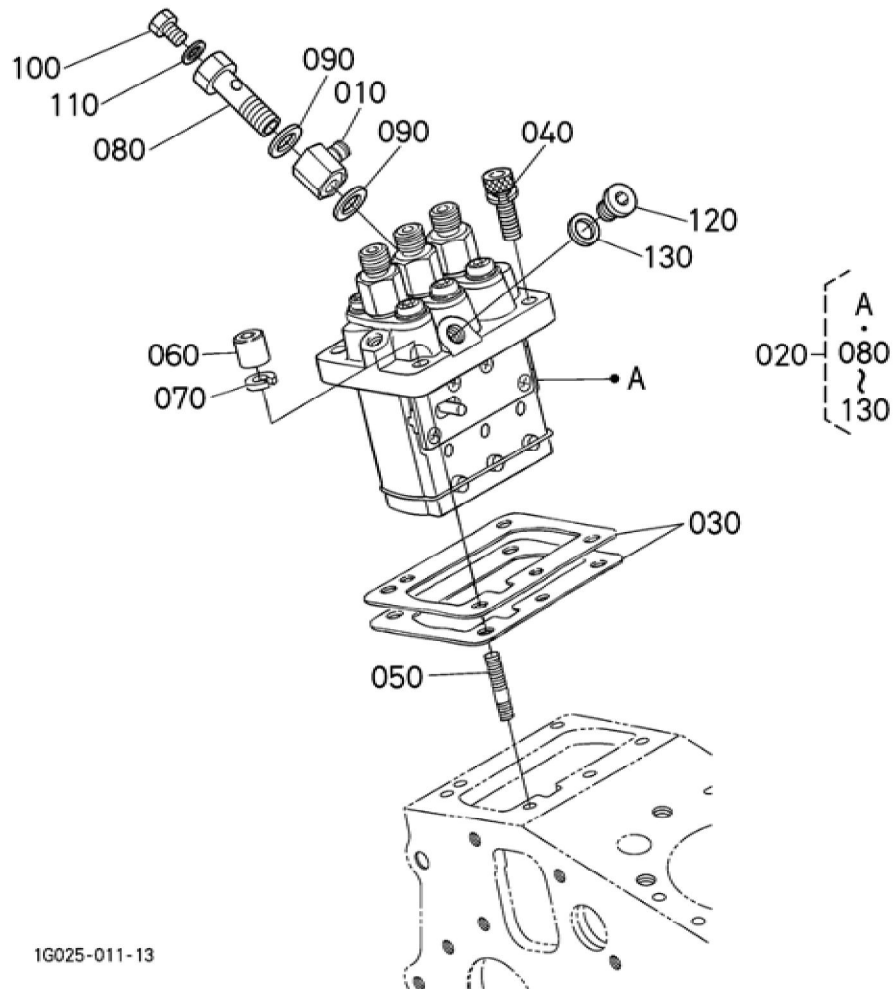
**If the above button click is invalid. Please download this document first, and then click the above link to download the complete manual.**

**Thank you so much for reading**

Update Date : 2020/04/27 Print Date : 2022/01/23

No.	Part Number	Part Name (POL)	Part Name (ENG)	QTY	IC	Serial No./PIN	Kg	Remarks
010	15841-54092	GRP.FREILAU FAPPARAT	ASSY APPARATUS,I DLE	1			0.020	
020	15841-54100	BOLZEN, FEINEINSEL LUNG	ASSY BOLT,ADJUS TING	1			0.009	
030	15261-92020	MUTTER	NUT	1			0.004	
040	15841-54220	MUTTER	NUT,CAP	1			0.006	
050	15021-33660	DICHTUNGSP LATTE	PACKING	2			0.001	
060	15841-54270	KAPPE	CAP	1			0.001	
065	1J094-54350	GRP.ENSTEL LBOLZEN	BOLT,ASSY (ADJUSTING)	1			0.008	
070	15841-54123	EINSTELLBO LZEN	BOLT,ADJUS TING	1			0.008	
080	1J094-54210	MUTTER	NUT(LOCK)	1			0.003	
090	15601-96650	DICHTUNGSP LATTE	PACKING	1			0.001	
100	15601-96650	DICHTUNGSP LATTE	PACKING	1			0.001	
110	1J094-54380	UBERWURFM UTTER.KOMP	NUT,CAP,ASS Y	1			0.004	
120	1J094-54280	SPRENGRIN G	CIRCLIP,INT	1			0.001	

Update Date : 2020/04/27 Print Date : 2022/01/23



**<https://www.ebooklibonline.com>**

Hello dear friend!

Thank you very much for reading.

Enter the link into your browser.

The full manual is available for immediate download.

**<https://www.ebooklibonline.com>**