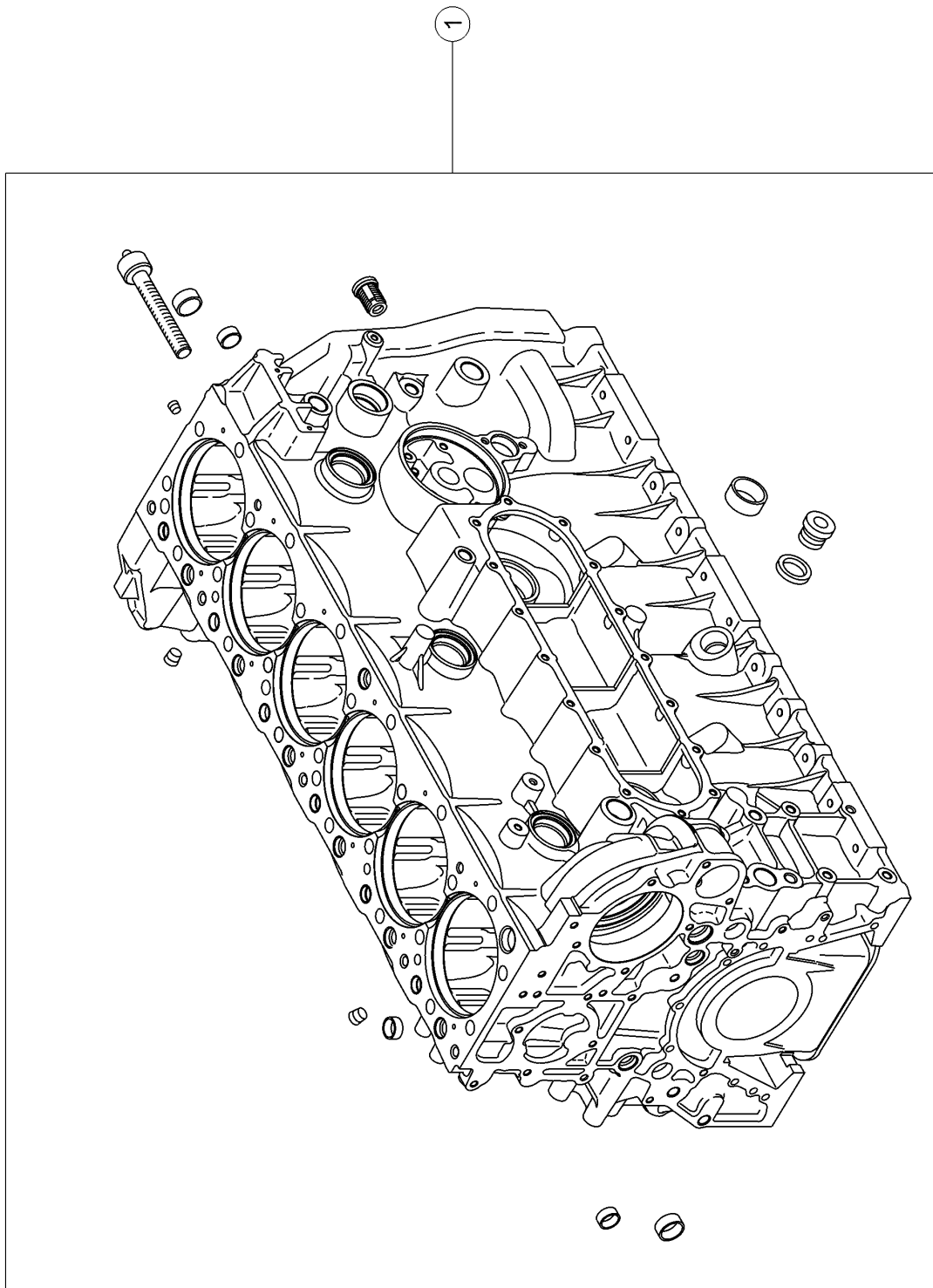


**010 COMPLETE ENGINE**

<b>Pos.</b>	<b>Part No.</b>	<b>Description</b>	<b>Dimension</b>	<b>Quantity</b>	<b>Conditions</b>
1	<b>00 2150 774 1</b>	ENGINE		1	1)
1	<b>00 2150 776 1</b>	ENGINE		1	2)
1	<b>00 2150 779 1</b>	ENGINE		1	3)
1	<b>00 2150 781 1</b>	ENGINE		1	4)
<b>1)</b>	<b>Equipment</b>				
	<b>Remarks</b>	TJ_P02_0061			320 hp max. output, 321 hp type-approved rated output, ECE R 120 300 Ch SANS SCR
<b>2)</b>	<b>Equipment</b>				
	<b>Remarks</b>	TJ_P02_0071			350 hp max. output, 353 hp type-approved rated output, ECE R 120 330 Ch SANS SCR
<b>3)</b>	<b>Equipment</b>				
	<b>Remarks</b>	TJ_P02_0081			380 hp max. output, 383 hp type-approved rated output, ECE R 120 360 Ch SANS SCR
<b>4)</b>	<b>Equipment</b>				
	<b>Remarks</b>	TJ_P02_0091			410 hp max. output, 416 hp type-approved rated output, ECE R 120 390 Ch SANS SCR



**<https://www.ebooklibonline.com>**

Hello dear friend!

Thank you very much for reading.

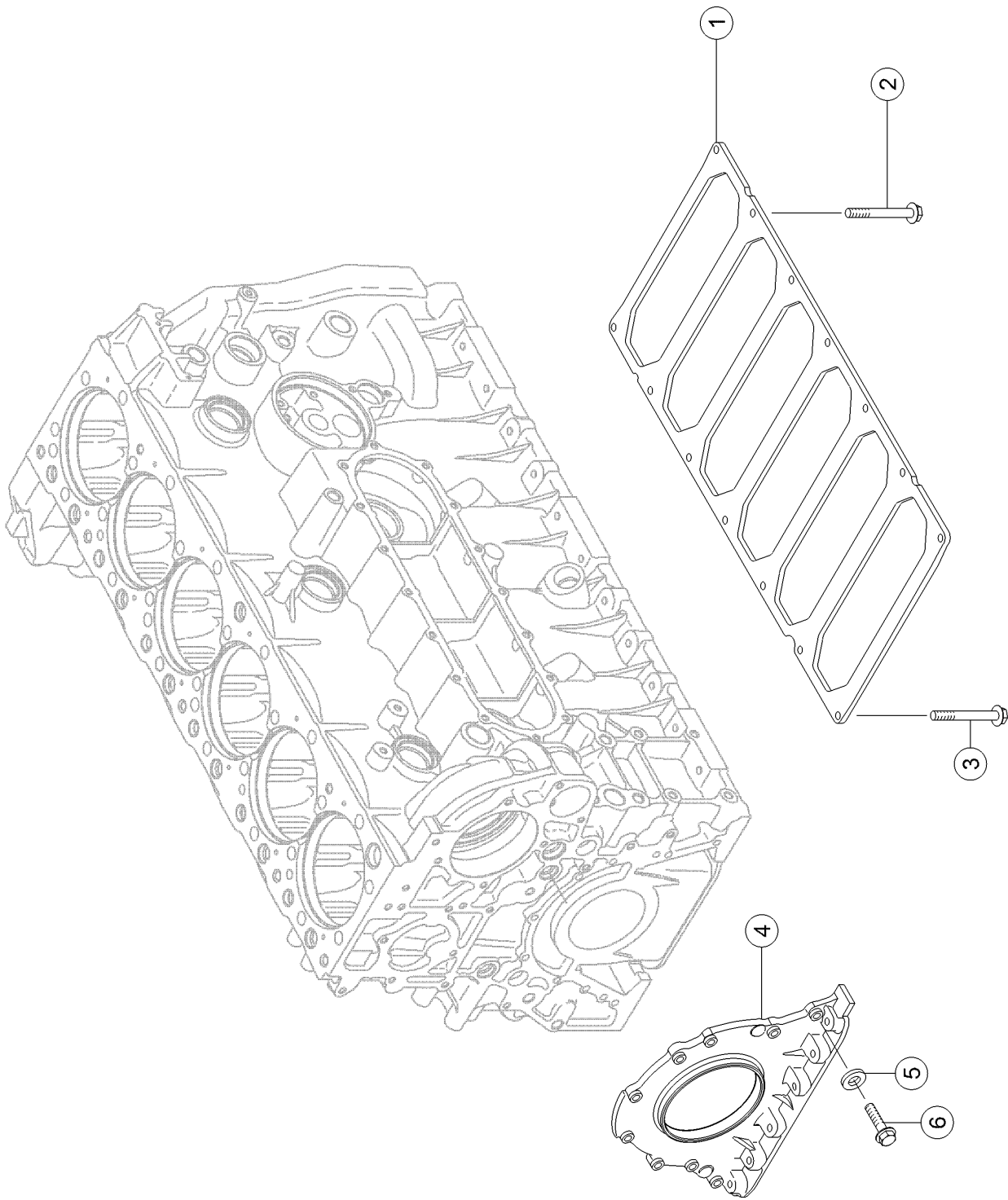
Enter the link into your browser.

The full manual is available for immediate download.

**<https://www.ebooklibonline.com>**

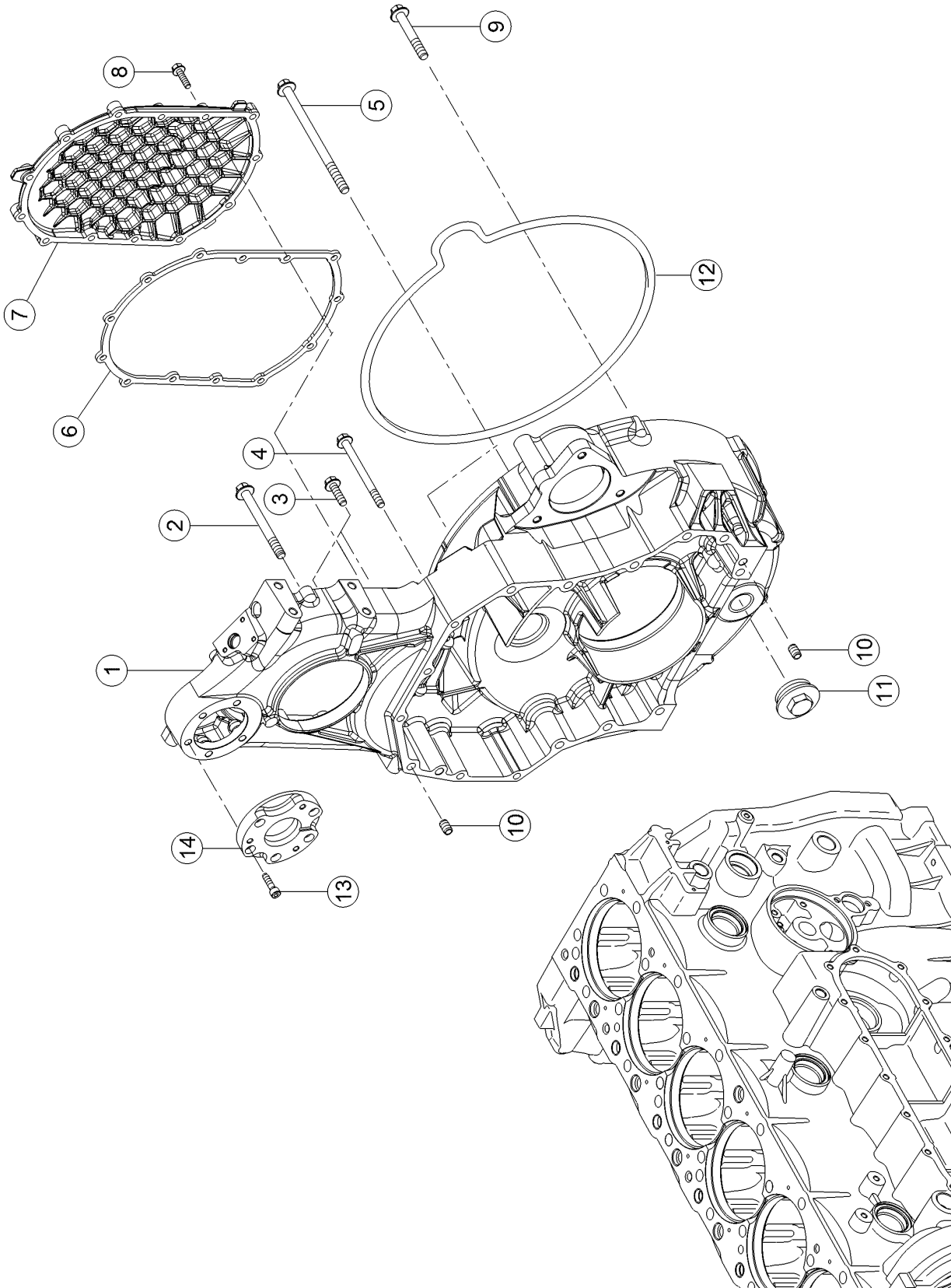
**100 CRANKCASE**

<b>Pos.</b>	<b>Part No.</b>	<b>Description</b>	<b>Dimension</b>	<b>Quantity</b>	<b>Conditions</b>
1	<b>00 1143 130 0</b>	CASING		1	



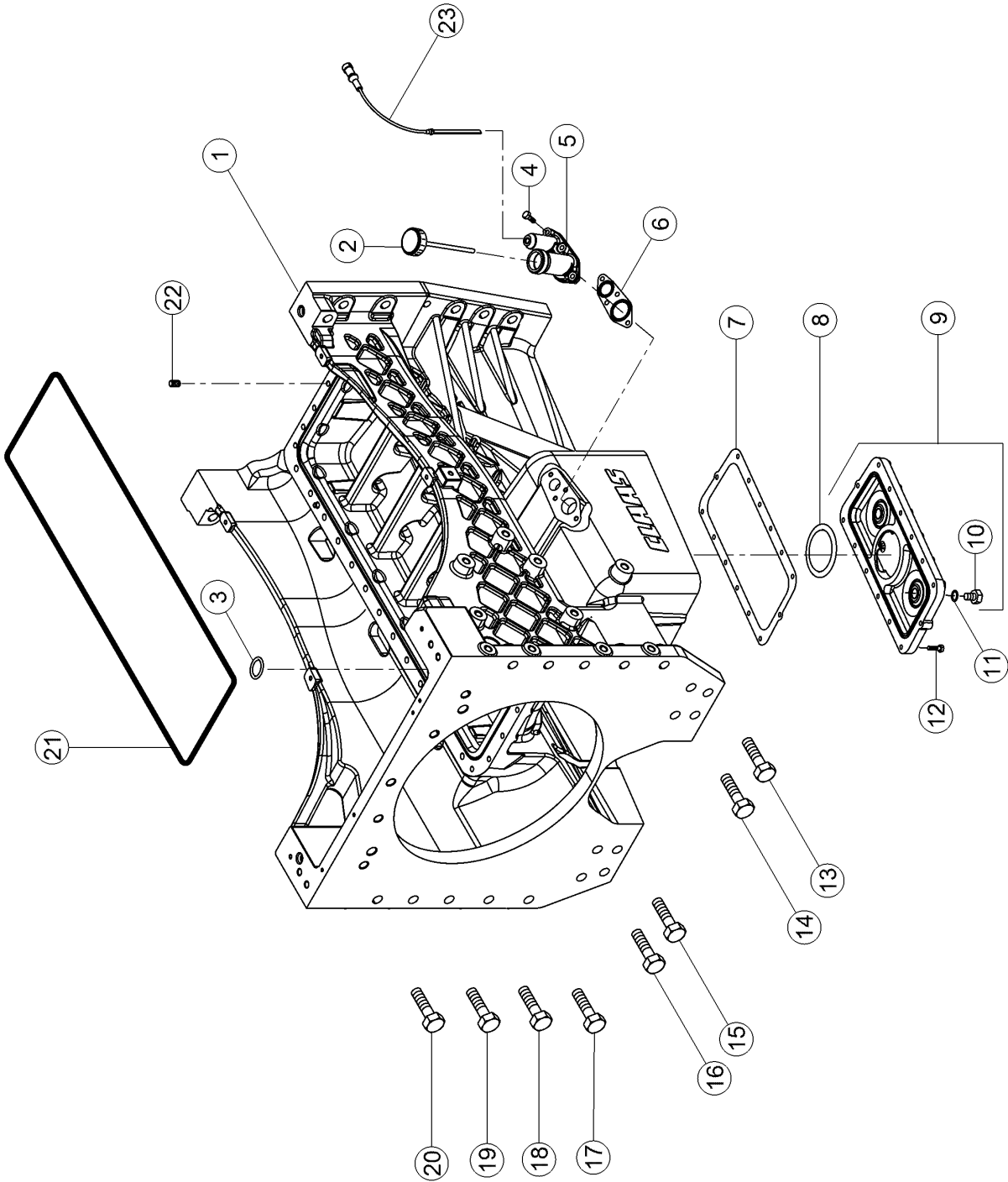
**100 CRANKCASE**

<b>Pos.</b>	<b>Part No.</b>	<b>Description</b>	<b>Dimension</b>	<b>Quantity</b>	<b>Conditions</b>
1	<b>00 1144 000 0</b>	PLATE		1	
2	<b>00 1144 002 0</b>	SCREW	HM10X20	12	
3	<b>00 1144 005 0</b>	SCREW		14	
4	<b>00 1144 006 0</b>	CASING		1	
5	<b>00 1144 007 0</b>	WASHER		9	
6	<b>00 1144 008 0</b>	SCREW		9	



**120 TIMING CASE**

<b>Pos.</b>	<b>Part No.</b>	<b>Description</b>	<b>Dimension</b>	<b>Quantity</b>	<b>Conditions</b>
1	<b>00 1143 461 0</b>	CASING		1	
2	<b>00 1143 462 0</b>	SCREW		2	
3	<b>00 1143 463 0</b>	SCREW		2	
4	<b>00 1143 464 0</b>	SCREW		3	
5	<b>00 1143 465 0</b>	SCREW		3	
6	<b>00 1143 466 0</b>	FLAT SEAL		1	
7	<b>00 1143 467 0</b>	COVER		1	
8	<b>00 1139 925 0</b>	SCREW		13	
9	<b>00 1143 468 0</b>	SCREW		5	
10	<b>00 1143 469 0</b>	CENTRING PIN		2	
11	<b>00 1143 470 0</b>	SCREW PLUG	M5X2	1	
12	<b>00 1143 471 0</b>	FLAT SEAL		1	
13	<b>00 1143 472 0</b>	SCREW	M8X30	5	
14	<b>00 1143 473 0</b>	FLANGE		1	



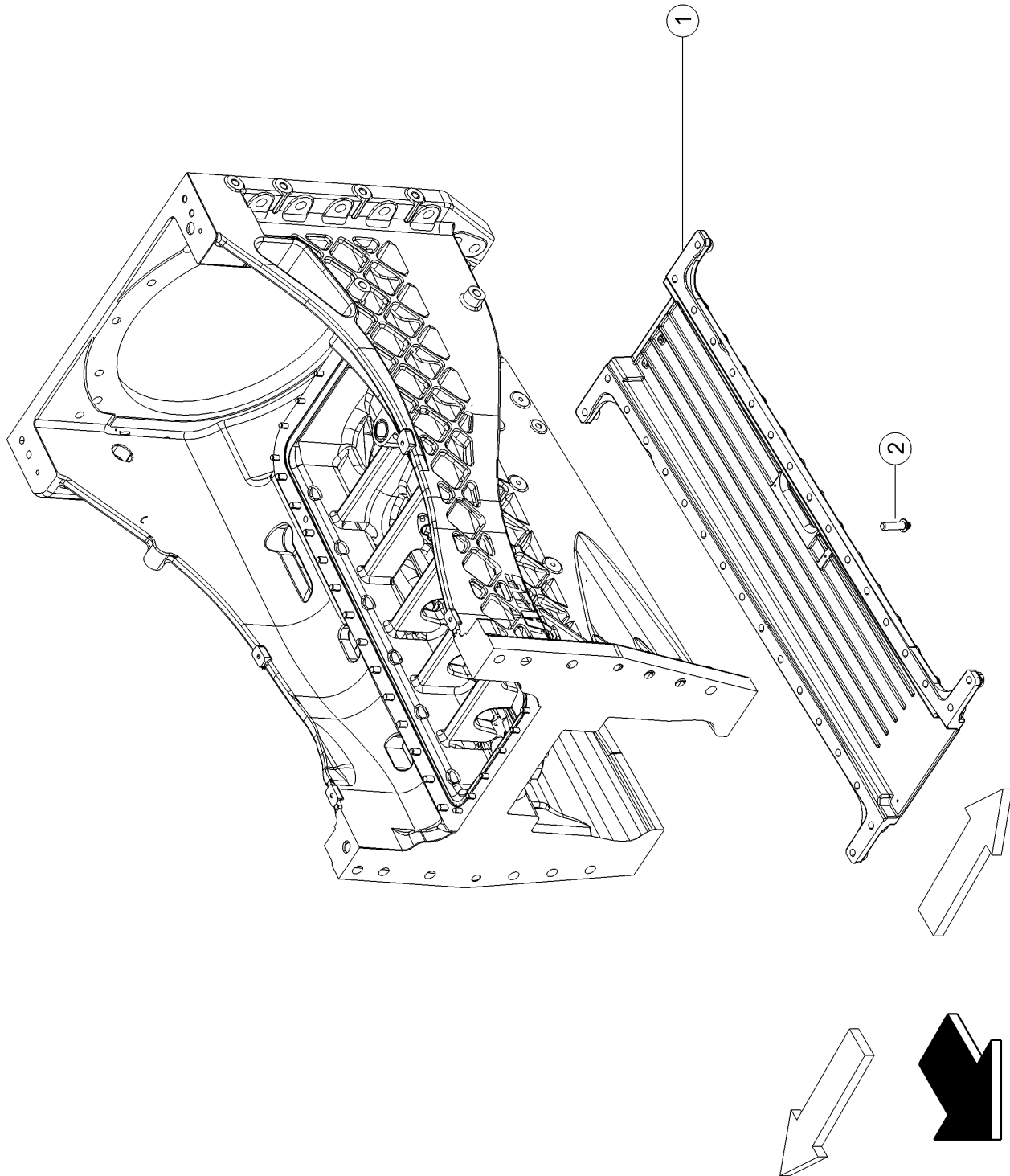
**160 OIL PAN**

Pos.	Part No.	Description	Dimension	Quantity	Conditions
1	<b>00 1144 388 0</b>	CASING		1	
2	<b>00 1143 168 0</b>	PLUG		1	
3	<b>00 1143 169 0</b>	O-RING		1	
4	<b>00 1139 409 0</b>	SCREW		4	
5	<b>00 1143 170 0</b>	TUBE		1	
6	<b>00 1143 171 0</b>	FLAT SEAL		1	
7	<b>00 1143 173 0</b>	FLAT SEAL		1	
8	<b>00 1143 174 0</b>	SEALING RING		1	
9	<b>00 1143 175 0</b>	CASING		1	
10	<b>00 1143 177 0</b>	PLUG		2	
11	<b>77 0102 690 5</b>	O-RING	23,47X2,62 NBR 80 SH	2	
12	<b>00 1143 178 0</b>	SCREW	M08X35	14	
13	<b>00 1143 179 0</b>	SCREW		10	
14	<b>00 1143 180 0</b>	SCREW		14	
15	<b>00 1143 181 0</b>	SCREW		2	
16	<b>00 1143 182 0</b>	SCREW		4	
17	<b>00 1143 188 0</b>	SCREW		1	
18	<b>00 1143 189 0</b>	SCREW		4	
19	<b>00 1143 190 0</b>	SCREW	M12X30	34	
20	<b>00 1143 191 0</b>	SCREW		2	
21	<b>00 1157 268 0</b>	O-RING		1	
22	<b>00 1143 194 0</b>	CENTRING PIN		2	
23	<b>00 1143 353 0</b>	SENSOR		1	1)

**1) CCN**

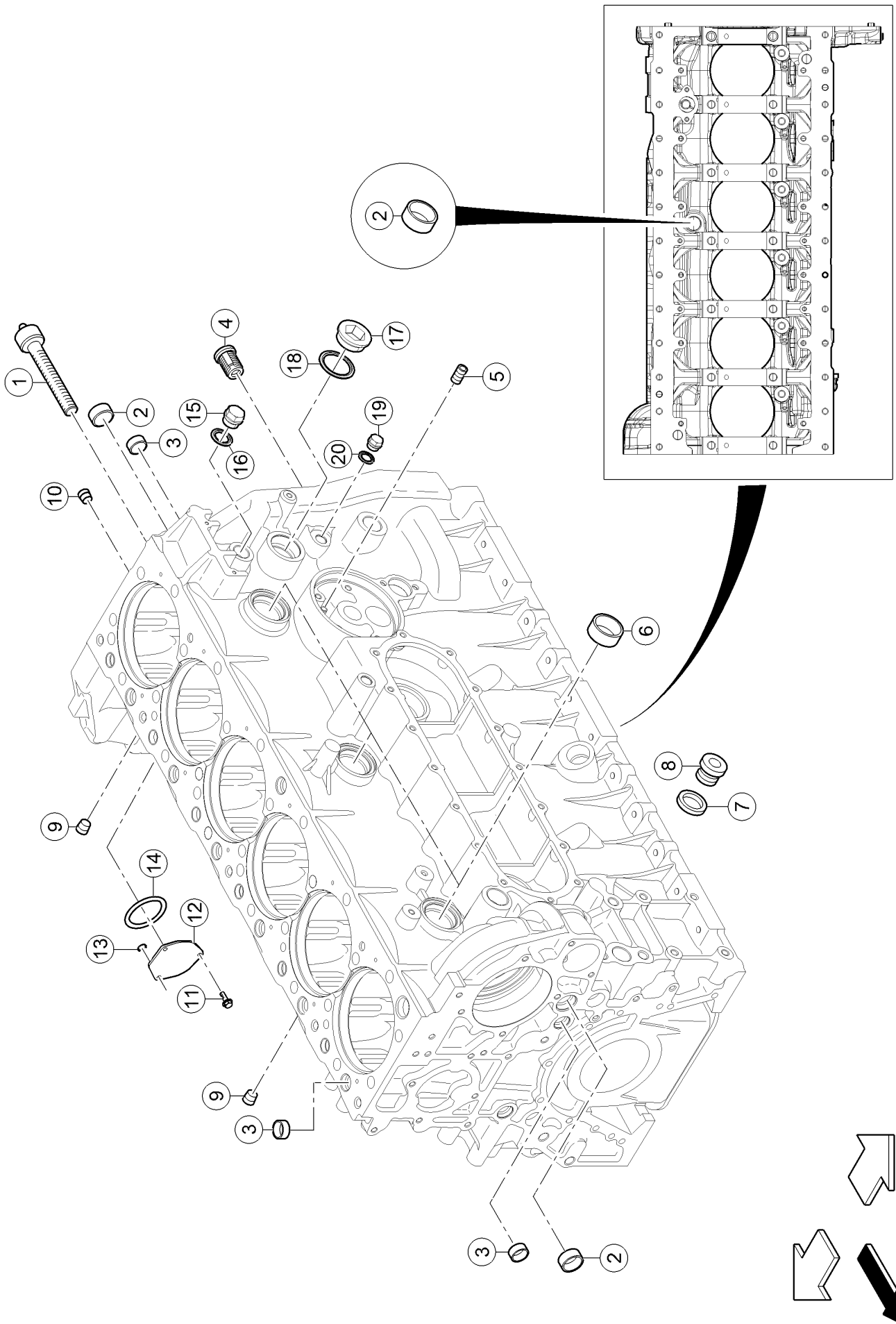
CCN-B052

engine oil level sensor



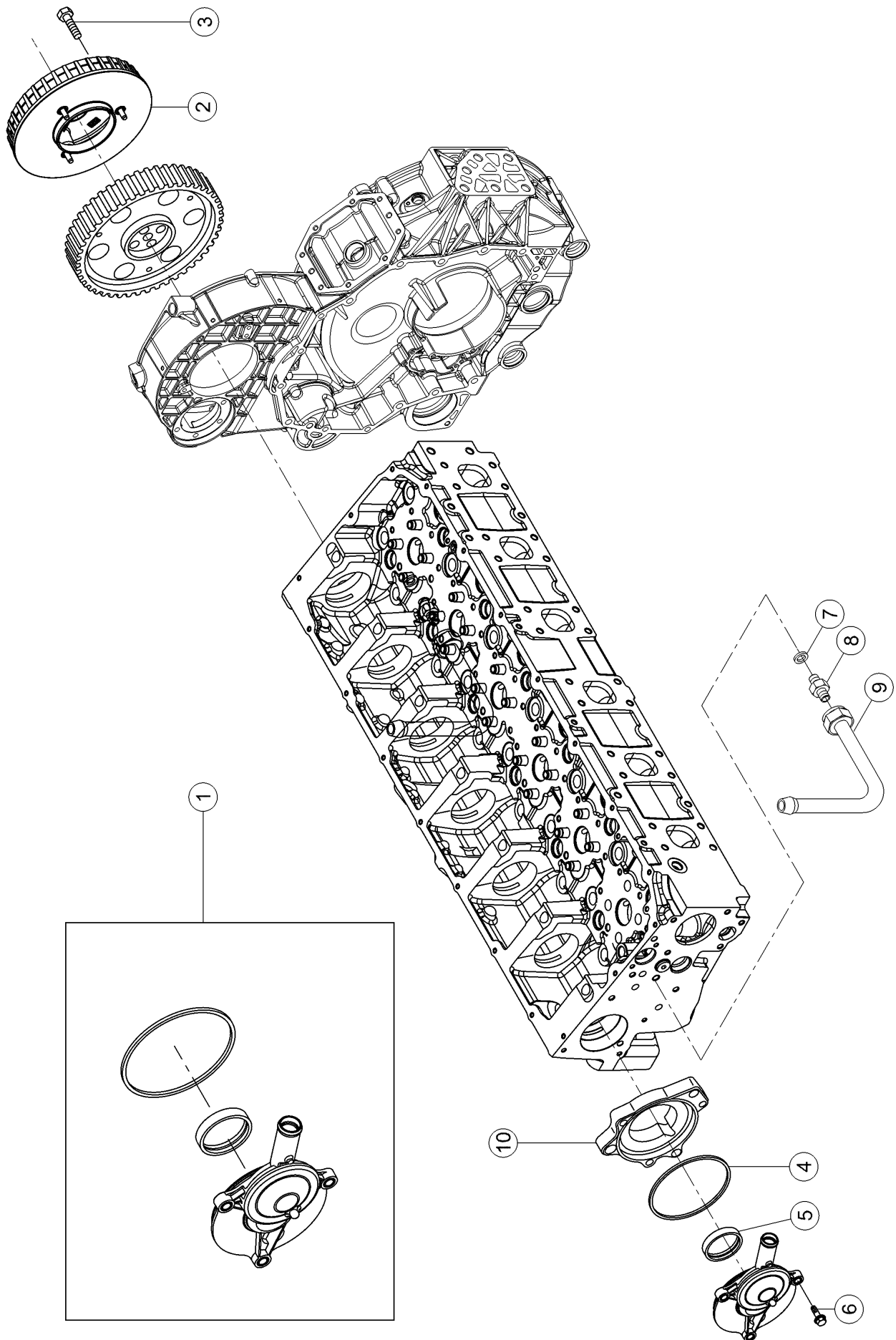
**160 OIL PAN**

<b>Pos.</b>	<b>Part No.</b>	<b>Description</b>	<b>Dimension</b>	<b>Quantity</b>	<b>Conditions</b>
1	<b>00 2153 088 2</b>	PLATE		1	
2	<b>00 2155 900 0</b>	DODECAGON BOLT W.FLANGE	M14X50	34	



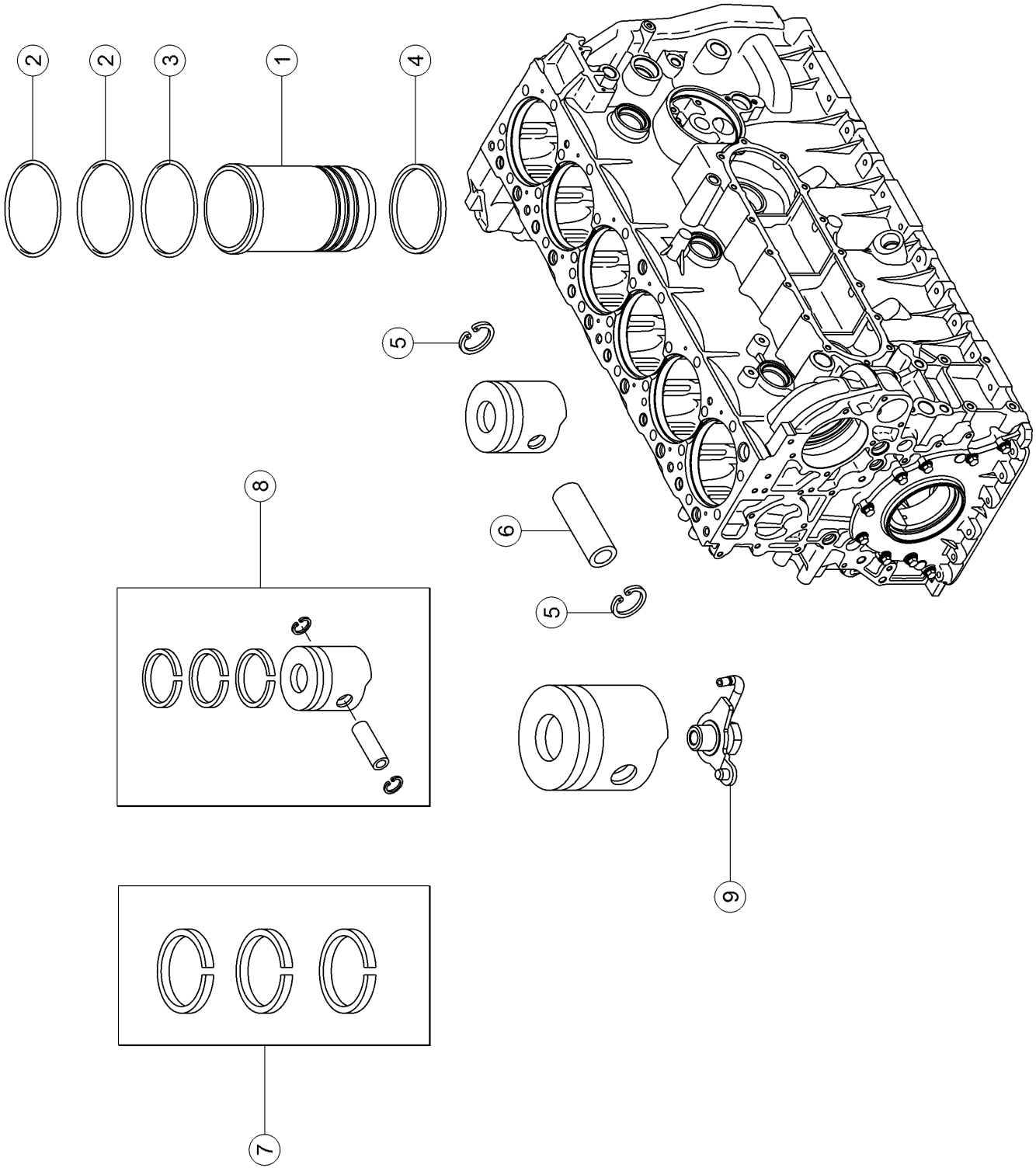
**180 PLUGS**

<b>Pos.</b>	<b>Part No.</b>	<b>Description</b>	<b>Dimension</b>	<b>Quantity</b>	<b>Conditions</b>
1	<b>00 1143 978 0</b>	PLUG		3	
2	<b>60 0502 563 1</b>	PLUG	Ø 28	3	
3	<b>00 1143 979 0</b>	PLUG		10	
4	<b>00 1143 981 0</b>	VALVE		1	
5	<b>00 1143 982 0</b>	CENTRING PIN		3	
6	<b>60 0502 562 9</b>	PLUG	Ø 45	4	
7	<b>60 0503 132 7</b>	GASKET		1	
8	<b>00 1143 983 0</b>	PLUG		1	
9	<b>00 1143 689 0</b>	PLUG	Ø 1/4"	3	
10	<b>00 1139 396 0</b>	PLUG		1	
11	<b>00 1144 670 0</b>	SCREW		3	
12	<b>00 1144 671 0</b>	PLATE		1	
13	<b>00 1144 672 0</b>	O-RING		3	
14	<b>00 1144 674 0</b>	O-RING		1	
15	<b>00 1160 185 0</b>	SCREW		1	
16	<b>00 1140 744 0</b>	SEALING RING		1	
17	<b>60 0502 537 9</b>	LOCK		1	
18	<b>00 1161 121 0</b>	GASKET		1	
19	<b>00 1138 789 0</b>	SCREW PLUG		1	
20	<b>60 0503 101 3</b>	SEALING RING		1	



**200 CRANK CASE BREATHER**

<b>Pos.</b>	<b>Part No.</b>	<b>Description</b>	<b>Dimension</b>	<b>Quantity</b>	<b>Conditions</b>
1	<b>00 1144 495 0</b>	BREATHER		1	
2	<b>00 1144 496 0</b>	OIL VAPOUR FILTER		1	
3	<b>00 1140 737 0</b>	HEXAGON HEAD BOLT	M6X16	3	
4	<b>00 1144 497 0</b>	O-RING		1	
5	<b>00 1144 498 0</b>	SEALING RING		1	
6	<b>00 1144 071 0</b>	SCREW	M06X20	3	
7	<b>00 1145 280 0</b>	SEALING RING		1	
8	<b>00 1145 281 0</b>	UNION CONNECTOR		1	
9	<b>00 1145 282 0</b>	TUBE		1	
10	<b>00 1152 714 0</b>	SUPPORT		1	



**100 CYLINDER LINER, PISTON**

Pos.	Part No.	Description	Dimension	Quantity	Conditions
1	<b>00 1143 543 0</b>	LINER		6	
2	<b>00 1143 544 0</b>	O-RING		12	1)
3	<b>00 1143 545 0</b>	O-RING		6	1)
4	<b>00 1143 546 0</b>	ADJUSTING DISC		6	2)
4	<b>00 1143 548 0</b>	ADJUSTING DISC		6	3)
4	<b>00 1143 549 0</b>	ADJUSTING DISC		6	4)
4	<b>00 1143 550 0</b>	ADJUSTING DISC		6	5)
5	<b>00 1143 551 0</b>	INT RETAINING RING		12	
6	<b>00 1143 552 0</b>	AXLE		6	
7	<b>00 1143 553 0</b>	SET OF PISTON RINGS		6	
8	<b>00 1143 554 0</b>	PLUNGER		6	
9	<b>00 1160 755 0</b>	NOZZLE		6	

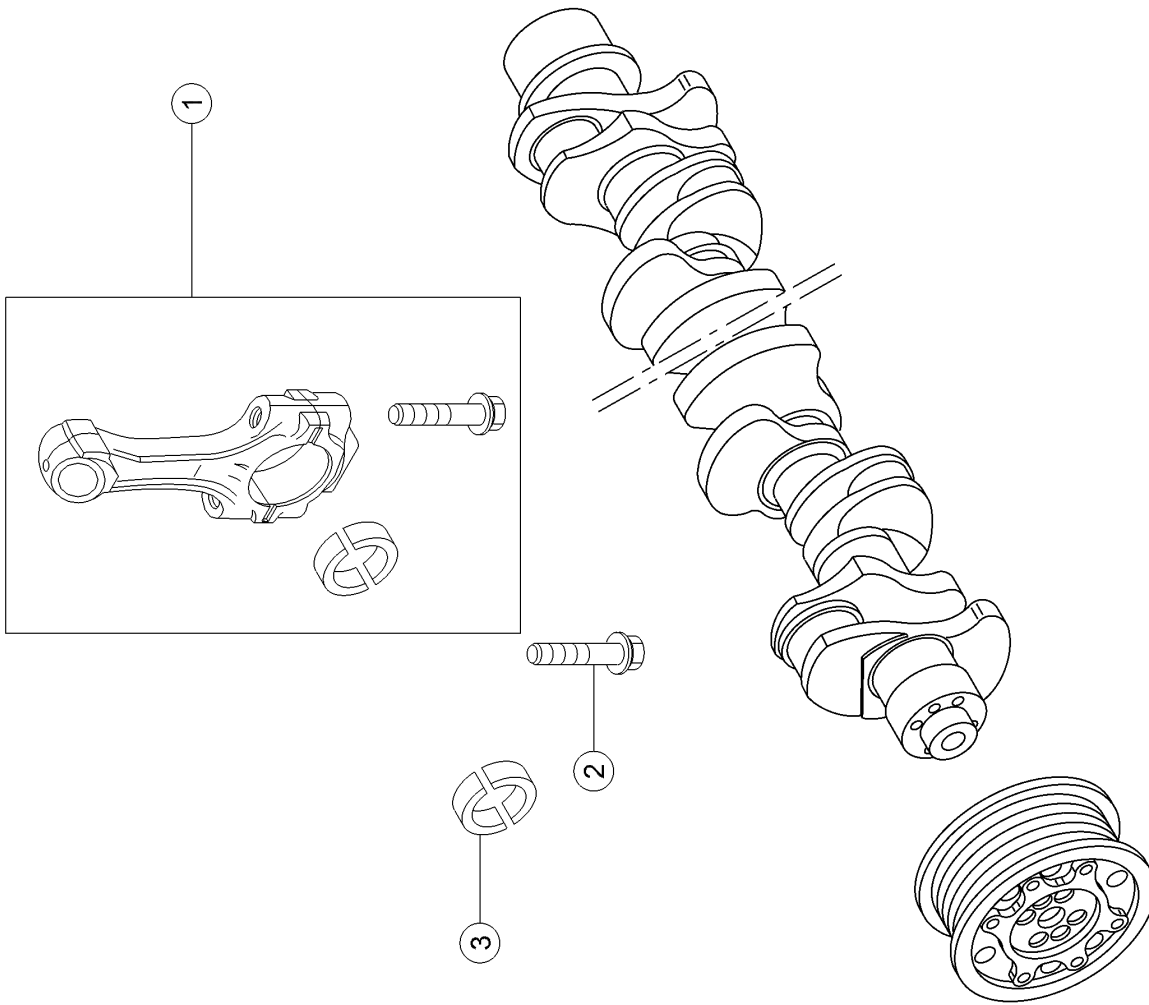
<b>1) Remarks</b>	Dia 120,24 ep 3,53mm
-------------------	----------------------

<b>2) Remarks</b>	ep = 0,08mm
-------------------	-------------

<b>3) Remarks</b>	ep = 0,10 mm
-------------------	--------------

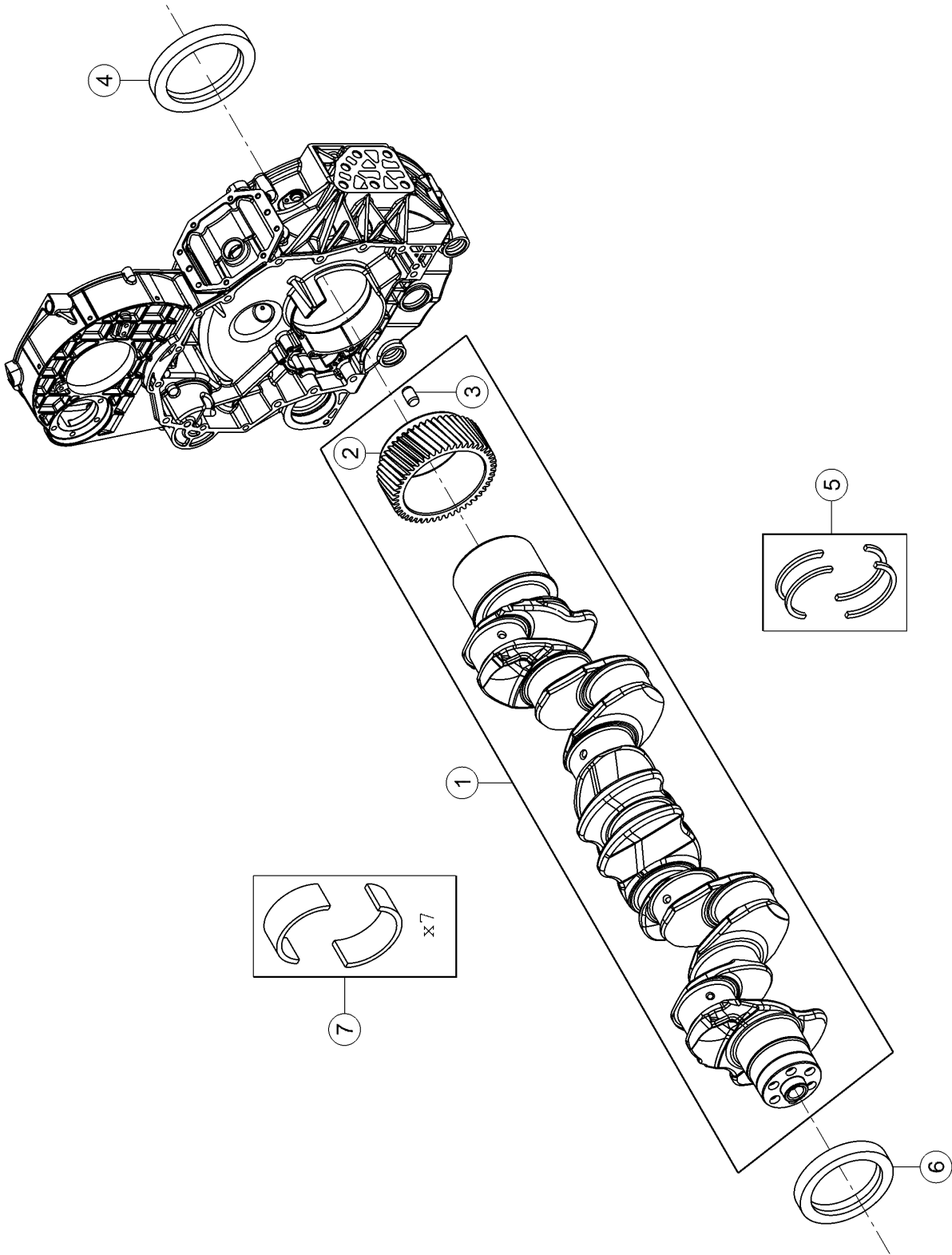
<b>4) Remarks</b>	ep = 0,12 mm
-------------------	--------------

<b>5) Remarks</b>	ep = 0,14 mm
-------------------	--------------



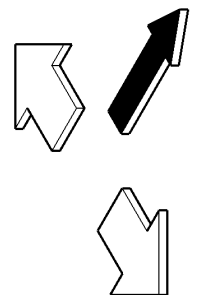
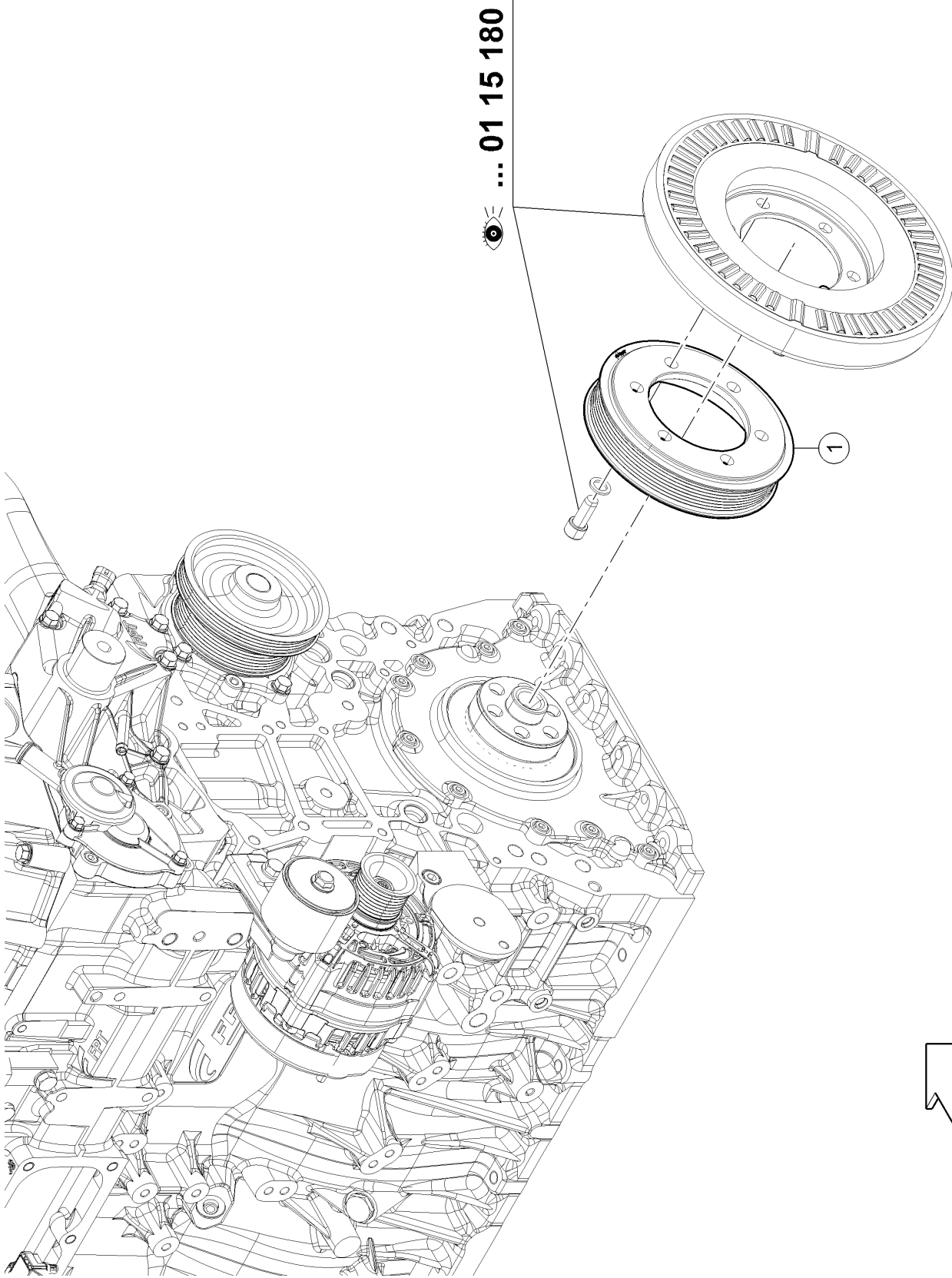
**120 CONNECTING ROD, CONNECTING ROD BEARINGS**

Pos.	Part No.	Description	Dimension	Quantity	Conditions
1	<b>00 1155 870 0</b>	ROD (ENGINE)		6	
2	<b>00 1143 611 0</b>	SCREW		12	
3	<b>00 1148 092 0</b>	SET OF BEARING BUSHES		6	1)
3	<b>00 1148 093 0</b>	SET OF BEARING BUSHES		6	2)
3	<b>00 1148 094 0</b>	SET OF BEARING BUSHES		6	3)
3	<b>00 1148 095 0</b>	SET OF BEARING BUSHES		6	4)
3	<b>00 1148 096 0</b>	SET OF BEARING BUSHES		6	5)
3	<b>00 1148 097 0</b>	SET OF BEARING BUSHES		6	6)
3	<b>00 1148 098 0</b>	SET OF BEARING BUSHES		6	7)
3	<b>00 1148 099 0</b>	SET OF BEARING BUSHES		6	8)
<b>1)</b>	<b>Remarks</b>		rouge standard		
<b>2)</b>	<b>Remarks</b>		vert standard		
<b>3)</b>	<b>Remarks</b>		rouge noir -0,127 mm		
<b>4)</b>	<b>Remarks</b>		vert noir -0,127 mm		
<b>5)</b>	<b>Remarks</b>		rouge - 0,254 mm		
<b>6)</b>	<b>Remarks</b>		vert -0,254 mm		
<b>7)</b>	<b>Remarks</b>		rouge -0,508 mm		
<b>8)</b>	<b>Remarks</b>		vert -0,508 mm		



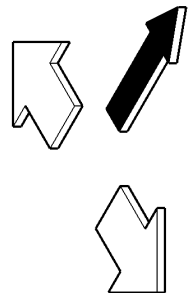
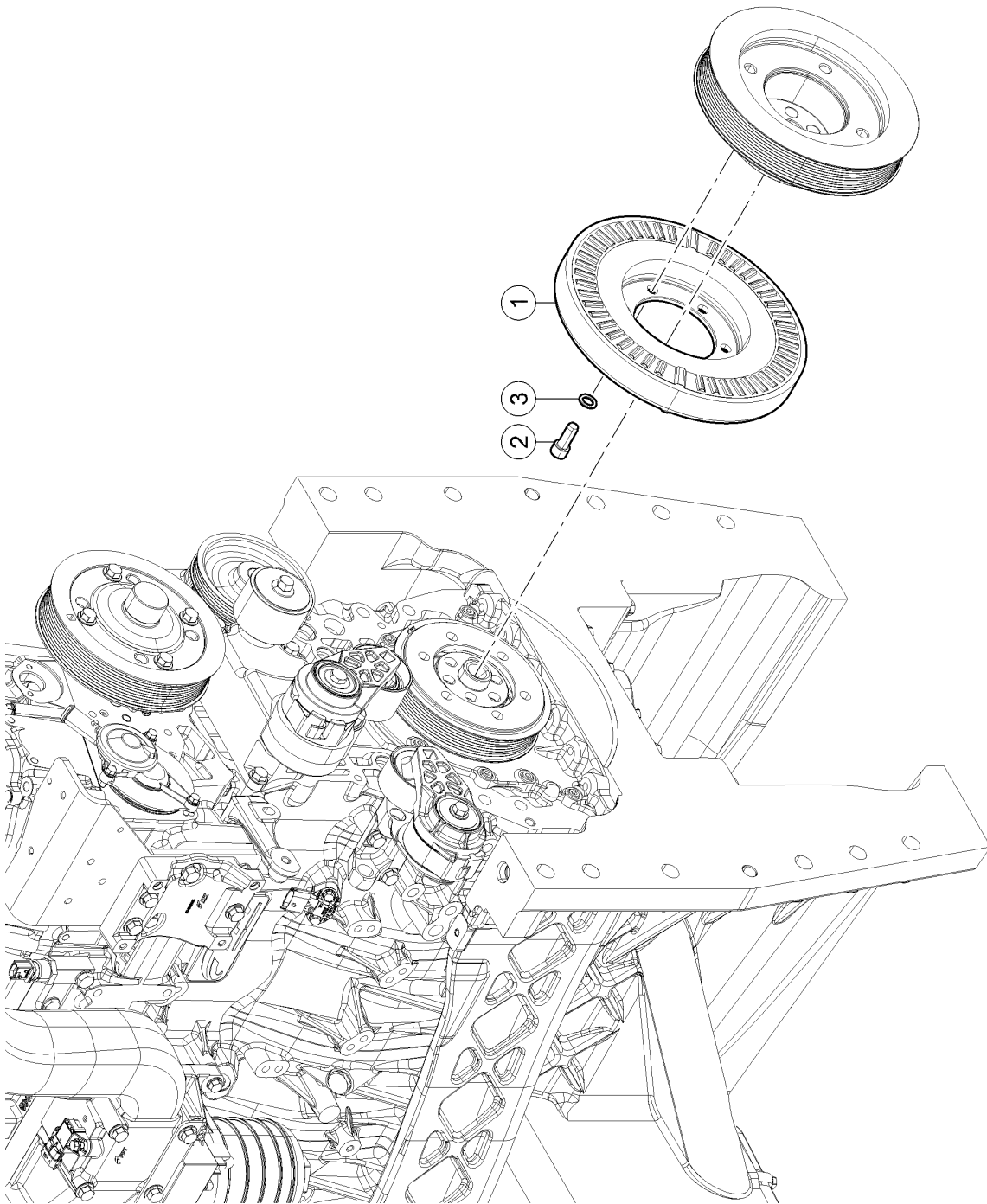
**140 CRANKSHAFT**

<b>Pos.</b>	<b>Part No.</b>	<b>Description</b>	<b>Dimension</b>	<b>Quantity</b>	<b>Conditions</b>
1	<b>00 1143 202 0</b>	CRANKSHAFT		1	
2	<b>00 1155 902 0</b>	GEAR		1	
3	<b>60 0502 560 7</b>	PIN		1	
4	<b>00 1143 204 0</b>	SEALING RING		1	
5	<b>00 1143 205 0</b>	CHOCK		1	
6	<b>00 1143 206 0</b>	SEALING RING		1	
7	<b>00 1143 207 0</b>	SET OF BEARING BUSHES		1	1)
7	<b>00 1143 208 0</b>	SET OF BEARING BUSHES		1	2)
7	<b>00 1143 209 0</b>	SET OF BEARING BUSHES		1	3)
7	<b>00 1145 940 0</b>	SET OF BEARING BUSHES		1	4)
<b>1)</b>	<b>Remarks</b>		ROUGE .STD		
<b>2)</b>	<b>Remarks</b>		VERT .STD		
<b>3)</b>	<b>Remarks</b>		ROUGE NOIR . -0,127		
<b>4)</b>	<b>Remarks</b>		VERT NOIR . -0,127		



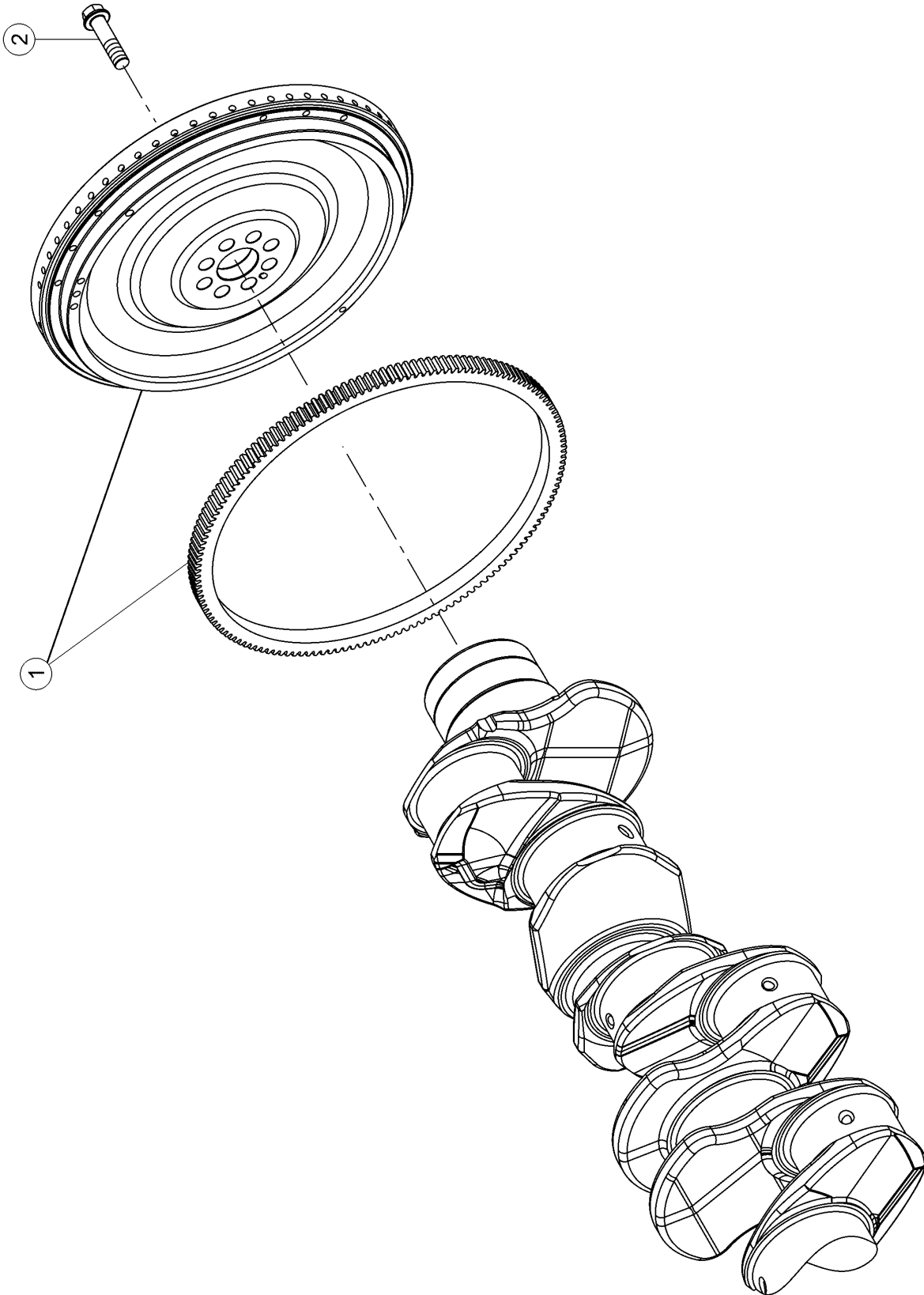
**160 CRANKSHAFT PULLEY WHEEL**

<b>Pos.</b>	<b>Part No.</b>	<b>Description</b>	<b>Dimension</b>	<b>Quantity</b>	<b>Conditions</b>
1	<b>00 1144 850 0</b>	PULLEY		1	



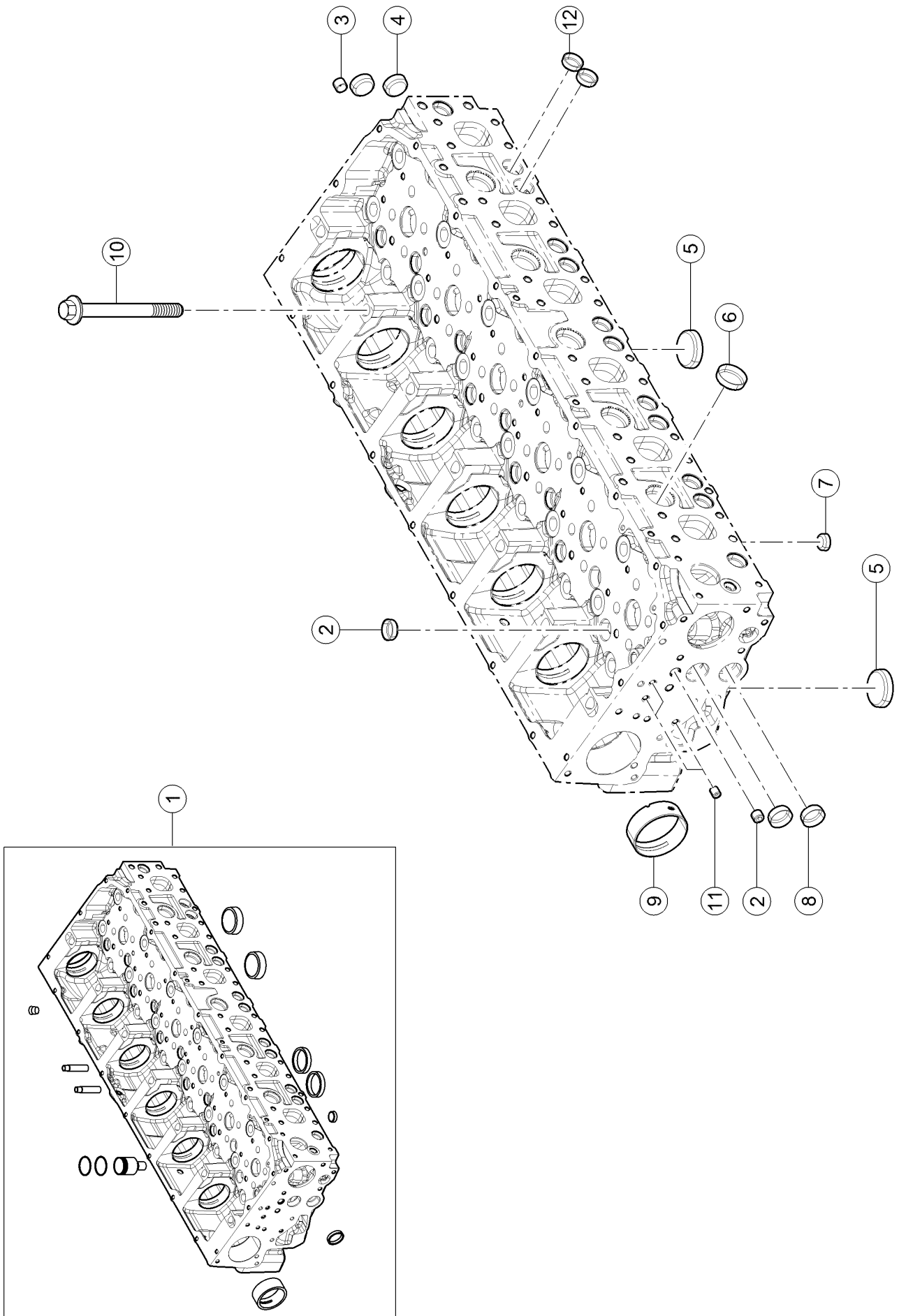
**180 CRANKSHAFT DAMPER**

<b>Pos.</b>	<b>Part No.</b>	<b>Description</b>	<b>Dimension</b>	<b>Quantity</b>	<b>Conditions</b>
1	<b>00 1143 621 0</b>	TORSIONAL DAMPER		1	
2	<b>00 1143 623 0</b>	SCREW	M12X30-U-S4-S -M.FL.SCHE	1	
3	<b>00 1143 622 0</b>	WASHER		1	



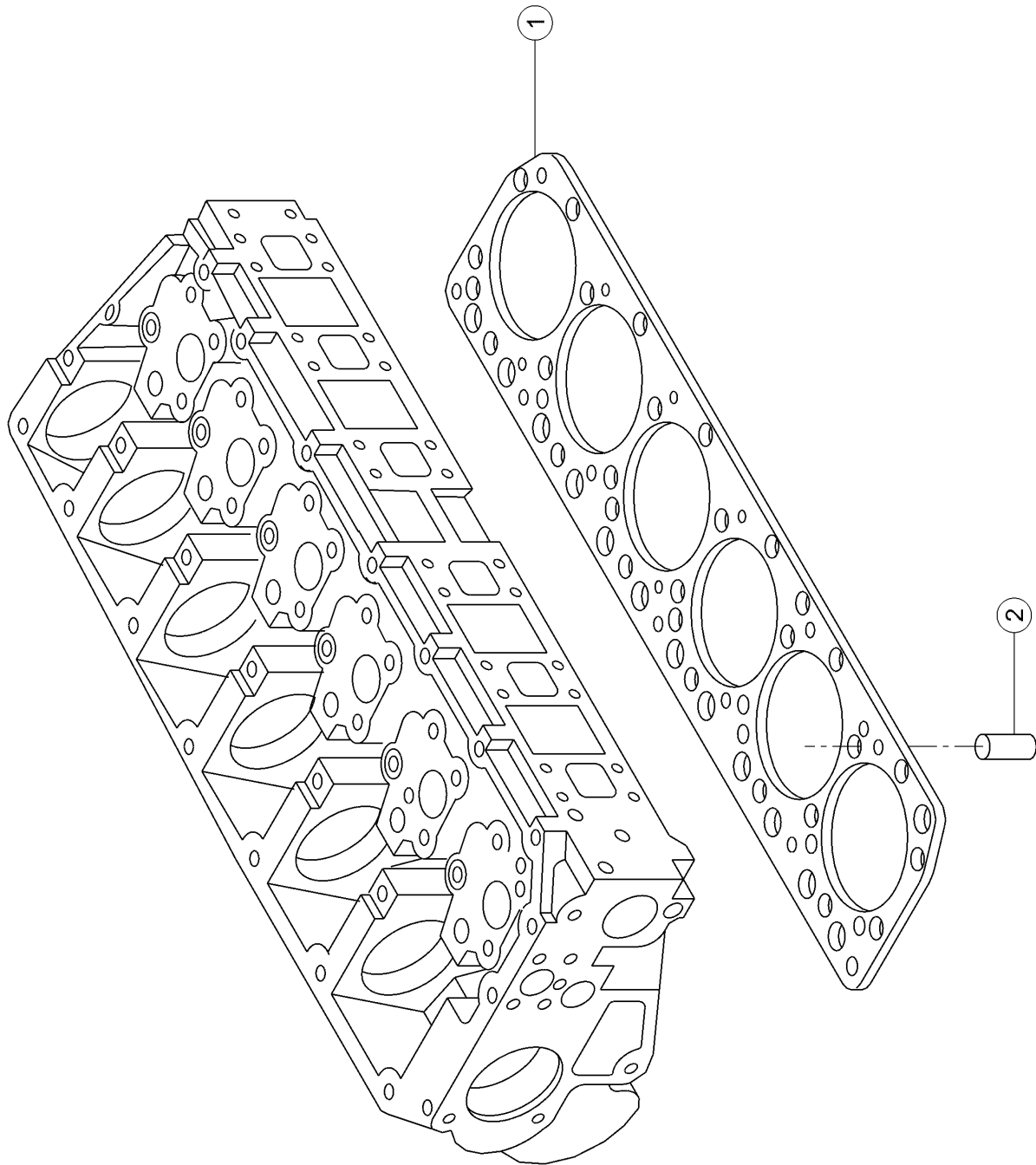
**220 FLYWHEEL**

<b>Pos.</b>	<b>Part No.</b>	<b>Description</b>	<b>Dimension</b>	<b>Quantity</b>	<b>Conditions</b>
1	<b>00 1143 451 0</b>	FLYWHEEL		1	
2	<b>00 1143 452 0</b>	SCREW		8	



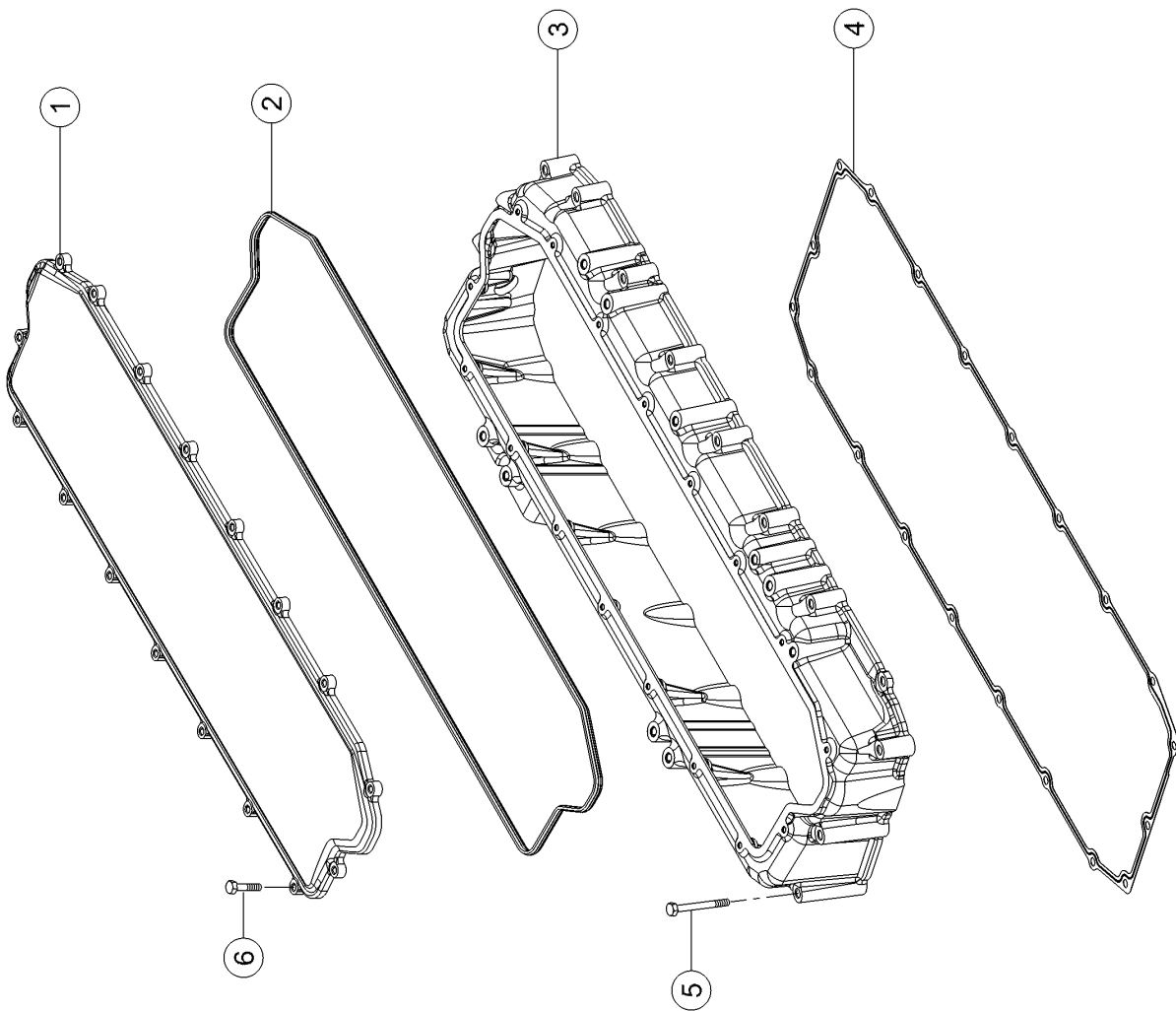
**100 CYLINDER HEAD**

<b>Pos.</b>	<b>Part No.</b>	<b>Description</b>	<b>Dimension</b>	<b>Quantity</b>	<b>Conditions</b>
1	<b>00 1150 672 0</b>	CYLINDER HEAD		1	
2	<b>00 1143 688 0</b>	PLUG	Ø 25	12	
3	<b>00 1143 689 0</b>	PLUG	Ø 1/4"	2	
4	<b>60 0502 563 1</b>	PLUG	Ø 28	2	
5	<b>60 0502 562 9</b>	PLUG	Ø 45	2	
6	<b>60 0502 538 1</b>	LOCK	Ø 36	6	
7	<b>60 0502 563 0</b>	LOCK	Ø 20	6	
8	<b>60 0502 563 1</b>	PLUG	Ø 28	2	
9	<b>00 1143 690 0</b>	BEARING BUSH		7	
10	<b>00 1143 952 0</b>	SCREW	M16X170	26	
11	<b>00 1161 767 0</b>	COVER		3	
12	<b>00 1143 688 0</b>	PLUG	Ø 25	12	



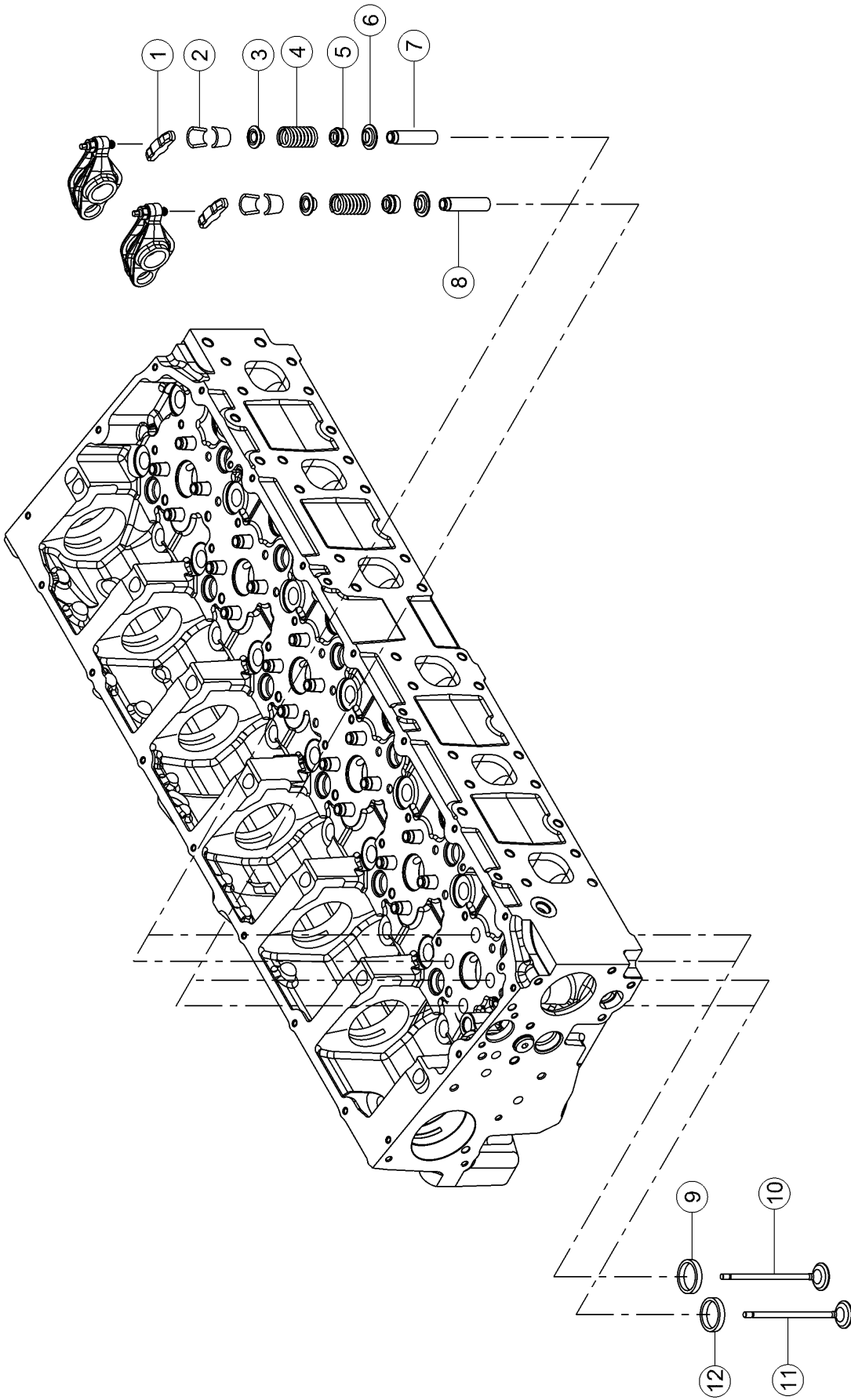
**100 CYLINDER HEAD**

<b>Pos.</b>	<b>Part No.</b>	<b>Description</b>	<b>Dimension</b>	<b>Quantity</b>	<b>Conditions</b>
1	<b>00 1145 114 0</b>	CYLINDER HEAD GASKET		1	
2	<b>00 1143 982 0</b>	CENTRING PIN		2	



**120 CYLINDER HEAD COVER**

<b>Pos.</b>	<b>Part No.</b>	<b>Description</b>	<b>Dimension</b>	<b>Quantity</b>	<b>Conditions</b>
1	<b>00 1144 066 0</b>	ROCKER COVER		1	
2	<b>00 1144 070 0</b>	FLAT SEAL		1	
3	<b>00 1144 068 0</b>	ROCKER COVER		1	
4	<b>00 1144 069 0</b>	FLAT SEAL		1	
5	<b>00 1139 400 0</b>	SCREW	HM08X50	8	
5	<b>00 1144 072 0</b>	SCREW	M08X90	11	
5	<b>00 1139 456 0</b>	SCREW		1	
6	<b>00 1144 071 0</b>	SCREW	M06X20	17	





**Suggest:**

**For more complete manuals. Please go to the home page.**

**<https://www.ebooklibonline.com>**

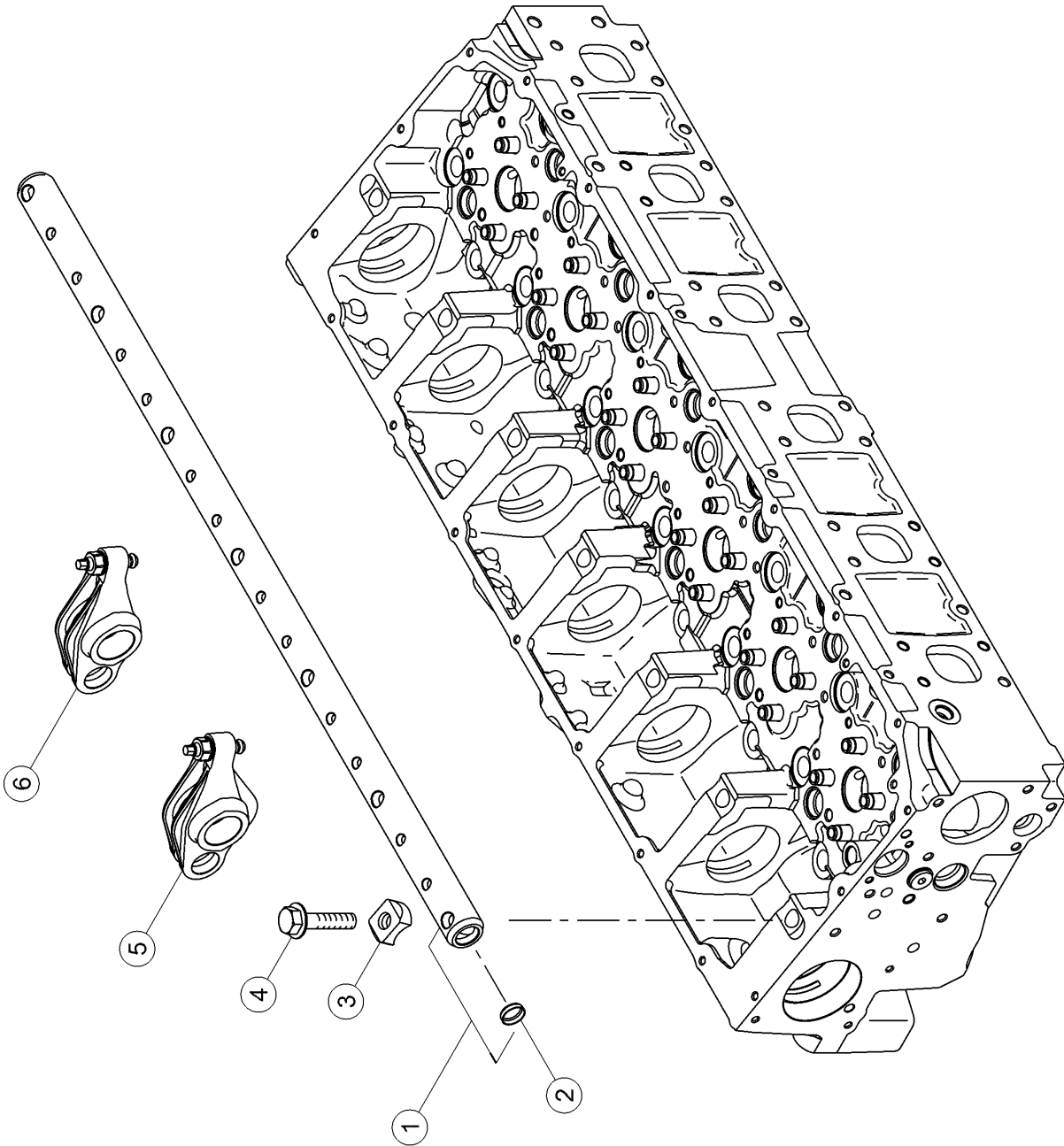
**If the above button click is invalid. Please download this document first, and then click the above link to download the complete manual.**

**Thank you so much for reading**

**140 VALVES**

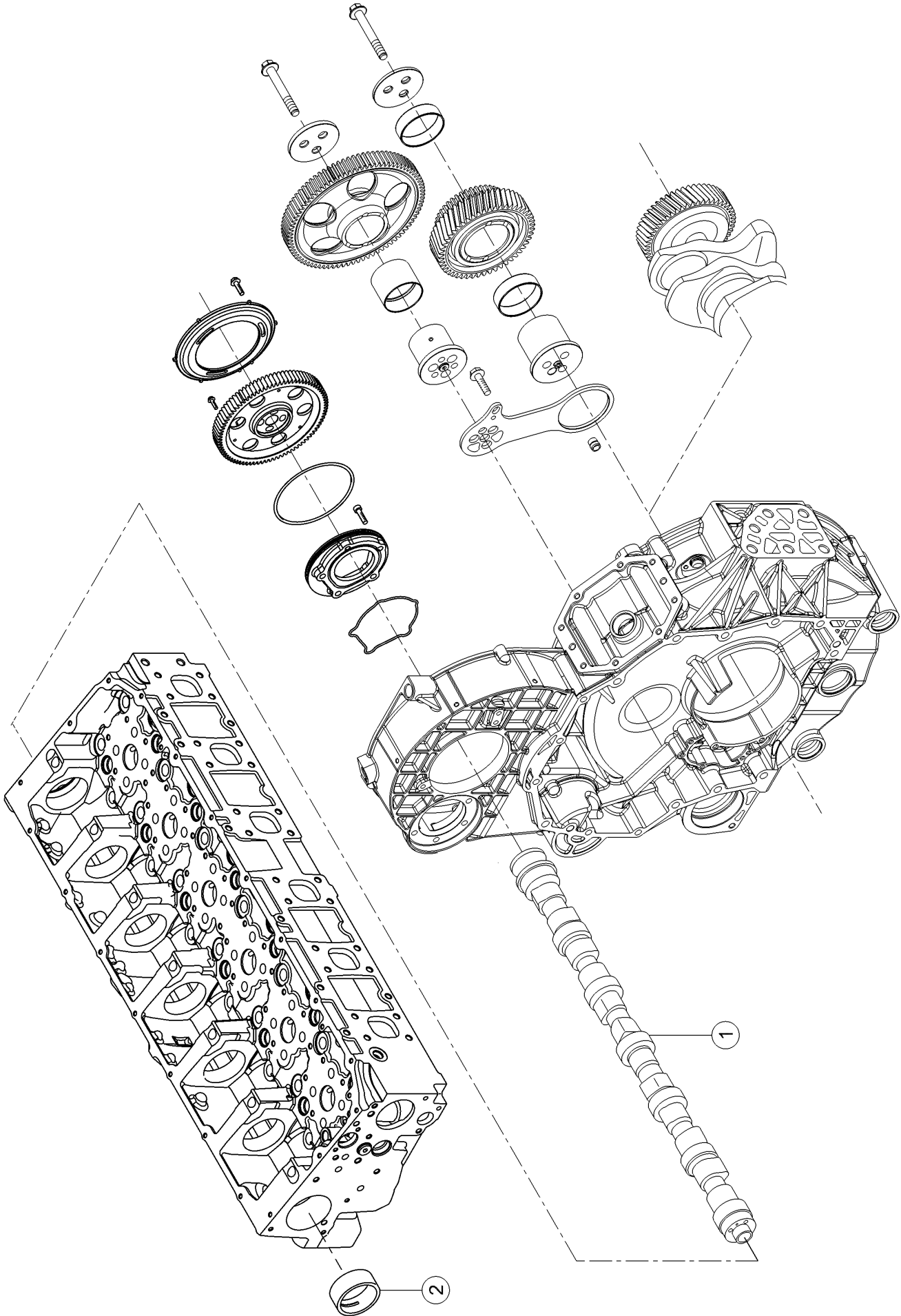
Pos.	Part No.	Description	Dimension	Quantity	Conditions
1	<b>00 1143 744 0</b>	TIPPER		12	
2	<b>00 1143 745 0</b>	HALF-CONE		48	
3	<b>00 1143 746 0</b>	BOWL		24	
4	<b>00 1143 748 0</b>	SPRING		24	
5	<b>00 1140 005 0</b>	SEAL		24	
6	<b>00 1143 749 0</b>	BOWL		24	
7	<b>00 1143 750 0</b>	GUIDE		12	1)
7	<b>00 1143 755 0</b>	GUIDE		12	2)
8	<b>00 1143 756 0</b>	GUIDE		12	3)
8	<b>00 1143 757 0</b>	GUIDE		12	4)
9	<b>00 1143 758 0</b>	VALVE SEAT		12	5)
10	<b>00 1143 760 1</b>	ENGINE VALVE		12	5)
11	<b>00 1143 759 1</b>	ENGINE VALVE		12	6)
12	<b>00 1143 761 0</b>	VALVE SEAT		12	6)

<b>1) Remarks</b>	ECHAPPEMENT STANDARD
<b>2) Remarks</b>	ECHAPPEMENT +0,2
<b>3) Remarks</b>	ADMISSION STANDARD
<b>4) Remarks</b>	ADMISSION +0,2
<b>5) Remarks</b>	ECHAPPEMENT
<b>6) Remarks</b>	ADMISSION



**160 ROCKER ARM**

<b>Pos.</b>	<b>Part No.</b>	<b>Description</b>	<b>Dimension</b>	<b>Quantity</b>	<b>Conditions</b>
1	<b>00 1143 435 0</b>	SHAFT		1	
2	<b>00 1139 790 0</b>	PLUG		2	
3	<b>00 1143 821 0</b>	FLANGE		7	
4	<b>00 1143 822 0</b>	SCREW		7	
5	<b>00 1143 823 0</b>	ROCKER ARM		6	
6	<b>00 1143 824 0</b>	ROCKER ARM		6	



**<https://www.ebooklibonline.com>**

Hello dear friend!

Thank you very much for reading.

Enter the link into your browser.

The full manual is available for immediate download.

**<https://www.ebooklibonline.com>**