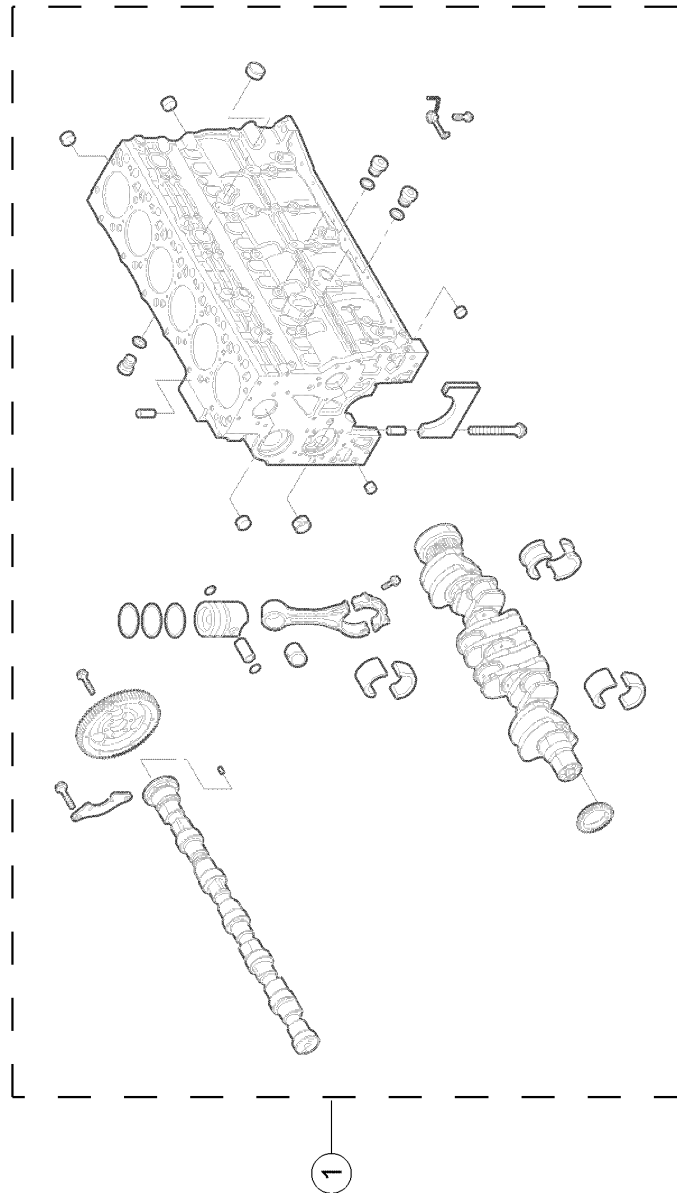


**010 COMPLETE ENGINE**

Pos.	Part No.	Description	Dimension	Quantity	Conditions
1	<b>00 1170 959 0</b>	ENGINE		1	1)
2	<b>00 1170 958 0</b>	ENGINE		1	2)
3	<b>00 1170 956 0</b>	ENGINE		1	3)
4	<b>00 1170 955 0</b>	ENGINE		1	4)
5	<b>00 2622 135 0</b>	ENGINE	168 KW CVT A51-820NA	1	5)
6	<b>00 2622 137 0</b>	ENGINE	179 KW CVT A51-840NA	1	6)
7	<b>00 2622 145 0</b>	ENGINE	192 KW CVT-A51-860 NA	1	7)
8	<b>00 2622 146 0</b>	ENGINE	209 KW CVT A51-880 NA	1	8)

<b>1)</b>	<b>Equipment</b>	TJ_P02_0511	215 hp max. output, 228 hp type-approved rated output, ECE R 120
<b>2)</b>	<b>Equipment</b>	TJ_P02_0512	235 hp max. output, 243 hp type-approved rated output, ECE R 120
<b>3)</b>	<b>Equipment</b>	TJ_P02_0513	264 hp max. output, 261 hp type-approved rated output, ECE R 120
<b>4)</b>	<b>Equipment</b>	TJ_P02_0514	295 hp max. output, 284 hp type-approved rated output, ECE R 120
<b>5)</b>	<b>Equipment</b>	TJ_P02_0515	215 Rated engine HP R120, 194 rated PTO HP SAE
<b>6)</b>	<b>Equipment</b>	TJ_P02_0516	230 Rated engine HP R120, 209 rated PTO HP SAE
<b>7)</b>	<b>Equipment</b>	TJ_P02_0517	250 Rated engine HP R120, 223 rated PTO HP SAE
<b>8)</b>	<b>Equipment</b>	TJ_P02_0518	265/280 Rated engine HP R120, 224/240 rated PTO HP SAE



**<https://www.ebooklibonline.com>**

Hello dear friend!

Thank you very much for reading.

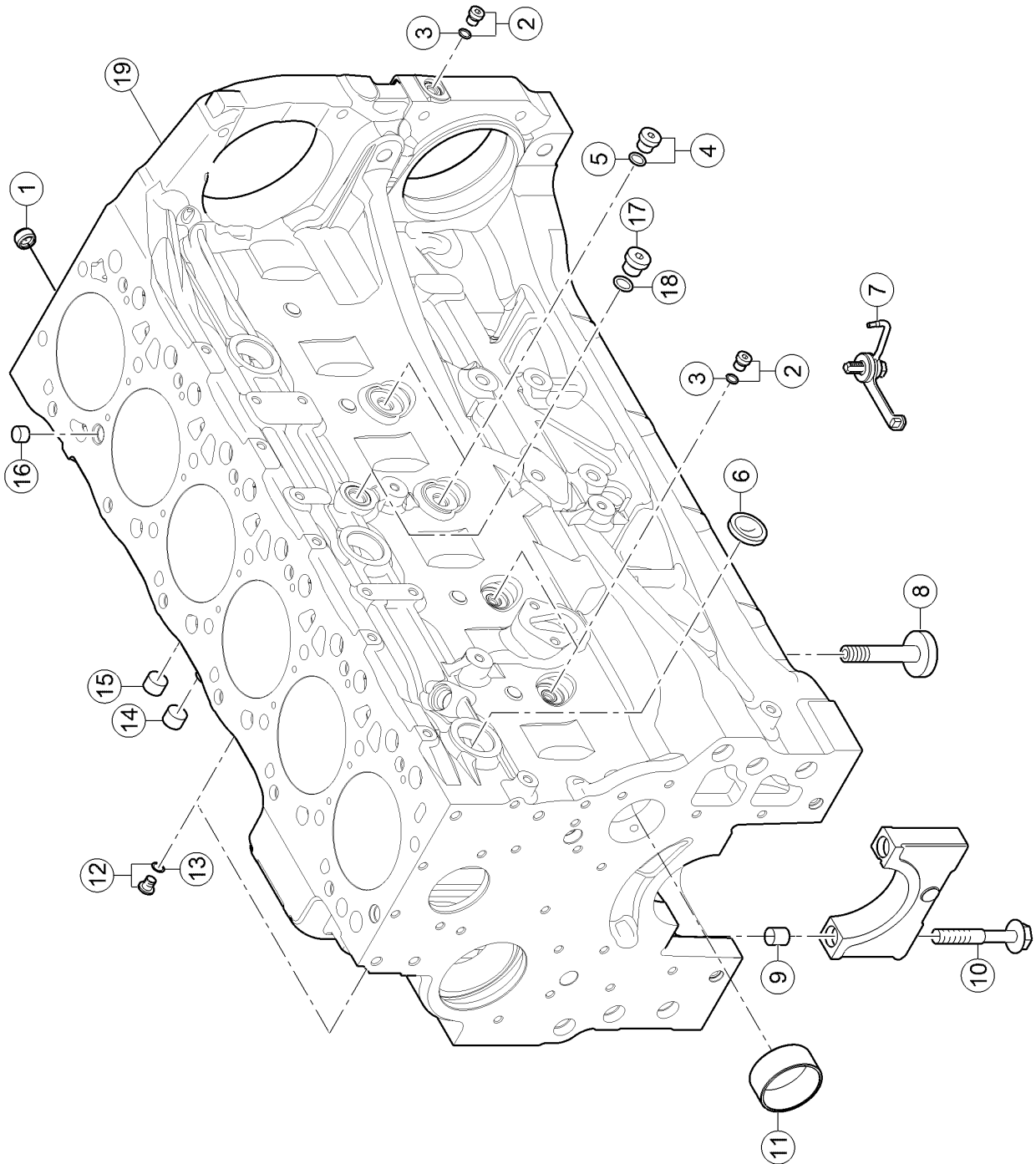
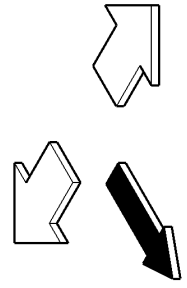
Enter the link into your browser.

The full manual is available for immediate download.

**<https://www.ebooklibonline.com>**

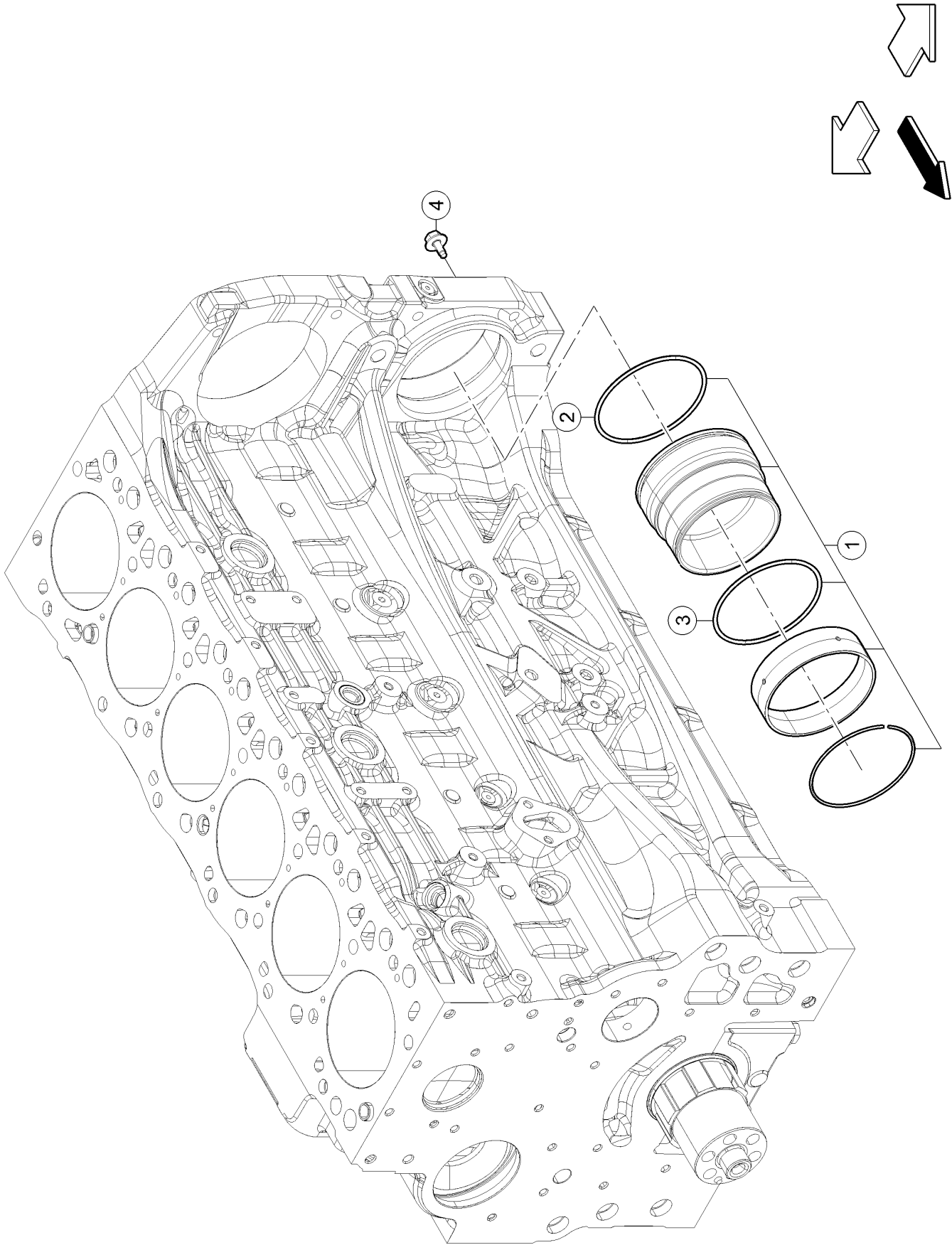
**010 COMPLETE ENGINE**

<b>Pos.</b>	<b>Part No.</b>	<b>Description</b>	<b>Dimension</b>	<b>Quantity</b>	<b>Conditions</b>
1	<b>00 1170 964 0</b>	SHORT BLOCK		1	



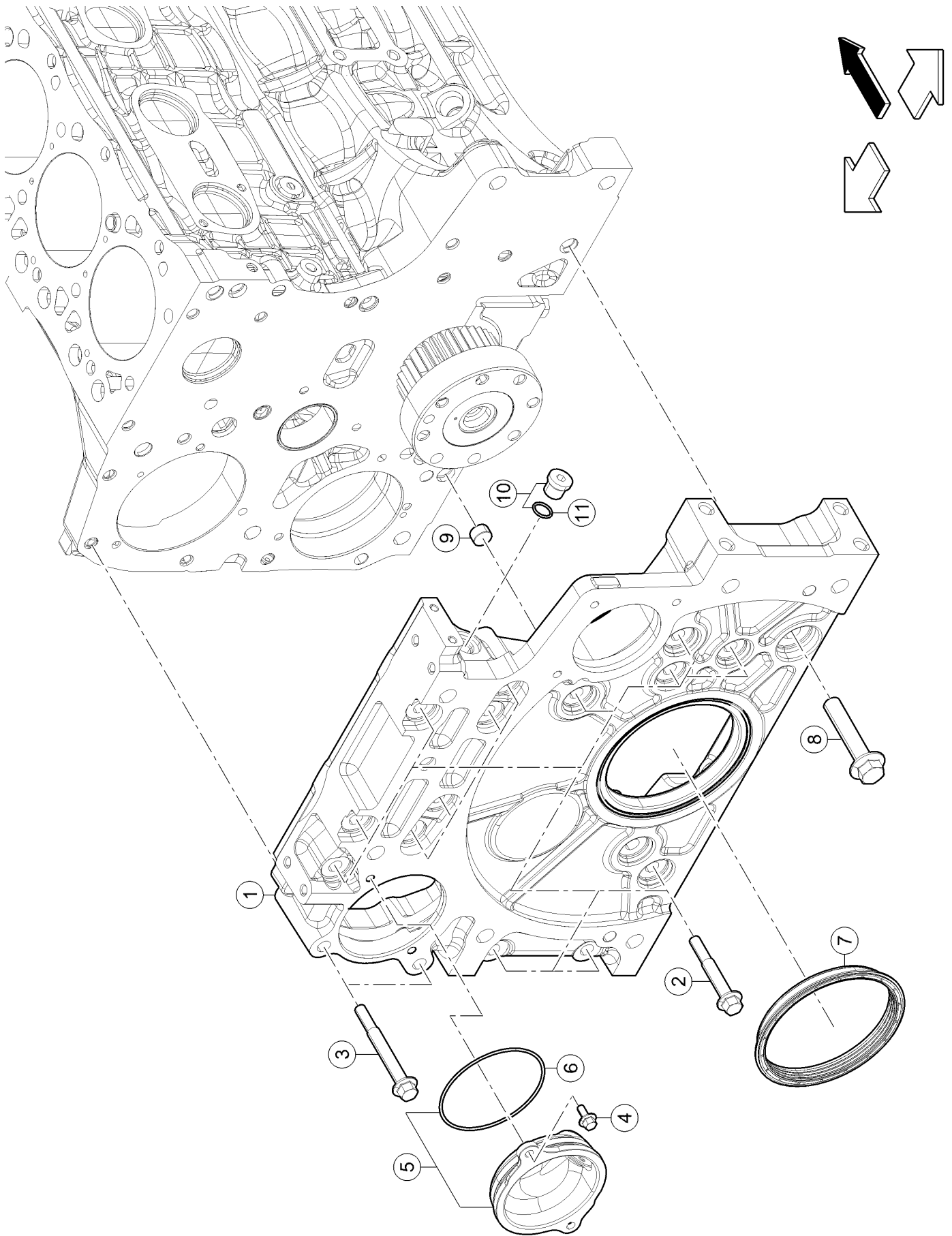
**100 CRANKCASE**

<b>Pos.</b>	<b>Part No.</b>	<b>Description</b>	<b>Dimension</b>	<b>Quantity</b>	<b>Conditions</b>
1	<b>00 1167 297 0</b>	NOZZLE		1	
2	<b>60 0503 098 3</b>	PLUG		3	
3	<b>60 0503 098 4</b>	O-RING		3	
4	<b>60 0503 100 0</b>	PLUG		2	
5	<b>60 0503 100 1</b>	O-RING		2	
6	<b>60 0503 098 2</b>	PLUG		3	
7	<b>00 1164 565 0</b>	NOZZLE		6	
8	<b>00 1149 427 0</b>	PUSHROD		12	
9	<b>60 0503 098 6</b>	CENTRING PIN		14	
10	<b>60 0503 098 5</b>	SCREW		14	
11	<b>60 0503 098 1</b>	BUSHING		1	
12	<b>60 0503 099 3</b>	PLUG		2	
13	<b>60 0503 099 4</b>	O-RING		2	
14	<b>60 0503 099 0</b>	PLUG		2	
15	<b>60 0503 098 0</b>	PLUG		6	
16	<b>60 0503 098 7</b>	CENTRING PIN		2	
17	<b>60 0503 100 2</b>	LOCK		1	
18	<b>00 1140 021 0</b>	SEALING RING		1	
19	<b>00 1167 351 0</b>	CRANKCASE		1	



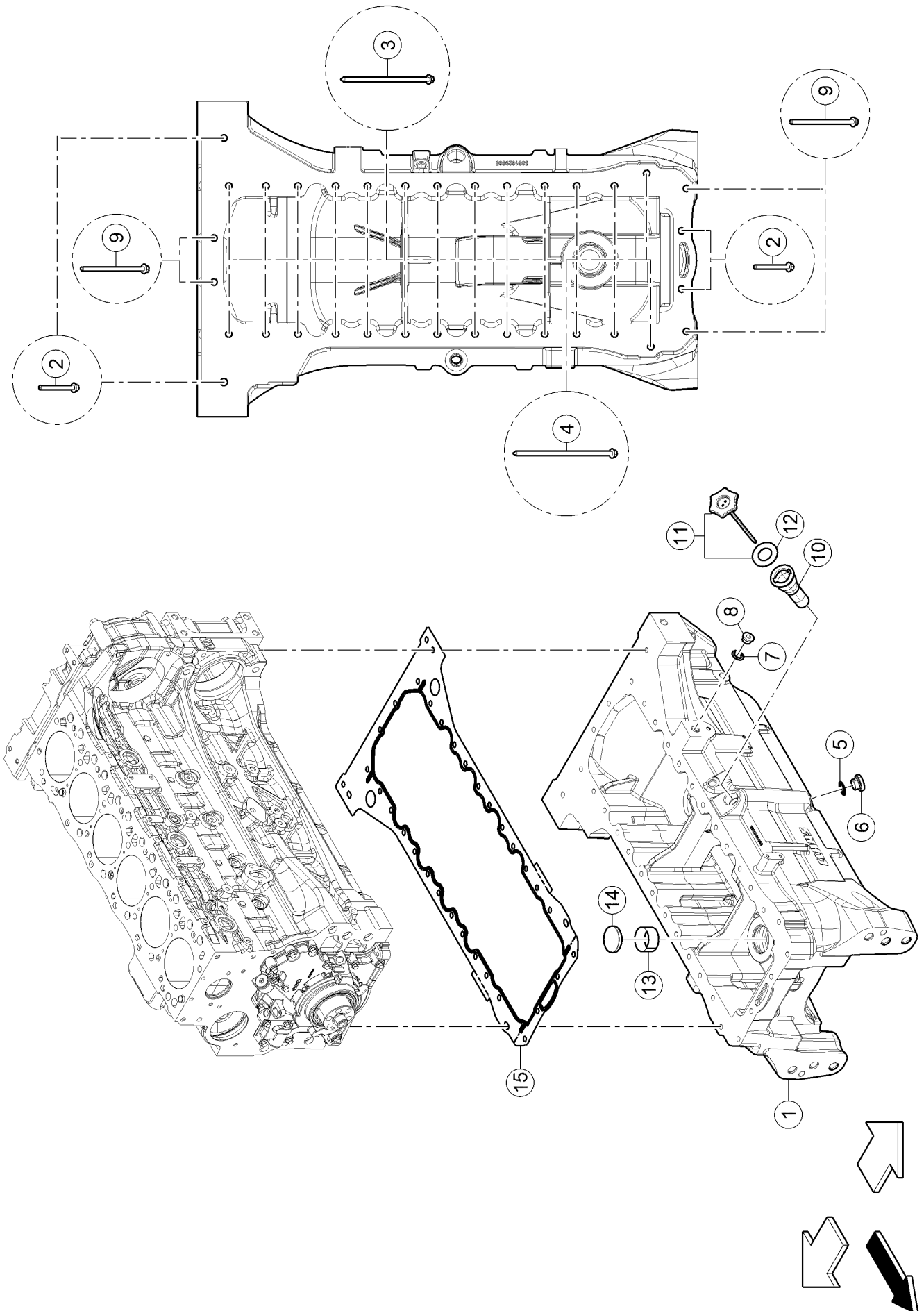
**100 CRANKCASE**

<b>Pos.</b>	<b>Part No.</b>	<b>Description</b>	<b>Dimension</b>	<b>Quantity</b>	<b>Conditions</b>
1	<b>00 1153 600 0</b>	SMOOTH RING		1	
2	<b>60 0503 120 1</b>	O-RING		1	
3	<b>60 0503 120 2</b>	O-RING		1	
4	<b>00 1153 601 0</b>	STD SCREW		1	



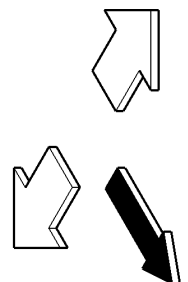
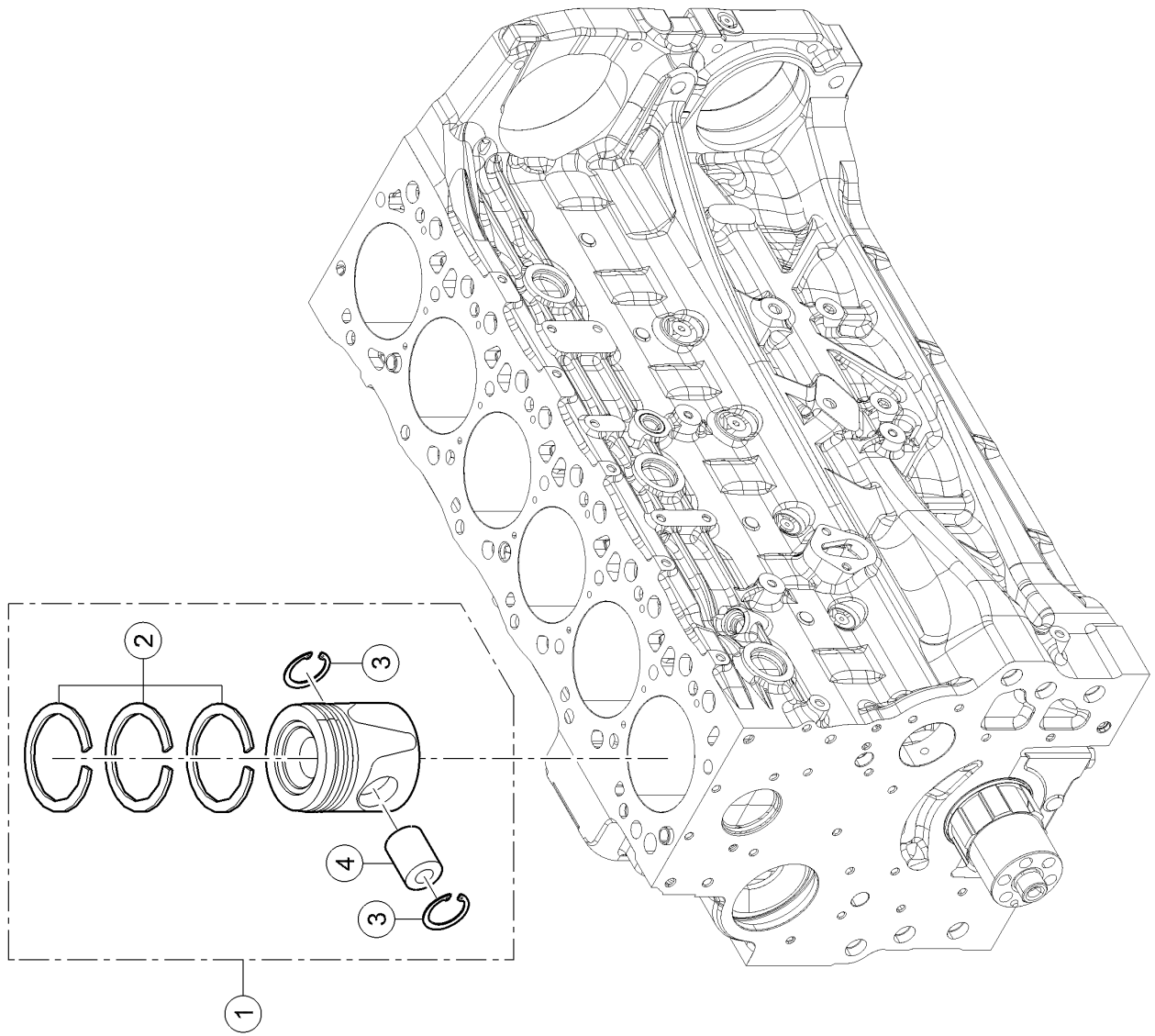
**120 TIMING CASE**

<b>Pos.</b>	<b>Part No.</b>	<b>Description</b>	<b>Dimension</b>	<b>Quantity</b>	<b>Conditions</b>
1	<b>00 1166 989 0</b>	CASING		1	
2	<b>00 1139 458 0</b>	SCREW		15	
3	<b>00 1139 460 0</b>	SCREW		2	
4	<b>60 0503 112 2</b>	SCREW		2	
5	<b>00 1149 462 0</b>	COVER		1	
6	<b>00 1139 454 0</b>	O-RING		1	
7	<b>00 1147 783 0</b>	SEALING RING		1	
8	<b>00 1139 457 0</b>	SCREW		1	
9	<b>60 0503 100 8</b>	CENTRING PIN		2	
10	<b>60 0503 099 3</b>	PLUG		1	
11	<b>60 0503 099 4</b>	O-RING		1	



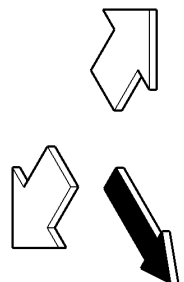
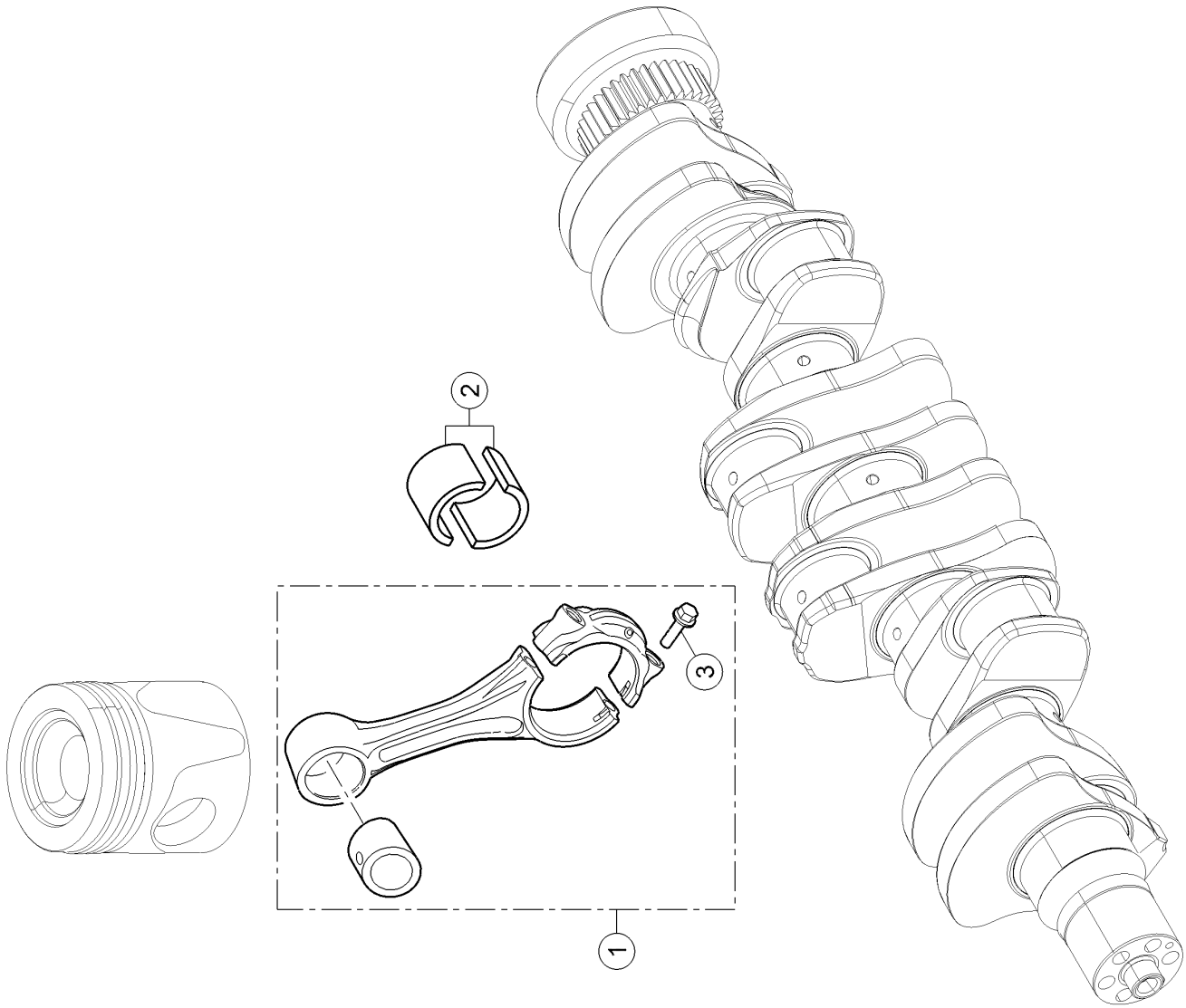
**160 OIL PAN**

<b>Pos.</b>	<b>Part No.</b>	<b>Description</b>	<b>Dimension</b>	<b>Quantity</b>	<b>Conditions</b>
1	<b>00 1153 444 0</b>	CASING		1	
2	<b>00 1152 885 0</b>	SCREW		4	
3	<b>00 1153 445 0</b>	STD SCREW		20	
4	<b>00 1153 446 0</b>	STD SCREW		6	
5	<b>60 0503 101 1</b>	O-RING		3	
6	<b>60 0503 101 0</b>	SCREW PLUG		3	
7	<b>60 0503 132 7</b>	GASKET		3	
8	<b>60 0502 555 9</b>	LOCK		1	
9	<b>00 1149 499 0</b>	SCREW		4	
10	<b>00 1139 567 0</b>	TUBE		1	
11	<b>00 1170 971 0</b>	GAUGE		1	
12	<b>00 1166 998 0</b>	SEAL		1	
13	<b>60 0503 101 4</b>	ENGINE OIL FILTER		1	
14	<b>60 0503 101 5</b>	LOCK		1	
15	<b>00 1160 926 0</b>	FLAT SEAL		1	



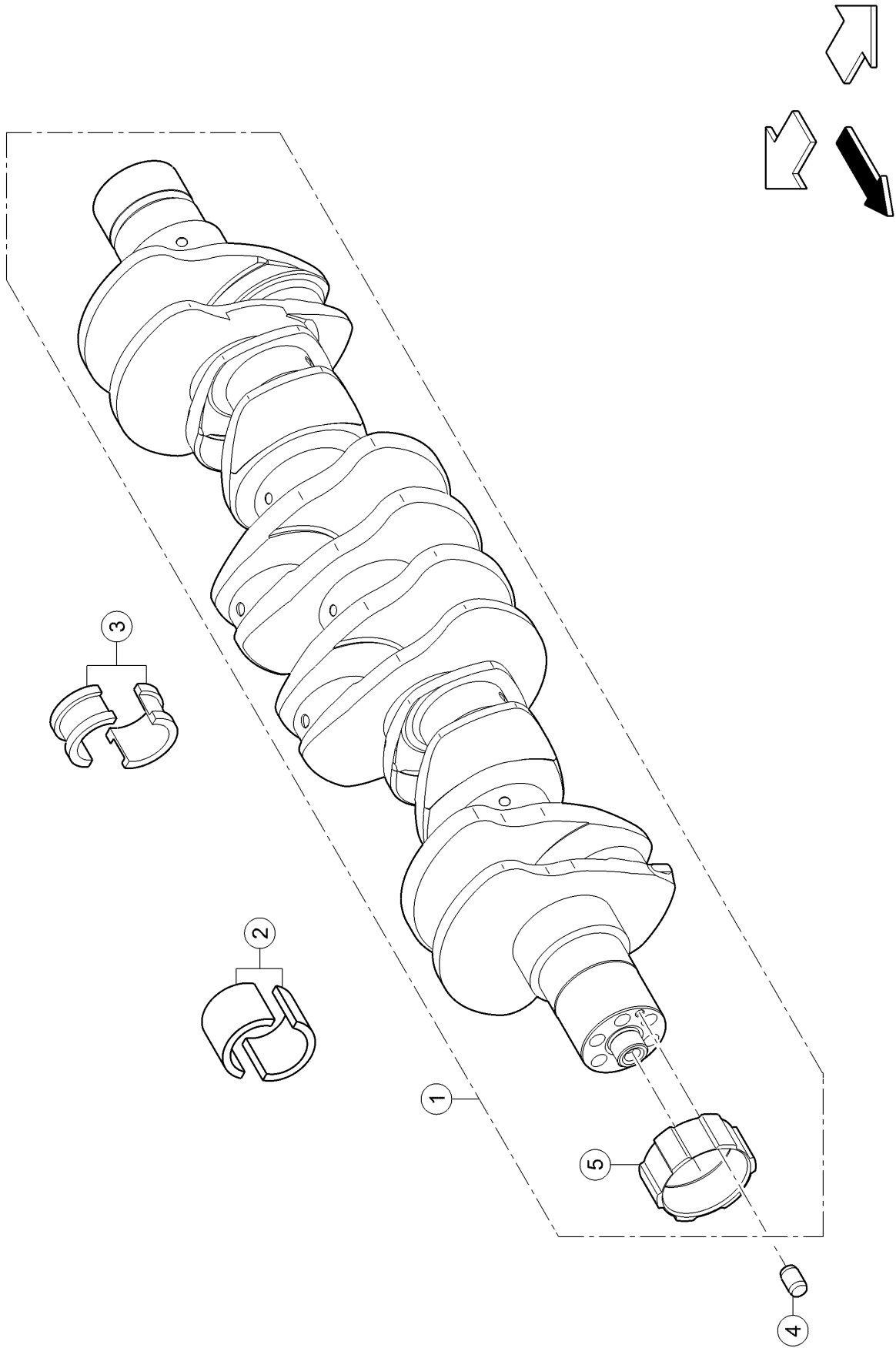
**100 CYLINDER LINER, PISTON**

<b>Pos.</b>	<b>Part No.</b>	<b>Description</b>	<b>Dimension</b>	<b>Quantity</b>	<b>Conditions</b>
1	<b>00 1170 948 0</b>	CYLINDER PISTON		6	
2	<b>00 1170 945 0</b>	ENGINE PISTON RING		6	
3	<b>00 1167 317 0</b>	INT RETAINING RING		12	
4	<b>00 1149 533 0</b>	AXLE		6	



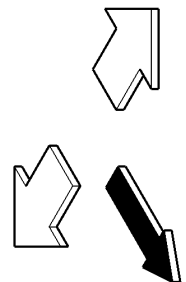
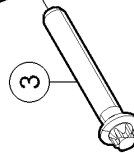
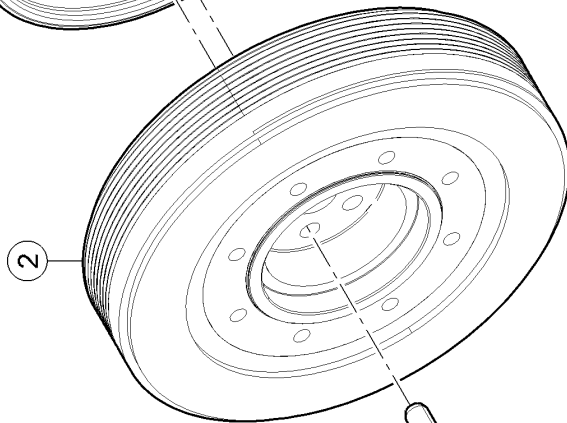
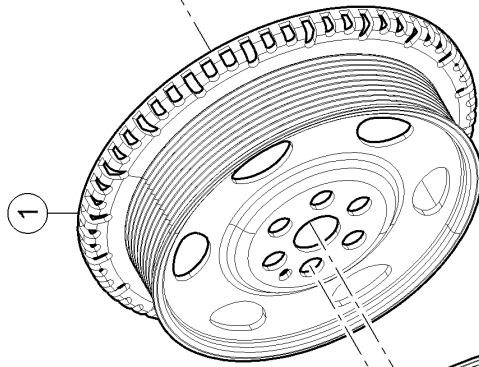
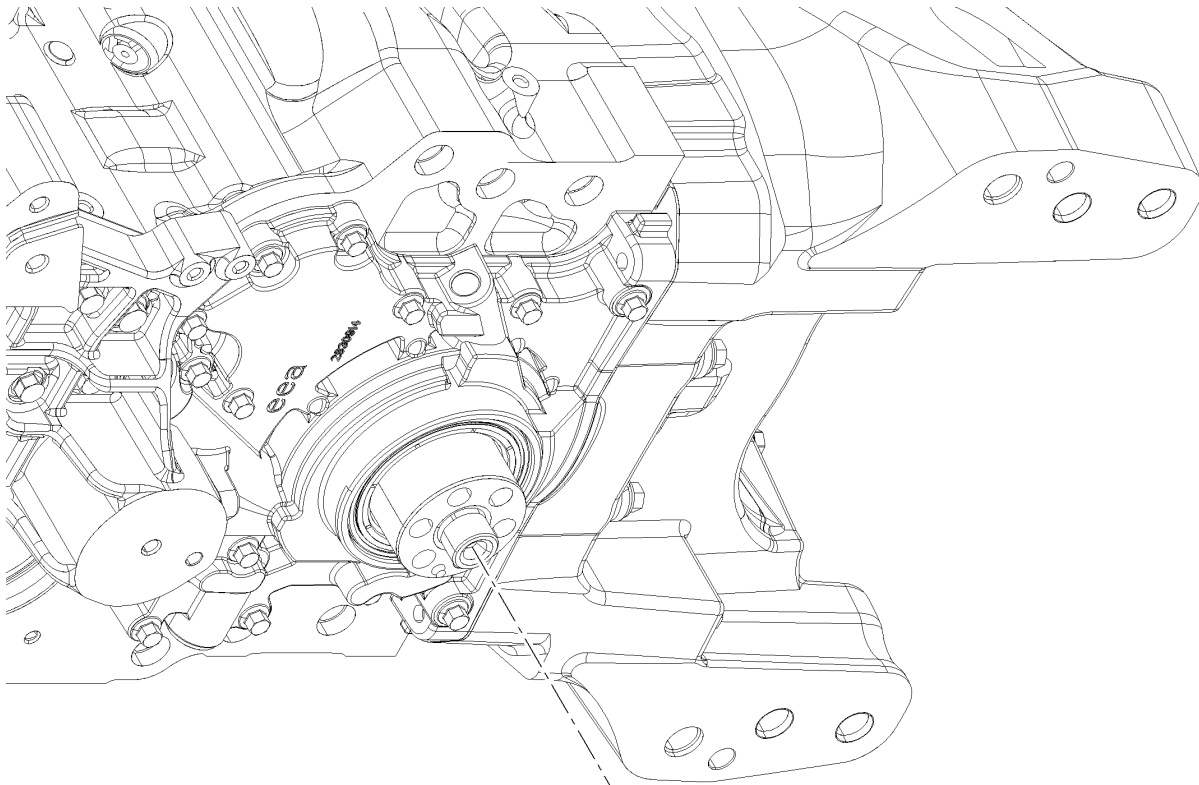
**120 CONNECTING ROD, CONNECTING ROD BEARINGS**

<b>Pos.</b>	<b>Part No.</b>	<b>Description</b>	<b>Dimension</b>	<b>Quantity</b>	<b>Conditions</b>
1	<b>00 1166 560 0</b>	ROD (ENGINE)		6	
2	<b>00 1152 896 0</b>	SET OF BEARING BUSHES		6	1)
2	<b>00 1152 897 0</b>	SET OF BEARING BUSHES		6	2)
2	<b>00 1152 898 0</b>	SET OF BEARING BUSHES		6	3)
3	<b>60 0503 108 9</b>	SCREW		12	
<b>1)</b>	<b>Remarks</b>		STANDARD		
<b>2)</b>	<b>Remarks</b>		-0,250		
<b>3)</b>	<b>Remarks</b>		-0,500		



**140 CRANKSHAFT**

<b>Pos.</b>	<b>Part No.</b>	<b>Description</b>	<b>Dimension</b>	<b>Quantity</b>	<b>Conditions</b>
1	<b>00 1149 561 0</b>	CRANKSHAFT		1	
2	<b>00 1164 242 0</b>	SET OF BEARING BUSHES		6	1)
2	<b>00 1167 316 0</b>	SET OF BEARING BUSHES		6	2)
2	<b>00 1167 011 0</b>	SET OF BEARING BUSHES		6	3)
3	<b>00 1167 010 0</b>	SET OF BEARING BUSHES		1	1)
3	<b>00 1167 012 0</b>	SET OF BEARING BUSHES		1	2)
3	<b>00 1167 013 0</b>	SET OF BEARING BUSHES		1	3)
4	<b>60 0503 110 4</b>	CENTRING PIN		1	
5	<b>00 1139 671 0</b>	BUSHING		1	
<b>1)</b>	<b>Remarks</b>		STANDARD		
<b>2)</b>	<b>Remarks</b>		-0,250		
<b>3)</b>	<b>Remarks</b>		-0,500		



**160 CRANKSHAFT PULLEY WHEEL**

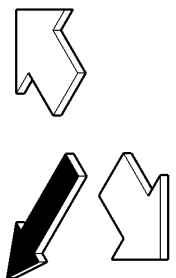
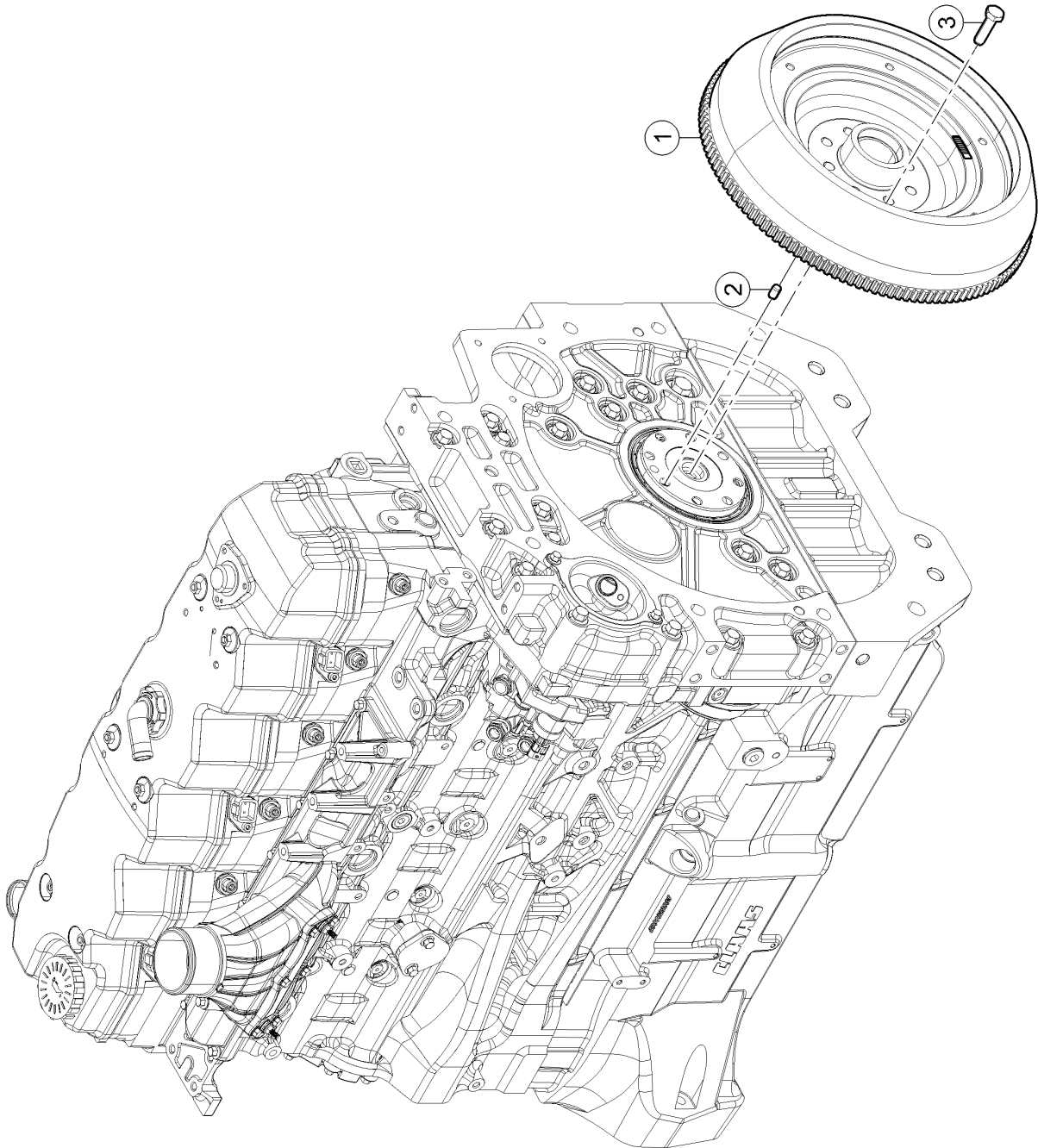
Pos.	Part No.	Description	Dimension	Quantity	Conditions
1	<b>00 1166 991 0</b>	PULLEY		1	
2	<b>00 1149 567 0</b>	HUB		1	1)
2	<b>00 1161 317 0</b>	HUB		1	2)
3	<b>60 0503 104 3</b>	SCREW		6	

**1) Equipment**

TJ_P02_0511	215 hp max. output, 228 hp type-approved rated output, ECE R 120
TJ_P02_0512	235 hp max. output, 243 hp type-approved rated output, ECE R 120
TJ_P02_0513	264 hp max. output, 261 hp type-approved rated output, ECE R 120
TJ_P02_0515	215 Rated engine HP R120, 194 rated PTO HP SAE
TJ_P02_0516	230 Rated engine HP R120, 209 rated PTO HP SAE
TJ_P02_0517	250 Rated engine HP R120, 223 rated PTO HP SAE

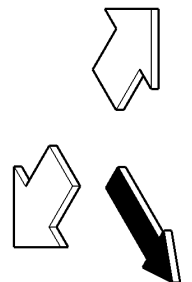
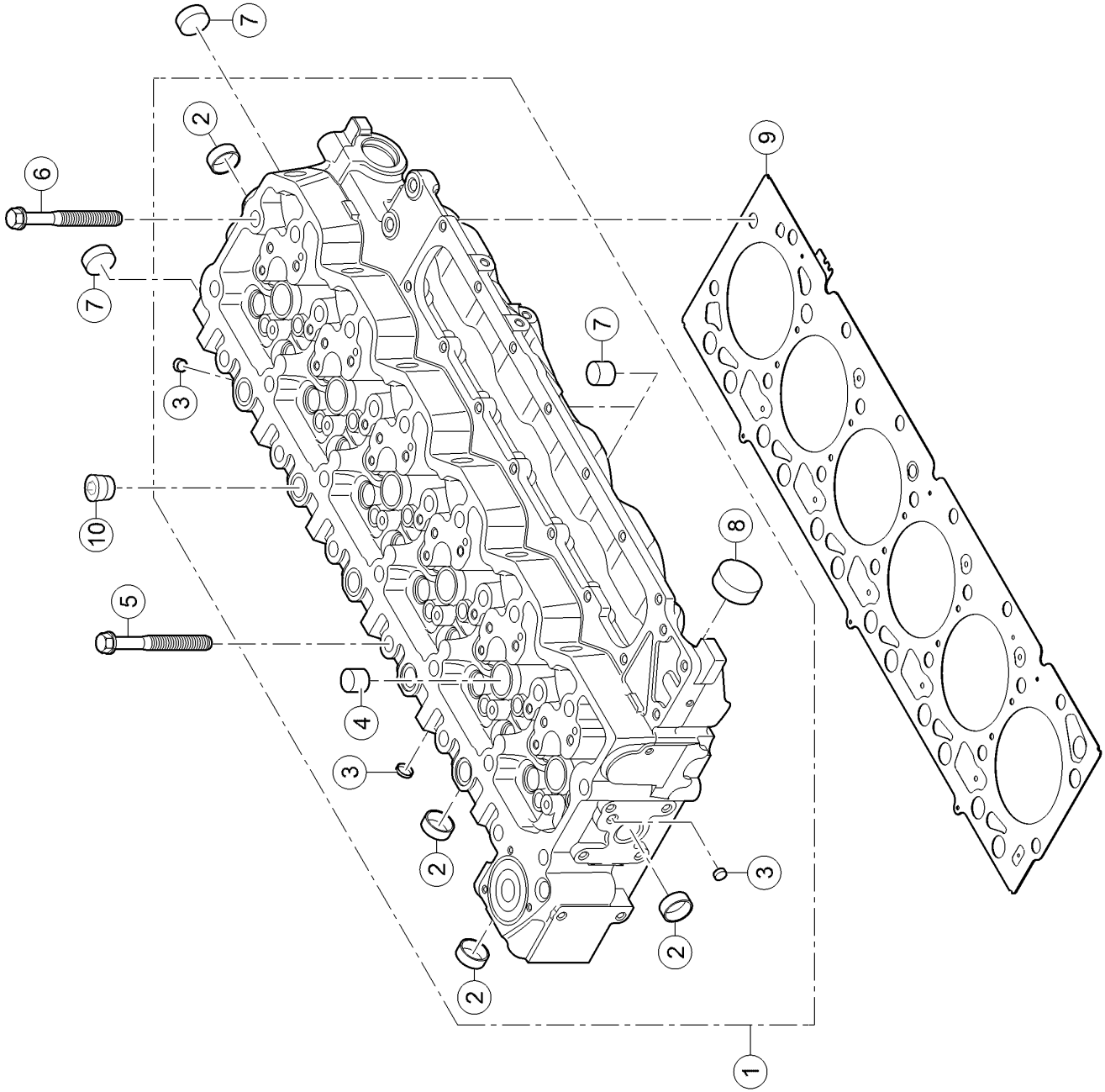
**2) Equipment**

TJ_P02_0514	295 hp max. output, 284 hp type-approved rated output, ECE R 120
TJ_P02_0518	265/280 Rated engine HP R120, 224/240 rated PTO HP SAE



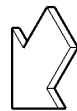
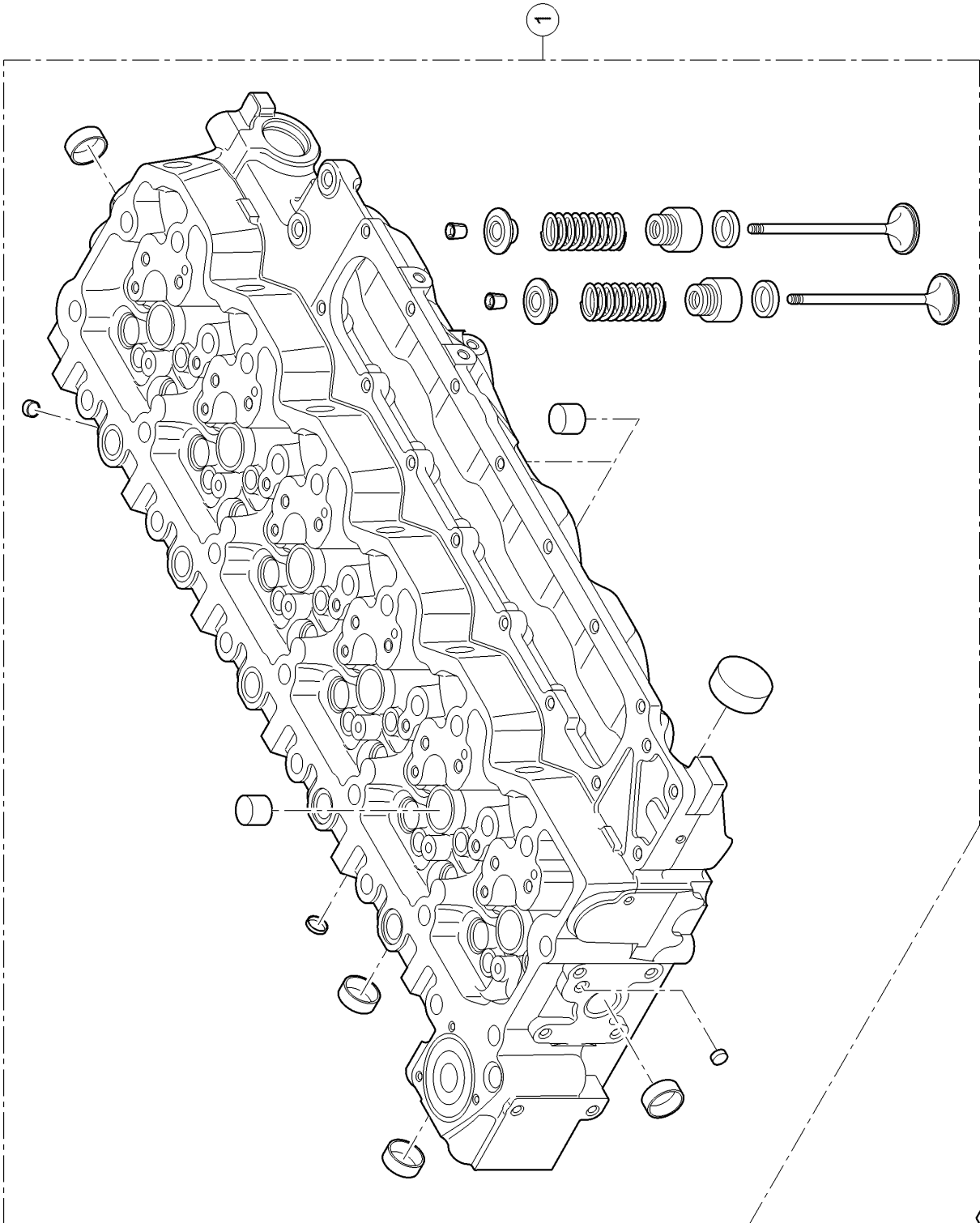
**220 FLYWHEEL**

<b>Pos.</b>	<b>Part No.</b>	<b>Description</b>	<b>Dimension</b>	<b>Quantity</b>	<b>Conditions</b>
1	<b>00 1151 080 0</b>	FLYWHEEL		1	
2	<b>60 0503 111 0</b>	CENTRING PIN		1	
3	<b>00 1149 569 0</b>	SCREW		8	



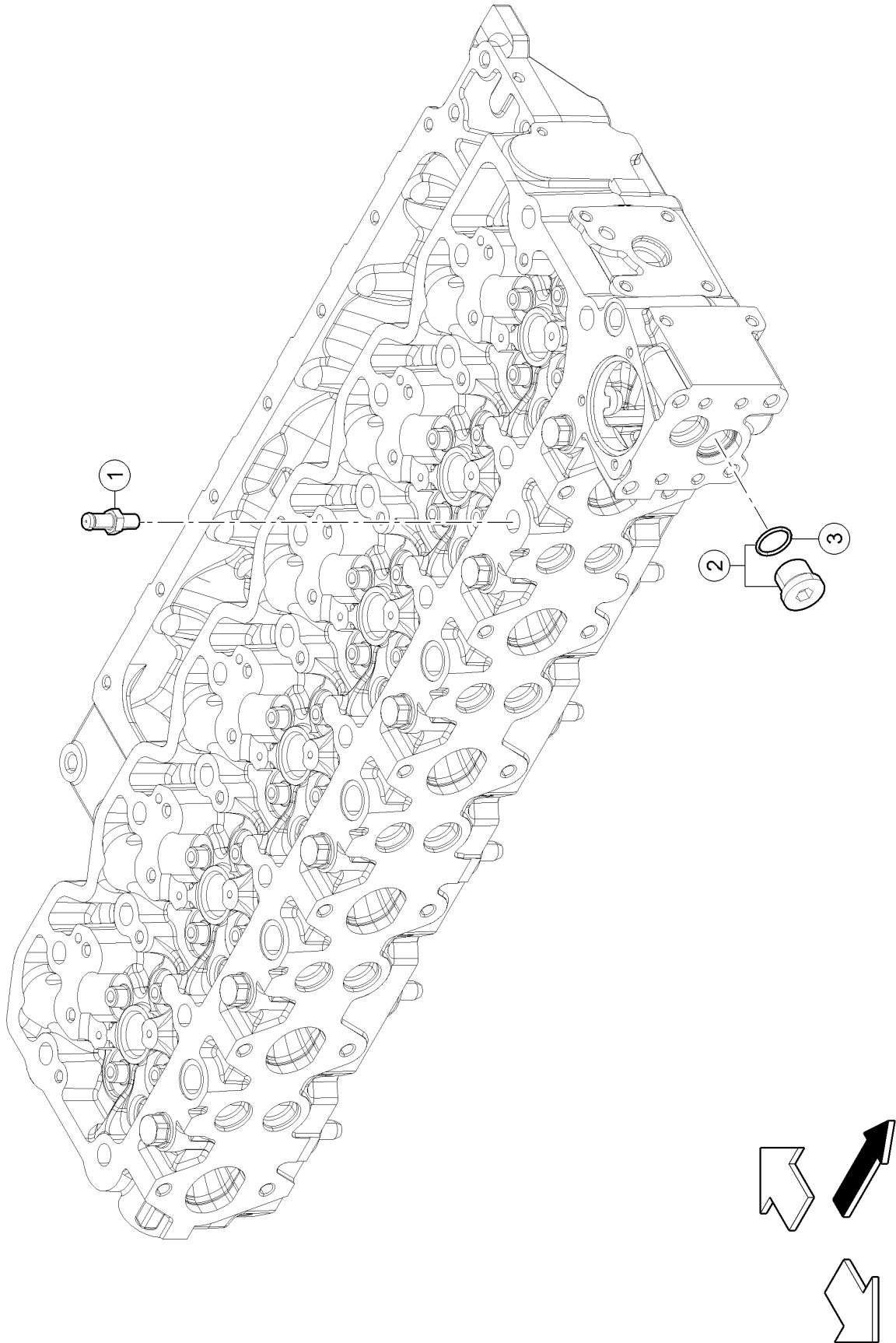
**100 CYLINDER HEAD**

<b>Pos.</b>	<b>Part No.</b>	<b>Description</b>	<b>Dimension</b>	<b>Quantity</b>	<b>Conditions</b>
1	<b>00 1149 571 0</b>	CYLINDER HEAD		1	
2	<b>00 1139 905 0</b>	PLUG		13	
3	<b>00 1149 572 0</b>	PLUG		7	
4	<b>60 0503 099 1</b>	PLUG		11	
5	<b>00 1149 573 0</b>	SCREW		12	
6	<b>00 1149 574 0</b>	SCREW		14	
7	<b>00 1166 990 0</b>	PLUG		3	
8	<b>00 1149 576 0</b>	PLUG		2	
9	<b>00 1149 577 0</b>	CYLINDER HEAD GASKET		1	1)
9	<b>00 1160 918 0</b>	CYLINDER HEAD GASKET		1	2)
10	<b>60 0503 113 1</b>	PLUG		4	
<b>1)</b>	<b>Remarks</b>		ép.1,25mm		
<b>2)</b>	<b>Remarks</b>		ép.1,15mm		



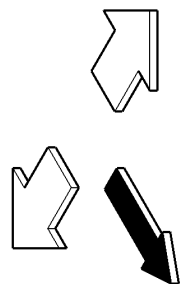
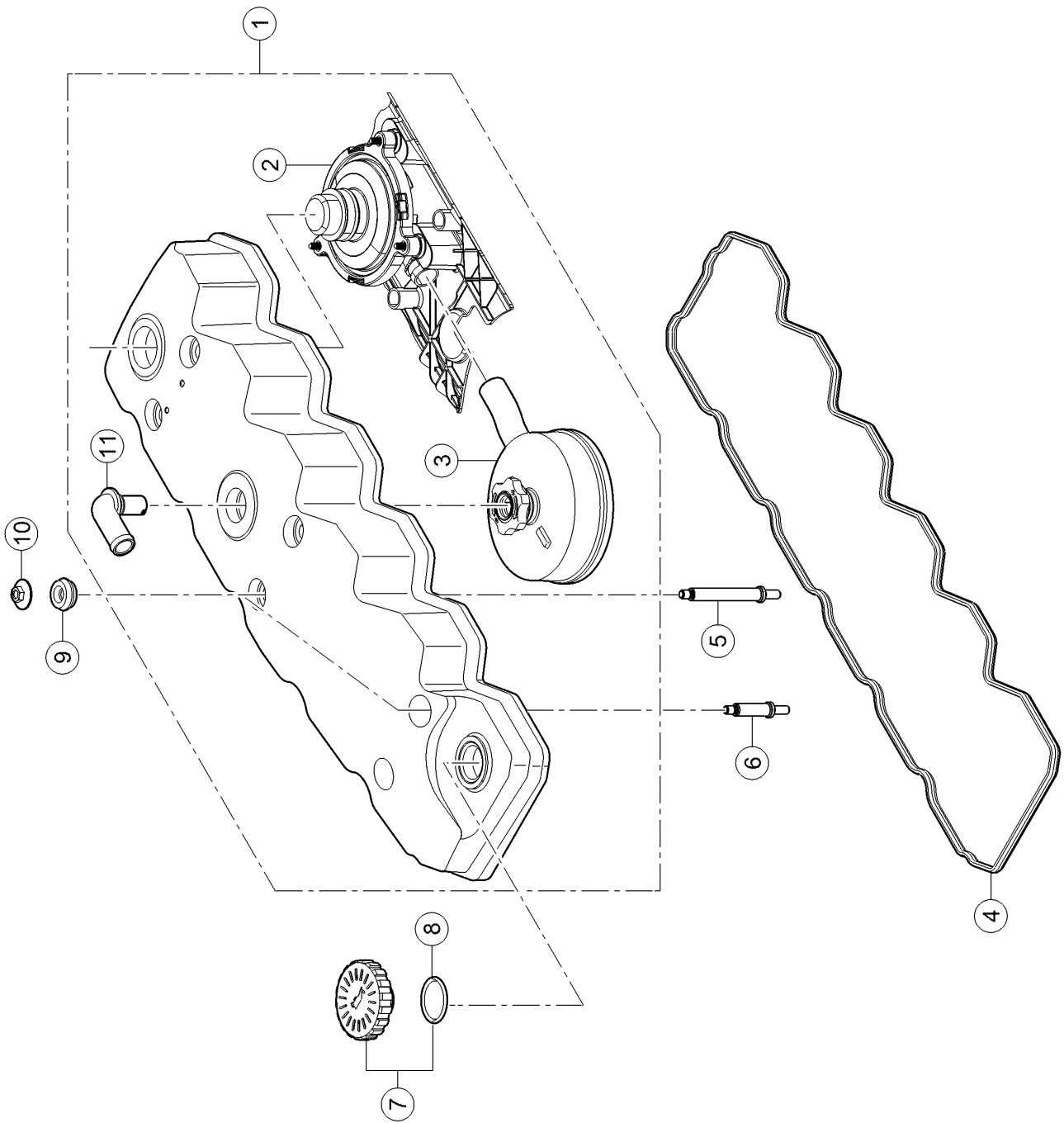
**100 CYLINDER HEAD**

<b>Pos.</b>	<b>Part No.</b>	<b>Description</b>	<b>Dimension</b>	<b>Quantity</b>	<b>Conditions</b>
1	<b>00 1150 658 1</b>	CYLINDER HEAD		1	



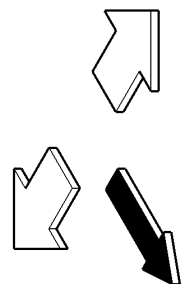
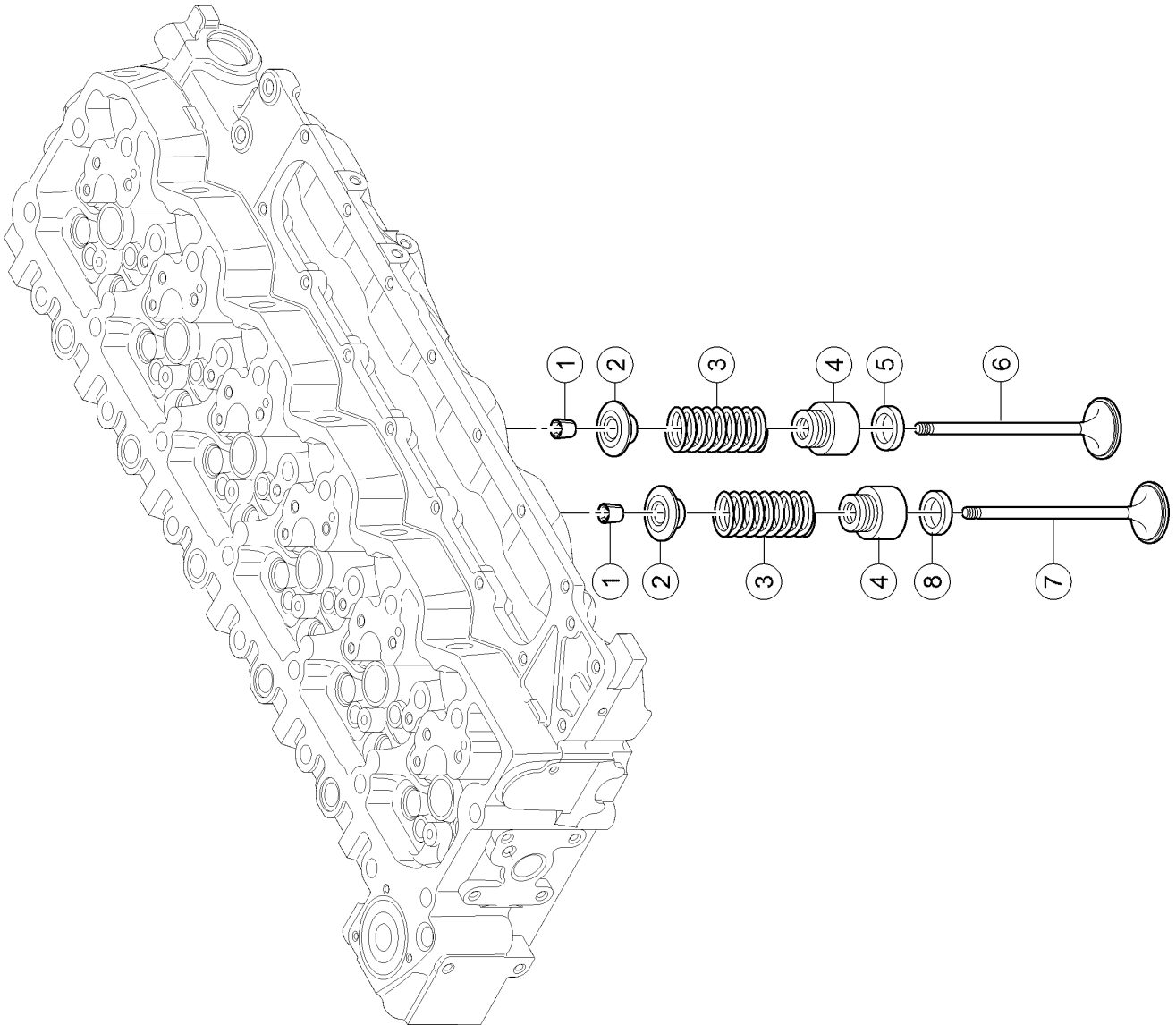
**100 CYLINDER HEAD**

<b>Pos.</b>	<b>Part No.</b>	<b>Description</b>	<b>Dimension</b>	<b>Quantity</b>	<b>Conditions</b>
1	<b>00 1153 009 0</b>	UNION CONNECTOR		1	
2	<b>00 1153 011 0</b>	PLUG		1	
3	<b>00 1153 012 0</b>	O-RING		1	



**120 CYLINDER HEAD COVER**

<b>Pos.</b>	<b>Part No.</b>	<b>Description</b>	<b>Dimension</b>	<b>Quantity</b>	<b>Conditions</b>
1	<b>00 1167 668 0</b>	ROCKER COVER		1	
2	<b>00 1164 149 0</b>	HYDRAULIC VALVE		1	
3	<b>00 1164 150 0</b>	OIL VAPOUR FILTER		1	
4	<b>00 1167 659 0</b>	VALVE COVER SEAL		1	
5	<b>00 1149 662 0</b>	STUD BOLT		4	
6	<b>00 1149 663 0</b>	STUD BOLT		2	
7	<b>00 1149 664 0</b>	PLUG		1	
8	<b>00 1149 665 0</b>	O-RING		1	
9	<b>00 1149 666 0</b>	SEALING RING		6	
10	<b>00 1149 667 0</b>	PLUG		6	
11	<b>00 1149 668 0</b>	TUBE		1	
12	<b>00 1149 668 0</b>	TUBE		1	



**140 VALVES**

<b>Pos.</b>	<b>Part No.</b>	<b>Description</b>	<b>Dimension</b>	<b>Quantity</b>	<b>Conditions</b>
1	<b>00 1149 679 0</b>	HALF-CONE		48	
2	<b>00 1149 680 0</b>	WASHER		24	
3	<b>00 1149 681 0</b>	SPRING		24	
4	<b>00 1149 683 0</b>	GUIDE		24	
5	<b>00 1149 684 0</b>	VALVE SEAT		12	1)
6	<b>00 1149 685 0</b>	VALVE		12	1)
7	<b>00 1149 686 0</b>	VALVE		12	2)
8	<b>00 1149 687 0</b>	VALVE SEAT		12	2)
<b>1)</b>	<b>Remarks</b>		INTAKE		
<b>2)</b>	<b>Remarks</b>		EXHAUST		



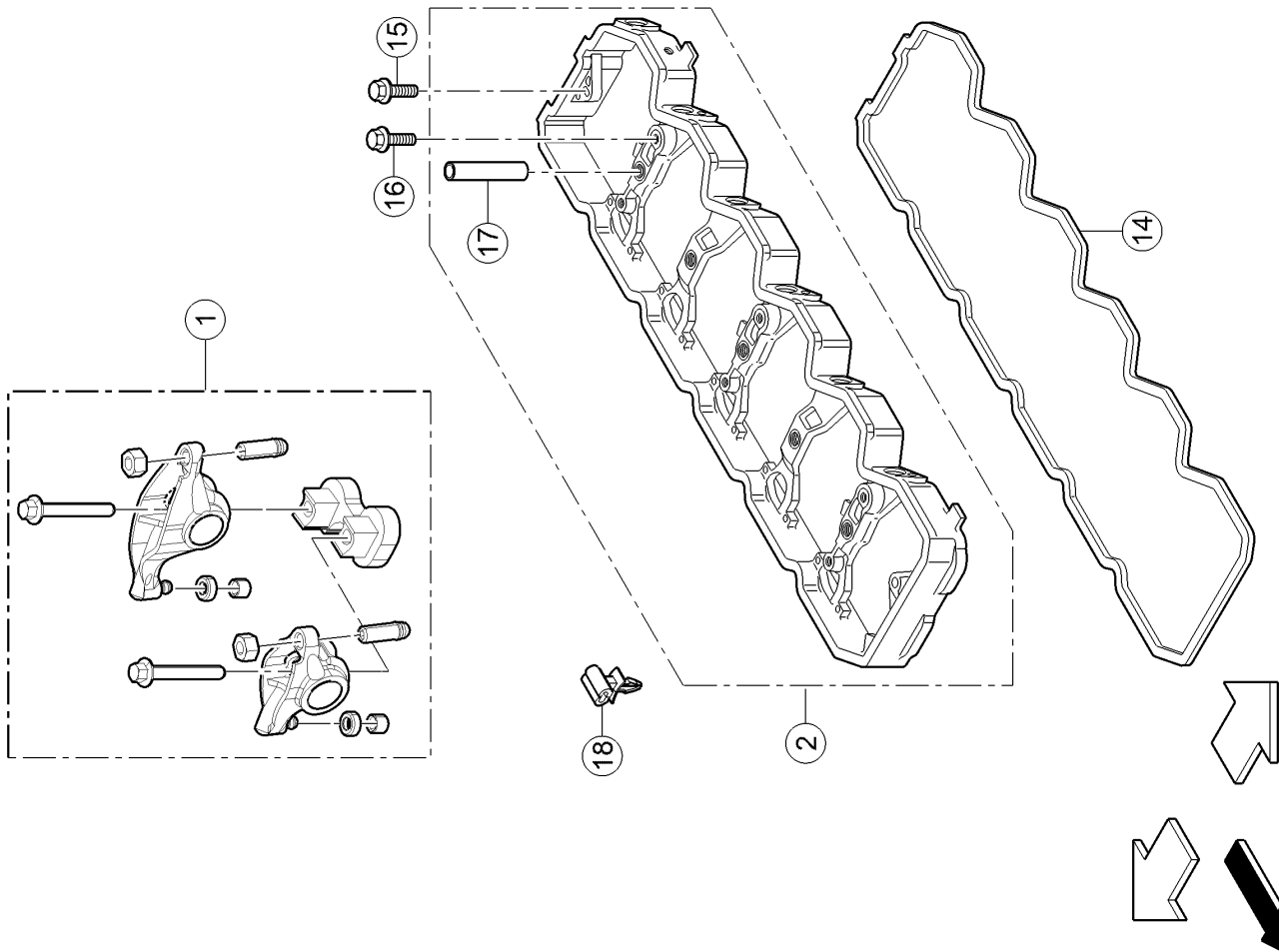
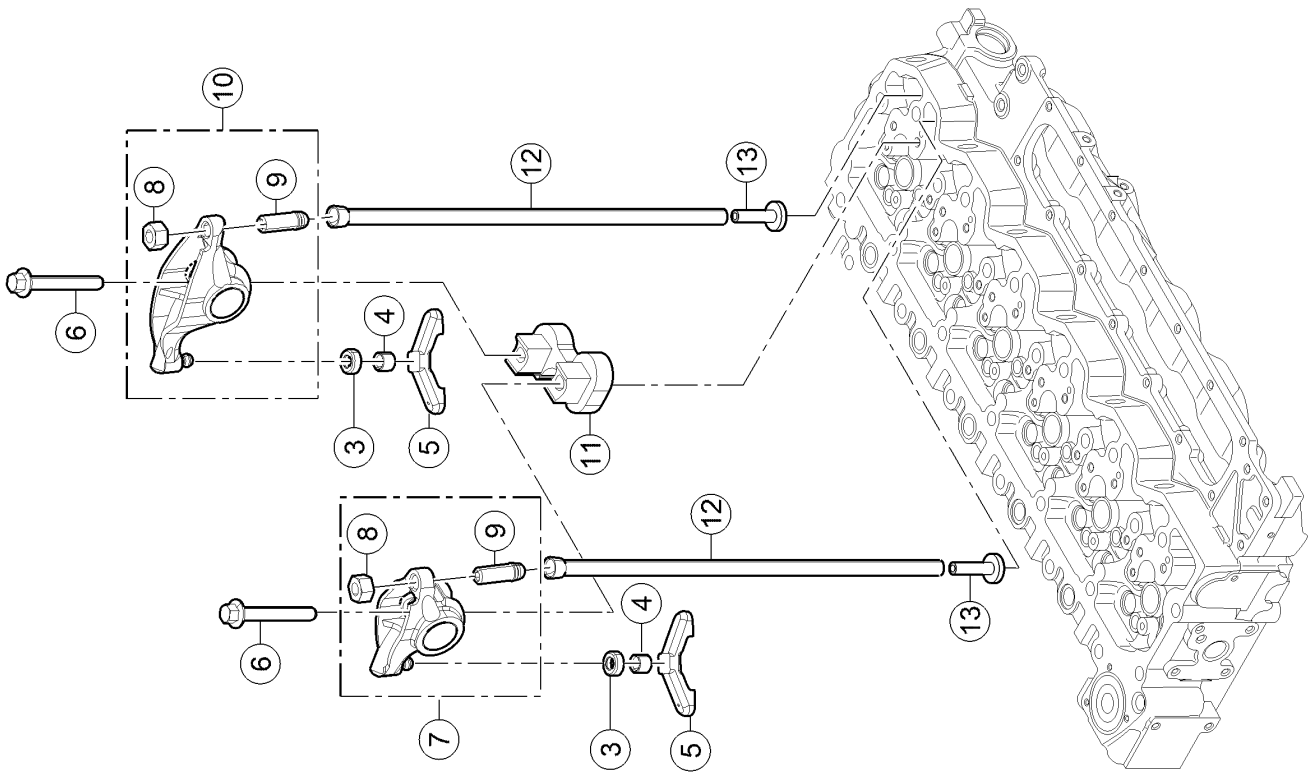
**Suggest:**

**For more complete manuals. Please go to the home page.**

**<https://www.ebooklibonline.com>**

**If the above button click is invalid. Please download this document first, and then click the above link to download the complete manual.**

**Thank you so much for reading**



**160 ROCKER ARM**

<b>Pos.</b>	<b>Part No.</b>	<b>Description</b>	<b>Dimension</b>	<b>Quantity</b>	<b>Conditions</b>
1	<b>00 1149 695 0</b>	ROCKER ARM		6	
2	<b>00 1149 696 0</b>	CASING		1	
3	<b>00 1149 697 0</b>	BEARING BUSH		12	
4	<b>00 1149 698 0</b>	BASE		12	
5	<b>00 1149 699 1</b>	TIPPER		12	
6	<b>00 1149 789 0</b>	SCREW		12	
7	<b>00 1149 700 0</b>	ROCKER ARM		6	
8	<b>00 1149 701 0</b>	SCREW		12	
9	<b>00 1149 702 0</b>	SCREW		12	
10	<b>00 1149 703 0</b>	ROCKER ARM		6	
11	<b>00 1149 704 0</b>	SUPPORT		6	
12	<b>00 1149 705 0</b>	ROD		12	
13	<b>00 1149 427 0</b>	PUSHROD		12	
14	<b>00 1149 706 0</b>	SEALING RING		1	
15	<b>00 1140 675 0</b>	SCREW		2	
16	<b>00 1149 707 0</b>	SCREW	M08X70	5	
17	<b>00 1149 708 0</b>	BRACE		5	
18	<b>00 1149 709 0</b>	STEEL CLIP		6	

**<https://www.ebooklibonline.com>**

Hello dear friend!

Thank you very much for reading.

Enter the link into your browser.

The full manual is available for immediate download.

**<https://www.ebooklibonline.com>**