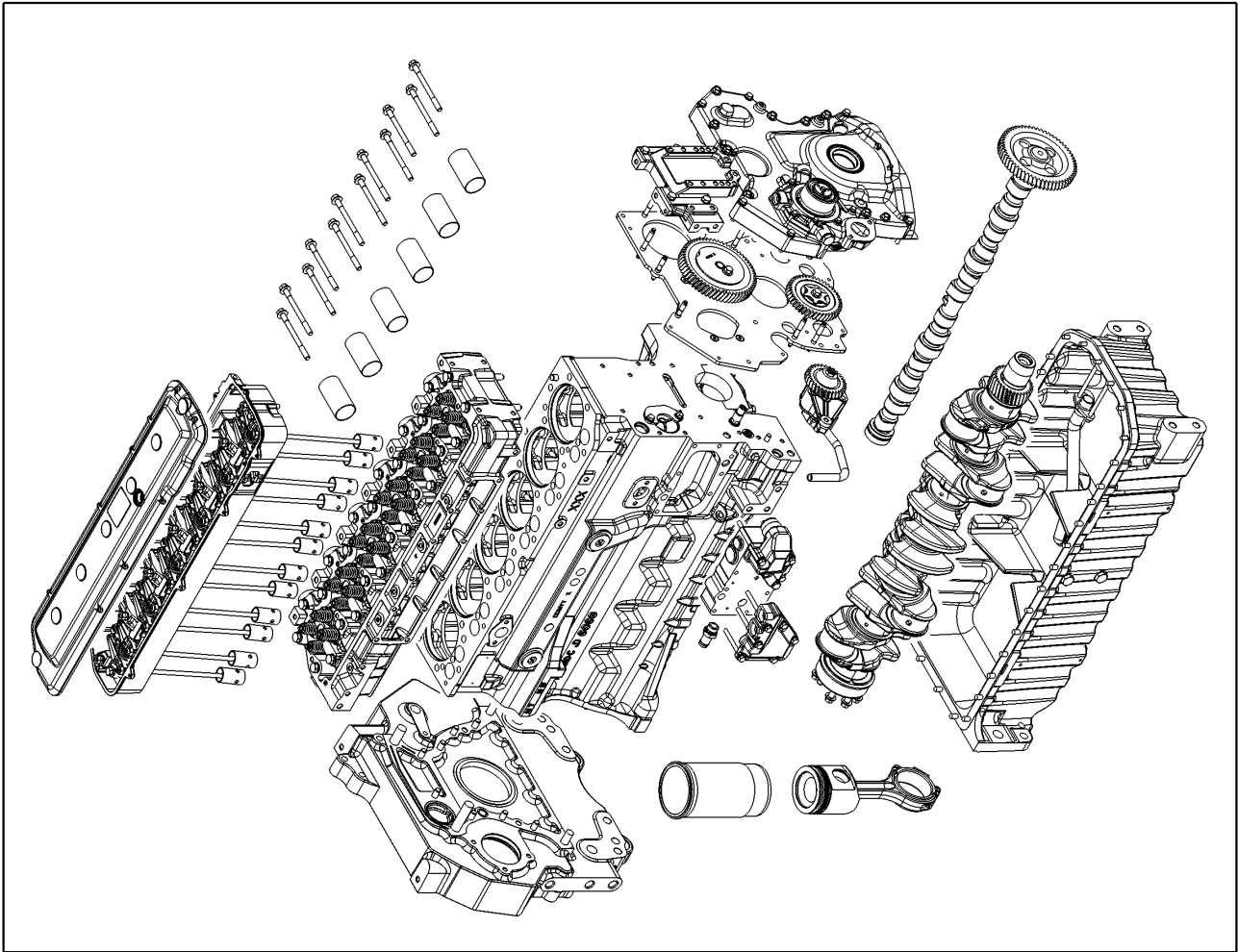


010 COMPLETE ENGINE 1)

Pos.	Part No.	Description	Dimension	Quantity	Conditions
1	00 1114 481 1	ENGINE		1	
1)	Type/Subtype				
		A30/100	+ AXION 810 CIS HEXASHIFT		
		A30/105	+ AXION 810		
		A30/111	+ AXION 810 CEBIS HEXASHIFT		



1

<https://www.ebooklibonline.com>

Hello dear friend!

Thank you very much for reading.

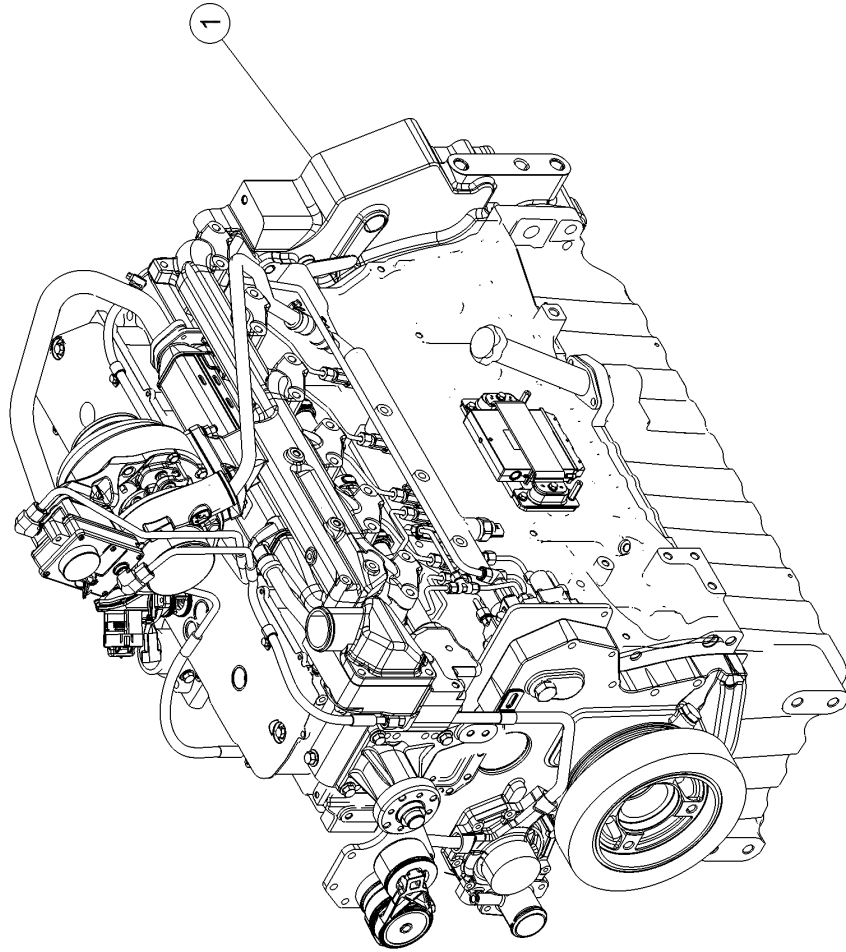
Enter the link into your browser.

The full manual is available for immediate download.

<https://www.ebooklibonline.com>

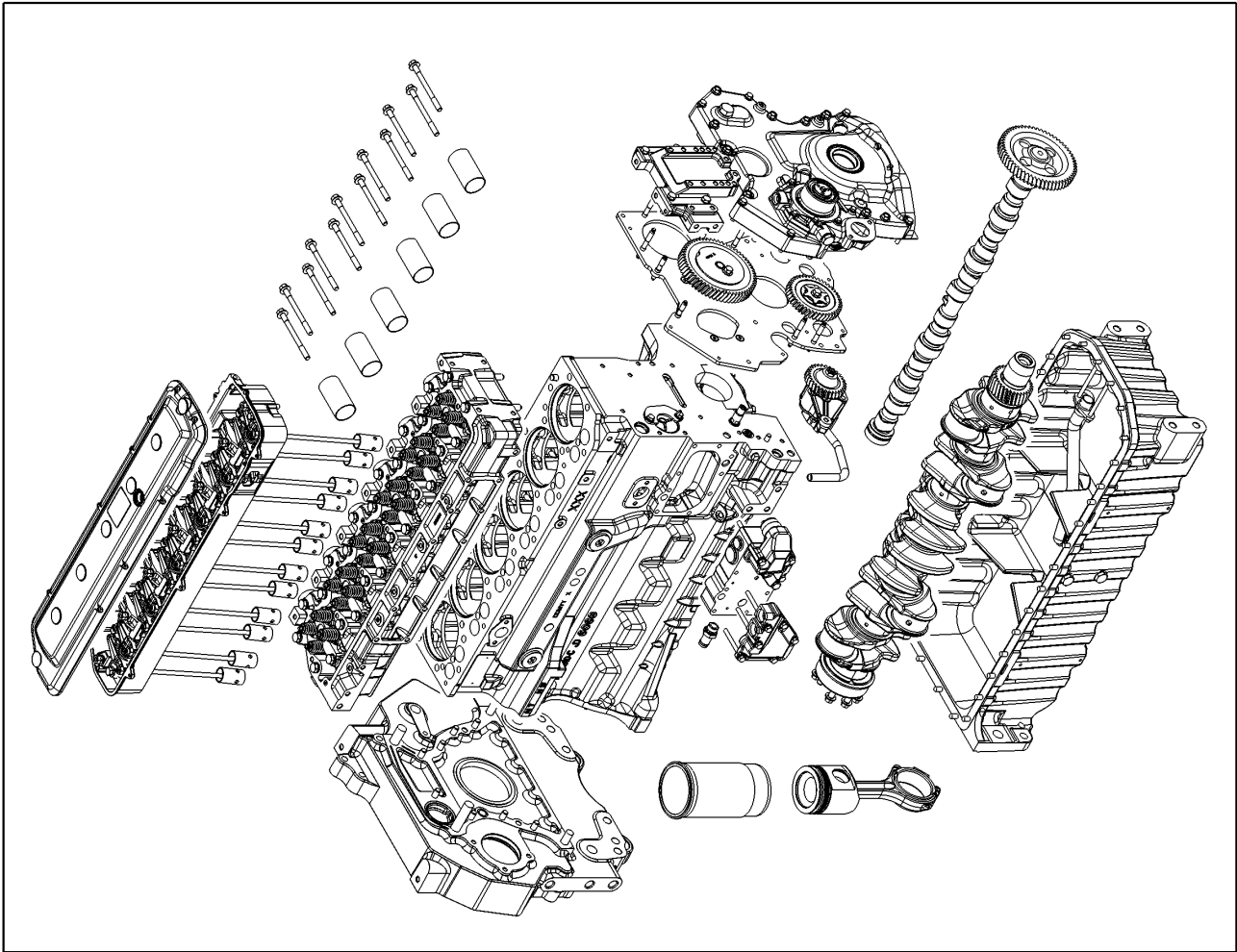
010 COMPLETE ENGINE 1)

Pos.	Part No.	Description	Dimension	Quantity	Conditions
1	00 1150 446 0	LONG BLOCK ENGINE		1	2)
1)	Type/Subtype				
		A30/100	+ AXION 810 CIS HEXASHIFT		
		A30/105	+ AXION 810		
		A30/111	+ AXION 810 CEBIS HEXASHIFT		
2)	Remarks		=> SI 12496		



010 COMPLETE ENGINE 1)

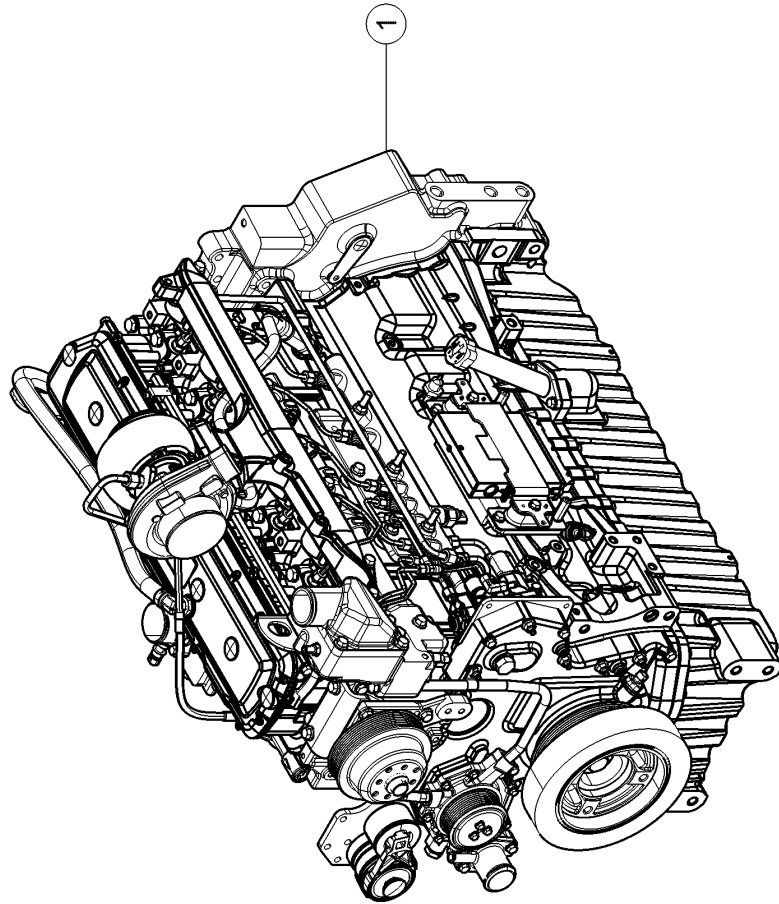
Pos.	Part No.	Description	Dimension	Quantity	Conditions
1	00 1114 482 1	ENGINE		1	2)
1	00 1100 805 1	ENGINE		1	3)
1	00 1100 806 1	ENGINE		1	4)
1	00 1100 807 1	ENGINE		1	5)
1) Type/Subtype					
		A30/200	+ AXION 820 CIS HEXASHIFT		
		A30/205	+ AXION 820		
		A30/211	+ AXION 820 CEBIS HEXASHIFT		
		A30/300	+ AXION 830 CIS HEXASHIFT		
		A30/311	+ AXION 830 CEBIS HEXASHIFT		
		A30/400	+ AXION 840 CIS HEXASHIFT		
		A30/405	+ AXION 840		
		A30/500	+ AXION 850 CIS HEXASHIFT		
		A30/505	+ AXION 850		
2) Type/Subtype					
		A30/200	+ AXION 820 CIS HEXASHIFT		
		A30/211	+ AXION 820 CEBIS HEXASHIFT		
3) Type/Subtype					
		A30/300	+ AXION 830 CIS HEXASHIFT		
		A30/311	+ AXION 830 CEBIS HEXASHIFT		
4) Type/Subtype					
		A30/400	+ AXION 840 CIS HEXASHIFT		
		A30/411	+ AXION 840 CEBIS HEXASHIFT		
5) Type/Subtype					
		A30/500	+ AXION 850 CIS HEXASHIFT		
		A30/511	+ AXION 850 CEBIS HEXASHIFT		



1

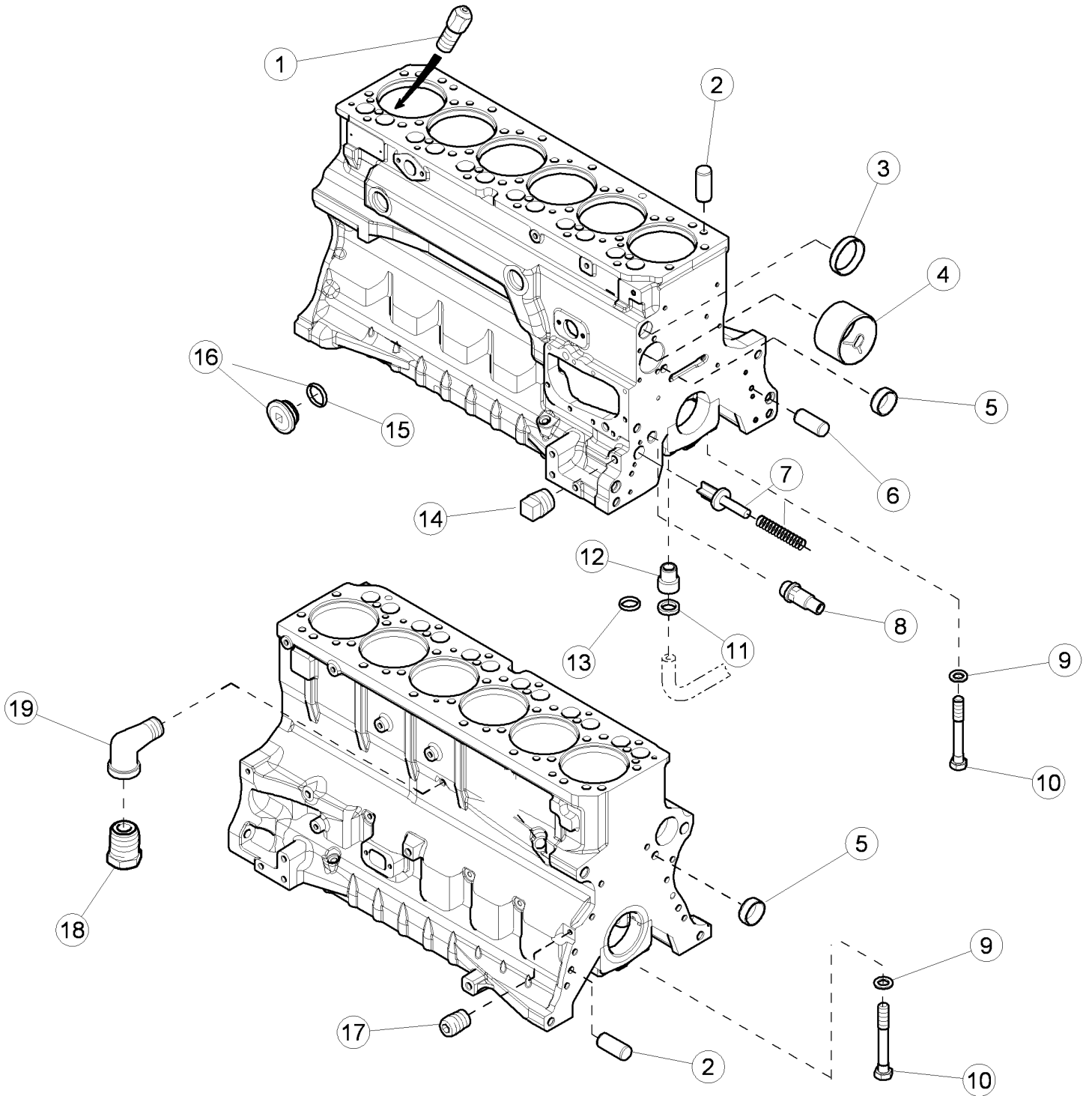
010 COMPLETE ENGINE 1)

Pos.	Part No.	Description	Dimension	Quantity	Conditions
1	00 1150 448 0	LONG BLOCK ENGINE		1	
1) Type/Subtype					
		A30/200	+ AXION 820 CIS HEXASHIFT		
		A30/205	+ AXION 820		
		A30/211	+ AXION 820 CEBIS HEXASHIFT		
		A30/300	+ AXION 830 CIS HEXASHIFT		
		A30/311	+ AXION 830 CEBIS HEXASHIFT		
		A30/400	+ AXION 840 CIS HEXASHIFT		
		A30/405	+ AXION 840		
		A30/500	+ AXION 850 CIS HEXASHIFT		
		A30/505	+ AXION 850		



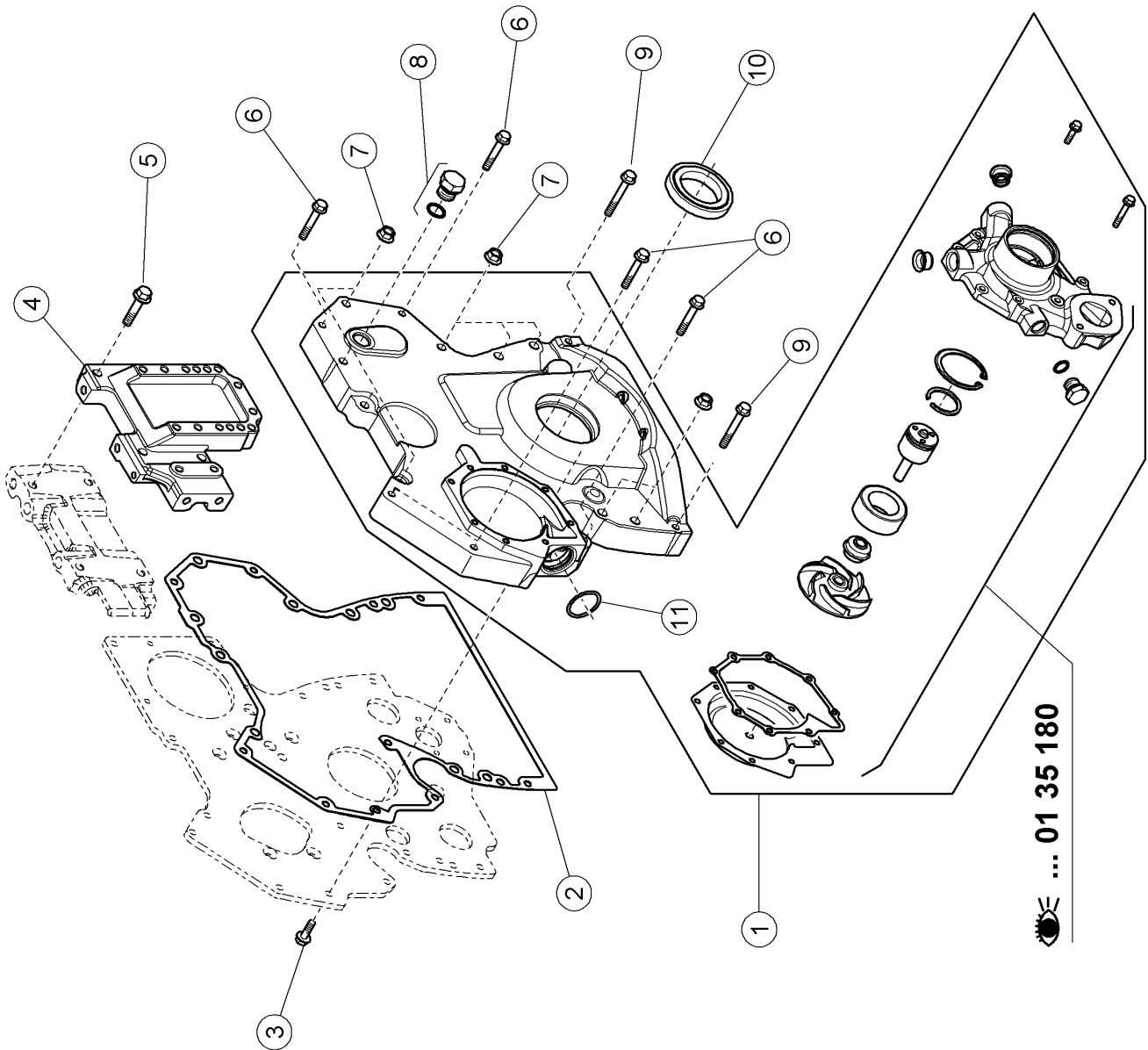
010 COMPLETE ENGINE 1)

Pos.	Part No.	Description	Dimension	Quantity	Conditions
1	00 2608 192 0	ENGINE	139-165KW DZ104771	1	2)
			STAGE		
1	00 2608 193 0	ENGINE	165-187KW DZ104772	1	3)
			STAGE		
1)	Type/Subtype				
		A30/215			+ AXION 820 Stage 2
		A30/515			+ AXION 850 Stage 2
2)	Type/Subtype				
		A30/215			+ AXION 820 Stage 2
3)	Type/Subtype				
		A30/515			+ AXION 850 Stage 2



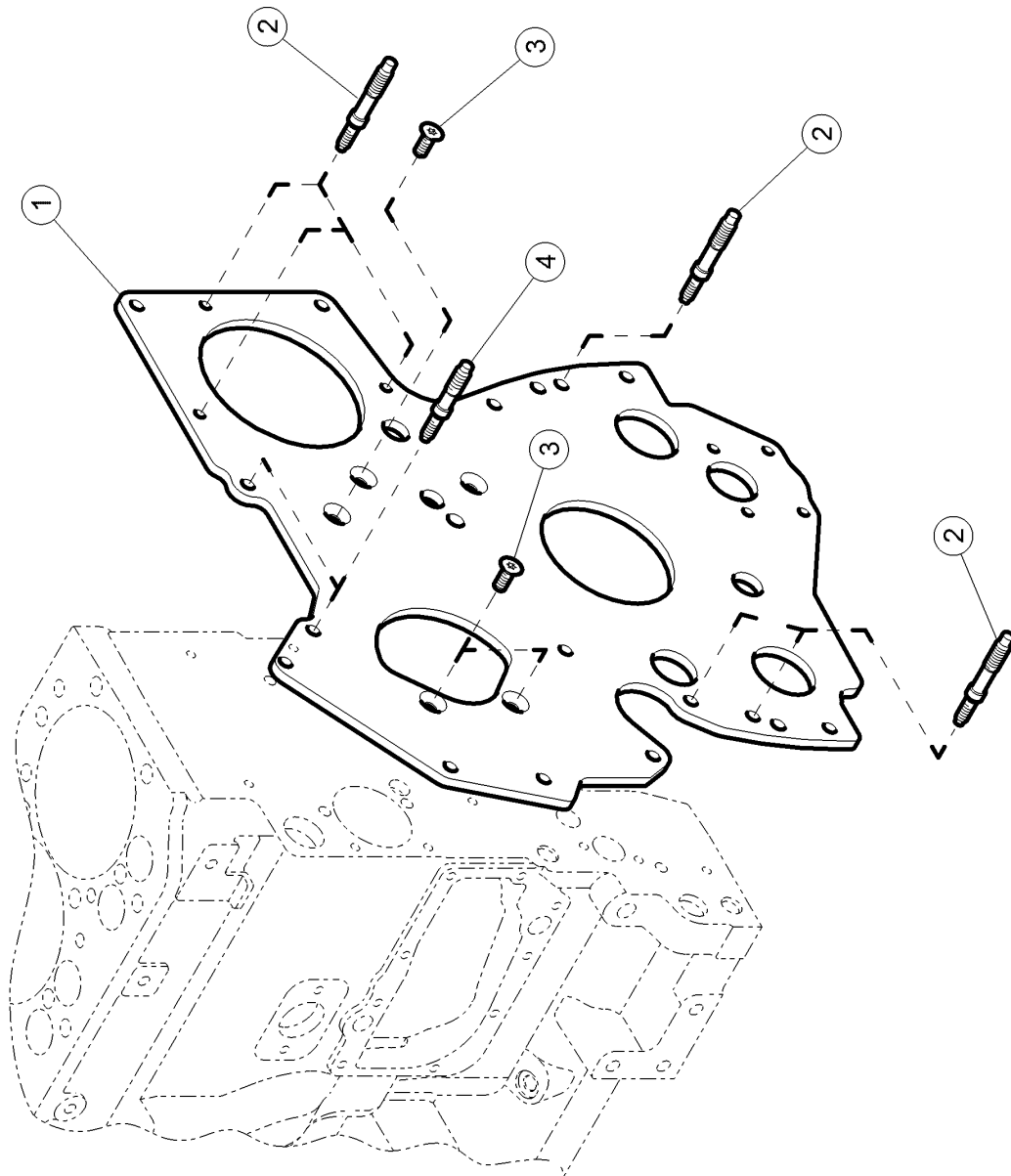
100 CRANKCASE

Pos.	Part No.	Description	Dimension	Quantity	Conditions
1	60 0502 143 6	SPRAY NOZZLE		6	
2	60 0501 317 4	CENTRING PIN		2	
3	60 0502 143 9	BLANKING COVER		1	
4	60 0501 294 1	BEARING		1	
5	60 0501 319 8	BLANKING COVER		2	
6	60 0501 319 6	CENTRING PIN		1	
7	60 0501 402 9	VALVE		1	
8	60 0502 869 1	VALVE		1	
9	60 0502 143 7	WASHER	13X22X2,5	14	
10	60 0501 320 6	SCREW		14	
11	60 0501 334 1	O-RING		1	
12	60 0501 597 2	BUSHING		1	
13	60 0501 320 3	O-RING		1	
14	60 0501 597 1	LOCK		1	
15	60 0502 339 4	O-RING		1	
16	60 0502 905 2	PLUG		1	
17	60 0502 144 0	LOCK		1	
18	60 0502 665 3	PLUG		1	
19	00 1132 468 0	ELBOW CONNECTOR		1	



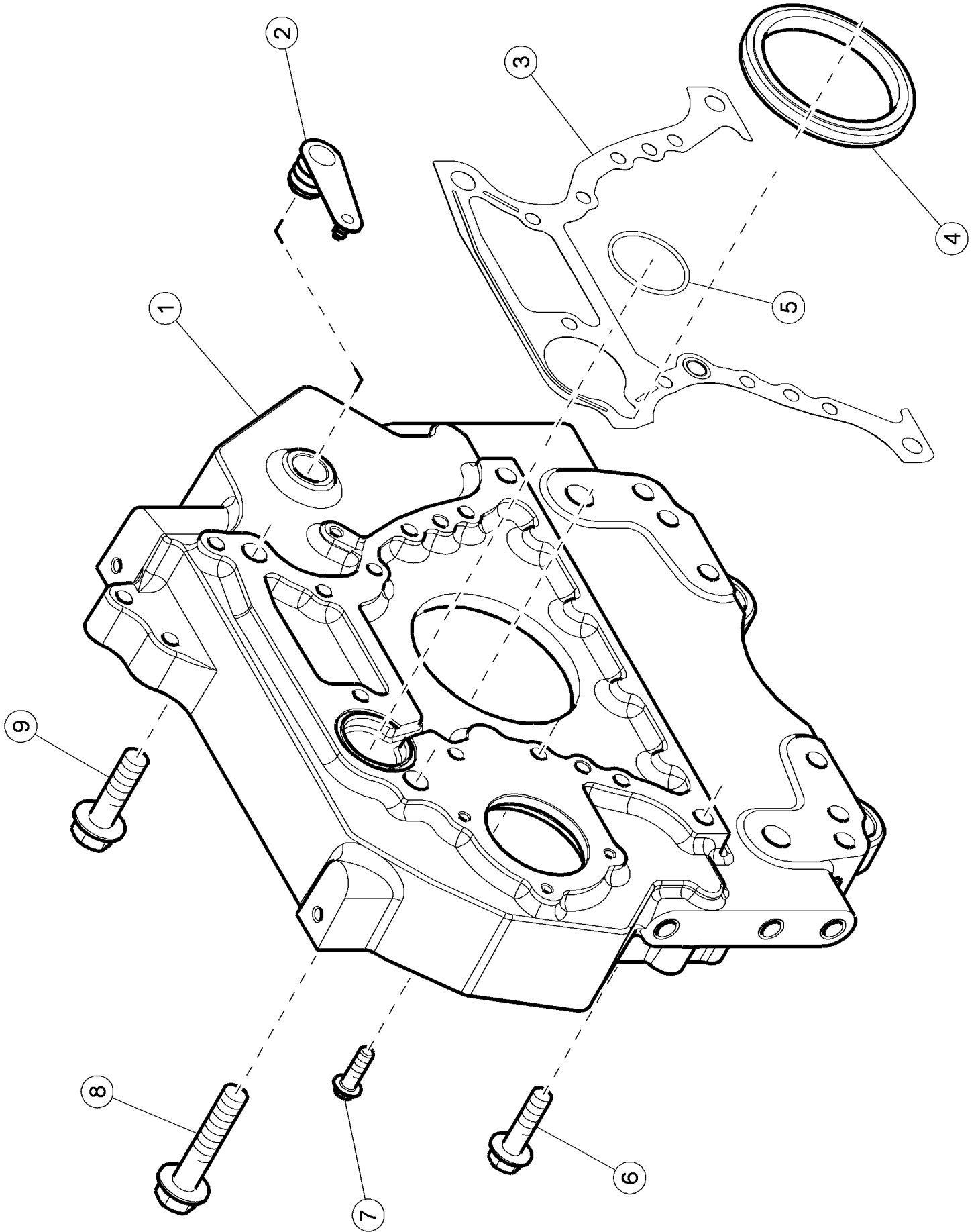
120 TIMING CASE

Pos.	Part No.	Description	Dimension	Quantity	Conditions
1	00 1162 415 0	CASING		1	
2	00 1162 416 0	FLAT SEAL		1	
3	60 0502 145 6	SCREW	M8X25	1	
4	00 1132 471 0	SUPPORT		1	
5	60 0502 716 2	SCREW	M10X45-LH	4	
6	60 0502 593 6	SCREW	M8X50	5	
7	60 0502 144 9	NUT		9	
8	60 0502 160 3	LOCK	M22X1,5	1	
9	60 0502 145 0	SCREW	M08X60	3	
10	00 1169 885 0	GASKET		1	
11	60 0500 796 4	O-RING	37,69 X 3,53 NBR 80	1	



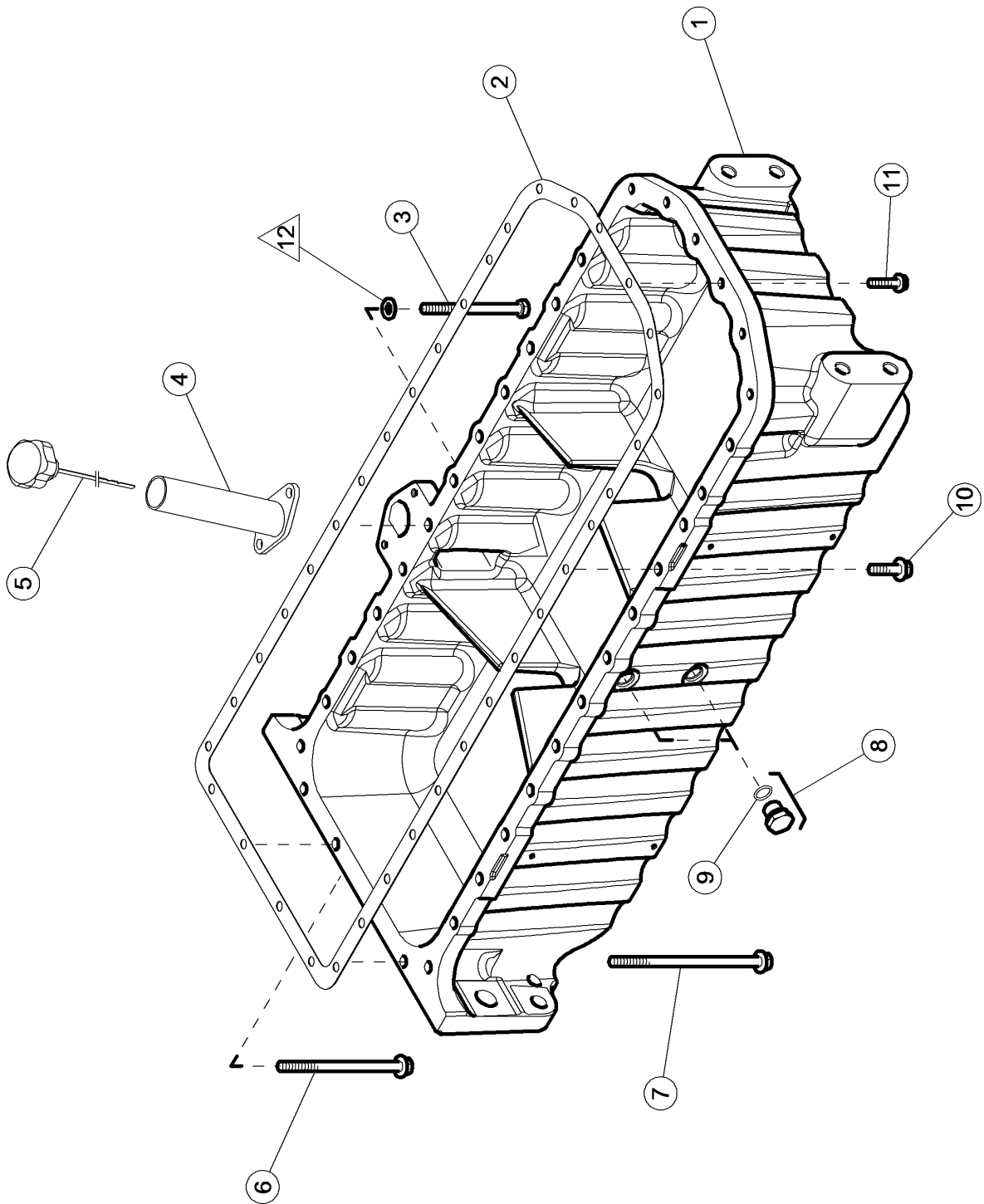
120 TIMING CASE

Pos.	Part No.	Description	Dimension	Quantity	Conditions
1	00 1160 233 0	PLATE		1	
2	00 1132 473 0	STUD BOLT		7	
3	60 0502 339 7	SCREW		5	
4	60 0502 339 8	STUD BOLT		2	



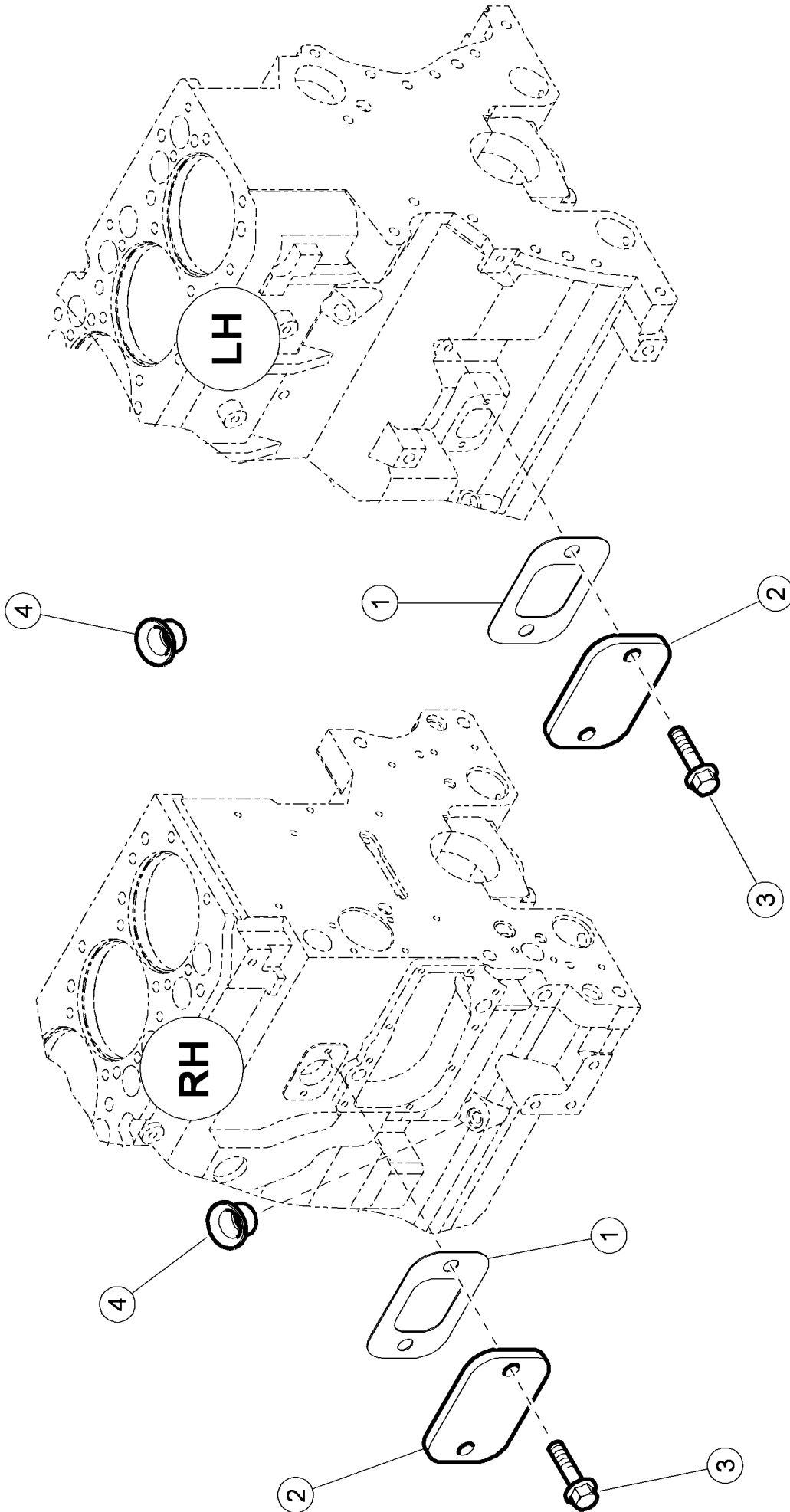
140 FLYWHEEL HOUSING

Pos.	Part No.	Description	Dimension	Quantity	Conditions
1	77 0007 440 4	CARTER VOLANT MOTEUR		1	
2	60 0501 611 6	BLANKING COVER		1	
3	77 0005 577 1	GASKET		1	
4	00 1169 730 0	LIP SEAL		1	
5	60 0501 604 9	O-RING		1	
6	60 0502 777 3	SCREW	M16X60	2	
7	60 0502 625 8	SCREW	12 X 1,75 -37 - M12X40 M20X100	8	
8	00 1132 477 0	SCREW		1	
9	00 1132 476 0	SCREW		1	



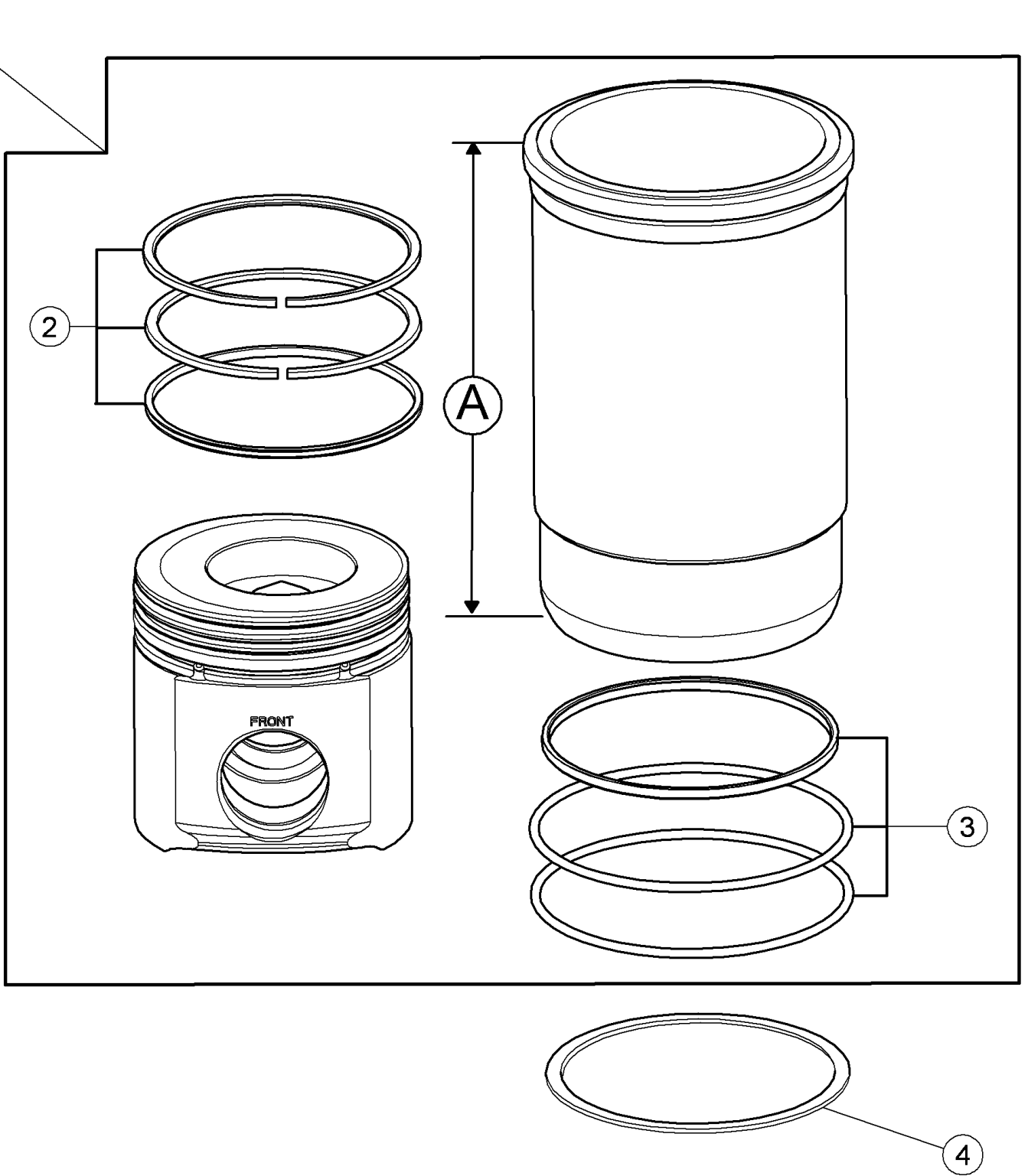
160 OIL PAN

Pos.	Part No.	Description	Dimension	Quantity	Conditions
1	00 1145 558 0	BOX		1	
2	60 0502 666 6	GASKET		1	
3	60 0502 147 1	SCREW		2	
4	60 0502 942 0	TUBE		1	
5	00 1131 807 0	GAUGE		1	
6	00 1132 474 0	SCREW		2	
7	00 1132 475 0	SCREW		2	
8	60 0502 160 7	PLUG	F-M18X1,5 ERS.D.7700054	2	
9	60 0502 160 8	O-RING	15,3X2,2-N	2	
10	60 0502 165 4	SCREW	M10X35	24	
11	60 0502 144 4	SCREW	M8X35	6	
12	77 0305 307 5	WASHER	10,4 X 20 X 2	2	



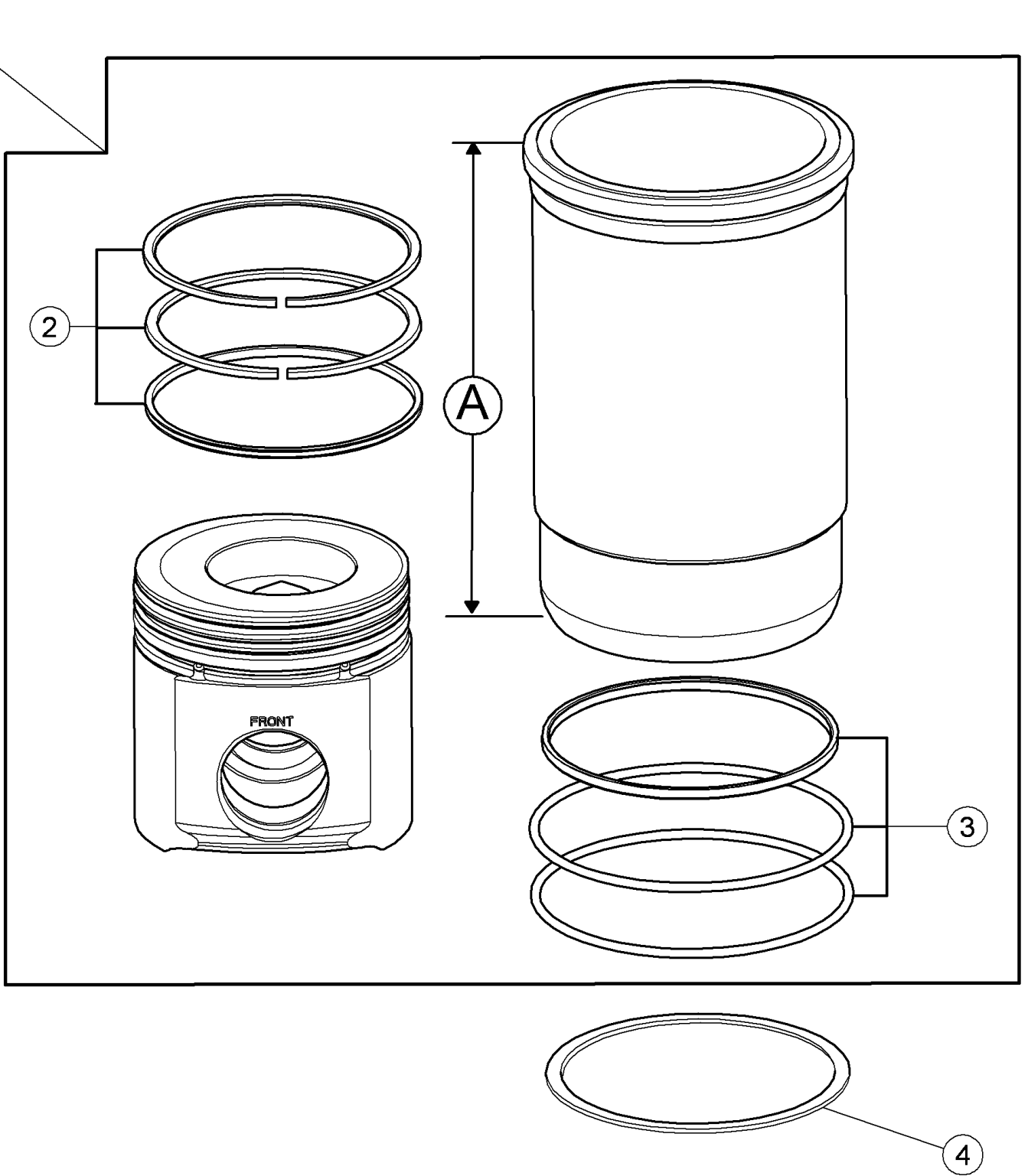
180 PLUGS

Pos.	Part No.	Description	Dimension	Quantity	Conditions
1	60 0502 470 4	GASKET		2	
2	60 0502 470 2	PLATE		2	
3	60 0502 149 8	SCREW	M8X20	4	
4	60 0502 662 4	PLUG		2	



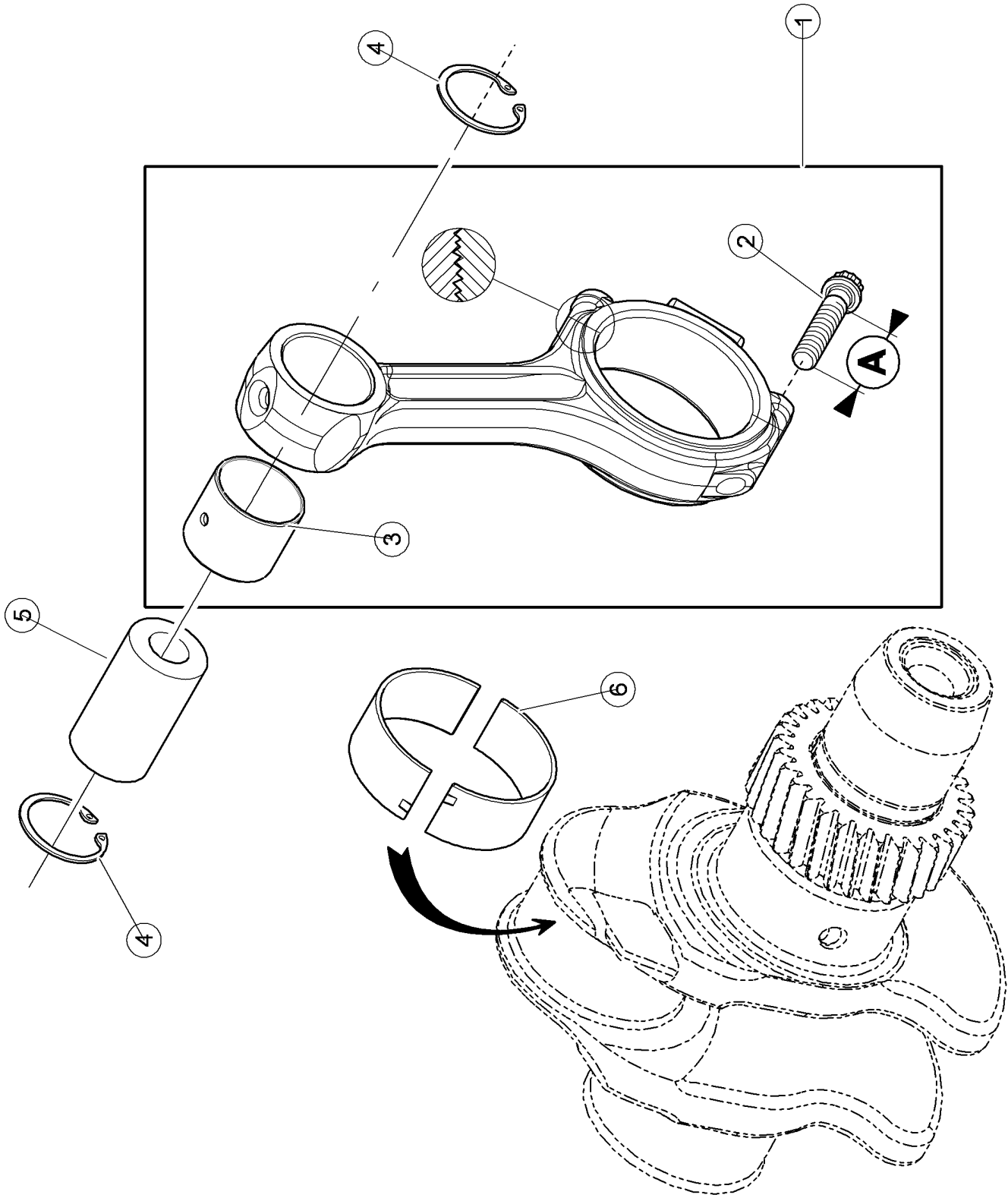
100 CYLINDER LINER, PISTON 1)

Pos.	Part No.	Description	Dimension	Quantity	Conditions
1	00 1132 478 0	PISTON-LINER		6	
2	00 1132 480 0	SET OF PISTON RINGS		6	
3	60 0501 280 9	SEALING RING SET		6	
4	60 0501 281 5	ADJUSTING DISC		6	2)
4	60 0501 281 6	ADJUSTING DISC		6	3)
1)	Type/Subtype	A30/100 A30/105 A30/111	+ AXION 810 CIS HEXASHIFT + AXION 810 + AXION 810 CEBIS HEXASHIFT		
2)	Remarks		[SR]EP.0.05MM		
3)	Remarks		[SR]EP.0.10MM		



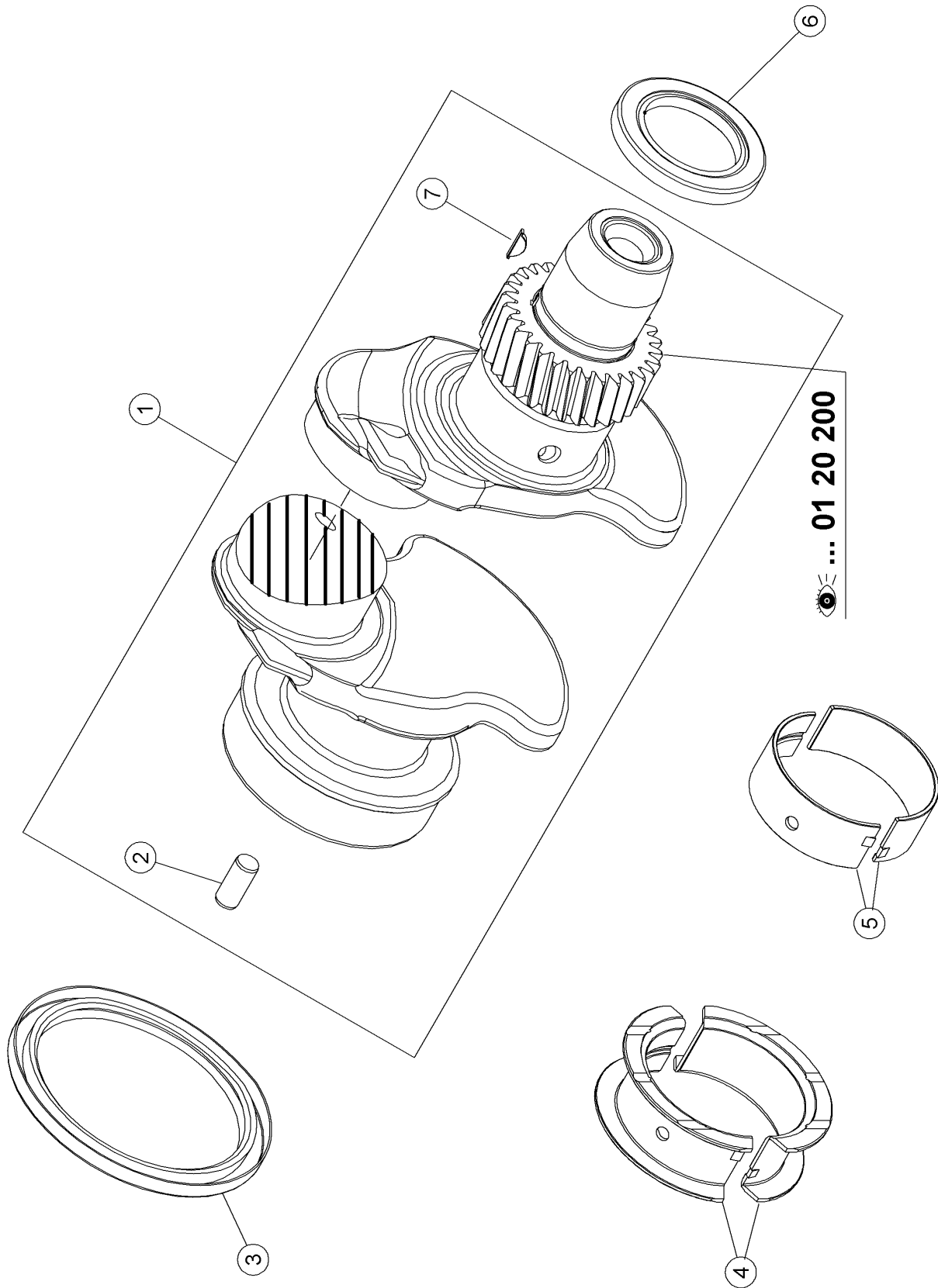
100 CYLINDER LINER, PISTON 1)

Pos.	Part No.	Description	Dimension	Quantity	Conditions
1	00 1132 479 0	CYLINDER/RAM		6	
2	00 1132 481 0	PISTON RING SET		6	
3	60 0501 280 9	SEALING RING SET		6	
4	60 0501 281 5	ADJUSTING DISC		6	2)
4	60 0501 281 6	ADJUSTING DISC		6	3)
1)	Type/Subtype	A30/100 A30/105 A30/111	- AXION 810 CIS HEXASHIFT - AXION 810 - AXION 810 CEBIS HEXASHIFT		
2)	Remarks		[SR]EP.0.05MM		
3)	Remarks		[SR]EP.0.10MM		



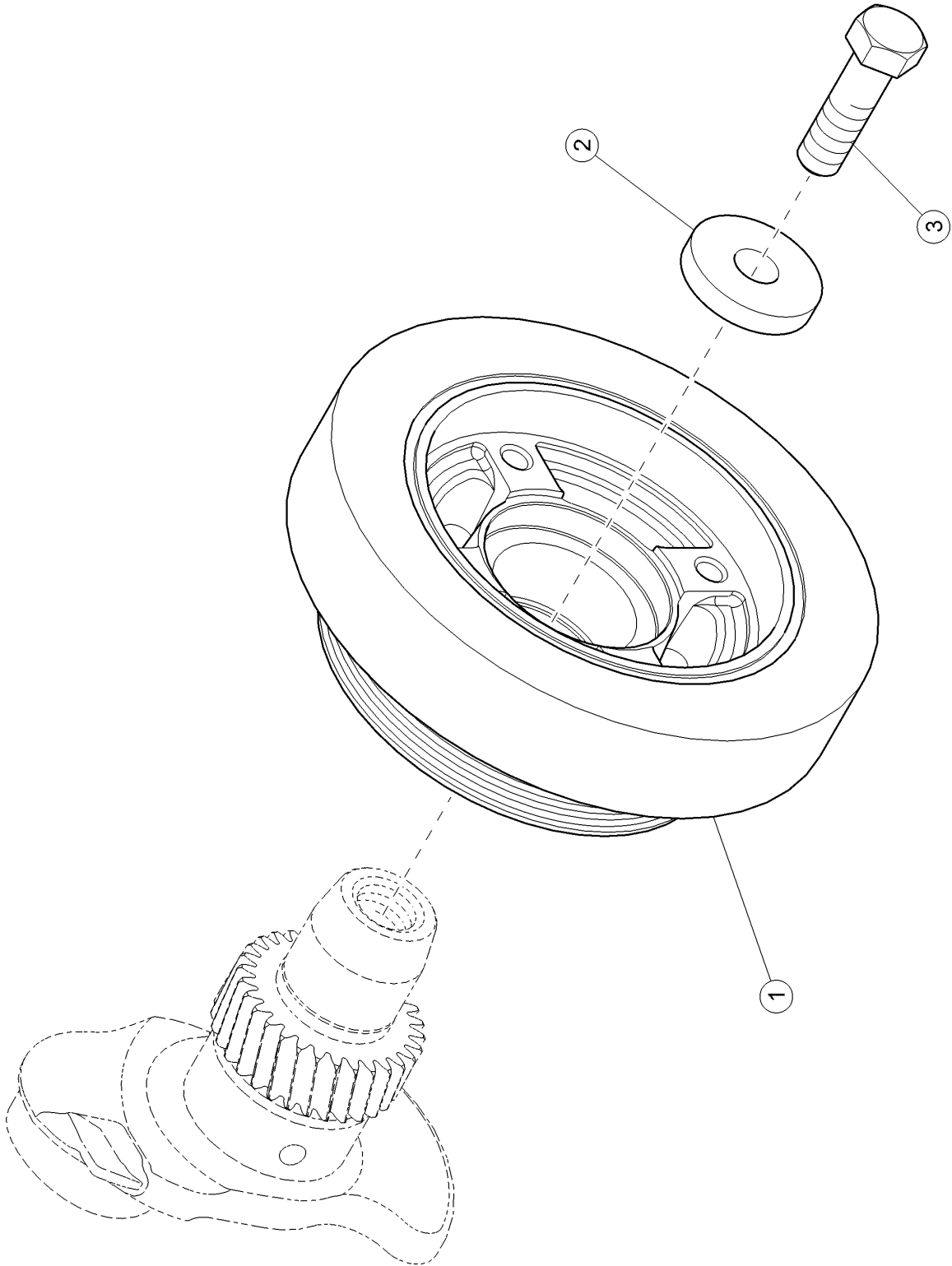
120 CONNECTING ROD, CONNECTING ROD BEARINGS

Pos.	Part No.	Description	Dimension	Quantity	Conditions
1	60 0502 453 6	CONNECTING ROD		6	
2	60 0502 453 7	SCREW	12 PTS M12 X 1,25 - 61	12	
3	60 0502 147 6	RING		6	
4	60 0501 281 4	INNER CIRCLIP		12	
5	00 1132 482 0	AXLE		6	
6	60 0502 147 8	BEARING		6	
6	60 0502 147 9	BEARING		6	1)
1)	Remarks		-0.254MM		



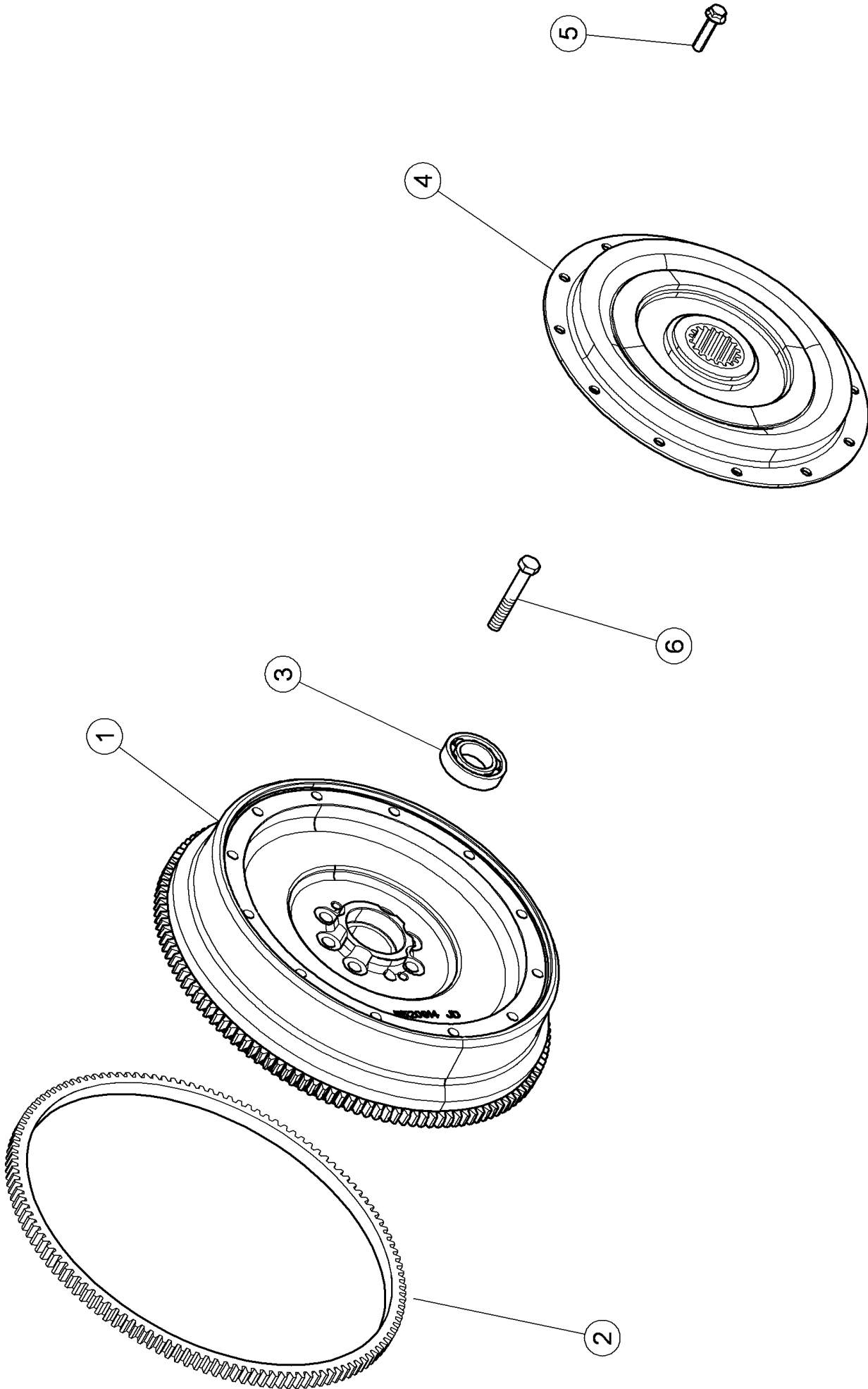
140 CRANKSHAFT

Pos.	Part No.	Description	Dimension	Quantity	Conditions
1	60 0502 869 6	CRANKSHAFT		1	
2	60 0501 317 4	CENTRING PIN		1	
3	00 1169 730 0	LIP SEAL		1	
4	60 0502 148 1	BEARING		1	
4	60 0502 148 2	BEARING		1	1)
5	60 0502 148 3	BEARING		6	
5	60 0502 148 4	BEARING		6	1)
6	00 1169 885 0	GASKET		1	
7	60 0502 869 7	KEY		1	
1)	Remarks				-0.254MM



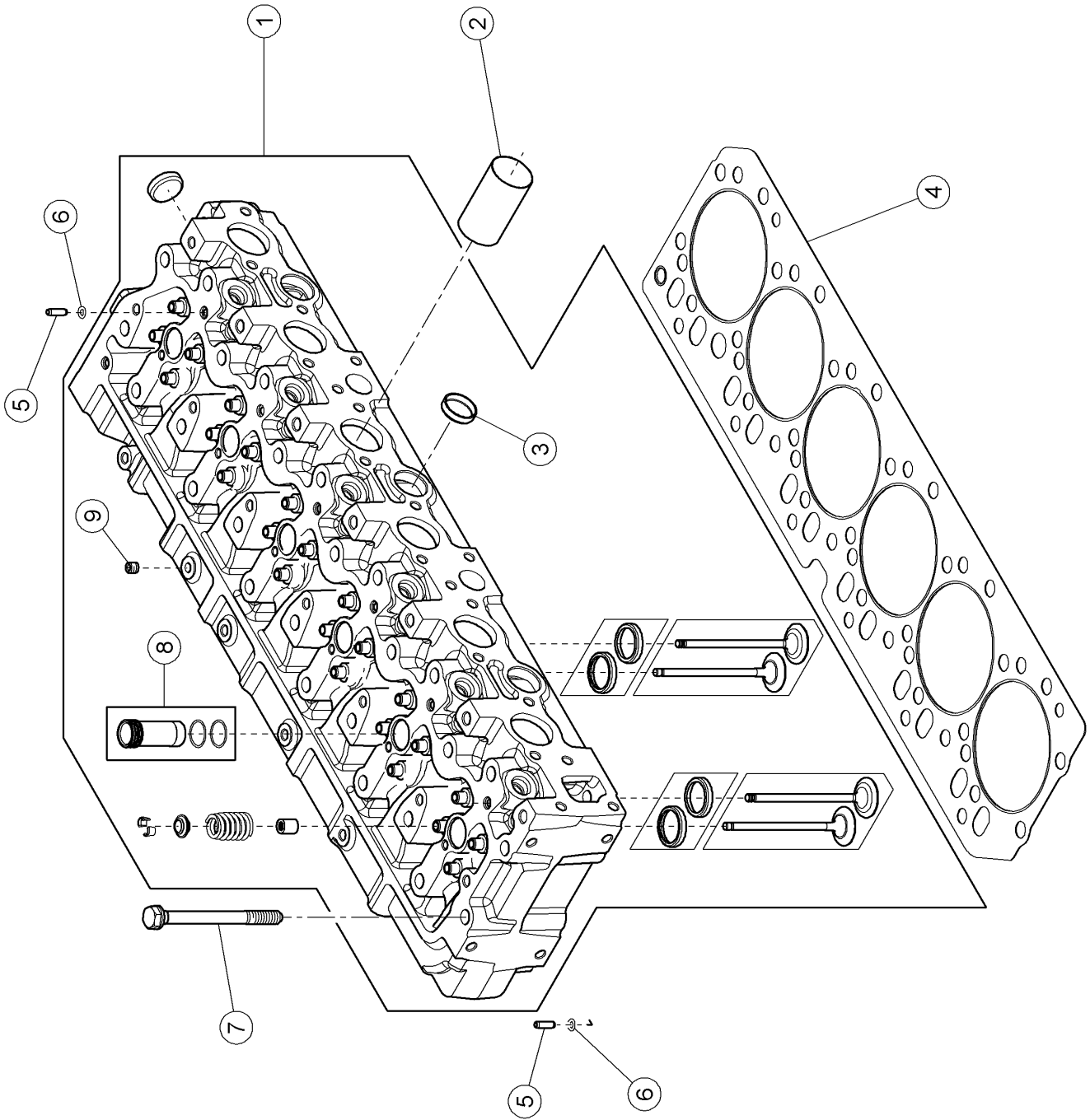
160 CRANKSHAFT PULLEY WHEEL

Pos.	Part No.	Description	Dimension	Quantity	Conditions
1	00 1137 796 0	PULLEY		1	
2	60 0503 045 1	SPACER		1	
3	60 0502 866 8	SCREW	M20X70	1	



220 FLYWHEEL

Pos.	Part No.	Description	Dimension	Quantity	Conditions
1	77 0007 440 5	FLYWHEEL		1	
2	77 0004 531 5	TOOTHED RIM		1	
3	00 0235 830 0	GRVD.BALL BEARING	6206-2RS*	1	
4	77 0005 791 8	HUB		1	
5	77 0005 997 8	HEXAGON HEAD BOLT	M10X40	12	
6	00 1135 310 0	SCREW		6	





Suggest:

For more complete manuals. Please go to the home page.

<https://www.ebooklibonline.com>

If the above button click is invalid. Please download this document first, and then click the above link to download the complete manual.

Thank you so much for reading

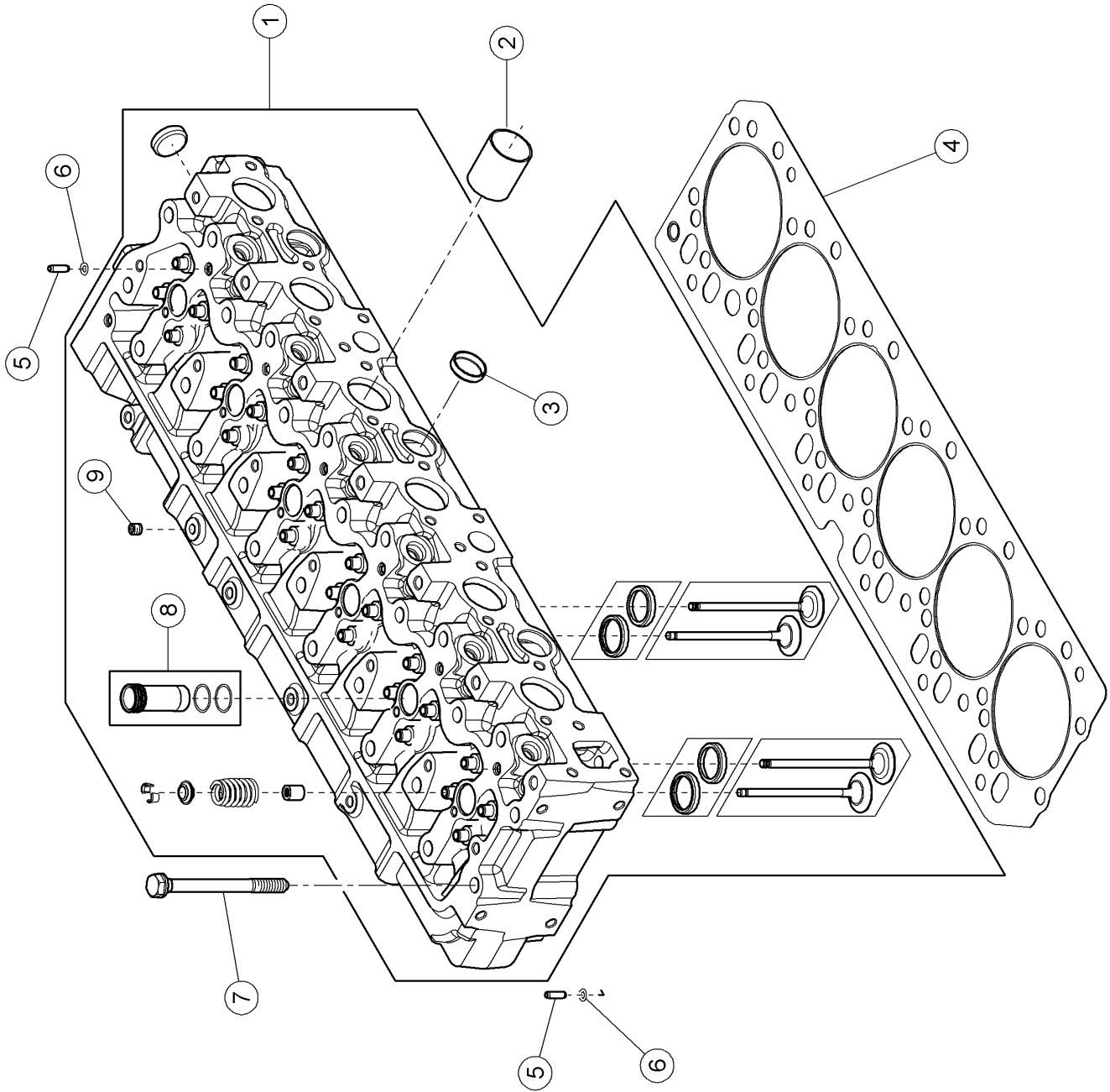
100 CYLINDER HEAD 1)

Pos.	Part No.	Description	Dimension	Quantity	Conditions
1	00 1164 535 0	CYLINDER HEAD		1	
2	00 1132 502 0	LINER		6	
3	60 0501 288 3	LOCK		4	
4	00 1146 047 1	CYLINDER HEAD GASKET	94*32*3	1	
5	00 1132 503 0	PIN		2	
6	00 1145 929 0	O-RING		7	
7	00 1145 541 0	SCREW	1/2-13UNC-2AX5 1/3	26	
8	00 1142 367 0	LINER		6	
9	00 1141 206 0	PLUG		1	

1) Type/Subtype

A30/215
A30/515

- AXION 820 Stage 2
- AXION 850 Stage 2



<https://www.ebooklibonline.com>

Hello dear friend!

Thank you very much for reading.

Enter the link into your browser.

The full manual is available for immediate download.

<https://www.ebooklibonline.com>