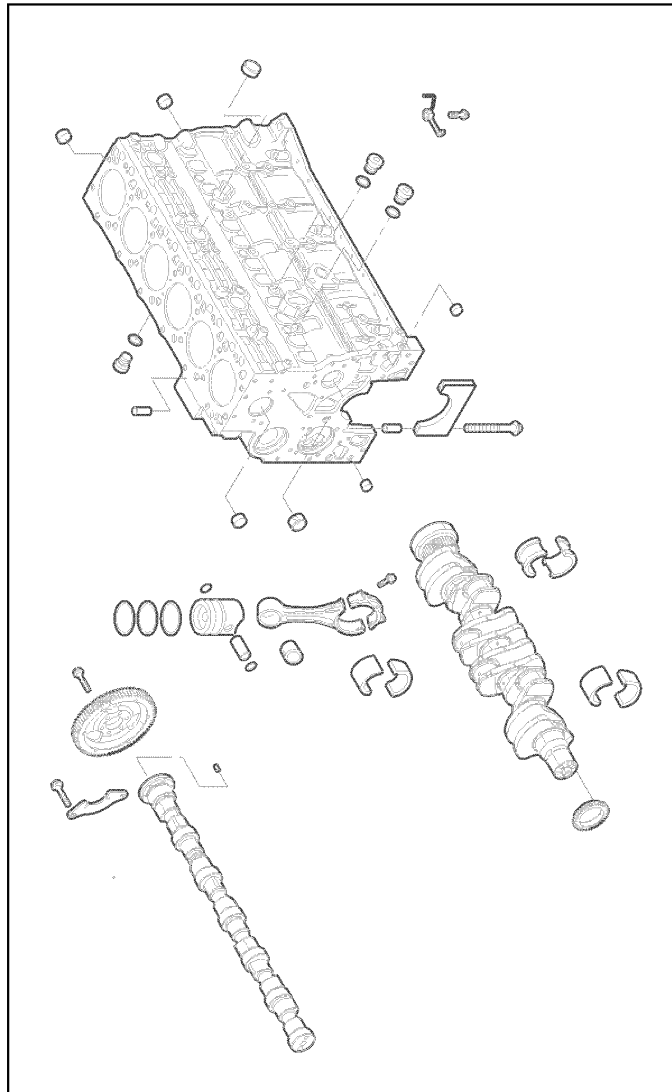


010 COMPLETE ENGINE 1)

Pos.	Part No.	Description	Dimension	Quantity	Conditions
1	00 2617 688 0	ENGINE	FPT 6CYL 6PS 153KW MAX P	1	2)
2	00 2617 690 0	ENGINE	FPT 168 KW MAX POWER ISO	1	3)
3	00 2617 692 0	ENGINE	FPT 176 KW MAX POWER ISO	1	4)
4	00 2617 693 0	ENGINE	FPT 186 KW MAX POWER ISO	1	5)
5	00 2617 687 0	ENGINE	FPT 142 KW MAX POWER ISO	1	6)
6	00 2617 689 0	ENGINE	FPT 6CYL 6PS 153KW MAX P	1	7)
7	00 2617 691 0	ENGINE	FPT 6CYL 6PS 168KW MAX P	1	8)
8	00 2617 694 0	ENGINE	FPT 6CYL 6PS 186KW MAX P	1	9)

1)	machine no.		+ from A6000050
2)	Equipment	TJ_P02_0601	215 hp max. output, 205 hp type-approved rated output, ECE R 120
3)	Equipment	TJ_P02_0602	235 hp max. output, 229 hp type-approved rated output, ECE R 120
4)	Equipment	TJ_P02_0603	250 hp max. output, 240 hp type-approved rated output, ECE R 120
5)	Equipment	TJ_P02_0604	264 hp max. output, 253 hp type-approved rated output, ECE R 120
6)	Equipment	TJ_P02_0605	205 hp max. output, 193 hp type-approved rated output, ECE R 120
7)	Equipment	TJ_P02_0607	215 hp max. output, 205 hp type-approved rated output, ECE R 120
8)	Equipment	TJ_P02_0608	235 hp max. output, 225 hp type-approved rated output, ECE R 120
9)	Equipment	TJ_P02_0609	264 hp max. output, 250 hp type-approved rated output, ECE R 120



1

<https://www.ebooklibonline.com>

Hello dear friend!

Thank you very much for reading.

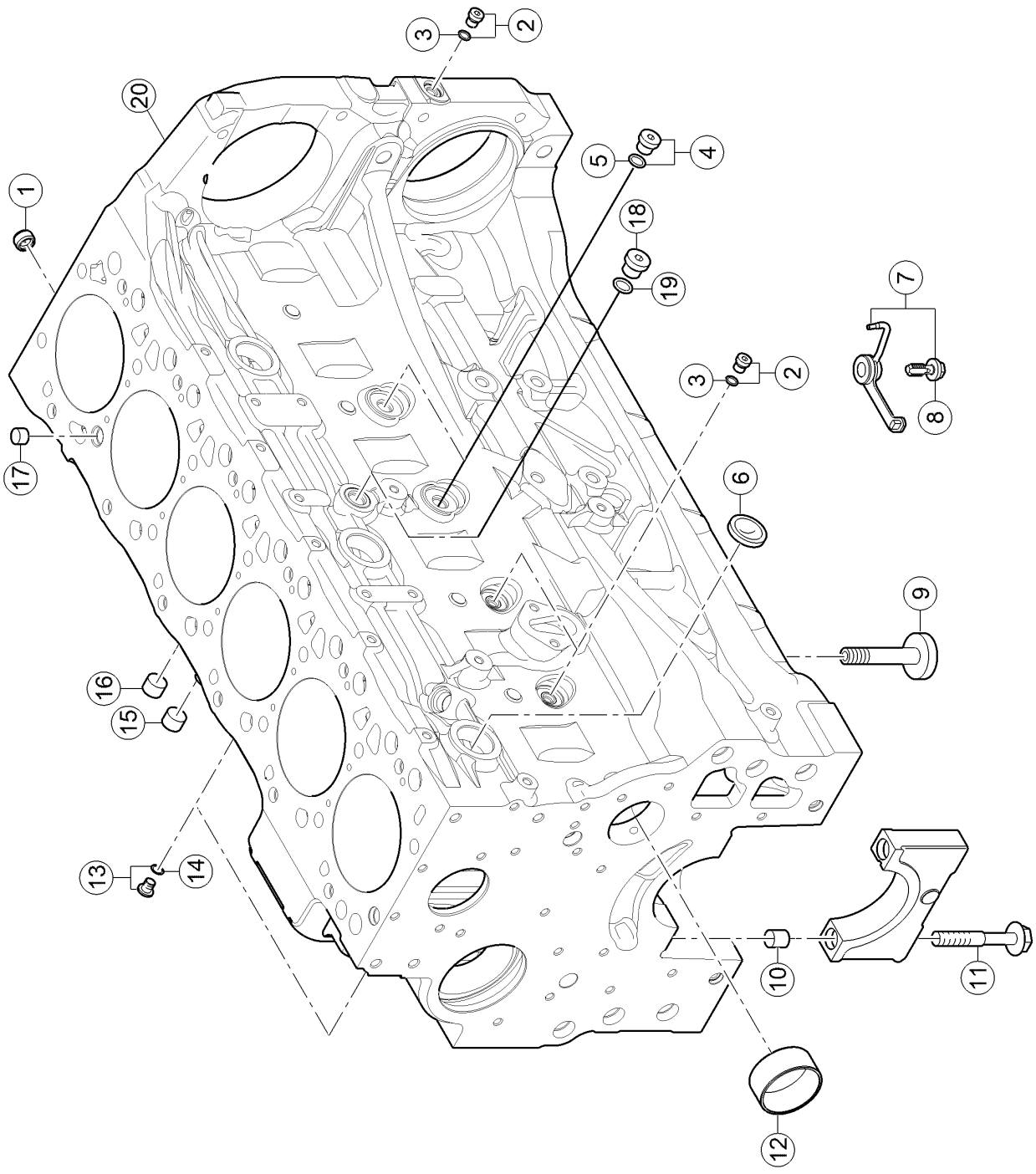
Enter the link into your browser.

The full manual is available for immediate download.

<https://www.ebooklibonline.com>

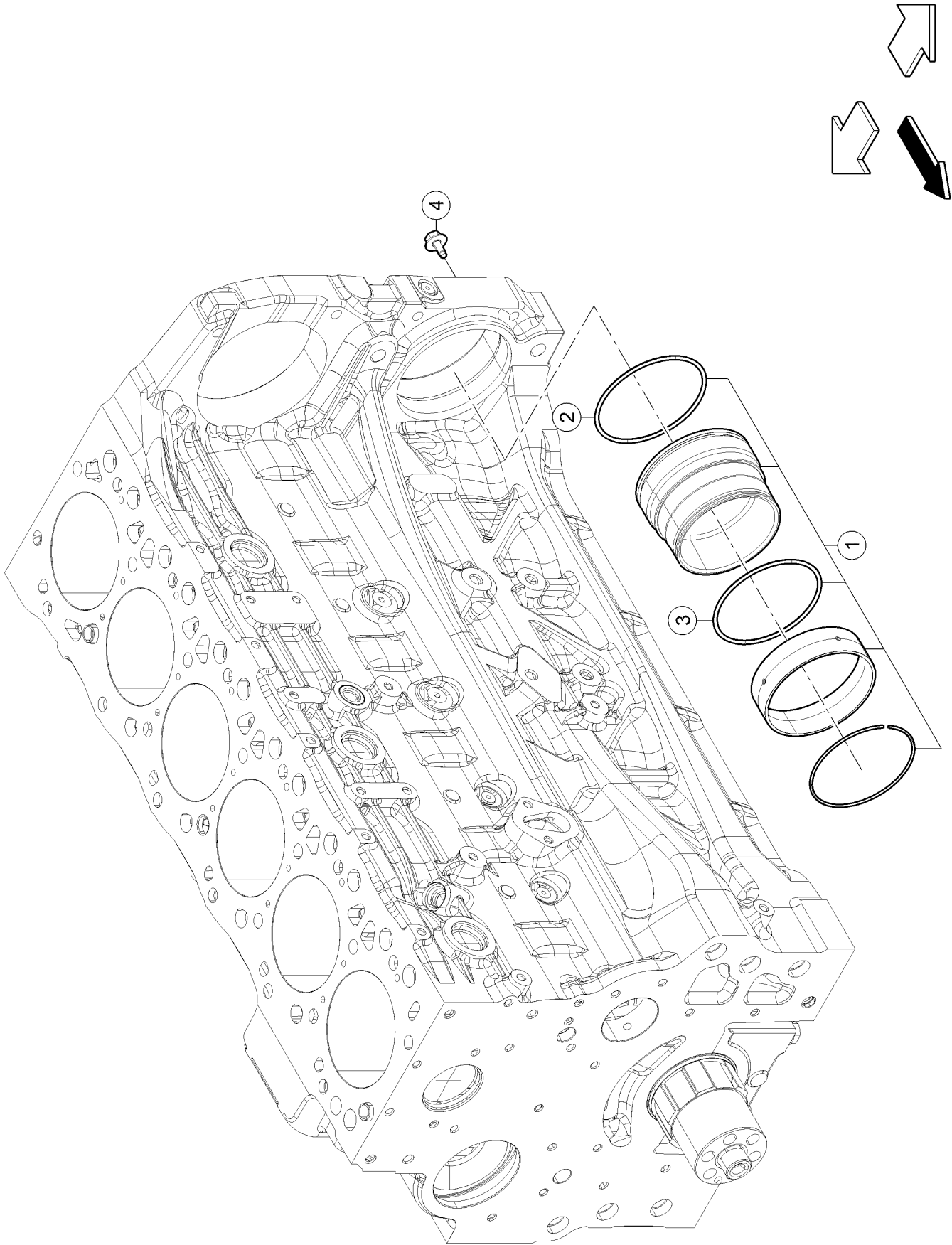
010 COMPLETE ENGINE 1)

Pos.	Part No.	Description	Dimension	Quantity	Conditions
1	00 1149 432 0	SHORT BLOCK		1	
1)	machine no.				+ from A6000050



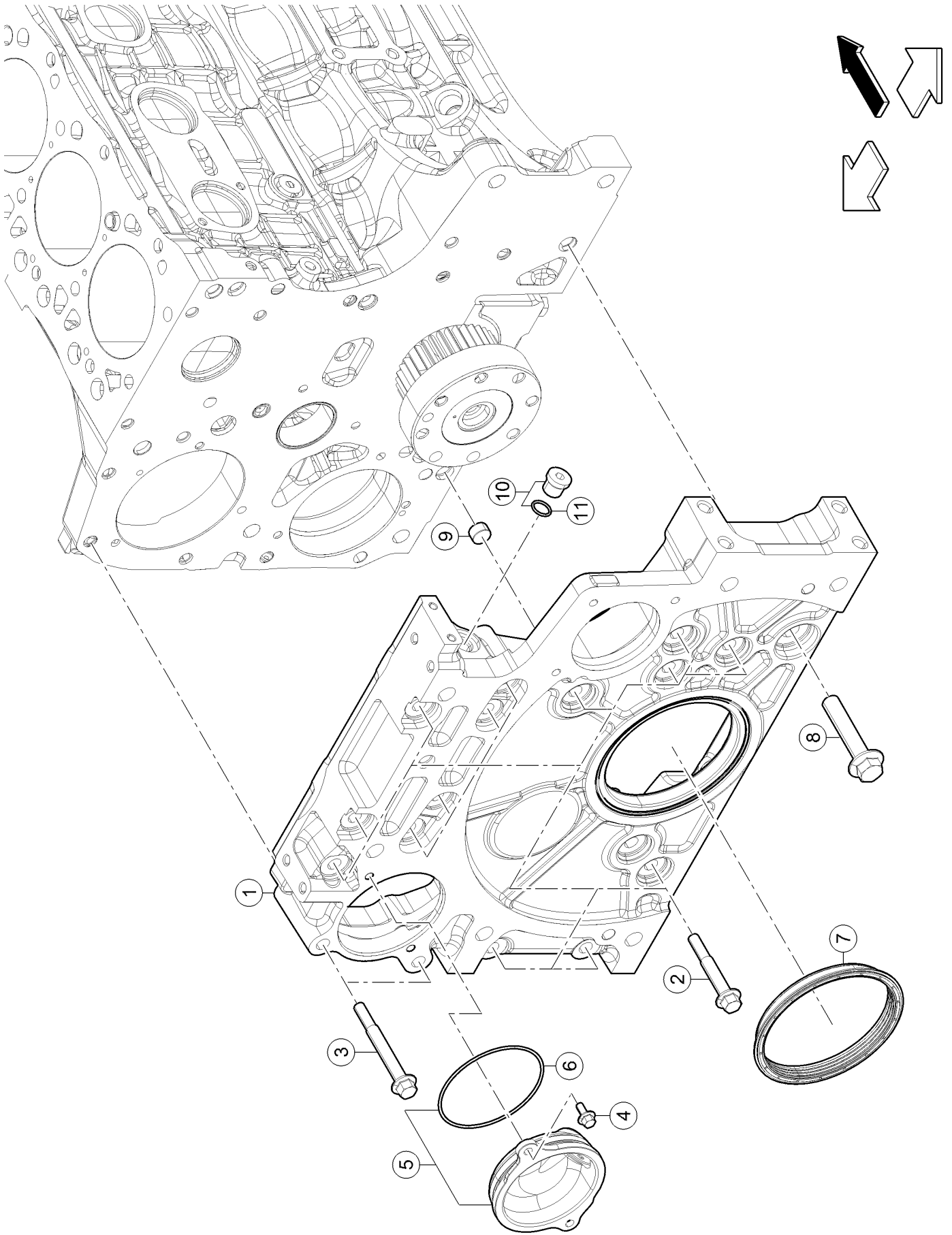
100 CRANKCASE

Pos.	Part No.	Description	Dimension	Quantity	Conditions
1	00 1139 588 0	NOZZLE		1	
2	60 0503 098 3	PLUG		3	
3	60 0503 098 4	O-RING		3	
4	60 0503 100 0	PLUG		2	
5	60 0503 100 1	O-RING		2	
6	60 0503 098 2	PLUG		3	
7	60 0503 099 8	NOZZLE		6	1)
7	00 1164 565 0	NOZZLE		6	2)
8	60 0503 099 7	SCREW		6	1)
9	00 1149 427 0	PUSHROD		12	
10	60 0503 098 6	CENTRING PIN		14	
11	60 0503 098 5	SCREW		14	
12	60 0503 098 1	BUSHING		1	
13	60 0503 099 3	PLUG		2	
14	60 0503 099 4	O-RING		2	
15	60 0503 099 0	PLUG		2	
16	60 0503 098 0	PLUG		6	
17	60 0503 098 7	CENTRING PIN		2	
18	60 0503 100 2	LOCK		1	
19	00 1140 021 0	SEALING RING		1	
20	00 1167 351 0	CRANKCASE		1	
<hr/>					
1)	machine no.				+ up to A6000012
<hr/>					
2)	machine no.				+ from A6000013
<hr/>					



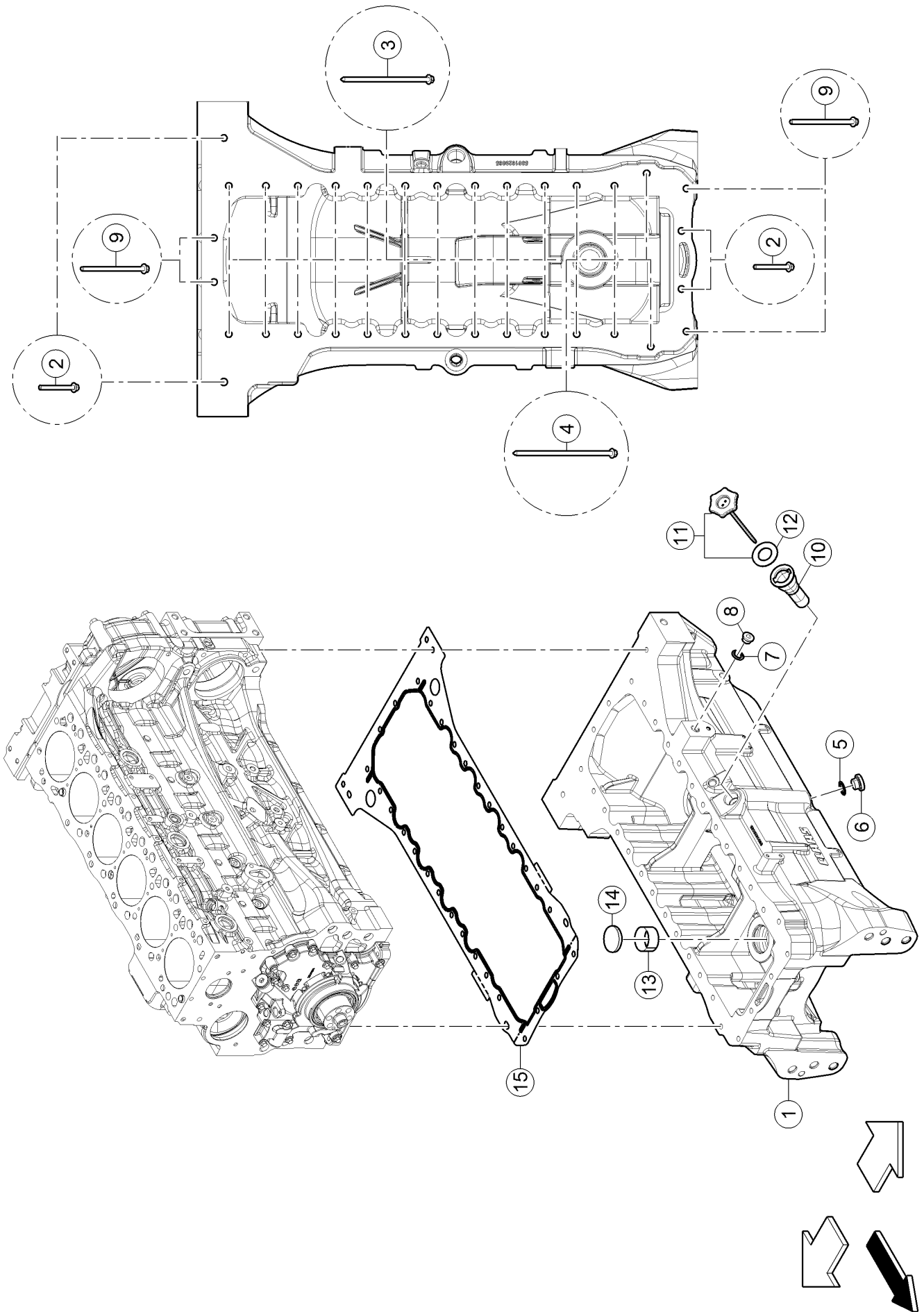
100 CRANKCASE

Pos.	Part No.	Description	Dimension	Quantity	Conditions
1	00 1153 600 0	SMOOTH RING		1	
2	60 0503 120 1	O-RING		1	
3	60 0503 120 2	O-RING		1	
4	00 1153 601 0	STD SCREW		1	



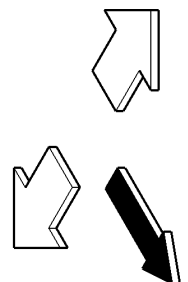
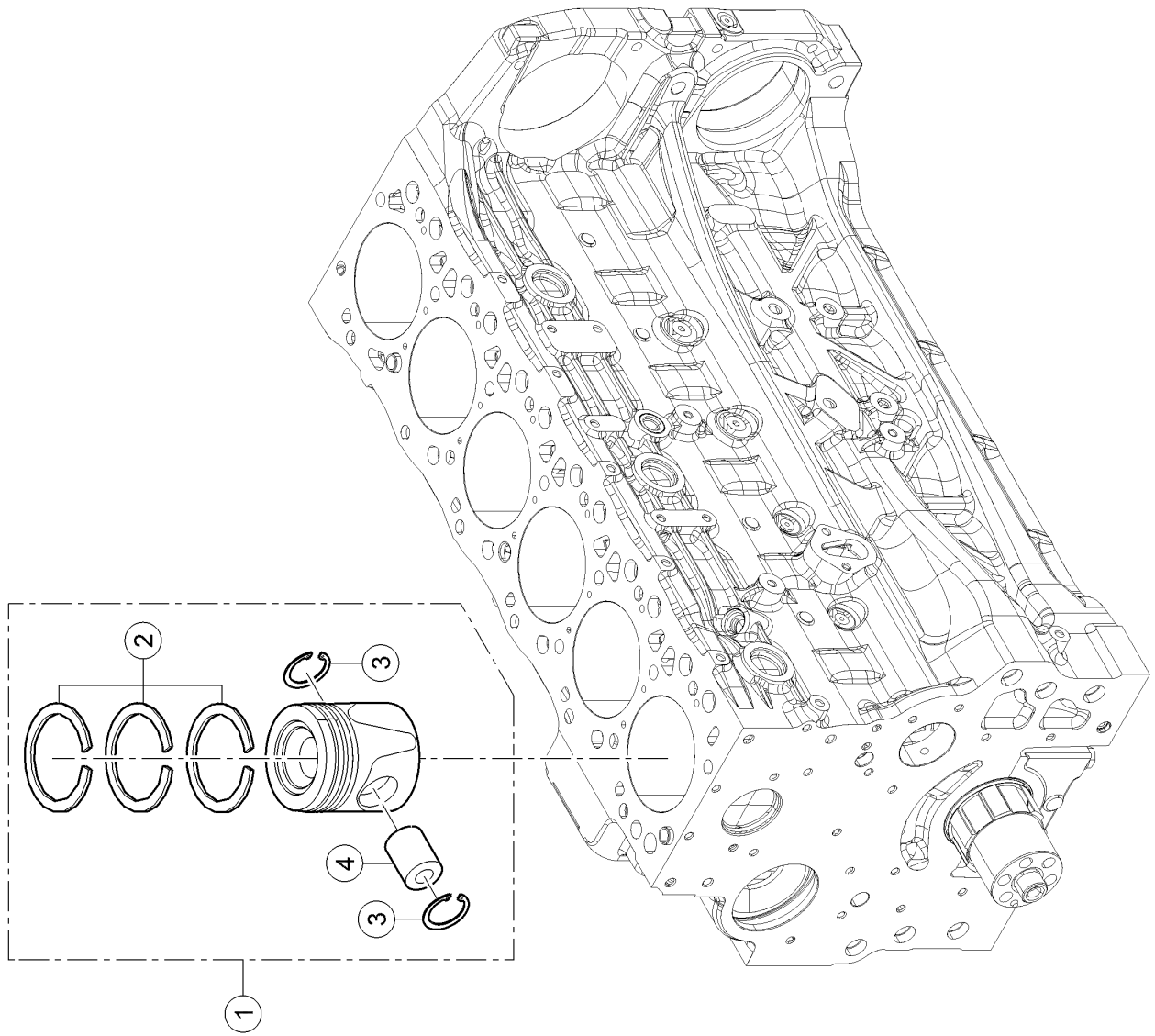
120 TIMING CASE

Pos.	Part No.	Description	Dimension	Quantity	Conditions
1	00 1166 989 0	CASING		1	
2	00 1139 458 0	SCREW		15	
3	00 1139 460 0	SCREW		2	
4	60 0503 112 2	SCREW		2	
5	00 1149 462 0	COVER		1	
6	00 1139 454 0	O-RING		1	
7	00 1147 783 0	SEALING RING		1	
8	00 1139 457 0	SCREW		1	
9	60 0503 100 8	CENTRING PIN		2	
10	60 0503 099 3	PLUG		1	
11	60 0503 099 4	O-RING		1	



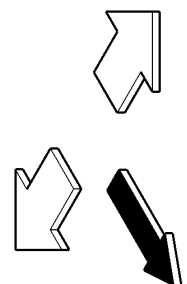
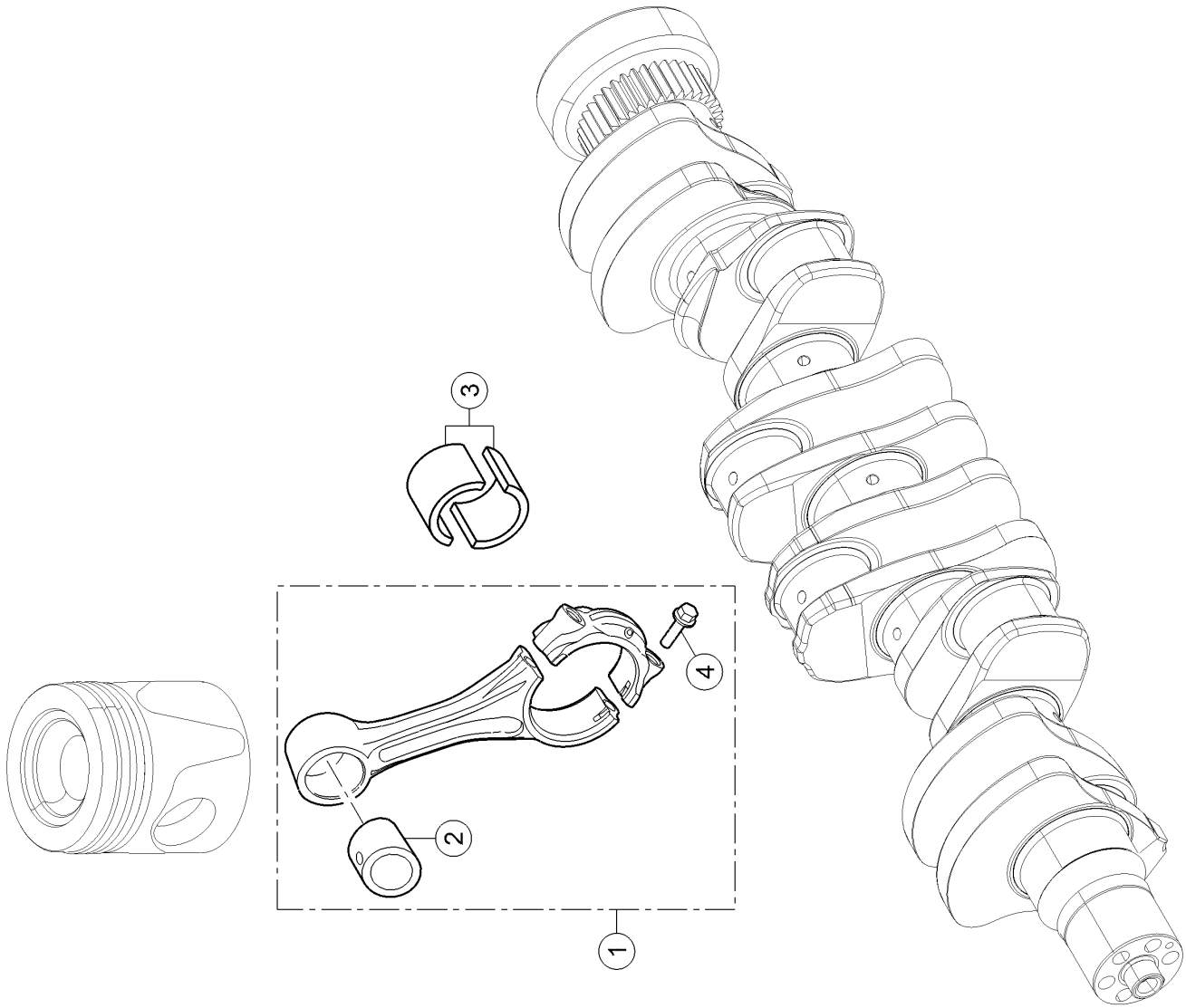
160 OIL PAN

Pos.	Part No.	Description	Dimension	Quantity	Conditions
1	00 1153 444 0	CASING		1	
2	00 1152 885 0	SCREW		4	
3	00 1153 445 0	STD SCREW		20	
4	00 1153 446 0	STD SCREW		6	
5	60 0503 101 1	O-RING		3	
6	60 0503 101 0	SCREW PLUG		3	
7	60 0503 132 7	GASKET		3	
8	60 0502 555 9	LOCK		1	
9	00 1149 499 0	SCREW		4	
10	00 1152 621 0	TUBE		1	
11	00 1152 620 0	GAUGE		1	
12	00 1166 998 0	SEAL		1	
13	60 0503 101 4	ENGINE OIL FILTER		1	
14	60 0503 101 5	LOCK		1	
15	00 1160 926 0	FLAT SEAL		1	



100 CYLINDER LINER, PISTON

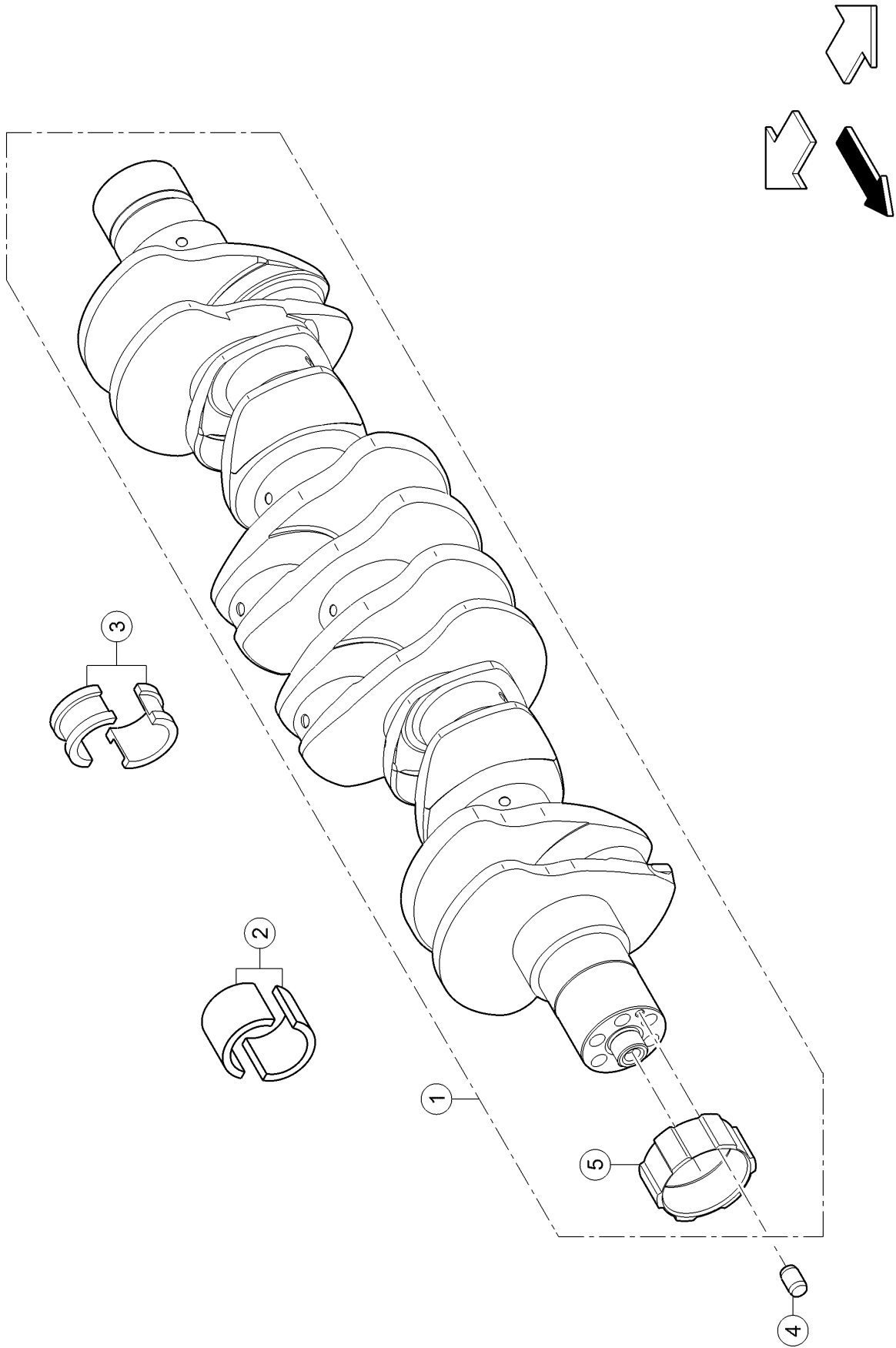
Pos.	Part No.	Description	Dimension	Quantity	Conditions
1	00 1165 433 0	CYLINDER PISTON		6	
2	00 1158 828 0	ENGINE PISTON RING		6	
3	00 1149 532 0	INT RETAINING RING		12	
4	00 1149 533 0	AXLE		6	



120 CONNECTING ROD, CONNECTING ROD BEARINGS

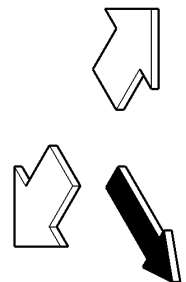
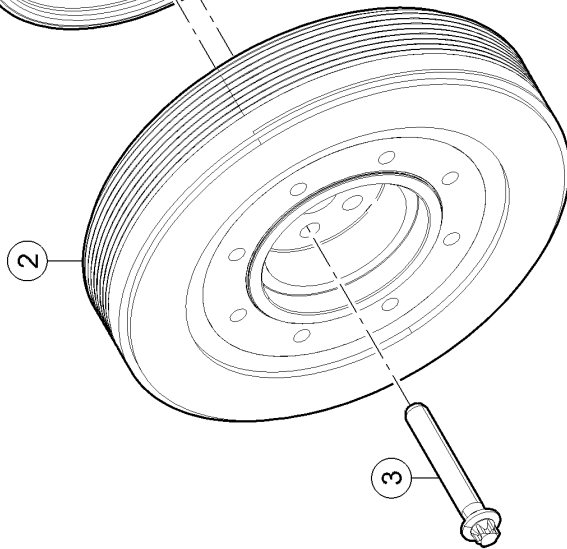
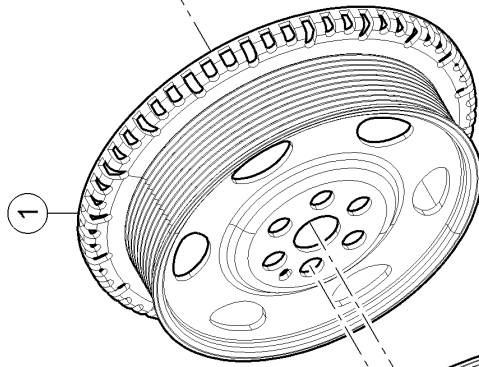
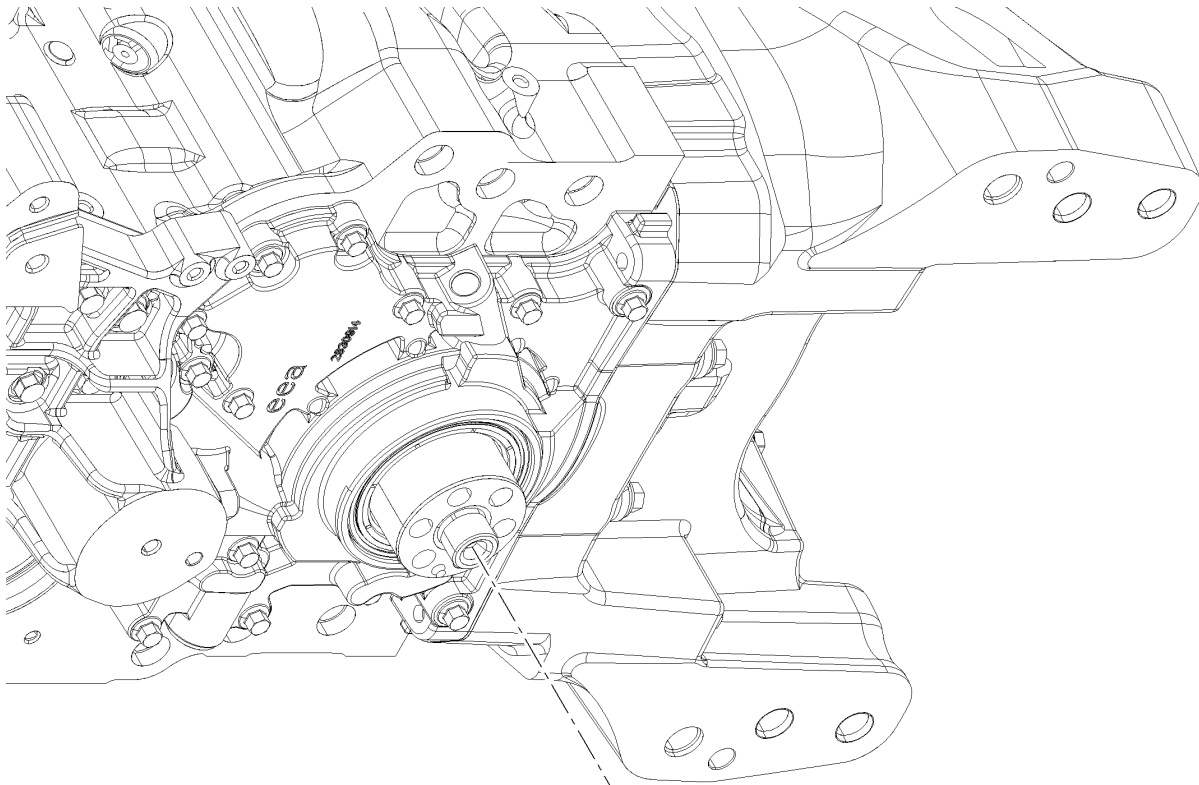
Pos.	Part No.	Description	Dimension	Quantity	Conditions
1	00 1149 550 0	ROD (ENGINE)		6	1)
1	00 1166 560 0	ROD (ENGINE)		6	2)
2	00 1149 551 0	RING		6	
3	00 1152 896 0	SET OF BEARING BUSHES		6	3)
3	00 1152 897 0	SET OF BEARING BUSHES		6	4)
3	00 1152 898 0	SET OF BEARING BUSHES		6	5)
4	60 0503 108 9	SCREW		12	

1)	machine no.	+ up to A6000052 "Up to # 1502775 :
2)	machine no.	+ from A6000053 "From # 1502776 :
3)	Remarks	STANDARD
4)	Remarks	-0,250
5)	Remarks	-0,500



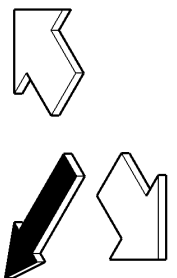
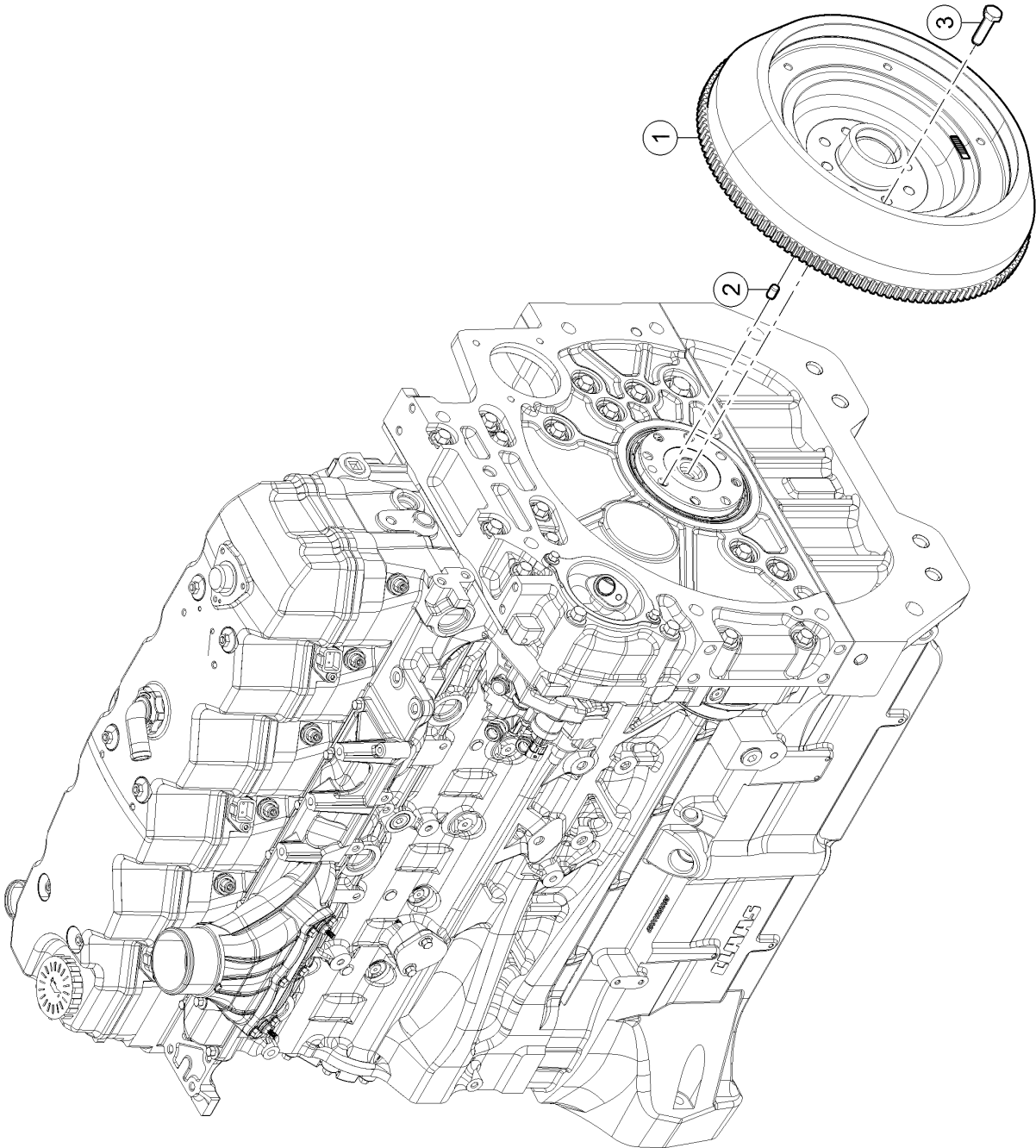
140 CRANKSHAFT

Pos.	Part No.	Description	Dimension	Quantity	Conditions
1	00 1149 561 0	CRANKSHAFT		1	
2	00 1164 242 0	SET OF BEARING BUSHES		6	1)
2	00 1150 898 0	SET OF BEARING BUSHES		6	2)
2	00 1167 011 0	SET OF BEARING BUSHES		6	3)
3	00 1167 010 0	SET OF BEARING BUSHES		1	1)
3	00 1167 012 0	SET OF BEARING BUSHES		1	2)
3	00 1167 013 0	SET OF BEARING BUSHES		1	3)
4	60 0503 110 4	CENTRING PIN		1	
5	00 1139 671 0	BUSHING		1	
1)	Remarks		STANDARD		
2)	Remarks		-0,250		
3)	Remarks		-0,500		



160 CRANKSHAFT PULLEY WHEEL

Pos.	Part No.	Description	Dimension	Quantity	Conditions
1	00 1166 991 0	PULLEY		1	
2	00 1149 567 0	HUB		1	
3	60 0503 104 3	SCREW		6	

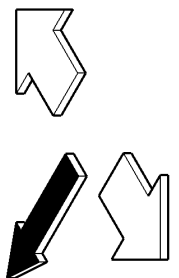
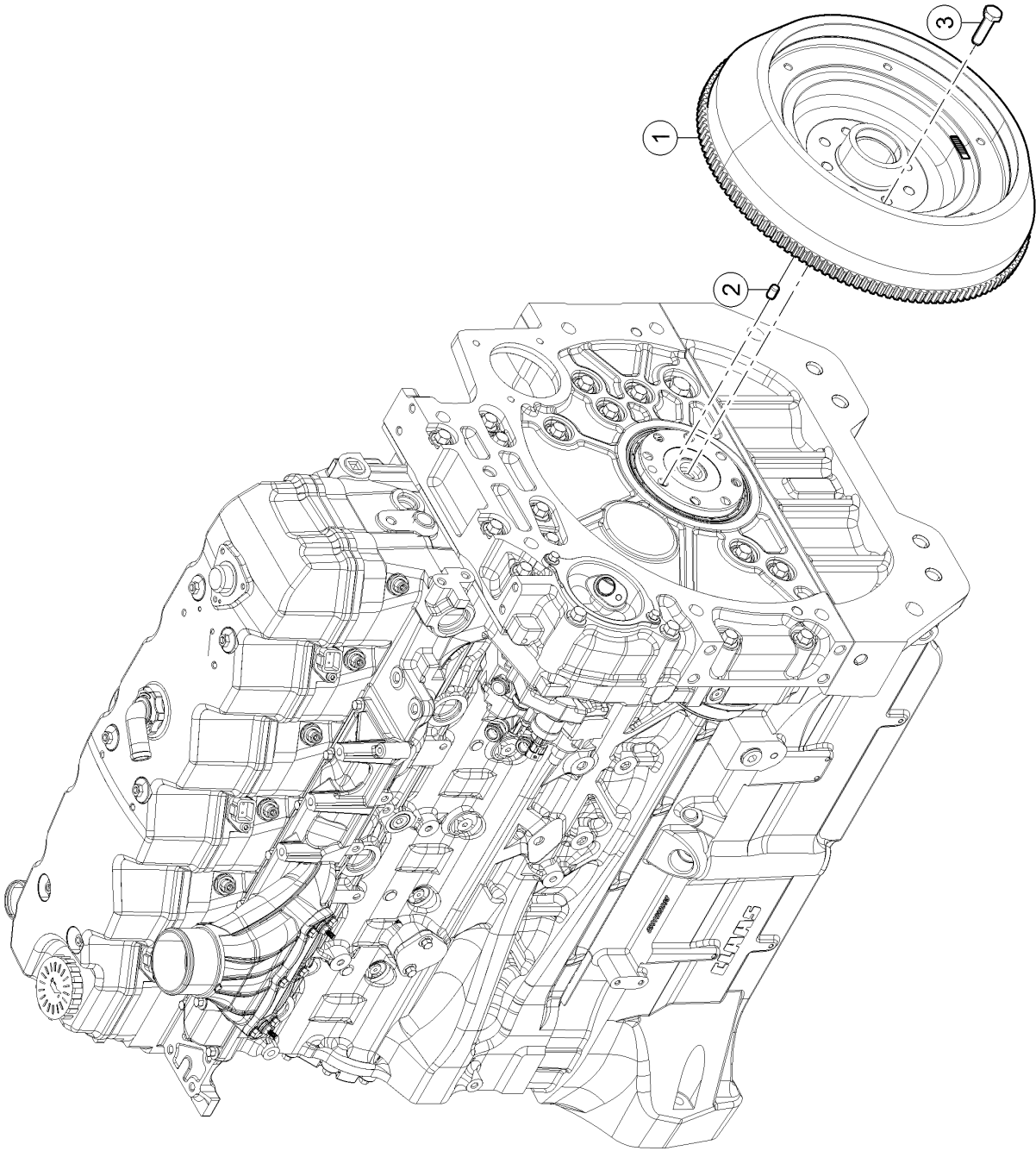


220 FLYWHEEL 1)

Pos.	Part No.	Description	Dimension	Quantity	Conditions
1	00 1149 568 0	FLYWHEEL		1	
2	60 0503 111 0	CENTRING PIN		1	
3	00 1149 569 0	SCREW		8	

1) Equipment

TJ_P02_0601	215 hp max. output, 205 hp type-approved rated output, ECE R 120
TJ_P02_0602	235 hp max. output, 229 hp type-approved rated output, ECE R 120
TJ_P02_0603	250 hp max. output, 240 hp type-approved rated output, ECE R 120
TJ_P02_0604	264 hp max. output, 253 hp type-approved rated output, ECE R 120
TJ_P02_0605	205 hp max. output, 193 hp type-approved rated output, ECE R 120

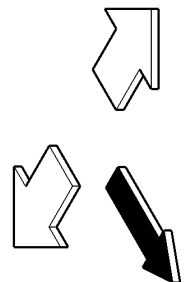
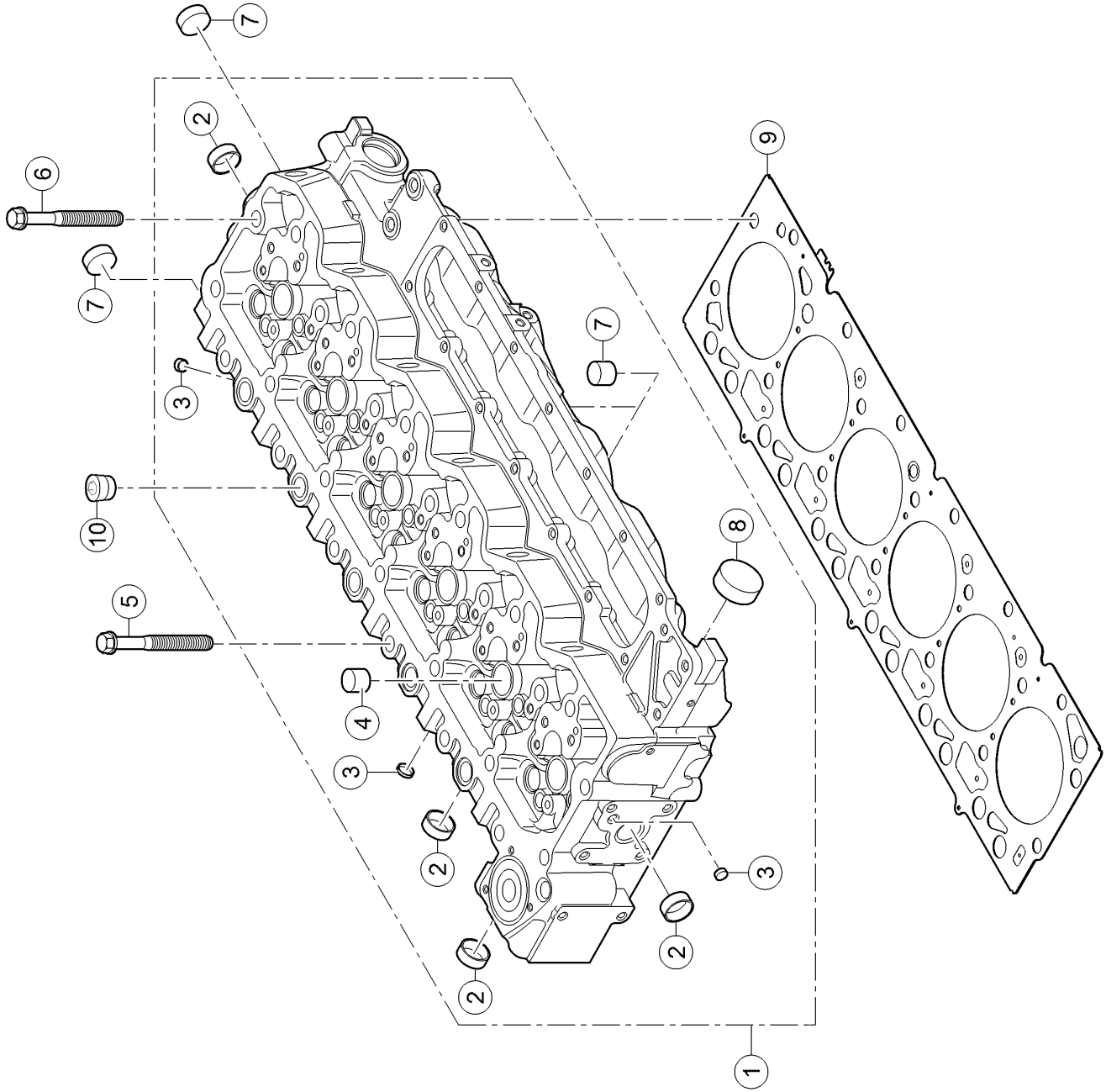


220 FLYWHEEL 1)

Pos.	Part No.	Description	Dimension	Quantity	Conditions
1	00 1151 080 0	FLYWHEEL		1	
2	60 0503 111 0	CENTRING PIN		1	
3	00 1149 569 0	SCREW		8	

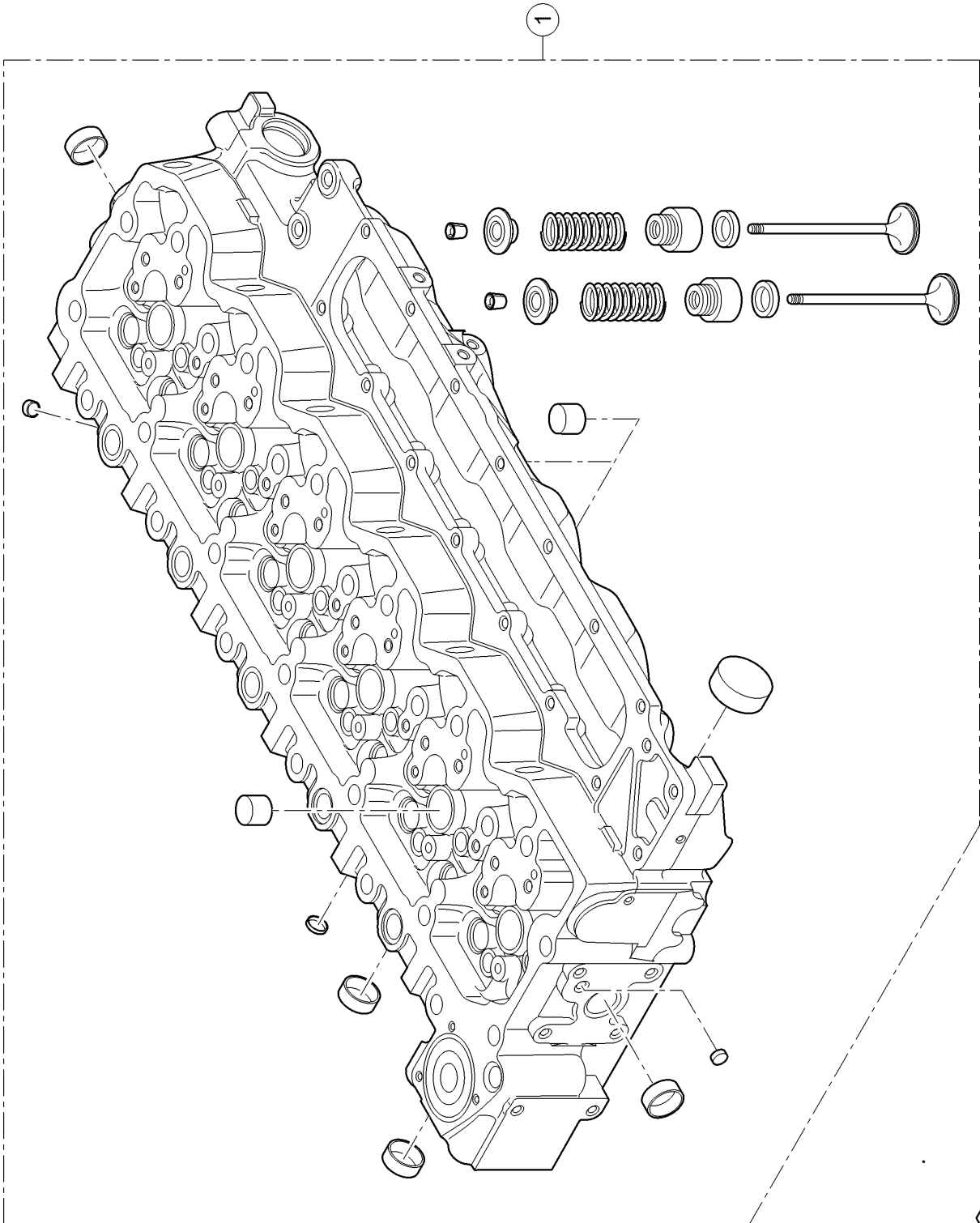
1) Equipment

TJ_P02_0607	215 hp max. output, 205 hp type-approved rated output, ECE R 120
TJ_P02_0608	235 hp max. output, 225 hp type-approved rated output, ECE R 120
TJ_P02_0609	264 hp max. output, 250 hp type-approved rated output, ECE R 120



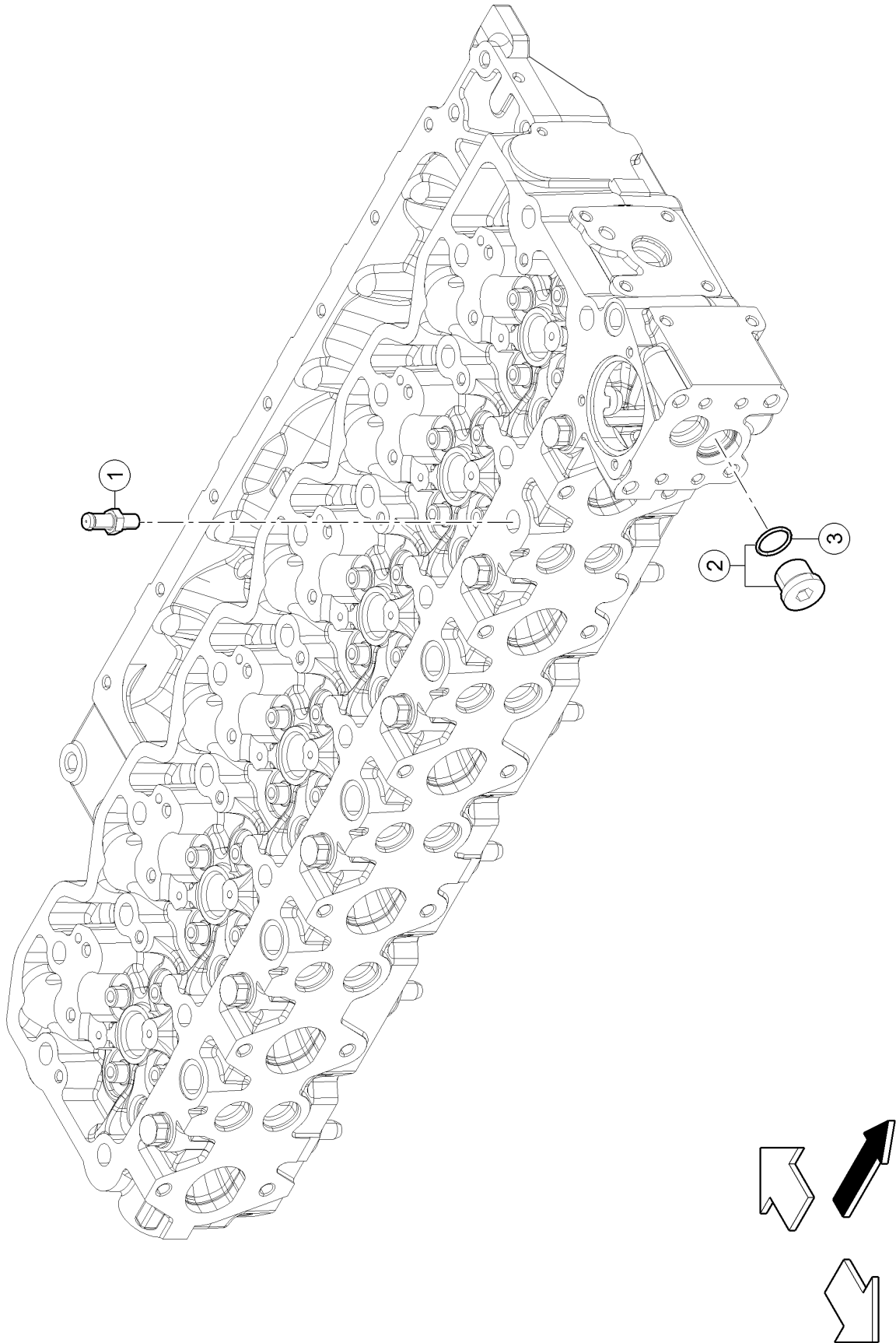
100 CYLINDER HEAD

Pos.	Part No.	Description	Dimension	Quantity	Conditions
1	00 1149 571 0	CYLINDER HEAD		1	
2	00 1139 905 0	PLUG		13	
3	00 1149 572 0	PLUG		7	
4	60 0503 099 1	PLUG		11	
5	00 1149 573 0	SCREW		12	
6	00 1149 574 0	SCREW		14	
7	00 1166 990 0	PLUG		3	
8	00 1149 576 0	PLUG		2	
9	00 1149 577 0	CYLINDER HEAD GASKET		1	1)
9	00 1160 918 0	CYLINDER HEAD GASKET		1	2)
10	60 0503 113 1	PLUG		4	
1)	Remarks		ép.1,25mm		
2)	Remarks		ép.1,15mm		



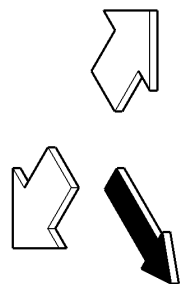
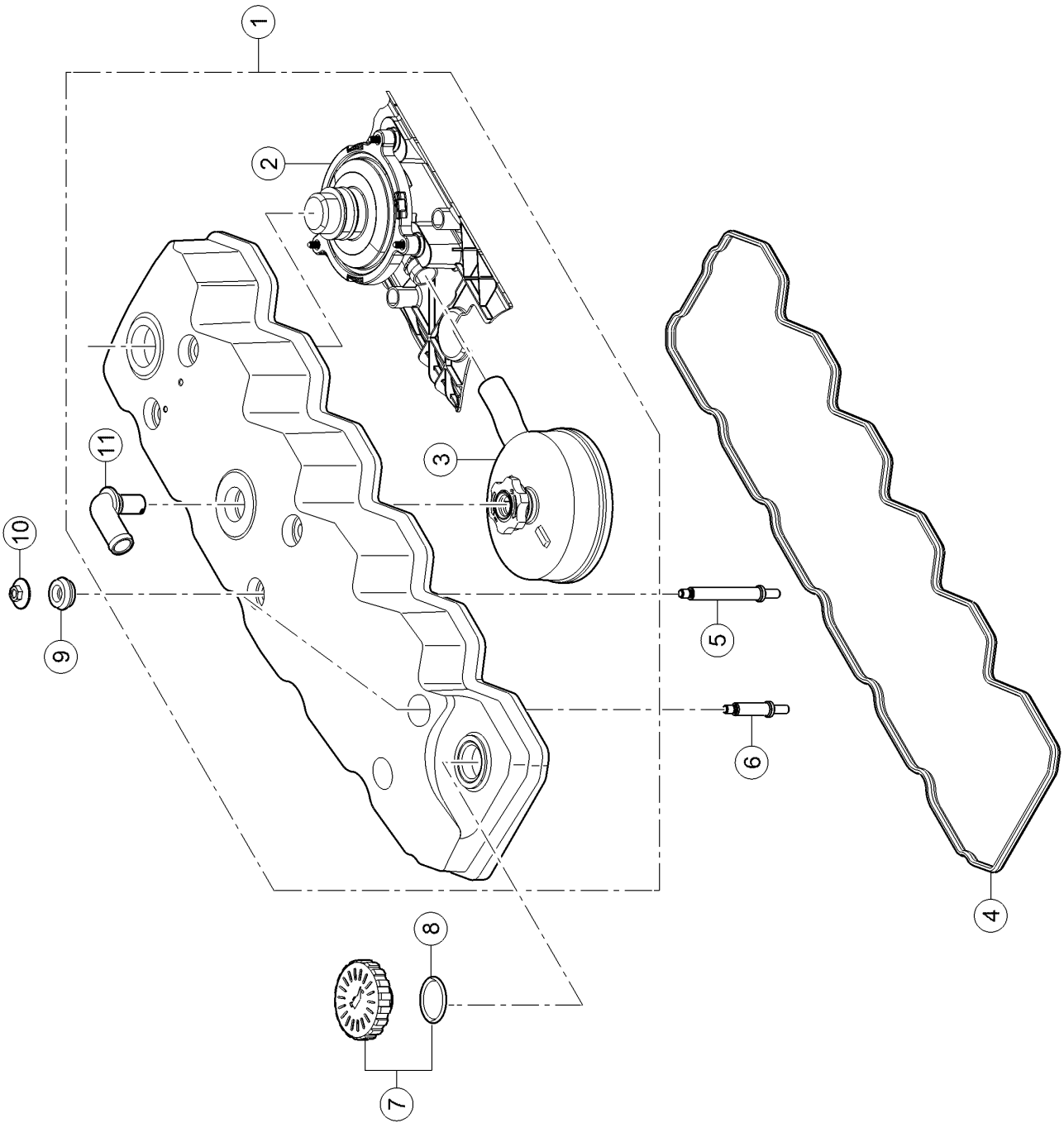
100 CYLINDER HEAD

Pos.	Part No.	Description	Dimension	Quantity	Conditions
1	00 1150 658 1	CYLINDER HEAD		1	



100 CYLINDER HEAD

Pos.	Part No.	Description	Dimension	Quantity	Conditions
1	00 1153 009 0	UNION CONNECTOR		1	
2	00 1153 011 0	PLUG		1	
3	00 1153 012 0	O-RING		1	

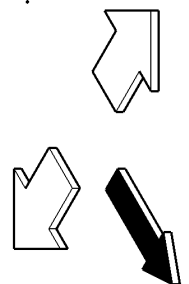
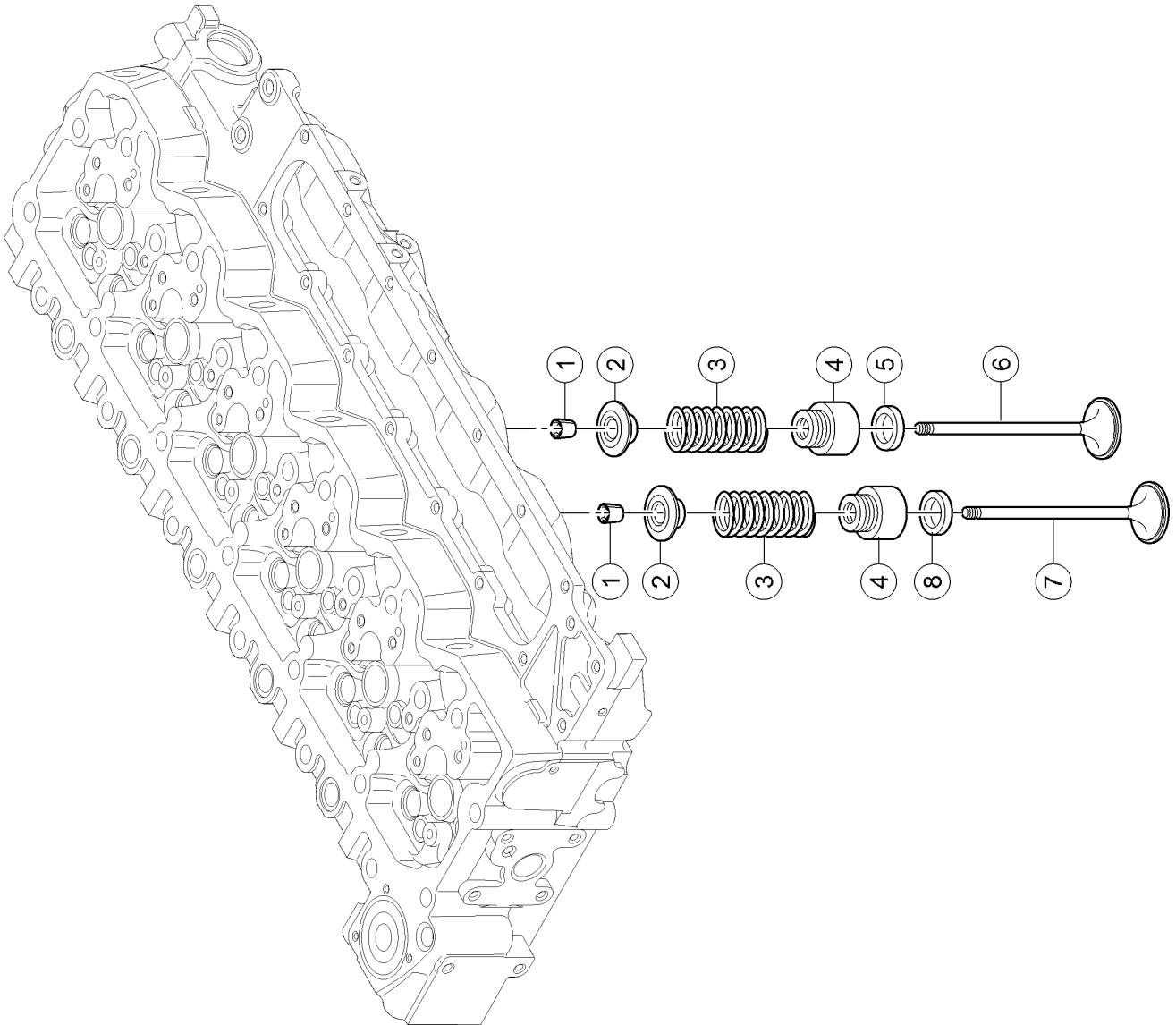


120 CYLINDER HEAD COVER

Pos.	Part No.	Description	Dimension	Quantity	Conditions
1	00 1164 148 0	ROCKER COVER		1	1)
1	00 1167 668 0	ROCKER COVER		1	2)
2	00 1164 149 0	HYDRAULIC VALVE		1	
3	00 1164 150 0	OIL VAPOUR FILTER		1	
4	00 1149 661 0	SEAL		1	1)
4	00 1167 659 0	VALVE COVER SEAL		1	2)
5	00 1149 662 0	STUD BOLT		4	
6	00 1149 663 0	STUD BOLT		2	
7	00 1149 664 0	PLUG		1	
8	00 1149 665 0	O-RING		1	
9	00 1149 666 0	SEALING RING		6	
10	00 1149 667 0	PLUG		6	
11	00 1149 668 0	TUBE		1	
12	00 1149 668 0	TUBE		1	

1) machine no. + up to A6000208
+ A6000211
+ A6000212
+ A6000213
+ A6000214
+ A6000215
+ A6000216
+ A6000217
+ A6000218
+ A6000219

2) machine no. + from A6000209
- A6000211
- A6000212
- A6000213
- A6000214
- A6000215
- A6000216
- A6000217
- A6000218
- A6000219



140 VALVES

Pos.	Part No.	Description	Dimension	Quantity	Conditions
1	00 1149 679 0	HALF-CONE		48	
2	00 1149 680 0	WASHER		24	
3	00 1149 681 0	SPRING		24	
4	00 1149 683 0	GUIDE		24	
5	00 1149 684 0	VALVE SEAT		12	1)
6	00 1149 685 0	VALVE		12	1)
7	00 1149 686 0	VALVE		12	2)
8	00 1149 687 0	VALVE SEAT		12	2)
1)	Remarks		INTAKE		
2)	Remarks		EXHAUST		



Suggest:

For more complete manuals. Please go to the home page.

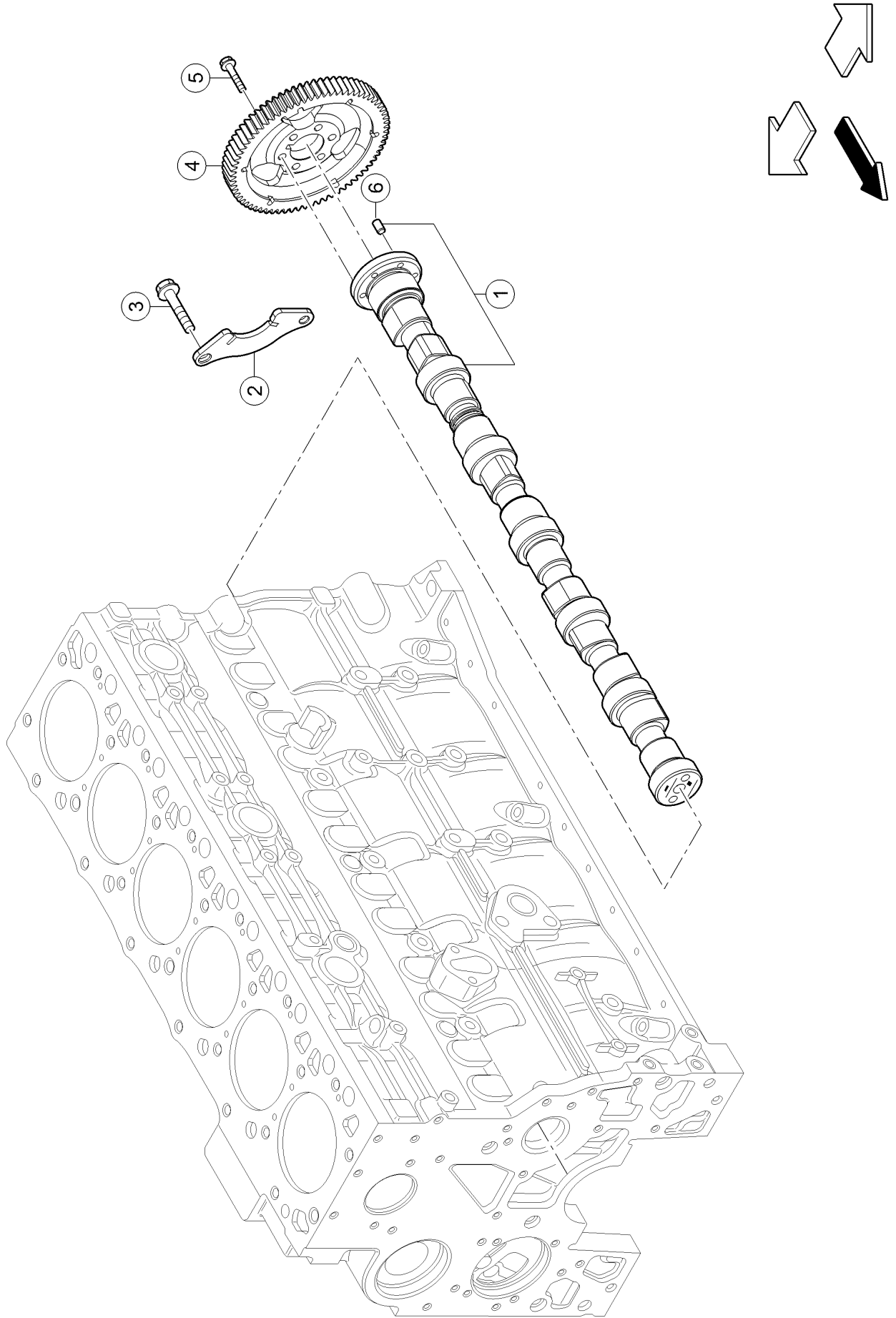
<https://www.ebooklibonline.com>

If the above button click is invalid. Please download this document first, and then click the above link to download the complete manual.

Thank you so much for reading

160 ROCKER ARM

Pos.	Part No.	Description	Dimension	Quantity	Conditions
1	00 1149 695 0	ROCKER ARM		6	
2	00 1149 696 0	CASING		1	
3	00 1149 697 0	BEARING BUSH		12	
4	00 1149 698 0	BASE		12	
5	00 1149 699 1	TIPPER		12	
6	00 1149 789 0	SCREW		12	
7	00 1149 700 0	ROCKER ARM		6	
8	00 1149 701 0	SCREW		12	
9	00 1149 702 0	SCREW		12	
10	00 1149 703 0	ROCKER ARM		6	
11	00 1149 704 0	SUPPORT		6	
12	00 1149 705 0	ROD		12	
13	00 1149 427 0	PUSHROD		12	
14	00 1149 706 0	SEALING RING		1	
15	00 1140 675 0	SCREW		2	
16	00 1149 707 0	SCREW	M08X70	5	
17	00 1149 708 0	BRACE		5	
18	00 1149 709 0	STEEL CLIP		6	



180 CAMSHAFT, CAMSHAFT BEARING BUSHES

Pos.	Part No.	Description	Dimension	Quantity	Conditions
1	00 1149 747 0	CAMSHAFT		1	
2	60 0503 118 6	SUPPORT		1	
3	00 1149 749 0	SCREW		2	
4	00 1149 750 0	WHEEL		1	1)
4	00 1169 341 0	PINION		1	2)
5	00 1140 981 0	SCREW		6	
6	00 1166 992 0	CENTRING PIN		1	

1)	machine no.	+ up to A6000404
2)	machine no.	+ from A6000405

<https://www.ebooklibonline.com>

Hello dear friend!

Thank you very much for reading.

Enter the link into your browser.

The full manual is available for immediate download.

<https://www.ebooklibonline.com>