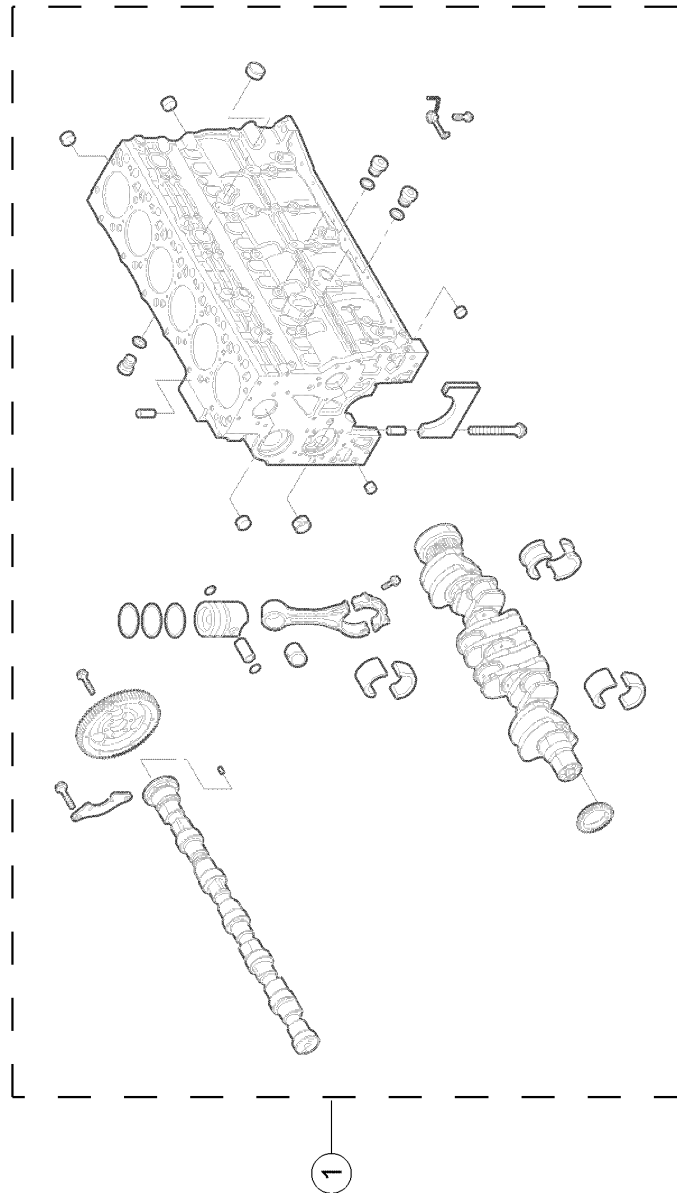


010 COMPLETE ENGINE

Pos.	Part No.	Description	Dimension	Quantity	Conditions
1	00 1170 960 0	ENGINE		1	1)
2	00 1170 962 0	ENGINE		1	2)
3	00 1170 957 0	ENGINE		1	3)
4	00 1170 961 0	ENGINE		1	4)
5	00 2622 155 0	ENGINE	153 KW 6PS A50-810NA	1	5)
6	00 2622 156 0	ENGINE	168 KW 6PS A50-830NA	1	6)
7	00 2622 157 0	ENGINE	186 KW 6PS A50-850NA	1	7)
1)	Equipment	TJ_P02_0501			215 hp max. output, 208 hp type-approved rated output, ECE R 120
2)	Equipment	TJ_P02_0502			235 hp max. output, 228 hp type-approved rated output, ECE R 120
3)	Equipment	TJ_P02_0504			264 hp max. output, 253 hp type-approved rated output, ECE R 120
4)	Equipment	TJ_P02_0505			205 hp max. output, 193 hp type-approved rated output, ECE R 120
5)	Equipment	TJ_P02_0507			215 hp max. output, 208 hp type-approved rated output, ECE R 120
6)	Equipment	TJ_P02_0508			235 hp max. output, 229 hp type-approved rated output, ECE R 120
7)	Equipment	TJ_P02_0509			264 hp max. output, 253 hp type-approved rated output, ECE R 120



<https://www.ebooklibonline.com>

Hello dear friend!

Thank you very much for reading.

Enter the link into your browser.

The full manual is available for immediate download.

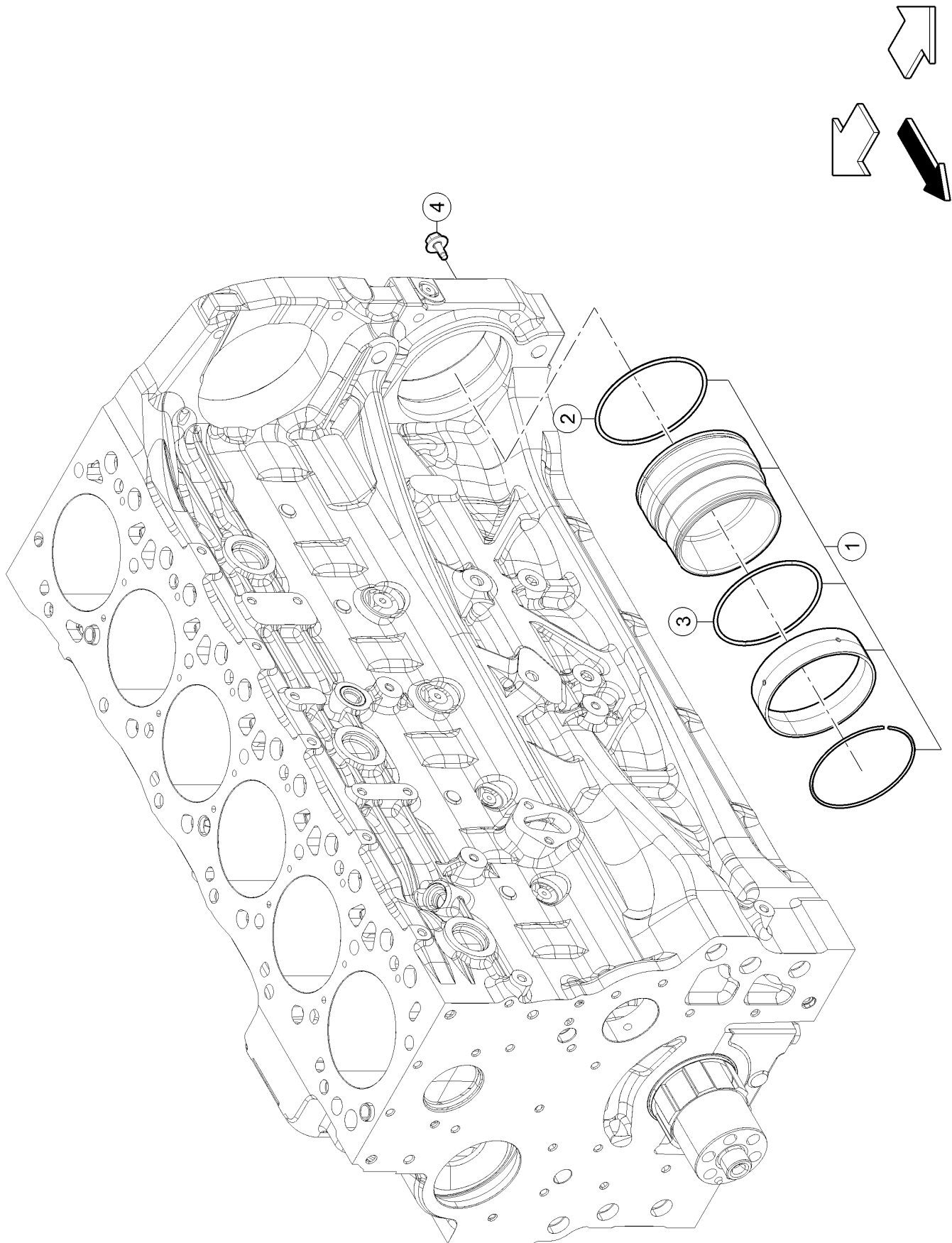
<https://www.ebooklibonline.com>

010 COMPLETE ENGINE

Pos.	Part No.	Description	Dimension	Quantity	Conditions
1	00 1170 964 0	SHORT BLOCK		1	

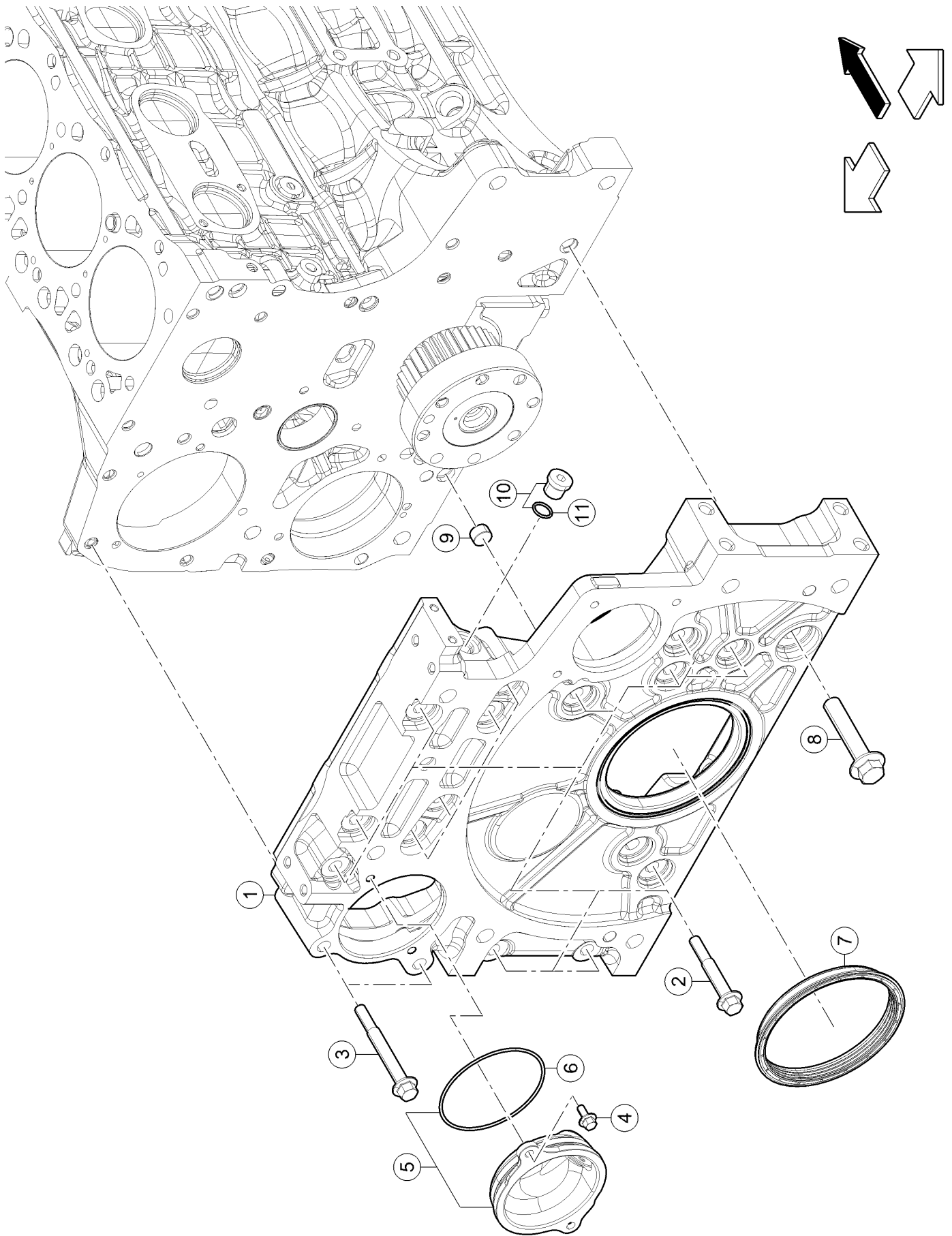
100 CRANKCASE

Pos.	Part No.	Description	Dimension	Quantity	Conditions
1	00 1167 297 0	NOZZLE		1	
2	60 0503 098 3	PLUG		3	
3	60 0503 098 4	O-RING		3	
4	60 0503 100 0	PLUG		2	
5	60 0503 100 1	O-RING		2	
6	60 0503 098 2	PLUG		3	
7	00 1164 565 0	NOZZLE		6	
8	00 1149 427 0	PUSHROD		12	
9	60 0503 098 6	CENTRING PIN		14	
10	60 0503 098 5	SCREW		14	
11	60 0503 098 1	BUSHING		1	
12	60 0503 099 3	PLUG		2	
13	60 0503 099 4	O-RING		2	
14	60 0503 099 0	PLUG		2	
15	60 0503 098 0	PLUG		6	
16	60 0503 098 7	CENTRING PIN		2	
17	60 0503 100 2	LOCK		1	
18	00 1140 021 0	SEALING RING		1	
19	00 1167 351 0	CRANKCASE		1	



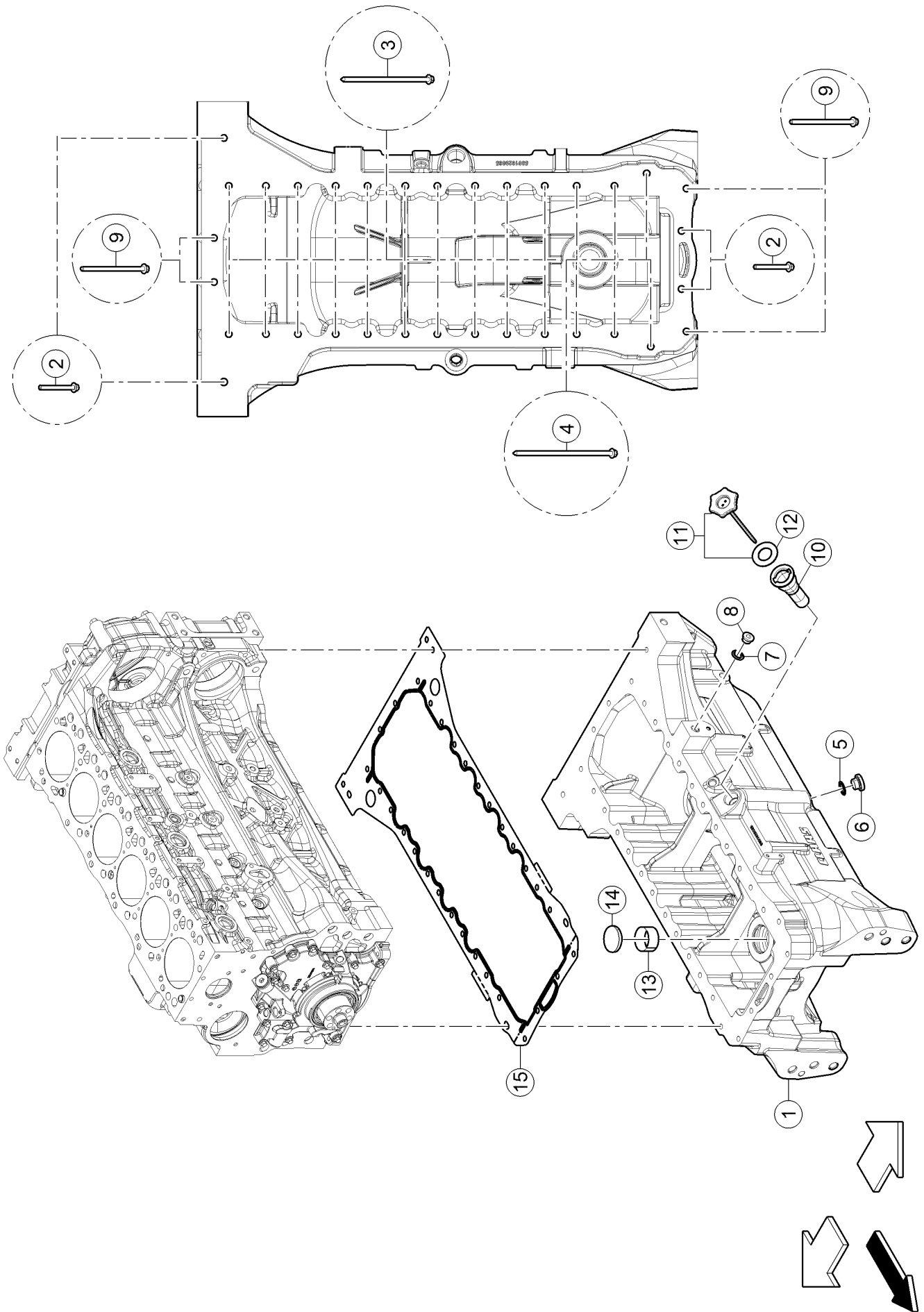
100 CRANKCASE

Pos.	Part No.	Description	Dimension	Quantity	Conditions
1	00 1153 600 0	SMOOTH RING		1	
2	60 0503 120 1	O-RING		1	
3	60 0503 120 2	O-RING		1	
4	00 1153 601 0	STD SCREW		1	



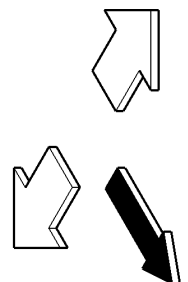
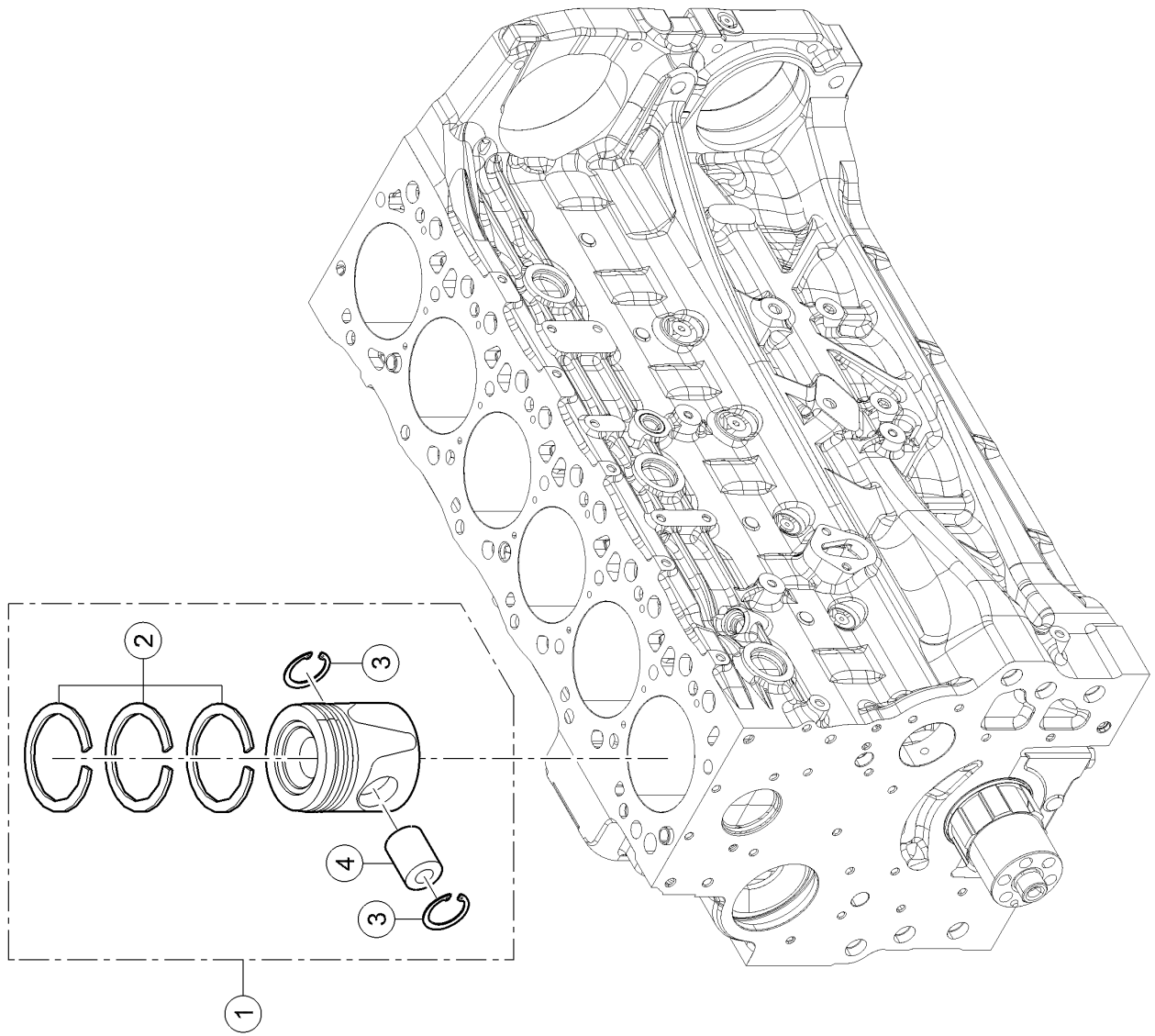
120 TIMING CASE

Pos.	Part No.	Description	Dimension	Quantity	Conditions
1	00 1166 989 0	CASING		1	
2	00 1139 458 0	SCREW		15	
3	00 1139 460 0	SCREW		2	
4	60 0503 112 2	SCREW		2	
5	00 1149 462 0	COVER		1	
6	00 1139 454 0	O-RING		1	
7	00 1147 783 0	SEALING RING		1	
8	00 1139 457 0	SCREW		1	
9	60 0503 100 8	CENTRING PIN		2	
10	60 0503 099 3	PLUG		1	
11	60 0503 099 4	O-RING		1	



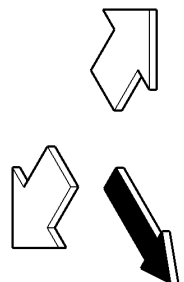
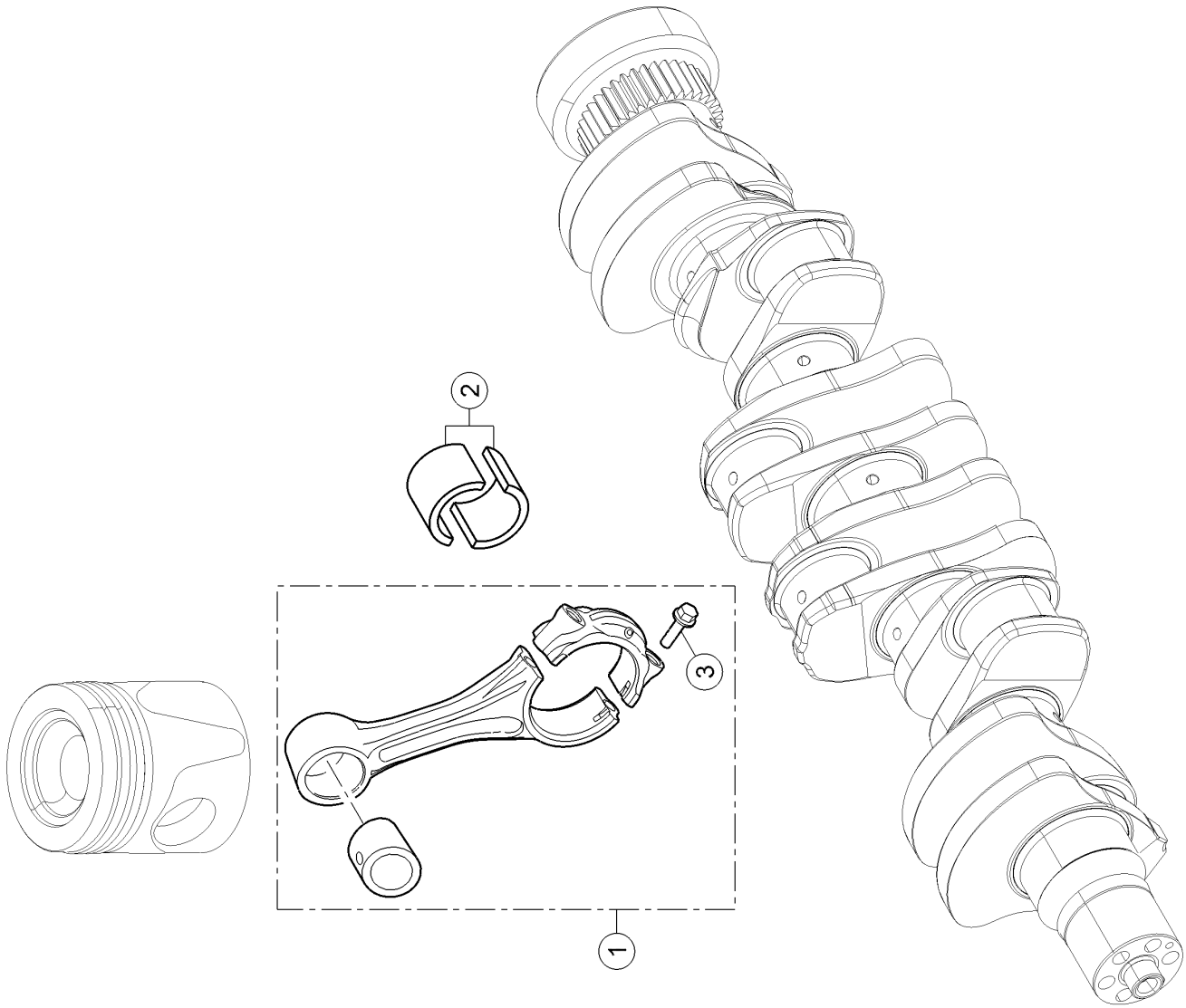
160 OIL PAN

Pos.	Part No.	Description	Dimension	Quantity	Conditions
1	00 1153 444 0	CASING		1	
2	00 1152 885 0	SCREW		4	
3	00 1153 445 0	STD SCREW		20	
4	00 1153 446 0	STD SCREW		6	
5	60 0503 101 1	O-RING		3	
6	60 0503 101 0	SCREW PLUG		3	
7	60 0503 132 7	GASKET		3	
8	60 0502 555 9	LOCK		1	
9	00 1149 499 0	SCREW		4	
10	00 1139 567 0	TUBE		1	
11	00 1170 971 0	GAUGE		1	
12	00 1166 998 0	SEAL		1	
13	60 0503 101 4	ENGINE OIL FILTER		1	
14	60 0503 101 5	LOCK		1	
15	00 1160 926 0	FLAT SEAL		1	



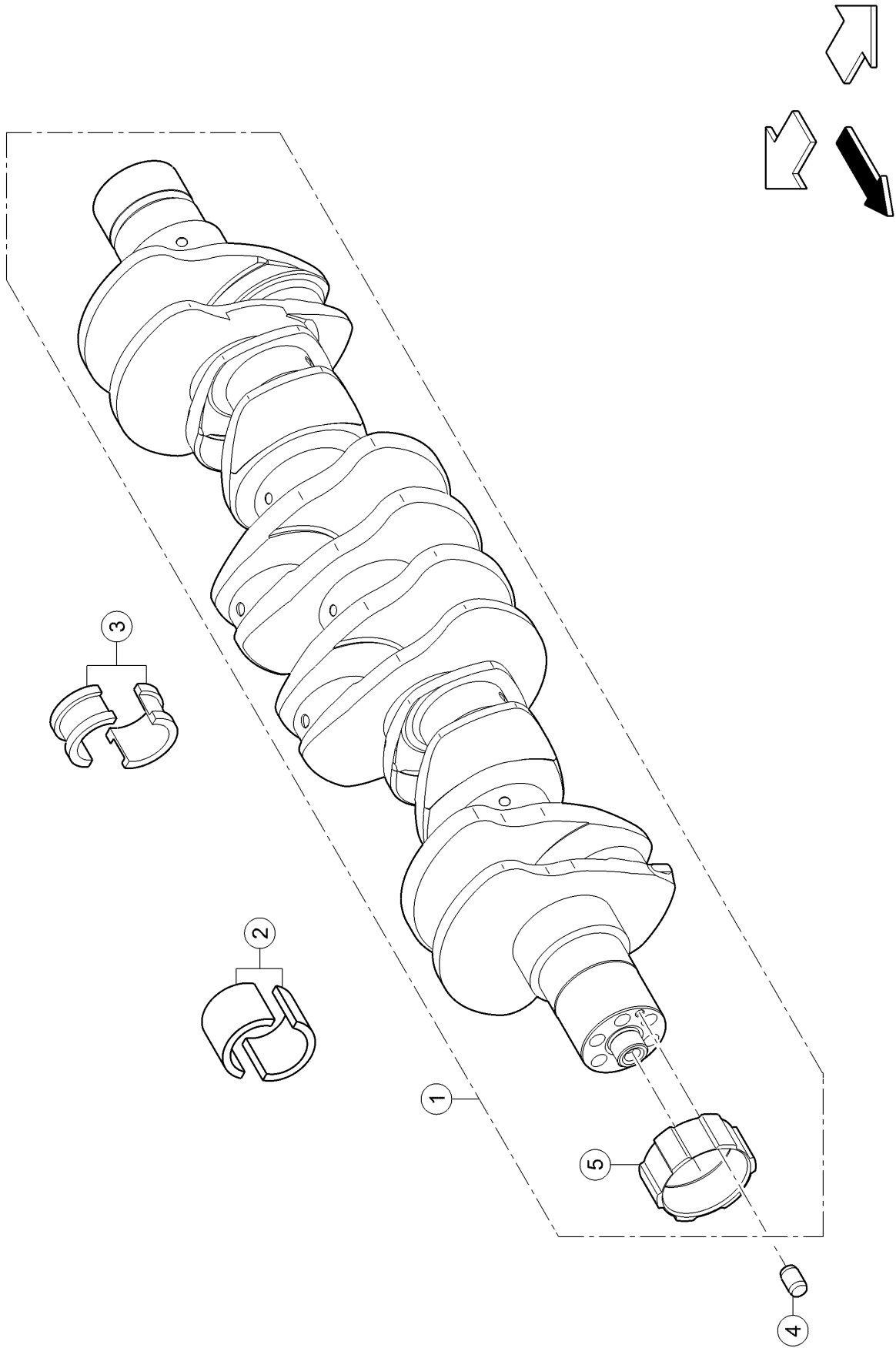
100 CYLINDER LINER, PISTON

Pos.	Part No.	Description	Dimension	Quantity	Conditions
1	00 1170 948 0	CYLINDER PISTON		6	
2	00 1170 945 0	ENGINE PISTON RING		6	
3	00 1167 317 0	INT RETAINING RING		12	
4	00 1149 533 0	AXLE		6	



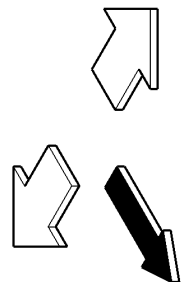
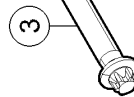
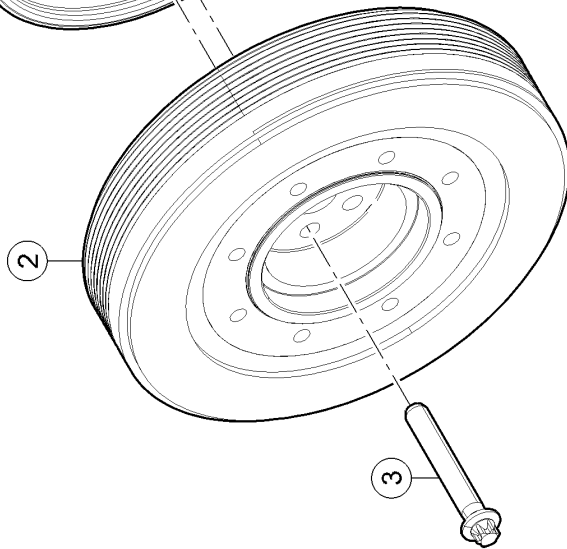
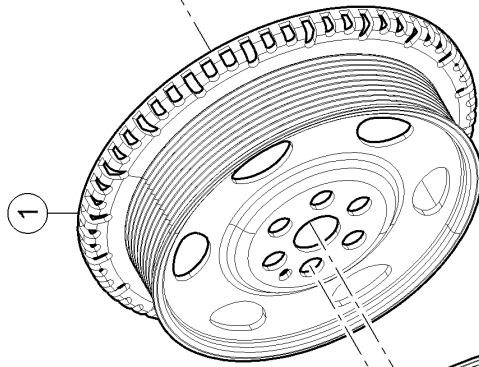
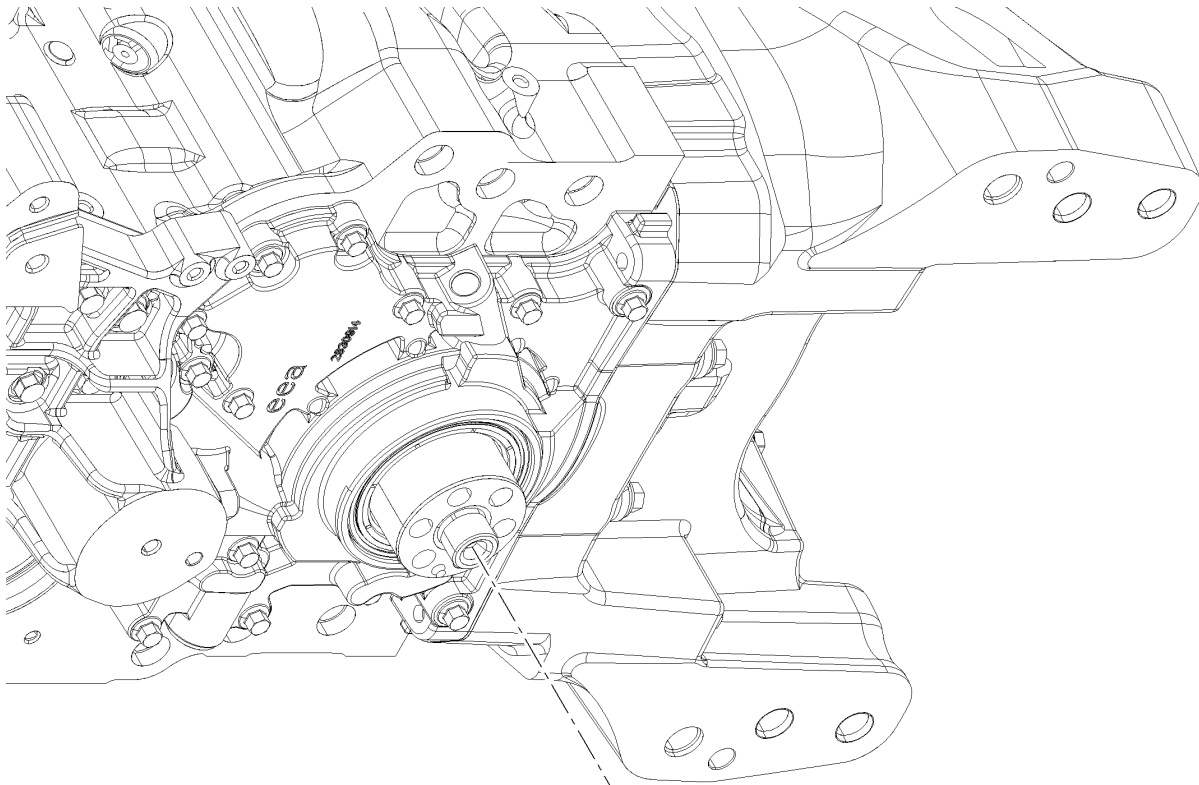
120 CONNECTING ROD, CONNECTING ROD BEARINGS

Pos.	Part No.	Description	Dimension	Quantity	Conditions
1	00 1166 560 0	ROD (ENGINE)		6	
2	00 1152 896 0	SET OF BEARING BUSHES		6	1)
2	00 1152 897 0	SET OF BEARING BUSHES		6	2)
2	00 1152 898 0	SET OF BEARING BUSHES		6	3)
3	60 0503 108 9	SCREW		12	
1)	Remarks		STANDARD		
2)	Remarks		-0,250		
3)	Remarks		-0,500		



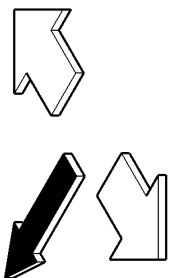
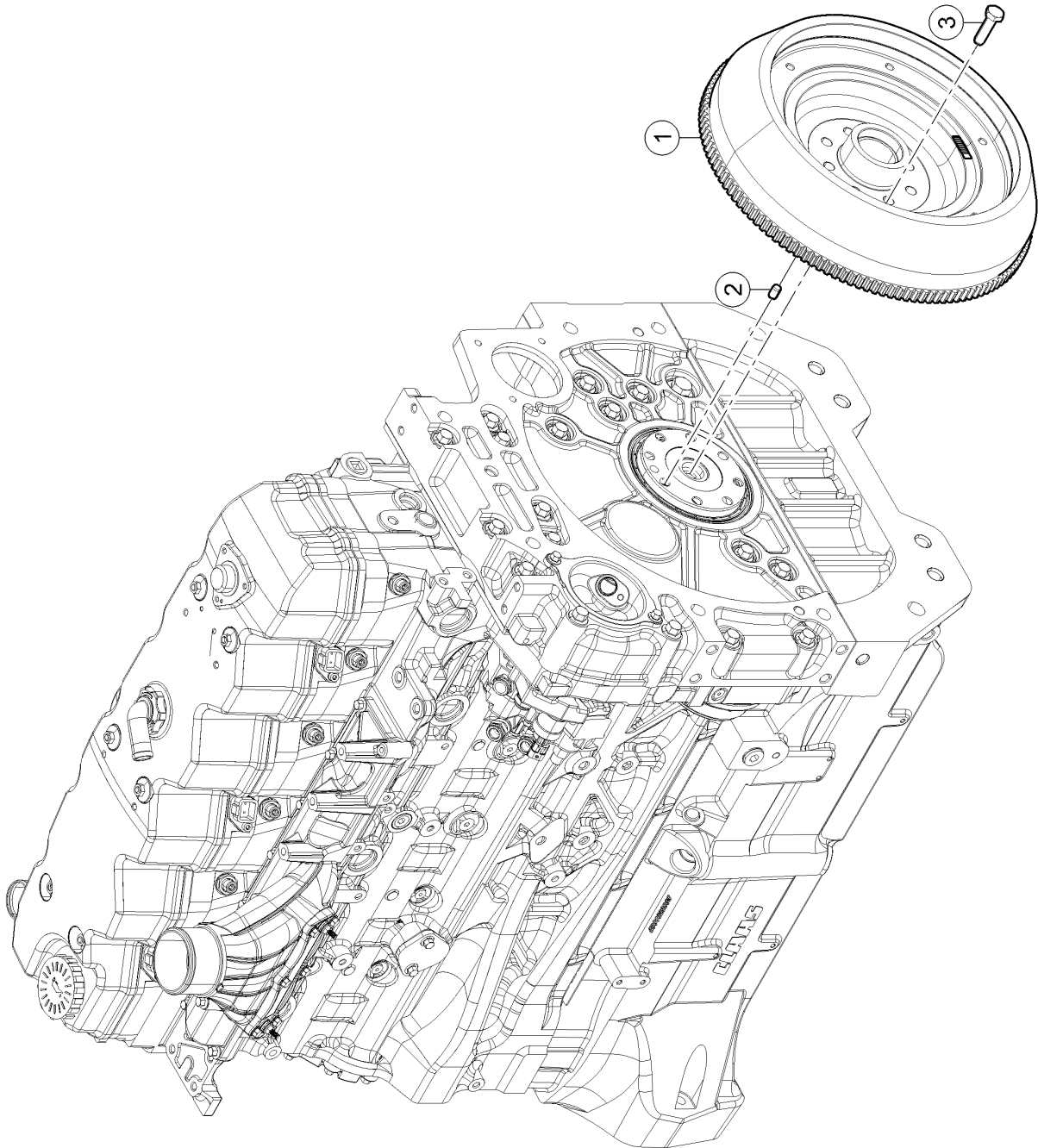
140 CRANKSHAFT

Pos.	Part No.	Description	Dimension	Quantity	Conditions
1	00 1149 561 0	CRANKSHAFT		1	
2	00 1164 242 0	SET OF BEARING BUSHES		6	1)
2	00 1167 316 0	SET OF BEARING BUSHES		6	2)
2	00 1167 011 0	SET OF BEARING BUSHES		6	3)
3	00 1167 010 0	SET OF BEARING BUSHES		1	1)
3	00 1167 012 0	SET OF BEARING BUSHES		1	2)
3	00 1167 013 0	SET OF BEARING BUSHES		1	3)
4	60 0503 110 4	CENTRING PIN		1	
5	00 1139 671 0	BUSHING		1	
1)	Remarks		STANDARD		
2)	Remarks		-0,250		
3)	Remarks		-0,500		



160 CRANKSHAFT PULLEY WHEEL

Pos.	Part No.	Description	Dimension	Quantity	Conditions
1	00 1166 991 0	PULLEY		1	
2	00 1149 567 0	HUB		1	
3	60 0503 104 3	SCREW		6	

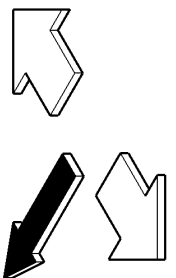
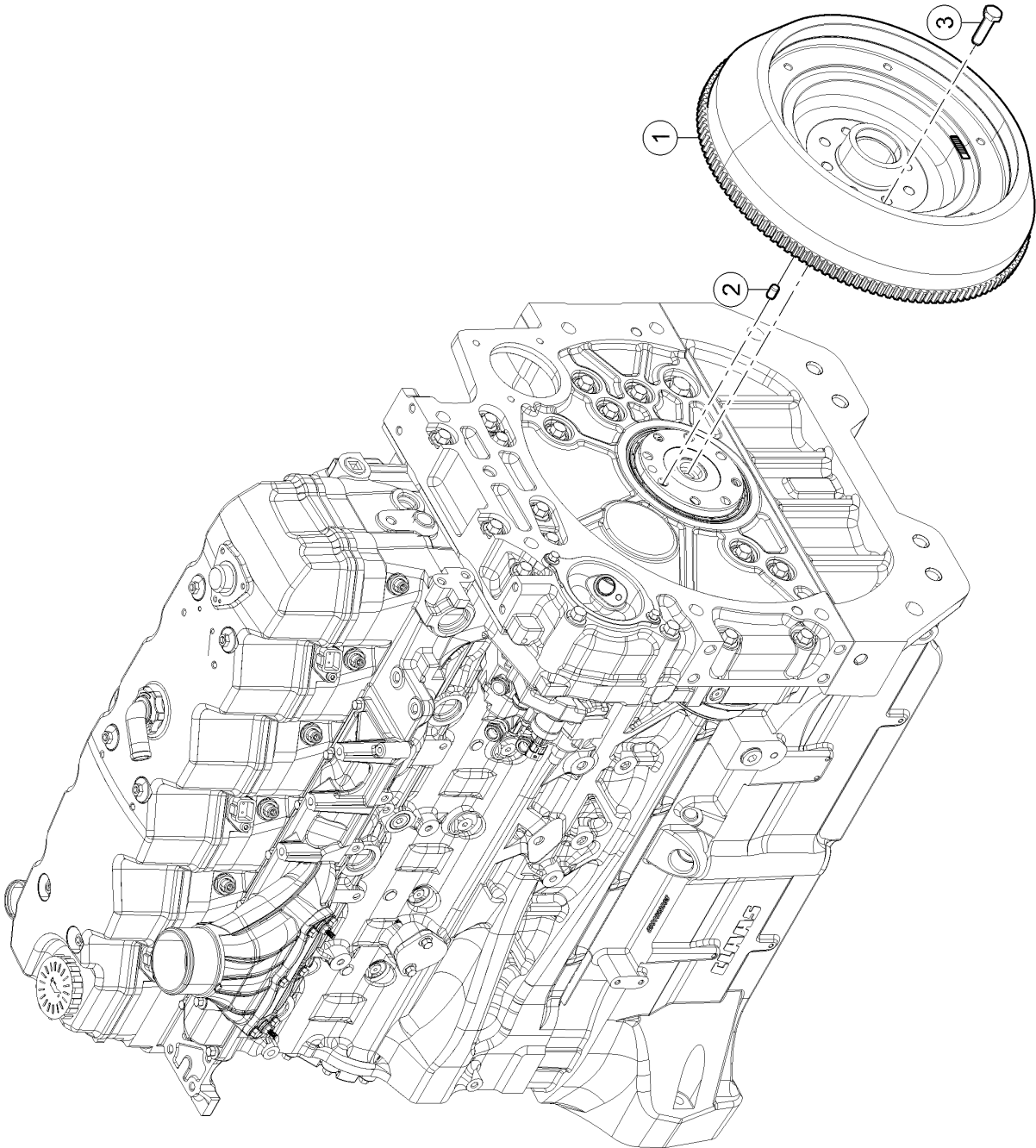


220 FLYWHEEL 1)

Pos.	Part No.	Description	Dimension	Quantity	Conditions
1	00 1149 568 0	FLYWHEEL		1	
2	60 0503 111 0	CENTRING PIN		1	
3	00 1149 569 0	SCREW		8	

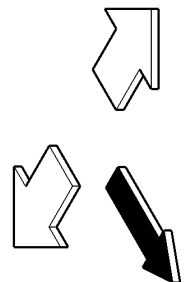
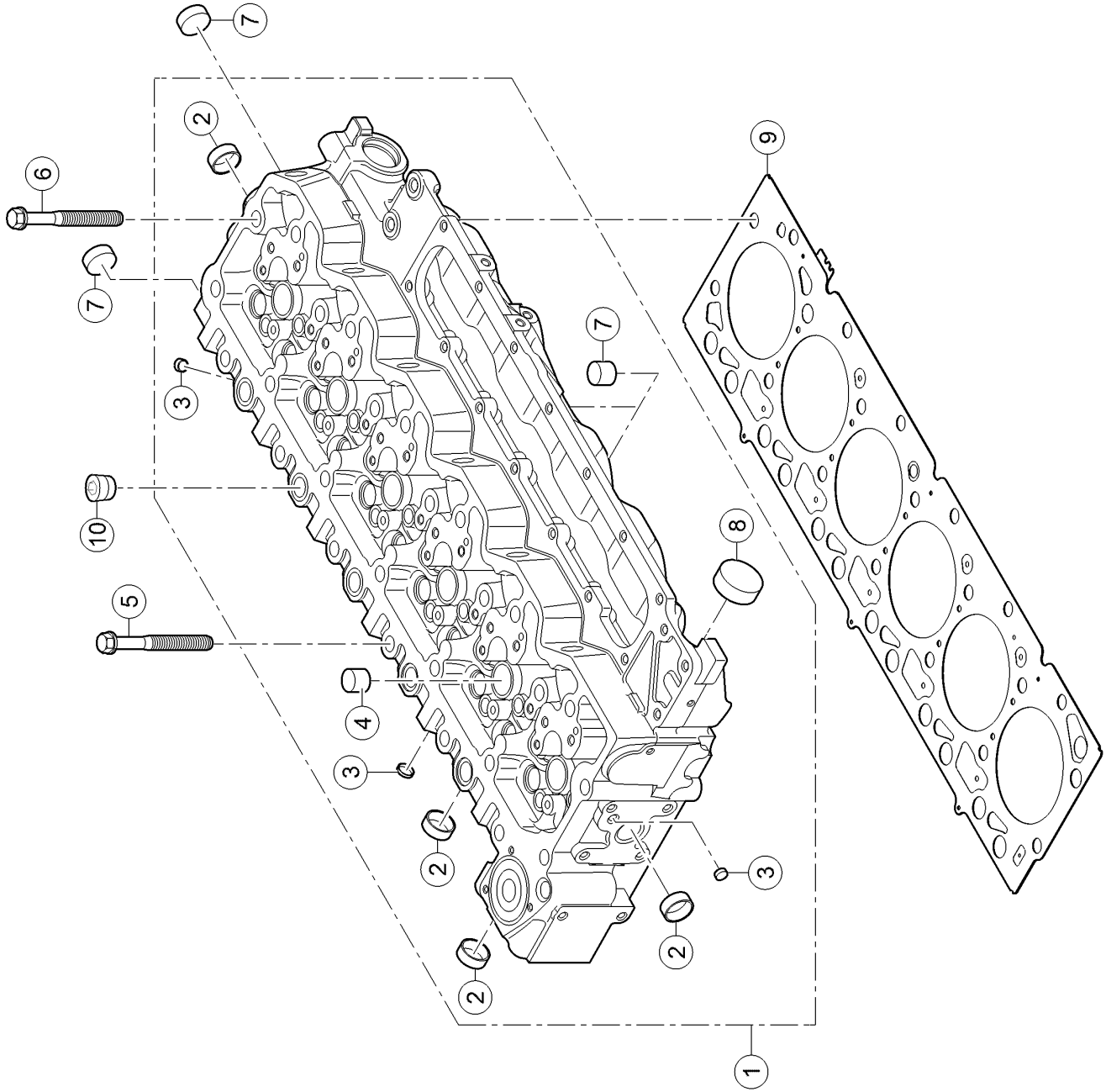
1) Equipment

TJ_P02_0501	215 hp max. output, 208 hp type-approved rated output, ECE R 120
TJ_P02_0502	235 hp max. output, 228 hp type-approved rated output, ECE R 120
TJ_P02_0504	264 hp max. output, 253 hp type-approved rated output, ECE R 120
TJ_P02_0505	205 hp max. output, 193 hp type-approved rated output, ECE R 120



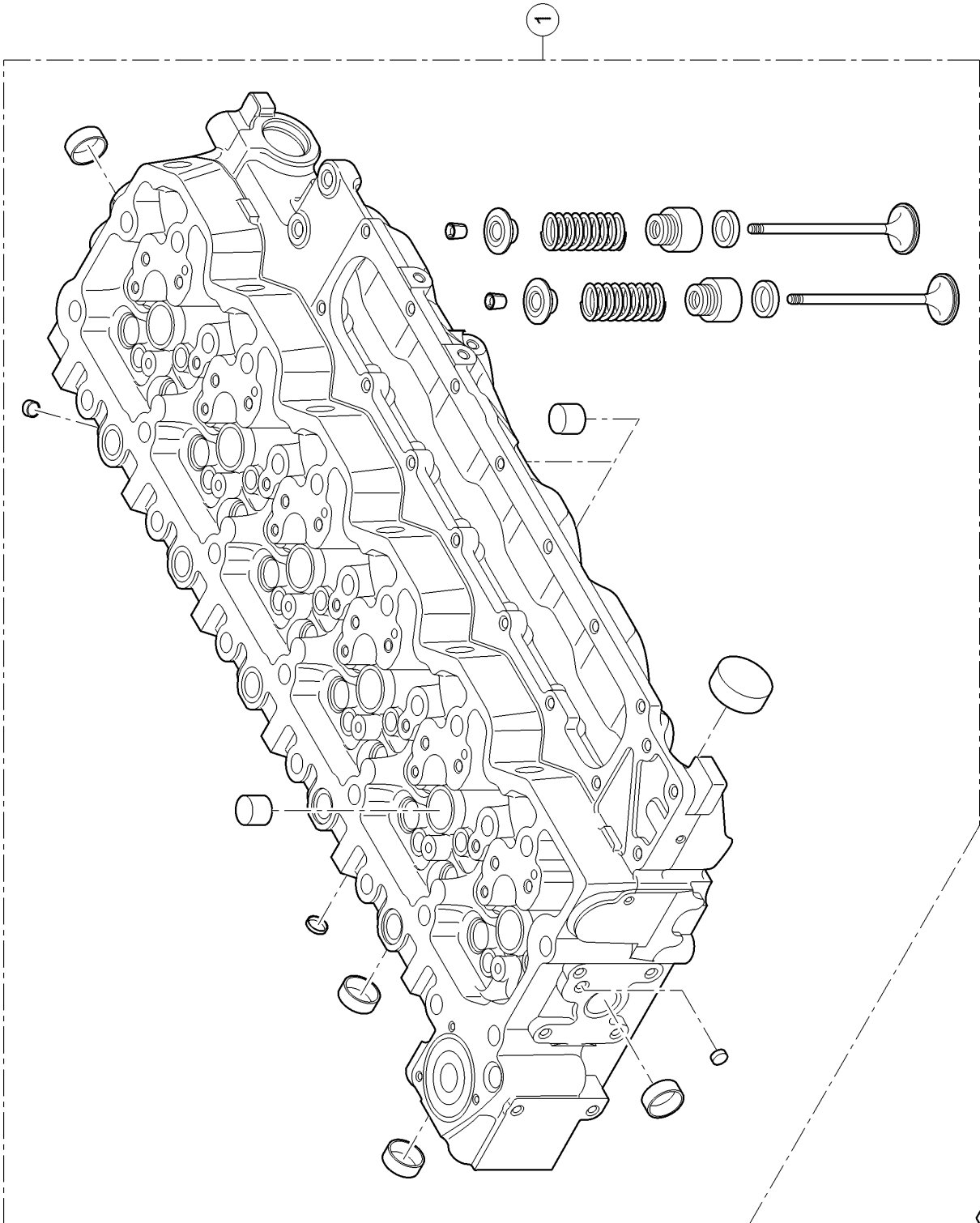
220 FLYWHEEL 1)

Pos.	Part No.	Description	Dimension	Quantity	Conditions
1	00 1151 080 0	FLYWHEEL		1	
2	60 0503 111 0	CENTRING PIN		1	
3	00 1149 569 0	SCREW		8	
1) Equipment					
		TJ_P02_0507			215 hp max. output, 208 hp type-approved rated output, ECE R 120
		TJ_P02_0508			235 hp max. output, 229 hp type-approved rated output, ECE R 120
		TJ_P02_0509			264 hp max. output, 253 hp type-approved rated output, ECE R 120



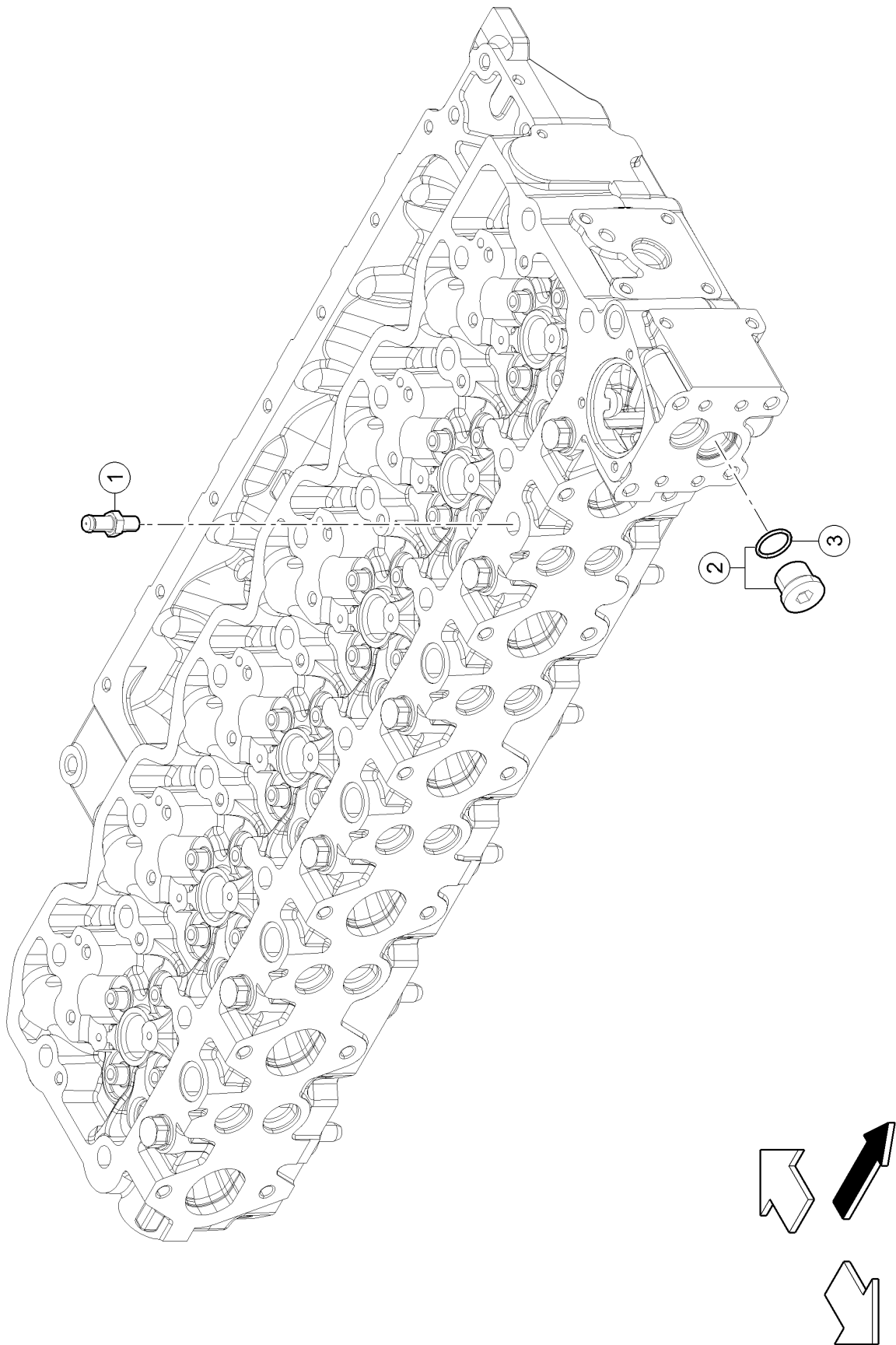
100 CYLINDER HEAD

Pos.	Part No.	Description	Dimension	Quantity	Conditions
1	00 1149 571 0	CYLINDER HEAD		1	
2	00 1139 905 0	PLUG		13	
3	00 1149 572 0	PLUG		7	
4	60 0503 099 1	PLUG		11	
5	00 1149 573 0	SCREW		12	
6	00 1149 574 0	SCREW		14	
7	00 1166 990 0	PLUG		3	
8	00 1149 576 0	PLUG		2	
9	00 1149 577 0	CYLINDER HEAD GASKET		1	1)
9	00 1160 918 0	CYLINDER HEAD GASKET		1	2)
10	60 0503 113 1	PLUG		4	
1)	Remarks		ép.1,25mm		
2)	Remarks		ép.1,15mm		



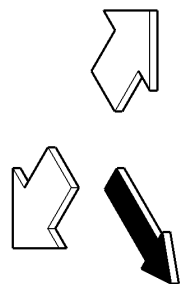
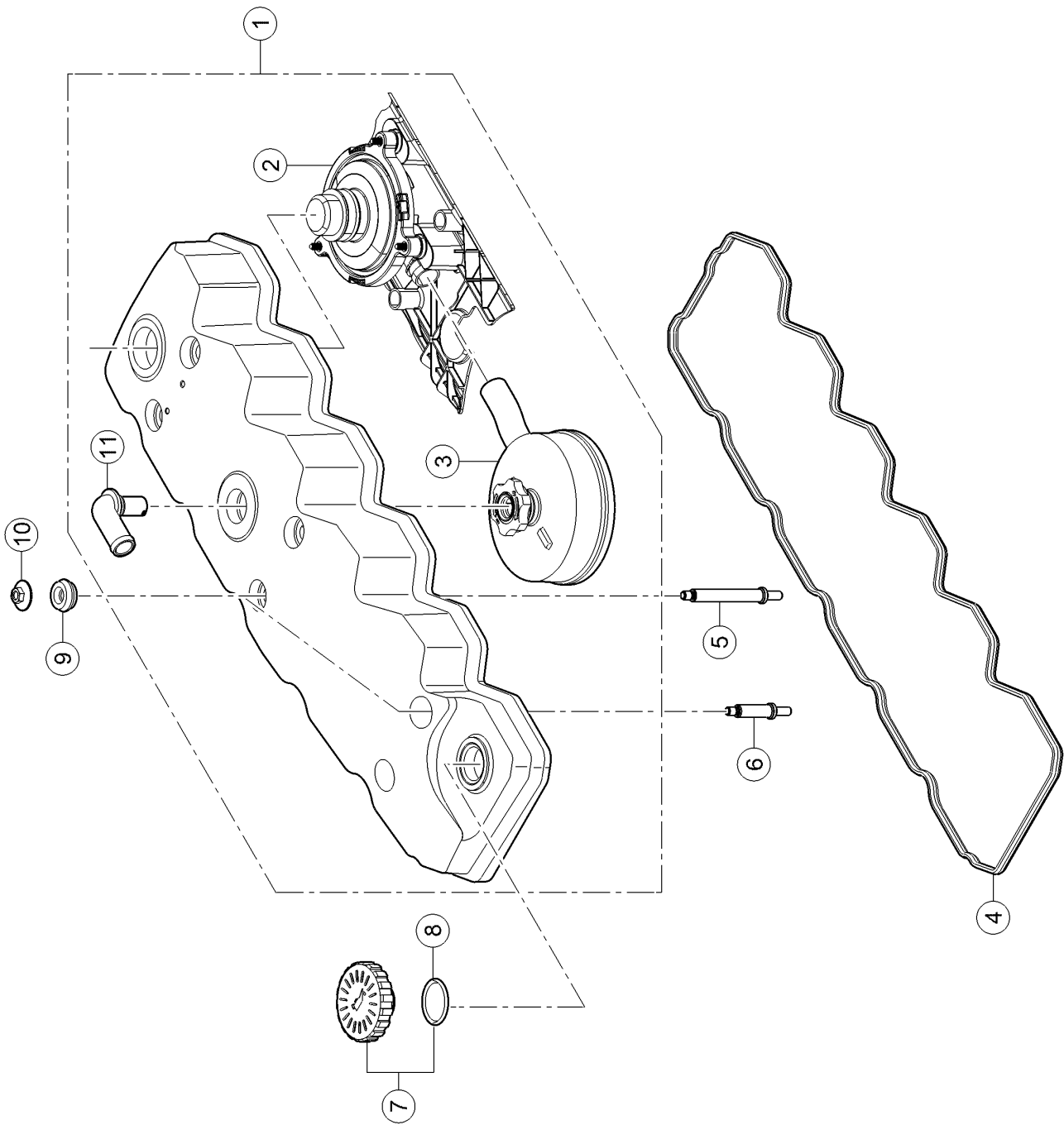
100 CYLINDER HEAD

Pos.	Part No.	Description	Dimension	Quantity	Conditions
1	00 1150 658 1	CYLINDER HEAD		1	



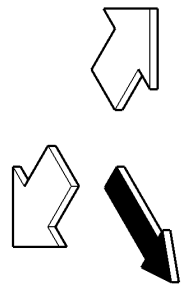
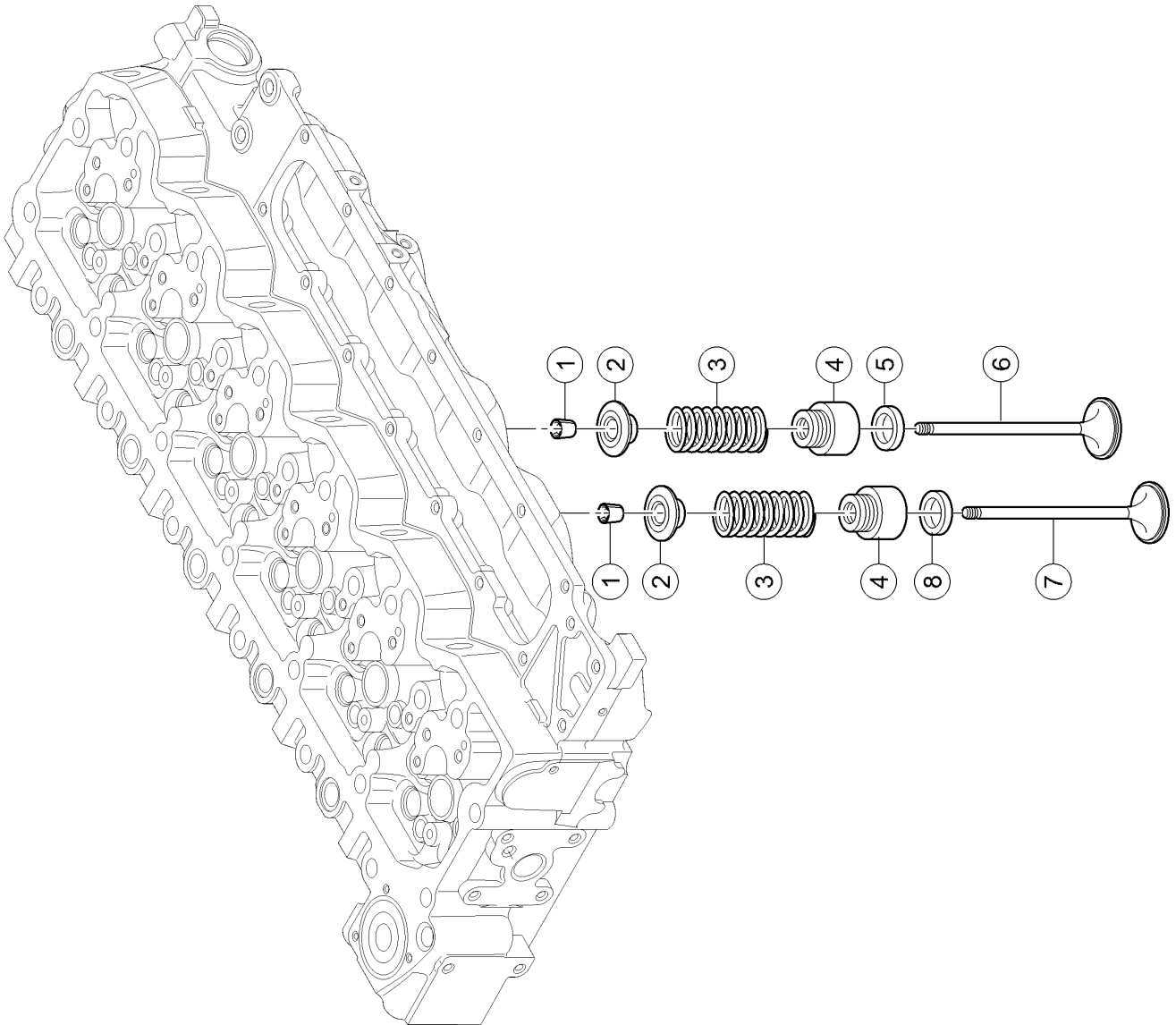
100 CYLINDER HEAD

Pos.	Part No.	Description	Dimension	Quantity	Conditions
1	00 1153 009 0	UNION CONNECTOR		1	
2	00 1153 011 0	PLUG		1	
3	00 1153 012 0	O-RING		1	



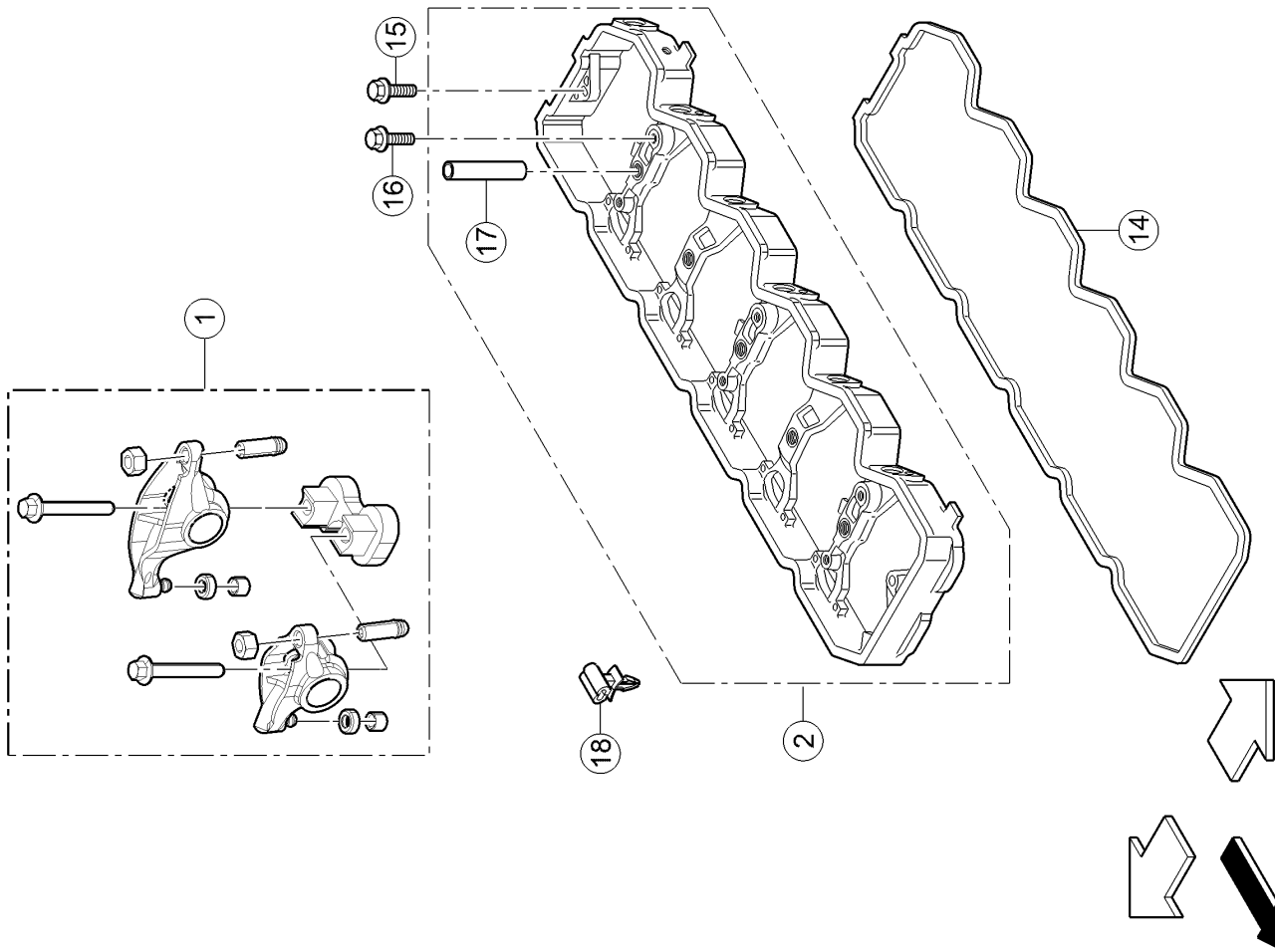
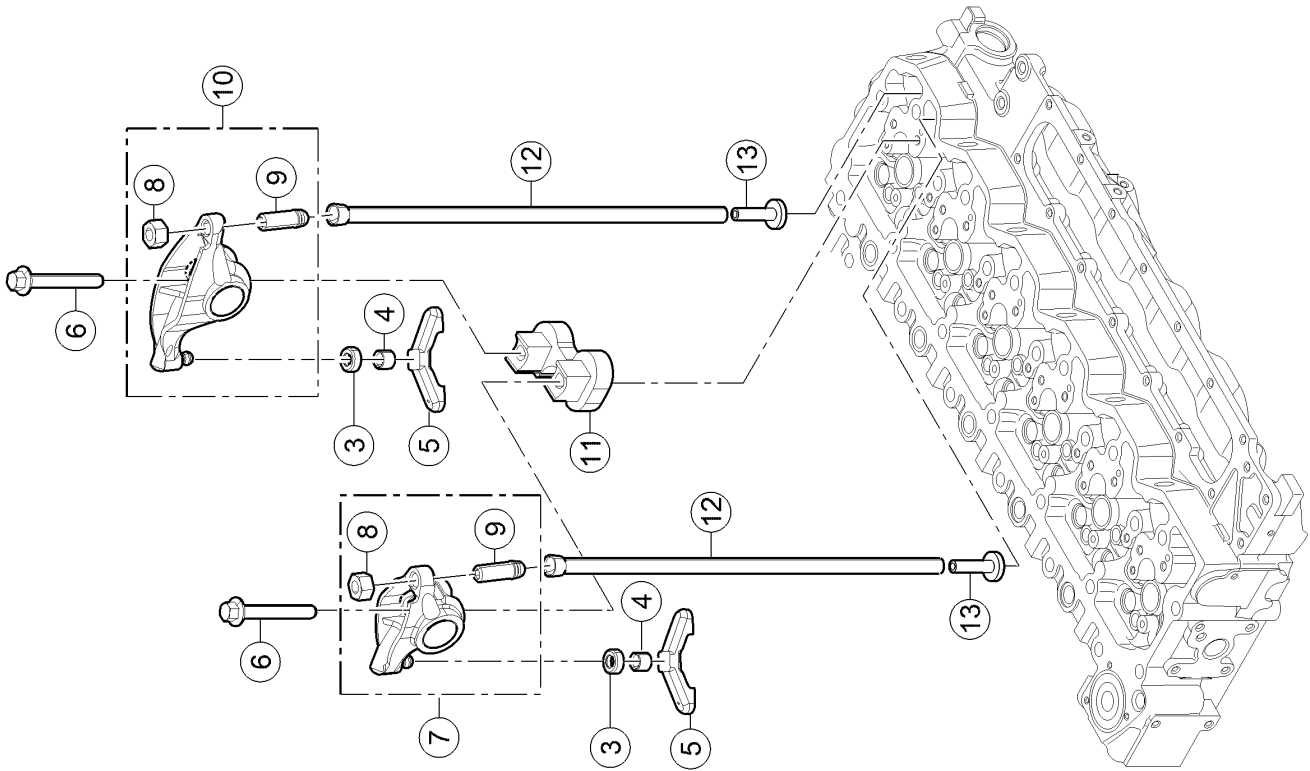
120 CYLINDER HEAD COVER

Pos.	Part No.	Description	Dimension	Quantity	Conditions
1	00 1167 668 0	ROCKER COVER		1	
2	00 1164 149 0	HYDRAULIC VALVE		1	
3	00 1164 150 0	OIL VAPOUR FILTER		1	
4	00 1167 659 0	VALVE COVER SEAL		1	
5	00 1149 662 0	STUD BOLT		4	
6	00 1149 663 0	STUD BOLT		2	
7	00 1149 664 0	PLUG		1	
8	00 1149 665 0	O-RING		1	
9	00 1149 666 0	SEALING RING		6	
10	00 1149 667 0	PLUG		6	
11	00 1149 668 0	TUBE		1	



140 VALVES

Pos.	Part No.	Description	Dimension	Quantity	Conditions
1	00 1149 679 0	HALF-CONE		48	
2	00 1149 680 0	WASHER		24	
3	00 1149 681 0	SPRING		24	
4	00 1149 683 0	GUIDE		24	
5	00 1149 684 0	VALVE SEAT		12	1)
6	00 1149 685 0	VALVE		12	1)
7	00 1149 686 0	VALVE		12	2)
8	00 1149 687 0	VALVE SEAT		12	2)
1)	Remarks		INTAKE		
2)	Remarks		EXHAUST		





Suggest:

For more complete manuals. Please go to the home page.

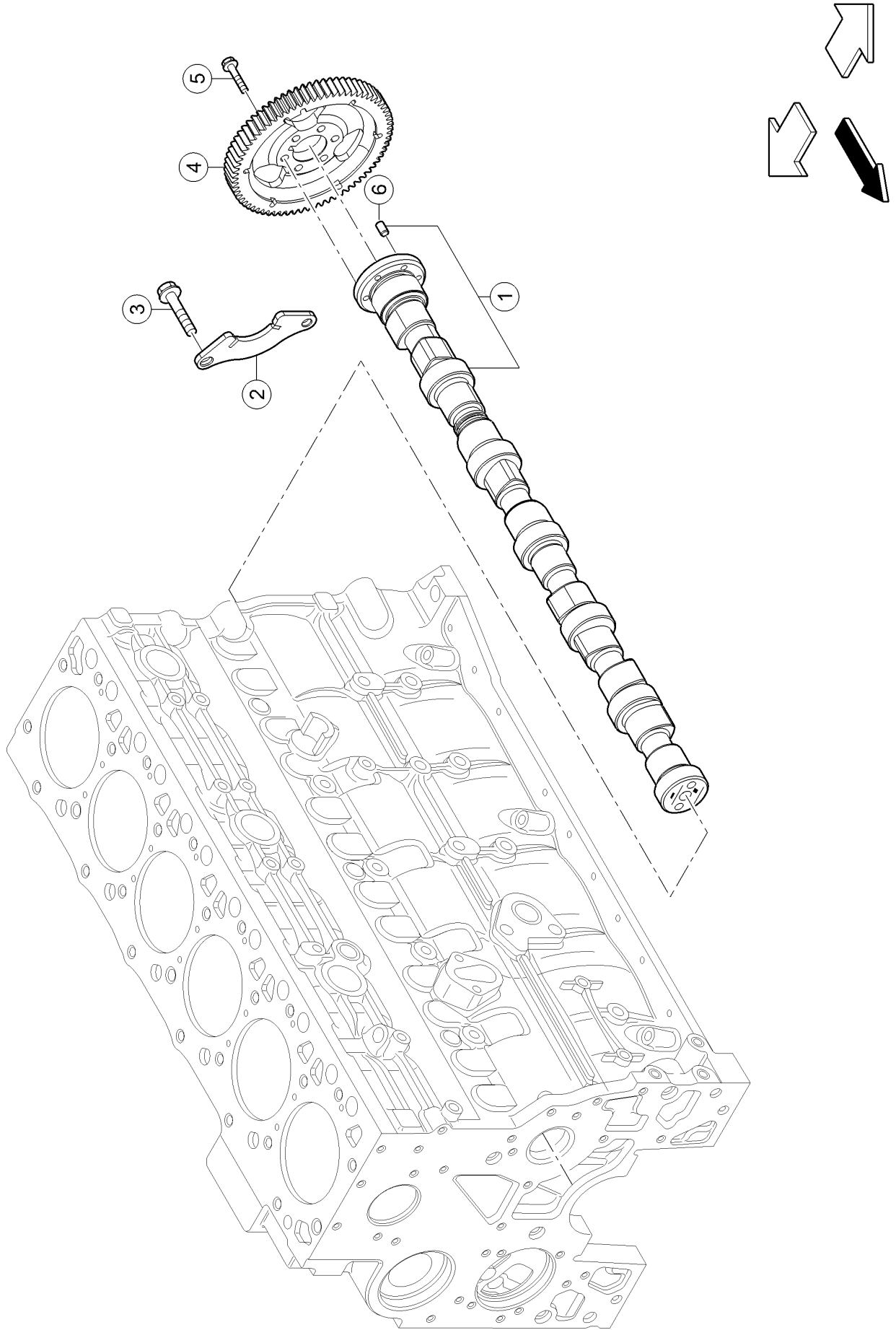
<https://www.ebooklibonline.com>

If the above button click is invalid. Please download this document first, and then click the above link to download the complete manual.

Thank you so much for reading

160 ROCKER ARM

Pos.	Part No.	Description	Dimension	Quantity	Conditions
1	00 1149 695 0	ROCKER ARM		6	
2	00 1149 696 0	CASING		1	
3	00 1149 697 0	BEARING BUSH		12	
4	00 1149 698 0	BASE		12	
5	00 1149 699 1	TIPPER		12	
6	00 1149 789 0	SCREW		12	
7	00 1149 700 0	ROCKER ARM		6	
8	00 1149 701 0	SCREW		12	
9	00 1149 702 0	SCREW		12	
10	00 1149 703 0	ROCKER ARM		6	
11	00 1149 704 0	SUPPORT		6	
12	00 1149 705 0	ROD		12	
13	00 1149 427 0	PUSHROD		12	
14	00 1149 706 0	SEALING RING		1	
15	00 1140 675 0	SCREW		2	
16	00 1149 707 0	SCREW	M08X70	5	
17	00 1149 708 0	BRACE		5	
18	00 1149 709 0	STEEL CLIP		6	



<https://www.ebooklibonline.com>

Hello dear friend!

Thank you very much for reading.

Enter the link into your browser.

The full manual is available for immediate download.

<https://www.ebooklibonline.com>