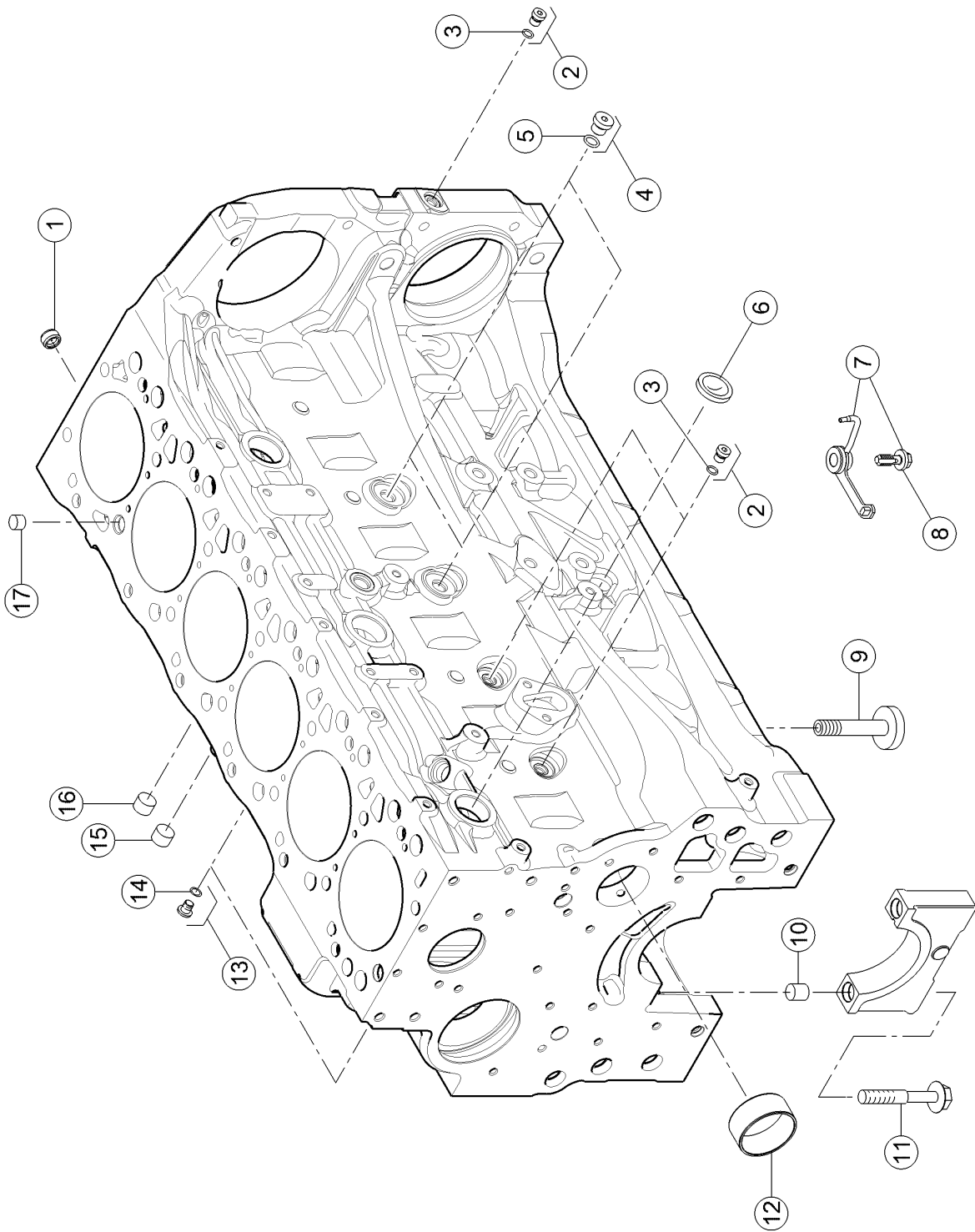


010 COMPLETE ENGINE

Pos.	Part No.	Description	Dimension	Quantity	Conditions
1	00 2232 851 0	ENGINE		1	1)
2	00 2232 853 0	ENGINE		1	2)
3	00 2232 855 0	ENGINE		1	3)
1)	Equipment	TJ_P02_0407	205 hp rated output, 215 hp max. output, ECE R 120		
2)	Equipment	TJ_P02_0408	225 hp rated output, 235 hp max. output, ECE R 120		
3)	Equipment	TJ_P02_0409	0409_ECER120 250 hp nom/264 mx		
		TJ_P02_0429	250 hp rated output, 264 hp max. output, ECE R 120		



<https://www.ebooklibonline.com>

Hello dear friend!

Thank you very much for reading.

Enter the link into your browser.

The full manual is available for immediate download.

<https://www.ebooklibonline.com>

100 CRANKCASE

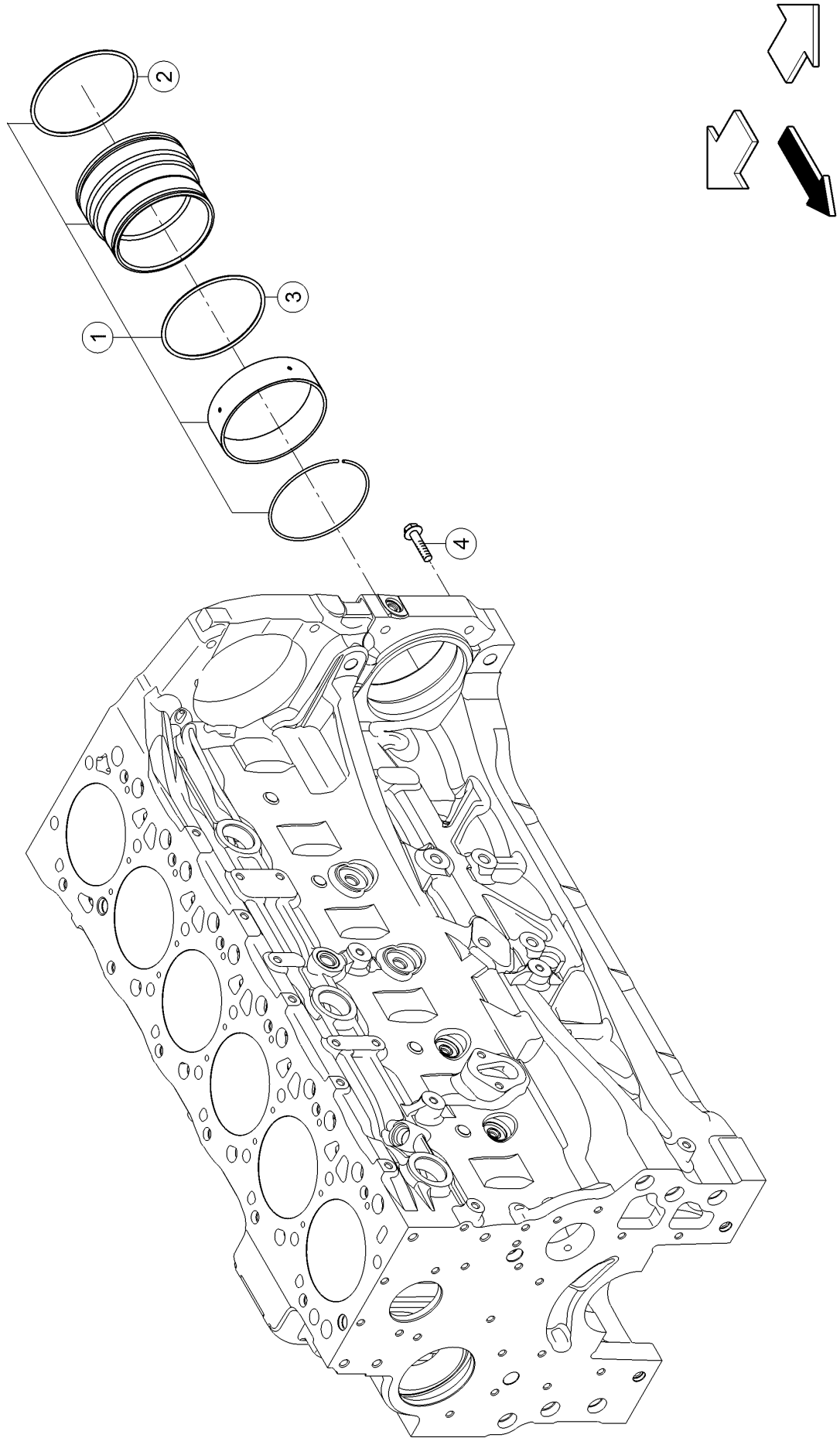
Pos.	Part No.	Description	Dimension	Quantity	Conditions
1	00 1139 588 0	NOZZLE		1	
2	60 0503 098 3	PLUG		3	
3	60 0503 098 4	O-RING		3	
4	60 0503 100 0	PLUG		2	
5	60 0503 100 1	O-RING		2	
6	60 0503 098 2	PLUG		3	
7	60 0503 099 8	NOZZLE		6	1)
7	00 1164 565 0	NOZZLE		6	2)
8	60 0503 099 7	SCREW		6	1)
9	00 1149 427 0	PUSHROD		12	
10	60 0503 098 6	CENTRING PIN		14	
11	60 0503 098 5	SCREW		14	
12	60 0503 098 1	BUSHING		1	
13	60 0503 099 3	PLUG		2	
14	60 0503 099 4	O-RING		2	
15	60 0503 099 0	PLUG		2	
16	60 0503 098 0	PLUG		6	
17	60 0503 098 7	CENTRING PIN		2	
18	00 1167 351 0	CRANKCASE		1	

1) machine no.

+ up to A4002610
 - A4002605
 - A4002608
 + A4002626
 + A4002627
 + A4002632
 + A4002641
 + A4002661
 Up to Engine N° 1444454

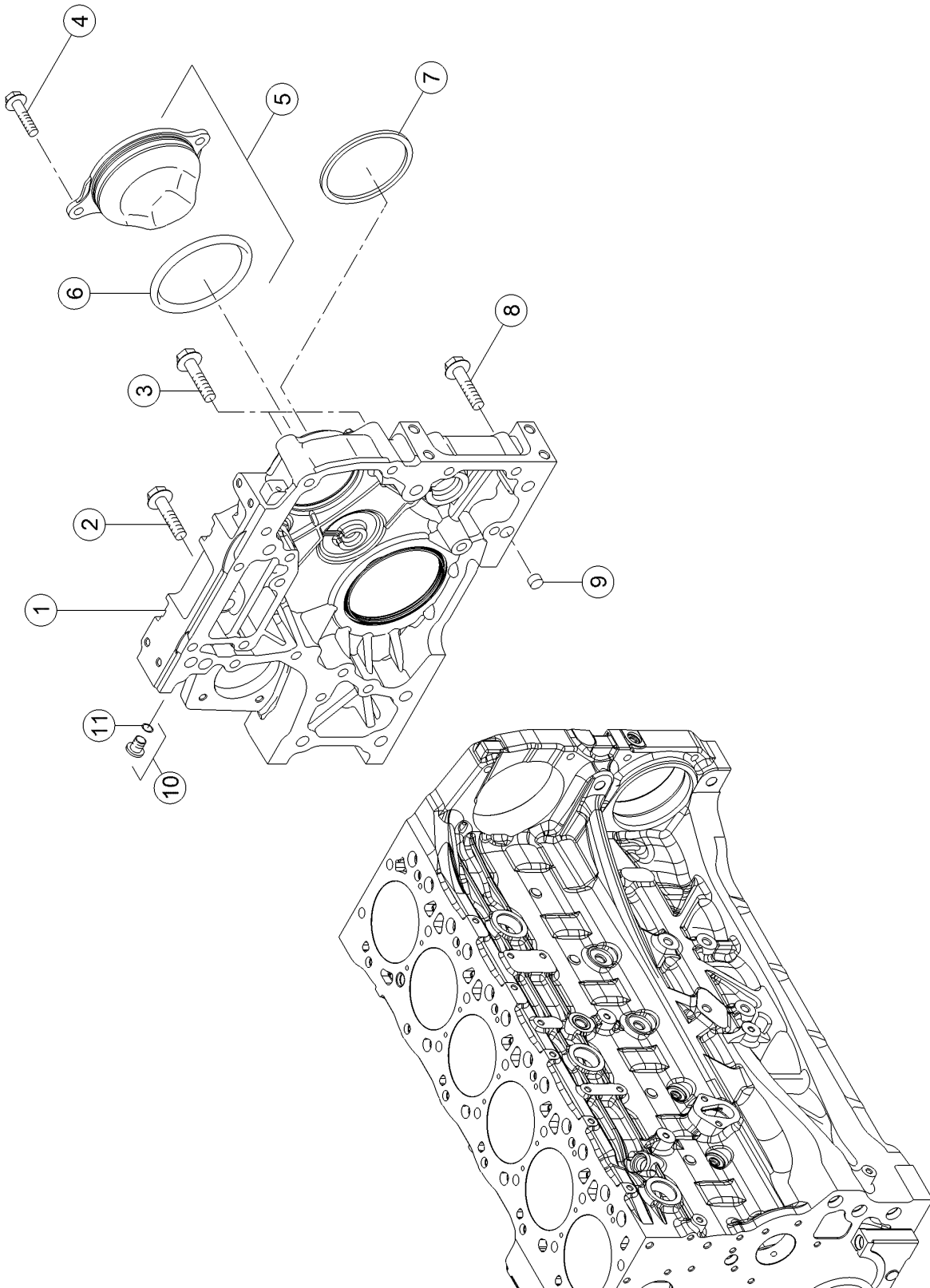
2) machine no.

+ A4002605
 + A4002608
 + from A4002611
 - A4002626
 - A4002627
 - A4002632
 - A4002641
 - A4002661
 From Engine N°1444455



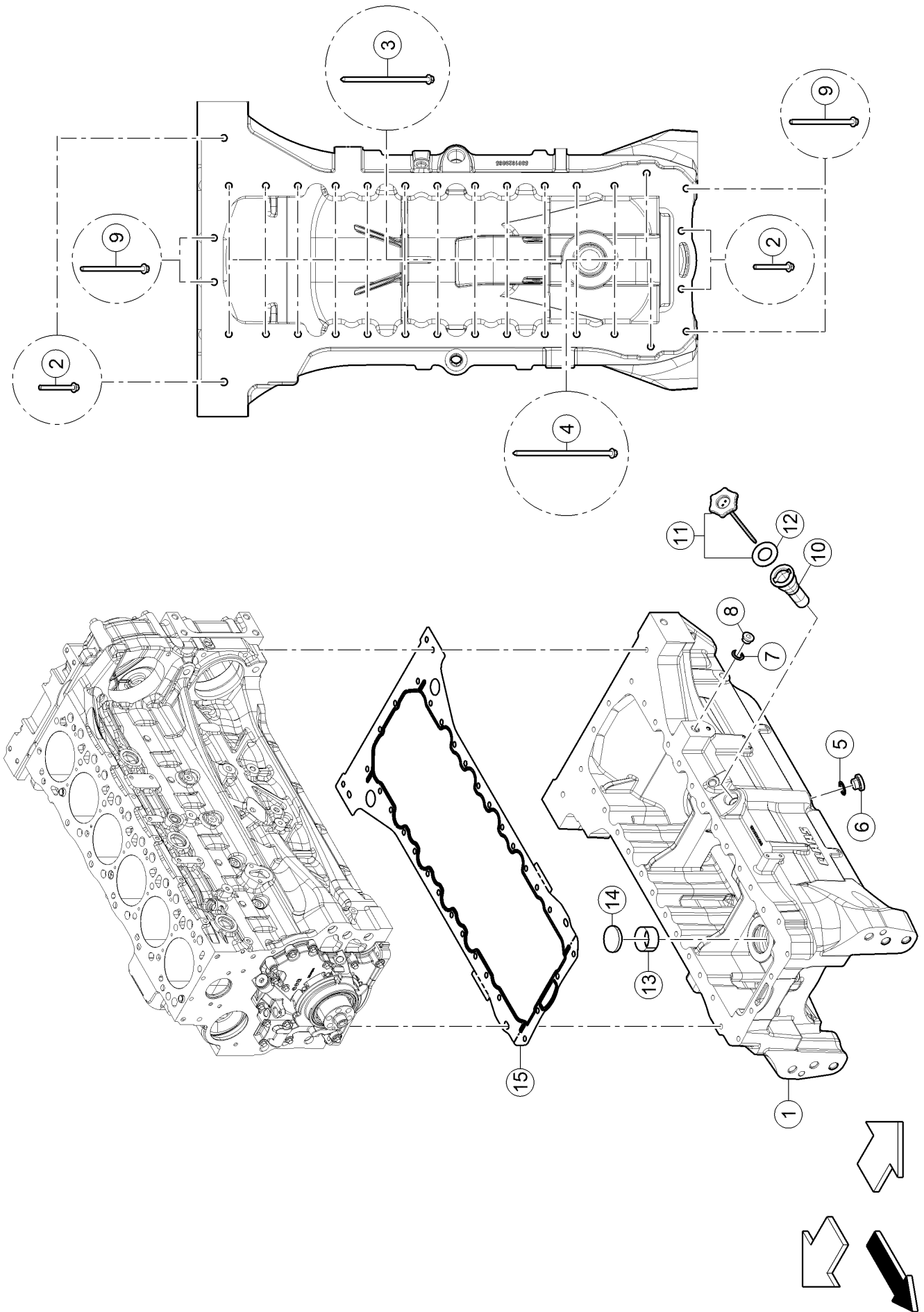
100 CRANKCASE

Pos.	Part No.	Description	Dimension	Quantity	Conditions
1	00 1139 588 0	NOZZLE		1	
2	60 0503 098 0	PLUG		1	
3	60 0503 098 2	PLUG		1	
4	60 0503 100 0	PLUG		1	



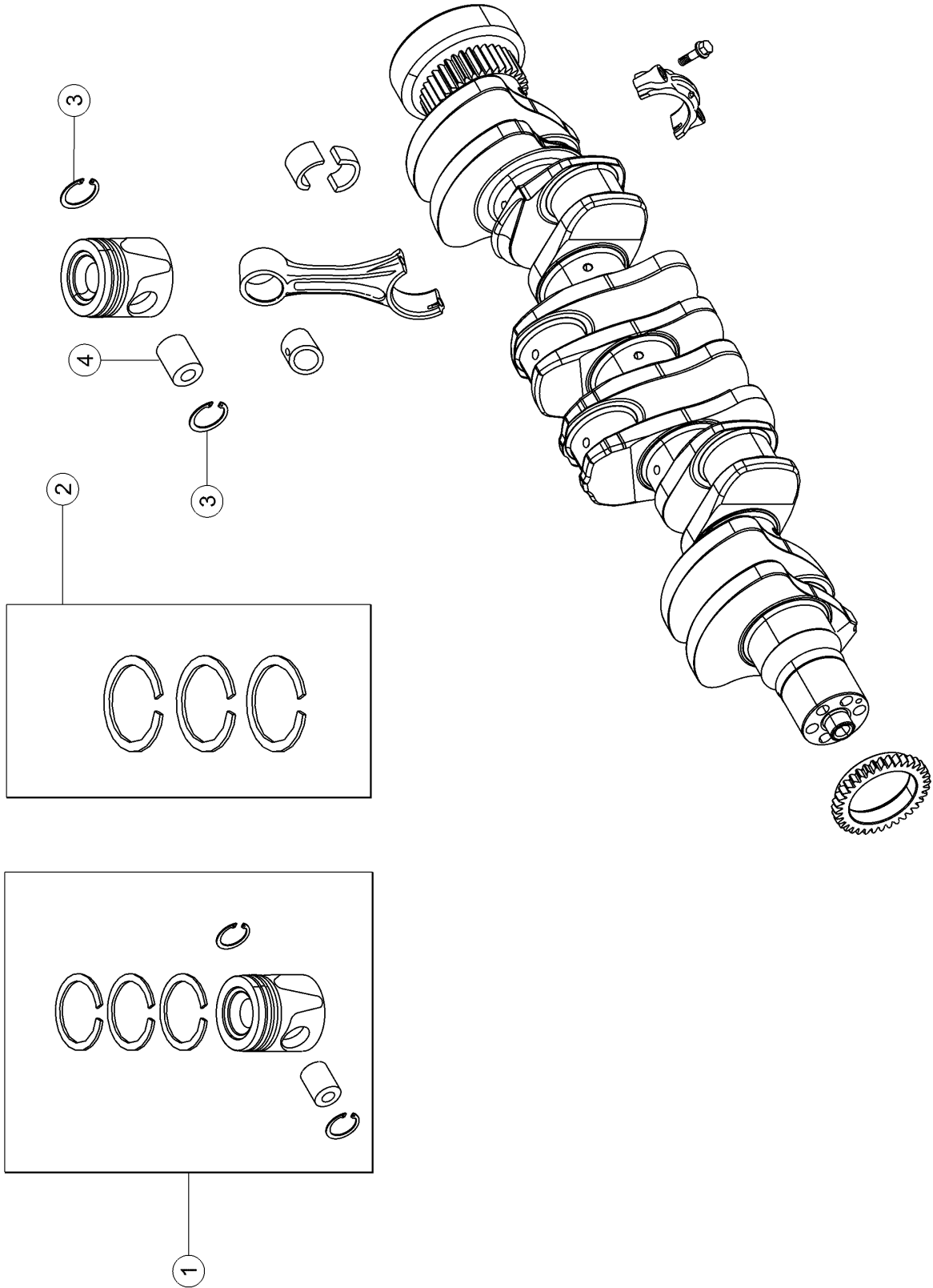
120 TIMING CASE

Pos.	Part No.	Description	Dimension	Quantity	Conditions
1	00 1149 460 0	CASING		1	
2	00 1139 458 0	SCREW		15	
3	00 1139 460 0	SCREW		2	
4	60 0503 112 2	SCREW		2	
5	00 1149 462 0	COVER		1	
6	00 1139 454 0	O-RING		1	
7	00 1147 783 0	SEALING RING		1	
8	00 1139 457 0	SCREW		1	
9	60 0503 100 8	CENTRING PIN		2	
10	60 0503 099 3	PLUG		1	
11	60 0503 099 4	O-RING		1	



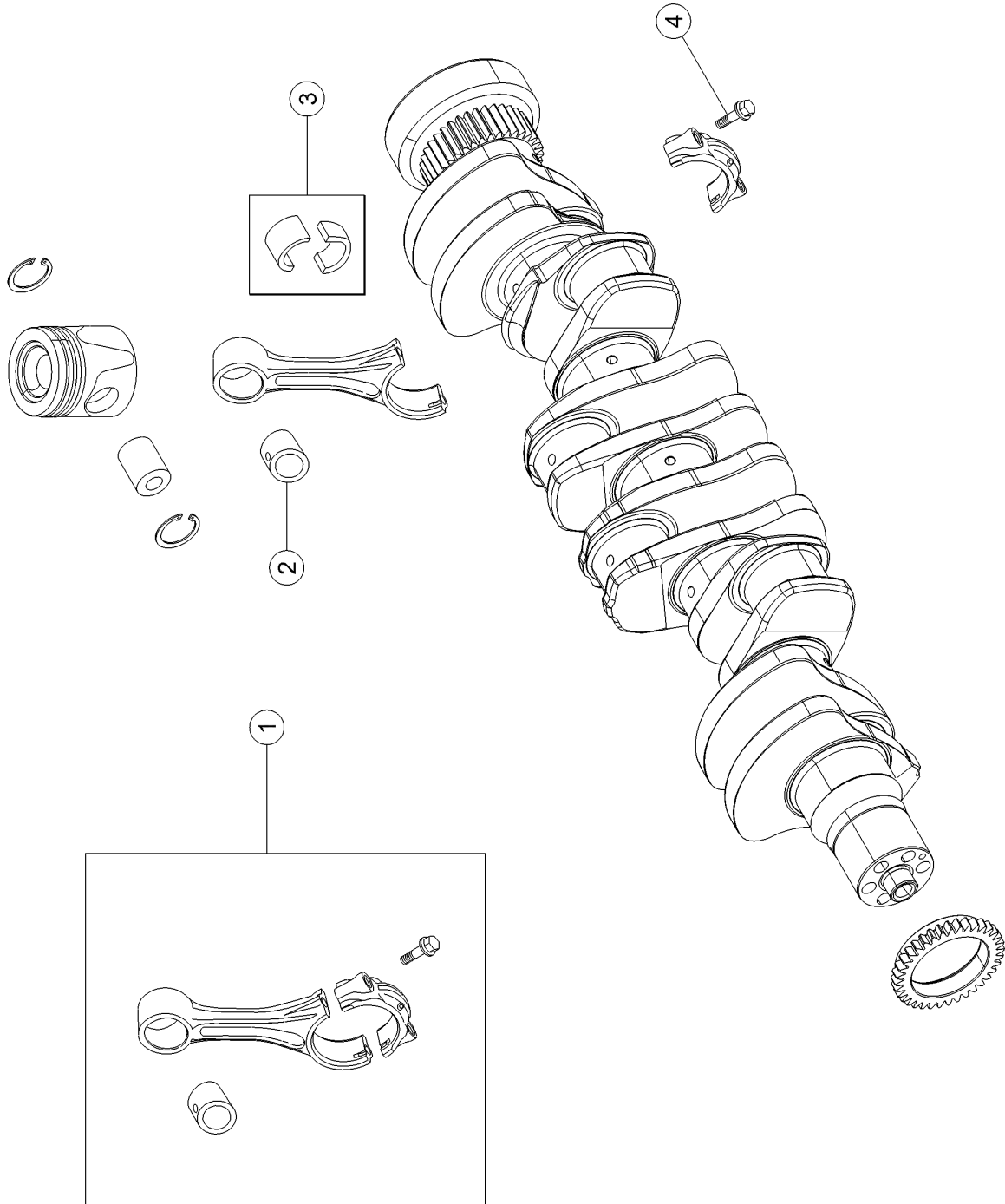
160 OIL PAN

Pos.	Part No.	Description	Dimension	Quantity	Conditions
1	00 1153 444 0	CASING		1	
2	00 1152 885 0	SCREW		4	
3	00 1153 445 0	STD SCREW		20	
4	00 1153 446 0	STD SCREW		6	
5	60 0503 101 1	O-RING		3	
6	60 0503 101 0	SCREW PLUG		3	
7	60 0503 132 7	GASKET		3	
8	60 0502 555 9	LOCK		1	
9	00 1149 499 0	SCREW		4	
10	00 1152 621 0	TUBE		1	
11	00 1152 620 0	GAUGE		1	
12	60 0503 146 2	SEALING RING		1	
13	60 0503 101 4	ENGINE OIL FILTER		1	
14	60 0503 101 5	LOCK		1	
15	00 1149 501 0	FLAT SEAL		1	



100 CYLINDER LINER, PISTON

Pos.	Part No.	Description	Dimension	Quantity	Conditions
1	00 1149 530 0	PLUNGER		6	
2	00 1158 828 0	ENGINE PISTON RING		6	
3	00 1149 532 0	INT RETAINING RING		12	
4	00 1149 533 0	AXLE		6	



120 CONNECTING ROD, CONNECTING ROD BEARINGS

Pos.	Part No.	Description	Dimension	Quantity	Conditions
1	00 1149 550 0	ROD (ENGINE)		6	1)
1	00 1166 560 0	ROD (ENGINE)		6	2)
2	00 1149 551 0	RING		6	
3	00 1152 896 0	SET OF BEARING BUSHES		6	3)
3	00 1150 903 0	SET OF BEARING BUSHES		6	4)
3	00 1150 904 0	SET OF BEARING BUSHES		6	5)
4	60 0503 108 9	SCREW		12	

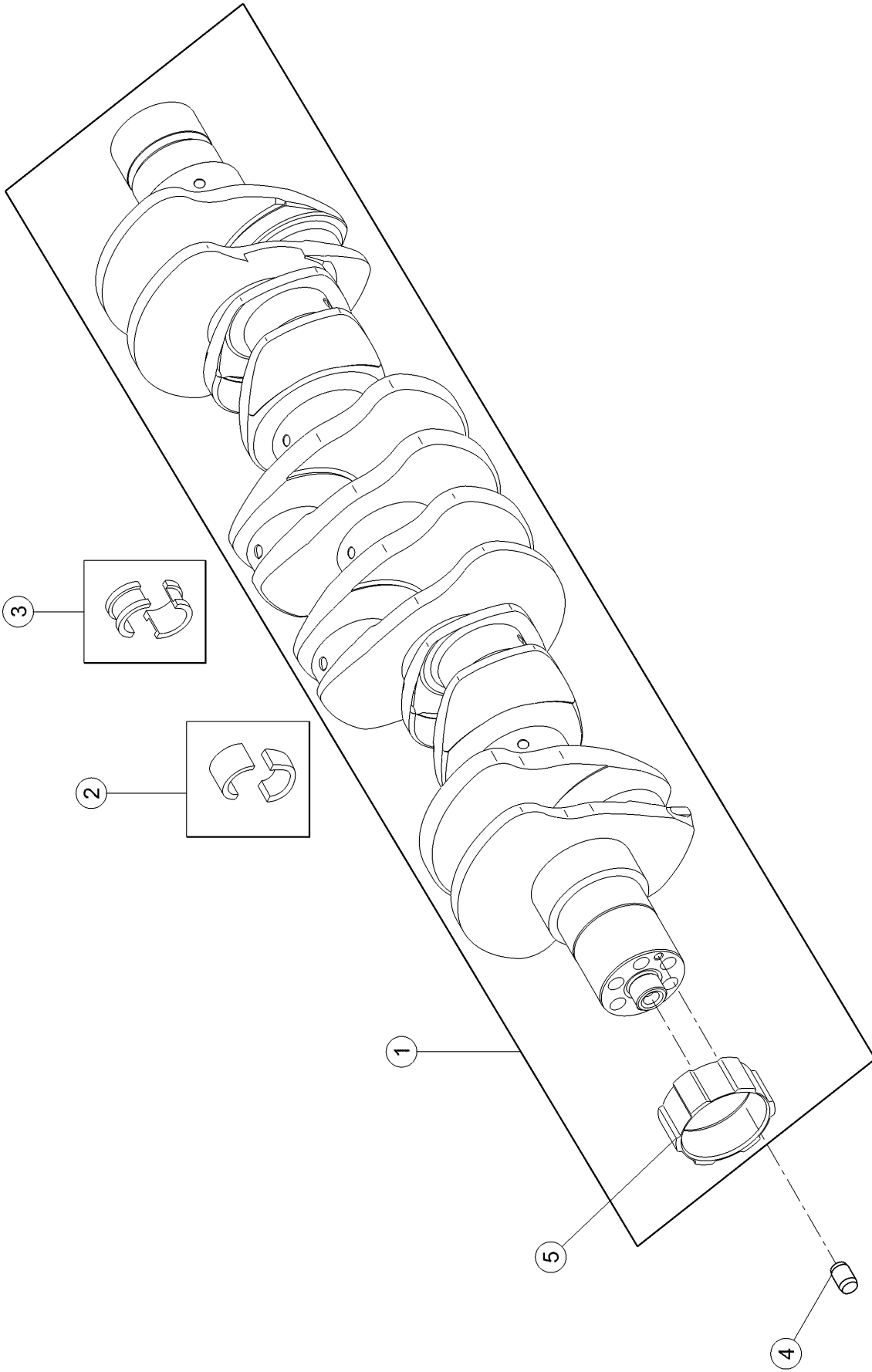
1) machine no. + up to A4003044
 - A4002997
 - A4003009
 - A4003010
 - A4003011
 - A4003012
 - A4003015
 - A4003016
 - A4003017
 - A4003020

2) machine no. + A4002997
 + A4003009
 + A4003010
 + A4003011
 + A4003012
 + A4003015
 + A4003016
 + A4003017
 + A4003020
 + A4003021

3) Remarks STANDARD

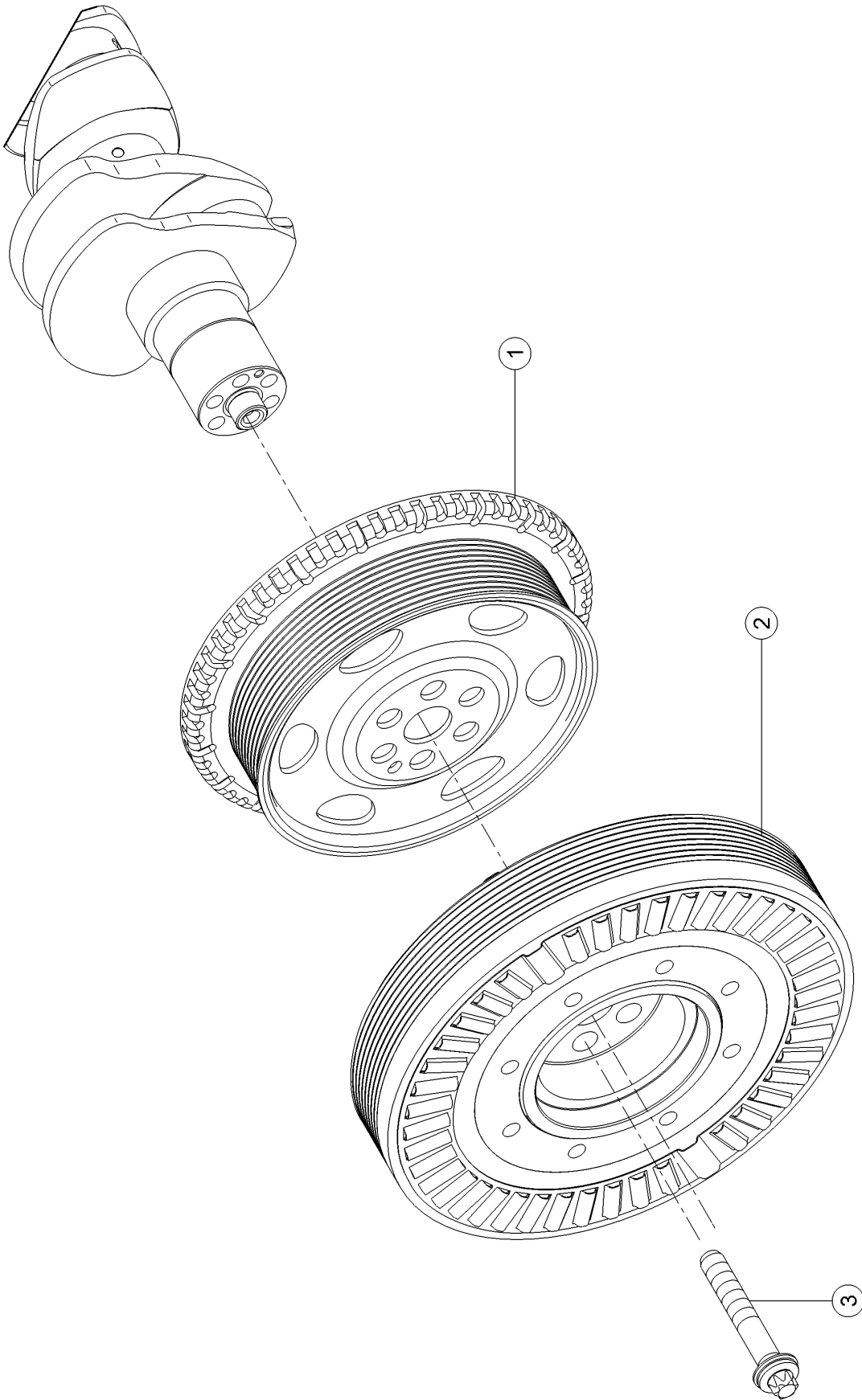
4) Remarks -0,250

5) Remarks -0,500



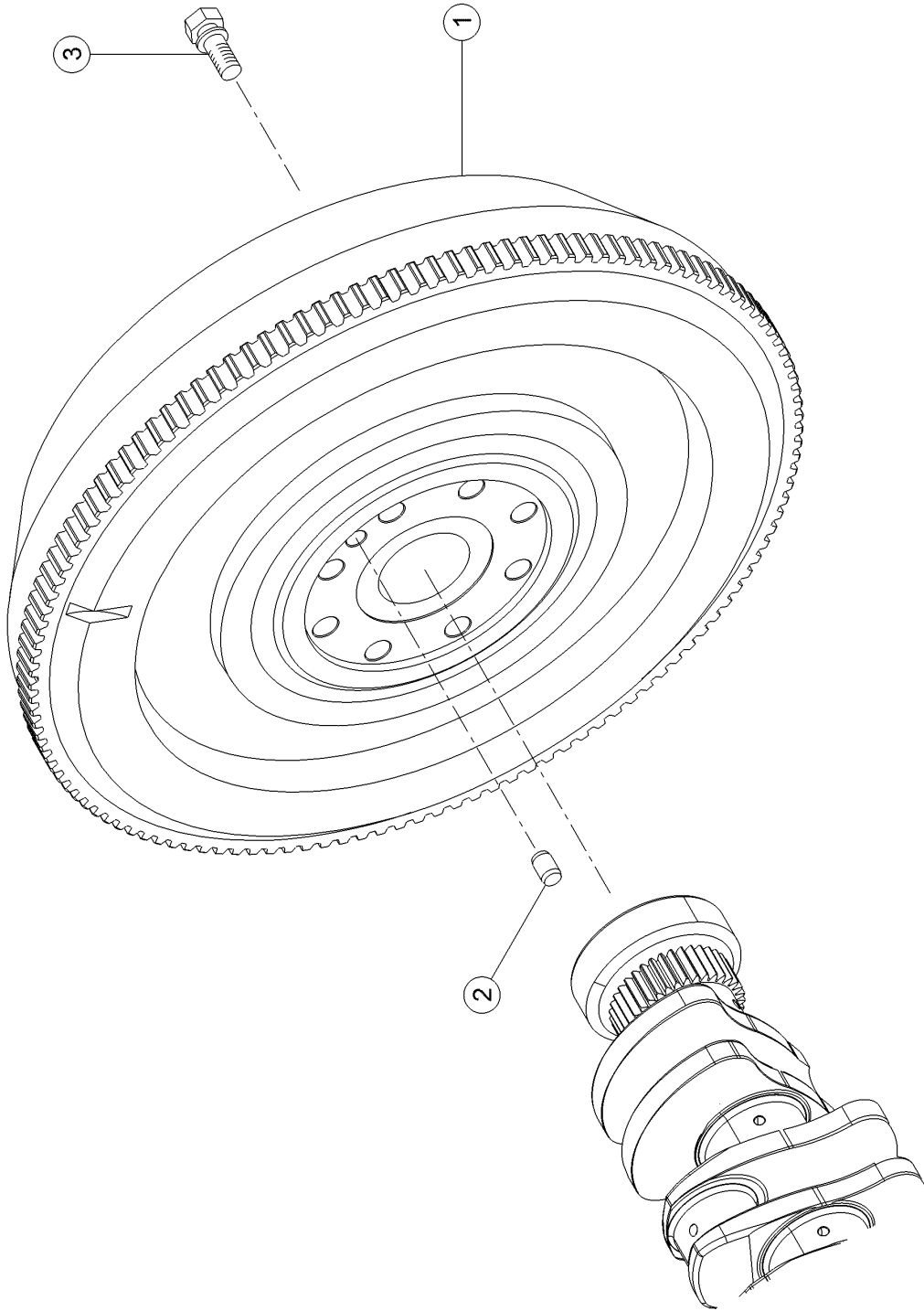
140 CRANKSHAFT

Pos.	Part No.	Description	Dimension	Quantity	Conditions
1	00 1149 561 0	CRANKSHAFT		1	
2	00 1149 562 0	SET OF BEARING BUSHES		6	1)
2	00 1150 898 0	SET OF BEARING BUSHES		6	2)
2	00 1150 900 0	SET OF BEARING BUSHES		6	3)
3	00 1149 563 0	SET OF BEARING BUSHES		1	1)
3	00 1150 901 0	SET OF BEARING BUSHES		1	2)
3	00 1150 902 0	SET OF BEARING BUSHES		1	3)
4	60 0503 110 4	CENTRING PIN		1	
5	00 1139 671 0	BUSHING		1	
1)	Remarks		STANDARD		
2)	Remarks		-0,250		
3)	Remarks		-0,500		



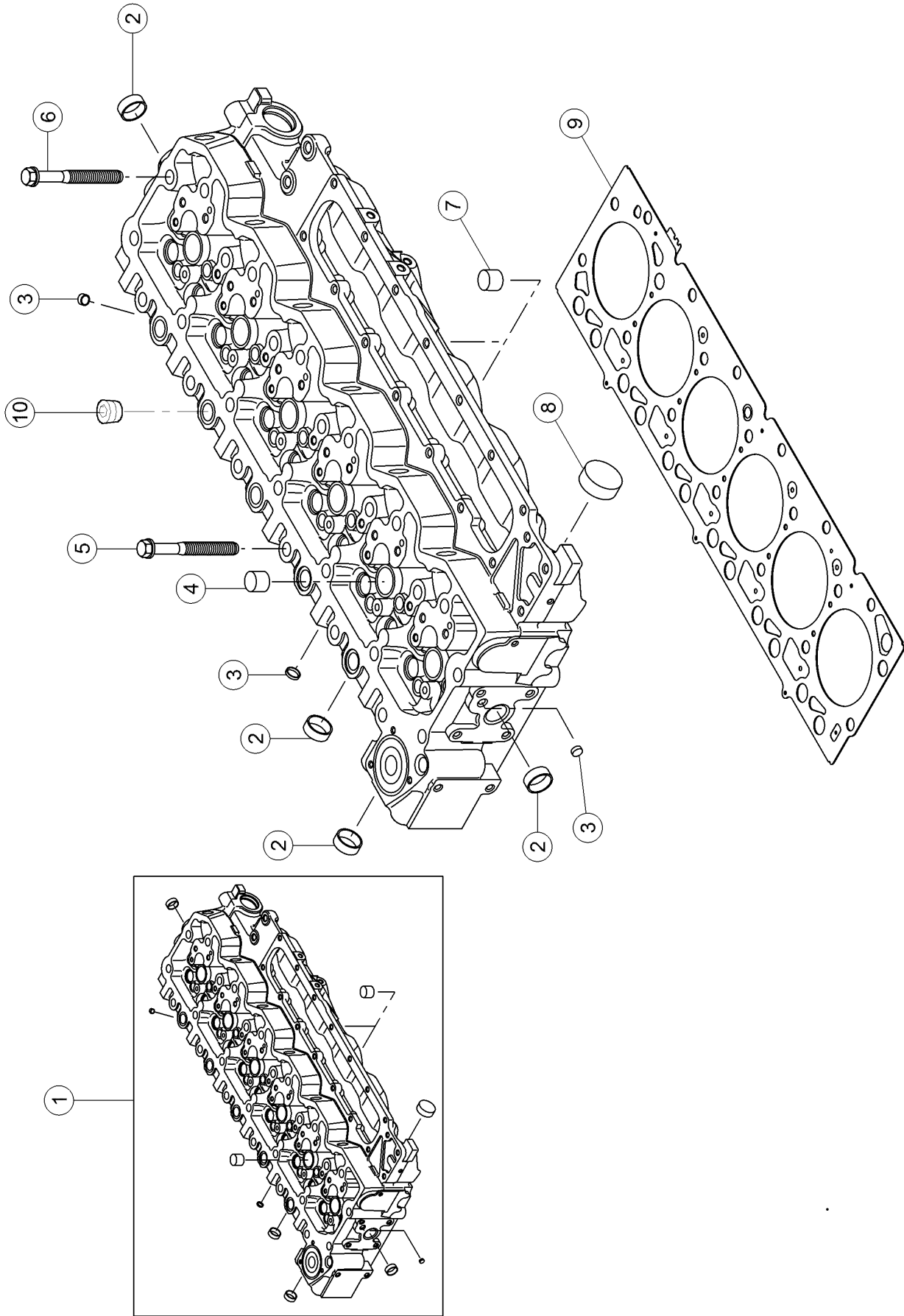
160 CRANKSHAFT PULLEY WHEEL

Pos.	Part No.	Description	Dimension	Quantity	Conditions
1	00 1149 566 0	PULLEY		1	
2	00 1149 567 0	HUB		1	
3	60 0503 104 3	SCREW		6	



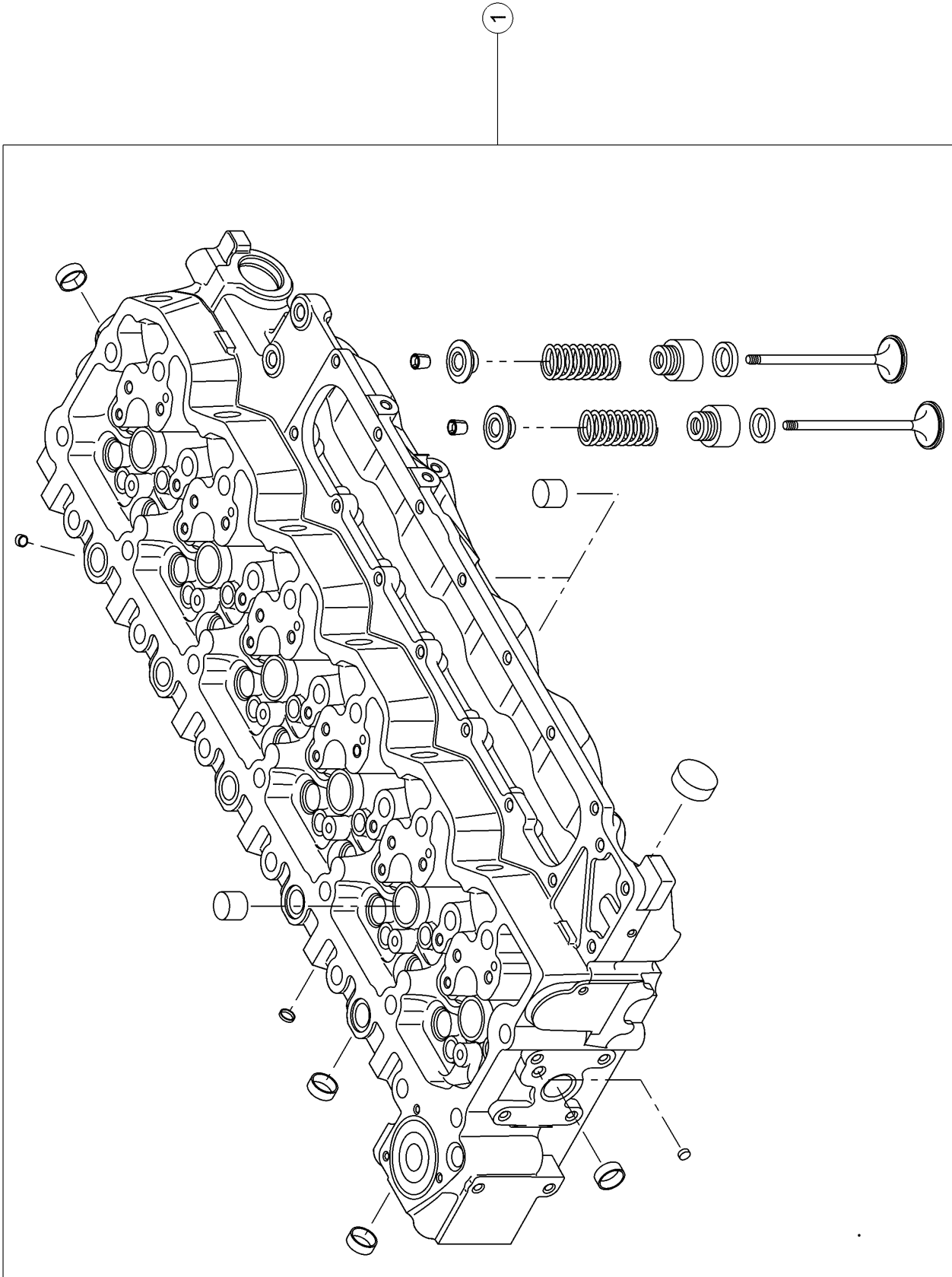
220 FLYWHEEL

Pos.	Part No.	Description	Dimension	Quantity	Conditions
1	00 1149 568 0	FLYWHEEL		1	
2	60 0503 111 0	CENTRING PIN		1	
3	00 1149 569 0	SCREW		8	



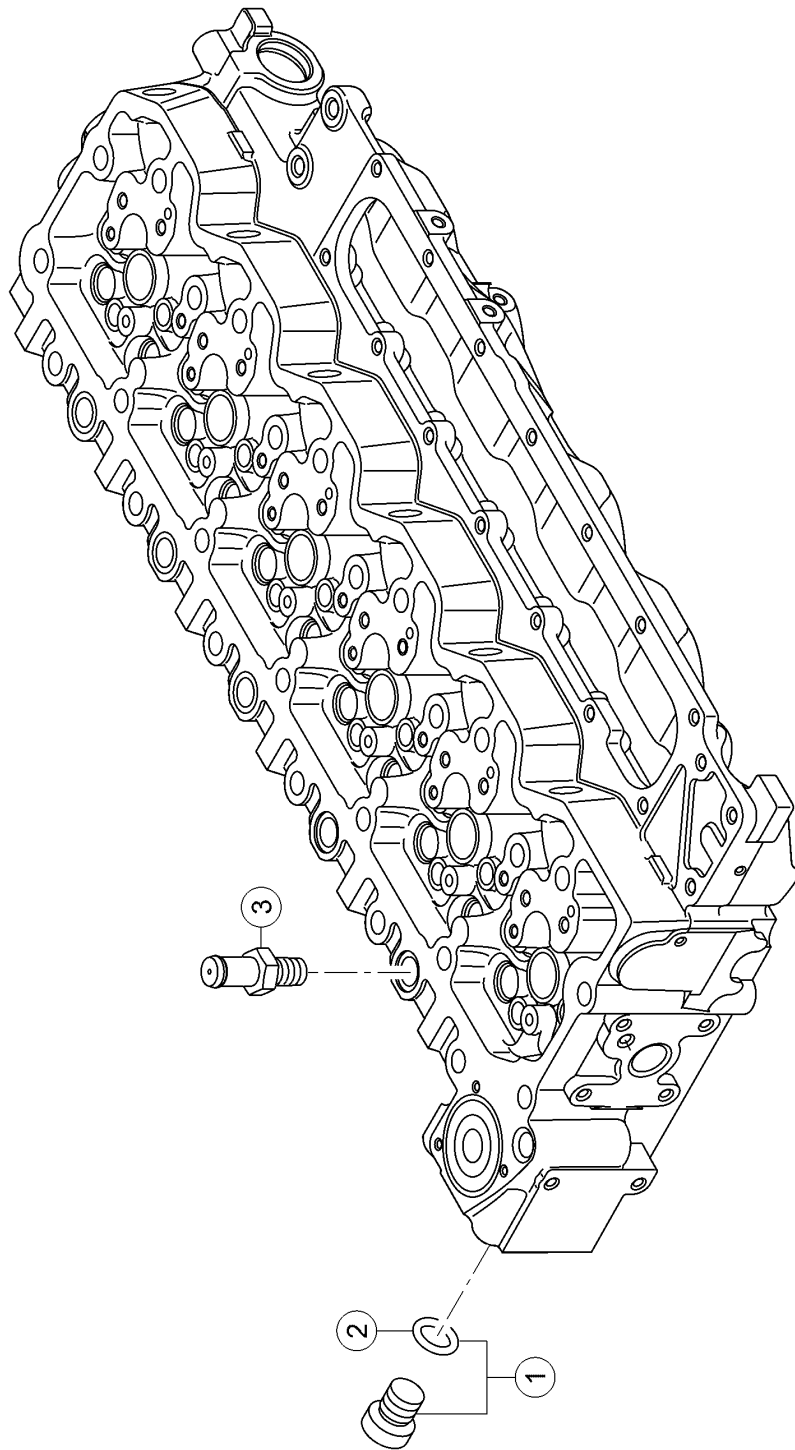
100 CYLINDER HEAD

Pos.	Part No.	Description	Dimension	Quantity	Conditions
1	00 1149 571 0	CYLINDER HEAD		1	
2	00 1139 905 0	PLUG		13	
3	00 1149 572 0	PLUG		7	
4	60 0503 099 1	PLUG		11	
5	00 1149 573 0	SCREW		12	
6	00 1149 574 0	SCREW		14	
7	00 1149 575 0	PLUG		1	
8	00 1149 576 0	PLUG		2	
9	00 1149 577 0	CYLINDER HEAD GASKET		1	
10	60 0503 113 1	PLUG		4	



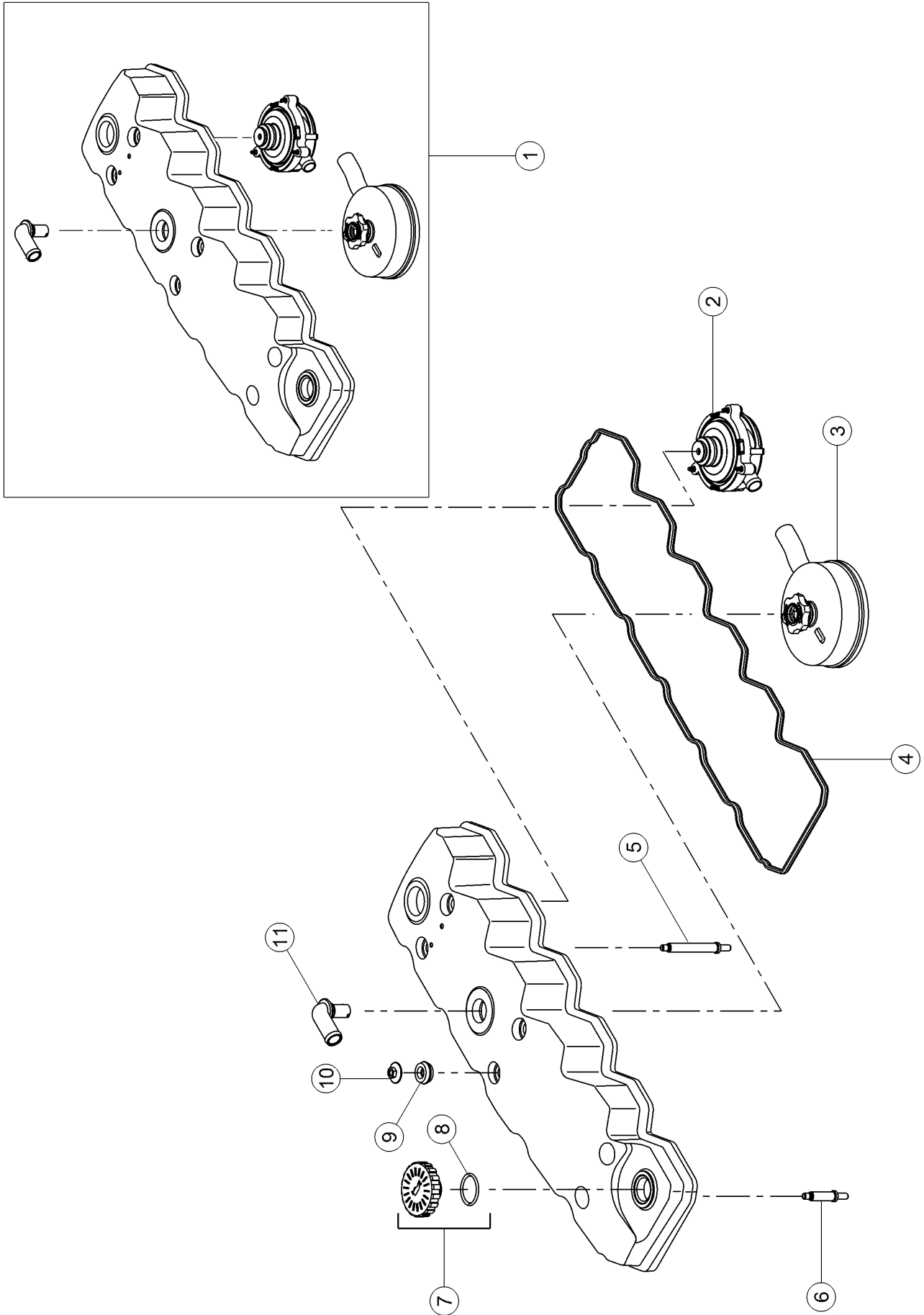
100 CYLINDER HEAD

Pos.	Part No.	Description	Dimension	Quantity	Conditions
1	00 1150 658 1	CYLINDER HEAD		1	



100 CYLINDER HEAD

Pos.	Part No.	Description	Dimension	Quantity	Conditions
1	00 1153 011 0	PLUG		1	
2	00 1153 012 0	O-RING		1	
3	00 1153 009 0	UNION CONNECTOR		1	

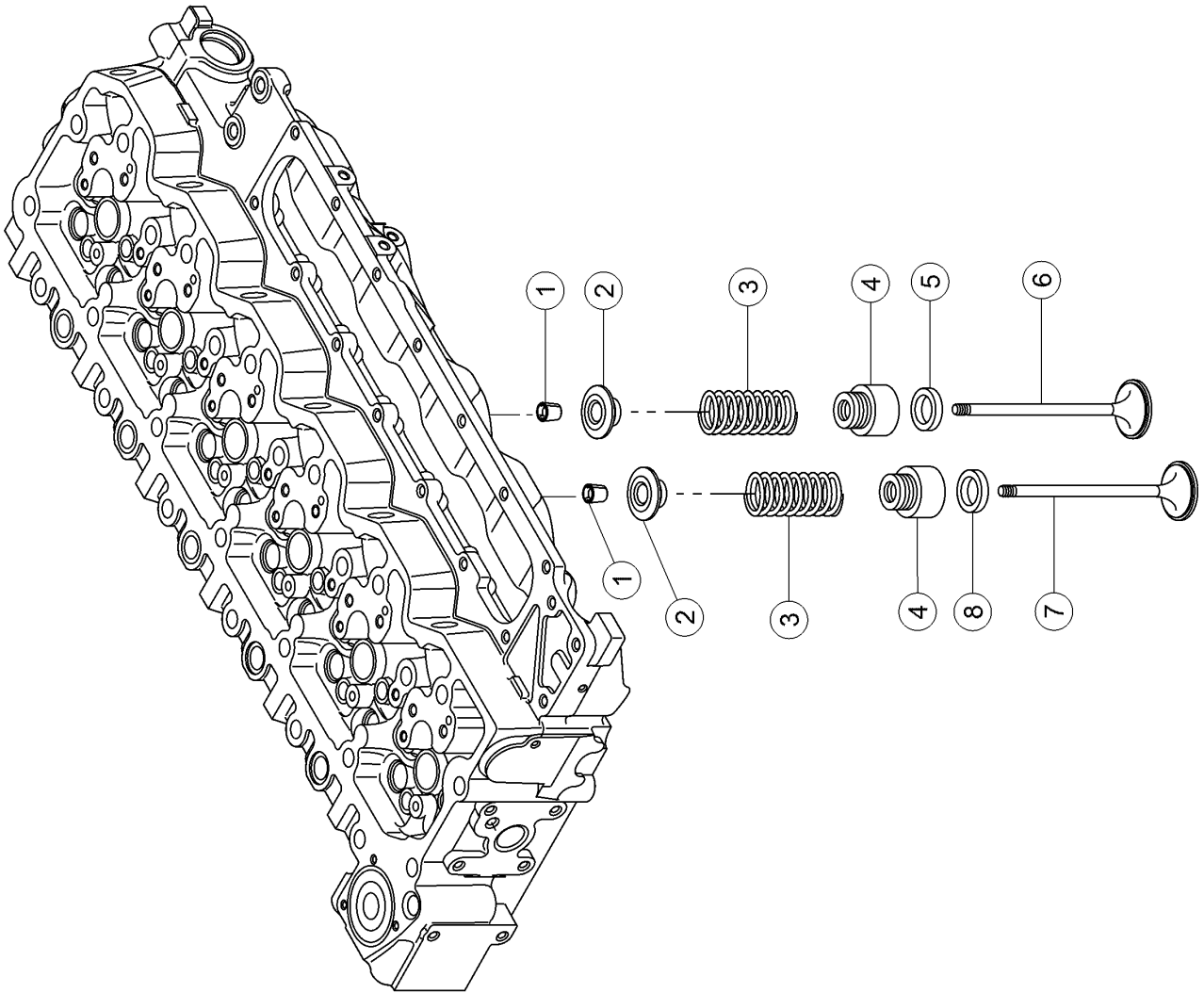


120 CYLINDER HEAD COVER

Pos.	Part No.	Description	Dimension	Quantity	Conditions
1	00 1159 927 0	ROCKER COVER		1	
2	00 1149 659 0	HYDRAULIC VALVE		1	
3	00 1159 929 0	OIL VAPOUR FILTER		1	1)
3	00 1164 150 0	OIL VAPOUR FILTER		1	2)
4	00 1149 661 0	SEAL		1	
5	00 1149 662 0	STUD BOLT		4	
6	00 1149 663 0	STUD BOLT		2	
7	00 1149 664 0	PLUG		1	
8	00 1149 665 0	O-RING		1	
9	00 1149 666 0	SEALING RING		6	
10	00 1149 667 0	PLUG		6	
11	00 1149 668 0	TUBE		1	

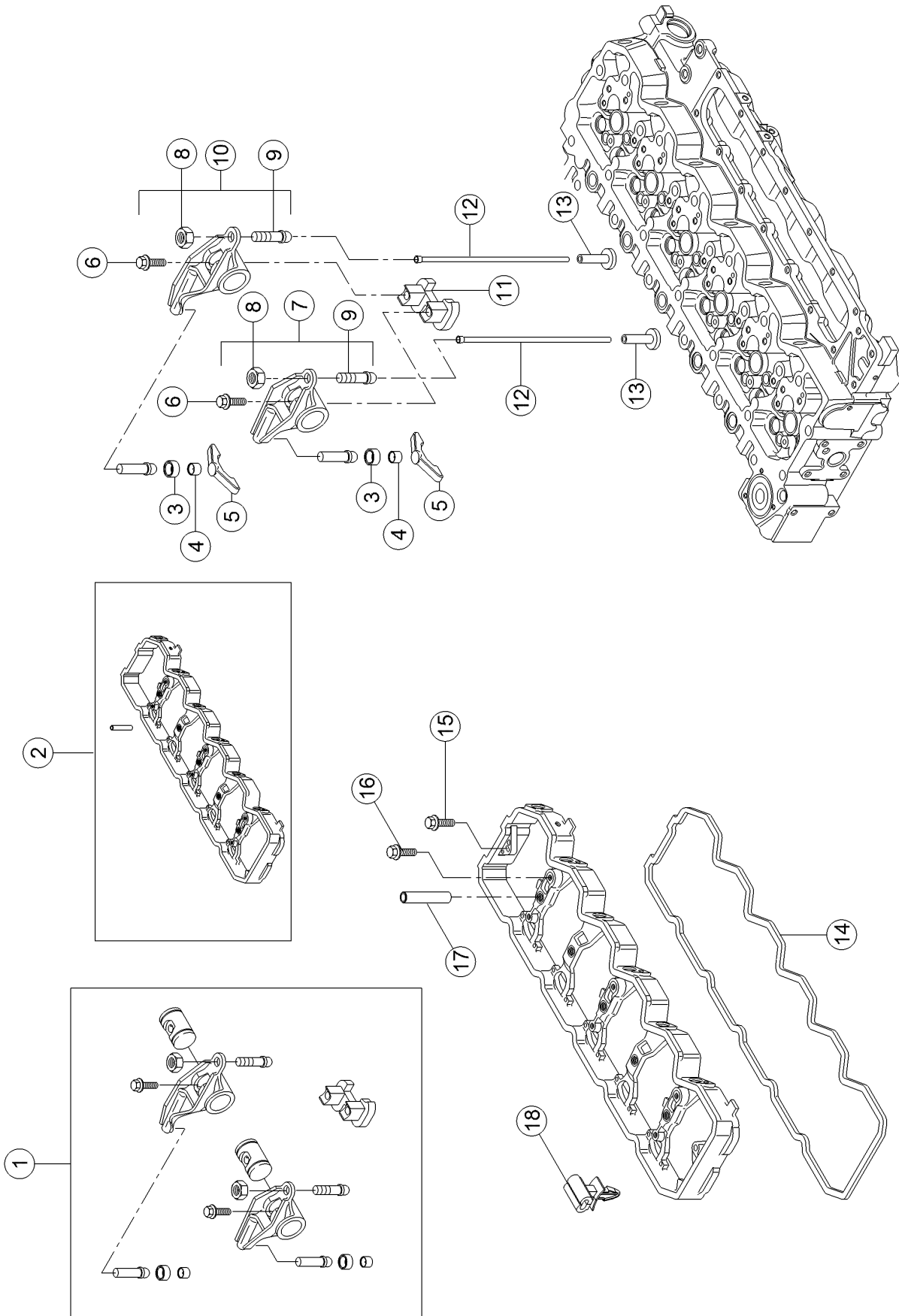
1) machine no. + up to A4002677
+ A4002679
+ A4002680
+ A4002681
+ A4002682
+ A4002683
+ A4002686
+ A4002687
+ A4002688
+ A4002690

2) machine no. + from A4002678
- A4002679
- A4002680
- A4002681
- A4002682
- A4002683
- A4002686
- A4002687
- A4002688
- A4002690



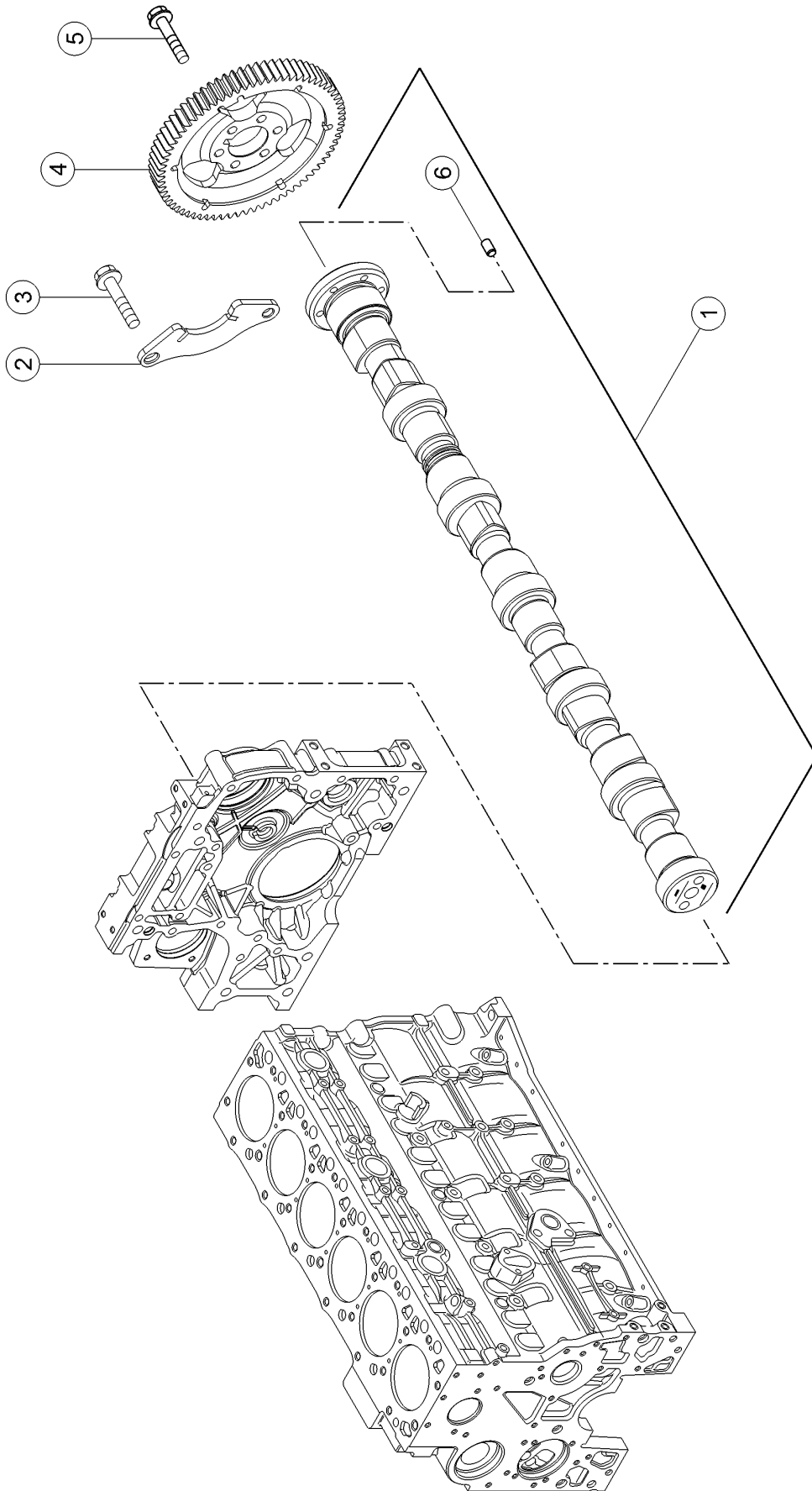
140 VALVES

Pos.	Part No.	Description	Dimension	Quantity	Conditions
1	00 1149 679 0	HALF-CONE		48	
2	00 1149 680 0	WASHER		24	
3	00 1149 681 0	SPRING		24	
4	00 1149 683 0	GUIDE		24	
5	00 1149 684 0	VALVE SEAT		12	1)
6	00 1149 685 0	VALVE		12	1)
7	00 1149 686 0	VALVE		12	2)
8	00 1149 687 0	VALVE SEAT		12	2)
1)	Remarks		INTAKE		
2)	Remarks		EXHAUST		



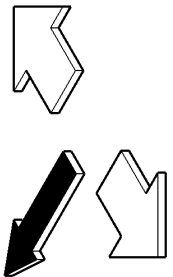
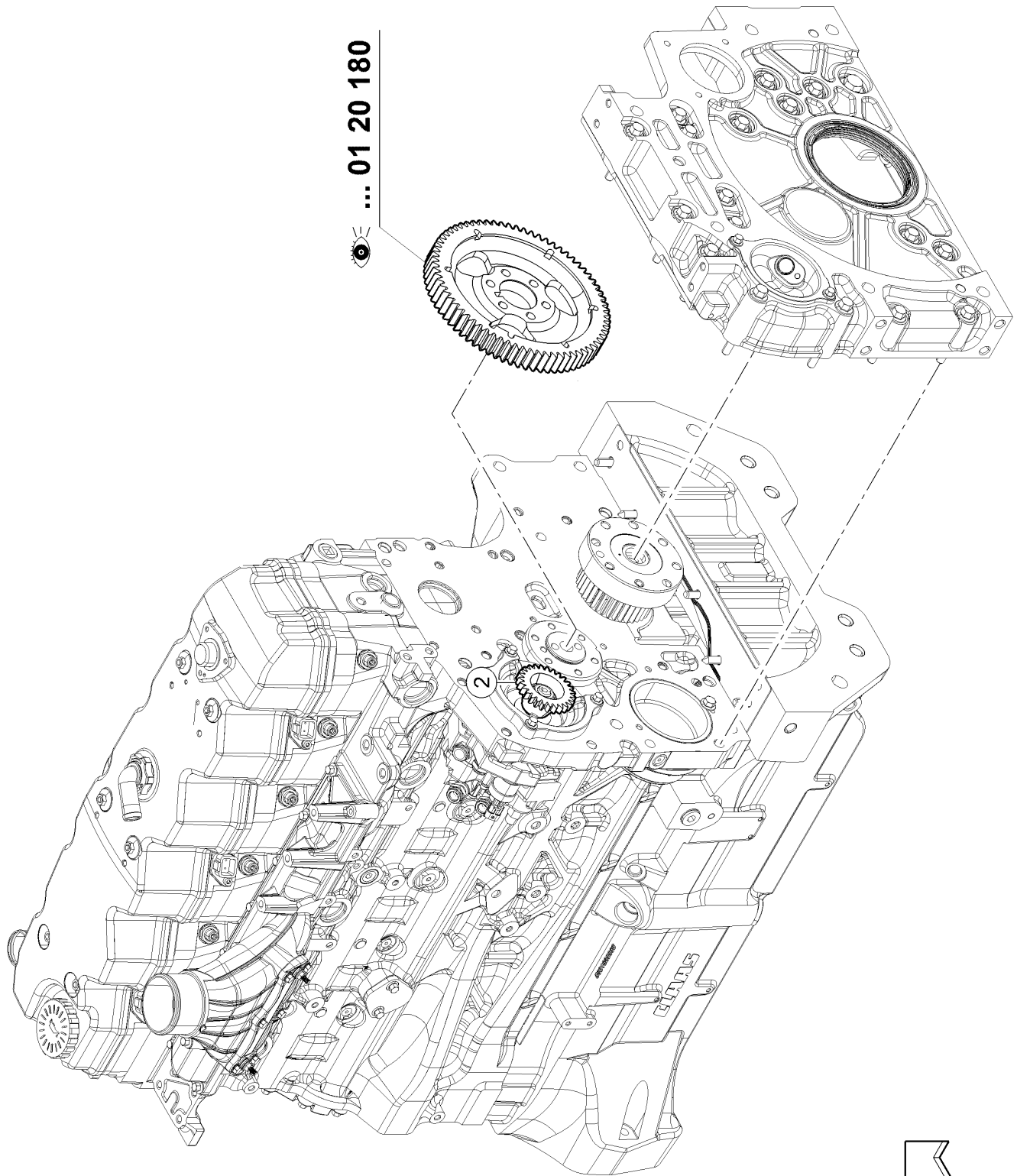
160 ROCKER ARM

Pos.	Part No.	Description	Dimension	Quantity	Conditions
1	00 1149 695 0	ROCKER ARM		6	
2	00 1149 696 0	CASING		1	
3	00 1149 697 0	BEARING BUSH		12	
4	00 1149 698 0	BASE		12	
5	00 1149 699 0	TIPPER		12	
6	00 1149 789 0	SCREW		12	
7	00 1149 700 0	ROCKER ARM		6	
8	00 1149 701 0	SCREW		12	
9	00 1149 702 0	SCREW		12	
10	00 1149 703 0	ROCKER ARM		6	
11	00 1149 704 0	SUPPORT		6	
12	00 1149 705 0	ROD		12	
13	00 1149 427 0	PUSHROD		12	
14	00 1149 706 0	SEALING RING		1	
15	00 1140 675 0	SCREW		2	
16	00 1149 707 0	SCREW	M08X70	5	
17	00 1149 708 0	BRACE		5	
18	00 1149 709 0	STEEL CLIP		6	



180 CAMSHAFT, CAMSHAFT BEARING BUSHES

Pos.	Part No.	Description	Dimension	Quantity	Conditions
1	00 1149 747 0	CAMSHAFT		1	
2	60 0503 118 6	SUPPORT		1	
3	00 1149 749 0	SCREW		2	
4	00 1149 750 0	WHEEL		1	
5	00 1140 981 0	SCREW		6	
6	60 0503 118 5	CENTRING PIN		1	





Suggest:

For more complete manuals. Please go to the home page.

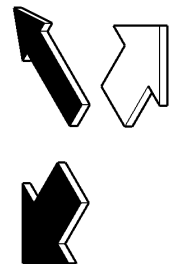
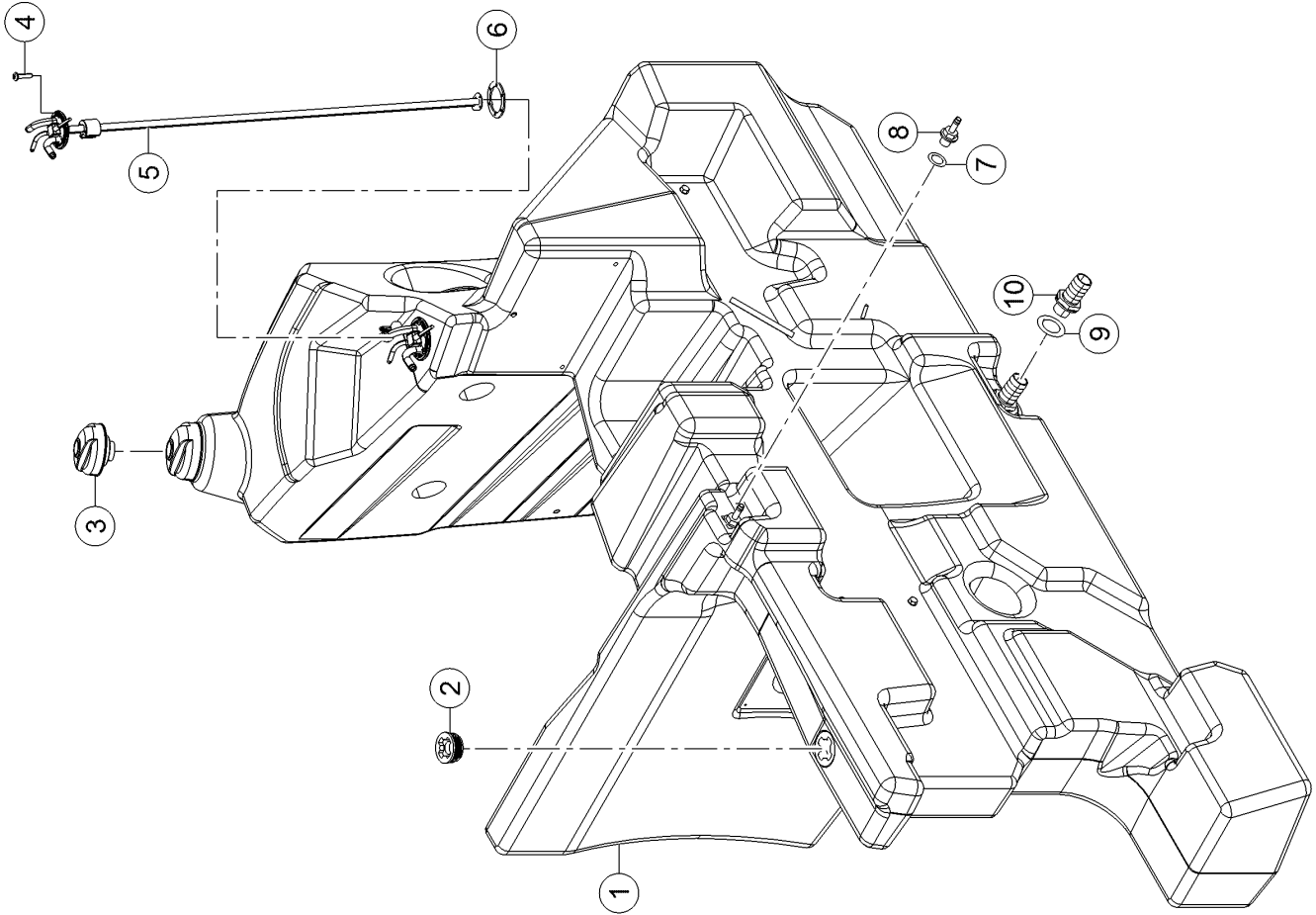
<https://www.ebooklibonline.com>

If the above button click is invalid. Please download this document first, and then click the above link to download the complete manual.

Thank you so much for reading

200 IDLER GEAR

Pos.	Part No.	Description	Dimension	Quantity	Conditions
2	00 1149 767 0	WHEEL		1	



<https://www.ebooklibonline.com>

Hello dear friend!

Thank you very much for reading.

Enter the link into your browser.

The full manual is available for immediate download.

<https://www.ebooklibonline.com>