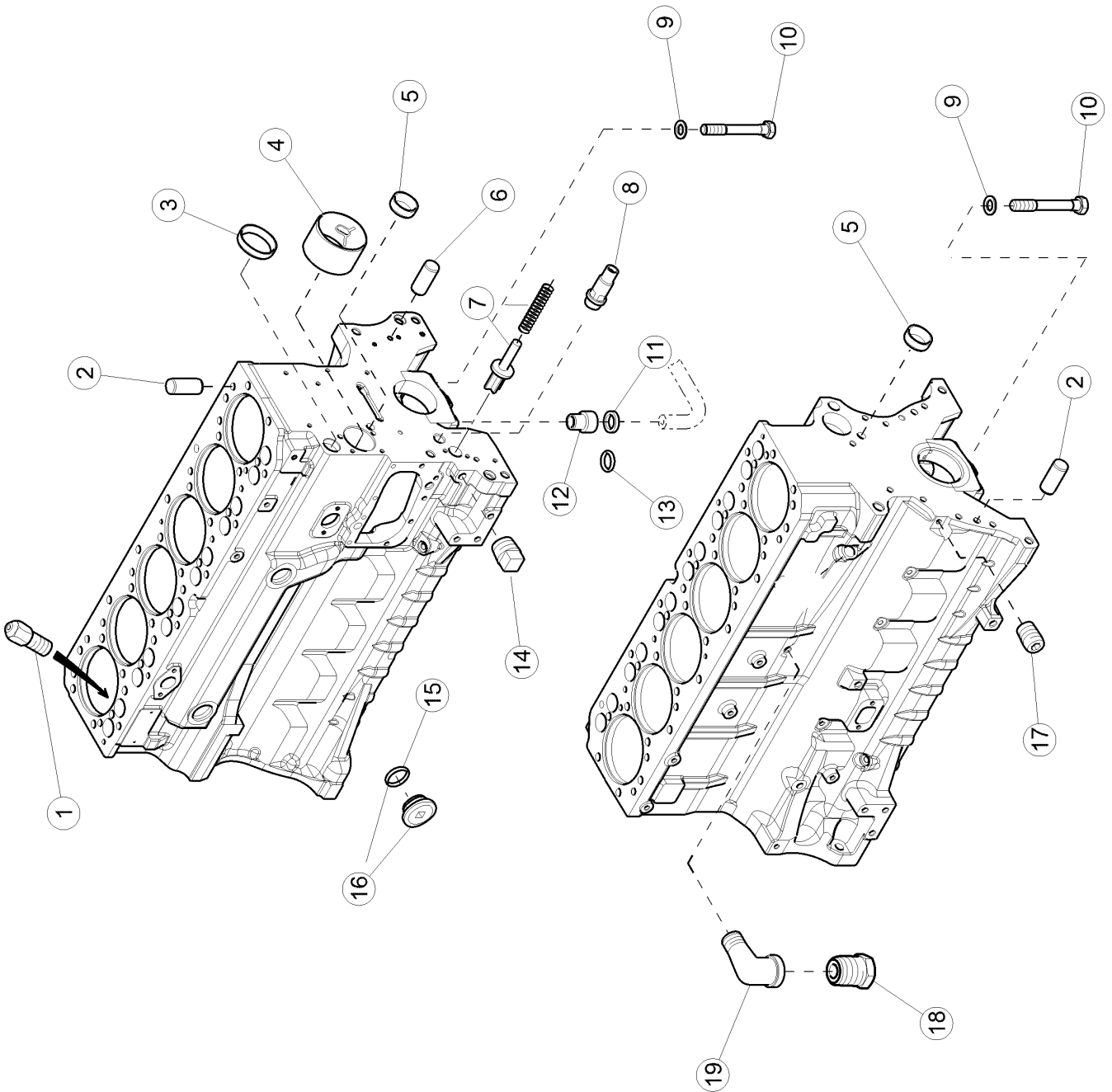


010 COMPLETE ENGINE

Pos.	Part No.	Description	Dimension	Quantity	Conditions
1	00 1114 482 1	ENGINE		1	1)
1	00 1100 807 1	ENGINE		1	2)
1)	Equipment	TJ_P02_0020	Engine 6-cylinder turbo 189 hp ISO rated output		
2)	Equipment	TJ_P02_0050	Engine 6-cylinder turbo 233 hp ISO rated output		



<https://www.ebooklibonline.com>

Hello dear friend!

Thank you very much for reading.

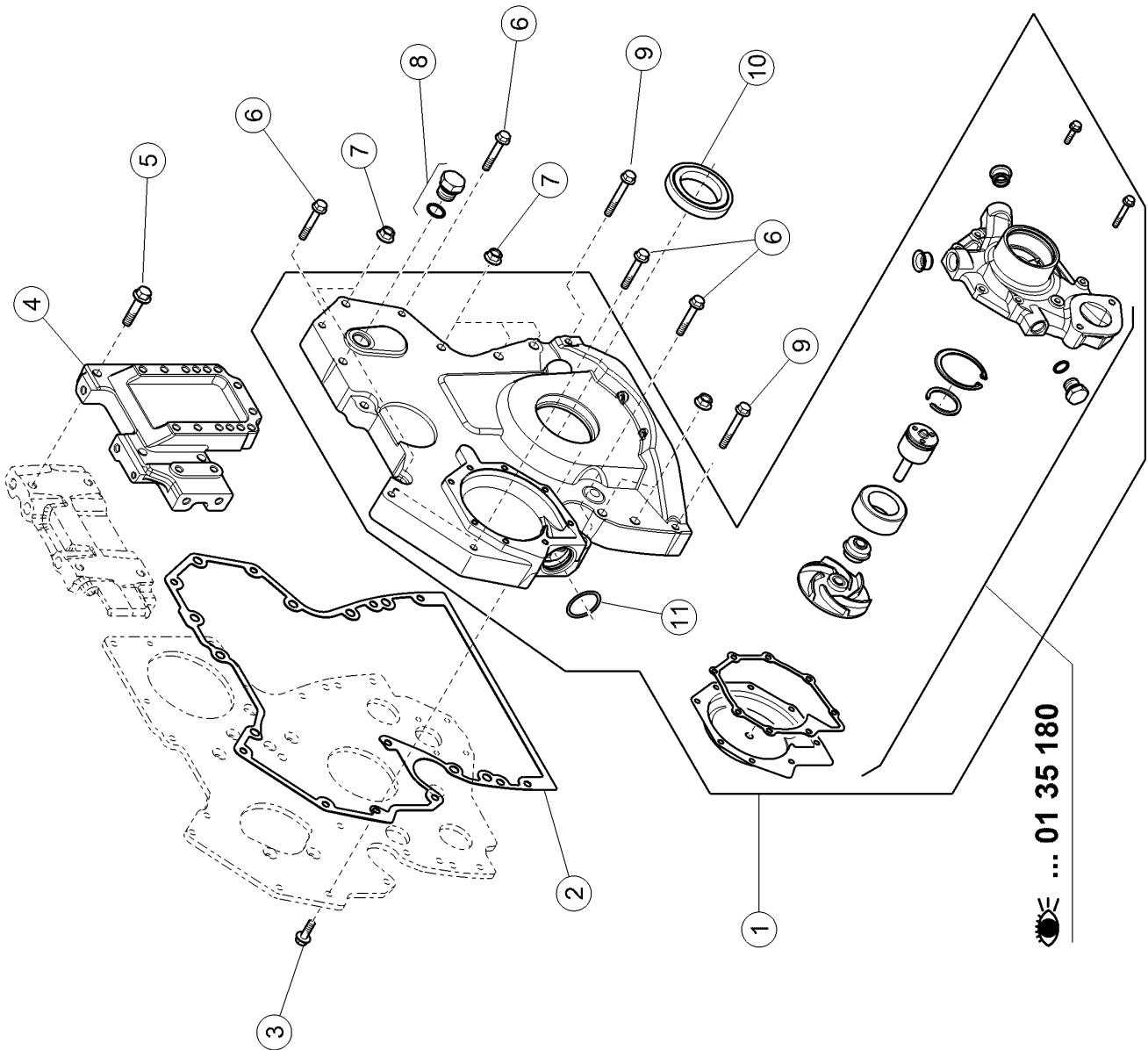
Enter the link into your browser.

The full manual is available for immediate download.

<https://www.ebooklibonline.com>

100 CRANKCASE

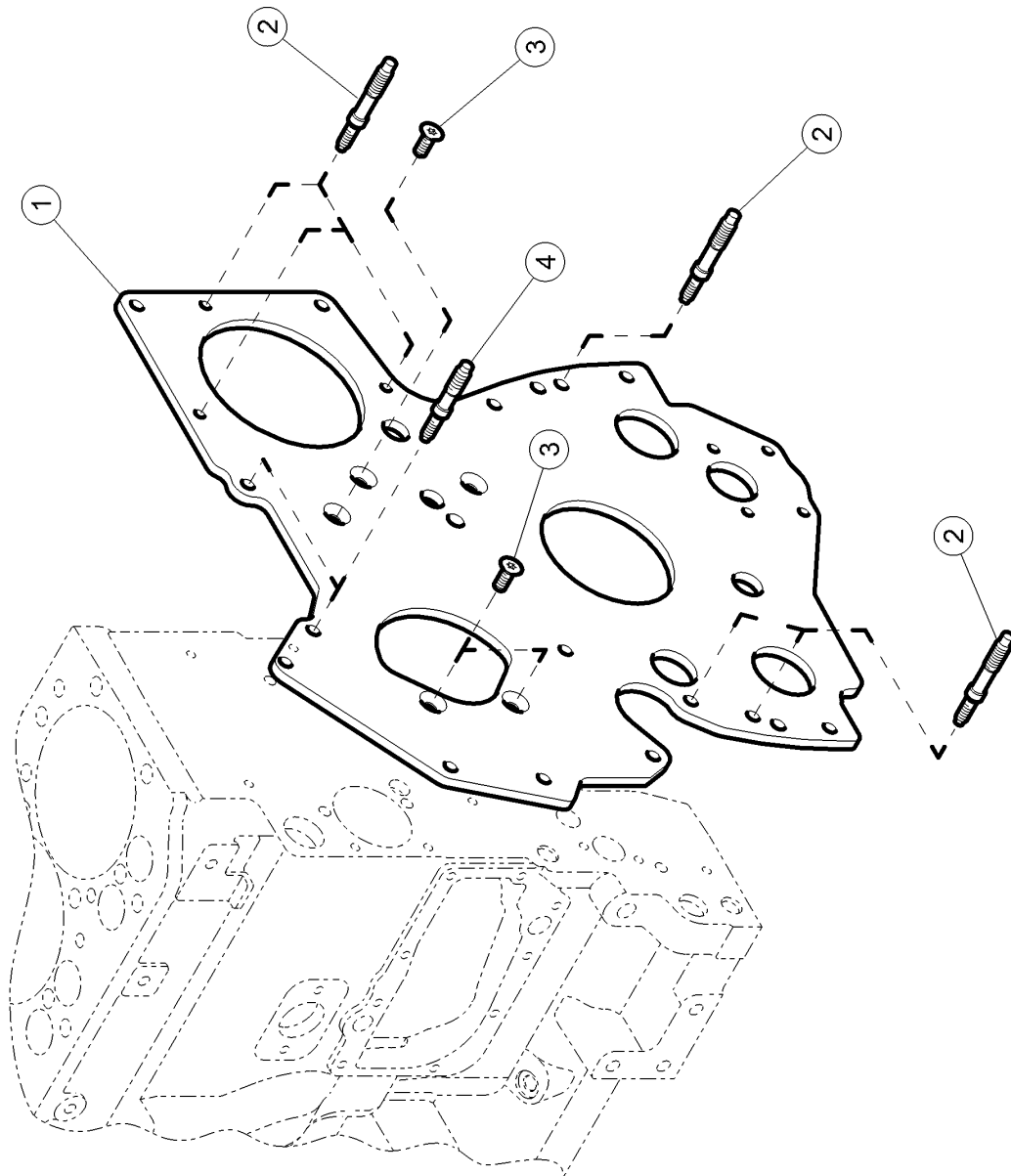
Pos.	Part No.	Description	Dimension	Quantity	Conditions
1	60 0502 143 6	SPRAY NOZZLE		6	
2	60 0501 317 4	CENTRING PIN		2	
3	60 0502 143 9	BLANKING COVER		1	
4	60 0501 294 1	BEARING		1	
5	60 0501 319 8	BLANKING COVER		2	
6	60 0501 319 6	CENTRING PIN		1	
7	60 0501 402 9	VALVE		1	
8	60 0502 869 1	VALVE		1	
9	60 0502 143 7	WASHER	13X22X2,5	14	
10	00 1146 931 0	SET OF SCREWS		7	
11	60 0501 334 1	O-RING		1	
12	60 0501 597 2	BUSHING		1	
13	60 0501 320 3	O-RING		1	
14	60 0501 597 1	LOCK		1	
15	60 0502 339 4	O-RING		1	
16	60 0502 905 2	PLUG		1	
17	00 1141 206 0	PLUG		1	
18	60 0502 665 3	PLUG		1	
19	00 1132 468 0	ELBOW CONNECTOR		1	



01 35 180

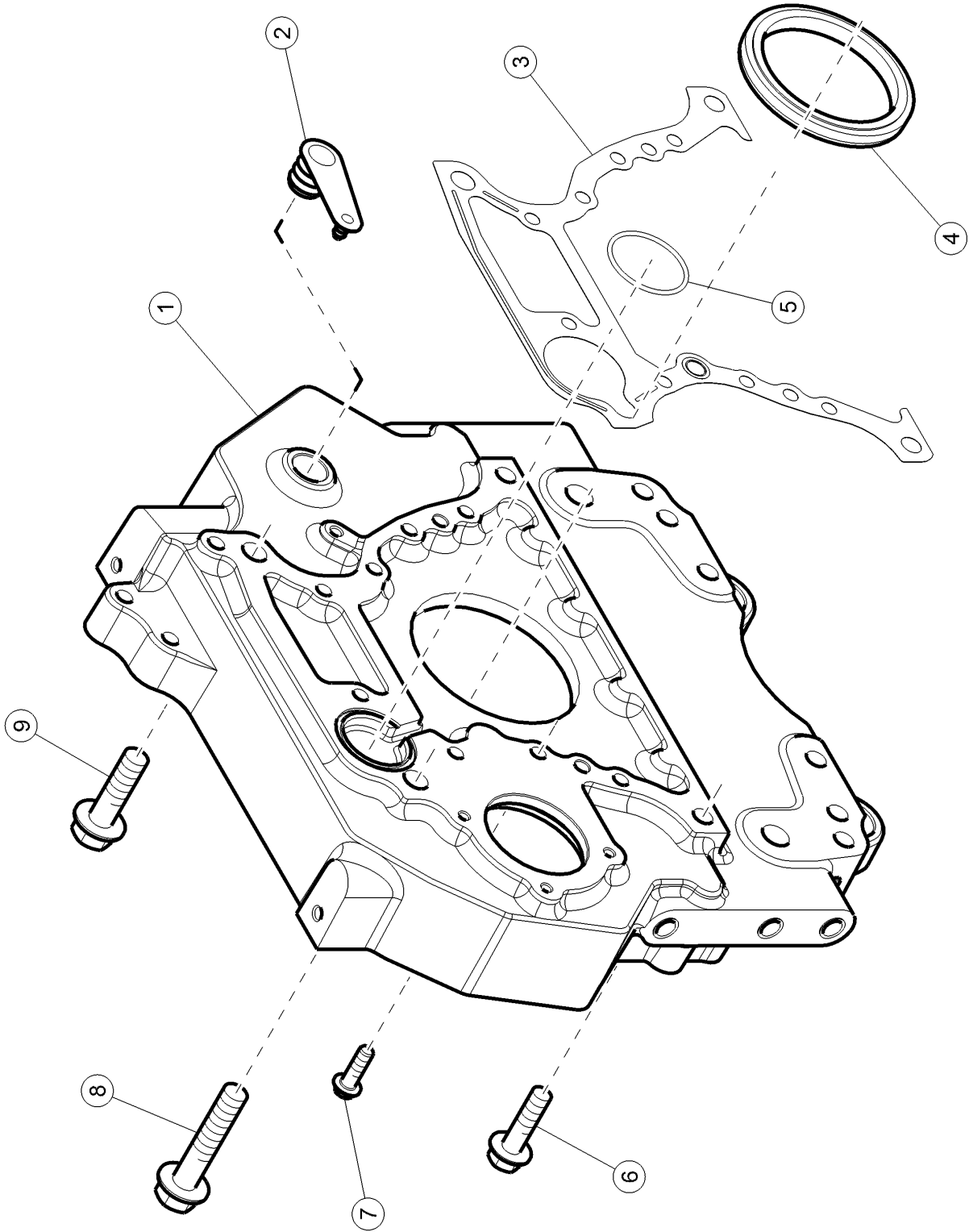
120 TIMING CASE

Pos.	Part No.	Description	Dimension	Quantity	Conditions
1	00 1162 415 0	CASING		1	
2	00 1162 416 0	FLAT SEAL		1	
3	60 0502 145 6	SCREW	M8X25	1	
4	00 1132 471 0	SUPPORT		1	
5	60 0502 716 2	SCREW	M10X45-LH	4	
6	60 0502 593 6	SCREW	M8X50	5	
7	60 0502 144 9	NUT		9	
8	60 0502 160 3	LOCK	M22X1,5	1	
9	60 0502 145 0	SCREW	M08X60	3	
10	00 1141 365 0	SEAL RING		1	
11	60 0500 796 4	O-RING	37,69 X 3,53 NBR 80	1	



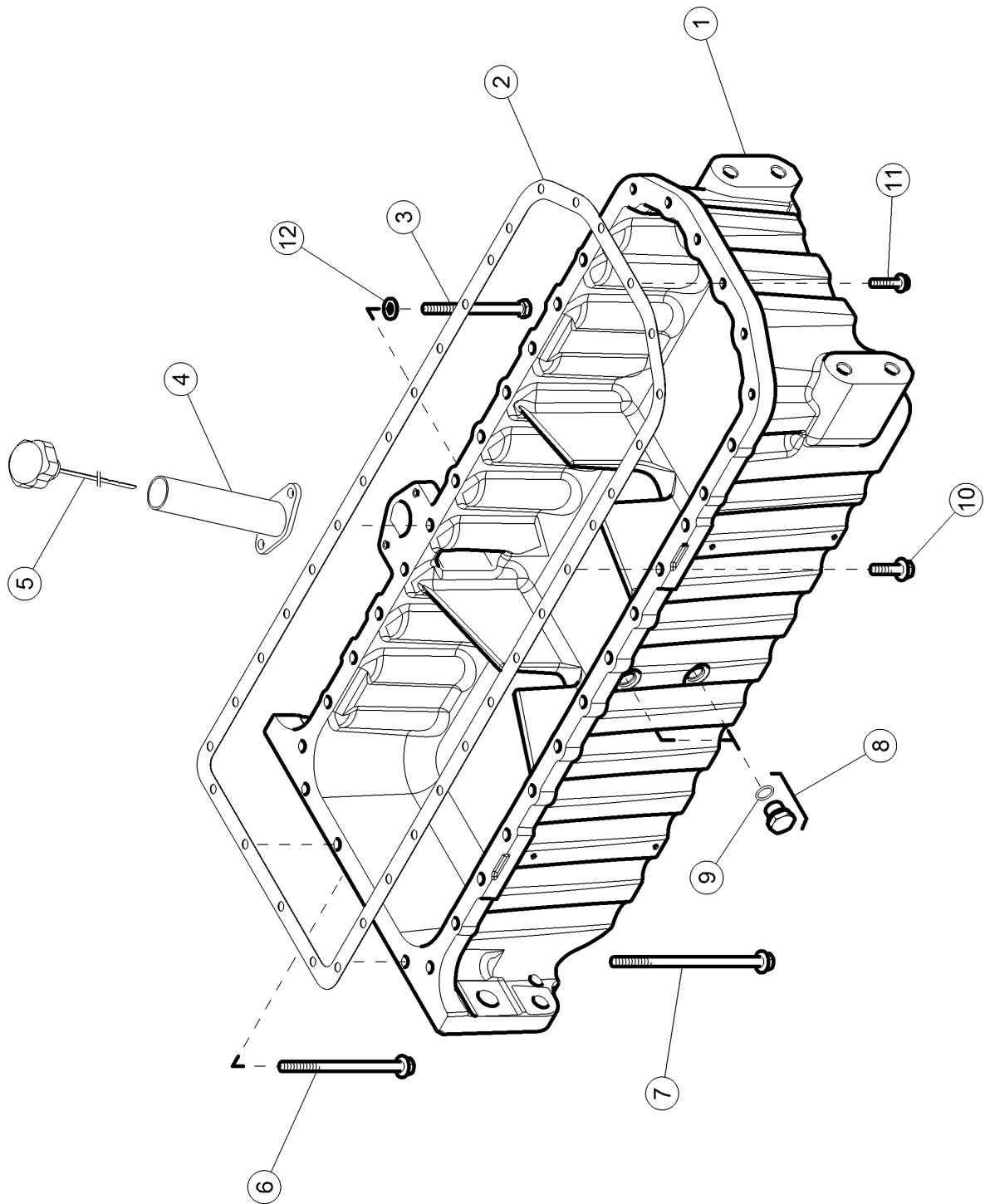
120 TIMING CASE

Pos.	Part No.	Description	Dimension	Quantity	Conditions
1	00 1160 233 0	PLATE		1	
2	00 1132 473 0	STUD BOLT		7	
3	60 0502 339 7	SCREW		5	
4	60 0502 339 8	STUD BOLT		2	



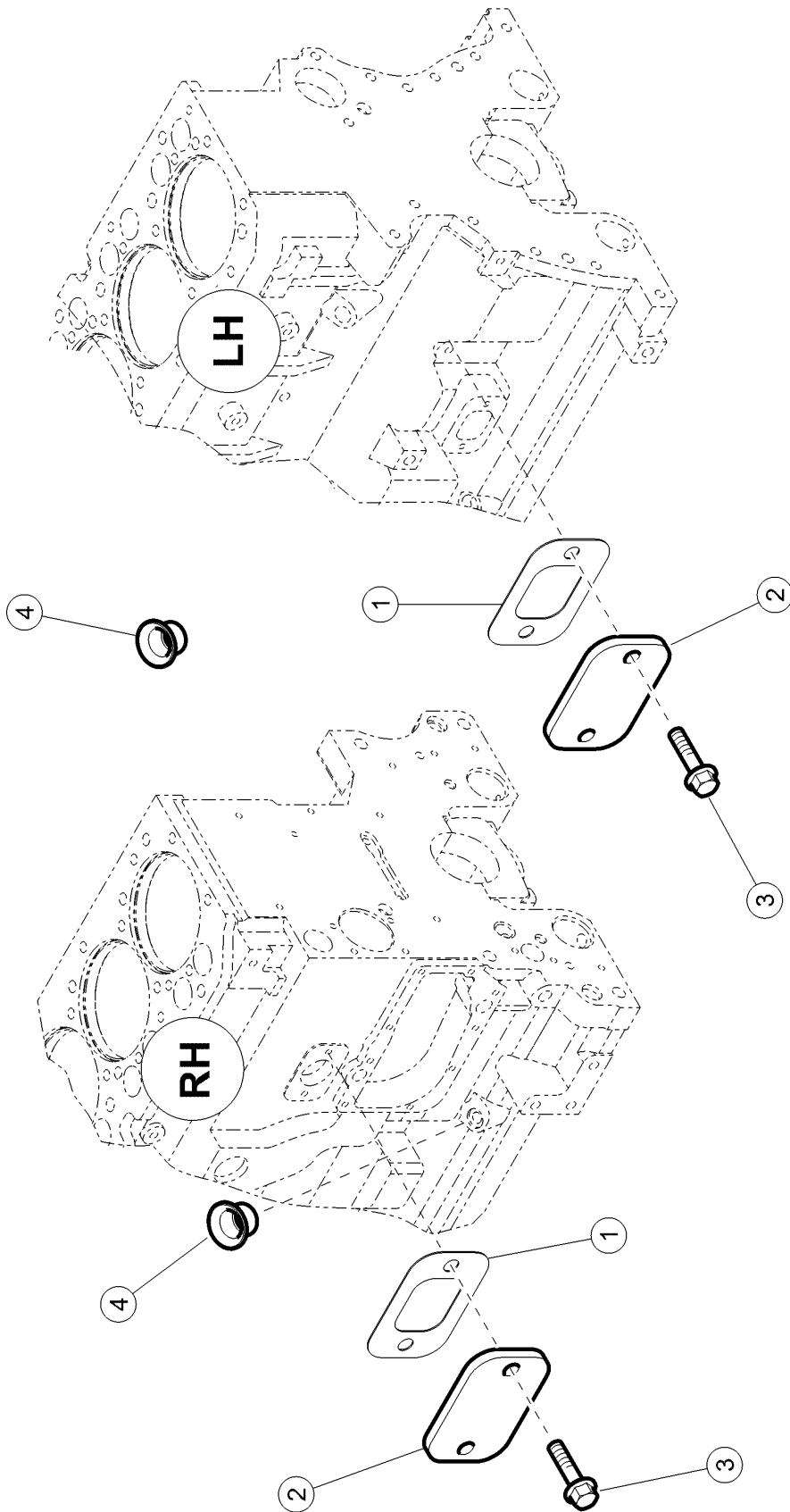
140 FLYWHEEL HOUSING

Pos.	Part No.	Description	Dimension	Quantity	Conditions
1	77 0007 440 4	CARTER VOLANT MOTEUR		1	
2	60 0501 611 6	BLANKING COVER		1	
3	77 0005 577 1	GASKET		1	
4	00 1145 360 0	LIP SEAL		1	
5	60 0501 604 9	O-RING		1	
6	60 0502 777 3	SCREW	M16X60	2	
7	60 0502 625 8	SCREW	12 X 1,75 -37 - M12X40 M20X100	8	
8	00 1132 477 0	SCREW		1	
9	00 1132 476 0	SCREW		1	



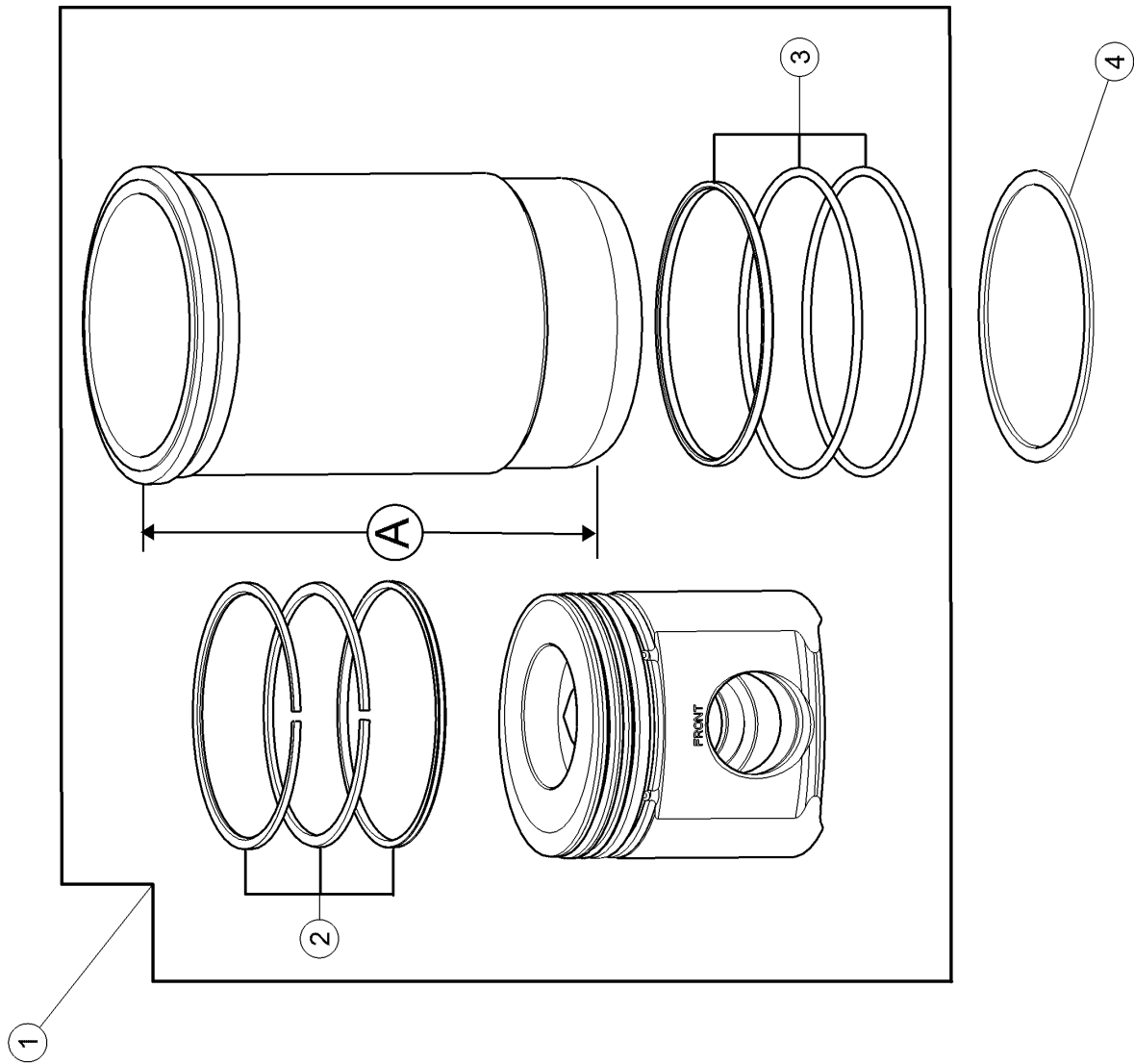
160 OIL PAN

Pos.	Part No.	Description	Dimension	Quantity	Conditions
1	00 1145 558 0	BOX		1	
2	60 0502 666 6	GASKET		1	
3	60 0502 147 1	SCREW		2	
4	60 0502 942 0	TUBE		1	
5	00 1131 807 0	GAUGE		1	
6	00 1132 474 0	SCREW		2	
7	00 1132 475 0	SCREW		2	
8	60 0502 160 7	PLUG	F-M18X1,5 ERS.D.7700054	2	
9	60 0502 160 8	O-RING	15,3X2,2-N	2	
10	60 0502 165 4	SCREW	M10X35	24	
11	60 0502 144 4	SCREW	M8X35	6	
12	77 0305 307 5	WASHER	10,4 X 20 X 2	2	



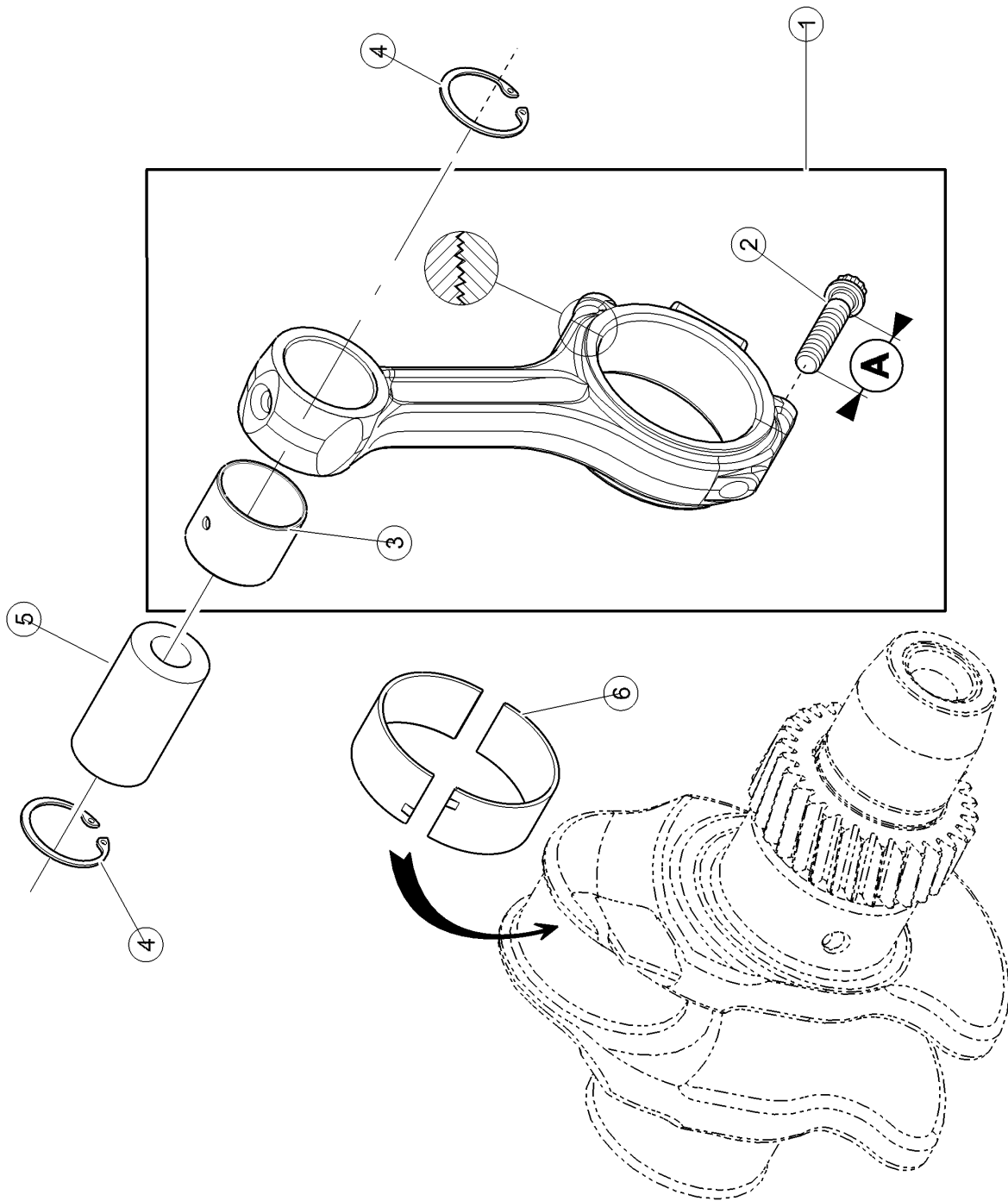
180 PLUGS

Pos.	Part No.	Description	Dimension	Quantity	Conditions
1	60 0502 470 4	GASKET		2	
2	60 0502 470 2	PLATE		2	
3	60 0502 149 8	SCREW	M8X20	4	
4	60 0502 662 4	PLUG		2	



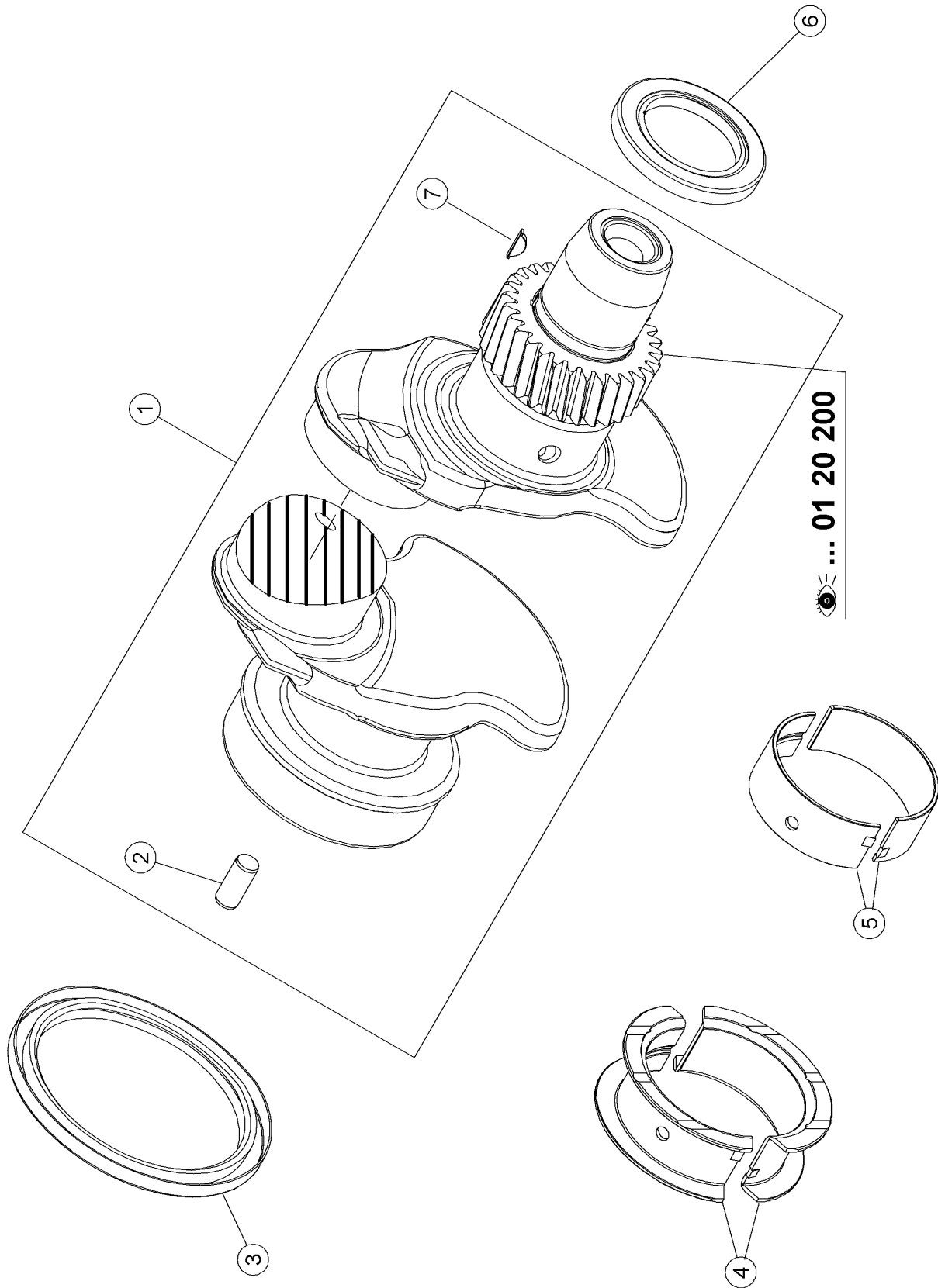
100 CYLINDER LINER, PISTON

Pos.	Part No.	Description	Dimension	Quantity	Conditions
1	00 1132 479 0	CYLINDER/RAM		6	
2	00 1132 481 0	PISTON RING SET		6	
3	60 0501 280 9	SEALING RING SET		6	
4	60 0501 281 5	ADJUSTING DISC		6	1)
4	60 0501 281 6	ADJUSTING DISC		6	2)
1)	Remarks		[SR]EP.0.05MM		
2)	Remarks		[SR]EP.0.10MM		



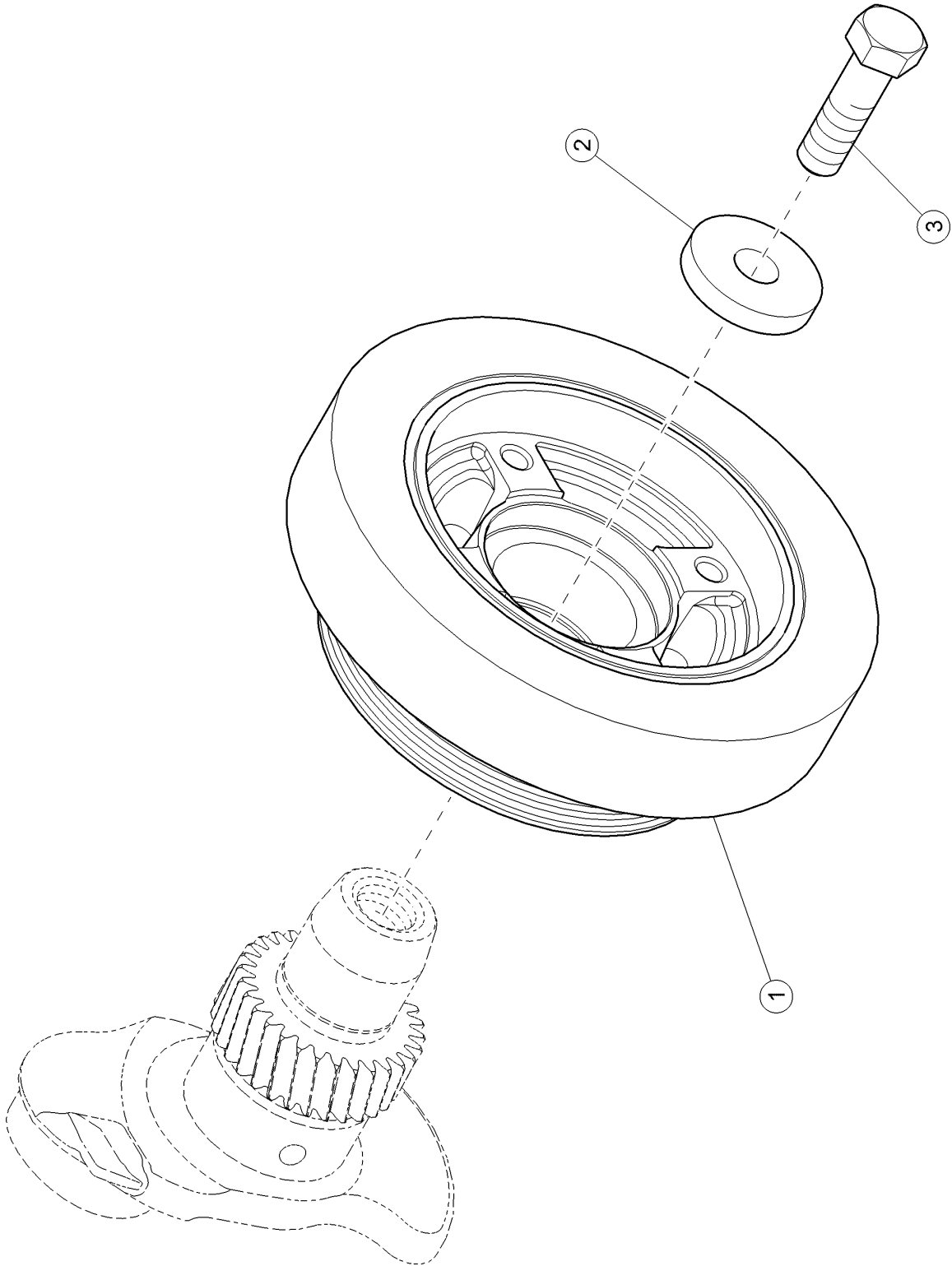
120 CONNECTING ROD, CONNECTING ROD BEARINGS

Pos.	Part No.	Description	Dimension	Quantity	Conditions
1	60 0502 453 6	CONNECTING ROD		6	
2	60 0502 453 7	SCREW	12 PTS M12 X 1,25 - 61	12	
3	60 0502 147 6	RING		6	
4	60 0501 281 4	INNER CIRCLIP		12	
5	00 1132 482 0	AXLE		6	
6	60 0502 147 8	BEARING		6	
6	60 0502 147 9	BEARING		6	1)
1)	Remarks		-0.254MM		



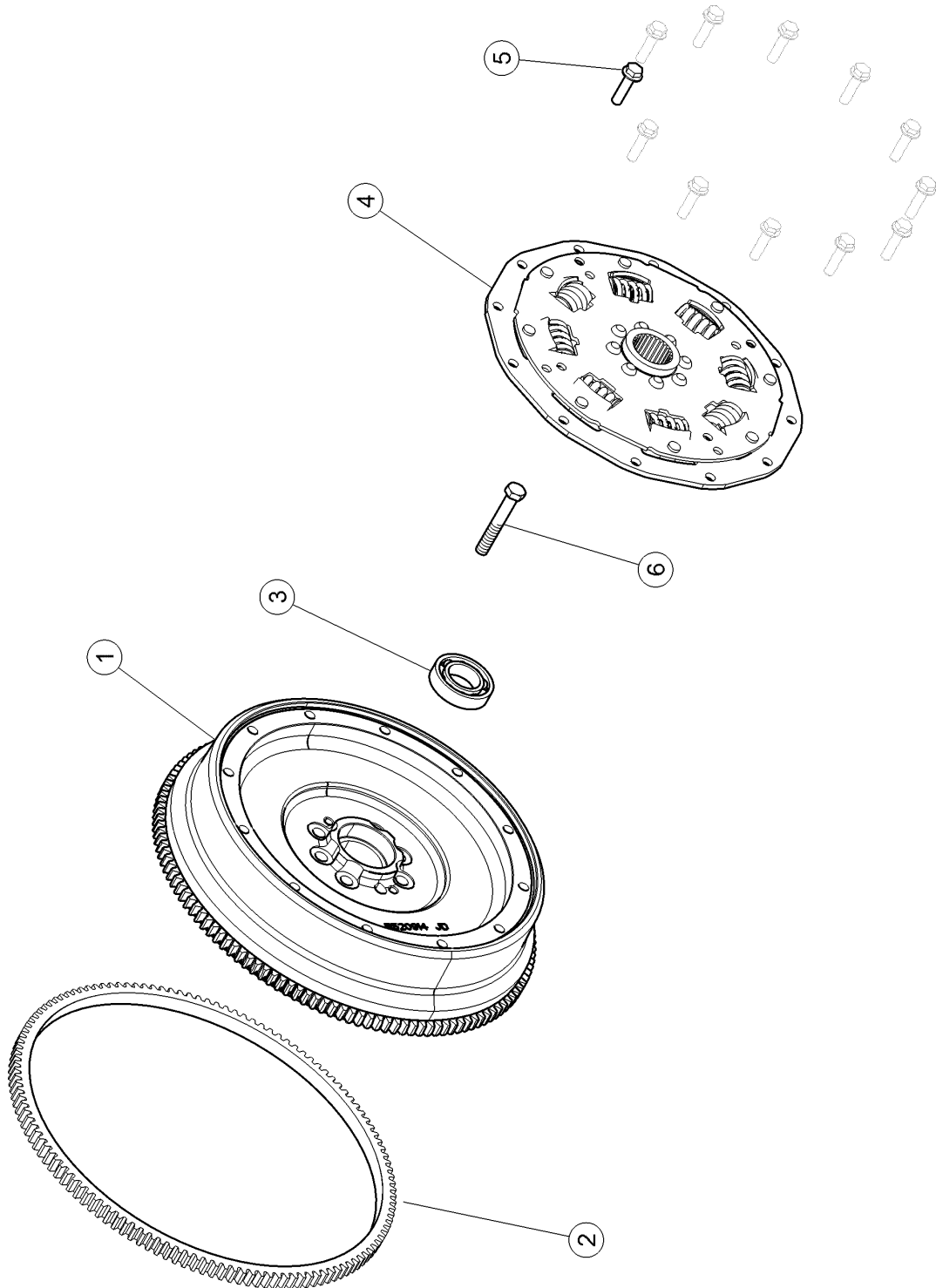
140 CRANKSHAFT

Pos.	Part No.	Description	Dimension	Quantity	Conditions
1	60 0502 869 6	CRANKSHAFT		1	
2	60 0501 317 4	CENTRING PIN		1	
3	00 1145 360 0	LIP SEAL		1	
4	60 0502 148 1	BEARING		1	
4	60 0502 148 2	BEARING		1	1)
5	60 0502 148 3	BEARING		6	
5	60 0502 148 4	BEARING		6	1)
6	00 1141 365 0	SEAL RING		1	
7	60 0502 869 7	KEY		1	
1)	Remarks				-0.254MM



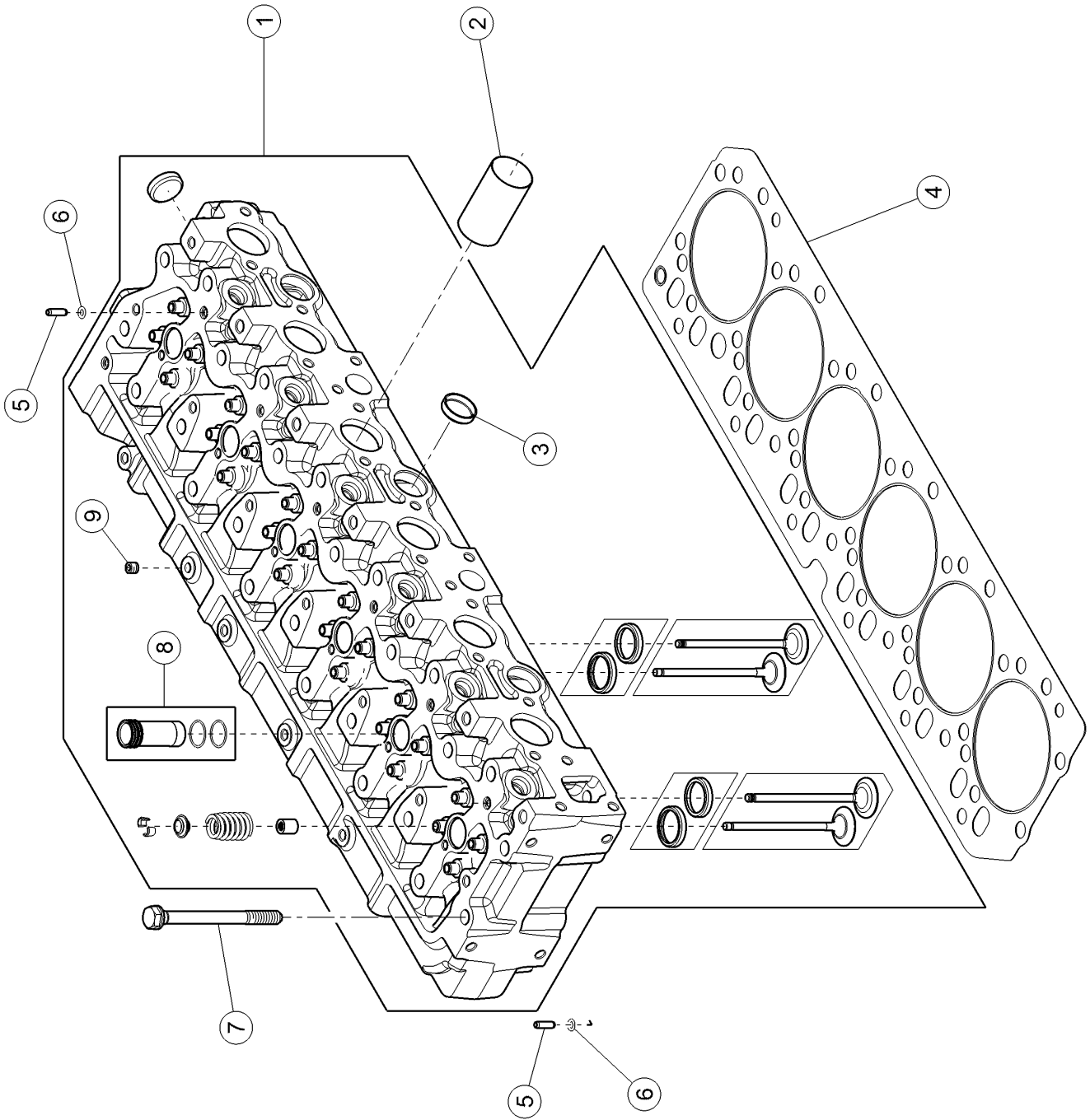
160 CRANKSHAFT PULLEY WHEEL

Pos.	Part No.	Description	Dimension	Quantity	Conditions
1	00 1137 796 0	PULLEY		1	
2	60 0503 045 1	SPACER		1	
3	60 0502 866 8	SCREW	M20X70	1	



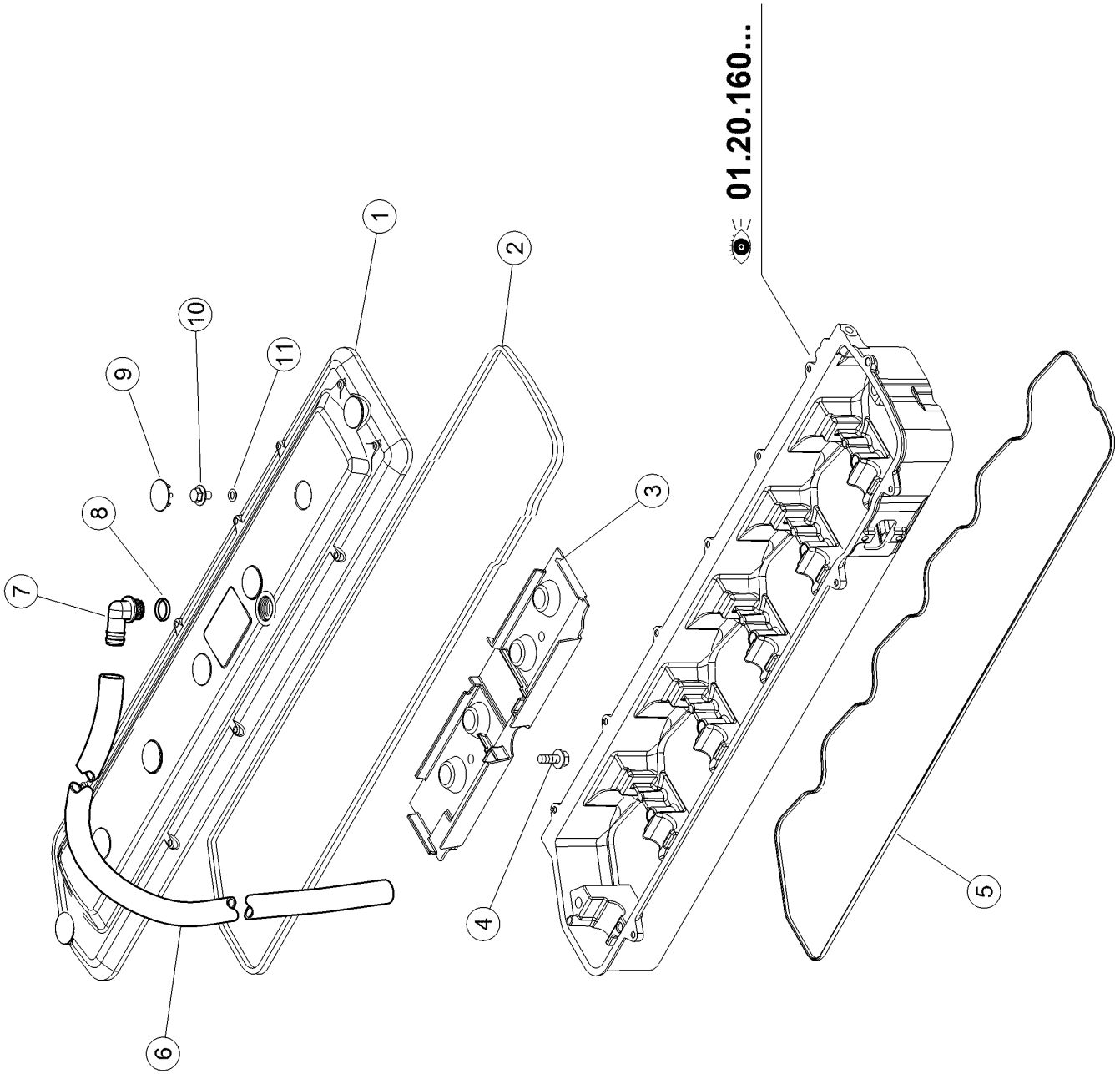
220 FLYWHEEL

Pos.	Part No.	Description	Dimension	Quantity	Conditions
1	77 0007 440 5	FLYWHEEL		1	
2	77 0004 531 5	TOOTHED RIM		1	
3	07 7062 062 3	BEARING-1 BALL		1	
4	00 2189 987 0	HUB		1	
5	77 0005 997 8	HEXAGON HEAD BOLT	M10X40	12	
6	00 1135 310 0	SCREW		6	



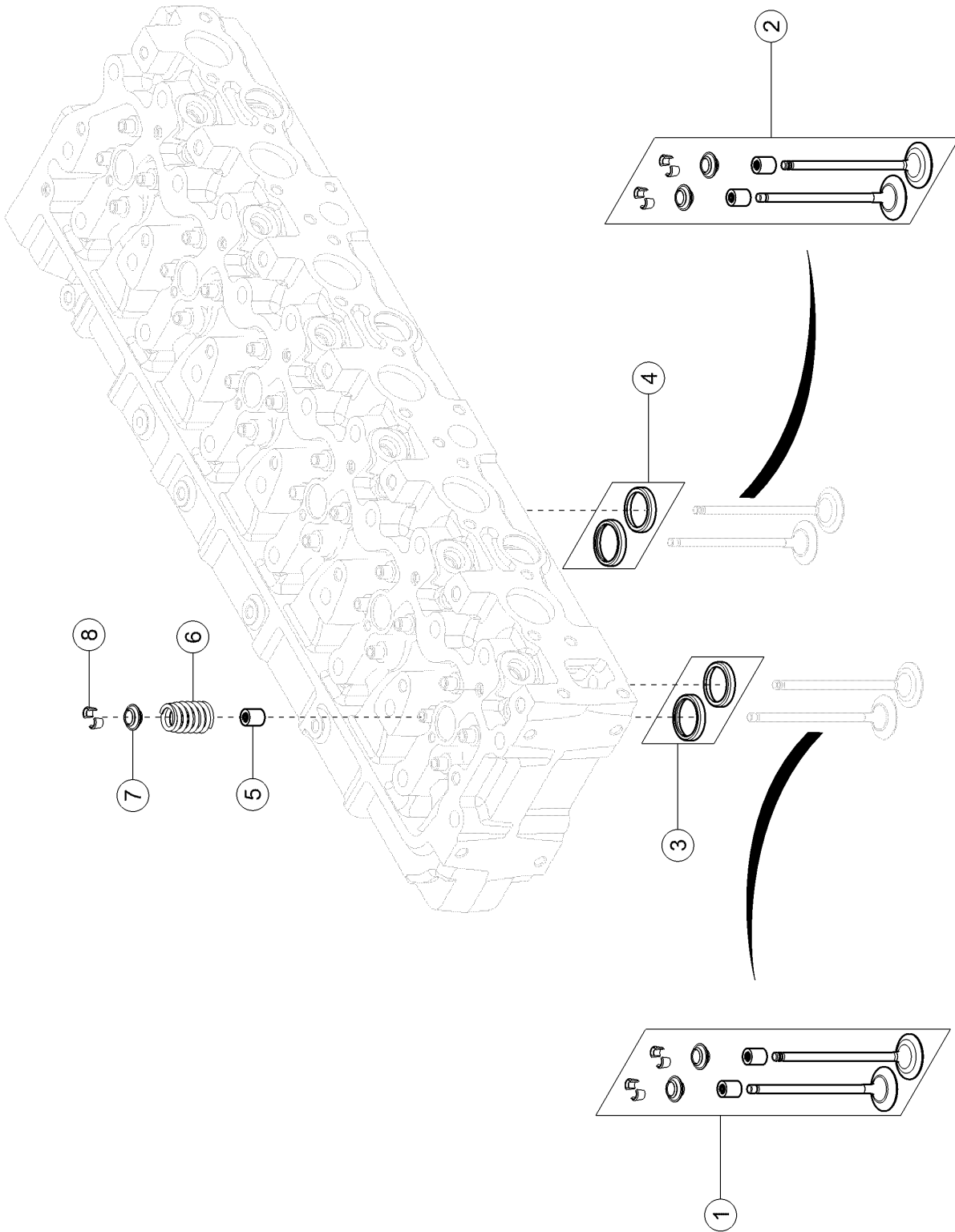
100 CYLINDER HEAD

Pos.	Part No.	Description	Dimension	Quantity	Conditions
1	00 1164 535 0	CYLINDER HEAD		1	
2	00 1132 502 0	LINER		6	
3	60 0501 288 3	LOCK		4	
4	00 1146 047 1	CYLINDER HEAD GASKET	94*32*3	1	1)
5	00 1132 503 0	PIN		2	
6	00 1145 929 0	O-RING		7	
7	00 1145 541 0	SCREW	1/2-13UNC-2AX5 1/3	26	
8	00 1142 367 0	LINER		6	
9	00 1141 206 0	PLUG		1	
1)	Remarks	=> SI 12039			



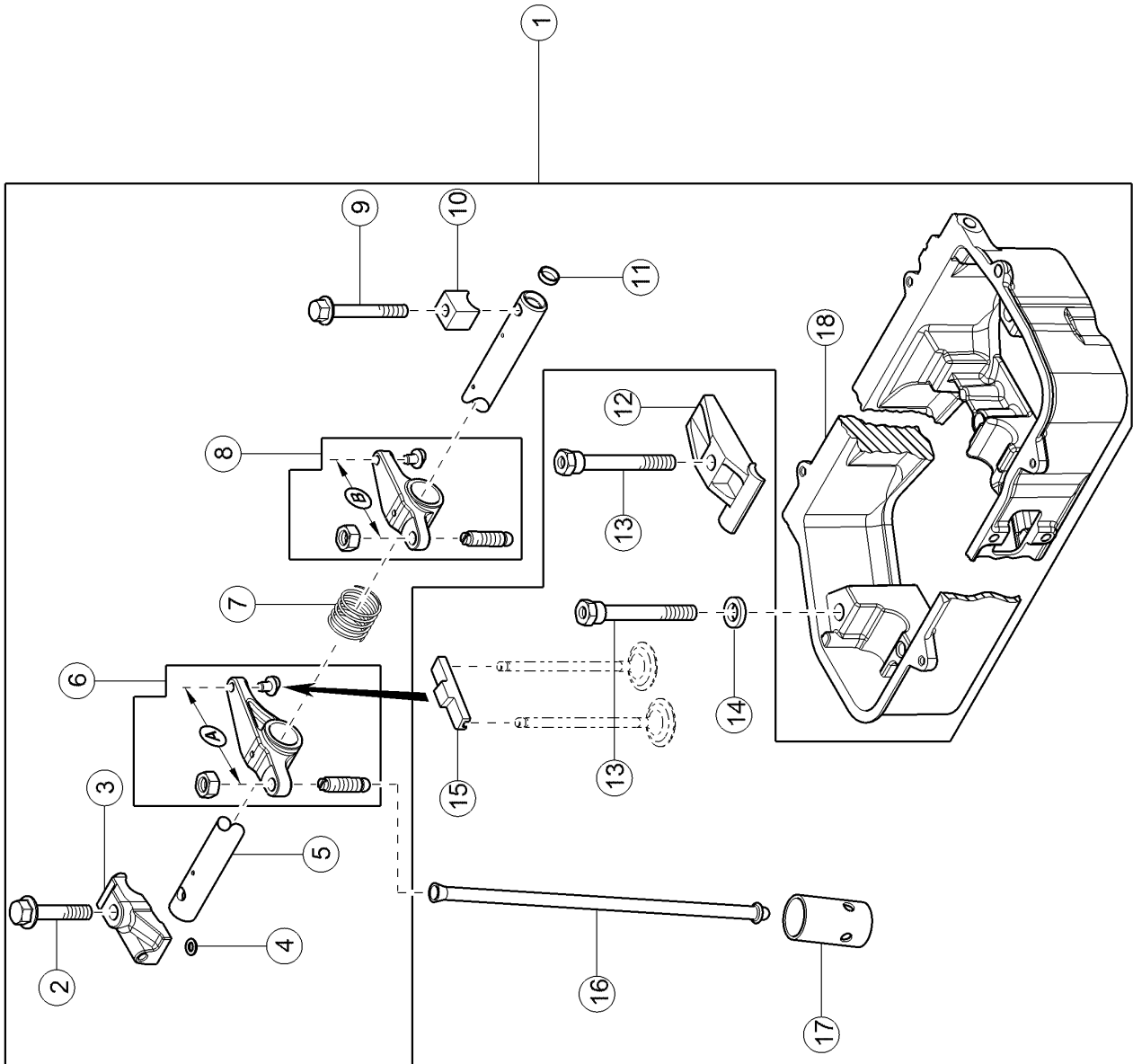
120 CYLINDER HEAD COVER

Pos.	Part No.	Description	Dimension	Quantity	Conditions
1	00 1133 936 0	ROCKER COVER		1	
2	00 1137 973 0	SEALING RING		1	
3	00 1132 508 0	DEFLECTOR		1	
4	60 0502 144 8	SCREW	M6X16	2	
5	00 1131 838 0	SEALING RING		1	
6	60 0503 048 0	HOSE		1	
7	00 1133 935 0	ELBOW		1	
8	60 0502 160 4	O-RING	19X2.4	1	
9	60 0502 134 4	PLUG		7	
10	60 0502 594 5	SCREW		7	
11	60 0502 134 7	O-RING	W.ERS. D. 0219 147.0	7	



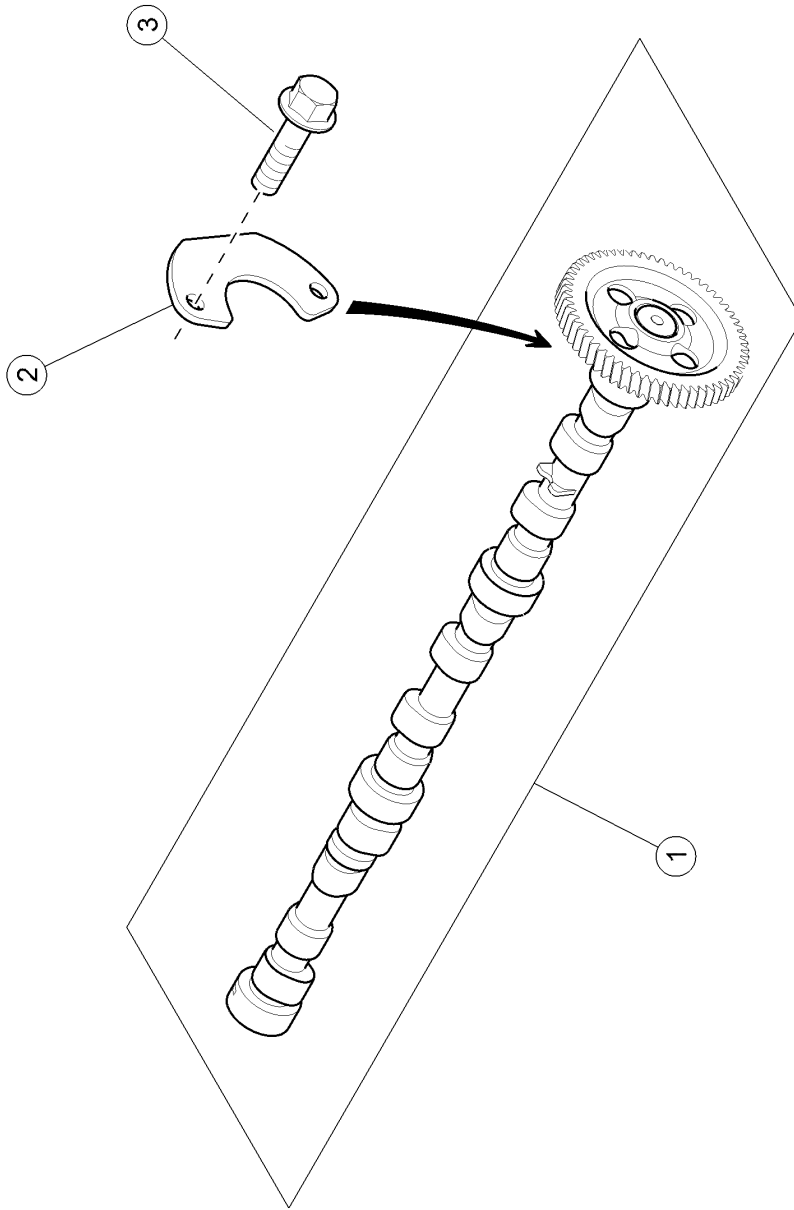
140 VALVES

Pos.	Part No.	Description	Dimension	Quantity	Conditions
1	00 1148 701 0	VALVE		6	1)
2	00 1148 700 0	VALVE		6	2)
3	00 1132 513 0	VALVE SEAT		6	1)
4	00 1132 514 0	VALVE SEAT		6	2)
5	00 1139 912 0	SEALING RING		24	
6	00 1132 517 0	SPRING		24	
7	00 1132 518 0	WASHER		24	
8	00 1132 520 0	HALF-CONE		24	
<hr/>					
1)	Remarks		Echapt		
<hr/>					
2)	Remarks		Adm.		
<hr/>					



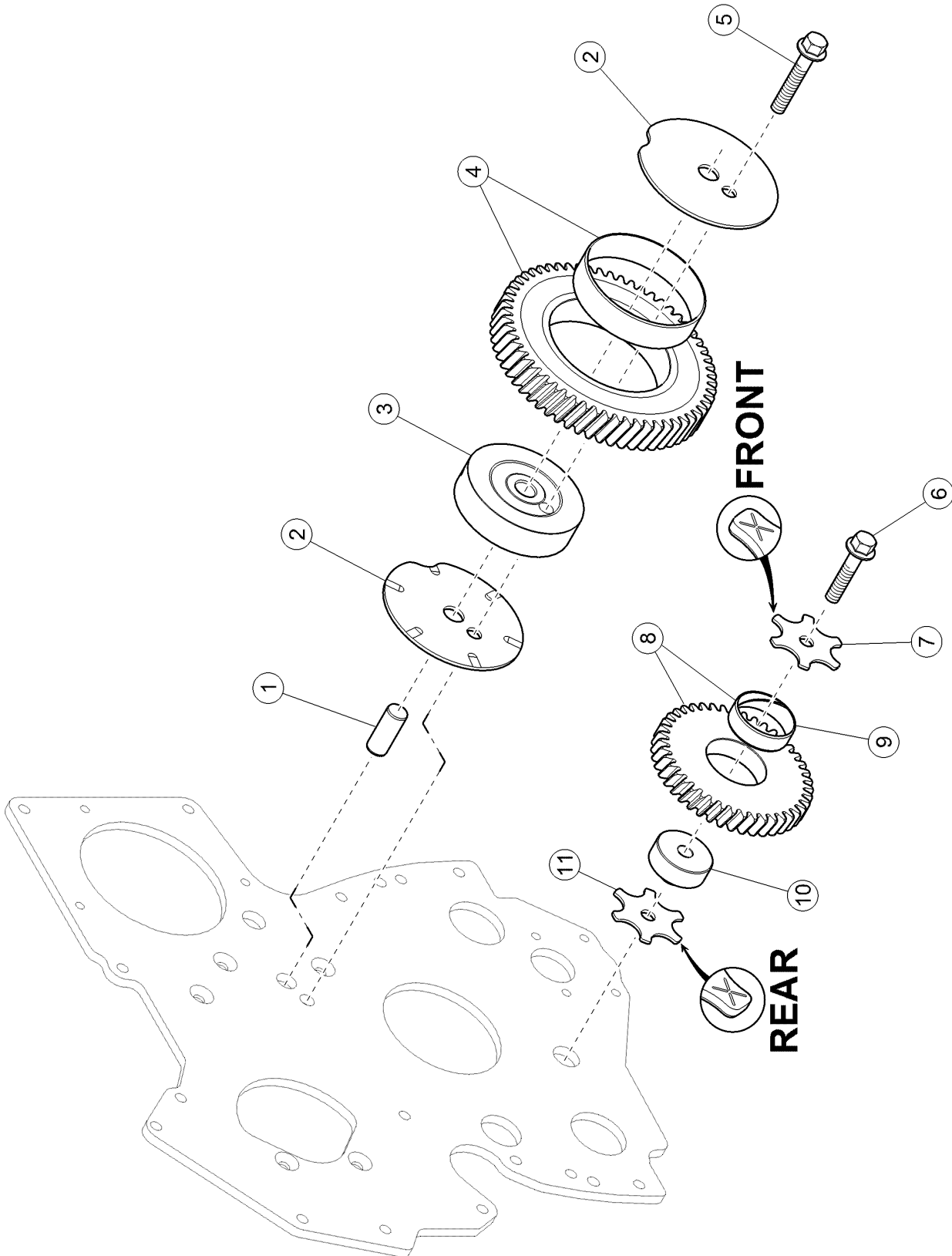
160 ROCKER ARM

Pos.	Part No.	Description	Dimension	Quantity	Conditions
1	00 1137 651 0	HOUSING		1	
2	60 0502 152 1	SCREW		1	
3	00 1132 524 0	FLANGE		1	
4	00 1145 929 0	O-RING		1	
5	00 1132 526 0	DRIVE SHAFT		1	
6	00 1132 528 0	ROCKER ARM		6	
7	00 1132 530 0	SPRING		6	
8	00 1132 531 0	ROCKER ARM		6	
9	60 0502 593 6	SCREW	M8X50	1	
10	00 1132 533 0	FLANGE		1	
11	00 1132 534 0	PLUG		2	
12	00 1132 535 0	FLANGE		5	
13	00 1132 536 0	SCREW		7	
14	60 0501 278 2	WASHER		2	
15	00 1132 537 0	TIPPER		12	
16	00 1151 310 0	ROD		12	
17	60 0502 150 7	PUSHROD		12	
18	00 1170 842 0	CASING		1	



180 CAMSHAFT, CAMSHAFT BEARING BUSHES

Pos.	Part No.	Description	Dimension	Quantity	Conditions
1	00 1132 540 0	CAMSHAFT		1	
2	60 0502 151 1	PLATE		1	
3	60 0502 145 6	SCREW	M8X25	2	





Suggest:

For more complete manuals. Please go to the home page.

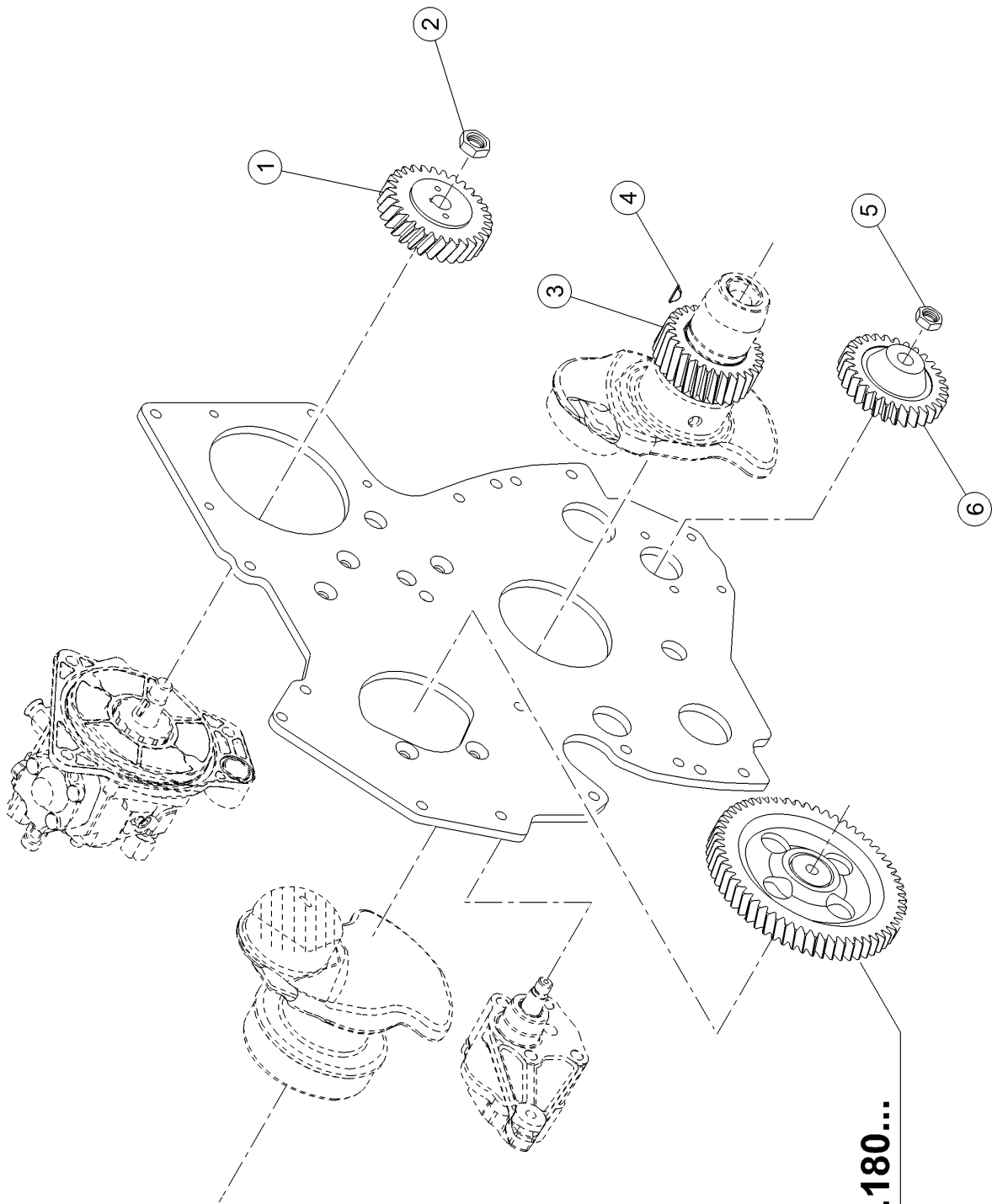
<https://www.ebooklibonline.com>

If the above button click is invalid. Please download this document first, and then click the above link to download the complete manual.

Thank you so much for reading

200 IDLER GEAR

Pos.	Part No.	Description	Dimension	Quantity	Conditions
1	00 1132 541 0	LOCATING PIN		1	
2	00 1132 542 0	WASHER		2	
3	00 1132 543 0	HUB		1	
4	00 1132 544 0	WHEEL		1	
5	60 0502 340 7	SCREW		1	
6	60 0502 152 1	SCREW		1	
7	60 0502 152 2	WASHER		1	
8	60 0502 151 9	WHEEL		1	
9	60 0502 152 0	RING		1	
10	60 0502 152 3	SHAFT		1	
11	60 0501 299 8	WASHER		1	



 **01.20.180...**

<https://www.ebooklibonline.com>

Hello dear friend!

Thank you very much for reading.

Enter the link into your browser.

The full manual is available for immediate download.

<https://www.ebooklibonline.com>