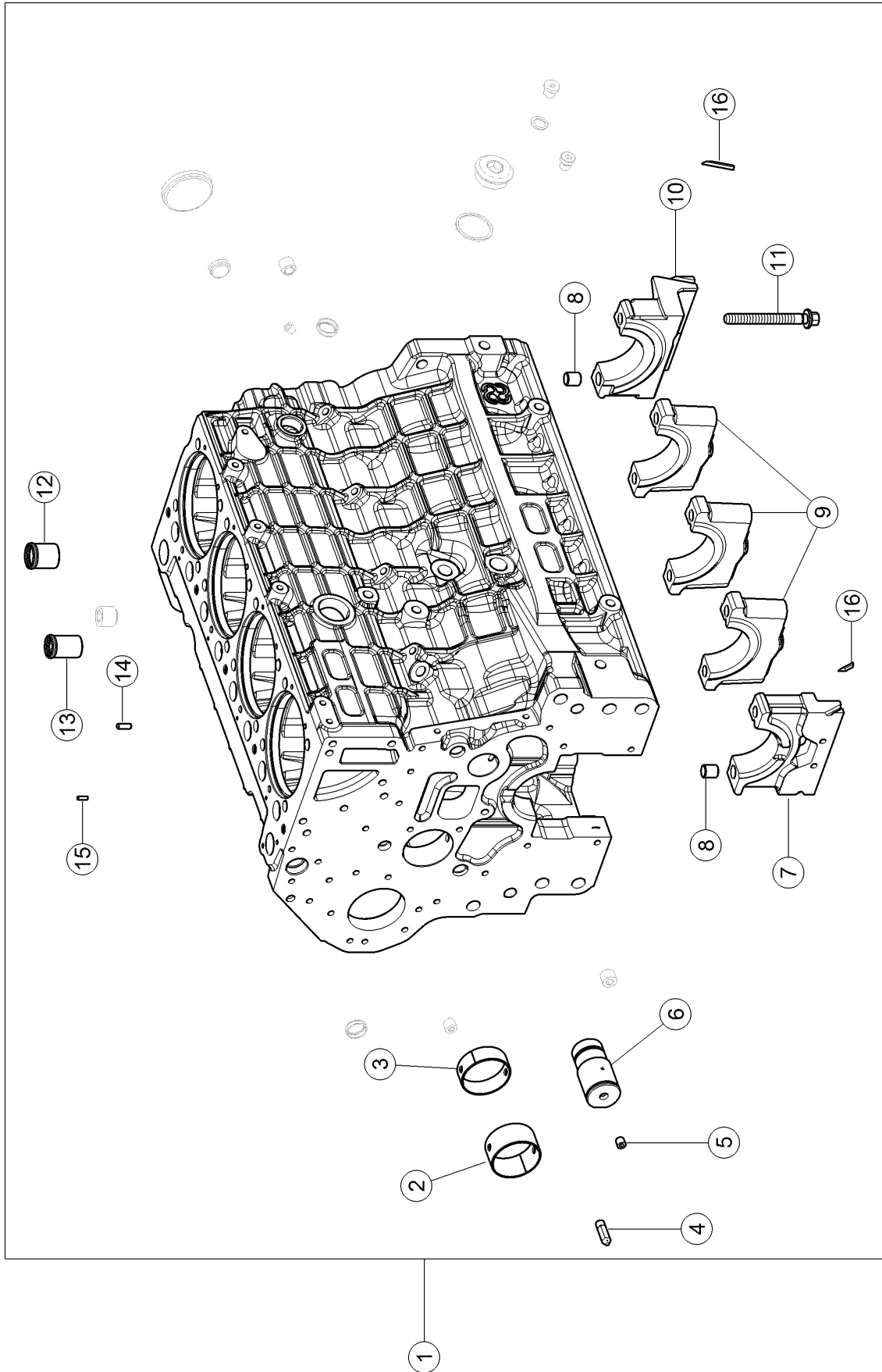


010 COMPLETE ENGINE

Pos.	Part No.	Description	Dimension	Quantity	Conditions
1	00 1158 583 0	ENGINE		1	1)
1	00 1158 585 0	ENGINE		1	2)
1	00 1158 586 0	ENGINE		1	3)
1)	Equipment	TM_P02_0040	84 hp rated output, 88 hp max. output, ECE R 120		
2)	Equipment	TM_P02_0050	97 hp rated output, 102 hp max. output, ECE R 120		
3)	Equipment	TM_P02_0060	103 hp rated output, 109 hp max. output, ECE R 120		



<https://www.ebooklibonline.com>

Hello dear friend!

Thank you very much for reading.

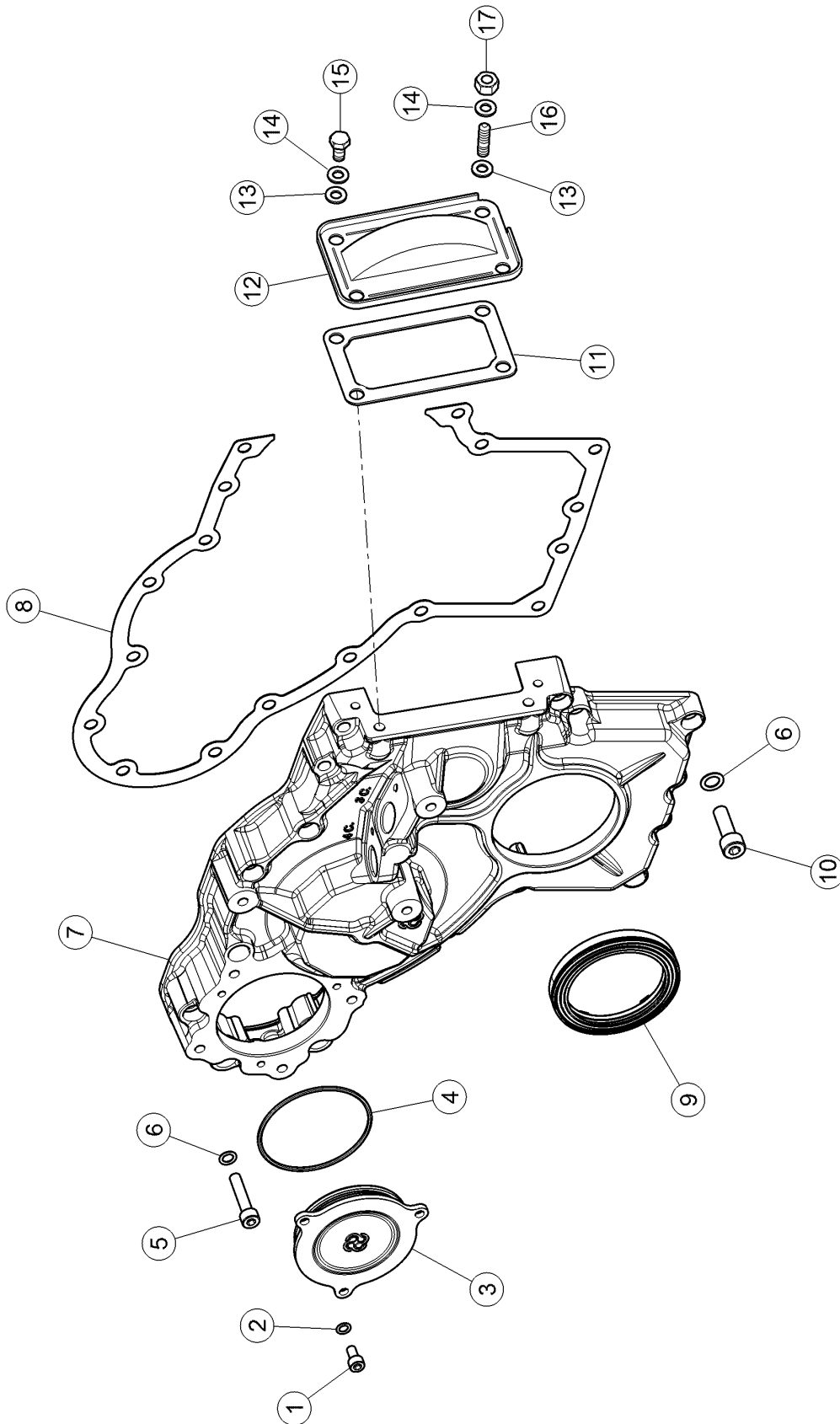
Enter the link into your browser.

The full manual is available for immediate download.

<https://www.ebooklibonline.com>

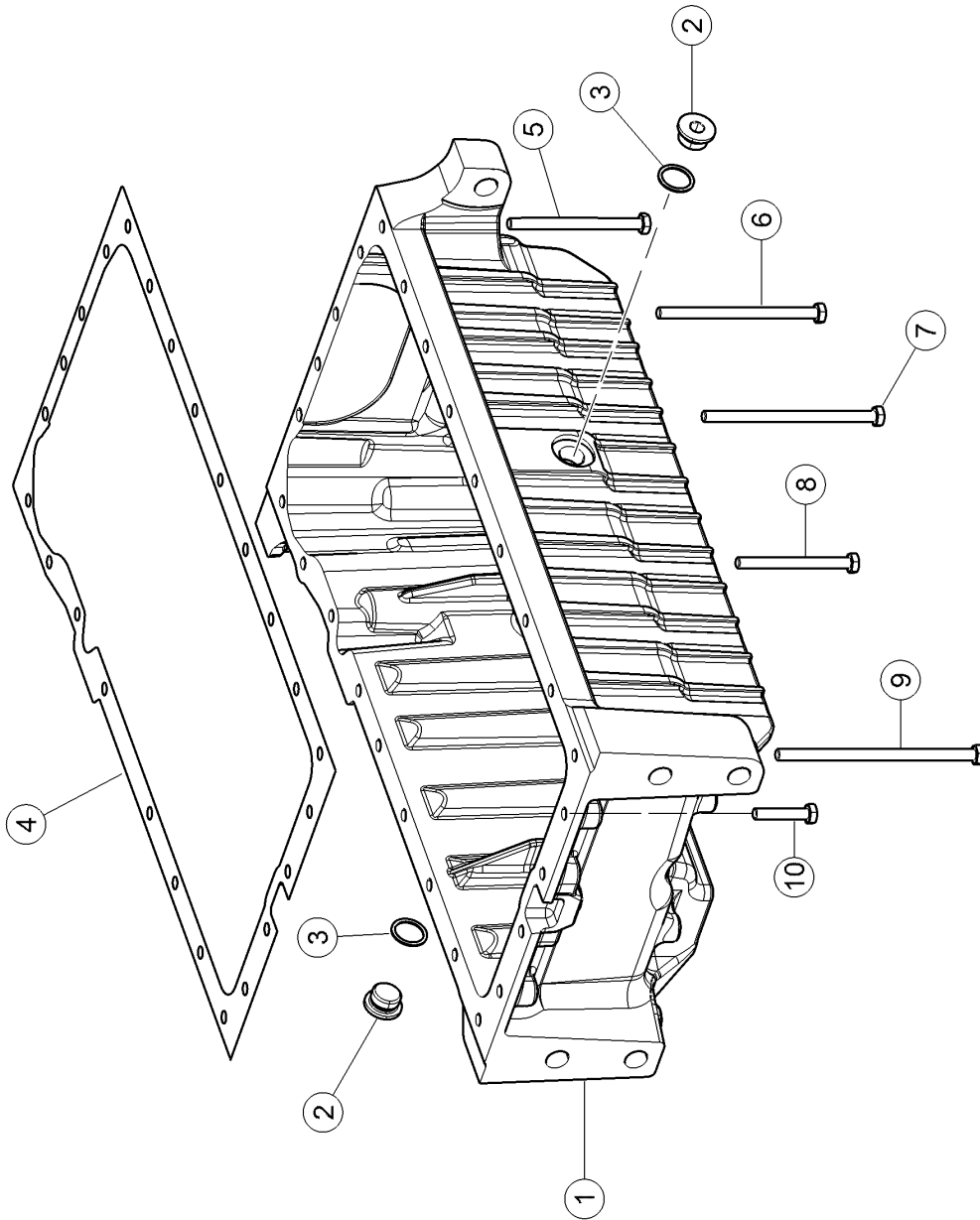
100 CRANKCASE

Pos.	Part No.	Description	Dimension	Quantity	Conditions
1	00 1155 456 0	CRANKCASE		1	
2	00 1155 457 0	BEARING BUSH		1	
3	00 1155 458 0	BEARING BUSH		4	
4	00 1155 459 0	TUBE		1	
5	00 1154 076 0	COVER		1	
6	00 1155 460 0	SHAFT		1	
7	00 1155 461 0	BEARING		1	
8	00 1155 462 0	BUSHING		2	
9	00 1155 463 0	BEARING		3	
10	00 1155 464 0	BEARING		1	
11	00 1163 568 0	SCREW		10	
12	00 1155 466 0	TUBE		1	
13	00 1155 467 0	TUBE		1	
14	00 1155 468 0	PIN		4	
15	00 1155 469 0	PIN		4	
16	00 1155 465 0	GASKET		4	



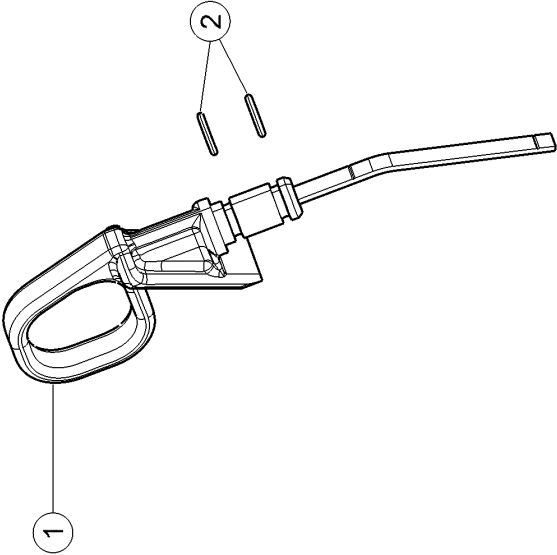
120 TIMING CASE

Pos.	Part No.	Description	Dimension	Quantity	Conditions
1	00 1134 404 0	SCREW		3	
2	77 0305 369 8	WASHER	6,4X12X1,2 ERS.D.236911	3	
3	00 1155 248 0	COVER		1	
4	00 1154 998 0	O-RING		1	
5	77 0300 911 0	SCREW	M8X40 ERS.D.1070512.1	9	
6	79 0305 317 5	WASHER	8X16X1,5 ERS.D.0236912.2	17	
7	00 1155 249 0	CASING		1	
8	00 1155 251 0	FLAT SEAL		1	
9	00 1155 286 0	SEALING RING		1	
10	60 0503 326 9	SCREW		8	
11	00 1155 253 0	FLAT SEAL		1	
12	00 1155 254 0	COVER		1	
13	79 0305 317 5	WASHER	8X16X1,5 ERS.D.0236912.2	4	
14	77 0305 501 1	WASHER	8	4	
15	77 0300 115 8	SCREW	M8X16	2	
16	60 0500 930 4	STUD		2	
17	77 0303 201 8	ECROU HM 8X1,25		2	



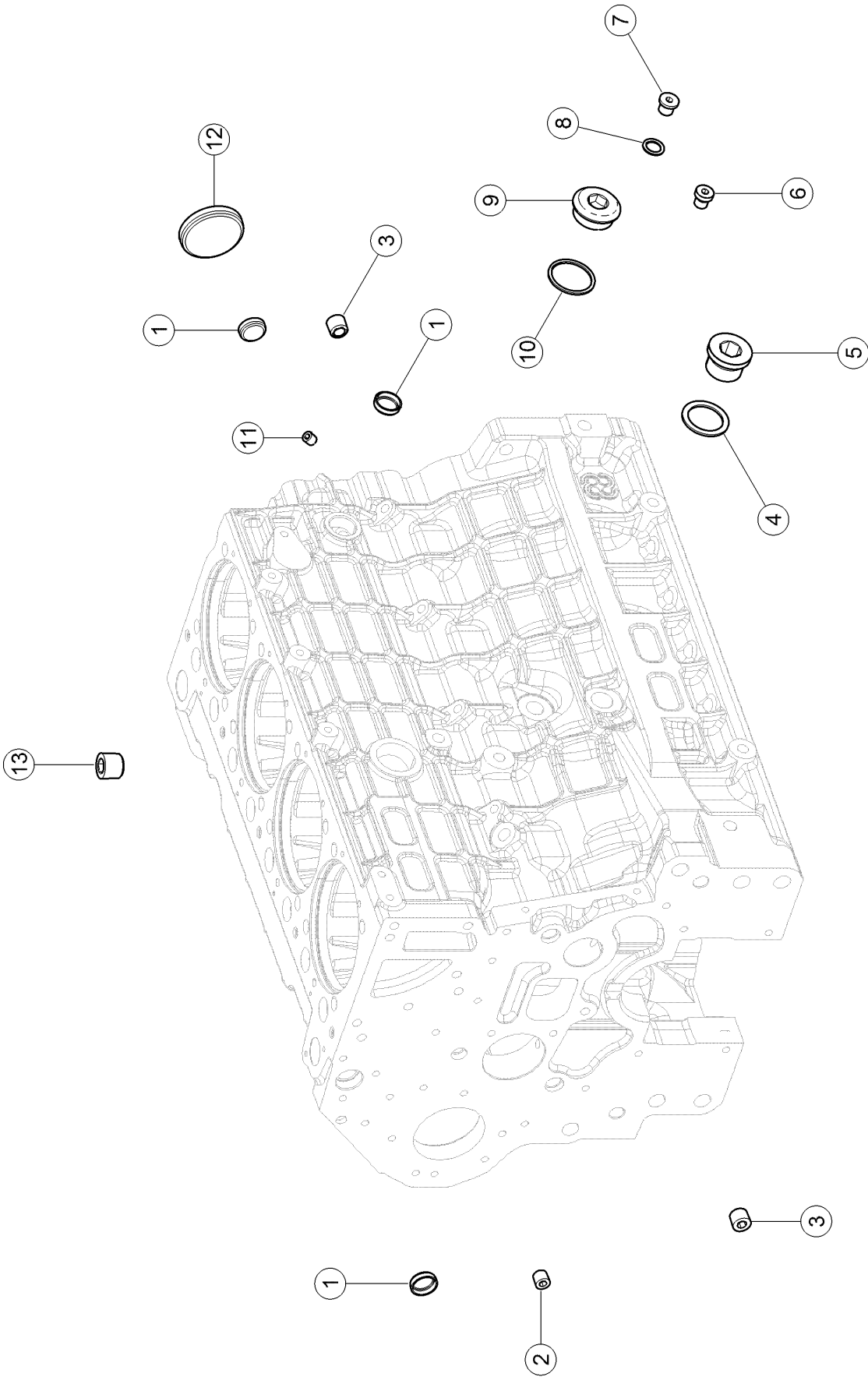
160 OIL PAN

Pos.	Part No.	Description	Dimension	Quantity	Conditions
1	00 1154 054 0	OIL SUMP		1	
2	60 0500 854 0	SCREW PLUG	G1/2A	2	
3	60 0500 930 8	GASKET		2	
4	00 1154 055 0	FLAT SEAL		1	
5	77 0300 117 8	SCREW		2	
6	77 0300 117 9	SCREW	M08X120	3	
7	00 1154 056 0	HEX.HEAD BOLT	M8X130	1	
8	77 0300 117 5	SCREW	M 8X85	1	
9	00 1154 057 0	STD SCREW		2	
10	77 0300 116 7	SCREW	M 8X40 ERS.D. 238125.0	17	



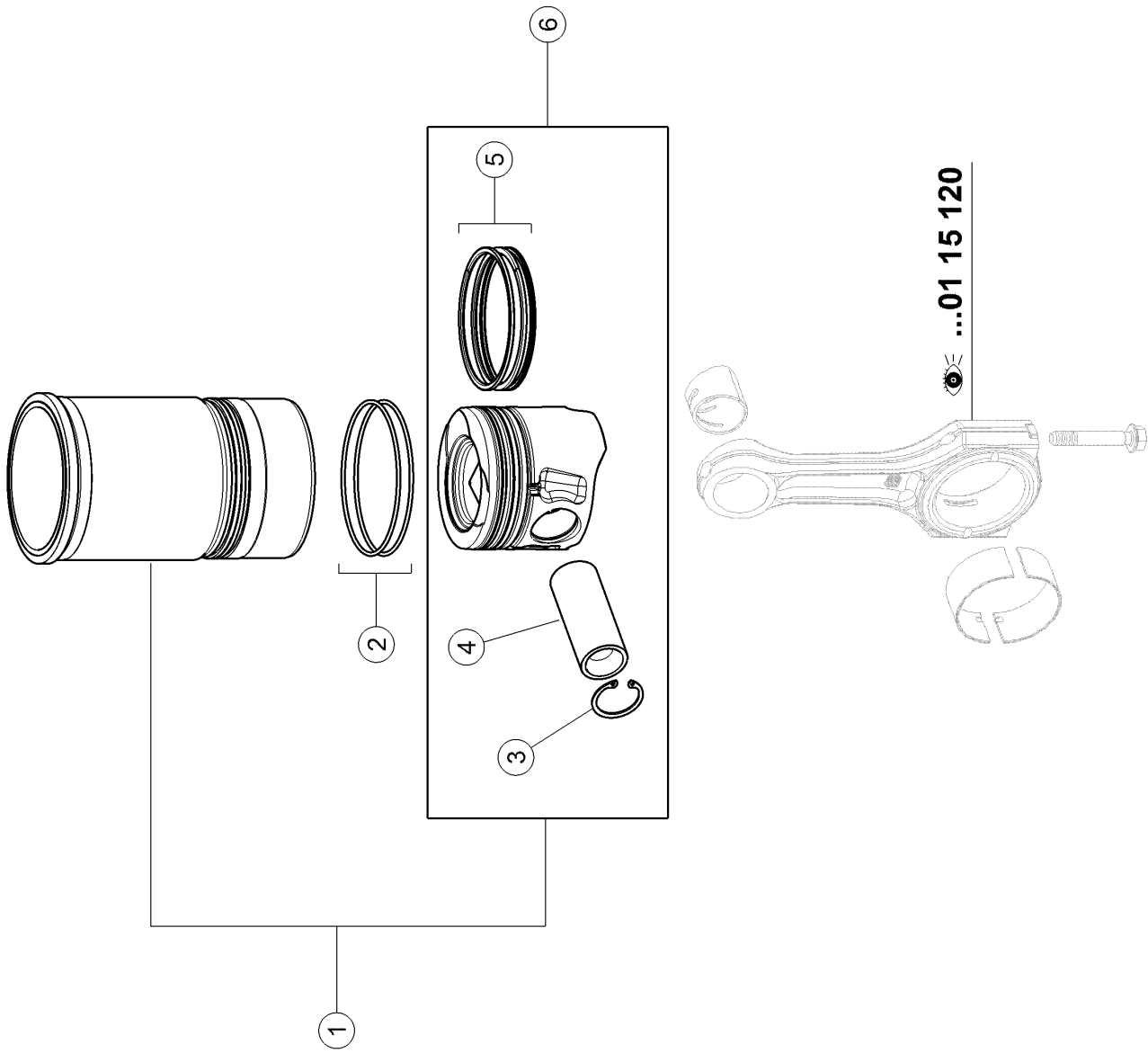
160 OIL PAN

Pos.	Part No.	Description	Dimension	Quantity	Conditions
1	00 1154 058 0	GAUGE		1	
2	77 0306 505 2	O-RING		2	



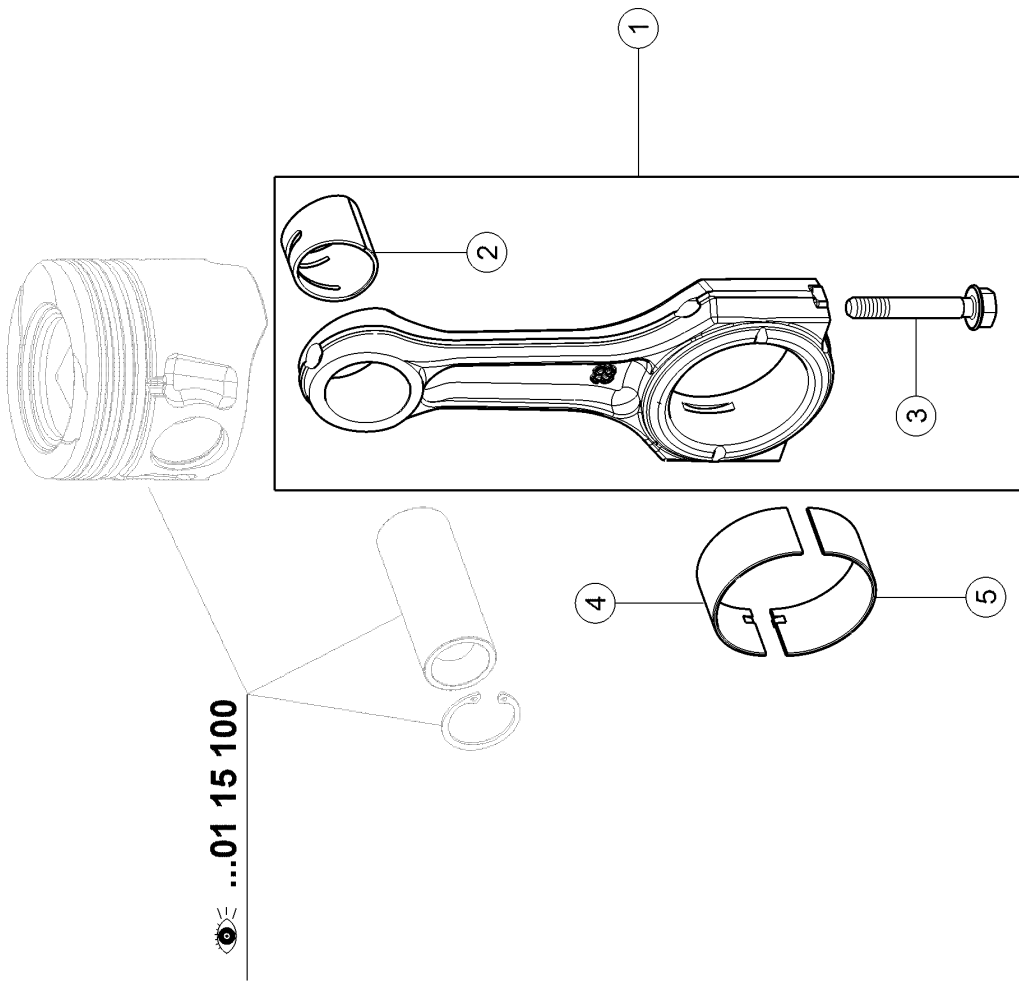
180 PLUGS

Pos.	Part No.	Description	Dimension	Quantity	Conditions
1	00 1154 077 0	BLANKING COVER		5	
2	00 1155 470 0	COVER		2	
3	00 1155 471 0	COVER		4	
4	00 1154 146 0	GASKET		1	
5	00 1154 147 0	COVER		1	
6	00 1155 472 0	COVER		1	
7	00 1155 473 0	COVER		1	
8	60 0502 807 6	FLAT SEAL RING	A 14X20X1,5	1	
9	00 1155 474 0	COVER		1	
10	00 1155 475 0	GASKET		1	
11	00 1154 076 0	COVER		1	
12	00 1155 476 0	BLANKING COVER		1	
13	00 1155 477 0	COVER		3	



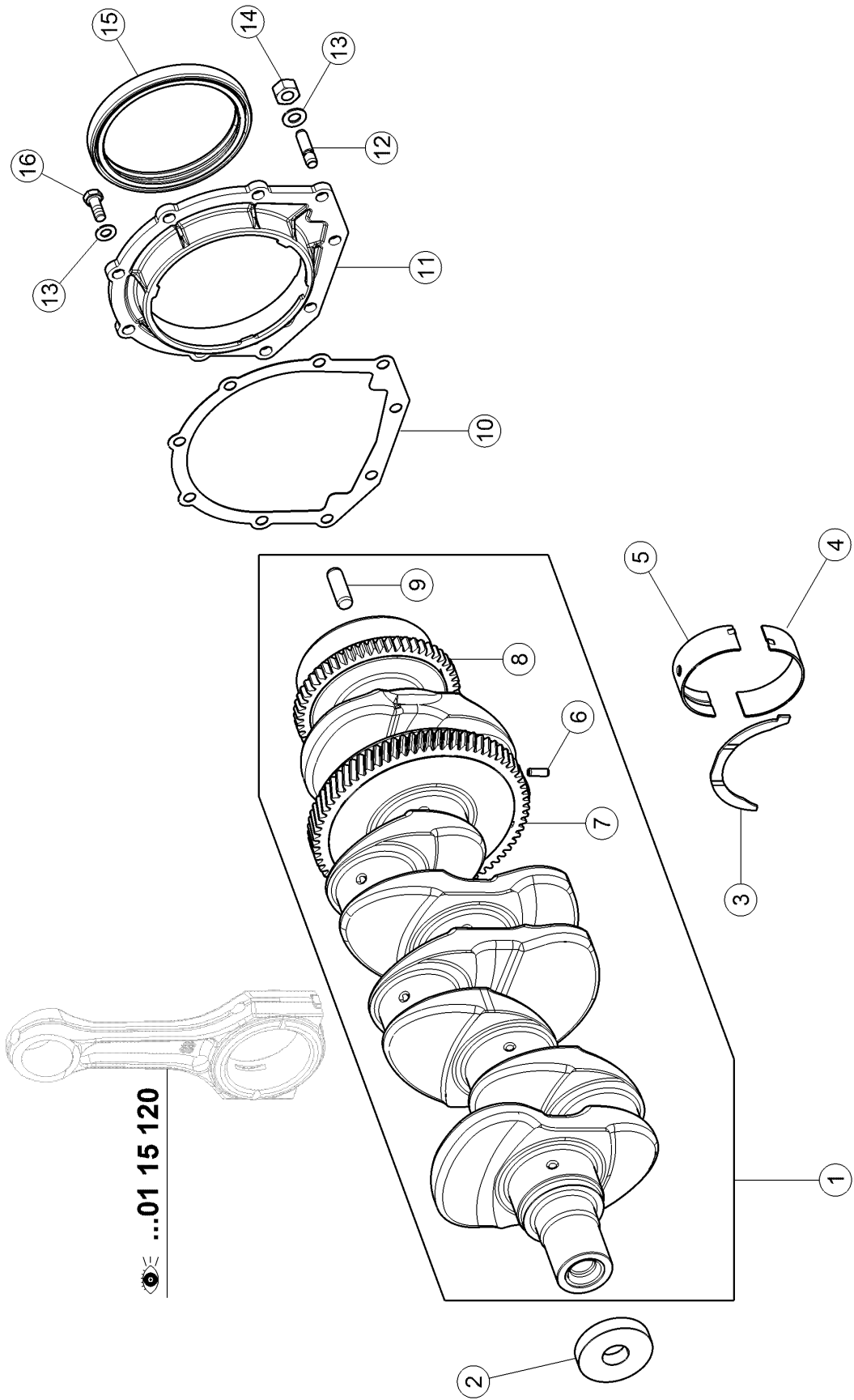
100 CYLINDER LINER, PISTON

Pos.	Part No.	Description	Dimension	Quantity	Conditions
1	00 1155 256 0	PISTON-LINER		4	
2	00 1155 257 0	O-RING		8	
3	60 0500 333 5	INT RETAINING RING		8	
4	00 1155 258 0	SHAFT		4	
5	00 1155 260 0	SET OF PISTON RINGS		4	
6	00 1155 262 0	ENGINE PISTON		4	



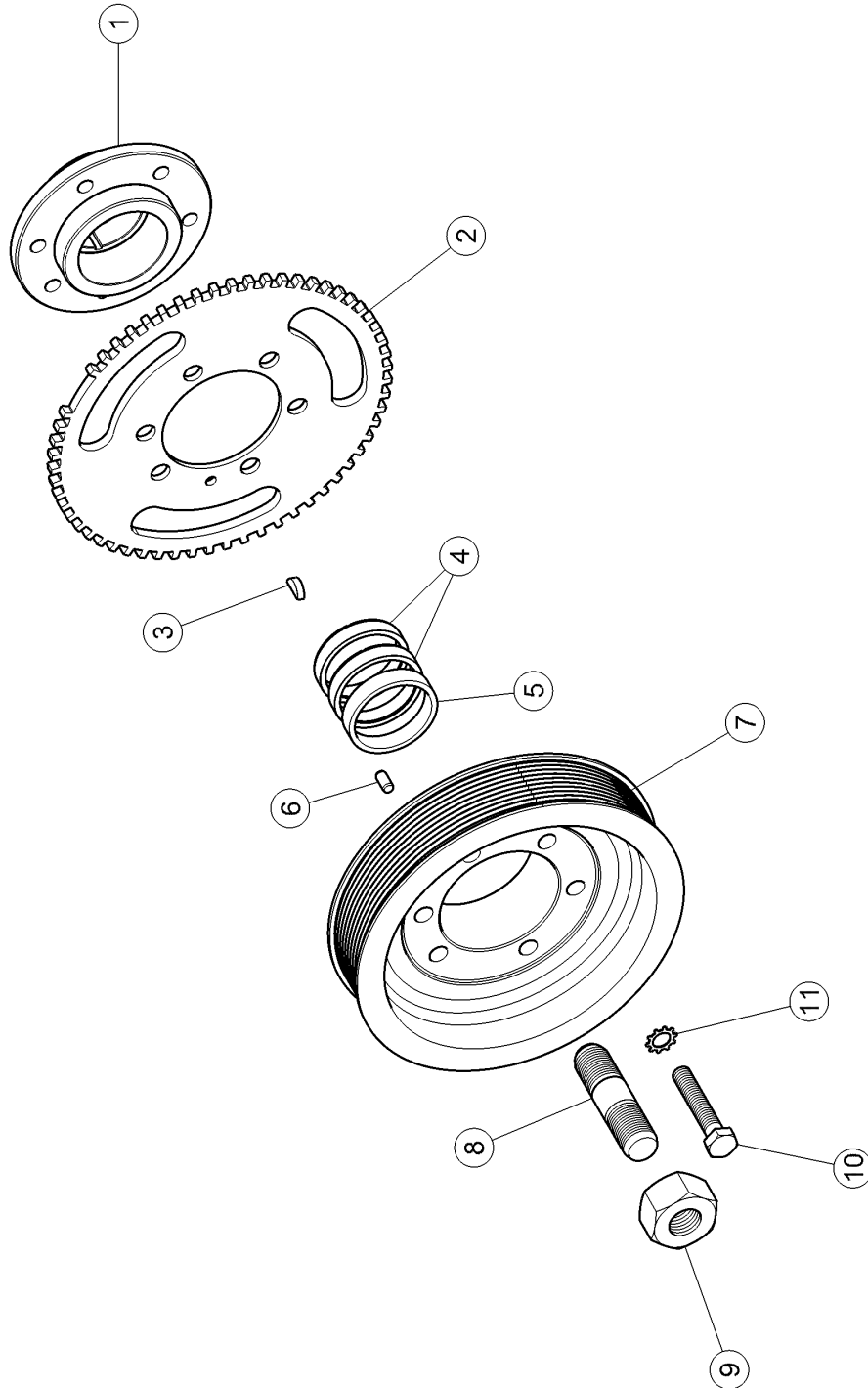
120 CONNECTING ROD, CONNECTING ROD BEARINGS

Pos.	Part No.	Description	Dimension	Quantity	Conditions
1	00 1155 263 0	ROD (ENGINE)		4	
2	00 1155 269 0	BEARING BUSH	34.60X39.130X36.65	4	
3	00 1155 264 0	SCREW		8	
4	00 1155 266 0	BEARING BUSH		4	
5	00 1155 268 0	BEARING BUSH		4	



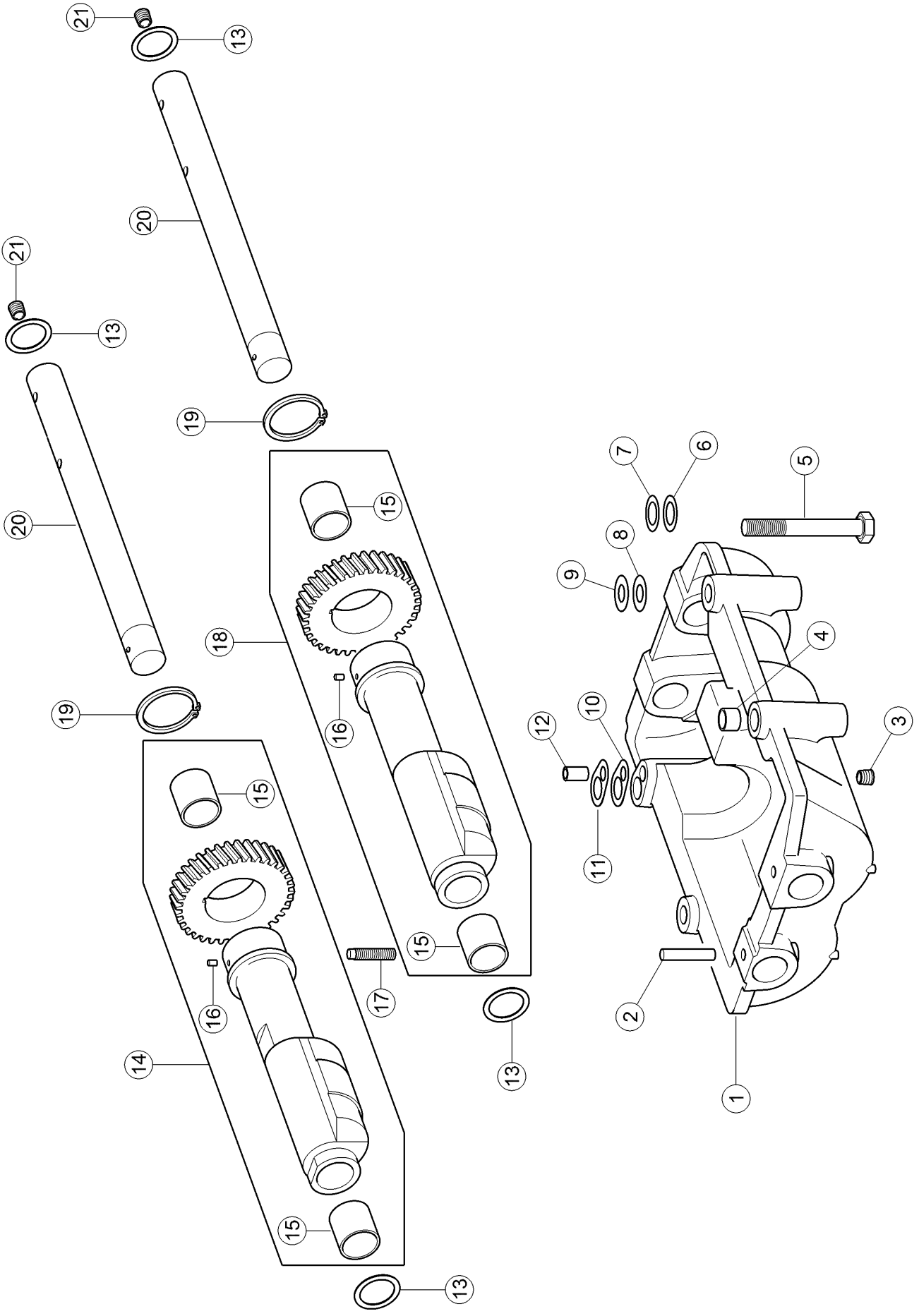
140 CRANKSHAFT

Pos.	Part No.	Description	Dimension	Quantity	Conditions
1	00 1155 270 0	CRANKSHAFT		1	
2	00 1155 271 0	WASHER		1	
3	00 1155 272 0	CHOCK		4	
3	00 1155 273 0	CHOCK		4	1)
3	00 1155 274 0	CHOCK		4	2)
4	00 1155 275 0	BEARING BUSH		5	
5	00 1155 276 0	BEARING BUSH		5	
6	00 1155 277 0	PIN		1	
7	00 1155 278 0	GEAR		1	
8	00 1155 279 0	GEAR		1	
9	00 1155 280 0	CENTRING PIN		1	
10	00 1155 281 0	FLAT SEAL		1	
11	00 1155 282 0	BEARING		1	
12	00 1155 283 0	STUD		2	
13	00 1154 457 0	WASHER		9	
14	79 0303 201 6	HEX.NUT	M8X1	2	
15	00 1155 284 0	SEALING RING		1	
16	77 0300 182 0	HEX.HEAD BOLT	M08X20	7	
1)	Remarks			+0,10mm	
2)	Remarks			+0,15mm	



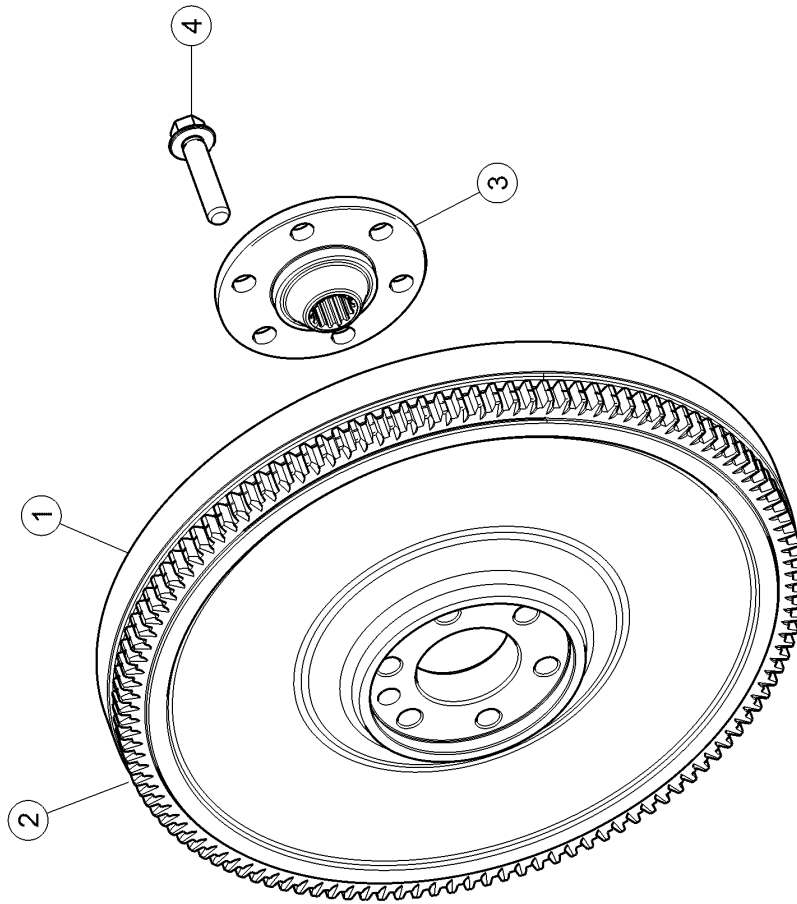
160 CRANKSHAFT PULLEY WHEEL

Pos.	Part No.	Description	Dimension	Quantity	Conditions
1	00 1154 059 0	FLANGE		1	
2	00 1154 060 0	GEAR		1	
3	60 0500 893 2	KEY	4X6,5 ERS.D.0093061.0	1	
4	00 1154 061 0	SMOOTH RING		2	
5	00 1154 062 0	SPACER		1	
6	00 1154 063 0	CENTRING PIN		1	
7	00 1154 064 0	CRANKSHAFT PULLEY		1	
8	00 1154 065 0	STUD		1	
9	00 1154 066 0	NUT		1	
10	77 0310 107 5	SCREW		6	
11	79 0305 601 7	WASHER	A10,5	6	



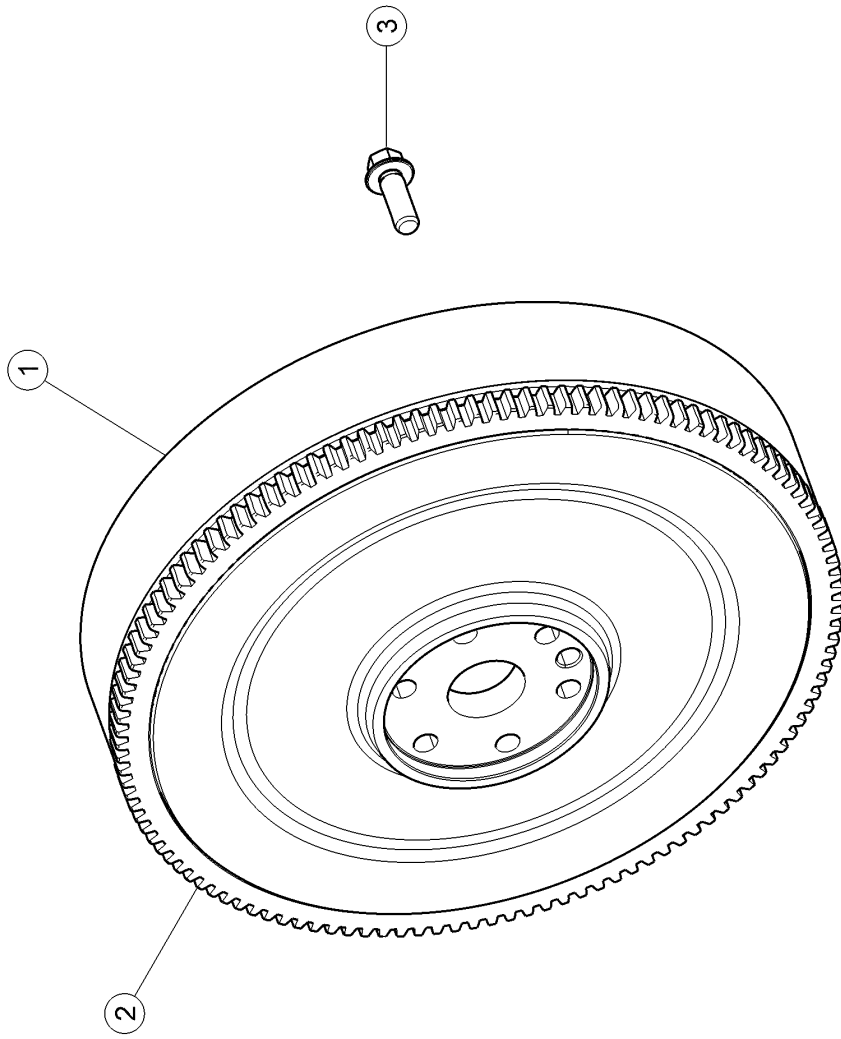
200 MASS BALANCING

Pos.	Part No.	Description	Dimension	Quantity	Conditions
1	00 1155 285 0	CASING		1	
2	50 0306 708 6	PIN	Ø8-40	2	
3	00 1155 287 0	COVER		4	
4	00 1155 288 0	BUSHING		2	
5	00 1155 289 0	STD SCREW		4	
6	00 1155 290 0	SHIM		1	
7	00 1155 291 0	WASHER		3	
8	00 1155 292 0	SHIM		1	
9	00 1155 293 0	WASHER		6	
10	00 1155 294 0	SHIM		1	
11	00 1155 295 0	SHIM		3	
12	00 1155 296 0	BUSHING		1	
13	00 1155 297 0	CHOCK		4	
14	00 1155 298 0	FLYWEIGHT		1	
15	00 1155 299 0	SMOOTH RING		4	
16	00 1155 300 0	PIN		2	
17	00 1155 301 0	SCREW		1	
18	00 1155 302 0	FLYWEIGHT		1	
19	77 0306 610 3	CIRCLIP	45X1,75	2	
20	00 1155 303 0	DRIVE SHAFT		2	
21	00 1155 287 0	COVER		2	



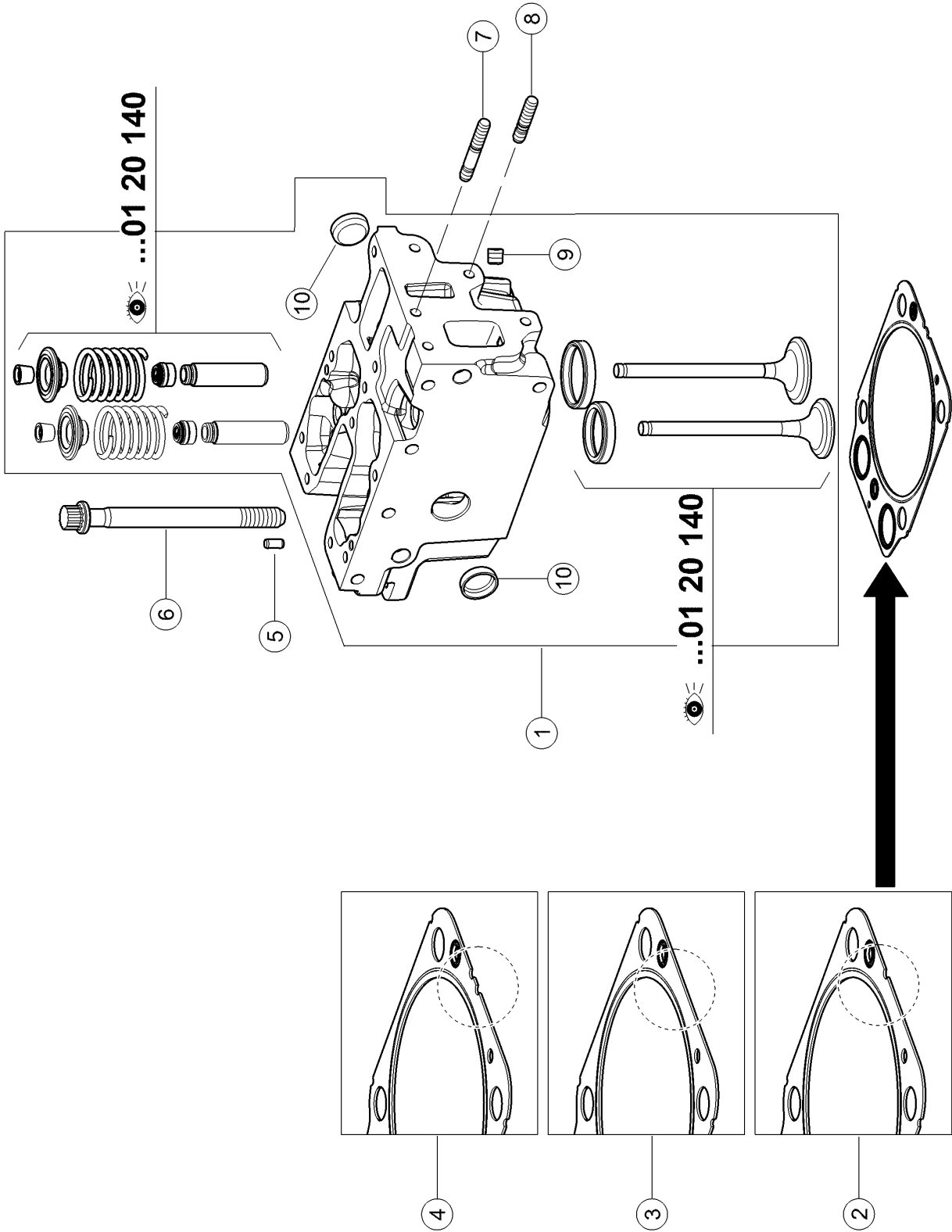
220 FLYWHEEL 1)

Pos.	Part No.	Description	Dimension	Quantity	Conditions
1	00 1166 183 0	FLYWHEEL		1	
2	00 1154 504 0	CROWN WHEEL		1	2)
3	00 1154 069 0	FLANGE		1	
4	00 1154 070 0	STD SCREW		6	
1)	Equipment	TM_N00_0010		Mechanical reverser	
2)	Remarks			123 dts.	



220 FLYWHEEL 1)

Pos.	Part No.	Description	Dimension	Quantity	Conditions
1	00 1154 503 0	FLYWHEEL		1	
2	00 1154 504 0	CROWN WHEEL		1	2)
3	00 1154 505 0	STD SCREW		6	
1)	Equipment	TM_N00_0020	REVERSHIFT electronic clutchless reverser		
2)	Remarks		123 dts.		



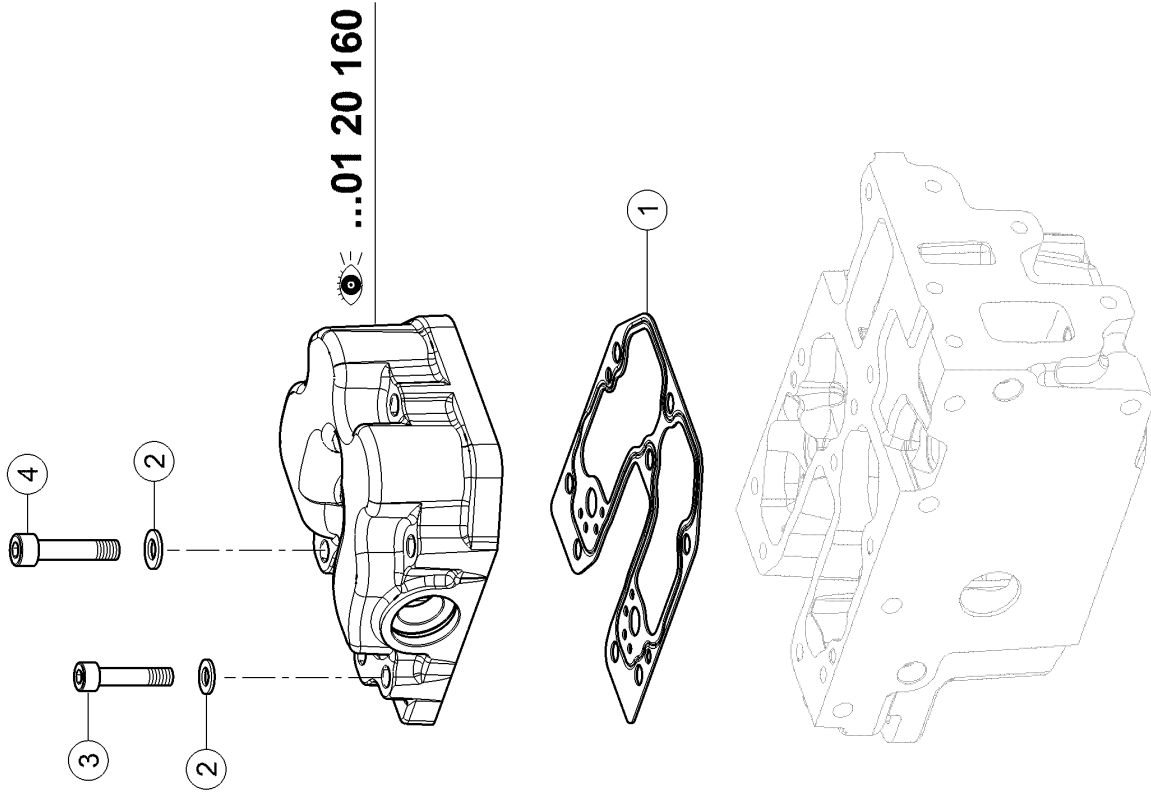
100 CYLINDER HEAD

Pos.	Part No.	Description	Dimension	Quantity	Conditions
1	00 1154 071 0	CYLINDER HEAD		4	
2	00 1154 072 0	CYLINDER HEAD GASKET		1	1)
3	00 1154 073 0	CYLINDER HEAD GASKET		1	2)
4	00 1154 074 0	CYLINDER HEAD GASKET		1	3)
5	00 1154 063 0	CENTRING PIN		8	
6	00 1154 075 0	SCREW		16	
7	60 0500 933 5	STUD		4	
8	60 0500 930 4	STUD		4	
9	00 1154 076 0	COVER		4	
10	00 1154 077 0	BLANKING COVER		8	

1) Remarks ép.1,20mm

2) Remarks ép.1,40mm

3) Remarks ép.1,60mm



120 CYLINDER HEAD COVER

Pos.	Part No.	Description	Dimension	Quantity	Conditions
1	00 1154 078 0	FLAT SEAL		4	
2	79 0305 304 5	WASHER	8X22X1,5 ERS.D.234271.0	32	
3	77 0300 911 0	SCREW	M8X40 ERS.D.1070512.1	16	
4	60 0500 900 0	SCREW		16	



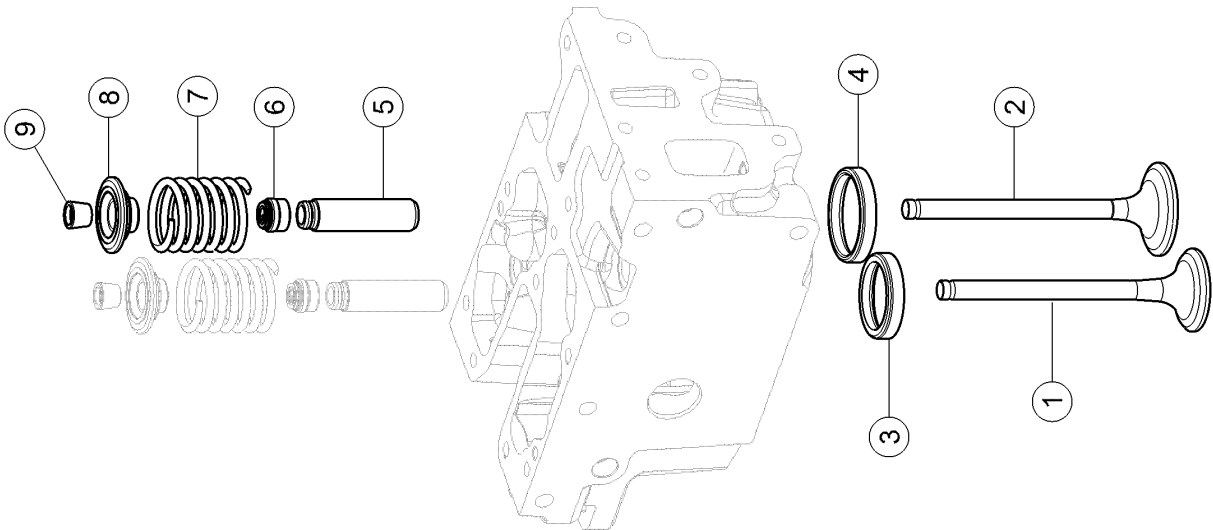
Suggest:

For more complete manuals. Please go to the home page.

<https://www.ebooklibonline.com>

If the above button click is invalid. Please download this document first, and then click the above link to download the complete manual.

Thank you so much for reading



140 VALVES

Pos.	Part No.	Description	Dimension	Quantity	Conditions
1	00 1154 079 0	ENGINE VALVE		4	1)
2	00 1154 080 0	ENGINE VALVE		4	2)
3	00 1154 081 0	VALVE SEAT		4	1)
4	00 1154 082 0	VALVE SEAT		4	2)
5	00 1154 083 0	GUIDE		8	
6	00 1154 084 0	GASKET		8	
7	00 1154 086 0	SPRING		8	
8	00 1154 087 0	CUP		8	
9	00 1154 088 0	HALF-CONE		16	
1)	Remarks		Echapt		
2)	Remarks		Adm.		

<https://www.ebooklibonline.com>

Hello dear friend!

Thank you very much for reading.

Enter the link into your browser.

The full manual is available for immediate download.

<https://www.ebooklibonline.com>