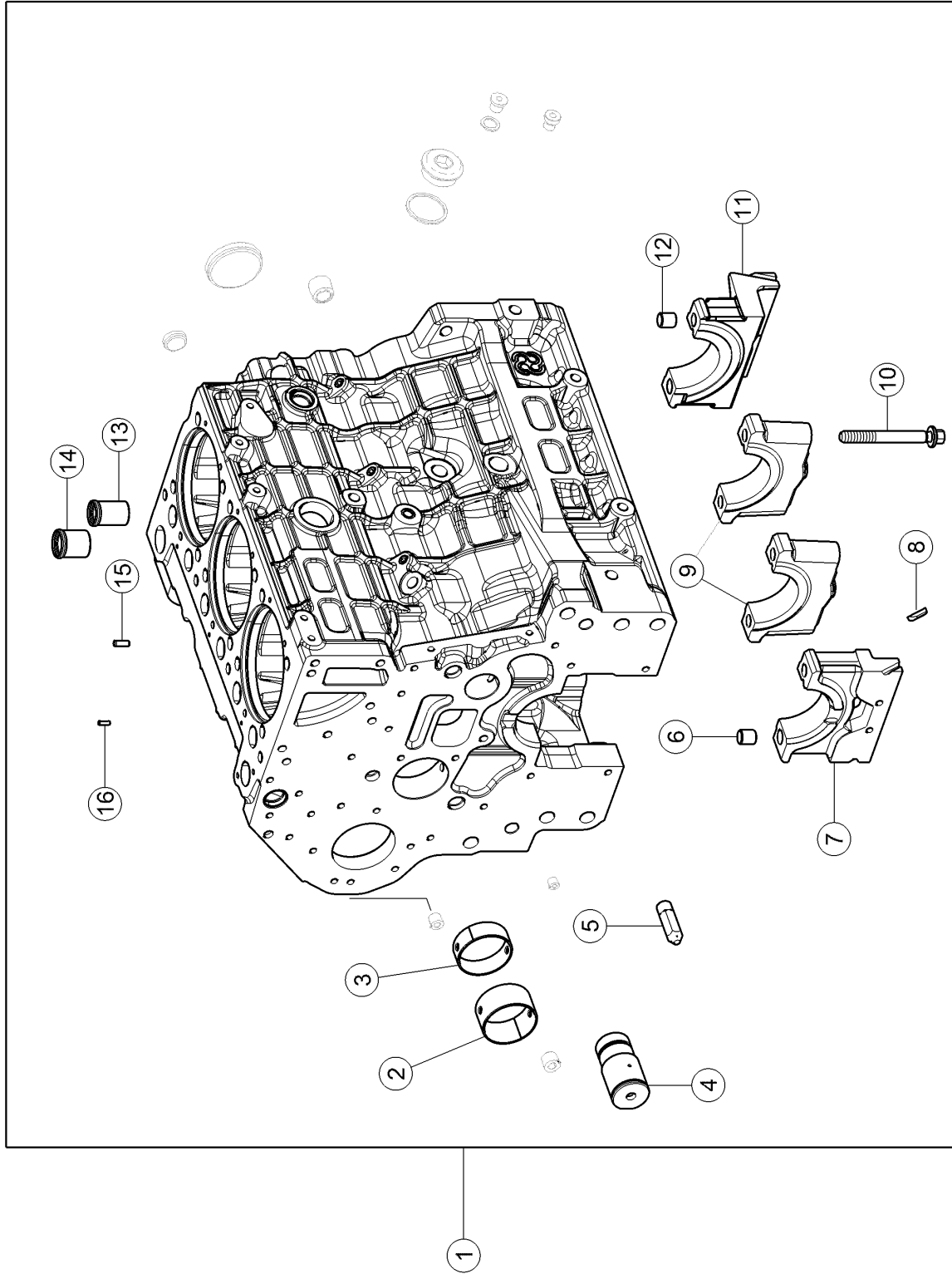


010 COMPLETE ENGINE

Pos.	Part No.	Description	Dimension	Quantity	Conditions
1	00 1160 872 0	ENGINE		1	1)
1	00 1160 873 0	ENGINE		1	2)
1	00 1160 874 0	ENGINE		1	3)
1)	Equipment	TM_P02_0010	76 hp rated output, 76 hp max. output, ECE R 120		
2)	Equipment	TM_P02_0020	84 hp rated output, 88 hp max. output, ECE R 120		
3)	Equipment	TM_P02_0030	92 hp rated output, 97 hp max. output, ECE R 120		



<https://www.ebooklibonline.com>

Hello dear friend!

Thank you very much for reading.

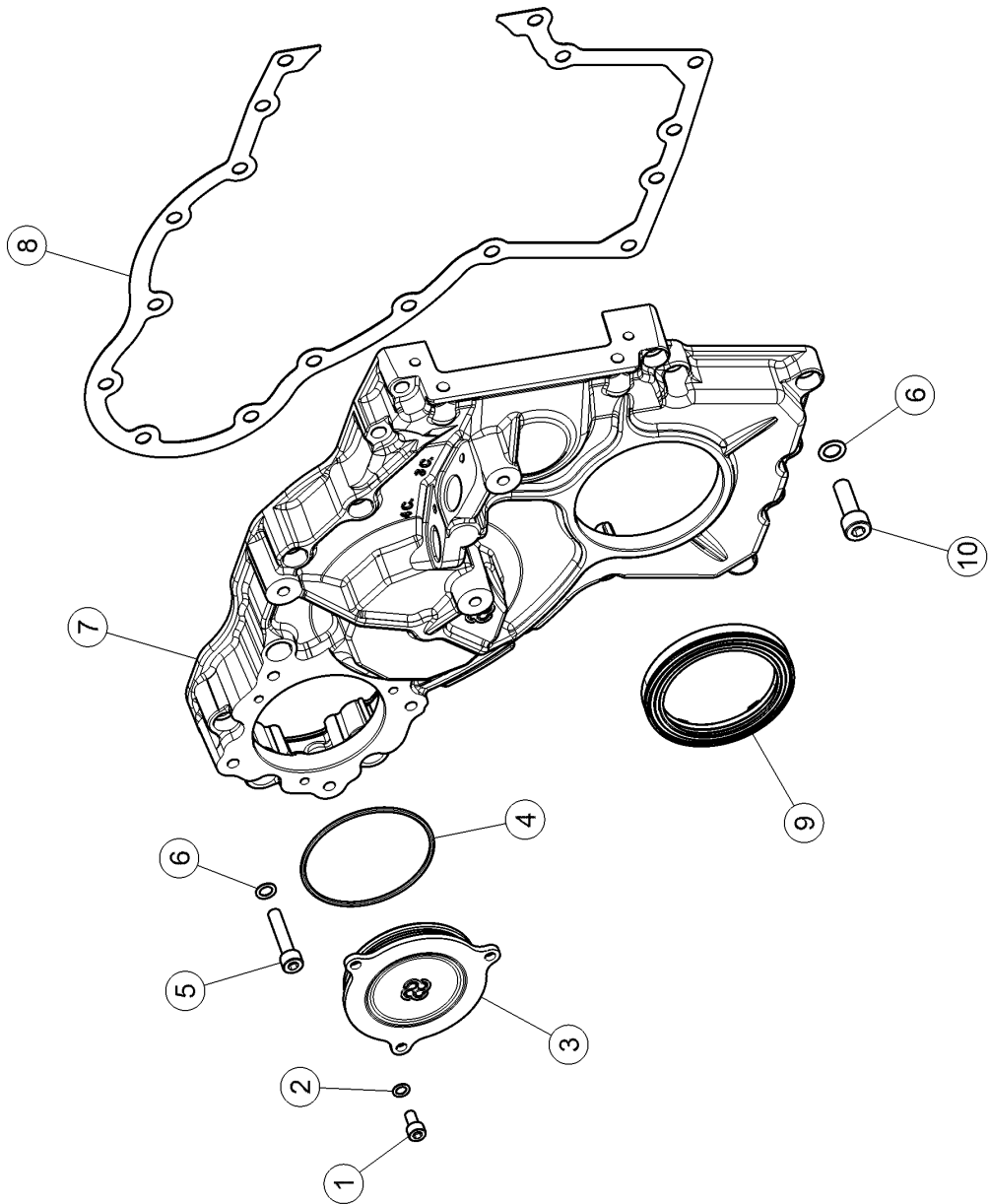
Enter the link into your browser.

The full manual is available for immediate download.

<https://www.ebooklibonline.com>

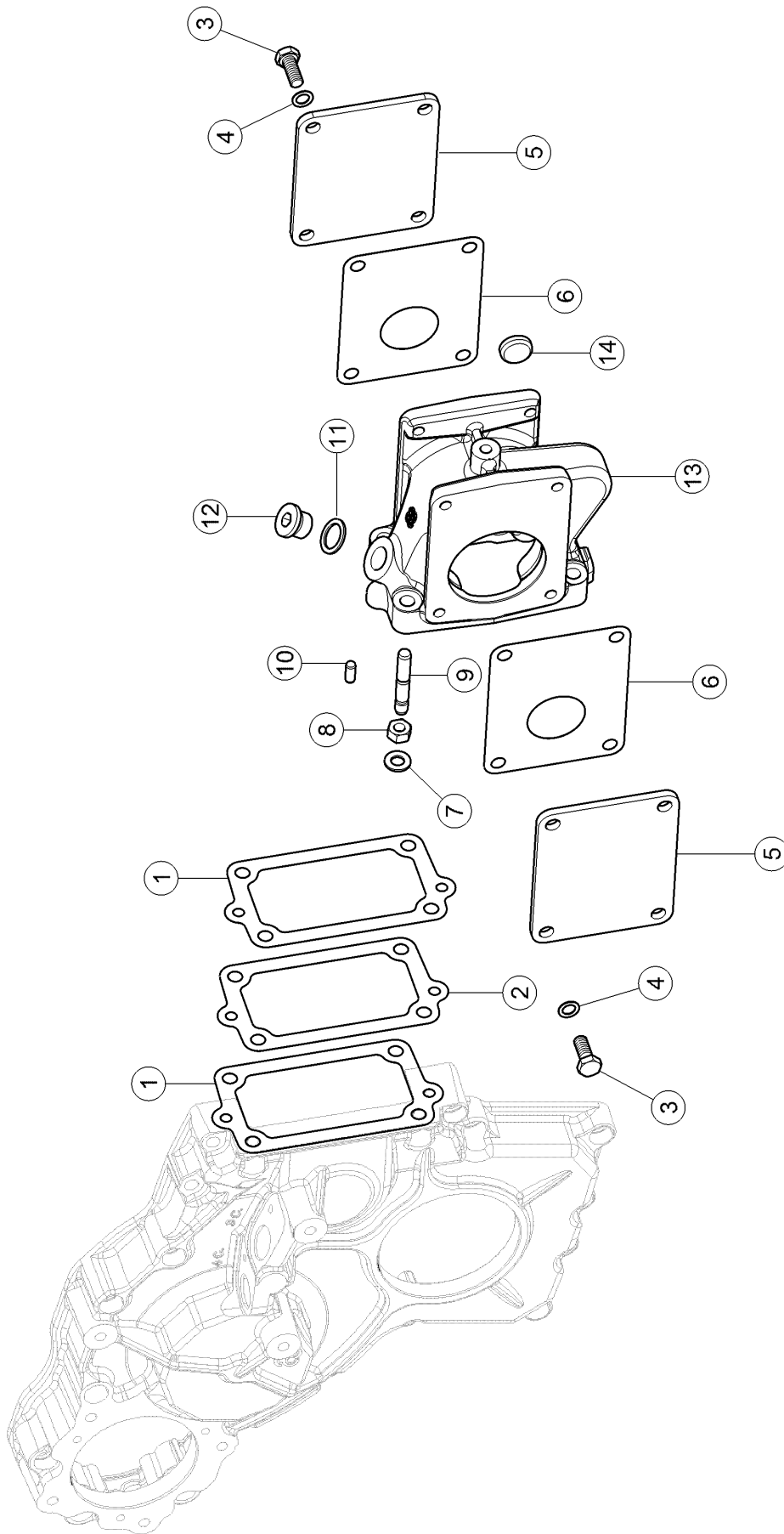
100 CRANKCASE

Pos.	Part No.	Description	Dimension	Quantity	Conditions
1	00 1158 841 0	CRANKCASE		1	
2	00 1155 457 0	BEARING BUSH		1	
3	00 1155 458 0	BEARING BUSH		1	
4	00 1155 460 0	SHAFT		1	
5	00 1155 459 0	TUBE		1	
6	00 1155 462 0	BUSHING		1	
7	00 1155 461 0	BEARING		1	
8	00 1155 465 0	GASKET		2	
9	00 1155 463 0	BEARING		2	
10	00 1163 568 0	SCREW		8	
11	00 1155 464 0	BEARING		1	
12	00 1155 462 0	BUSHING		1	
13	00 1155 467 0	TUBE		1	
14	00 1155 466 0	TUBE		1	
15	00 1155 468 0	PIN		4	
16	00 1155 469 0	PIN		1	



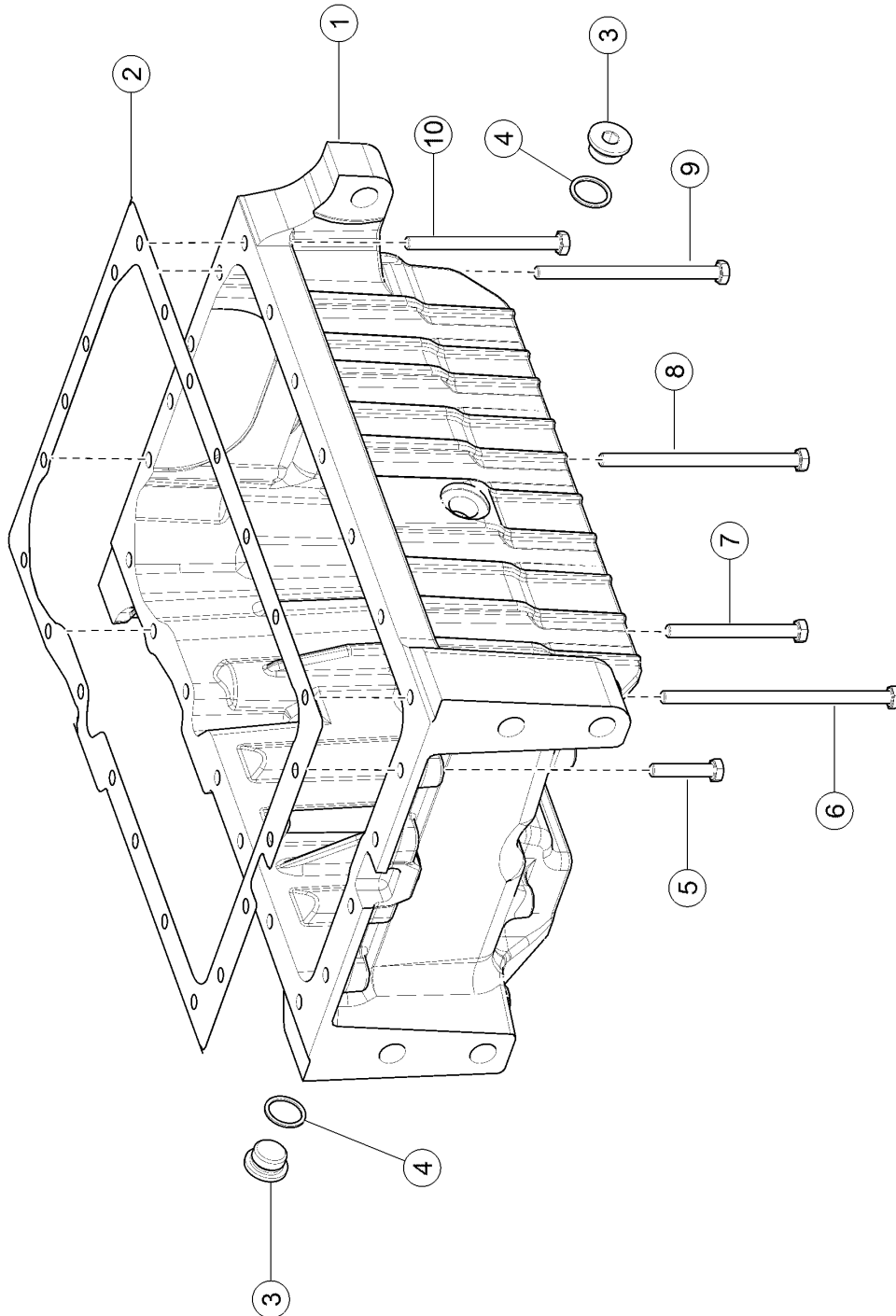
120 TIMING CASE

Pos.	Part No.	Description	Dimension	Quantity	Conditions
1	00 1134 404 0	SCREW		3	
2	77 0305 369 8	WASHER	6,4X12X1,2 ERS.D.236911	3	
3	00 1155 248 0	COVER		1	
4	00 1154 998 0	O-RING		1	
5	77 0300 911 0	SCREW	M8X40 ERS.D.1070512.1	9	
6	79 0305 317 5	WASHER	8X16X1,5 ERS.D.0236912.2	17	
7	00 1155 249 0	CASING		1	
8	00 1155 251 0	FLAT SEAL		1	
9	00 1155 286 0	SEALING RING		1	
10	60 0503 326 9	SCREW		8	



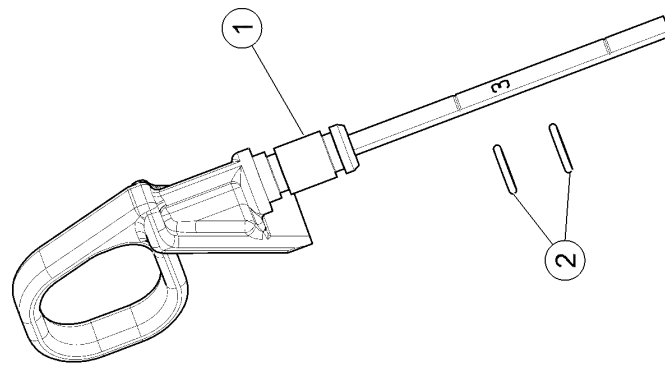
120 TIMING CASE

Pos.	Part No.	Description	Dimension	Quantity	Conditions
1	00 1156 489 0	GASKET	0,1 MM	2	1)
2	00 1156 491 0	EINSTELLBLOCK	0,5 MM	1	2)
3	77 0300 182 0	HEX.HEAD BOLT	M08X20	8	
4	79 0305 317 5	WASHER	8X16X1,5 ERS.D.0236912.2	8	
5	00 1158 977 0	COVER		2	
6	00 1158 978 0	FLAT SEAL		2	
7	79 0305 304 3	WASHER	8X16X1,5 ERS.D.236912.2	4	
8	79 0303 201 6	HEX.NUT	M8X1	4	
9	60 0500 933 5	STUD		4	
10	00 0233 402 0	CYLINDRICAL PIN	6M6X 14	2	
11	60 0500 931 1	GASKET		1	
12	00 1158 979 0	COVER		1	
13	00 1158 980 0	SUPPORT		1	
14	00 1158 981 0	BLANKING COVER		1	
1)	Remarks	ép.0,1mm			
2)	Remarks	ép.0,5mm			



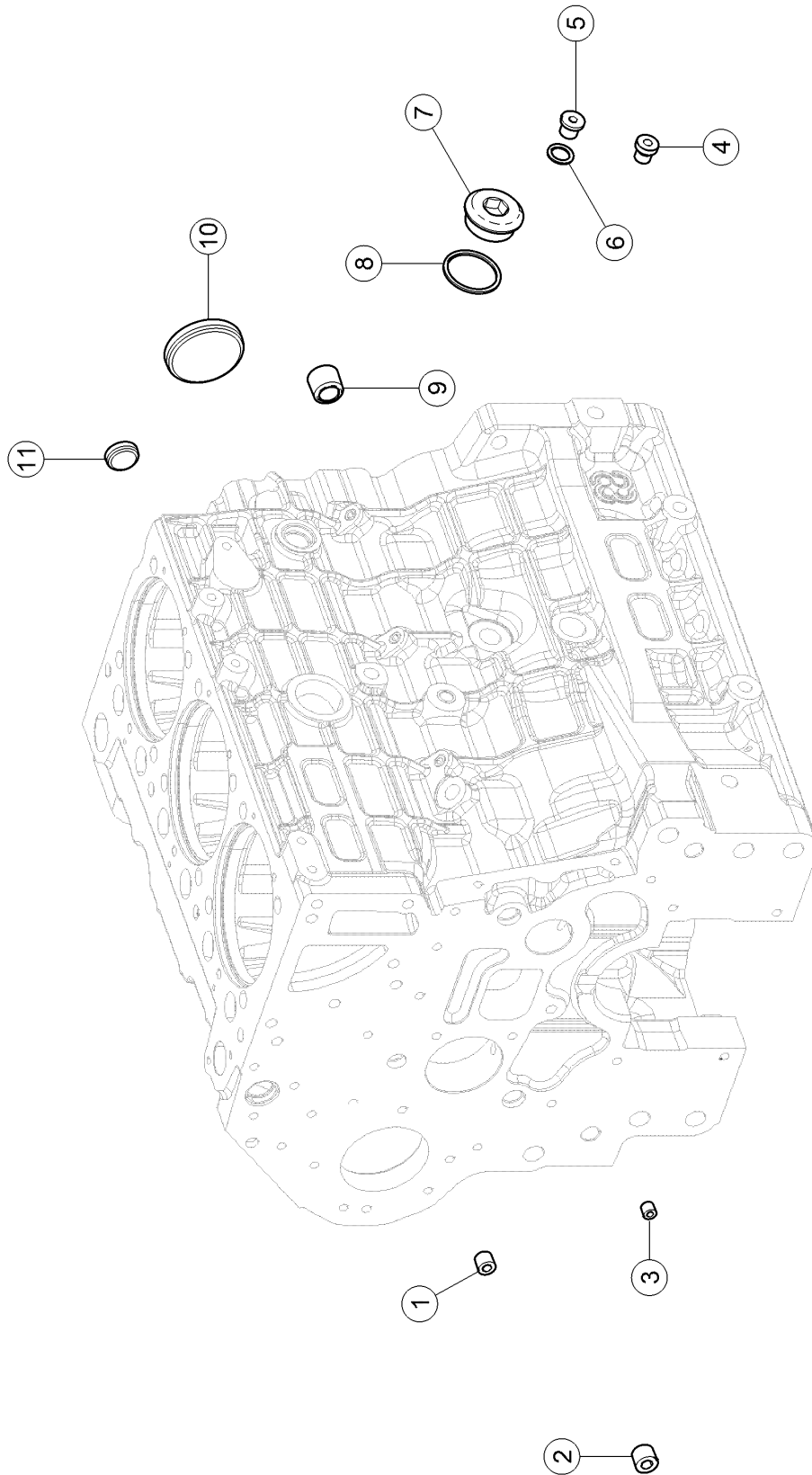
160 OIL PAN

Pos.	Part No.	Description	Dimension	Quantity	Conditions
1	00 1158 842 0	OIL SUMP		1	
2	00 1158 843 0	FLAT SEAL		1	
3	60 0500 854 0	SCREW PLUG	G1/2A	2	
4	60 0500 930 8	GASKET		2	
5	77 0300 116 7	SCREW	M 8X40 ERS.D. 238125.0	13	
6	00 1154 057 0	STD SCREW		2	
7	77 0300 117 5	SCREW	M 8X85	1	
8	00 0238 253 0	HEXAGON HEAD BOLT	M08X130	1	
9	77 0300 117 9	SCREW	M08X120	3	
10	77 0300 117 8	SCREW		2	



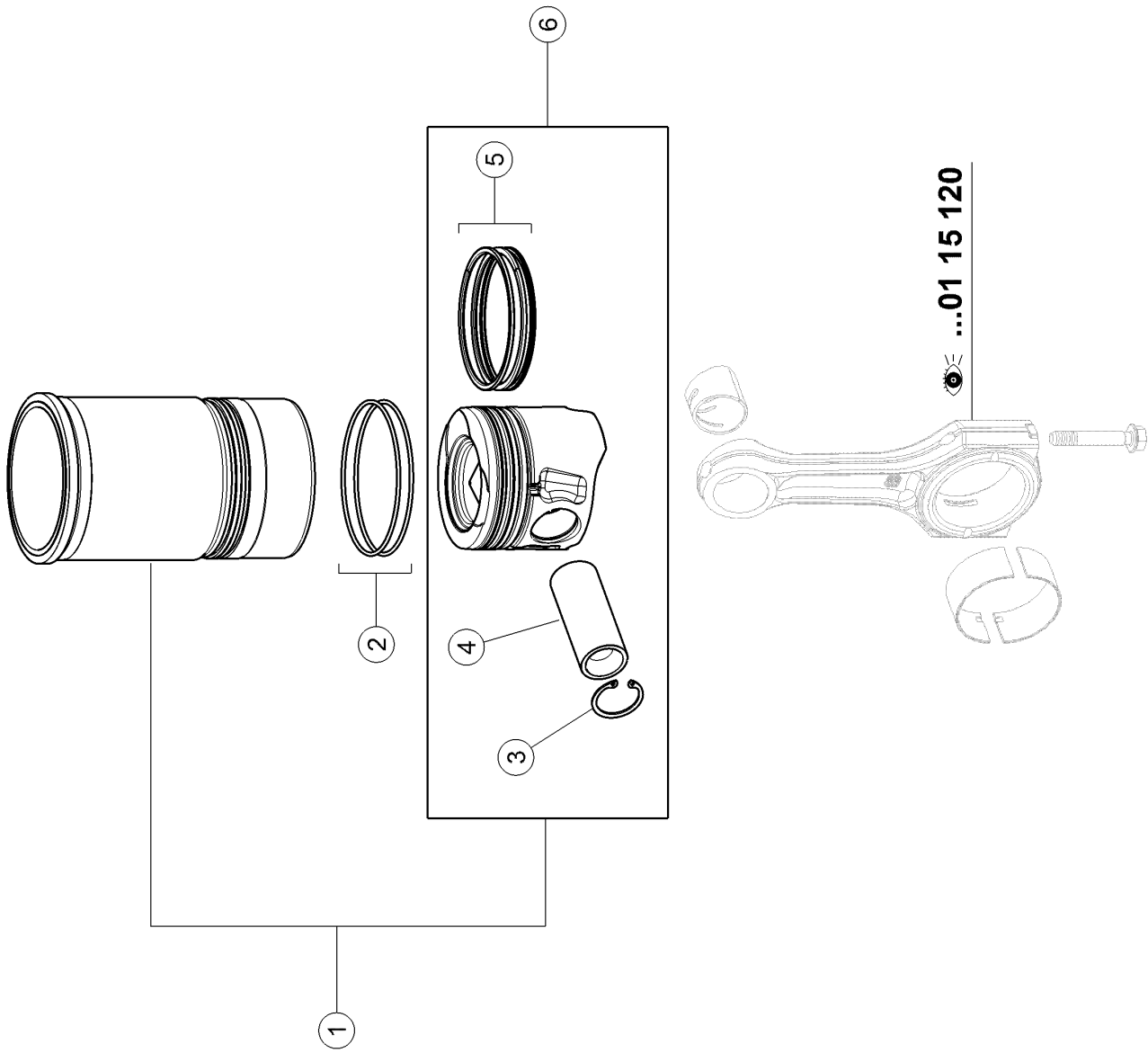
160 OIL PAN

Pos.	Part No.	Description	Dimension	Quantity	Conditions
1	00 1158 844 0	GAUGE		1	
2	77 0306 505 2	O-RING		2	



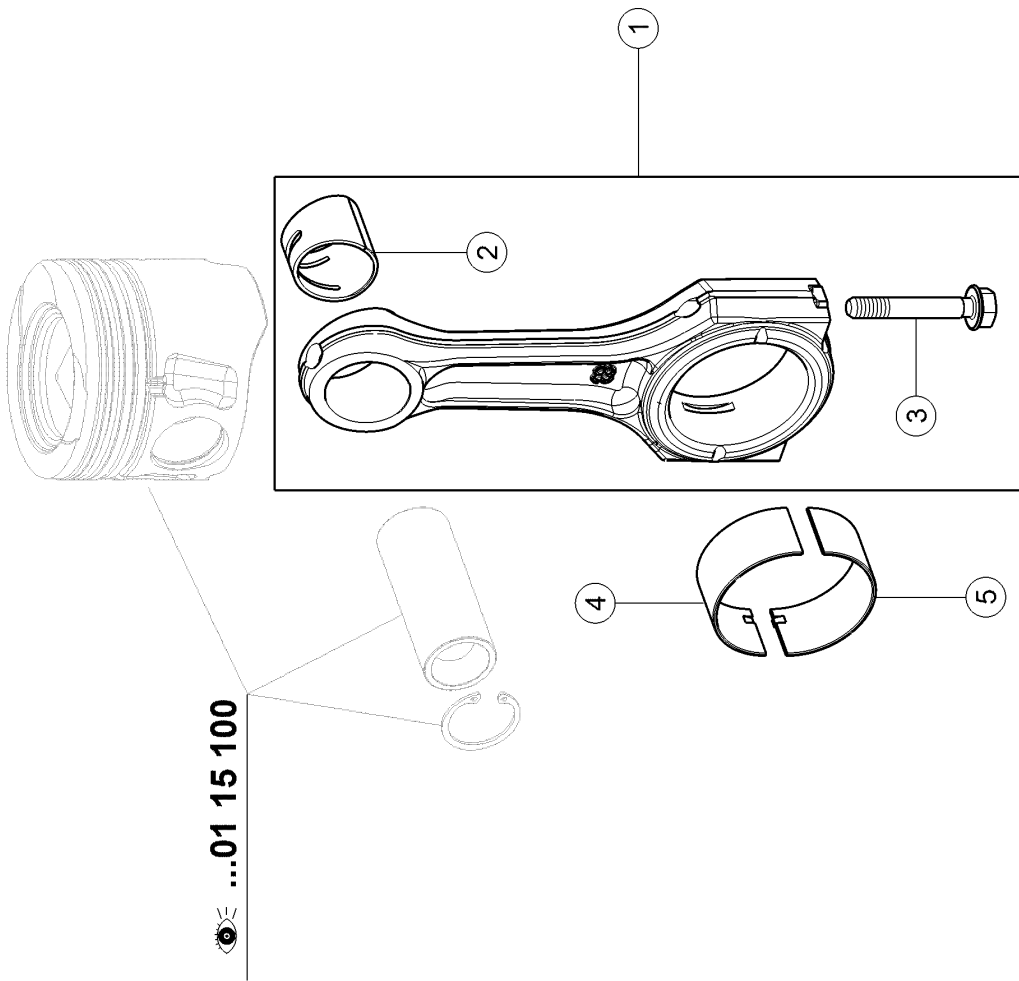
180 PLUGS

Pos.	Part No.	Description	Dimension	Quantity	Conditions
1	00 1155 470 0	COVER		2	
2	00 1155 471 0	COVER		4	
3	00 1154 076 0	COVER		12	
4	00 1155 472 0	COVER		1	
5	00 1155 473 0	COVER		1	
6	60 0502 807 6	FLAT SEAL RING	A 14X20X1,5	1	
7	00 1155 474 0	COVER		1	
8	00 1155 475 0	GASKET		1	
9	00 1155 477 0	COVER		3	
10	00 1155 476 0	BLANKING COVER		1	
11	00 1154 077 0	BLANKING COVER		5	



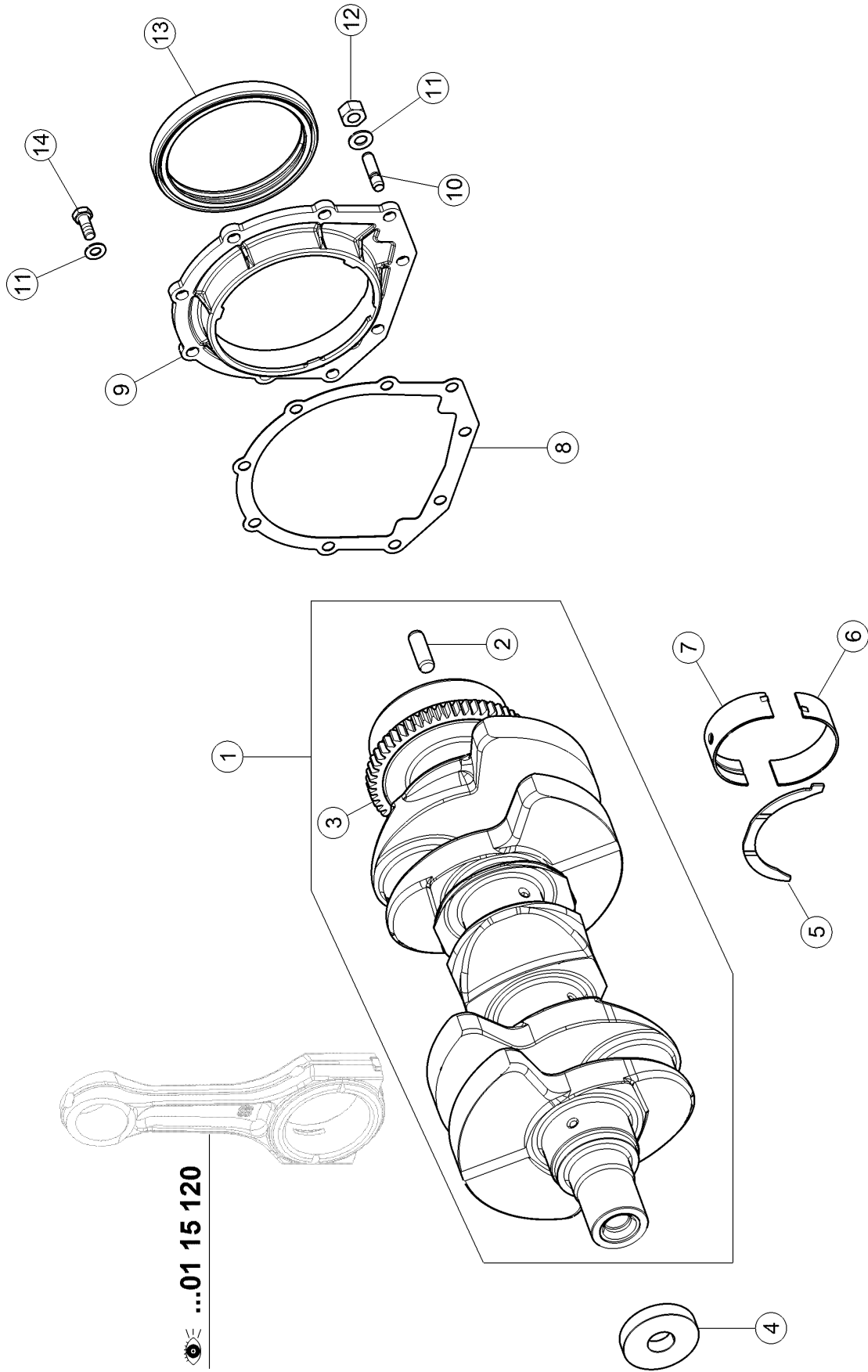
100 CYLINDER LINER, PISTON

Pos.	Part No.	Description	Dimension	Quantity	Conditions
1	00 1155 256 0	PISTON-LINER		3	
2	00 1155 257 0	O-RING		3	
3	60 0500 333 5	INT RETAINING RING		6	
4	00 1155 258 0	SHAFT		3	
5	00 1155 260 0	SET OF PISTON RINGS		3	
6	00 1155 262 0	ENGINE PISTON		4	



120 CONNECTING ROD, CONNECTING ROD BEARINGS

Pos.	Part No.	Description	Dimension	Quantity	Conditions
1	00 1155 263 0	ROD (ENGINE)		3	
2	00 1155 269 0	BEARING BUSH	34.60X39.130X36.65	3	
3	00 1155 264 0	SCREW		6	
4	00 1155 266 0	BEARING BUSH		3	
5	00 1155 268 0	BEARING BUSH		3	

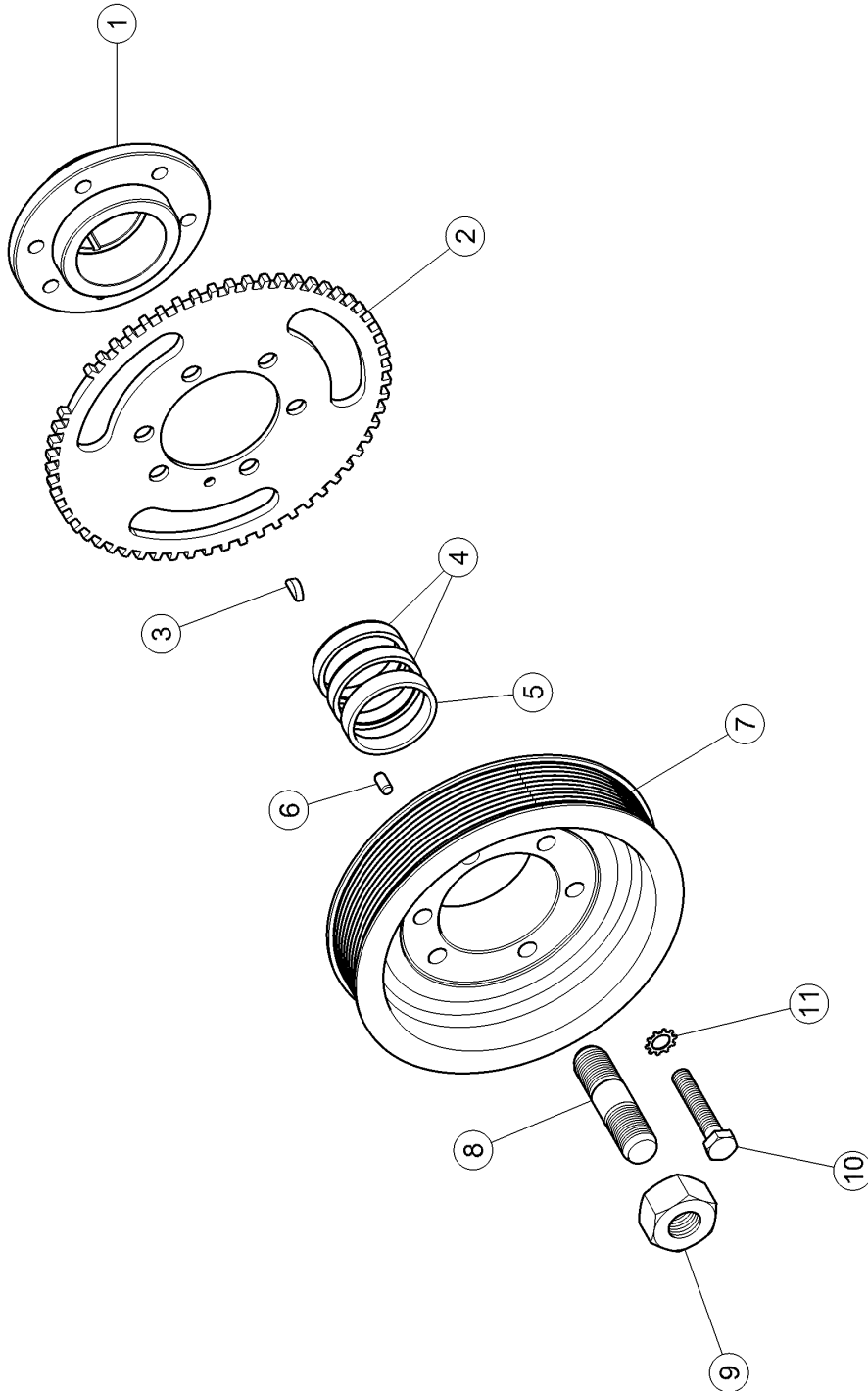


140 CRANKSHAFT

Pos.	Part No.	Description	Dimension	Quantity	Conditions
1	00 1158 845 0	CRANKSHAFT		1	
2	00 1155 280 0	CENTRING PIN		1	
3	00 1155 279 0	GEAR		1	
4	00 1155 271 0	WASHER		1	
5	00 1155 272 0	CHOCK		1	
5	00 1155 273 0	CHOCK		1	1)
5	00 1155 274 0	CHOCK		1	2)
6	00 1155 275 0	BEARING BUSH		4	
7	00 1155 276 0	BEARING BUSH		4	
8	00 1155 281 0	FLAT SEAL		1	
9	00 1155 282 0	BEARING		1	
10	00 1155 283 0	STUD		2	
11	00 1154 457 0	WASHER		9	
12	79 0303 201 6	HEX.NUT	M8X1	2	
13	00 1155 284 0	SEALING RING		1	
14	77 0300 182 0	HEX.HEAD BOLT	M08X20	7	

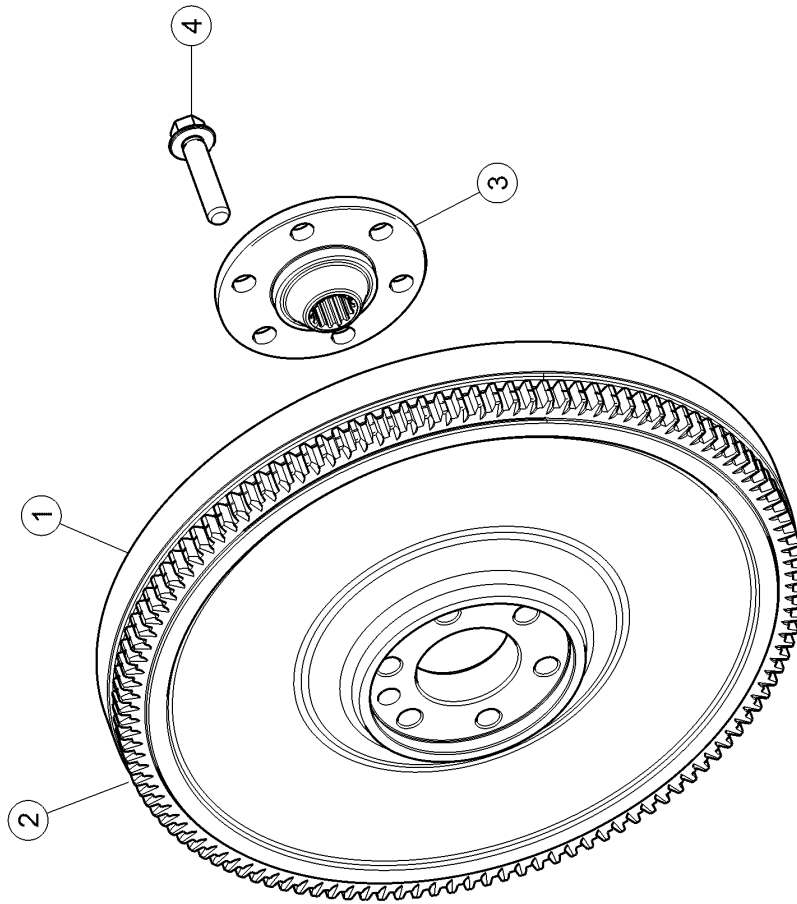
1) Remarks	ép.0,1mm
-------------------	----------

2) Remarks	ép.0,15mm
-------------------	-----------



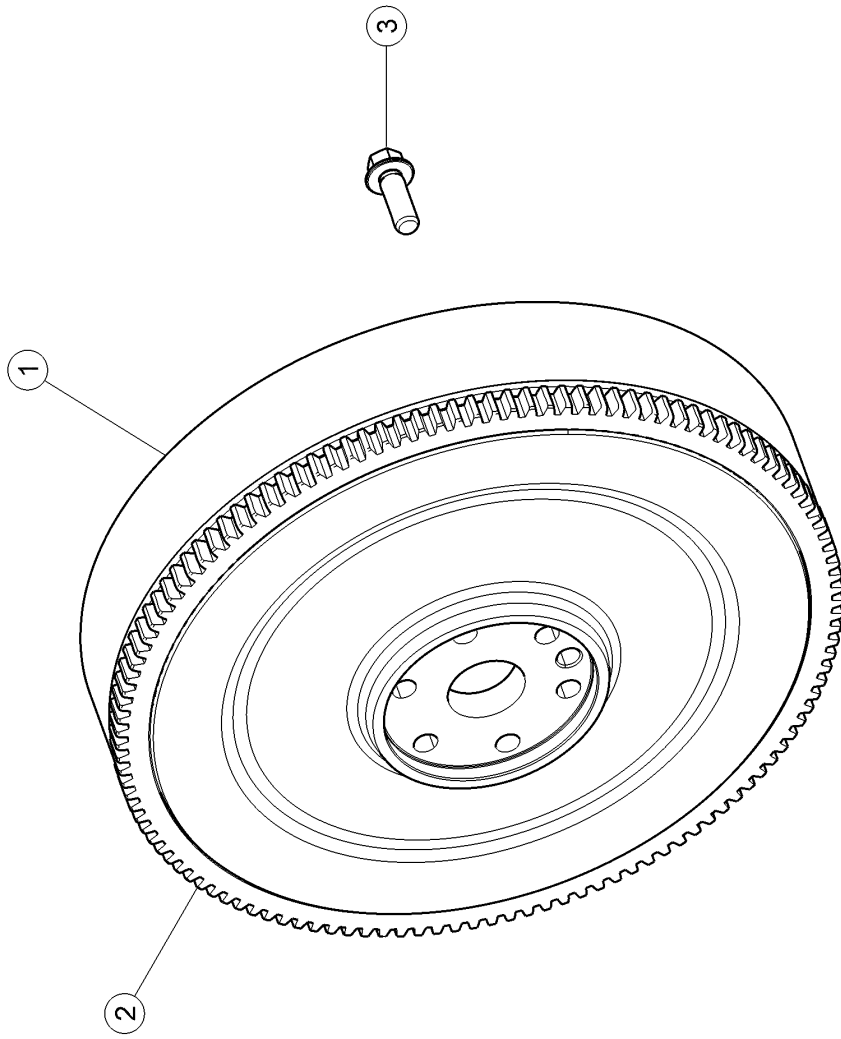
160 CRANKSHAFT PULLEY WHEEL

Pos.	Part No.	Description	Dimension	Quantity	Conditions
1	00 1154 059 0	FLANGE		1	
2	00 1154 060 0	GEAR		1	
3	60 0500 893 2	KEY	4X6,5 ERS.D.0093061.0	1	
4	00 1154 061 0	SMOOTH RING		2	
5	00 1154 062 0	SPACER		1	
6	00 1154 063 0	CENTRING PIN		1	
7	00 1154 064 0	CRANKSHAFT PULLEY		1	
8	00 1154 065 0	STUD		1	
9	00 1154 066 0	NUT		1	
10	77 0310 107 5	SCREW		6	
11	79 0305 601 7	WASHER	A10,5	6	



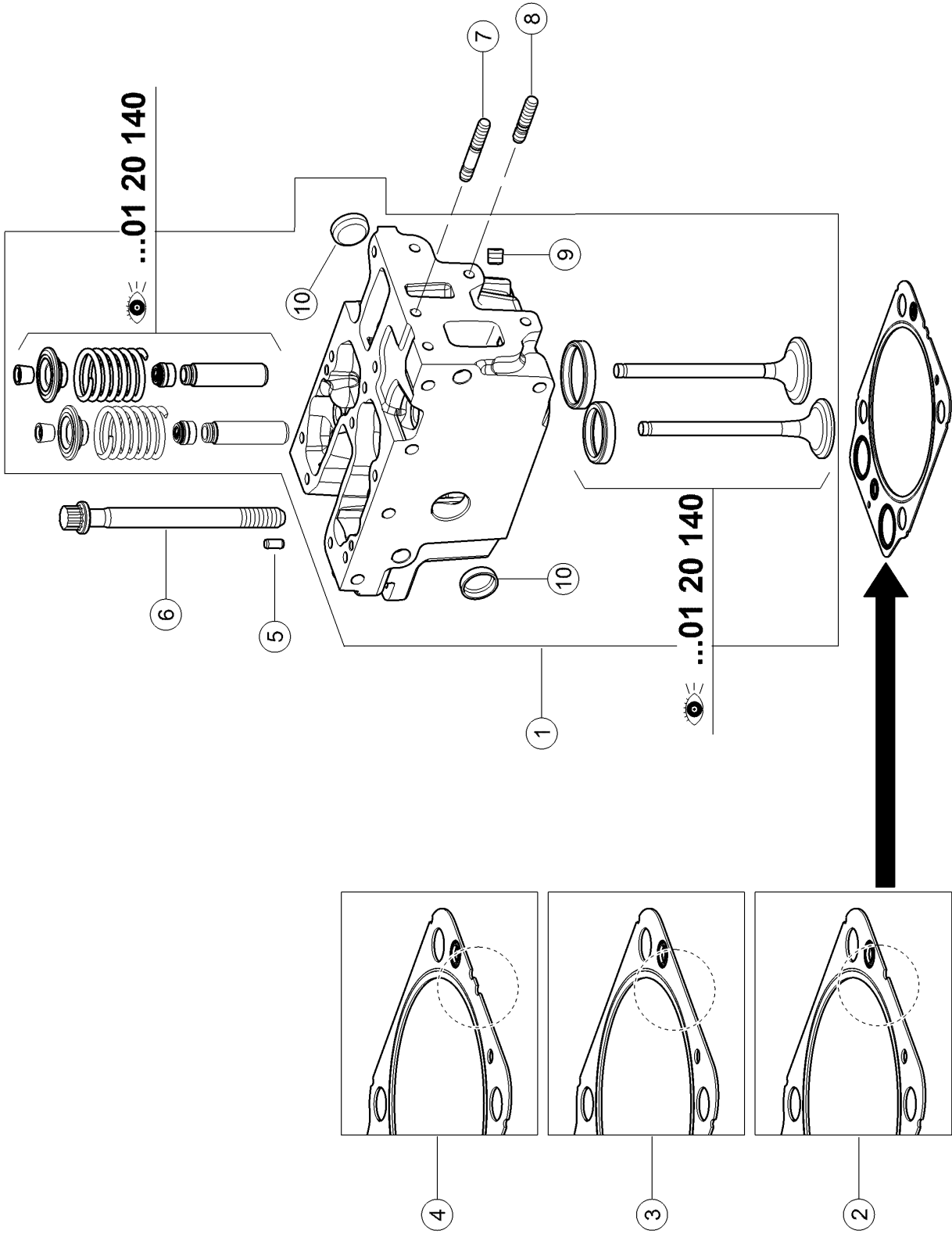
220 FLYWHEEL 1)

Pos.	Part No.	Description	Dimension	Quantity	Conditions
1	00 1154 068 0	FLYWHEEL		1	
2	00 1154 067 0	CROWN WHEEL		1	2)
3	00 1154 069 0	FLANGE		1	
4	00 1154 070 0	STD SCREW		6	
1)	Equipment	TM_N00_0010	Mechanical reverser		
2)	Remarks		121 dts.		



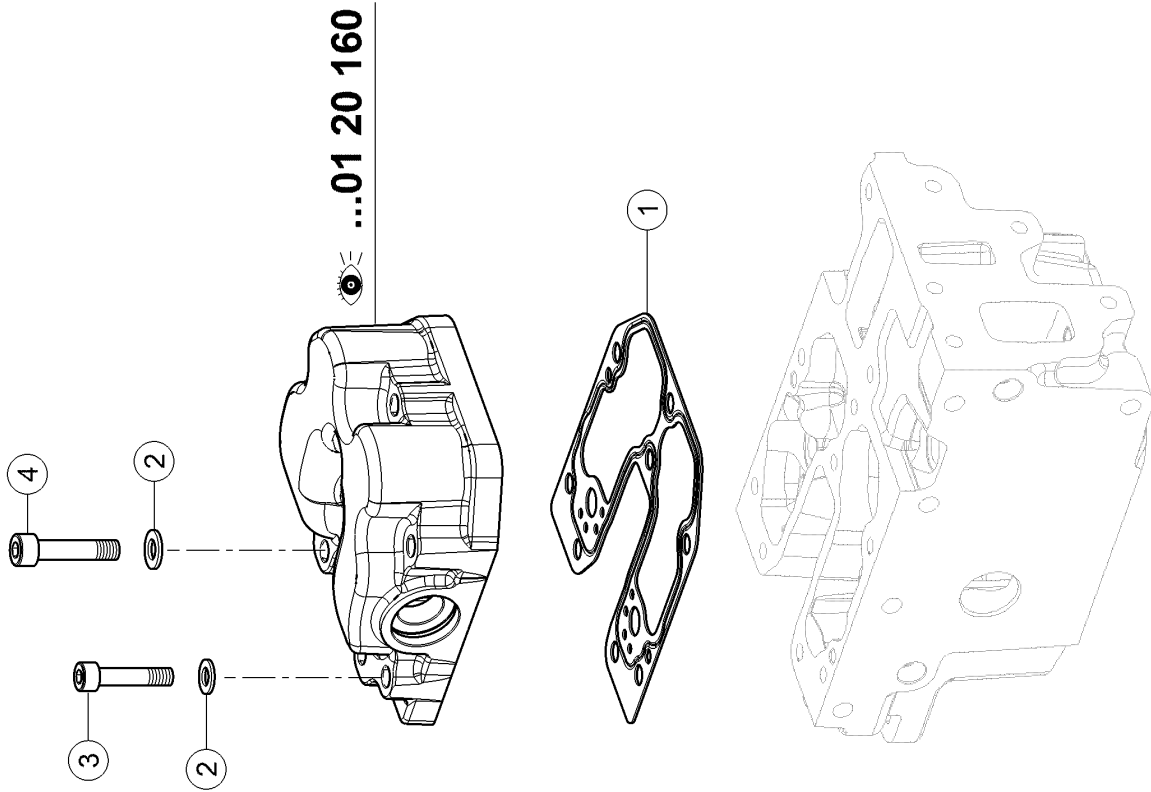
220 FLYWHEEL 1)

Pos.	Part No.	Description	Dimension	Quantity	Conditions
1	00 1158 846 0	FLYWHEEL		1	
2	00 1154 067 0	CROWN WHEEL		1	2)
3	00 1154 505 0	STD SCREW		6	
1)	Equipment	TM_N00_0020	REVERSHIFT electronic clutchless reverser		
2)	Remarks		121 dts.		



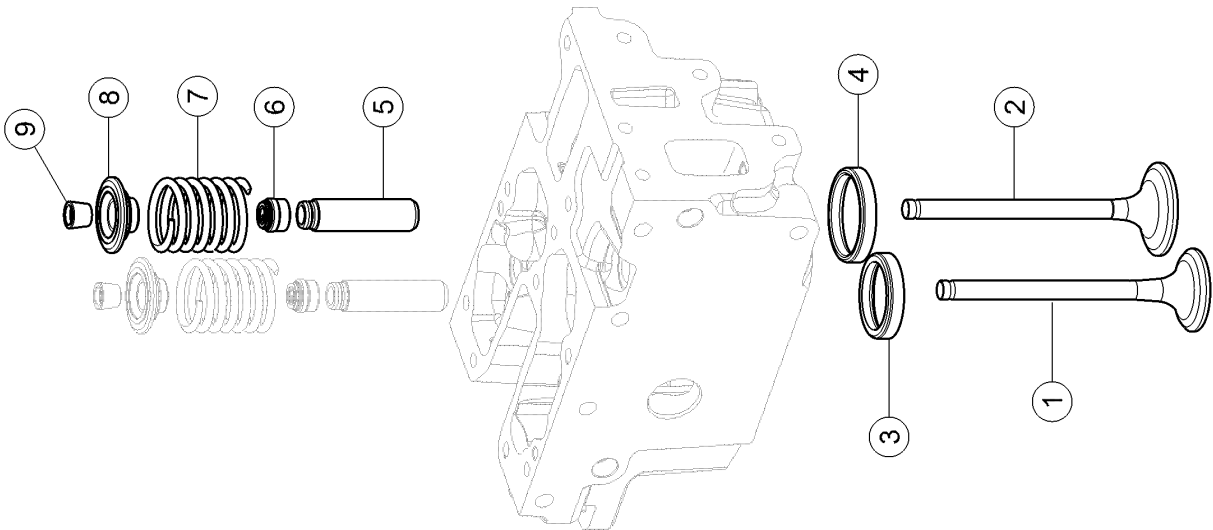
100 CYLINDER HEAD

Pos.	Part No.	Description	Dimension	Quantity	Conditions
1	00 1154 071 0	CYLINDER HEAD		3	
2	00 1154 072 0	CYLINDER HEAD GASKET		3	1)
3	00 1154 073 0	CYLINDER HEAD GASKET		3	2)
4	00 1154 074 0	CYLINDER HEAD GASKET		3	3)
5	00 1154 063 0	CENTRING PIN		6	
6	00 1154 075 0	SCREW		12	
7	60 0500 933 5	STUD		3	
8	60 0500 930 4	STUD		3	
9	00 1154 075 0	SCREW		3	
10	00 1154 077 0	BLANKING COVER		6	
1)	Remarks	ép.1,20mm			
2)	Remarks	ép.1,40mm			
3)	Remarks	ép.1,60mm			



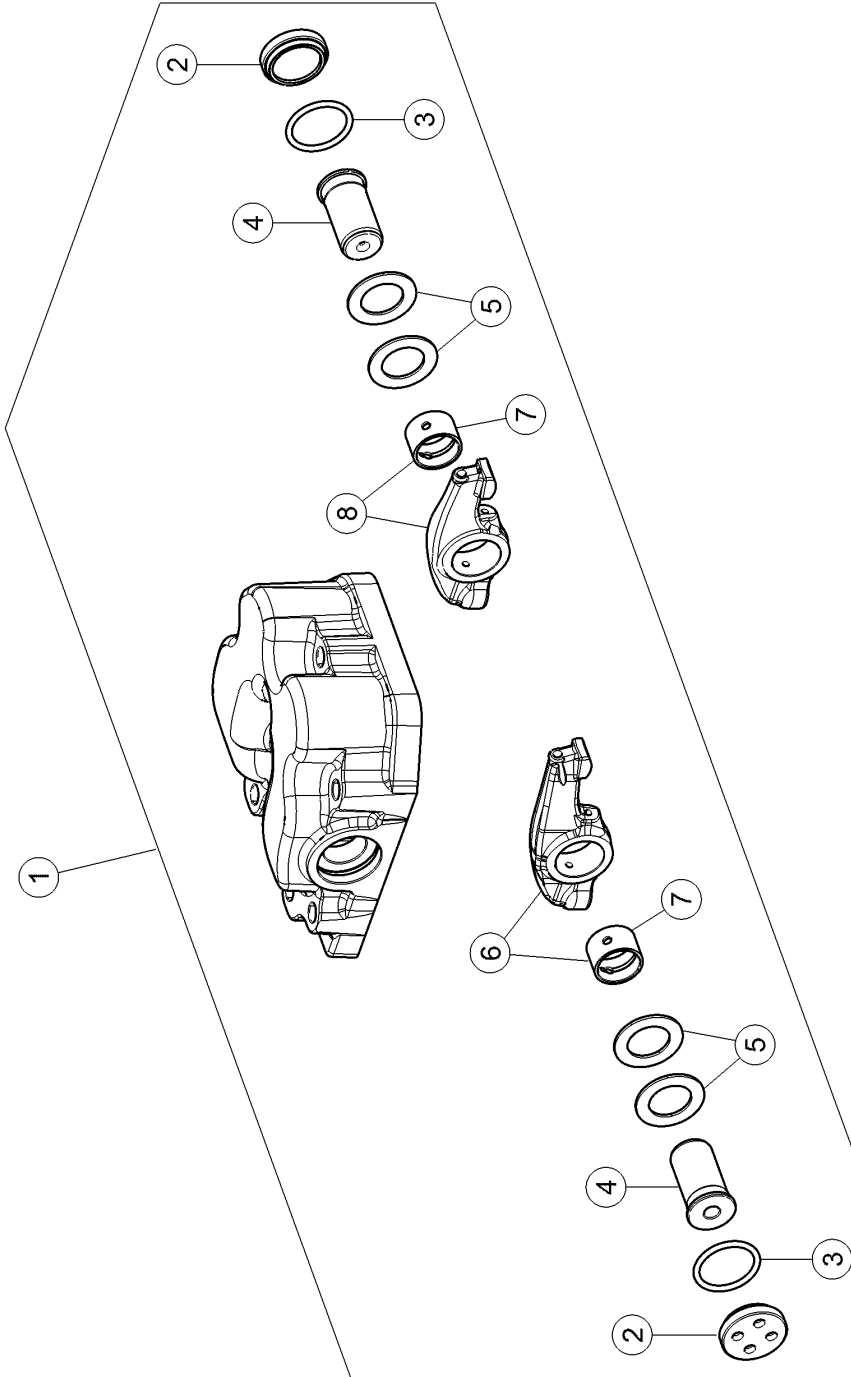
120 CYLINDER HEAD COVER

Pos.	Part No.	Description	Dimension	Quantity	Conditions
1	00 1154 078 0	FLAT SEAL		3	
2	79 0305 304 5	WASHER	8X22X1,5 ERS.D.234271.0	24	
3	77 0300 911 0	SCREW	M8X40 ERS.D.1070512.1	12	
4	60 0500 900 0	SCREW		12	



140 VALVES

Pos.	Part No.	Description	Dimension	Quantity	Conditions
1	00 1154 079 0	ENGINE VALVE		3	1)
2	00 1154 080 0	ENGINE VALVE		3	2)
3	00 1154 081 0	VALVE SEAT		3	1)
4	00 1154 082 0	VALVE SEAT		3	2)
5	00 1154 083 0	GUIDE		6	
6	00 1154 084 0	GASKET		6	
7	00 1154 086 0	SPRING		6	
8	00 1154 087 0	CUP		6	
9	00 1154 088 0	HALF-CONE		12	
1)	Remarks		Echapt		
2)	Remarks		Adm.		



160 ROCKER ARM

Pos.	Part No.	Description	Dimension	Quantity	Conditions
1	00 1154 090 0	ROCKER COVER		3	
2	00 1154 091 0	COVER		6	
3	60 0010 289 7	O-RING		6	
4	00 1154 092 0	SHAFT		6	
5	00 1154 093 0	WASHER		12	
6	00 1154 094 0	ROCKER ARM		3	
7	00 1154 095 0	BEARING BUSH		6	
8	00 1154 096 0	ROCKER ARM		3	



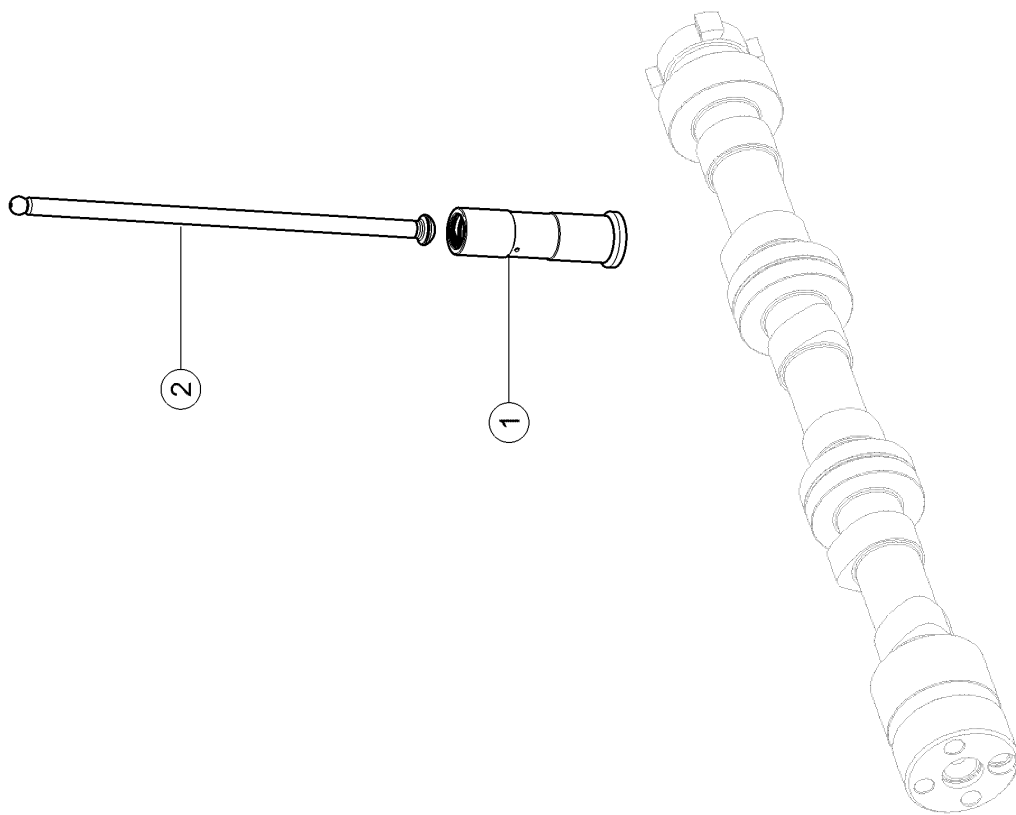
Suggest:

For more complete manuals. Please go to the home page.

<https://www.ebooklibonline.com>

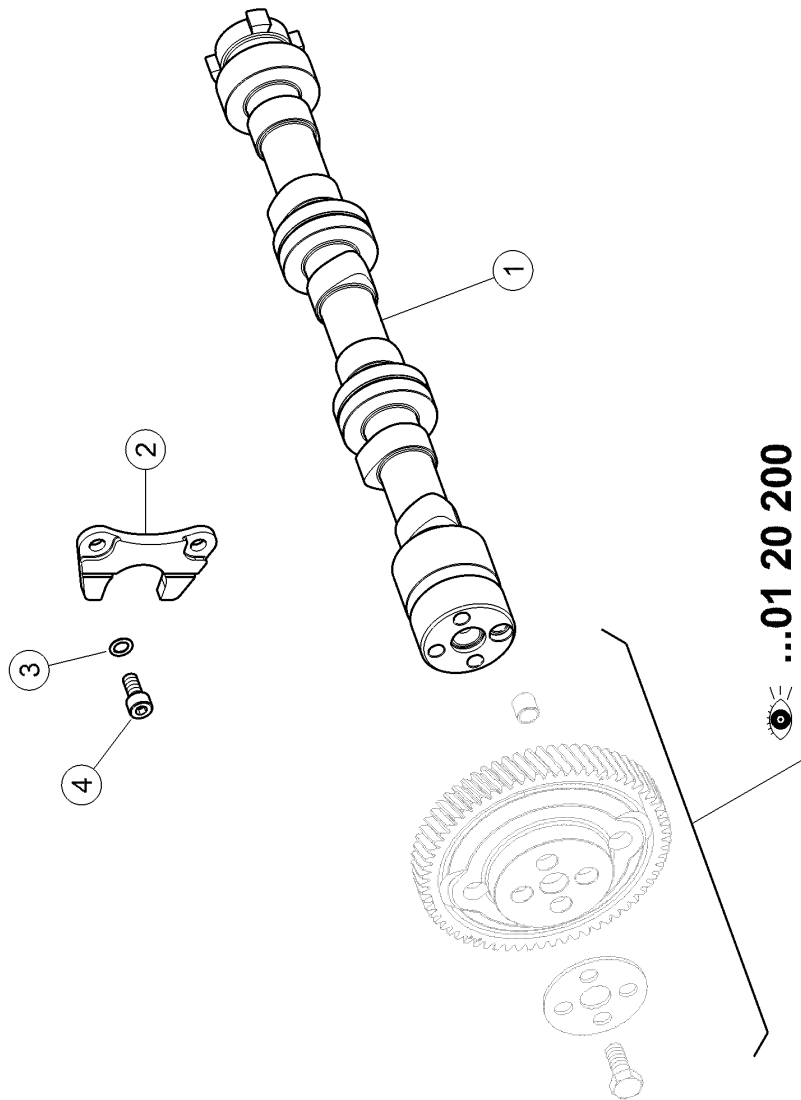
If the above button click is invalid. Please download this document first, and then click the above link to download the complete manual.

Thank you so much for reading



160 ROCKER ARM

Pos.	Part No.	Description	Dimension	Quantity	Conditions
1	00 1154 097 0	PUSHROD		6	
2	00 1154 098 0	ROD		6	



180 CAMSHAFT, CAMSHAFT BEARING BUSHES

Pos.	Part No.	Description	Dimension	Quantity	Conditions
1	00 1158 847 0	CAMSHAFT		1	
2	00 1154 100 0	PAD		1	
3	79 0305 317 5	WASHER	8X16X1,5 ERS.D.0236912.2	2	
4	77 0300 901 9	SCREW	M8X20 ERS.D.1070494.1	2	

<https://www.ebooklibonline.com>

Hello dear friend!

Thank you very much for reading.

Enter the link into your browser.

The full manual is available for immediate download.

<https://www.ebooklibonline.com>