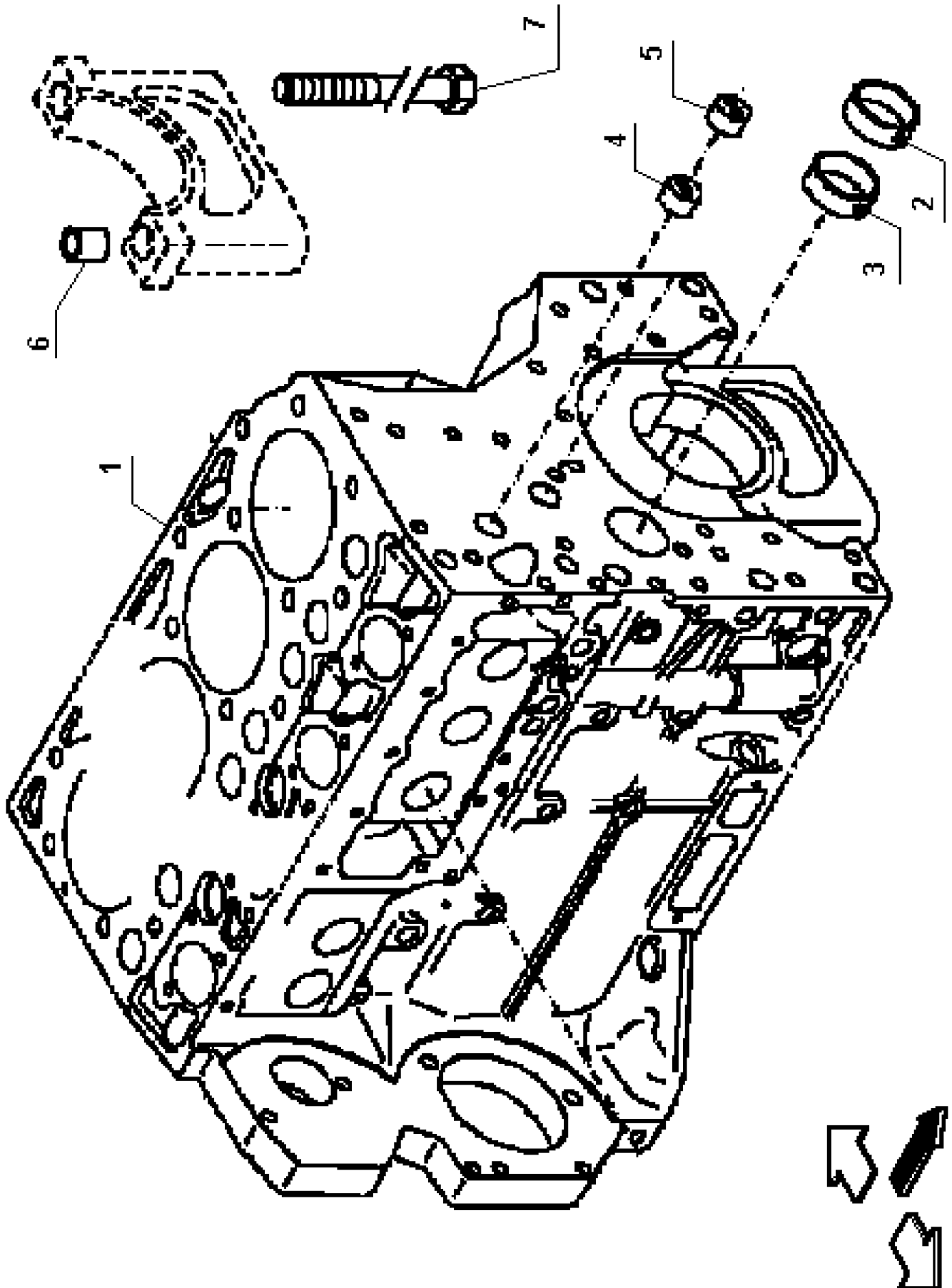


**010 COMPLETE ENGINE**

<b>Pos.</b>	<b>Part No.</b>	<b>Description</b>	<b>Dimension</b>	<b>Quantity</b>	<b>Conditions</b>
1	<b>77 0006 150 5</b>	ENGINE		1	1)
1	<b>77 0006 150 6</b>	ENGINE	BF 6M 1013FC 186KW TIER	1	2)
1	<b>00 1115 118 0</b>	ENGINE	DEUTZ BF6M1013FC TIER 2	1	3)
<b>1)</b>	<b>Homologationtype</b>			+ 4522 226 CH	
<b>2)</b>	<b>Homologationtype</b>			+ 4532 250 CH	
<b>3)</b>	<b>Homologationtype</b>			+ 4552 270 CH	



**<https://www.ebooklibonline.com>**

Hello dear friend!

Thank you very much for reading.

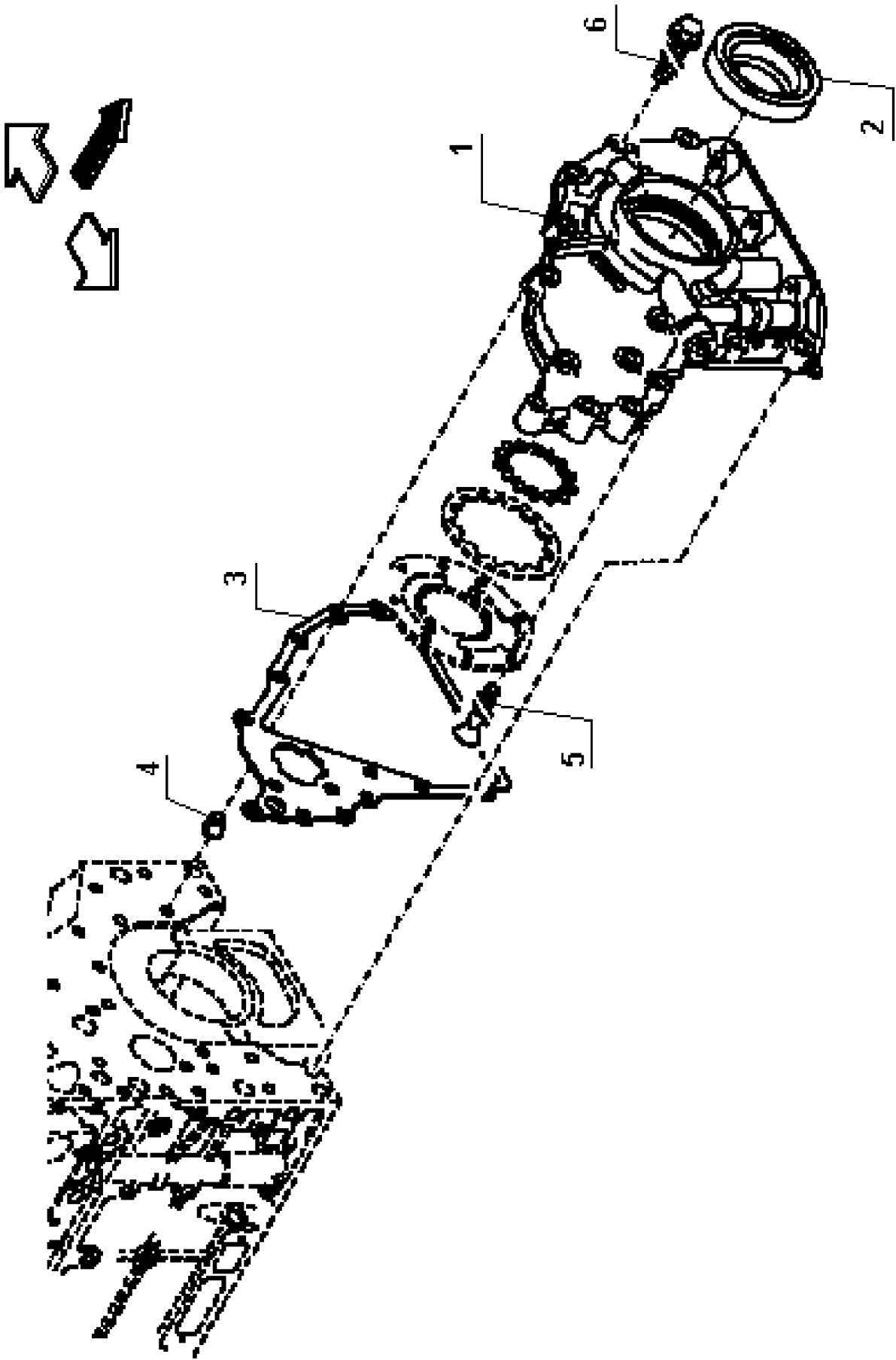
Enter the link into your browser.

The full manual is available for immediate download.

**<https://www.ebooklibonline.com>**

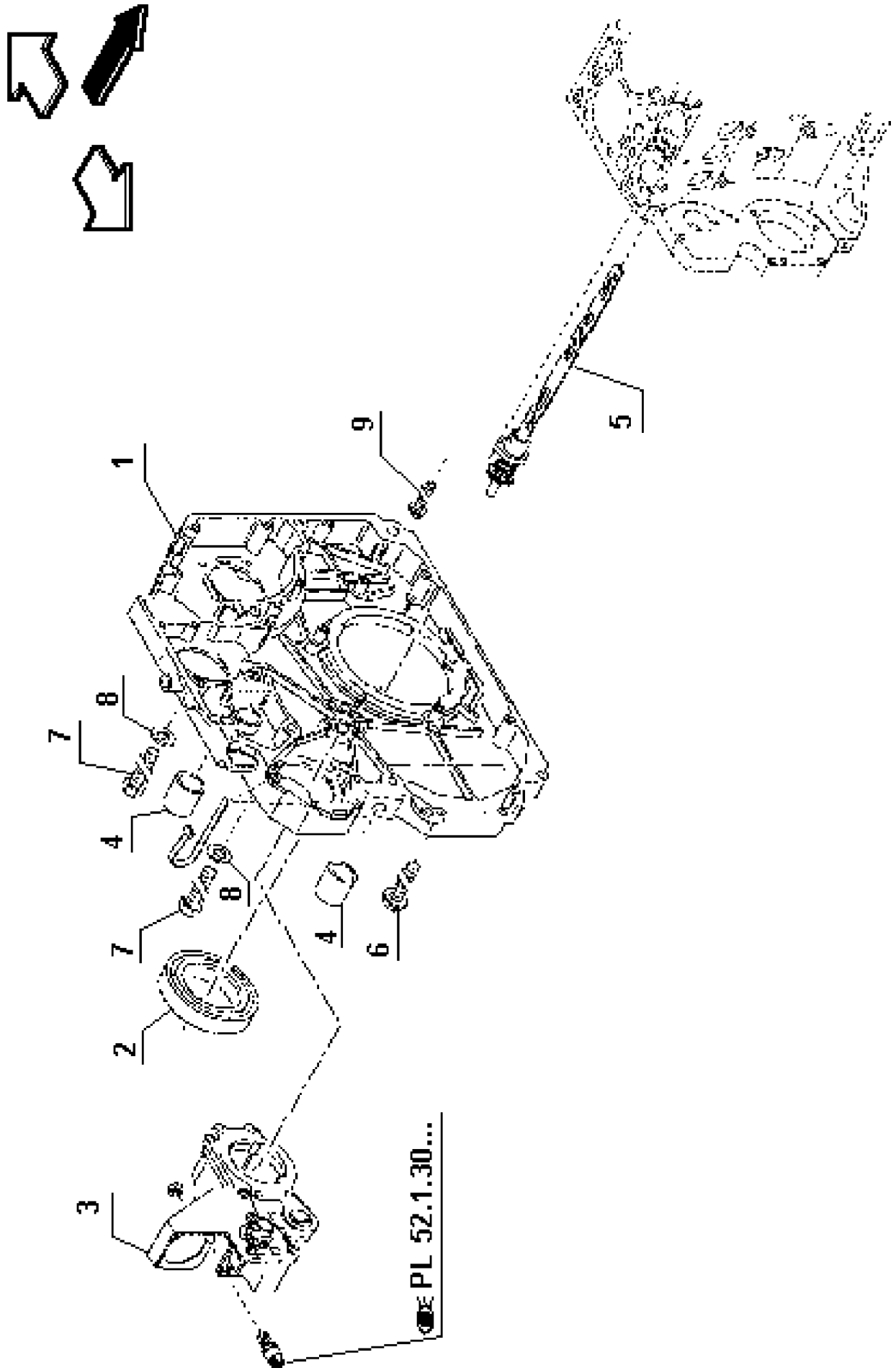
**100 CRANKCASE**

<b>Pos.</b>	<b>Part No.</b>	<b>Description</b>	<b>Dimension</b>	<b>Quantity</b>	<b>Conditions</b>
1	<b>00 1131 062 0</b>	CRANKCASE		1	
2	<b>60 0502 628 0</b>	RING		6	
3	<b>60 0502 628 1</b>	RING		1	
4	<b>60 0502 628 2</b>	SLEEVE		1	
5	<b>60 0502 628 3</b>	BUSHING		1	
6	<b>60 0502 628 4</b>	BUSHING		14	
7	<b>60 0502 628 5</b>	SCREW		14	



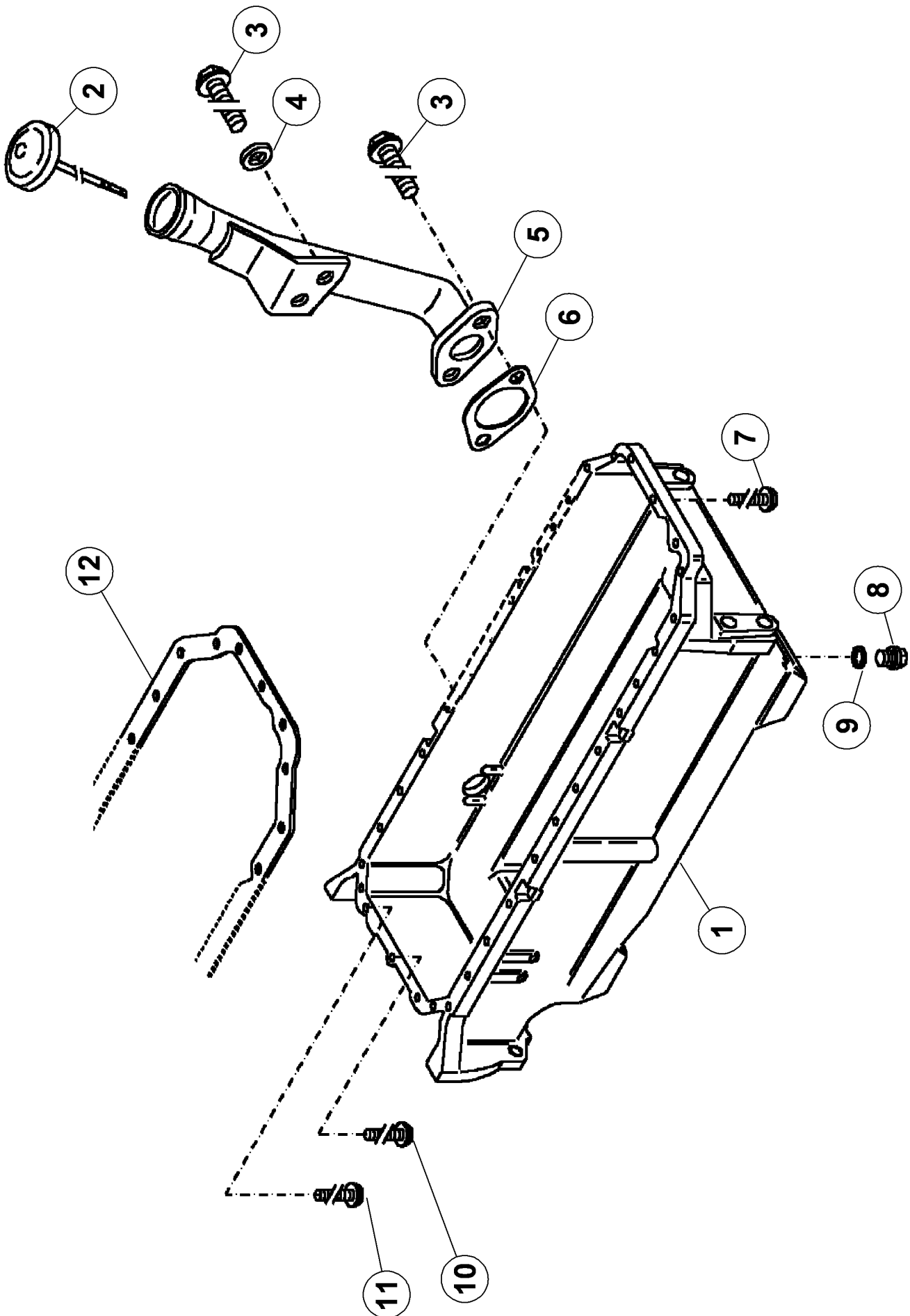
**100 CRANKCASE**

<b>Pos.</b>	<b>Part No.</b>	<b>Description</b>	<b>Dimension</b>	<b>Quantity</b>	<b>Conditions</b>
1	<b>60 0502 884 8</b>	COVER		1	
2	<b>60 0502 628 7</b>	SEAL RING		1	
3	<b>00 1133 967 0</b>	SEAL RING		1	
4	<b>60 0502 628 9</b>	SLEEVE		1	
5	<b>60 0502 629 0</b>	SCREW	M 6X 16	8	
6	<b>60 0502 629 1</b>	HEXAGON HEAD BOLT	M8X35-F	14	



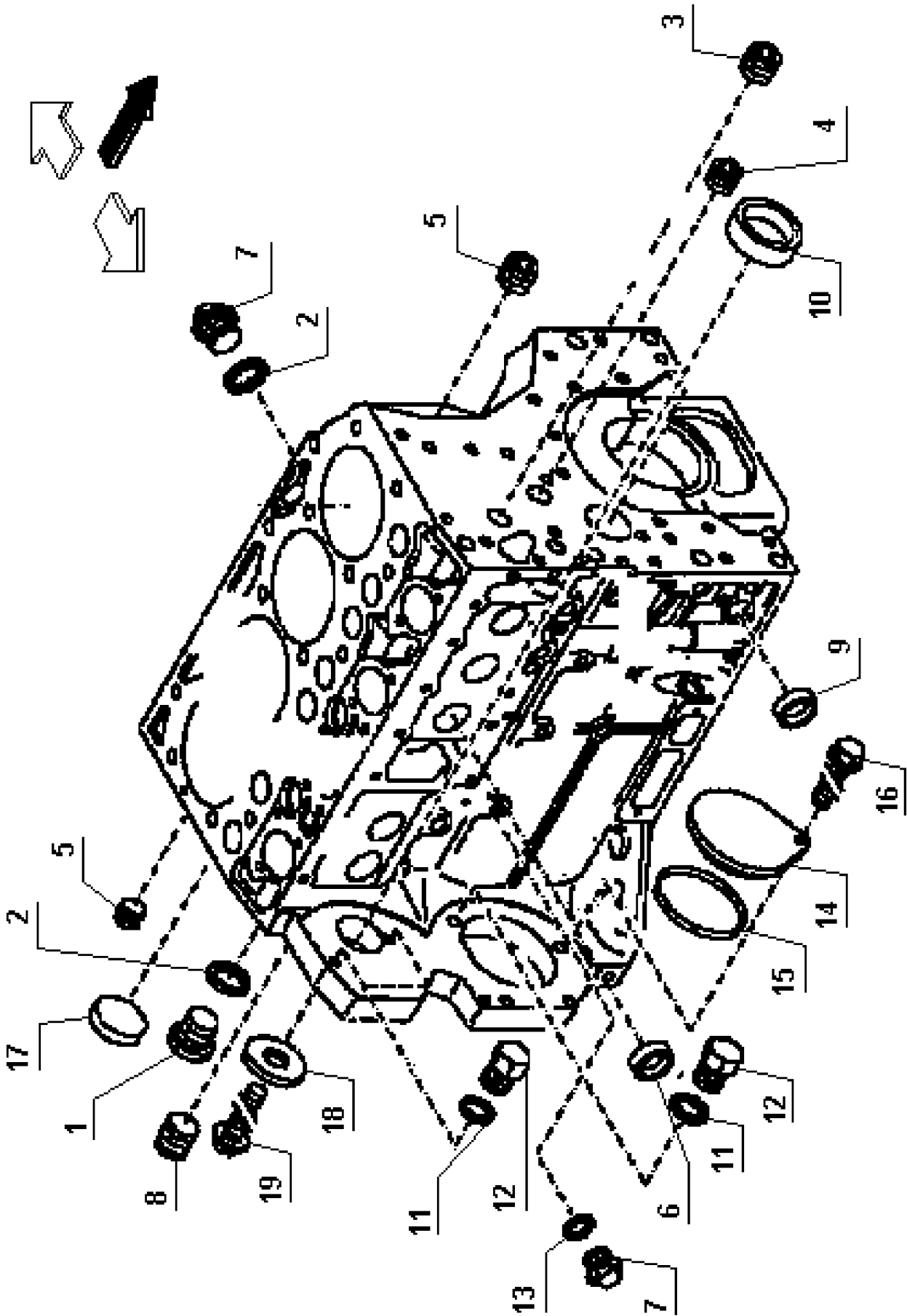
**120 TIMING CASE**

<b>Pos.</b>	<b>Part No.</b>	<b>Description</b>	<b>Dimension</b>	<b>Quantity</b>	<b>Conditions</b>
1	<b>00 1138 076 0</b>	HOUSING		1	
2	<b>60 0502 631 0</b>	SEAL RING		1	
3	<b>00 1135 063 0</b>	REGULATOR		1	
4	<b>60 0502 631 1</b>	BUSHING		2	
5	<b>60 0502 631 2</b>	ROD		1	
6	<b>60 0502 629 1</b>	HEXAGON HEAD BOLT	M8X35-F	12	
7	<b>60 0502 631 7</b>	SCREW		2	
8	<b>60 0502 631 8</b>	WASHER	A17	2	
9	<b>60 0502 631 5</b>	SCREW		1	



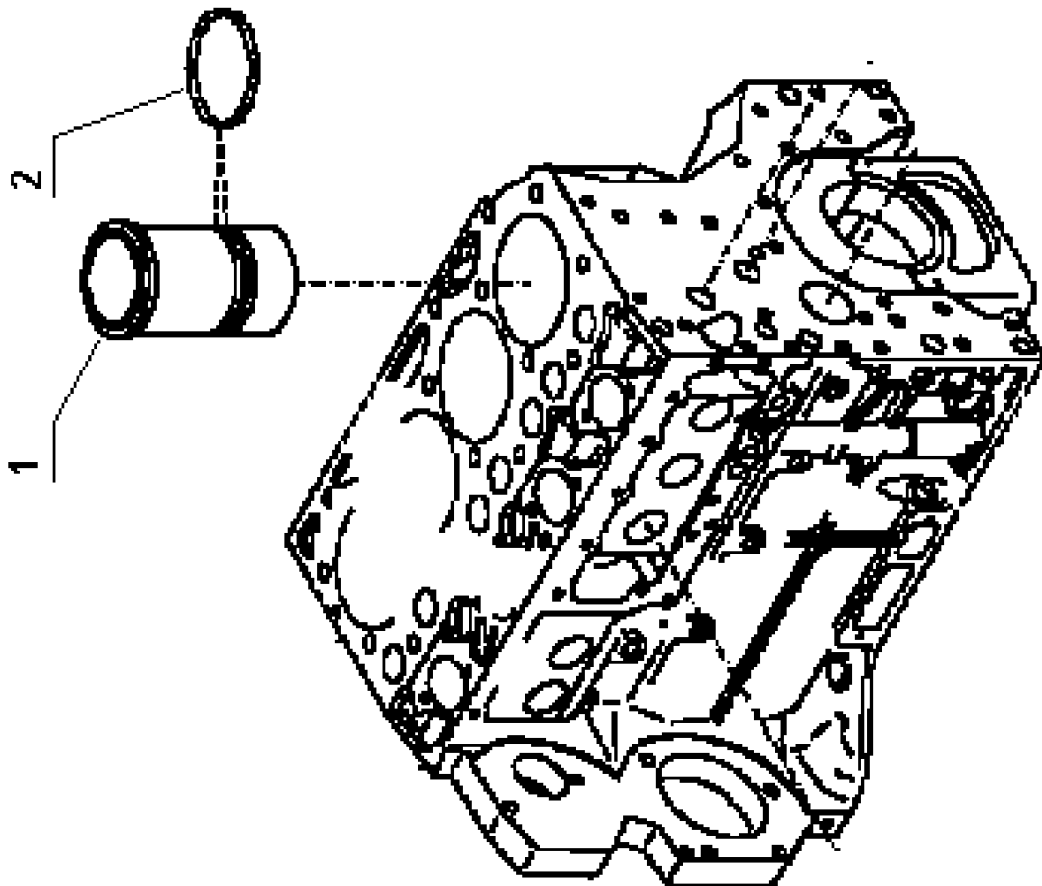
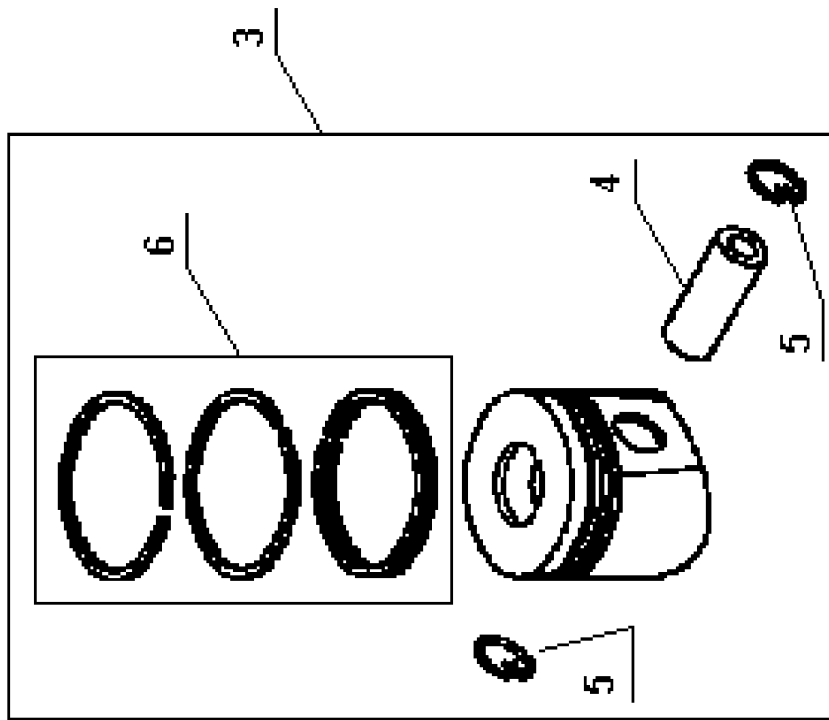
**160 OIL PAN**

<b>Pos.</b>	<b>Part No.</b>	<b>Description</b>	<b>Dimension</b>	<b>Quantity</b>	<b>Conditions</b>
1	<b>60 0502 631 9</b>	OIL SUMP		1	
2	<b>60 0502 632 5</b>	LOCK		1	
3	<b>60 0502 631 5</b>	SCREW		3	
4	<b>60 0502 633 0</b>	WASHER		1	
5	<b>60 0502 632 3</b>	TUBE		1	
6	<b>60 0502 632 4</b>	SEALING RING	35X58X1,5	1	
7	<b>60 0502 629 1</b>	HEXAGON HEAD BOLT	M8X35-F	27	
8	<b>00 1131 076 0</b>	PLUG		1	
9	<b>60 0502 632 1</b>	SEALING RING	18X24-1,34	1	
10	<b>60 0502 632 8</b>	SCREW	M08X130-F	1	
11	<b>60 0502 632 7</b>	HEXAGON HEAD SCREW	M08X140-F	6	
12	<b>60 0502 632 2</b>	GASKET		1	



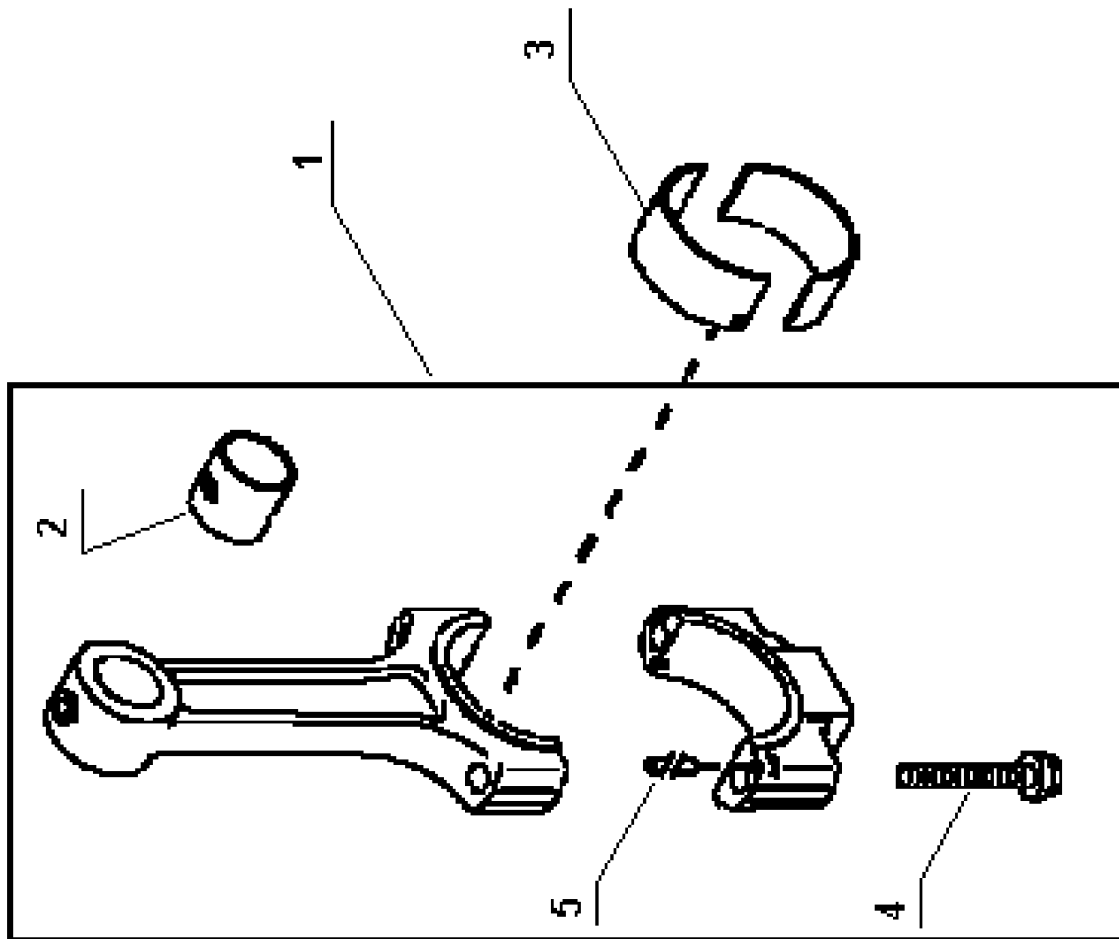
**180 PLUGS**

<b>Pos.</b>	<b>Part No.</b>	<b>Description</b>	<b>Dimension</b>	<b>Quantity</b>	<b>Conditions</b>
1	<b>60 0502 629 3</b>	LOCK		2	
2	<b>60 0500 090 3</b>	SEALING RING		4	
3	<b>60 0502 629 4</b>	PLUG		1	
4	<b>60 0502 629 5</b>	LOCK		1	
5	<b>60 0502 629 6</b>	LOCK		2	
6	<b>60 0502 629 7</b>	LOCK		10	
7	<b>60 0502 629 8</b>	PLUG	A-M14X1,5	2	
8	<b>60 0502 629 9</b>	LOCK		1	
9	<b>60 0502 630 0</b>	LOCKING COVER	A 36	1	
10	<b>60 0502 630 1</b>	LOCK		1	
11	<b>60 0502 680 3</b>	WASHER		3	
12	<b>60 0502 630 2</b>	LOCK		3	
13	<b>60 0500 092 9</b>	SEALING RING		1	
14	<b>60 0503 060 5</b>	COVER		1	
15	<b>60 0502 630 4</b>	O-RING	96 X 4	1	
16	<b>60 0502 630 5</b>	SCREW	F-M10X 20	1	
17	<b>60 0502 630 6</b>	COVER		1	
18	<b>60 0502 630 7</b>	WASHER		1	
19	<b>60 0502 630 8</b>	SCREW		1	



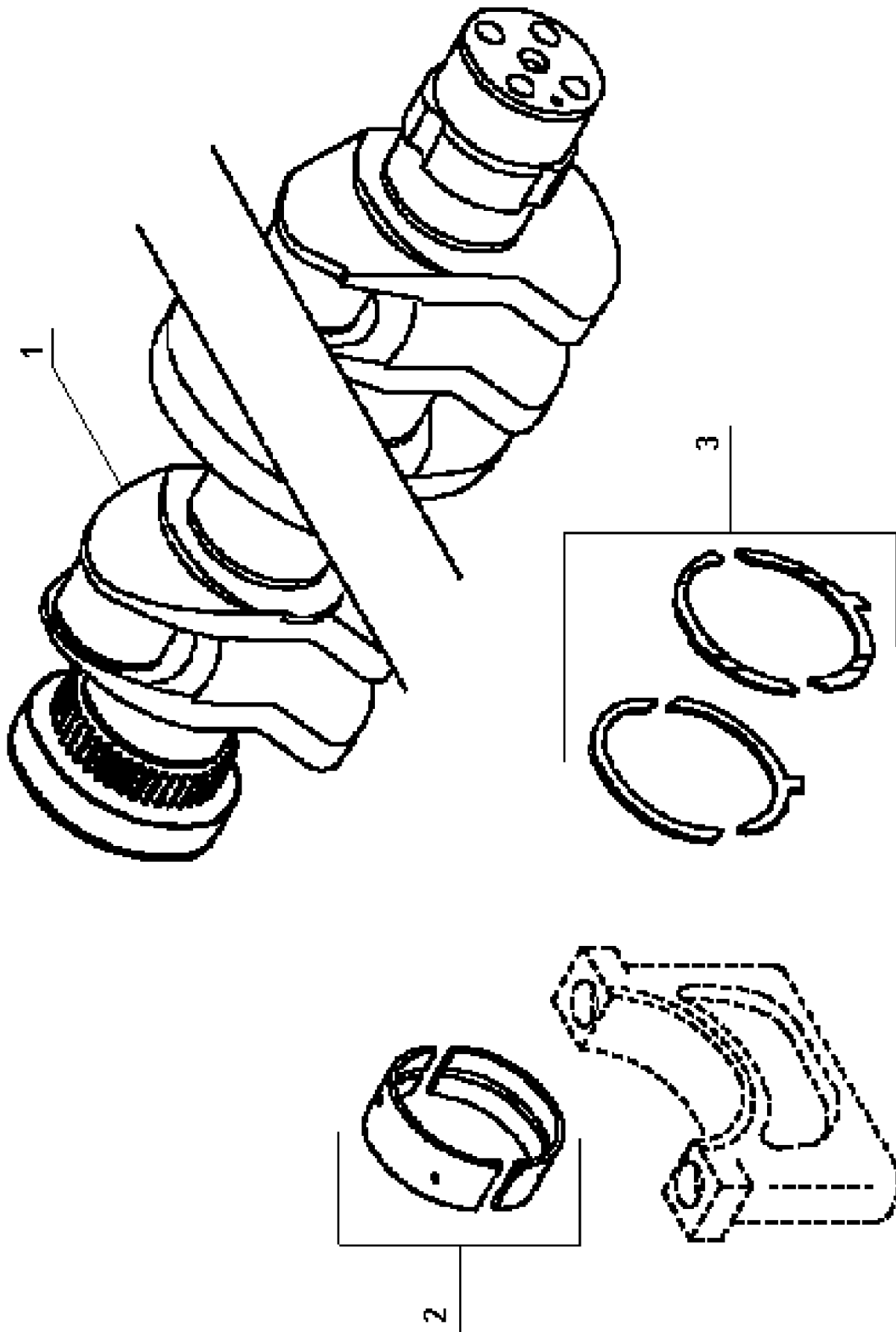
**100 CYLINDER LINER, PISTON**

<b>Pos.</b>	<b>Part No.</b>	<b>Description</b>	<b>Dimension</b>	<b>Quantity</b>	<b>Conditions</b>
1	<b>60 0503 069 3</b>	CYLINDER LINER		6	
2	<b>60 0502 633 2</b>	O-RING	112 X 3	12	
3	<b>60 0503 069 6</b>	ENGINE PISTON		6	
4	<b>60 0502 633 4</b>	PISTON BOLT		6	
5	<b>60 0502 633 5</b>	INT RETAINING RING	42 X 1,75	2	
6	<b>60 0502 633 8</b>	SET OF PISTON RINGS		6	



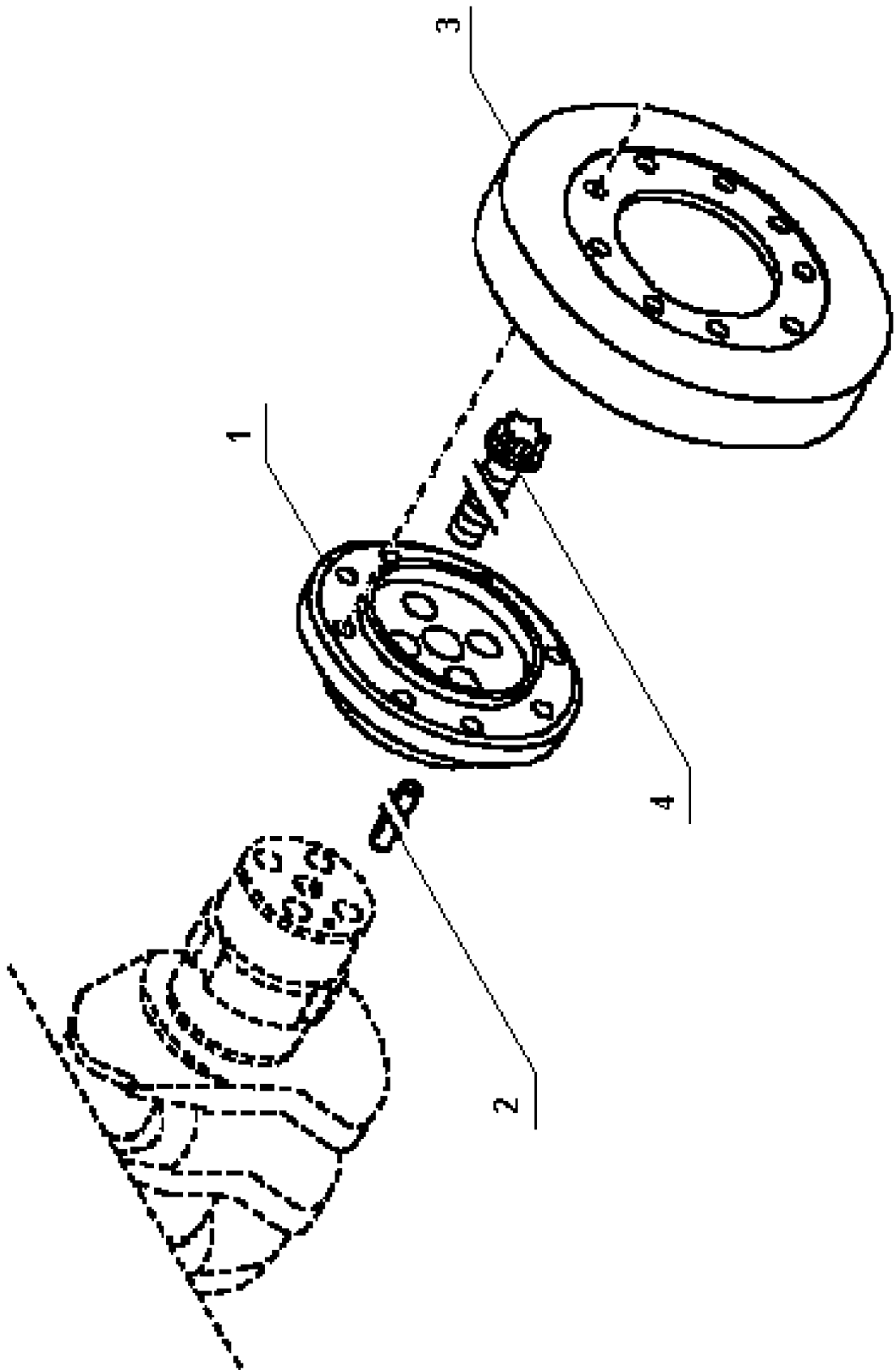
**120 CONNECTING ROD, CONNECTING ROD BEARINGS**

<b>Pos.</b>	<b>Part No.</b>	<b>Description</b>	<b>Dimension</b>	<b>Quantity</b>	<b>Conditions</b>
1	<b>60 0502 633 9</b>	ROD (ENGINE)		6	
2	<b>60 0502 634 0</b>	RING		6	
3	<b>60 0503 154 4</b>	BEARING		6	1)
3	<b>60 0503 154 5</b>	BEARING		6	2)
3	<b>60 0503 154 6</b>	BEARING		6	3)
4	<b>60 0502 634 4</b>	SCREW		12	
5	<b>60 0502 634 5</b>	PIN		12	
<b>1)</b>	<b>Remarks</b>		DI.68mm		
<b>2)</b>	<b>Remarks</b>		DI .67.75mm		
<b>3)</b>	<b>Remarks</b>		DI.67,50mm		



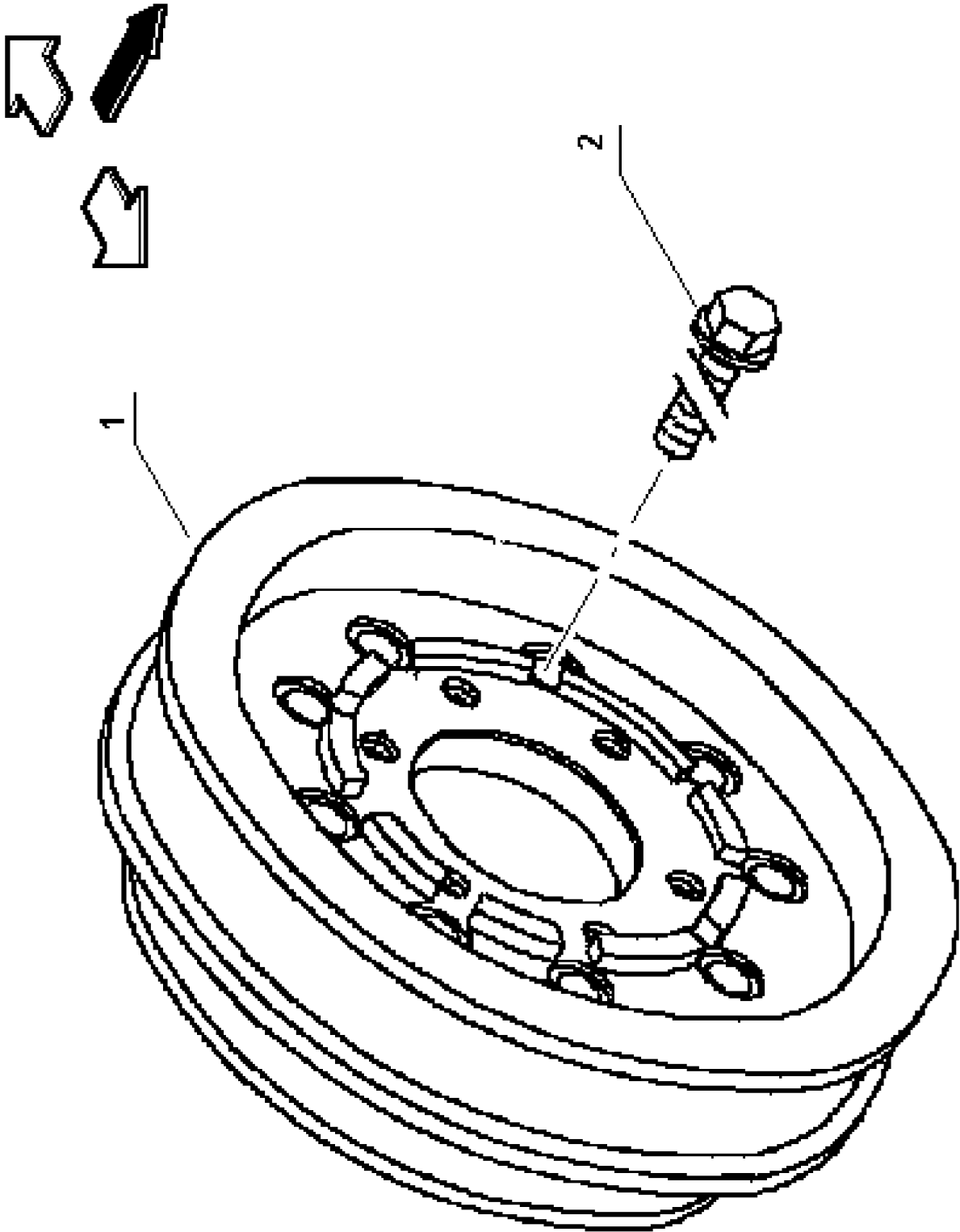
**140 CRANKSHAFT**

<b>Pos.</b>	<b>Part No.</b>	<b>Description</b>	<b>Dimension</b>	<b>Quantity</b>	<b>Conditions</b>
1	<b>60 0502 634 6</b>	CRANKSHAFT		1	
2	<b>00 1144 843 0</b>	BEARING		7	1)
2	<b>60 0502 635 0</b>	BEARING/CRANK		7	2)
2	<b>60 0502 635 1</b>	BEARING		7	3)
3	<b>60 0502 634 8</b>	STOP		1	4)
3	<b>00 1145 023 0</b>	WASHER		2	5)
<b>1)</b>	<b>Remarks</b>		Std.(85mm)		
<b>2)</b>	<b>Remarks</b>		84,75mm		
<b>3)</b>	<b>Remarks</b>		84,5mm		
<b>4)</b>	<b>Remarks</b>		Std.(2,9mm)		
<b>5)</b>	<b>Remarks</b>		3,1mm		



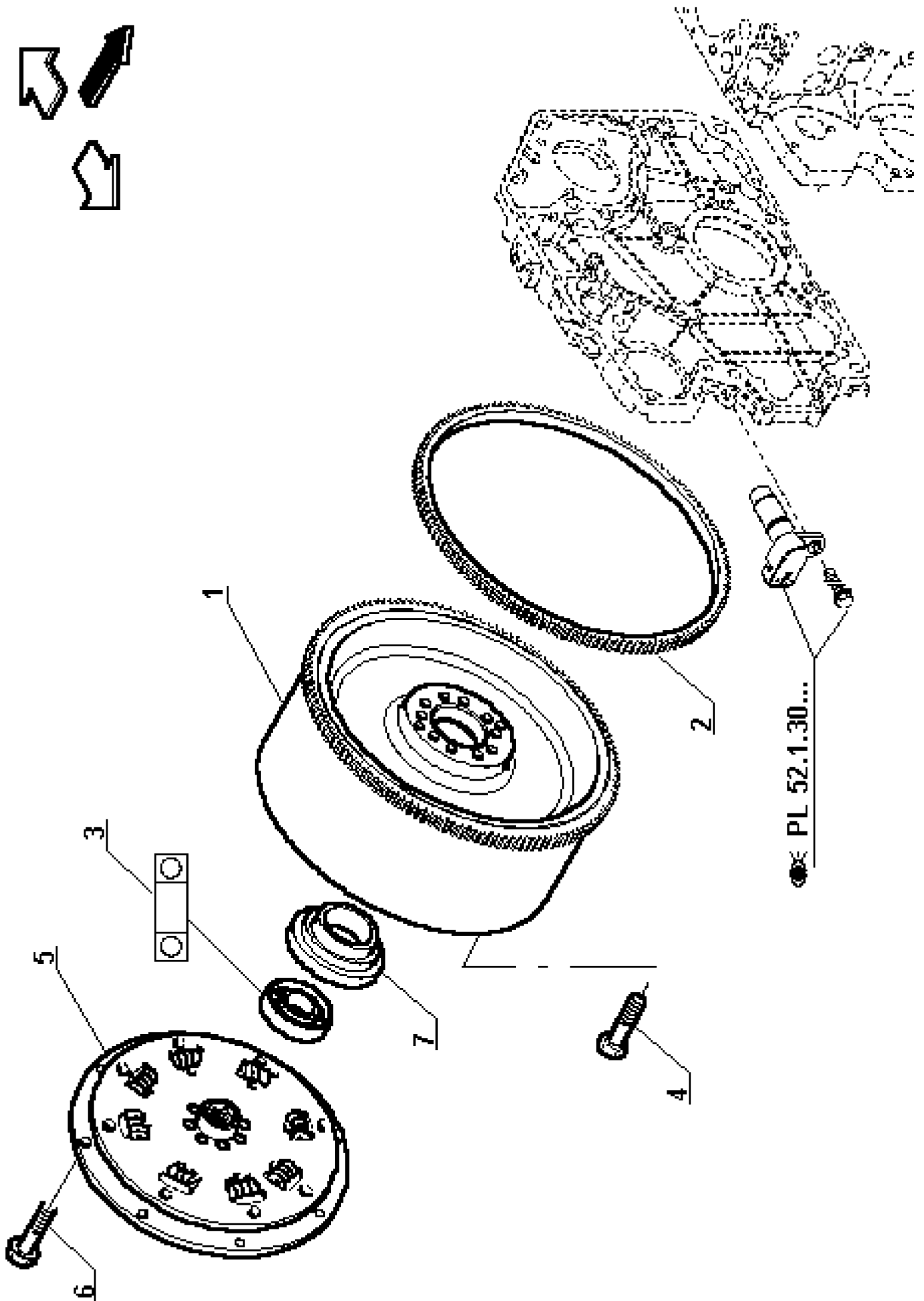
**140 CRANKSHAFT**

<b>Pos.</b>	<b>Part No.</b>	<b>Description</b>	<b>Dimension</b>	<b>Quantity</b>	<b>Conditions</b>
1	<b>60 0502 635 3</b>	FLANGE		1	
2	<b>60 0502 635 4</b>	BUSHING		1	
3	<b>60 0502 635 5</b>	ANTI-VIBRATION WHEEL		1	
4	<b>60 0503 083 9</b>	SCREW	B M16X1, 5X80-AUS-6RD E20	4	



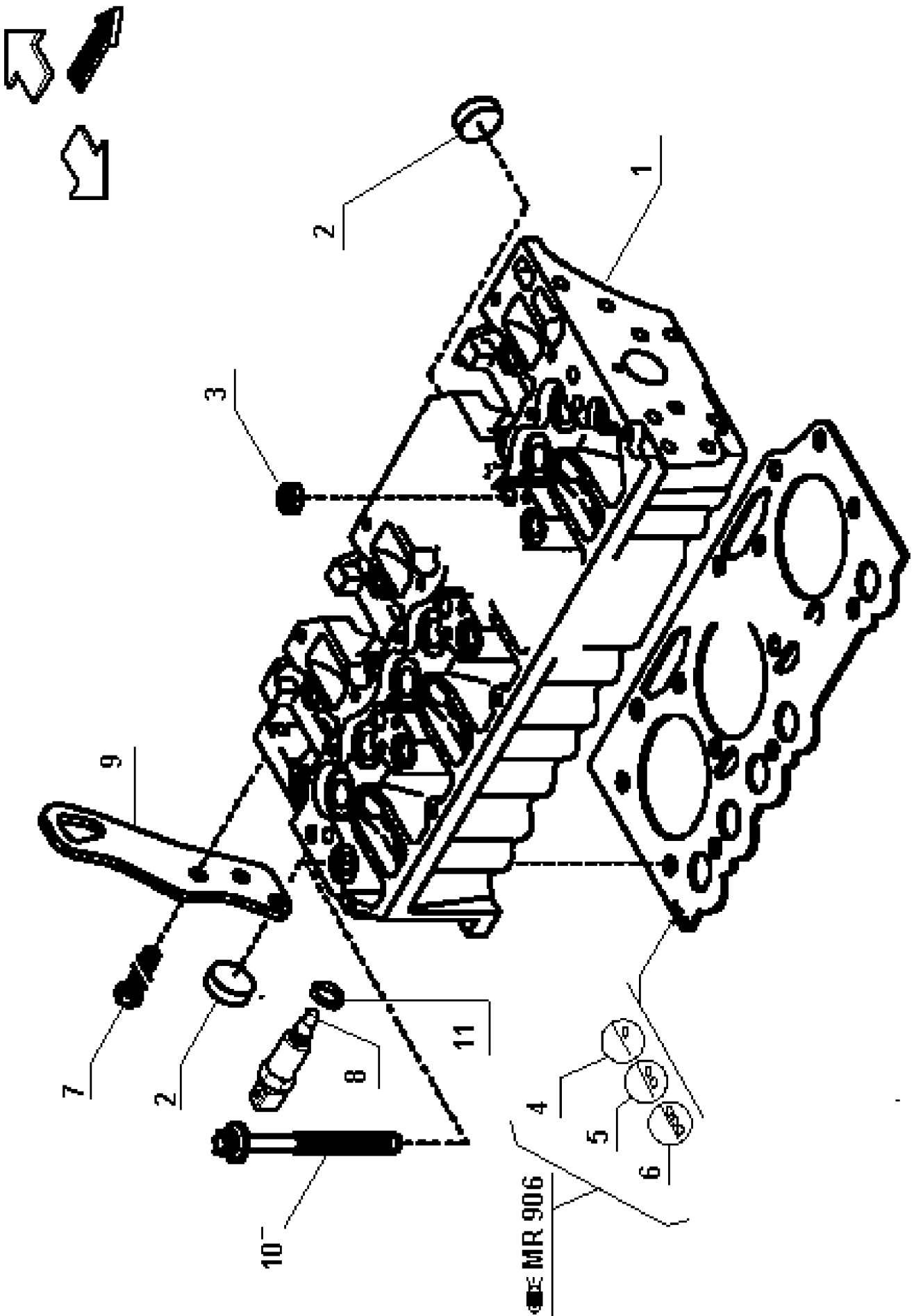
**161 CRANKSHAFT PULLEY WHEEL**

<b>Pos.</b>	<b>Part No.</b>	<b>Description</b>	<b>Dimension</b>	<b>Quantity</b>	<b>Conditions</b>
1	<b>60 0502 655 9</b>	V-BELT PULLEY		1	
2	<b>77 0005 997 8</b>	HEXAGON HEAD BOLT	M10X40	9	



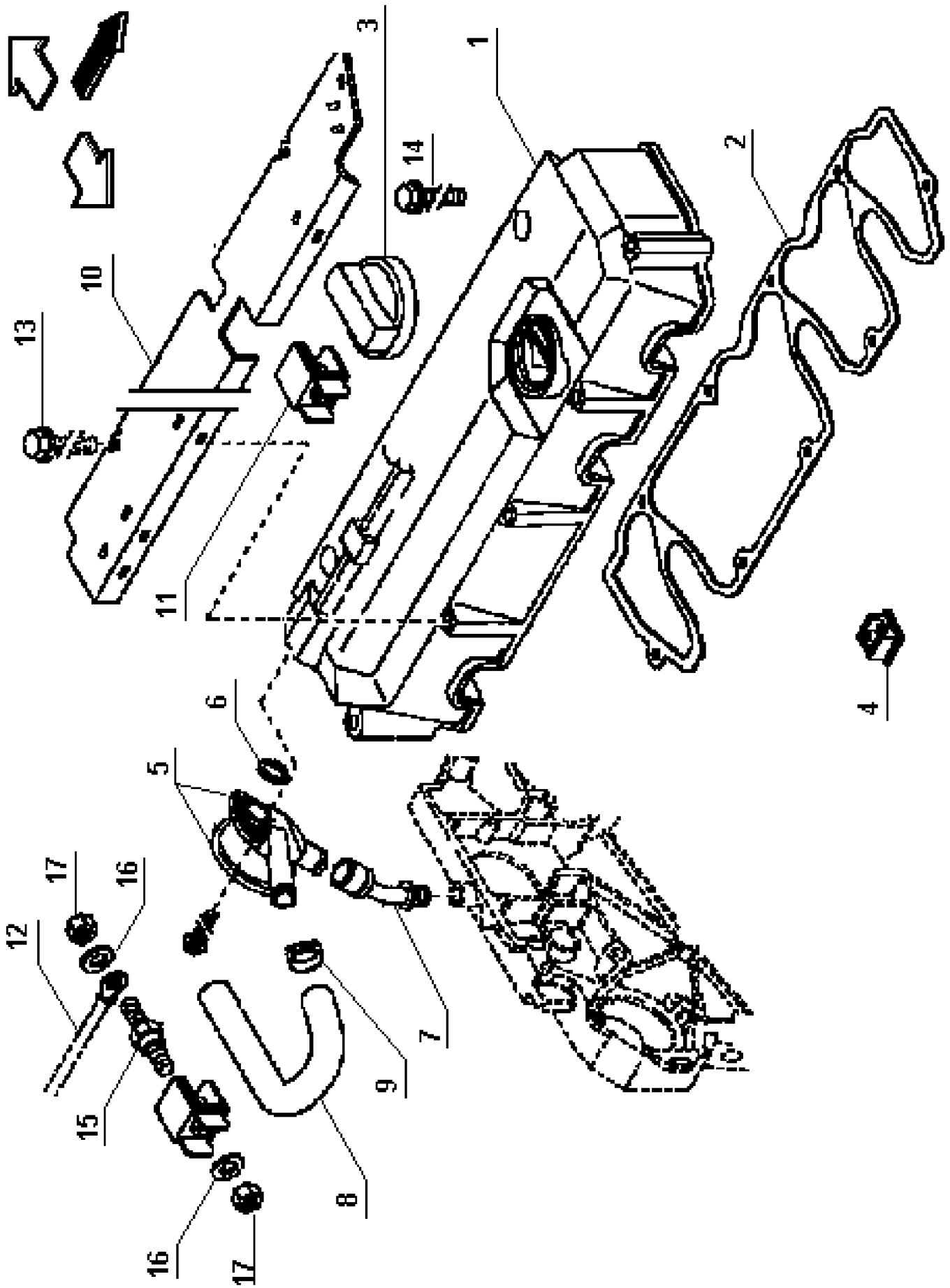
**220 FLYWHEEL**

<b>Pos.</b>	<b>Part No.</b>	<b>Description</b>	<b>Dimension</b>	<b>Quantity</b>	<b>Conditions</b>
1	<b>77 0005 360 0</b>	FLYWHEEL		1	
2	<b>00 1134 889 0</b>	TOOTHED RIM		1	
3	<b>07 7062 062 3</b>	BEARING-1 BALL		1	1)
4	<b>77 0005 426 6</b>	SCREW		10	2)
5	<b>77 0005 363 7</b>	TORSION DAMPER		1	
6	<b>77 0005 997 8</b>	HEXAGON HEAD BOLT	M10X40	8	3)
7	<b>77 0006 562 7</b>	BUSHING		1	
<b>1)</b>	<b>Remarks</b>		30X62X16		
<b>2)</b>	<b>Remarks</b>		10x100-105/12,9		
<b>3)</b>	<b>Remarks</b>		M10X150-40		



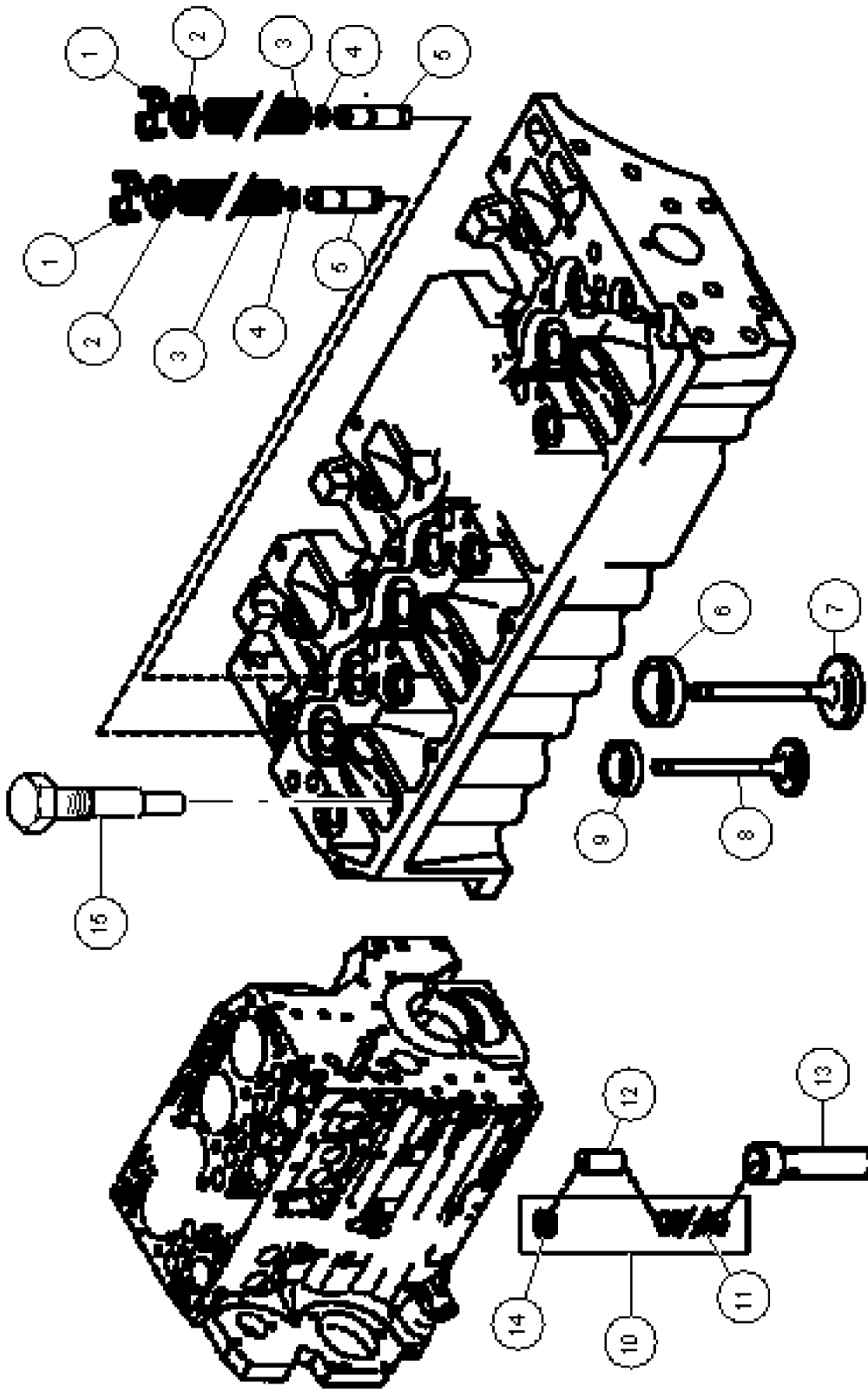
**100 CYLINDER HEAD**

<b>Pos.</b>	<b>Part No.</b>	<b>Description</b>	<b>Dimension</b>	<b>Quantity</b>	<b>Conditions</b>
1	<b>60 0502 636 0</b>	CYLINDER HEAD		1	
2	<b>60 0502 630 0</b>	LOCKING COVER	A 36	5	
3	<b>60 0502 636 2</b>	LOCK		5	
4	<b>60 0502 636 3</b>	CYLINDER HEAD GASKET		1	
5	<b>60 0502 636 4</b>	CYLINDER HEAD GASKET		1	
6	<b>60 0502 636 5</b>	CYLINDER HEAD GASKET		1	
7	<b>60 0502 636 8</b>	SCREW		3	
8	<b>77 0005 893 5</b>	SENSOR		1	1)
9	<b>60 0502 636 6</b>	SUPPORT		1	
10	<b>60 0502 636 7</b>	SCREW		26	
11	<b>77 0007 639 2</b>	SEAL RING		1	2)
<b>1)</b>	<b>Remarks</b>		TEMP EAU		
<b>2)</b>	<b>Remarks</b>		14X18-1,50		



**120 CYLINDER HEAD COVER**

Pos.	Part No.	Description	Dimension	Quantity	Conditions
1	<b>60 0503 048 3</b>	COVER		1	
2	<b>60 0503 009 4</b>	SEAL RING		1	
3	<b>60 0502 637 0</b>	LOCKING COVER		1	
4	<b>60 0502 637 1</b>	COVER		1	
5	<b>60 0502 637 2</b>	REGULATOR		1	
6	<b>60 0502 637 3</b>	SEAL RING		1	
7	<b>60 0502 637 4</b>	RUBBER HOSE		1	
8	<b>60 0502 637 5</b>	TUBE		1	
9	<b>60 0502 637 6</b>	CLAMP	A-29X15	1	
10	<b>60 0502 637 7</b>	PLATE		1	
11	<b>60 0502 637 8</b>	STRIP		2	
12	<b>60 0502 637 9</b>	WIRE		1	
13	<b>60 0502 638 0</b>	SCREW		13	1)
14	<b>60 0502 980 6</b>	SCREW	F-M 6X20	2	2)
15	<b>60 0502 638 2</b>	STUD		2	
16	<b>60 0502 638 3</b>	WASHER	6 -6,4X12X1,6	4	
17	<b>60 0502 638 4</b>	NUT	M06	4	
<b>1)</b>	<b>Remarks</b>				HM 6X1.00-95
<b>2)</b>	<b>Remarks</b>				HM 6 X1.00-20

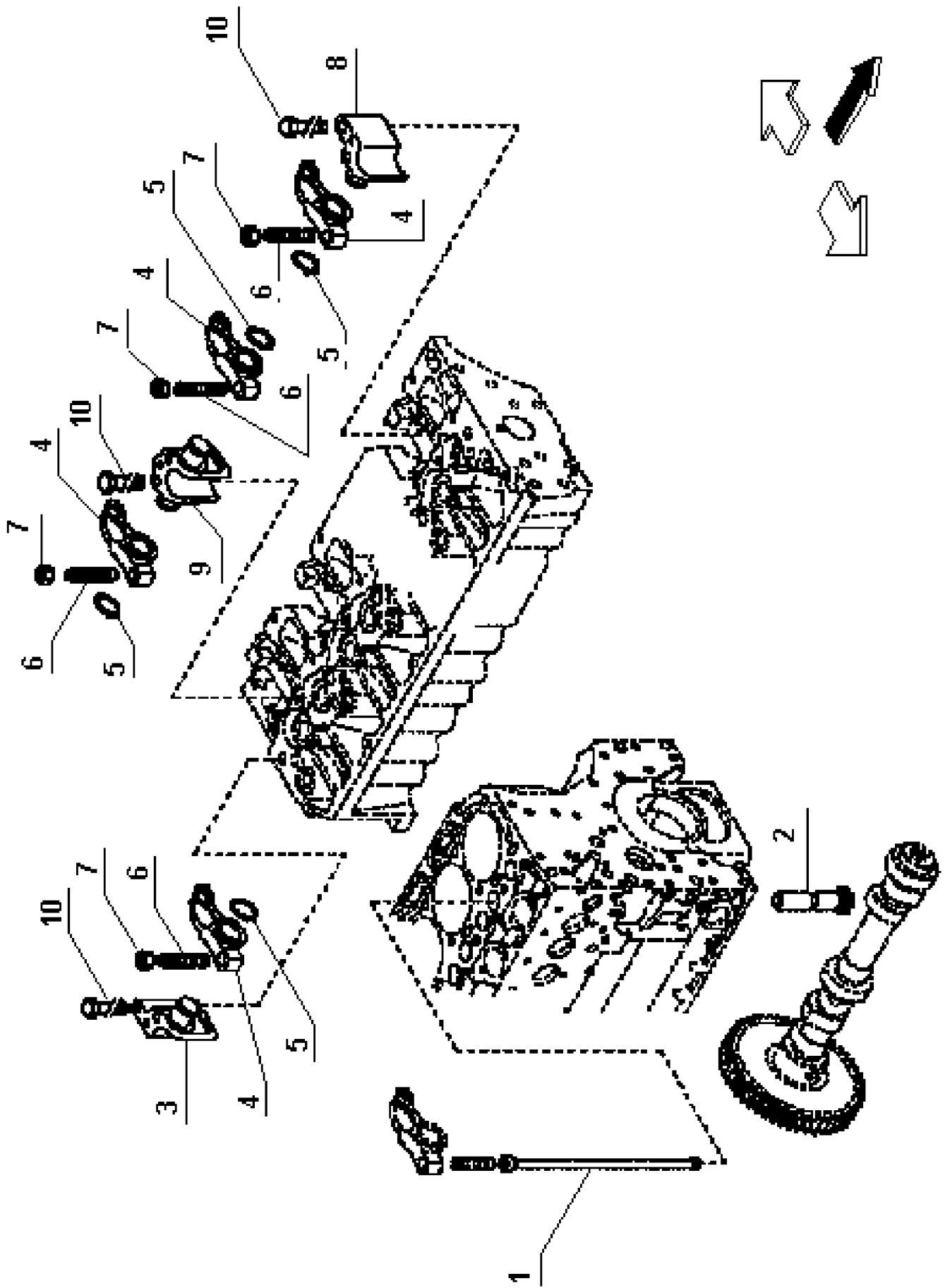


**140 VALVES**

Pos.	Part No.	Description	Dimension	Quantity	Conditions
1	<b>60 0502 638 5</b>	HALF-CONE		24	
2	<b>60 0502 638 6</b>	WASHER		12	
3	<b>60 0502 638 7</b>	SPRING		12	
4	<b>60 0502 638 8</b>	O-RING	9X1,5	12	
5	<b>60 0502 638 9</b>	GUIDE		12	
6	<b>60 0502 639 0</b>	VALVE SEAT		6	1)
7	<b>60 0503 153 8</b>	ENGINE VALVE		6	1)
8	<b>60 0503 153 9</b>	ENGINE VALVE		6	2)
9	<b>60 0502 639 3</b>	VALVE SEAT		6	2)
10	<b>60 0502 639 4</b>	VALVE		1	
11	<b>60 0502 639 5</b>	SPRING		1	
12	<b>60 0502 639 6</b>	ROD		1	
13	<b>60 0502 639 7</b>	BUSHING		1	
14	<b>60 0502 639 8</b>	SHAFT SEAL		1	
15	<b>60 0503 060 4</b>	SCREW		6	

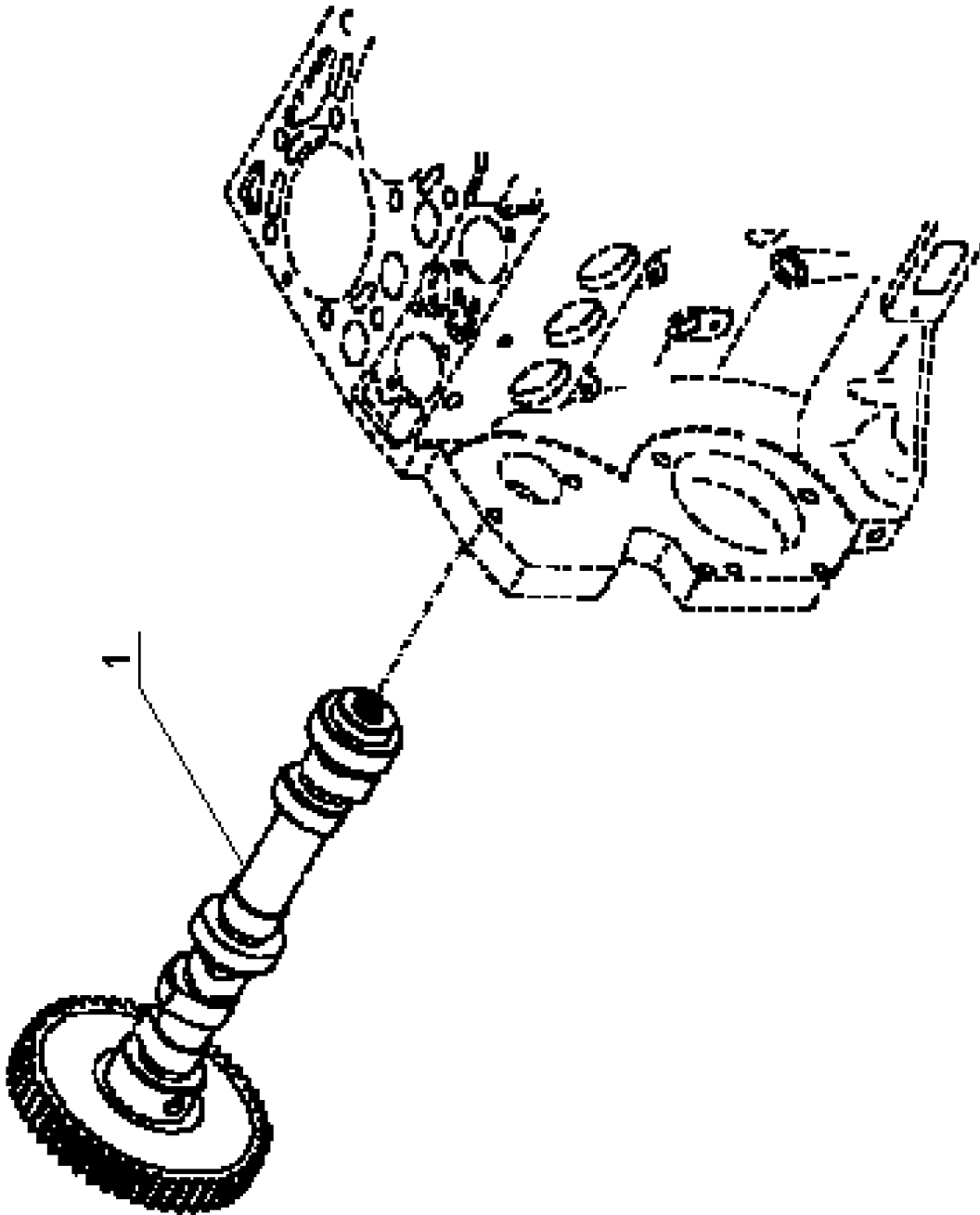
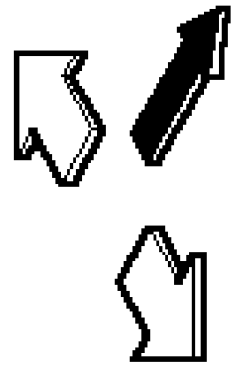
<b>1) Remarks</b>	ADM
-------------------	-----

<b>2) Remarks</b>	ECH
-------------------	-----



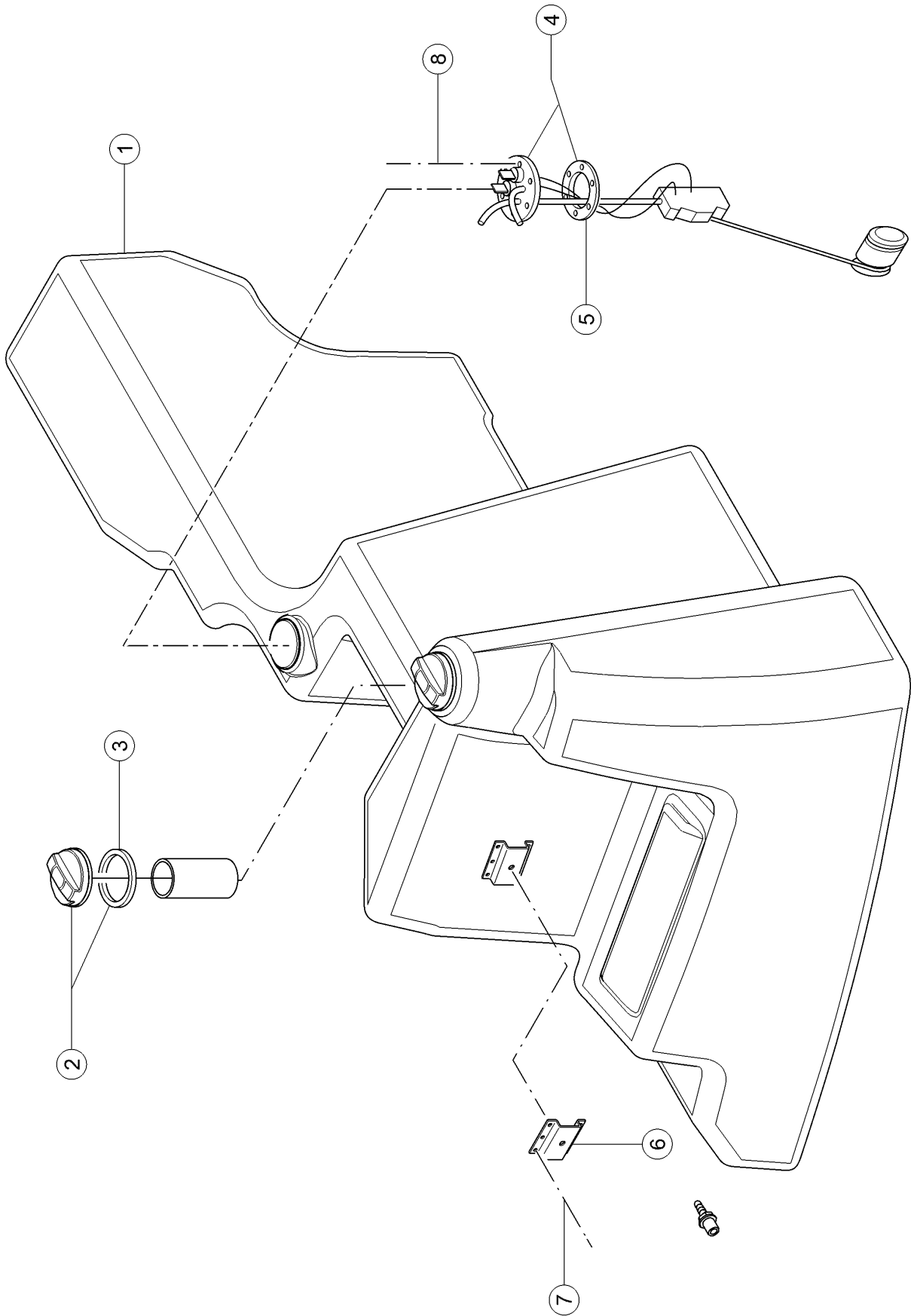
**160 ROCKER ARM**

<b>Pos.</b>	<b>Part No.</b>	<b>Description</b>	<b>Dimension</b>	<b>Quantity</b>	<b>Conditions</b>
1	<b>60 0502 639 9</b>	ROD		12	
2	<b>60 0502 640 0</b>	PUSH BUTTON		12	
3	<b>60 0502 640 1</b>	SUPPORT		1	
4	<b>60 0502 640 2</b>	ROCKER ARM		12	
5	<b>60 0502 640 3</b>	CIRCLIP	21 X 1,2	12	
6	<b>60 0500 072 5</b>	ADJUSTING SCREW		12	
7	<b>60 0502 640 4</b>	HEXAGONAL NUT		12	
8	<b>60 0502 640 5</b>	SUPPORT		1	
9	<b>60 0502 640 6</b>	SUPPORT		5	
10	<b>00 1135 960 0</b>	SCREW	F-M 8X75	24	



**180 CAMSHAFT, CAMSHAFT BEARING BUSHES**

<b>Pos.</b>	<b>Part No.</b>	<b>Description</b>	<b>Dimension</b>	<b>Quantity</b>	<b>Conditions</b>
1	<b>00 1144 428 0</b>	CAMSHAFT		1	





**Suggest:**

**For more complete manuals. Please go to the home page.**

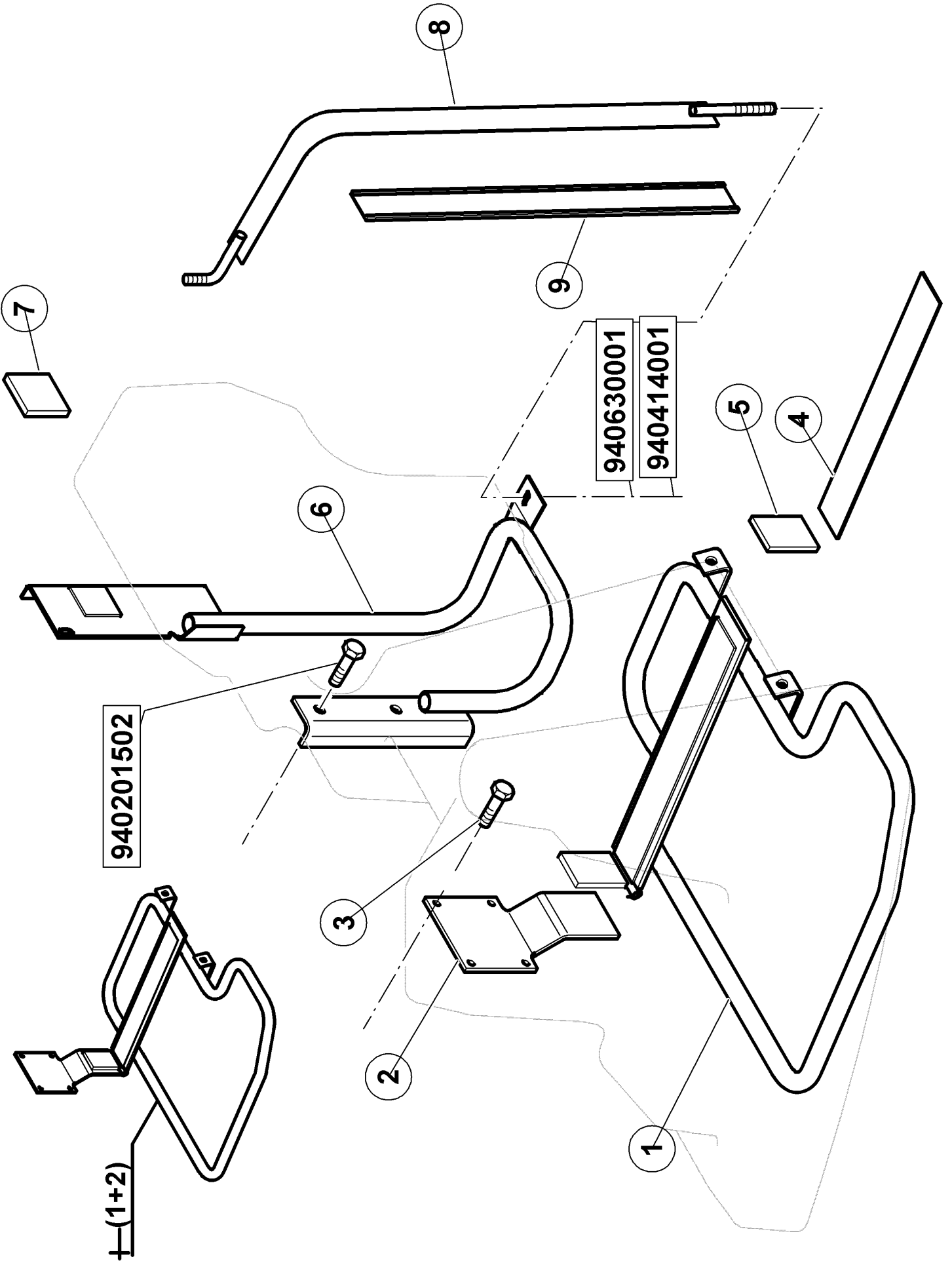
**<https://www.ebooklibonline.com>**

**If the above button click is invalid. Please download this document first, and then click the above link to download the complete manual.**

**Thank you so much for reading**

**100 FUEL TANK 1)**

Pos.	Part No.	Description	Dimension	Quantity	Conditions
1	<b>FA-CONSIGN ES</b>	Consignes - CS		1	
-		<i>Please order!</i> <i>77 0007 586 3 DIESEL TANK</i>		1,000	
2	<b>77 0005 537 1</b>	PLUG		1	
3	<b>77 0005 537 2</b>	O-RING		1	
4	<b>77 0006 451 4</b>	INDICATOR		1	
5	<b>77 0003 904 2</b>	GASKET		1	
6	<b>77 0004 487 2</b>	SUPPORT		1	
7	<b>77 0301 646 8</b>	SCREW		4	
8	<b>77 0301 649 1</b>	SCREW		6	
<b>1)</b>	<b>machine no.</b>	4522	up to CT4521033		
	<b>machine no.</b>	4532	up to CT4531143		
	<b>machine no.</b>	4552	up to CT4550004		

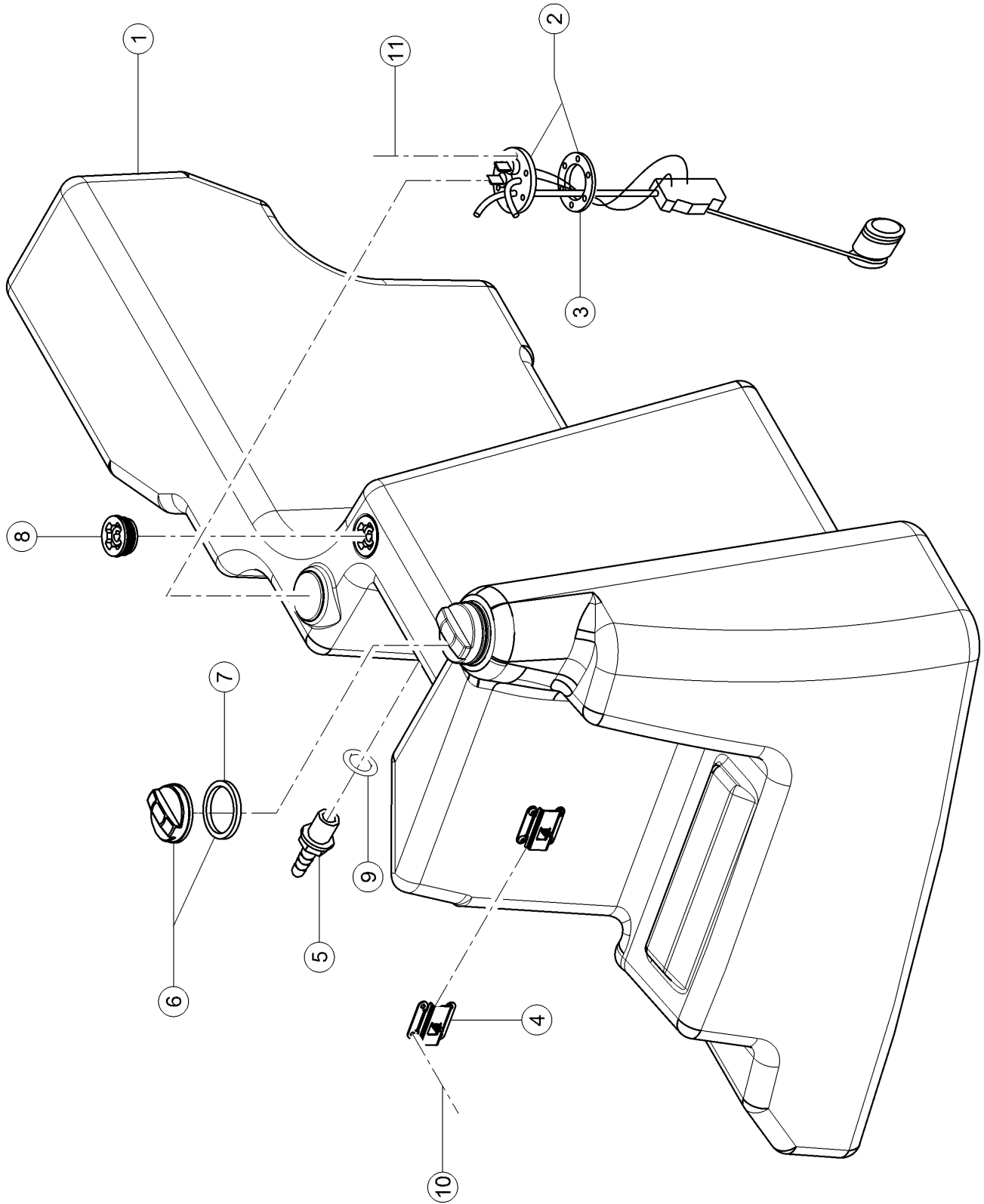


**100 FUEL TANK 1)**

Pos.	Part No.	Description	Dimension	Quantity	Conditions
1	<b>77 0007 613 9</b>	SUPPORT		1	2)
-		<i>Please order!</i>			
	77 0007 446 7	PLATE		1,000	
	77 0007 613 9	SUPPORT		1,000	
2	<b>77 0007 446 7</b>	PLATE		1	
-		<i>Please order!</i>			
	77 0007 446 7	PLATE		1,000	
	77 0007 613 9	SUPPORT		1,000	
3	<b>77 0301 903 8</b>	SCREW		4	3)
4	<b>77 0004 750 5</b>	SHOCK ABSORBER		1	4)
5	<b>77 0005 640 0</b>	SUSPENSION SHOCK ABSORBER		1	
6	<b>77 0004 930 7</b>	SUPPORT		1	5)
7	<b>77 0003 695 6</b>	SUSPENSION SHOCK ABSORBER		1	
8	<b>77 0004 932 5</b>	TENSIONER		1	
9	<b>77 0004 932 6</b>	COVER		1	6)
94020	<b>FA-CONSIGN</b>	Consignes - CS		2	
1502	<b>ES</b>				
94041	<b>77 0303 210 1</b>	NUT	H M10X150 CDQ	1	
4001			-ERS.D.023		
94063	<b>79 0305 601 7</b>	WASHER	A10,5	1	
0001					

<b>1)</b>	<b>machine no.</b>	4522	up to CT4521033
	<b>machine no.</b>	4532	up to CT4531143
	<b>machine no.</b>	4552	up to CT4550004

<b>2)</b>	<b>Remarks</b>	AV.
<b>3)</b>	<b>Remarks</b>	HM8X125-25
<b>4)</b>	<b>Remarks</b>	VLF572 LoU.500
<b>5)</b>	<b>Remarks</b>	AR.
<b>6)</b>	<b>Remarks</b>	LoU 895mm



**<https://www.ebooklibonline.com>**

Hello dear friend!

Thank you very much for reading.

Enter the link into your browser.

The full manual is available for immediate download.

**<https://www.ebooklibonline.com>**