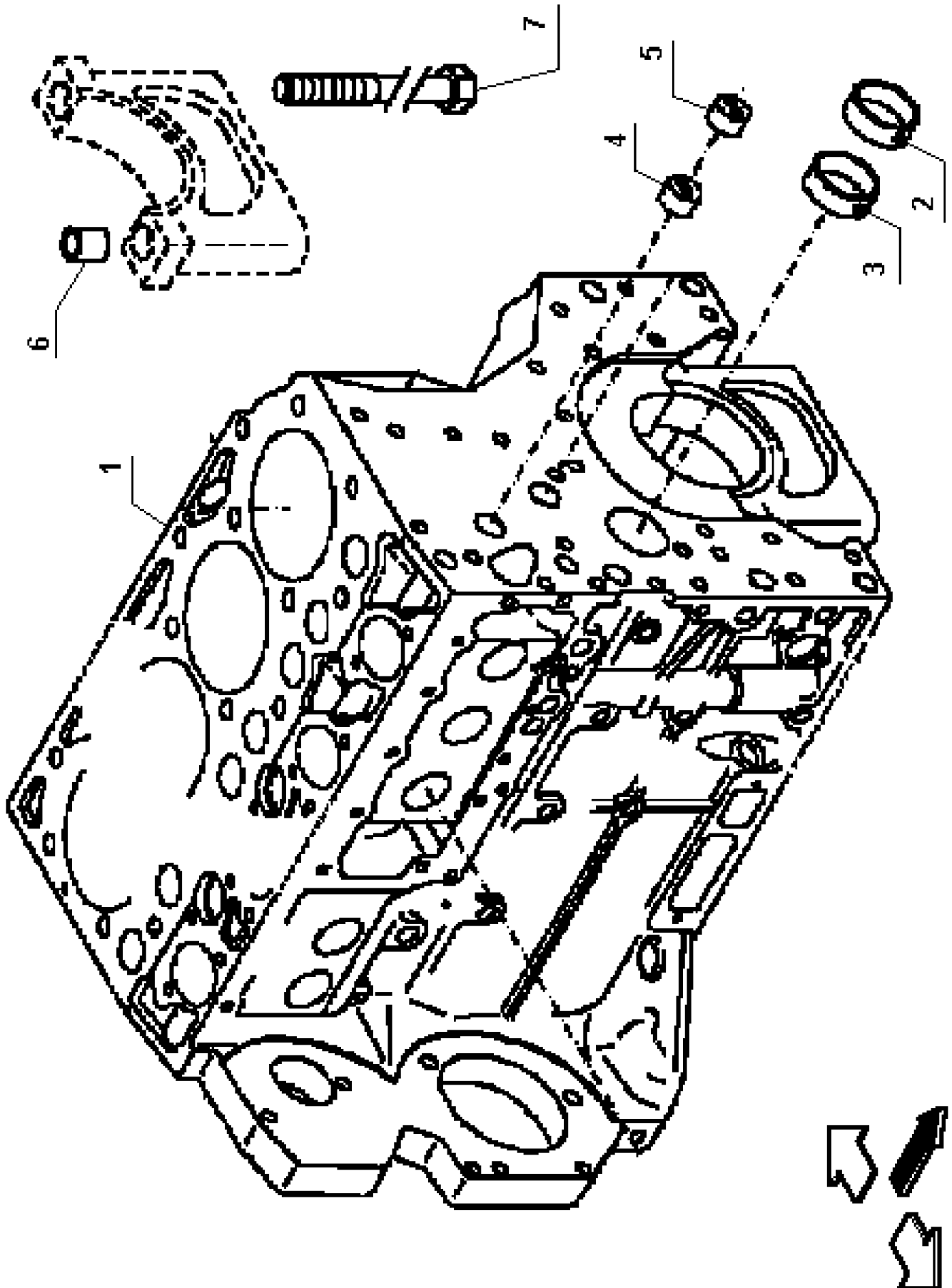


**010 COMPLETE ENGINE**

| <b>Pos.</b> | <b>Part No.</b>         | <b>Description</b> | <b>Dimension</b> | <b>Quantity</b> | <b>Conditions</b> |
|-------------|-------------------------|--------------------|------------------|-----------------|-------------------|
| 1           | <b>77 0005 332 2</b>    | ENGINE             |                  | 1               | 1)                |
| 1           | <b>77 0005 332 3</b>    | ENGINE             |                  | 1               | 2)                |
| 1           | <b>77 0005 332 4</b>    | ENGINE             |                  | 1               | 3)                |
| <b>1)</b>   | <b>Homologationtype</b> |                    |                  | + 4512          |                   |
| <b>2)</b>   | <b>Homologationtype</b> |                    |                  | + 4522          |                   |
| <b>3)</b>   | <b>Homologationtype</b> |                    |                  | + 4532          |                   |



**<https://www.ebooklibonline.com>**

Hello dear friend!

Thank you very much for reading.

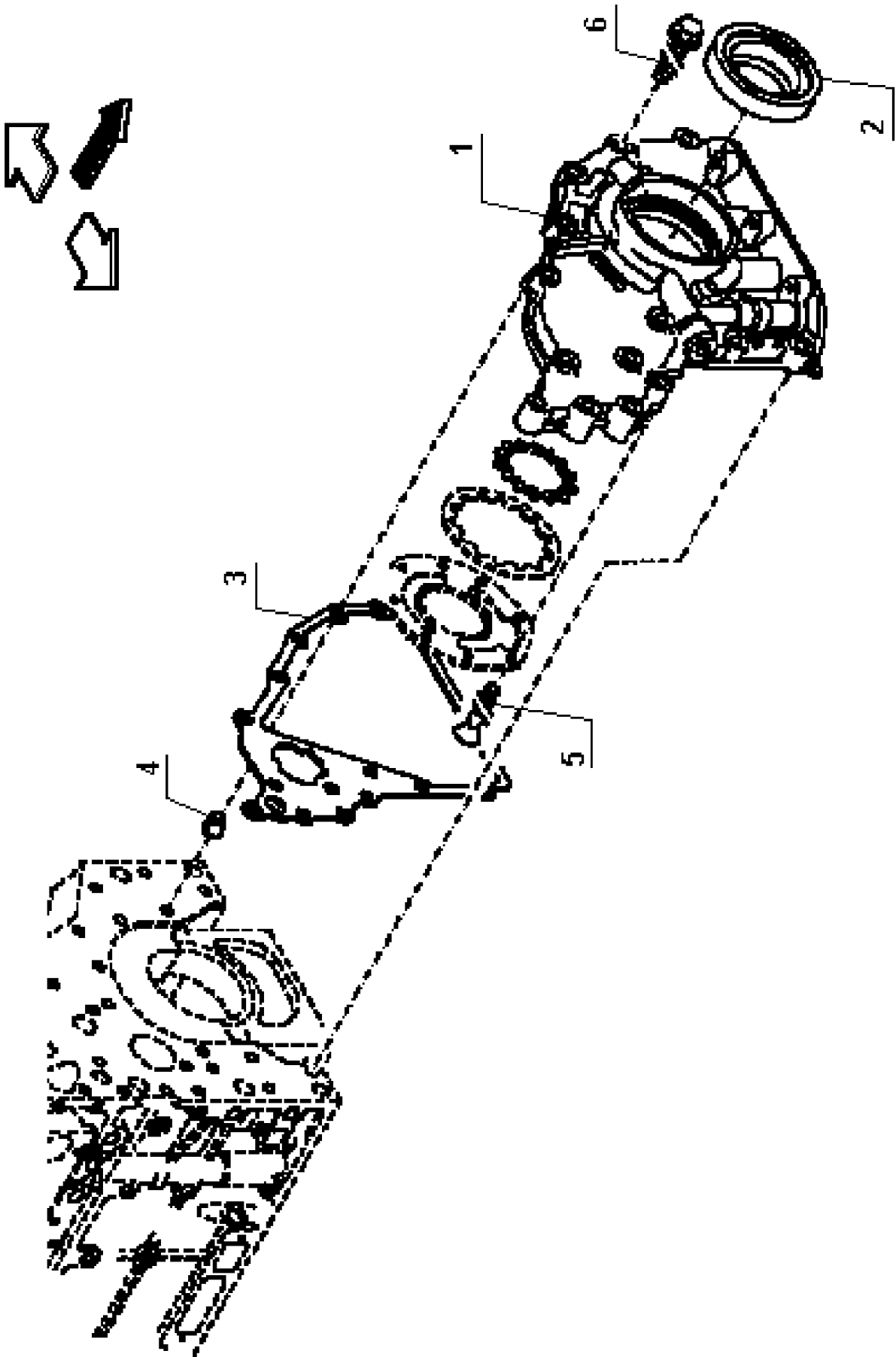
Enter the link into your browser.

The full manual is available for immediate download.

**<https://www.ebooklibonline.com>**

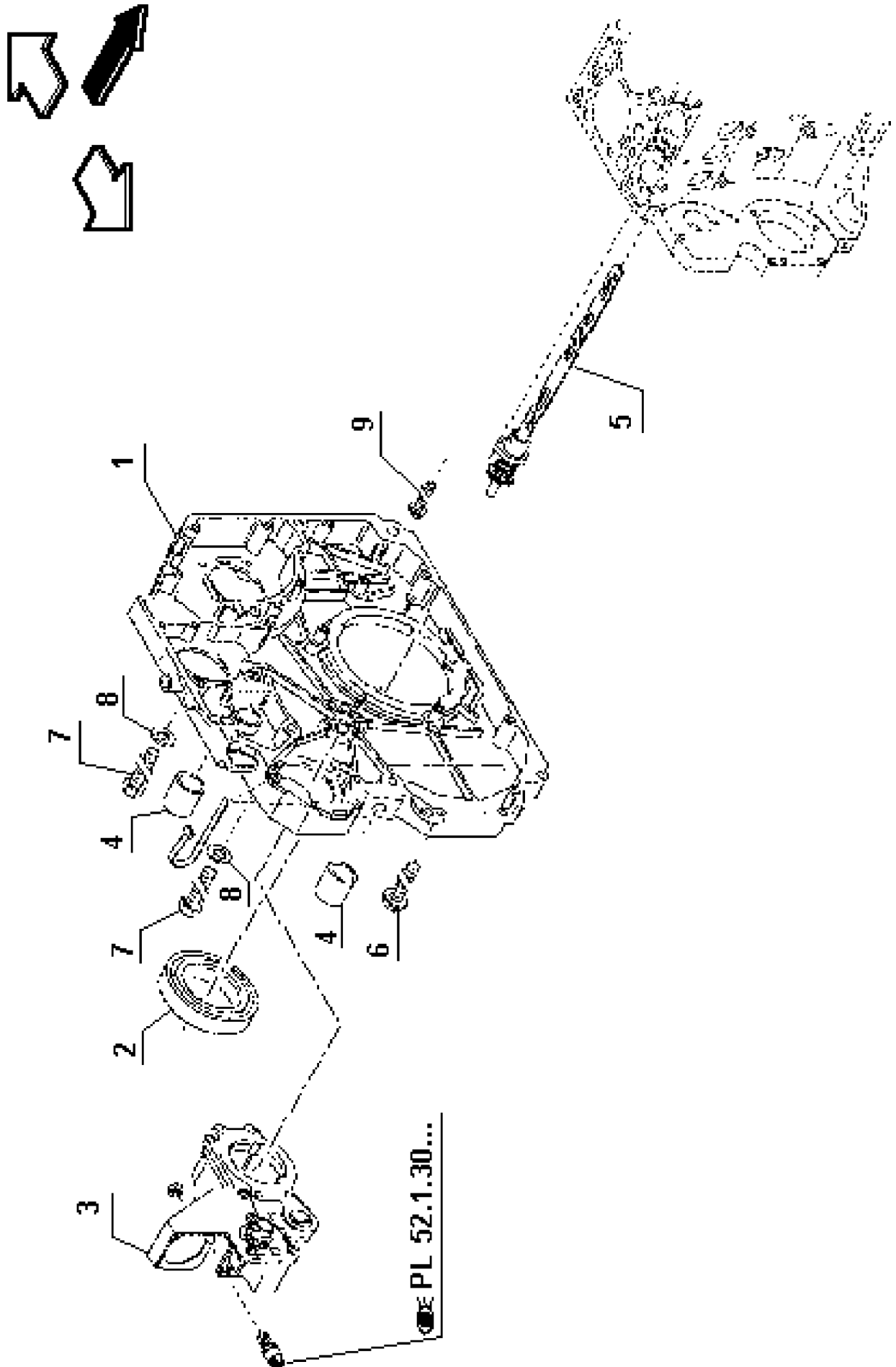
**100 CRANKCASE**

| <b>Pos.</b> | <b>Part No.</b>      | <b>Description</b> | <b>Dimension</b> | <b>Quantity</b> | <b>Conditions</b> |
|-------------|----------------------|--------------------|------------------|-----------------|-------------------|
| 1           | <b>00 1134 523 0</b> | CRANKCASE          |                  | 1               |                   |
| 2           | <b>60 0502 628 0</b> | RING               |                  | 6               |                   |
| 3           | <b>60 0502 628 1</b> | RING               |                  | 1               |                   |
| 4           | <b>60 0502 628 2</b> | SLEEVE             |                  | 1               |                   |
| 5           | <b>60 0502 628 3</b> | BUSHING            |                  | 1               |                   |
| 6           | <b>60 0502 628 4</b> | BUSHING            |                  | 14              |                   |
| 7           | <b>60 0502 628 5</b> | SCREW              |                  | 14              |                   |



**100 CRANKCASE**

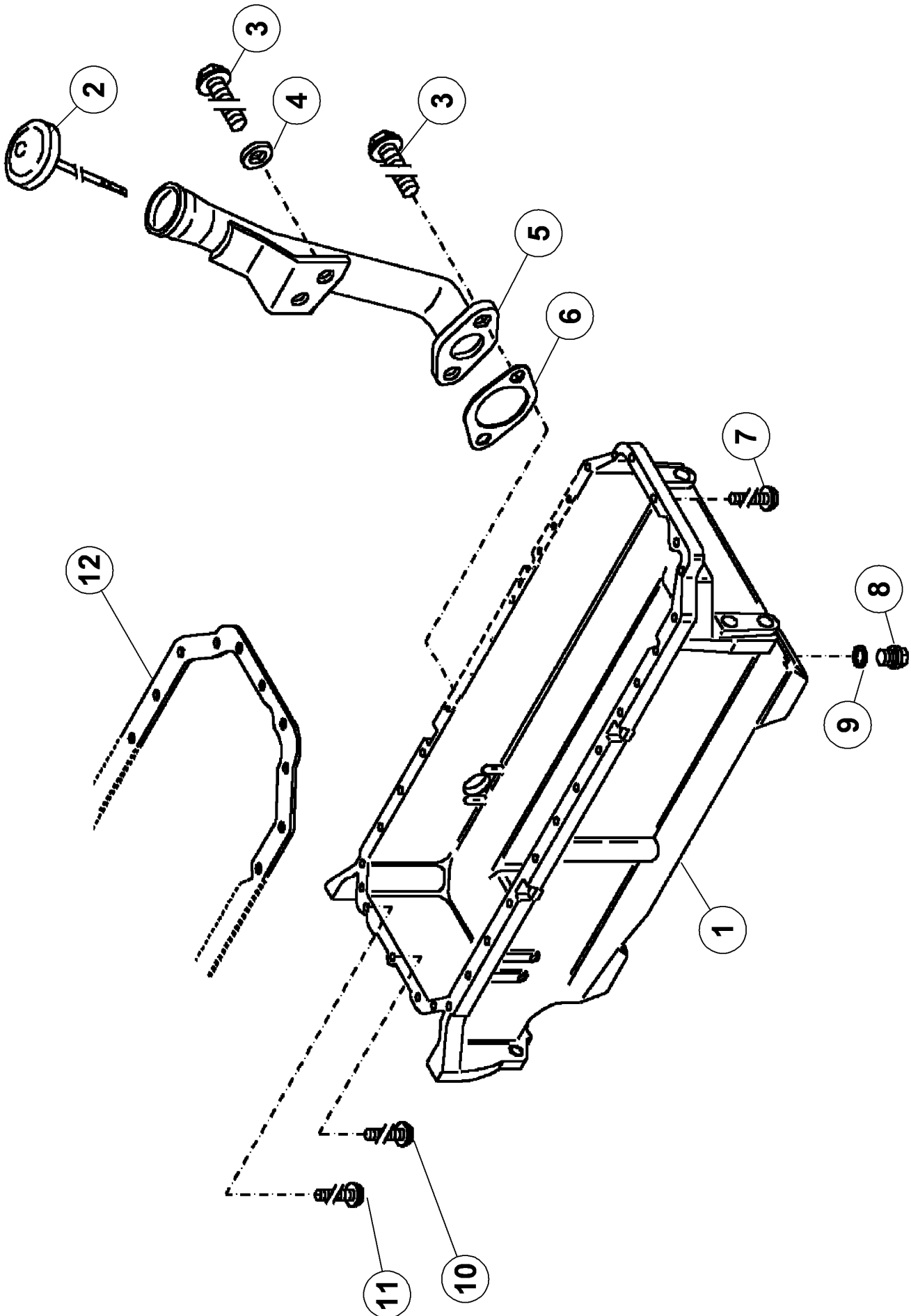
| <b>Pos.</b> | <b>Part No.</b>         | <b>Description</b> | <b>Dimension</b> | <b>Quantity</b> | <b>Conditions</b> |
|-------------|-------------------------|--------------------|------------------|-----------------|-------------------|
| 1           | <b>60 0502 628 6</b>    | COVER              |                  | 1               | 1)                |
| 1           | <b>60 0502 884 8</b>    | COVER              |                  | 1               | 2)                |
| 2           | <b>60 0502 628 7</b>    | SEAL RING          |                  | 1               |                   |
| 3           | <b>60 0502 766 0</b>    | SEAL RING          |                  | 1               |                   |
| 4           | <b>60 0502 628 9</b>    | SLEEVE             |                  | 1               |                   |
| 5           | <b>60 0502 629 0</b>    | SCREW              | M 6X 16          | 8               |                   |
| 6           | <b>60 0502 629 1</b>    | HEXAGON HEAD BOLT  | M8X35-F          | 14              |                   |
| <hr/>       |                         |                    |                  |                 |                   |
| <b>1)</b>   | <b>Homologationtype</b> |                    |                  | + 4512          |                   |
| <hr/>       |                         |                    |                  |                 |                   |
| <b>2)</b>   | <b>Homologationtype</b> |                    |                  | - 4512          |                   |
| <hr/>       |                         |                    |                  |                 |                   |



PL 52.1.30...

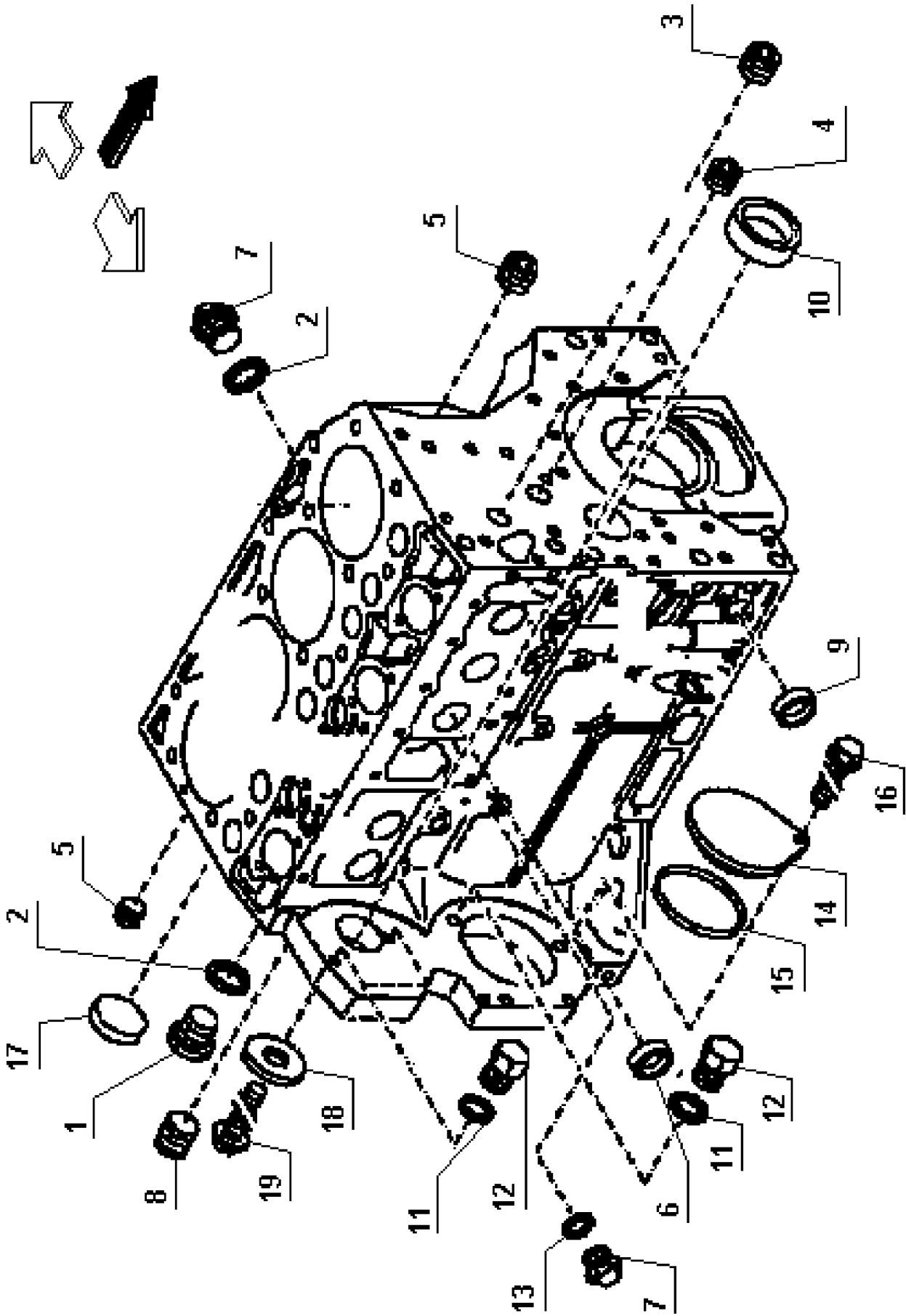
**120 TIMING CASE**

| <b>Pos.</b> | <b>Part No.</b>      | <b>Description</b> | <b>Dimension</b> | <b>Quantity</b> | <b>Conditions</b> |
|-------------|----------------------|--------------------|------------------|-----------------|-------------------|
| 1           | <b>60 0502 630 9</b> | HOUSING            |                  | 1               |                   |
| 2           | <b>60 0502 631 0</b> | SEAL RING          |                  | 1               |                   |
| 3           | <b>00 1135 063 0</b> | REGULATOR          |                  | 1               |                   |
| 4           | <b>60 0502 631 1</b> | BUSHING            |                  | 2               |                   |
| 5           | <b>60 0502 631 2</b> | ROD                |                  | 1               |                   |
| 6           | <b>60 0502 629 1</b> | HEXAGON HEAD BOLT  | M8X35-F          | 12              |                   |
| 7           | <b>60 0502 631 7</b> | SCREW              |                  | 2               |                   |
| 8           | <b>60 0502 631 8</b> | WASHER             | A17              | 2               |                   |
| 9           | <b>60 0502 631 5</b> | SCREW              |                  | 1               |                   |



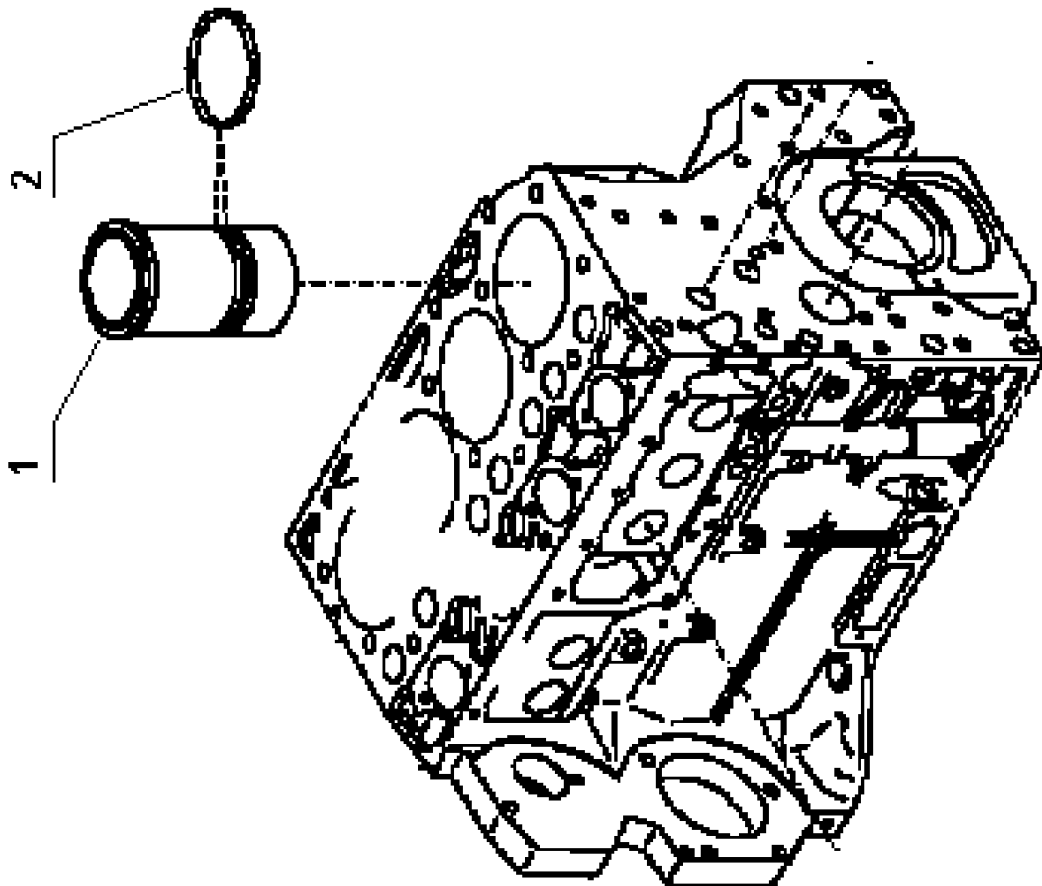
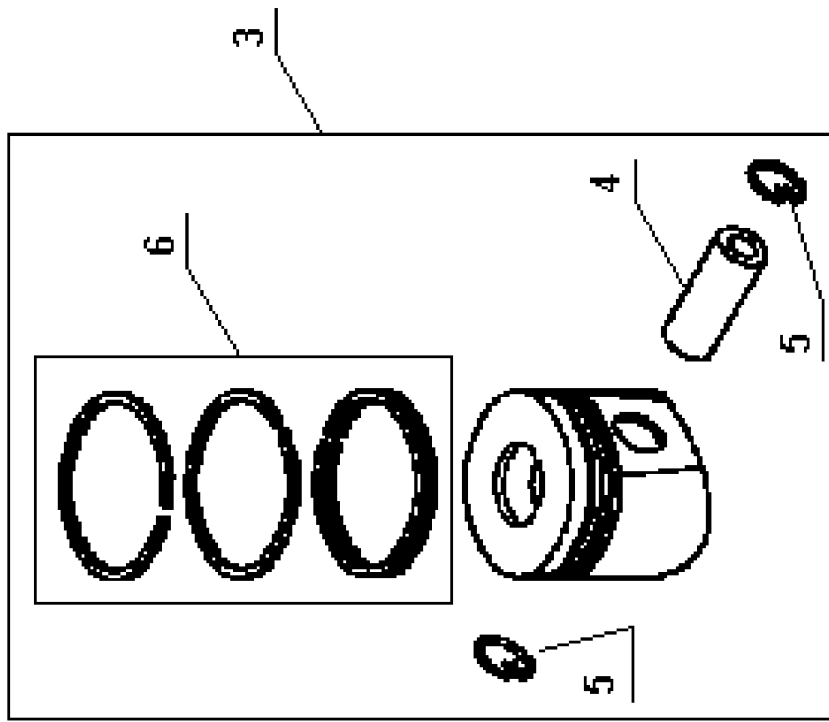
**160 OIL PAN**

| <b>Pos.</b> | <b>Part No.</b>      | <b>Description</b> | <b>Dimension</b> | <b>Quantity</b> | <b>Conditions</b> |
|-------------|----------------------|--------------------|------------------|-----------------|-------------------|
| 1           | <b>60 0502 631 9</b> | OIL SUMP           |                  | 1               |                   |
| 2           | <b>60 0502 632 5</b> | LOCK               |                  | 1               |                   |
| 3           | <b>60 0502 631 5</b> | SCREW              |                  | 3               |                   |
| 4           | <b>60 0502 633 0</b> | WASHER             |                  | 1               |                   |
| 5           | <b>60 0502 632 3</b> | TUBE               |                  | 1               |                   |
| 6           | <b>60 0502 632 4</b> | SEALING RING       | 35X58X1,5        | 1               |                   |
| 7           | <b>60 0502 629 1</b> | HEXAGON HEAD BOLT  | M8X35-F          | 27              |                   |
| 8           | <b>60 0502 632 0</b> | LOCK               |                  | 1               |                   |
| 9           | <b>60 0502 632 1</b> | SEALING RING       | 18X24-1,34       | 1               |                   |
| 10          | <b>60 0502 632 8</b> | SCREW              | M08X130-F        | 1               |                   |
| 11          | <b>60 0502 632 7</b> | HEXAGON HEAD SCREW | M08X140-F        | 6               |                   |
| 12          | <b>60 0502 632 2</b> | GASKET             |                  | 1               |                   |



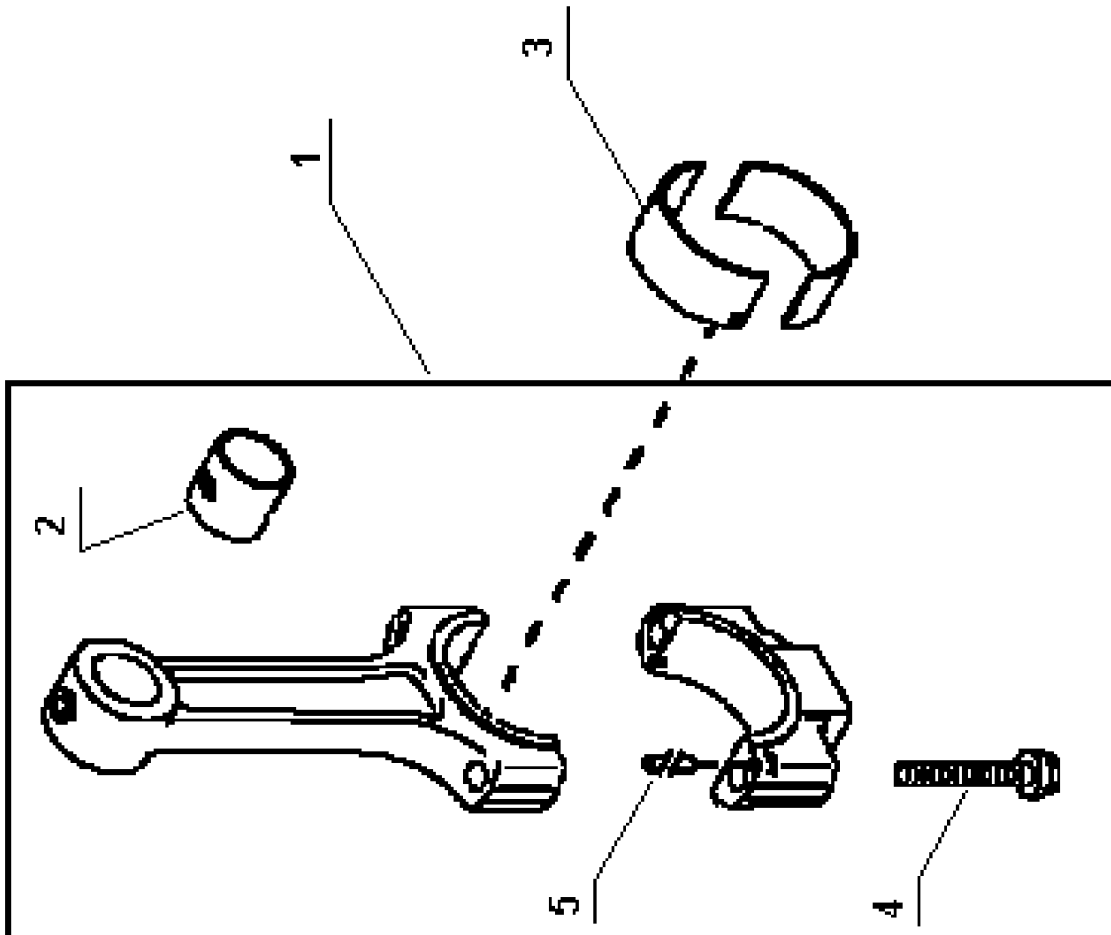
**180 PLUGS**

| <b>Pos.</b> | <b>Part No.</b>      | <b>Description</b> | <b>Dimension</b> | <b>Quantity</b> | <b>Conditions</b> |
|-------------|----------------------|--------------------|------------------|-----------------|-------------------|
| 1           | <b>60 0502 629 3</b> | LOCK               |                  | 2               |                   |
| 2           | <b>60 0500 090 3</b> | SEALING RING       |                  | 4               |                   |
| 3           | <b>60 0502 629 4</b> | PLUG               |                  | 1               |                   |
| 4           | <b>60 0502 629 5</b> | LOCK               |                  | 1               |                   |
| 5           | <b>60 0502 629 6</b> | LOCK               |                  | 2               |                   |
| 6           | <b>60 0502 629 7</b> | LOCK               |                  | 10              |                   |
| 7           | <b>60 0502 629 8</b> | PLUG               | A-M14X1,5        | 3               |                   |
| 8           | <b>60 0502 629 9</b> | LOCK               |                  | 1               |                   |
| 9           | <b>60 0502 630 0</b> | LOCKING COVER      | A 36             | 1               |                   |
| 10          | <b>60 0502 630 1</b> | LOCK               |                  | 1               |                   |
| 11          | <b>60 0502 680 3</b> | WASHER             |                  | 3               |                   |
| 12          | <b>60 0502 630 2</b> | LOCK               |                  | 3               |                   |
| 13          | <b>60 0500 092 9</b> | SEALING RING       |                  | 1               |                   |
| 14          | <b>60 0502 630 3</b> | COVER              |                  | 1               |                   |
| 15          | <b>60 0502 630 4</b> | O-RING             | 96 X 4           | 1               |                   |
| 16          | <b>60 0502 630 5</b> | SCREW              | F-M10X 20        | 1               |                   |
| 17          | <b>60 0502 630 6</b> | COVER              |                  | 1               |                   |
| 18          | <b>60 0502 630 7</b> | WASHER             |                  | 1               |                   |
| 19          | <b>60 0502 630 8</b> | SCREW              |                  | 1               |                   |



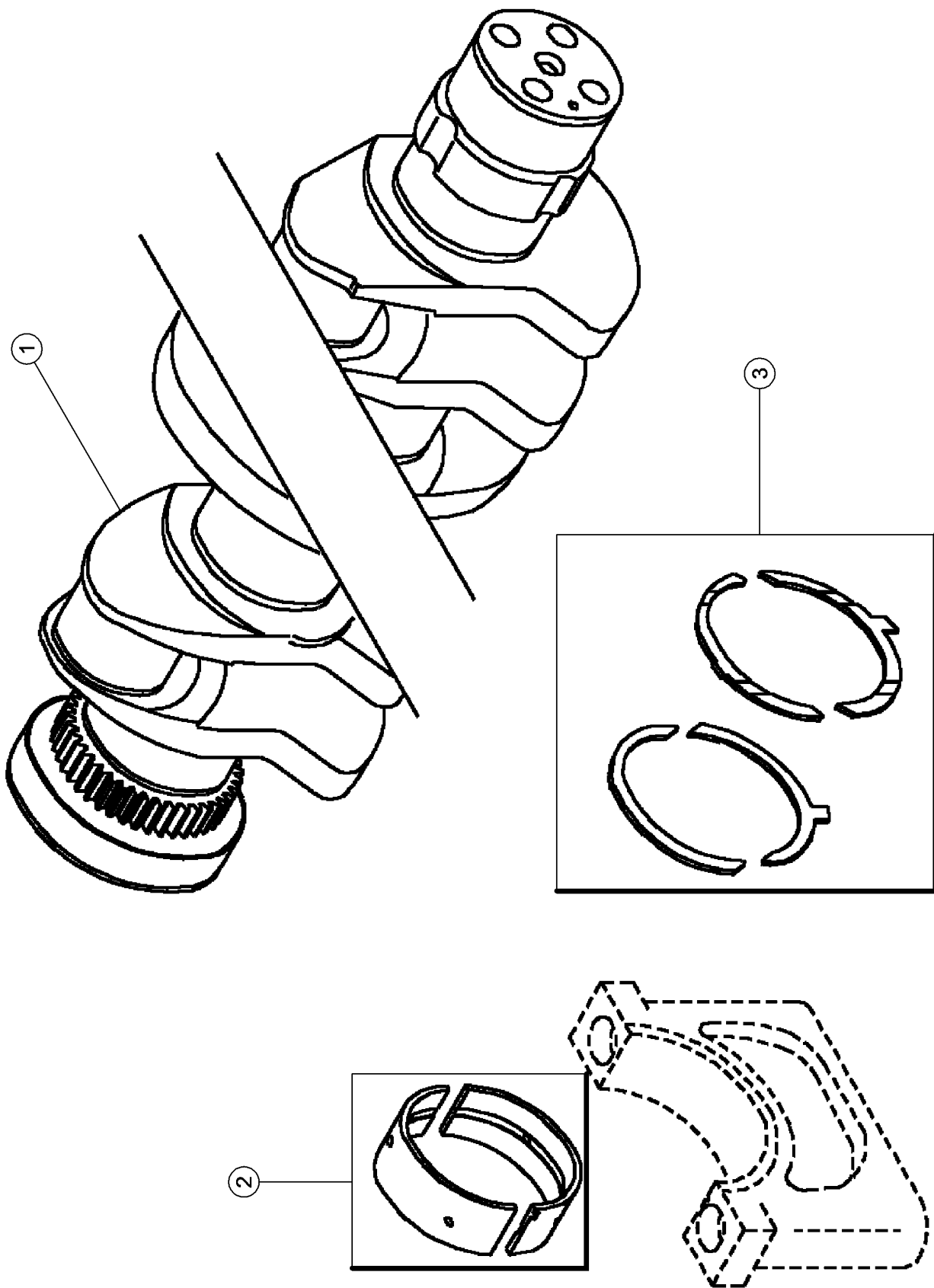
**100 CYLINDER LINER, PISTON**

| <b>Pos.</b> | <b>Part No.</b>         | <b>Description</b>  | <b>Dimension</b> | <b>Quantity</b> | <b>Conditions</b> |
|-------------|-------------------------|---------------------|------------------|-----------------|-------------------|
| 1           | <b>00 1143 605 0</b>    | LINER               |                  | 6               |                   |
| 2           | <b>60 0502 633 2</b>    | O-RING              | 112 X 3          | 12              |                   |
| 3           | <b>60 0502 633 3</b>    | ENGINE PISTON       |                  | 1               | 1)                |
| 3           | <b>60 0502 633 7</b>    | ENGINE PISTON       |                  | 1               | 2)                |
| 4           | <b>60 0502 633 4</b>    | PISTON BOLT         |                  | 1               |                   |
| 5           | <b>60 0502 633 5</b>    | INT RETAINING RING  | 42 X 1,75        | 2               |                   |
| 6           | <b>60 0502 633 6</b>    | SET OF PISTON RINGS |                  | 1               | 1)                |
| 6           | <b>60 0502 633 8</b>    | SET OF PISTON RINGS |                  | 1               | 2)                |
| <hr/>       |                         |                     |                  |                 |                   |
| <b>1)</b>   | <b>Homologationtype</b> |                     |                  | + 4512          |                   |
| <hr/>       |                         |                     |                  |                 |                   |
| <b>2)</b>   | <b>Homologationtype</b> |                     |                  | - 4512          |                   |
| <hr/>       |                         |                     |                  |                 |                   |



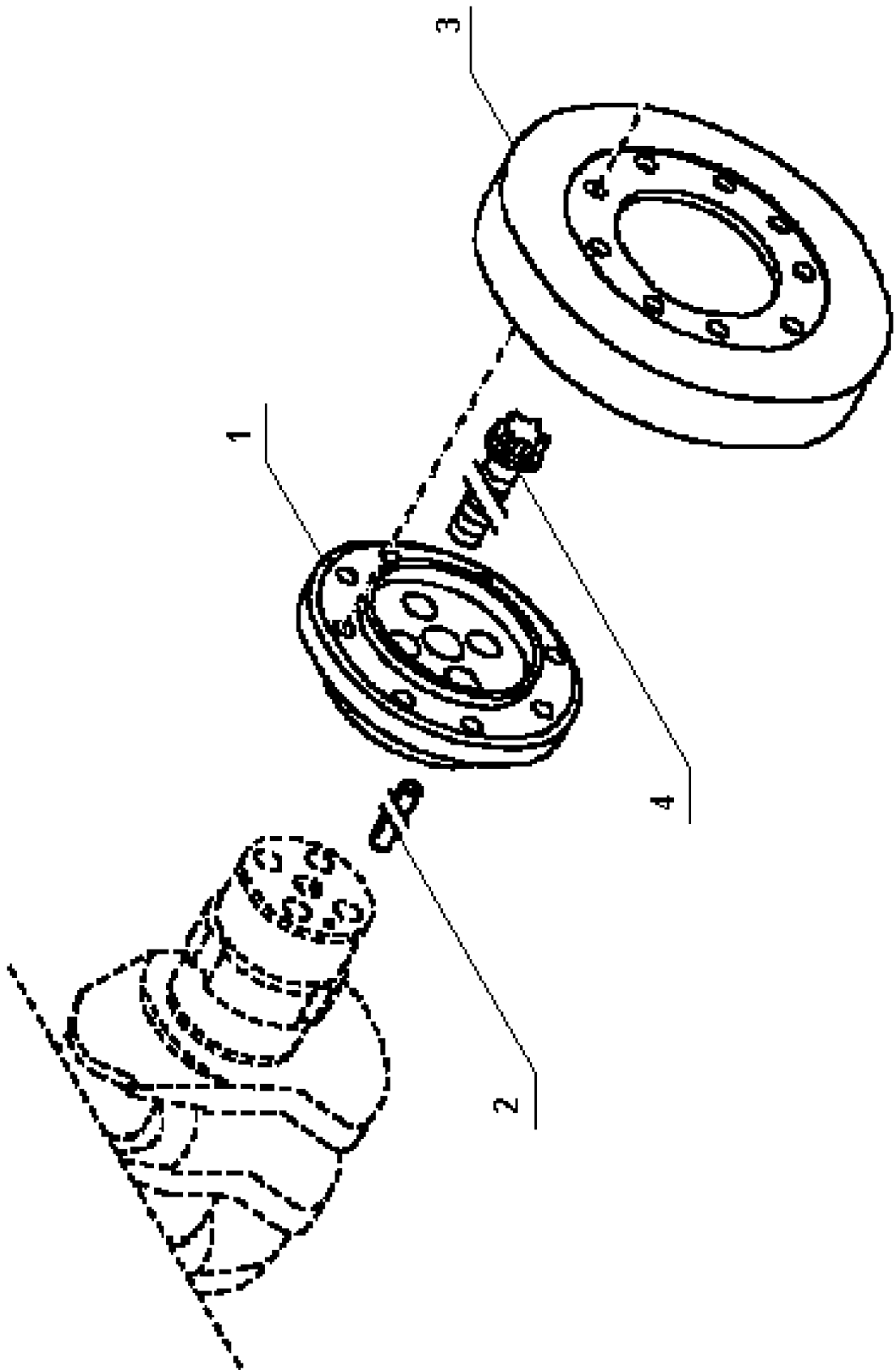
**120 CONNECTING ROD, CONNECTING ROD BEARINGS**

| <b>Pos.</b> | <b>Part No.</b>      | <b>Description</b> | <b>Dimension</b> | <b>Quantity</b> | <b>Conditions</b> |
|-------------|----------------------|--------------------|------------------|-----------------|-------------------|
| 1           | <b>60 0502 633 9</b> | ROD (ENGINE)       |                  | 6               |                   |
| 2           | <b>60 0502 634 0</b> | RING               |                  | 6               |                   |
| 3           | <b>60 0502 634 1</b> | BEARING            |                  | 6               | 1)                |
| 3           | <b>60 0502 634 2</b> | BEARING            |                  | 6               | 2)                |
| 3           | <b>60 0502 634 3</b> | BEARING            |                  | 6               | 3)                |
| 4           | <b>60 0502 634 4</b> | SCREW              |                  | 12              |                   |
| 5           | <b>60 0502 634 5</b> | PIN                |                  | 12              |                   |
| <b>1)</b>   | <b>Remarks</b>       |                    | DI.68mm          |                 |                   |
| <b>2)</b>   | <b>Remarks</b>       |                    | DI.67,75mm       |                 |                   |
| <b>3)</b>   | <b>Remarks</b>       |                    | DI.67,50mm       |                 |                   |



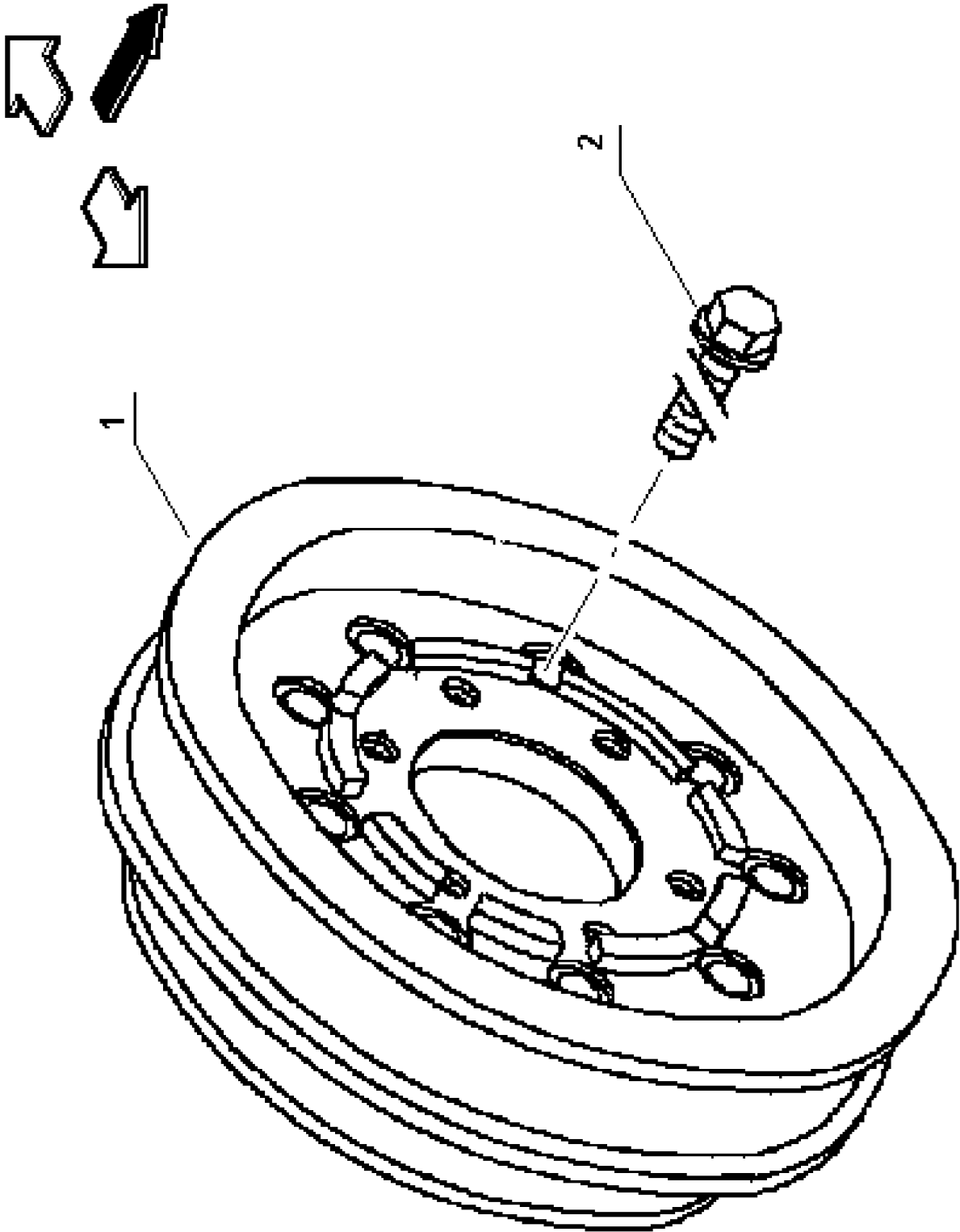
**140 CRANKSHAFT**

| <b>Pos.</b> | <b>Part No.</b>      | <b>Description</b> | <b>Dimension</b> | <b>Quantity</b> | <b>Conditions</b> |
|-------------|----------------------|--------------------|------------------|-----------------|-------------------|
| 1           | <b>60 0502 634 6</b> | CRANKSHAFT         |                  | 1               |                   |
| 2           | <b>60 0502 634 7</b> | BEARING            |                  | 7               | 1)                |
| 2           | <b>60 0502 635 0</b> | BEARING/CRANK      |                  | 7               | 2)                |
| 2           | <b>60 0502 635 1</b> | BEARING            |                  | 7               | 3)                |
| 3           | <b>60 0502 634 8</b> | STOP               |                  | 1               | 4)                |
| 3           | <b>00 1145 023 0</b> | WASHER             |                  | 2               | 5)                |
| <b>1)</b>   | <b>Remarks</b>       |                    | Std.(85mm)       |                 |                   |
| <b>2)</b>   | <b>Remarks</b>       |                    | 84,75mm          |                 |                   |
| <b>3)</b>   | <b>Remarks</b>       |                    | 84,5mm           |                 |                   |
| <b>4)</b>   | <b>Remarks</b>       |                    | Std.(2,9mm)      |                 |                   |
| <b>5)</b>   | <b>Remarks</b>       |                    | 3,1mm            |                 |                   |



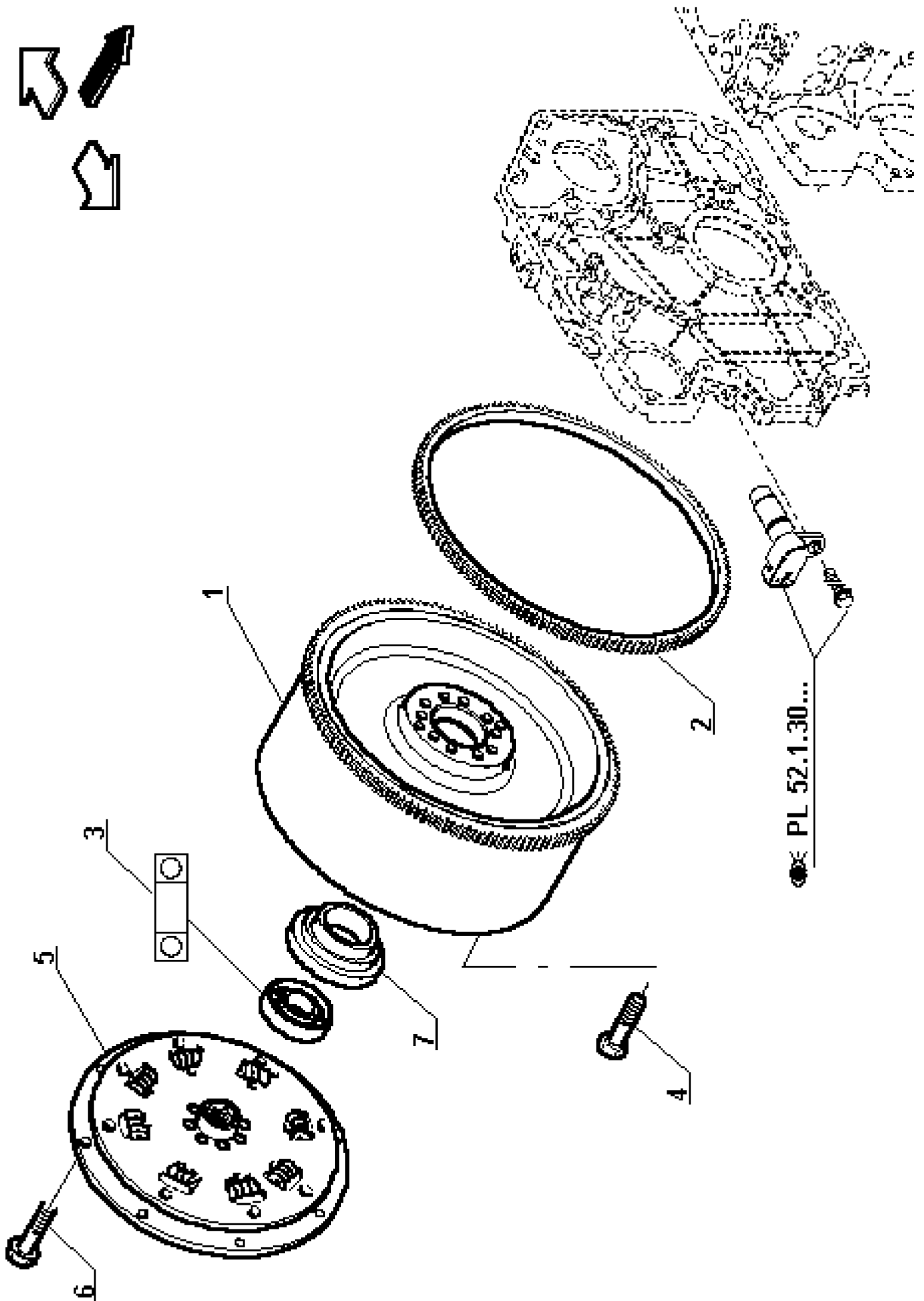
**140 CRANKSHAFT**

| <b>Pos.</b> | <b>Part No.</b>      | <b>Description</b>   | <b>Dimension</b>             | <b>Quantity</b> | <b>Conditions</b> |
|-------------|----------------------|----------------------|------------------------------|-----------------|-------------------|
| 1           | <b>60 0502 635 3</b> | FLANGE               |                              | 1               |                   |
| 2           | <b>60 0502 635 4</b> | BUSHING              |                              | 1               |                   |
| 3           | <b>60 0502 635 5</b> | ANTI-VIBRATION WHEEL |                              | 1               |                   |
| 4           | <b>60 0503 083 9</b> | SCREW                | B M16X1,<br>5X80-AUS-6RD E20 | 4               |                   |



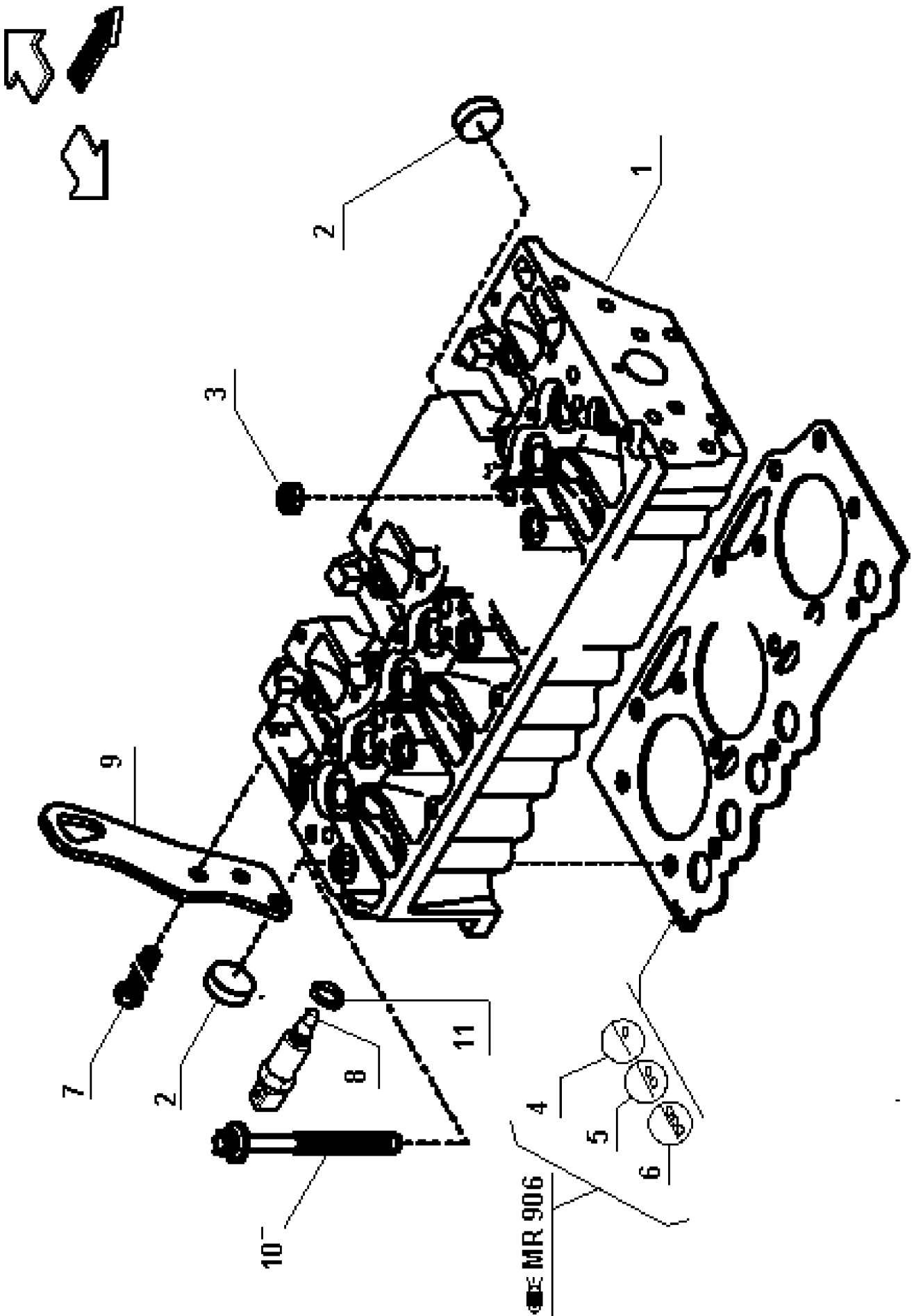
**161 CRANKSHAFT PULLEY WHEEL**

| <b>Pos.</b> | <b>Part No.</b>      | <b>Description</b> | <b>Dimension</b> | <b>Quantity</b> | <b>Conditions</b> |
|-------------|----------------------|--------------------|------------------|-----------------|-------------------|
| 1           | <b>60 0502 655 9</b> | V-BELT PULLEY      |                  | 1               |                   |
| 2           | <b>60 0502 656 0</b> | HEXAGON HEAD SCREW | F-M10X38         | 9               |                   |



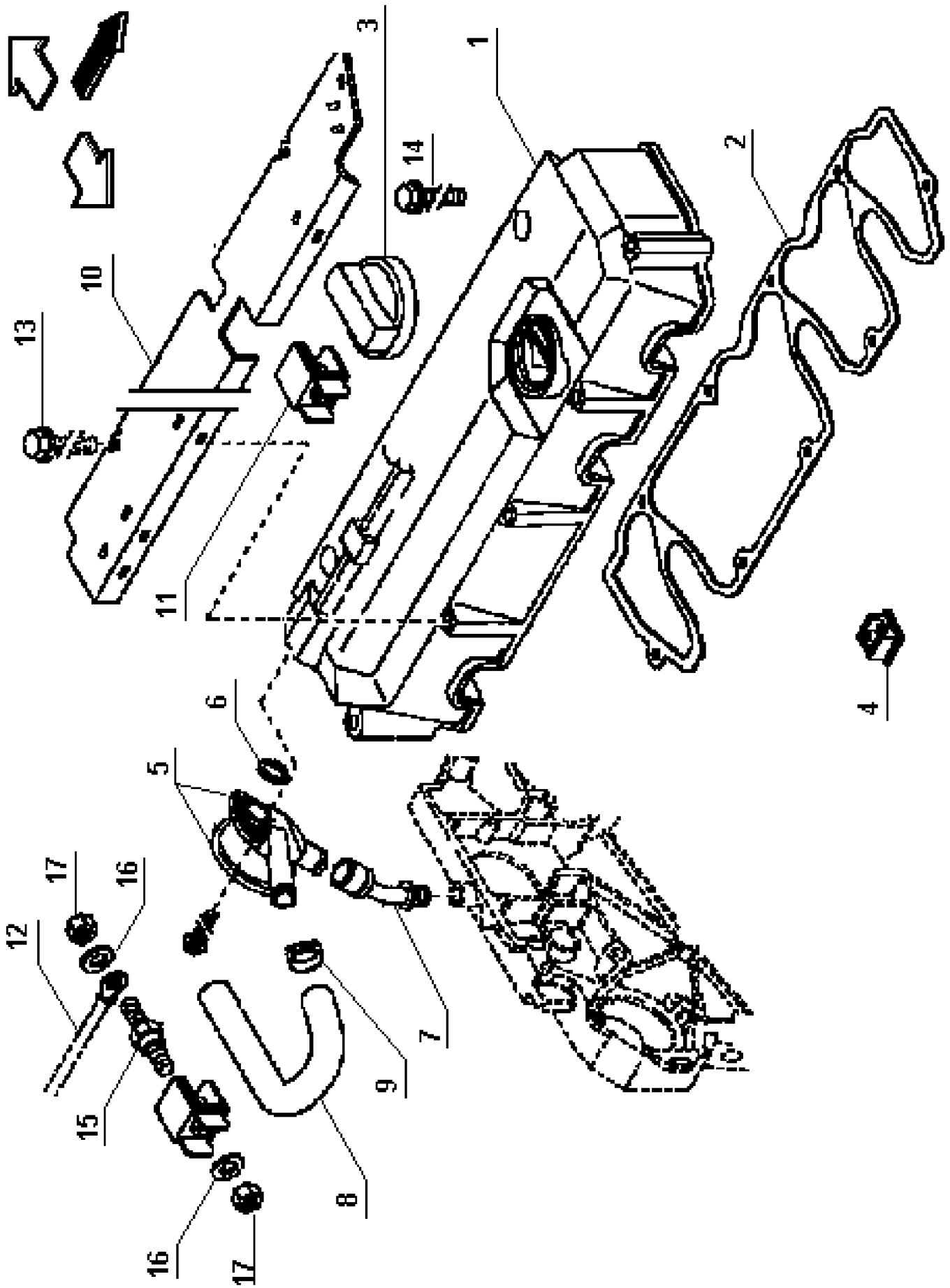
**220 FLYWHEEL**

| Pos.      | Part No.             | Description       | Dimension       | Quantity | Conditions |
|-----------|----------------------|-------------------|-----------------|----------|------------|
| 1         | <b>77 0005 360 0</b> | FLYWHEEL          |                 | 1        |            |
| 2         | <b>00 1134 889 0</b> | TOOTHED RIM       |                 | 1        |            |
| 3         | <b>07 7062 062 3</b> | BEARING-1 BALL    |                 | 1        | 1)         |
| 4         | <b>77 0005 426 6</b> | SCREW             |                 | 10       | 2)         |
| 5         | <b>77 0005 363 7</b> | TORSION DAMPER    |                 | 1        |            |
| 6         | <b>77 0005 997 8</b> | HEXAGON HEAD BOLT | M10X40          | 8        | 3)         |
| 7         | <b>77 0006 562 7</b> | BUSHING           |                 | 1        | 4)         |
| <b>1)</b> | <b>Remarks</b>       |                   | 30X62X16        |          |            |
| <b>2)</b> | <b>Remarks</b>       |                   | 10x100-105/12,9 |          |            |
| <b>3)</b> | <b>Remarks</b>       |                   | M10X150-40      |          |            |
| <b>4)</b> | <b>machine no.</b>   | 4512              | from CT4510030  |          |            |
|           | <b>machine no.</b>   | 4522              | from CT4520061  |          |            |
|           | <b>machine no.</b>   | 4532              | from CT4530105  |          |            |



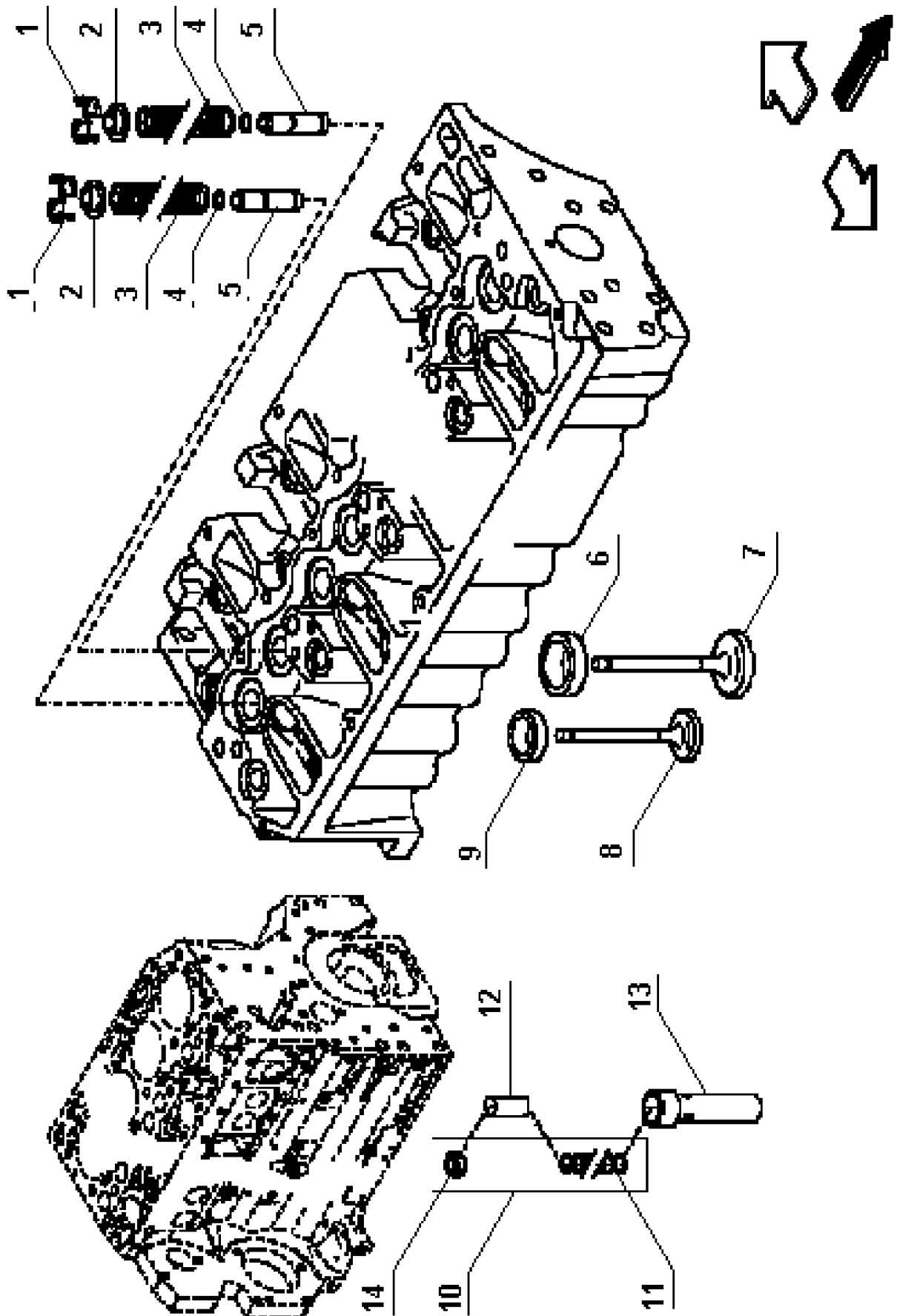
**100 CYLINDER HEAD**

| <b>Pos.</b> | <b>Part No.</b>      | <b>Description</b>   | <b>Dimension</b> | <b>Quantity</b> | <b>Conditions</b> |
|-------------|----------------------|----------------------|------------------|-----------------|-------------------|
| 1           | <b>60 0502 636 0</b> | CYLINDER HEAD        |                  | 1               |                   |
| 2           | <b>60 0502 630 0</b> | LOCKING COVER        | A 36             | 5               |                   |
| 3           | <b>60 0502 636 2</b> | LOCK                 |                  | 5               |                   |
| 4           | <b>60 0502 636 3</b> | CYLINDER HEAD GASKET |                  | 1               |                   |
| 5           | <b>60 0502 636 4</b> | CYLINDER HEAD GASKET |                  | 1               |                   |
| 6           | <b>60 0502 636 5</b> | CYLINDER HEAD GASKET |                  | 1               |                   |
| 7           | <b>60 0502 636 8</b> | SCREW                |                  | 3               |                   |
| 8           | <b>77 0005 893 5</b> | SENSOR               |                  | 1               | 1)                |
| 9           | <b>60 0502 636 6</b> | SUPPORT              |                  | 1               |                   |
| 10          | <b>60 0502 636 7</b> | SCREW                |                  | 26              |                   |
| 11          | <b>77 0007 639 2</b> | SEAL RING            |                  | 1               | 2)                |
| <b>1)</b>   | <b>Remarks</b>       |                      | TEMP EAU         |                 |                   |
| <b>2)</b>   | <b>Remarks</b>       |                      | 14x18-1,50       |                 |                   |



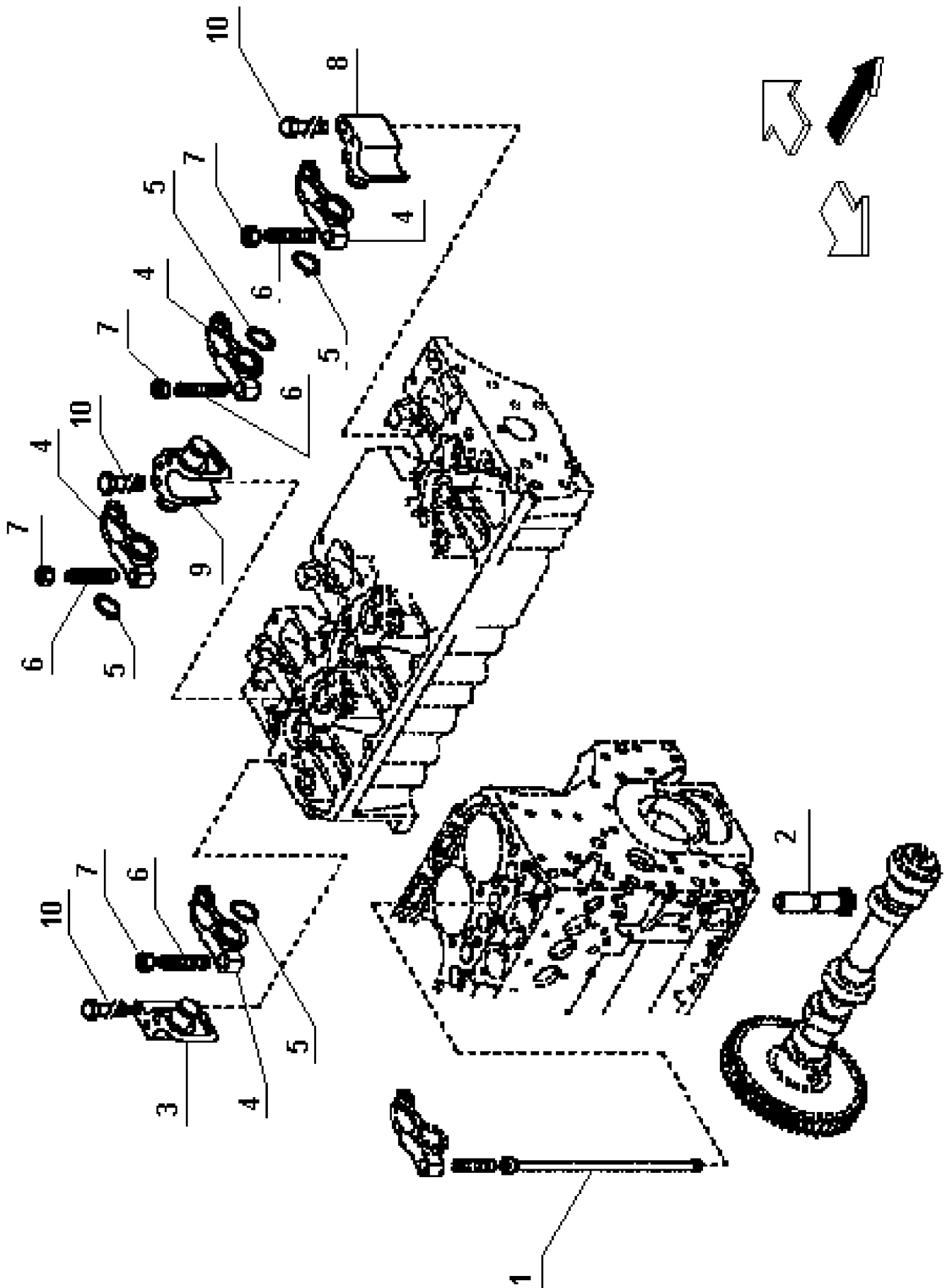
**120 CYLINDER HEAD COVER**

| <b>Pos.</b> | <b>Part No.</b>      | <b>Description</b> | <b>Dimension</b> | <b>Quantity</b> | <b>Conditions</b> |
|-------------|----------------------|--------------------|------------------|-----------------|-------------------|
| 1           | <b>60 0503 048 3</b> | COVER              |                  | 1               |                   |
| 2           | <b>60 0503 009 4</b> | SEAL RING          |                  | 1               |                   |
| 3           | <b>60 0502 637 0</b> | LOCKING COVER      |                  | 1               |                   |
| 4           | <b>60 0502 637 1</b> | COVER              |                  | 1               |                   |
| 5           | <b>60 0502 637 2</b> | REGULATOR          |                  | 1               |                   |
| 6           | <b>60 0502 637 3</b> | SEAL RING          |                  | 1               |                   |
| 7           | <b>60 0502 637 4</b> | RUBBER HOSE        |                  | 1               |                   |
| 8           | <b>60 0502 637 5</b> | TUBE               |                  | 1               |                   |
| 9           | <b>60 0502 637 6</b> | CLAMP              | A-29X15          | 1               |                   |
| 10          | <b>60 0502 637 7</b> | PLATE              |                  | 1               |                   |
| 11          | <b>60 0502 637 8</b> | STRIP              |                  | 2               |                   |
| 12          | <b>60 0502 637 9</b> | WIRE               |                  | 1               |                   |
| 13          | <b>60 0502 638 0</b> | SCREW              |                  | 13              |                   |
| 14          | <b>60 0502 980 6</b> | SCREW              | F-M 6X20         | 2               |                   |
| 15          | <b>60 0502 638 2</b> | STUD               |                  | 2               |                   |
| 16          | <b>60 0502 638 3</b> | WASHER             | 6 -6,4X12X1,6    | 4               |                   |
| 17          | <b>60 0502 638 4</b> | NUT                | M06              | 4               |                   |



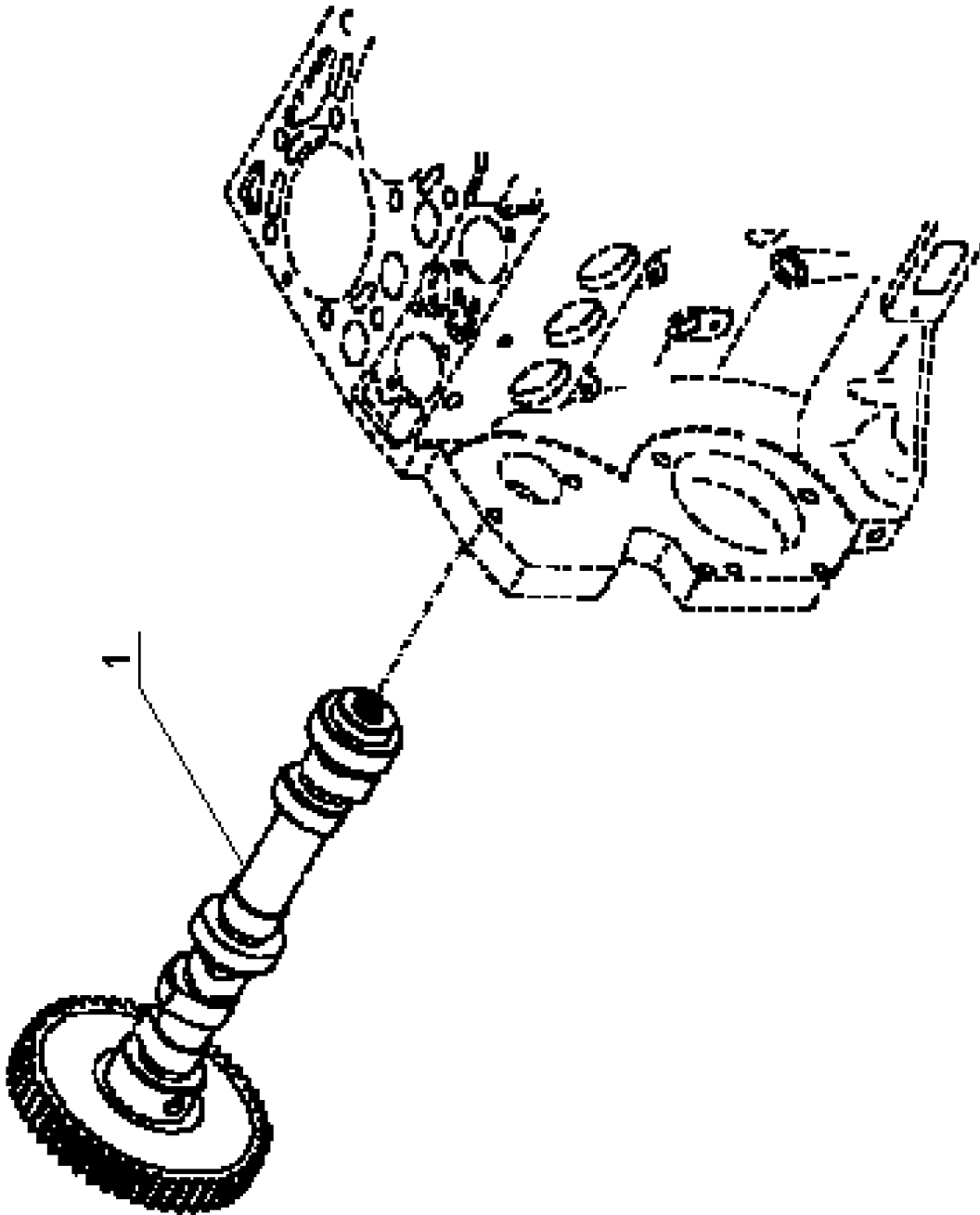
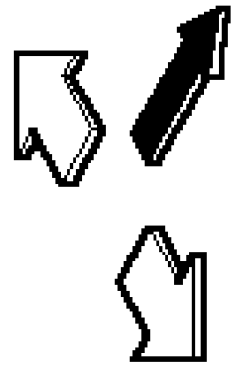
**140 VALVES**

| <b>Pos.</b> | <b>Part No.</b>      | <b>Description</b> | <b>Dimension</b> | <b>Quantity</b> | <b>Conditions</b> |
|-------------|----------------------|--------------------|------------------|-----------------|-------------------|
| 1           | <b>60 0502 638 5</b> | HALF-CONE          |                  | 24              |                   |
| 2           | <b>60 0502 638 6</b> | WASHER             |                  | 12              |                   |
| 3           | <b>60 0502 638 7</b> | SPRING             |                  | 12              |                   |
| 4           | <b>60 0502 638 8</b> | O-RING             | 9X1,5            | 12              |                   |
| 5           | <b>60 0502 638 9</b> | GUIDE              |                  | 12              |                   |
| 6           | <b>60 0502 639 0</b> | VALVE SEAT         |                  | 6               |                   |
| 7           | <b>60 0502 639 1</b> | ENGINE VALVE       |                  | 6               | 1)                |
| 8           | <b>60 0502 639 2</b> | ENGINE VALVE       |                  | 6               | 2)                |
| 9           | <b>60 0502 639 3</b> | VALVE SEAT         |                  | 6               |                   |
| 10          | <b>60 0502 639 4</b> | VALVE              |                  | 1               |                   |
| 11          | <b>60 0502 639 5</b> | SPRING             |                  | 1               |                   |
| 12          | <b>60 0502 639 6</b> | ROD                |                  | 1               |                   |
| 13          | <b>60 0502 639 7</b> | BUSHING            |                  | 1               |                   |
| 14          | <b>60 0502 639 8</b> | SHAFT SEAL         |                  | 1               |                   |
| <b>1)</b>   | <b>Remarks</b>       |                    | ADM              |                 |                   |
| <b>2)</b>   | <b>Remarks</b>       |                    | ECH              |                 |                   |



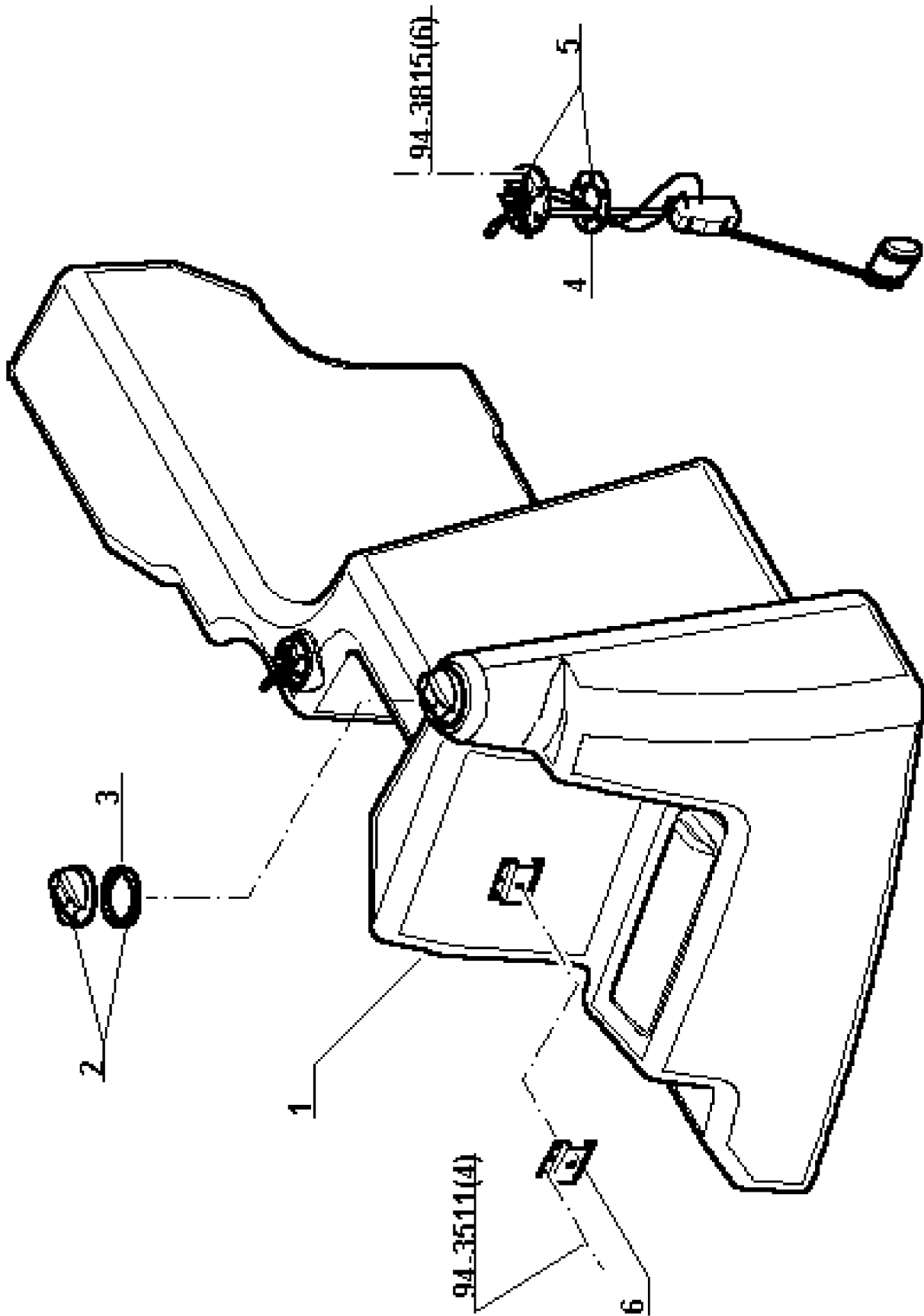
**160 ROCKER ARM**

| <b>Pos.</b> | <b>Part No.</b>      | <b>Description</b> | <b>Dimension</b> | <b>Quantity</b> | <b>Conditions</b> |
|-------------|----------------------|--------------------|------------------|-----------------|-------------------|
| 1           | <b>60 0502 639 9</b> | ROD                |                  | 12              |                   |
| 2           | <b>60 0502 640 0</b> | PUSH BUTTON        |                  | 12              |                   |
| 3           | <b>60 0502 640 1</b> | SUPPORT            |                  | 1               |                   |
| 4           | <b>60 0502 640 2</b> | ROCKER ARM         |                  | 12              |                   |
| 5           | <b>60 0502 640 3</b> | CIRCLIP            | 21 X 1,2         | 12              |                   |
| 6           | <b>60 0500 072 5</b> | ADJUSTING SCREW    |                  | 12              |                   |
| 7           | <b>60 0502 640 4</b> | HEXAGONAL NUT      |                  | 12              |                   |
| 8           | <b>60 0502 640 5</b> | SUPPORT            |                  | 1               |                   |
| 9           | <b>60 0502 640 6</b> | SUPPORT            |                  | 5               |                   |
| 10          | <b>00 1135 960 0</b> | SCREW              | F-M 8X75         | 24              |                   |



**180 CAMSHAFT, CAMSHAFT BEARING BUSHES**

| Pos.      | Part No.                | Description | Dimension | Quantity | Conditions |
|-----------|-------------------------|-------------|-----------|----------|------------|
| 1         | <b>60 0502 640 8</b>    | CAMSHAFT    |           | 1        | 1)         |
| 1         | <b>60 0502 640 9</b>    | CAMSHAFT    |           | 1        | 2)         |
| <b>1)</b> | <b>Homologationtype</b> |             |           |          | + 4512     |
| <b>2)</b> | <b>Homologationtype</b> |             |           |          | - 4512     |





**Suggest:**

**For more complete manuals. Please go to the home page.**

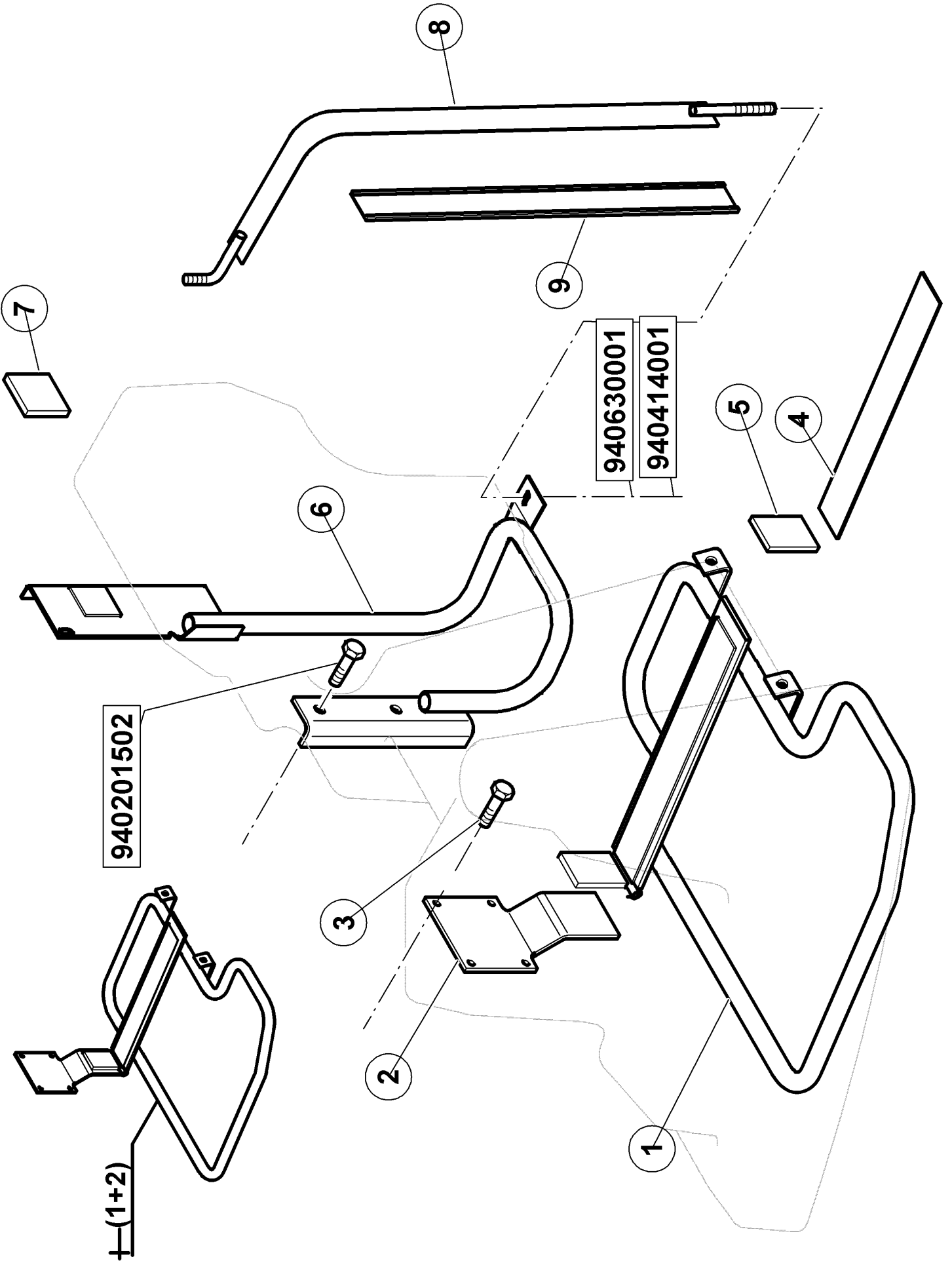
**<https://www.ebooklibonline.com>**

**If the above button click is invalid. Please download this document first, and then click the above link to download the complete manual.**

**Thank you so much for reading**

**100 FUEL TANK**

| Pos.      | Part No.             | Description          | Dimension | Quantity | Conditions      |
|-----------|----------------------|----------------------|-----------|----------|-----------------|
| 1         | <b>77 0005 913 6</b> | DIESEL TANK          |           | 1        | 1)              |
| 1         | <b>77 0007 586 3</b> | DIESEL TANK          |           | 1        | 2)              |
| -         |                      | <i>Please order!</i> |           |          |                 |
|           | <i>77 0007 446 7</i> | <i>PLATE</i>         |           | 1,000    |                 |
|           | <i>77 0007 613 9</i> | <i>SUPPORT</i>       |           | 1,000    |                 |
| 2         | <b>77 0005 537 1</b> | PLUG                 |           | 1        |                 |
| 3         | <b>77 0005 537 2</b> | O-RING               |           | 1        |                 |
| 4         | <b>77 0005 784 4</b> | INDICATOR            |           | 1        | 1)              |
| 4         | <b>77 0006 451 4</b> | INDICATOR            |           | 1        | 2)              |
| 5         | <b>77 0003 904 2</b> | GASKET               |           | 1        |                 |
| 6         | <b>77 0004 487 2</b> | SUPPORT              |           | 1        |                 |
| <b>1)</b> | <b>machine no.</b>   | 4512                 |           |          | up to CT4510011 |
|           | <b>machine no.</b>   | 4522                 |           |          | up to CT4520215 |
|           | <b>machine no.</b>   | 4532                 |           |          | up to CT4530228 |
| <b>2)</b> | <b>machine no.</b>   | 4512                 |           |          | from CT4510012  |
|           | <b>machine no.</b>   | 4522                 |           |          | from CT4520216  |
|           | <b>machine no.</b>   | 4532                 |           |          | from CT4530229  |



**<https://www.ebooklibonline.com>**

Hello dear friend!

Thank you very much for reading.

Enter the link into your browser.

The full manual is available for immediate download.

**<https://www.ebooklibonline.com>**