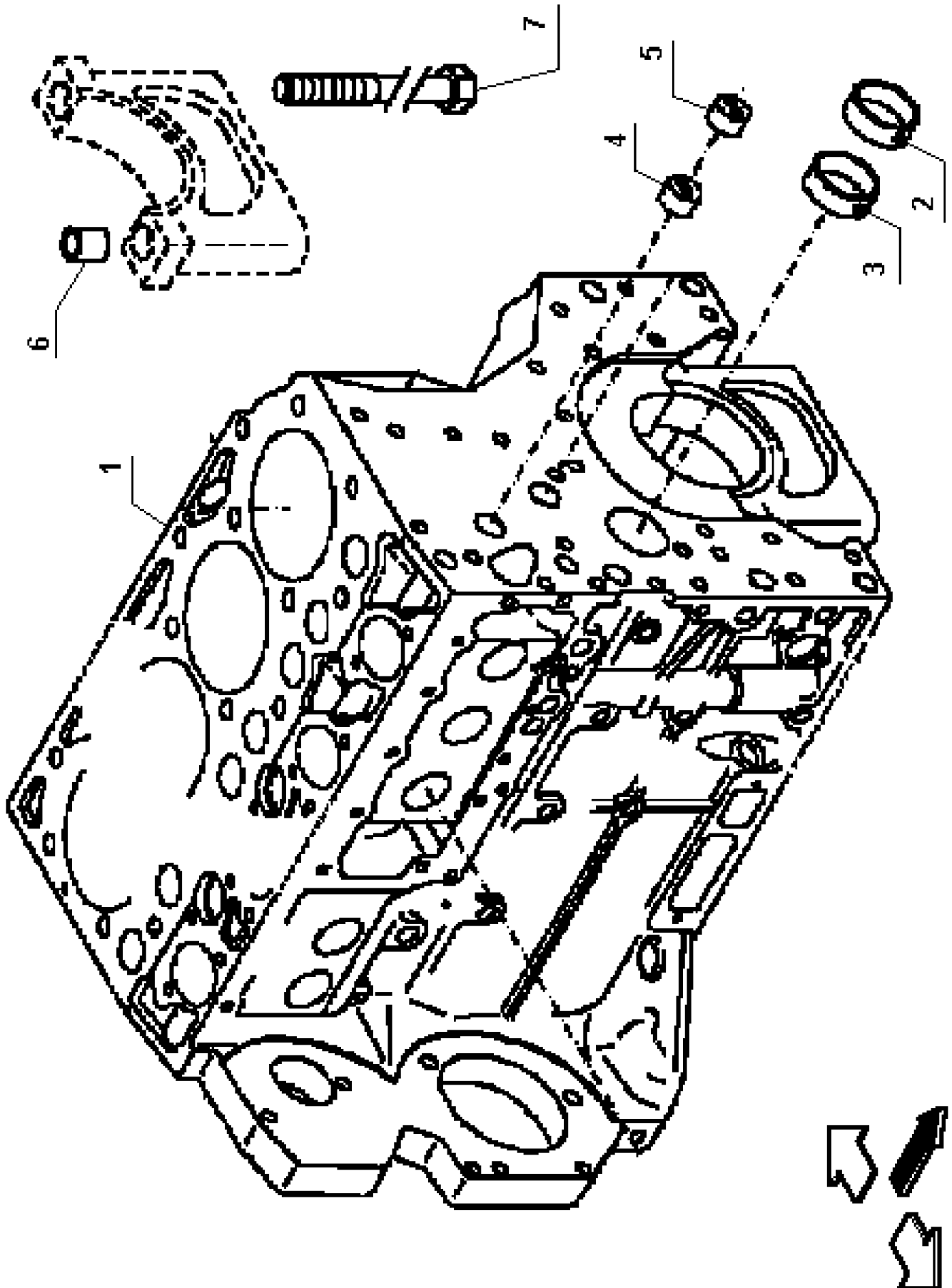


010 COMPLETE ENGINE

Pos.	Part No.	Description	Dimension	Quantity	Conditions
1	77 0005 332 2	ENGINE		1	1)
1	77 0005 332 3	ENGINE		1	2)
1	77 0005 332 4	ENGINE		1	3)
1)	Homologationtype			+ 4512	
2)	Homologationtype			+ 4522	
3)	Homologationtype			+ 4532	



<https://www.ebooklibonline.com>

Hello dear friend!

Thank you very much for reading.

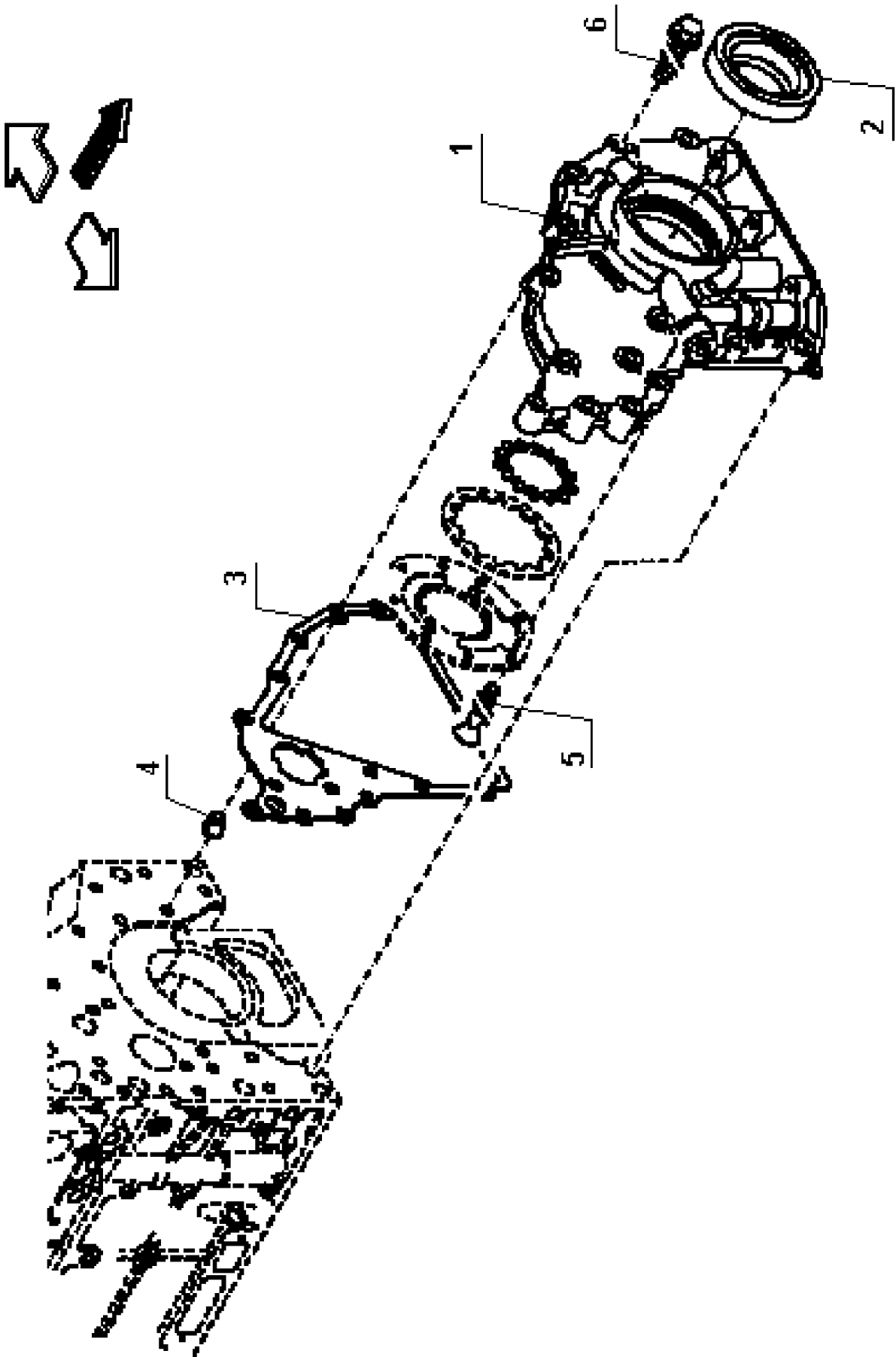
Enter the link into your browser.

The full manual is available for immediate download.

<https://www.ebooklibonline.com>

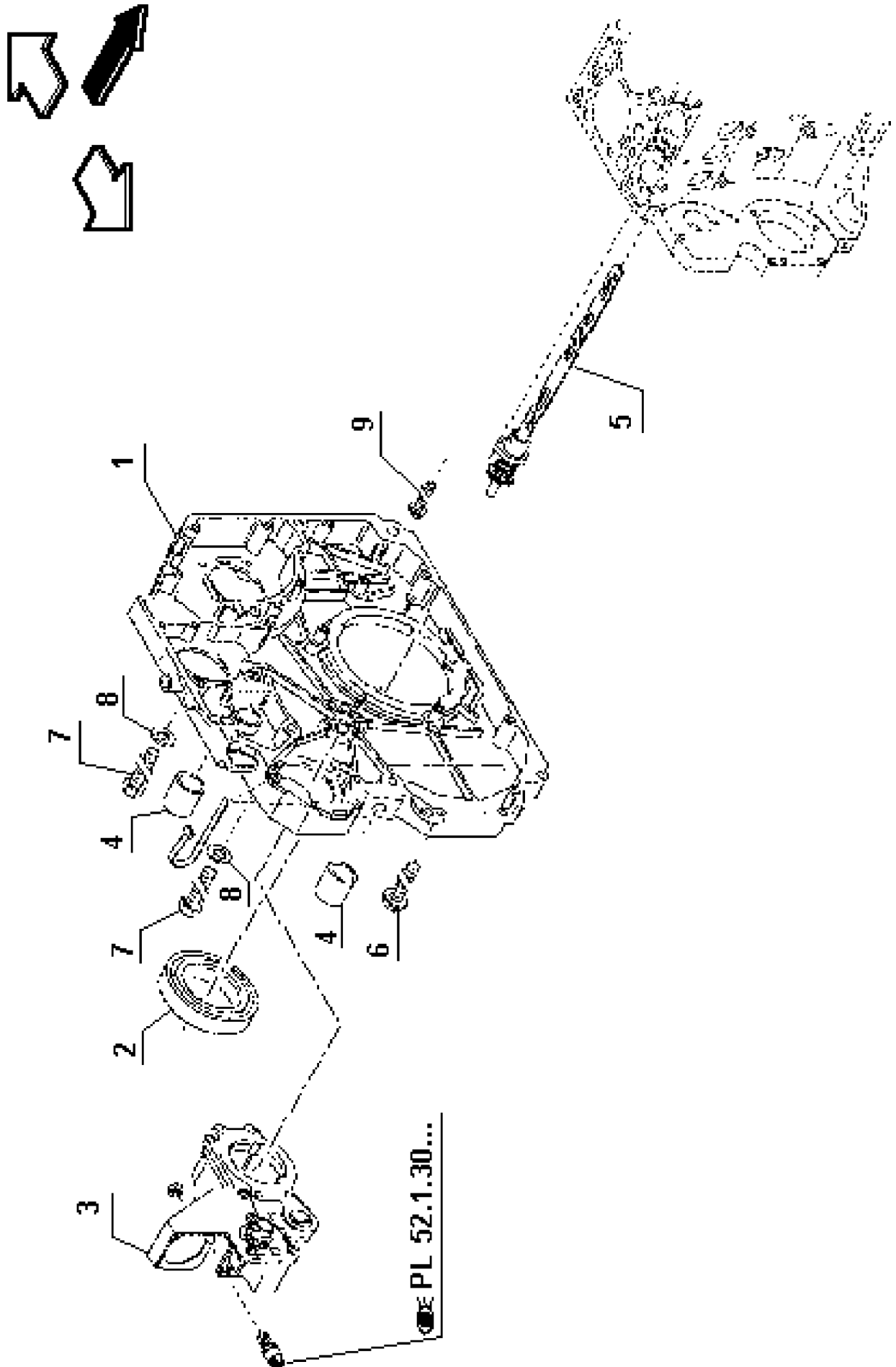
100 CRANKCASE

Pos.	Part No.	Description	Dimension	Quantity	Conditions
1	00 1134 523 0	CRANKCASE		1	
2	60 0502 628 0	RING		6	
3	60 0502 628 1	RING		1	
4	60 0502 628 2	SLEEVE		1	
5	60 0502 628 3	BUSHING		1	
6	60 0502 628 4	BUSHING		14	
7	60 0502 628 5	SCREW		14	



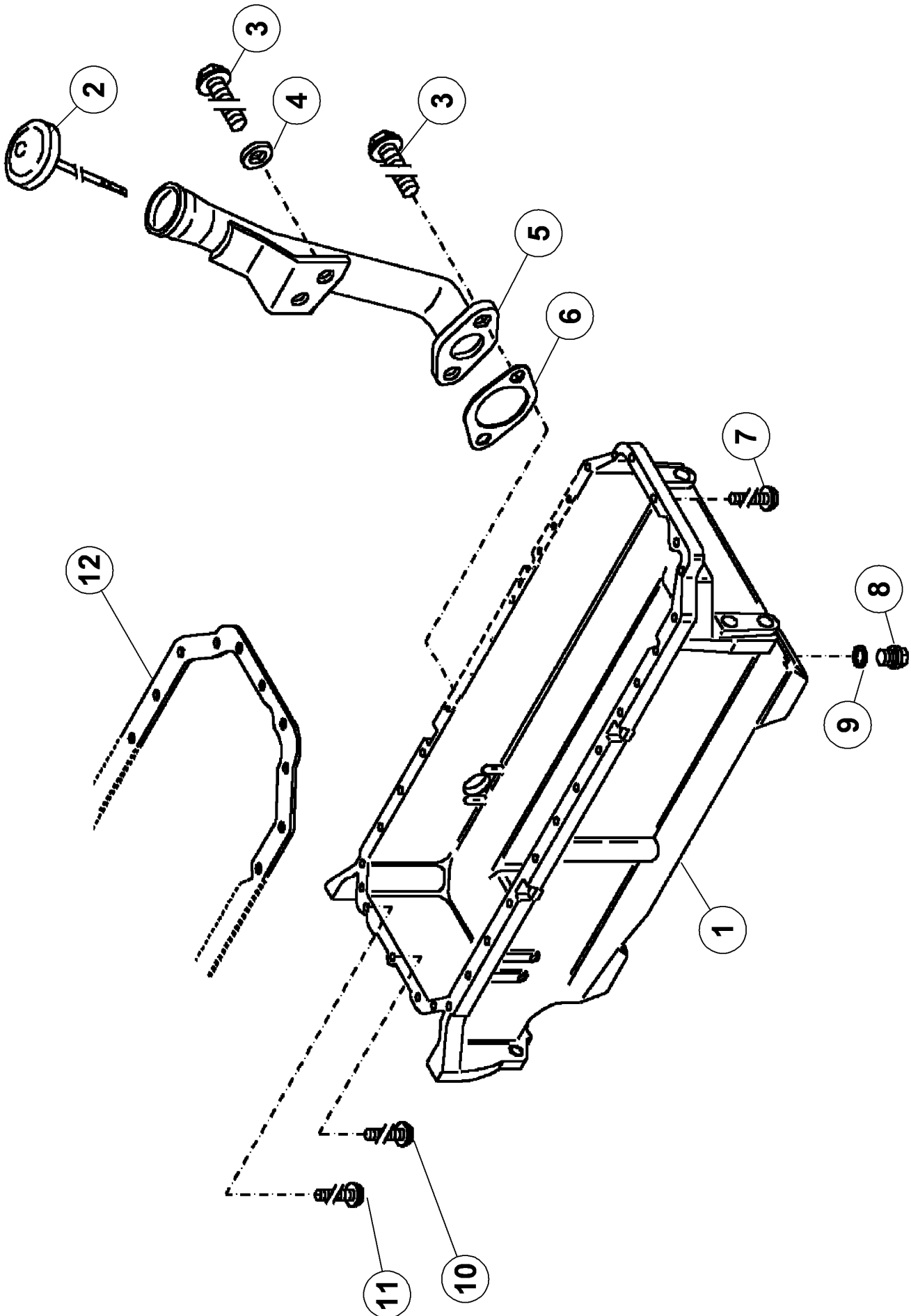
100 CRANKCASE

Pos.	Part No.	Description	Dimension	Quantity	Conditions
1	60 0502 628 6	COVER		1	1)
1	60 0502 884 8	COVER		1	2)
2	60 0502 628 7	SEAL RING		1	
3	60 0502 766 0	SEAL RING		1	
4	60 0502 628 9	SLEEVE		1	
5	60 0502 629 0	SCREW	M 6X 16	8	
6	60 0502 629 1	HEXAGON HEAD BOLT	M8X35-F	14	
<hr/>					
1)	Homologationtype			+ 4512	
<hr/>					
2)	Homologationtype			- 4512	
<hr/>					



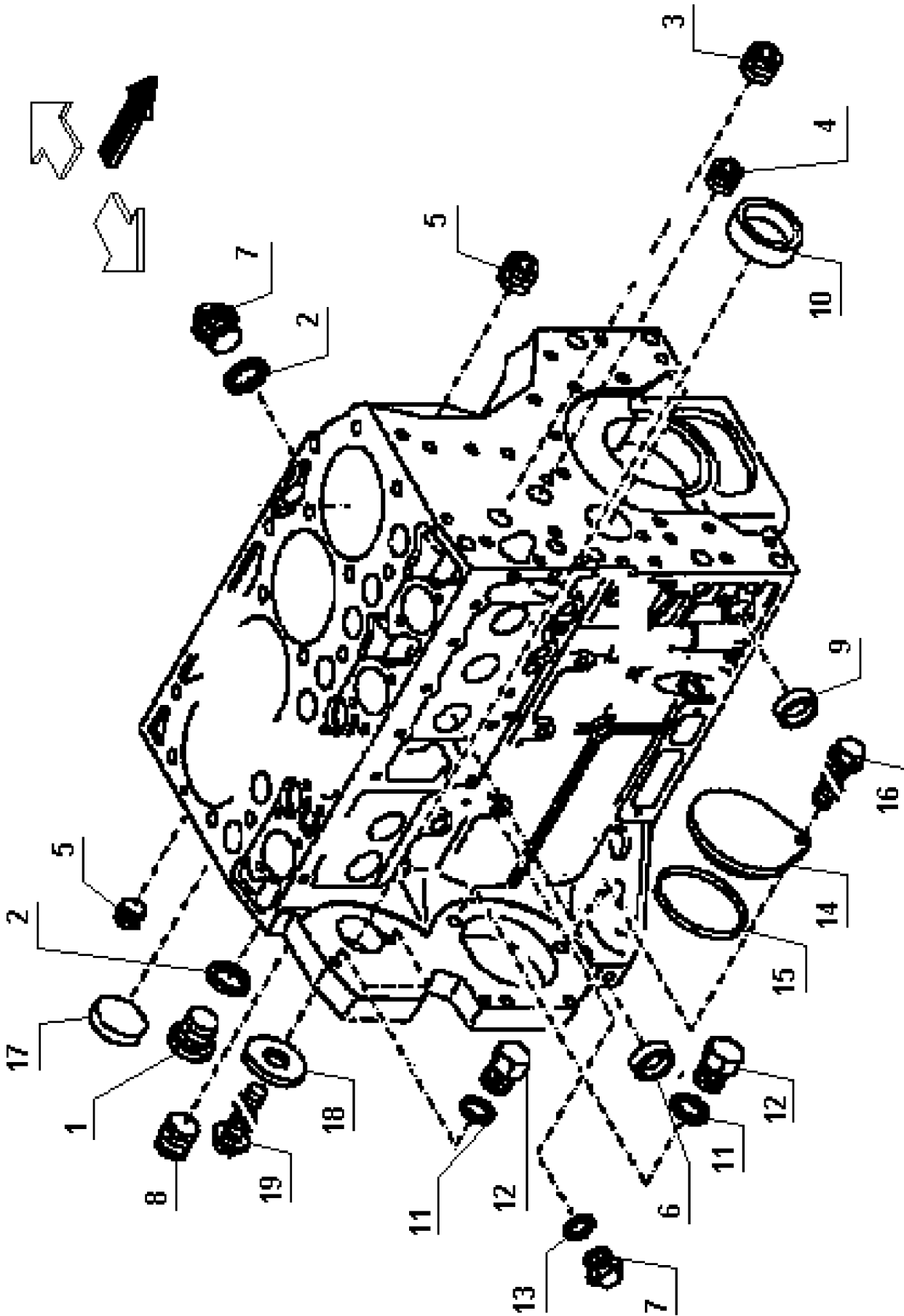
120 TIMING CASE

Pos.	Part No.	Description	Dimension	Quantity	Conditions
1	60 0502 630 9	HOUSING		1	
2	60 0502 631 0	SEAL RING		1	
3	00 1135 063 0	REGULATOR		1	
4	60 0502 631 1	BUSHING		2	
5	60 0502 631 2	ROD		1	
6	60 0502 629 1	HEXAGON HEAD BOLT	M8X35-F	12	
7	60 0502 631 7	SCREW		2	
8	60 0502 631 8	WASHER	A17	2	
9	60 0502 631 5	SCREW		1	



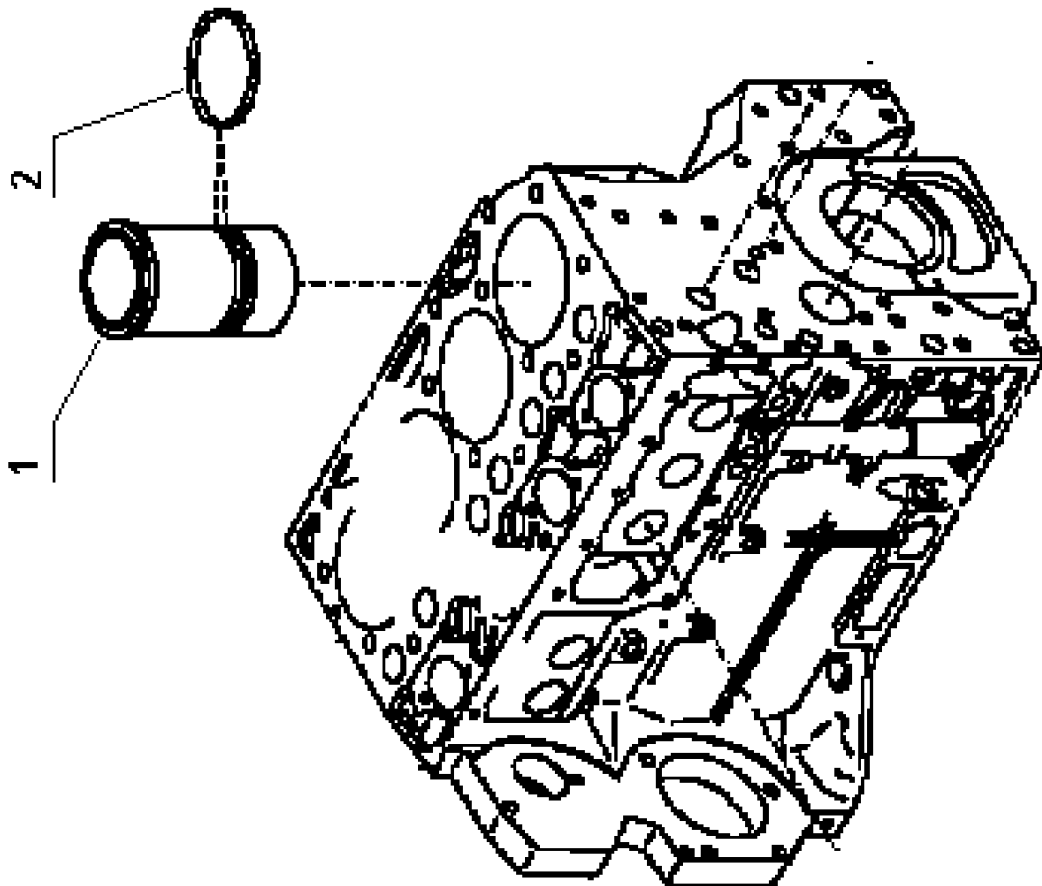
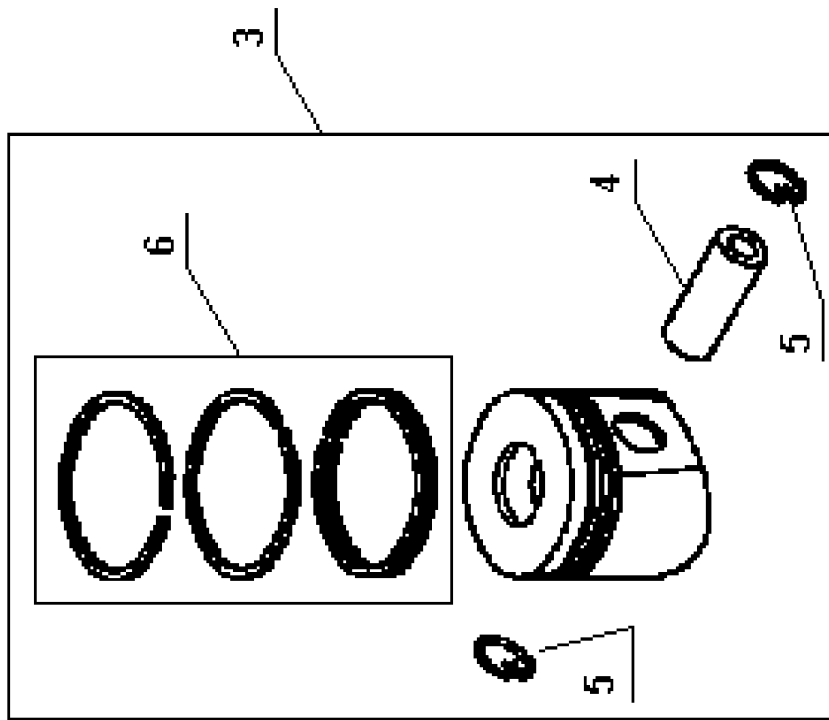
160 OIL PAN

Pos.	Part No.	Description	Dimension	Quantity	Conditions
1	60 0502 631 9	OIL SUMP		1	
2	60 0502 632 5	LOCK		1	
3	60 0502 631 5	SCREW		3	
4	60 0502 633 0	WASHER		1	
5	60 0502 632 3	TUBE		1	
6	60 0502 632 4	SEALING RING	35X58X1,5	1	
7	60 0502 629 1	HEXAGON HEAD BOLT	M8X35-F	27	
8	60 0502 632 0	LOCK		1	
9	60 0502 632 1	SEALING RING	18X24-1,34	1	
10	60 0502 632 8	SCREW	M08X130-F	1	
11	60 0502 632 7	HEXAGON HEAD SCREW	M08X140-F	6	
12	60 0502 632 2	GASKET		1	



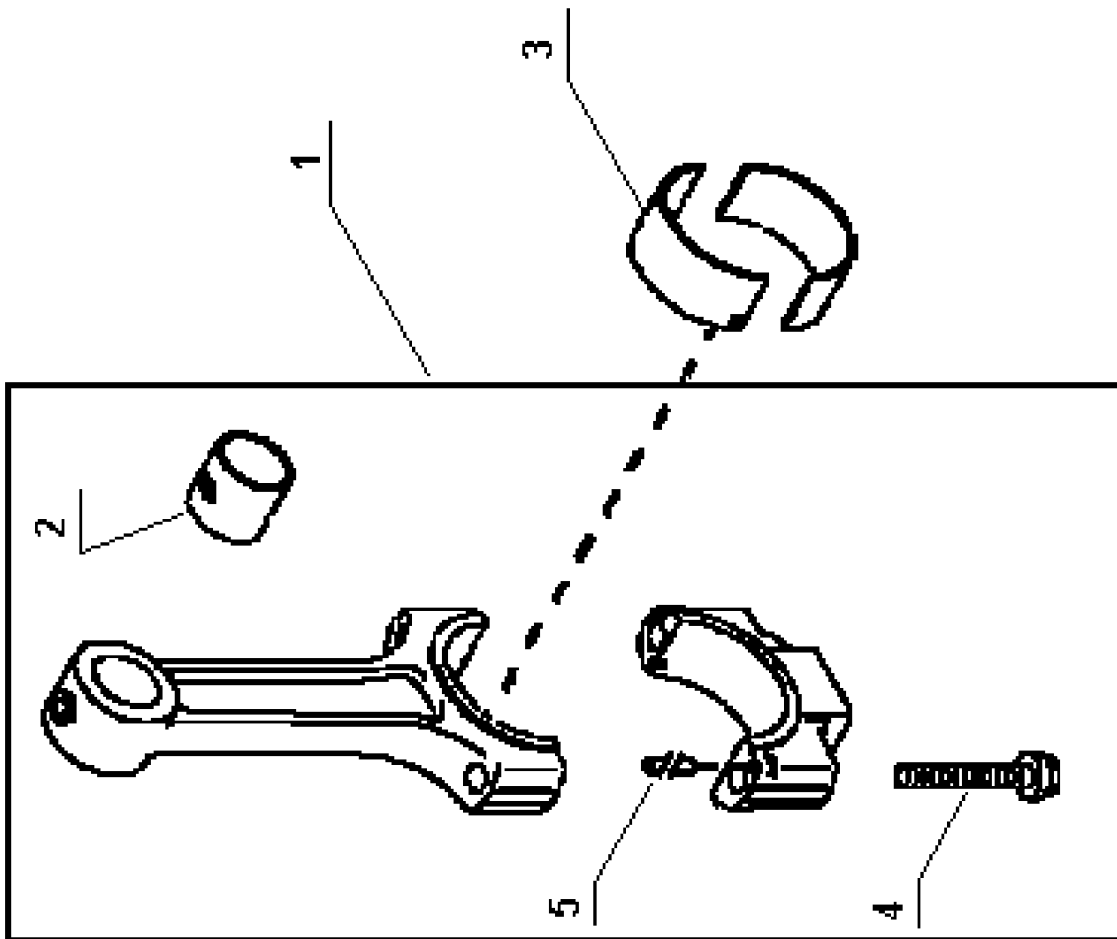
180 PLUGS

Pos.	Part No.	Description	Dimension	Quantity	Conditions
1	60 0502 629 3	LOCK		2	
2	60 0500 090 3	SEALING RING		4	
3	60 0502 629 4	PLUG		1	
4	60 0502 629 5	LOCK		1	
5	60 0502 629 6	LOCK		2	
6	60 0502 629 7	LOCK		10	
7	60 0502 629 8	PLUG	A-M14X1,5	3	
8	60 0502 629 9	LOCK		1	
9	60 0502 630 0	LOCKING COVER	A 36	1	
10	60 0502 630 1	LOCK		1	
11	60 0502 680 3	WASHER		3	
12	60 0502 630 2	LOCK		3	
13	60 0500 092 9	SEALING RING		1	
14	60 0502 630 3	COVER		1	
15	60 0502 630 4	O-RING	96 X 4	1	
16	60 0502 630 5	SCREW	F-M10X 20	1	
17	60 0502 630 6	COVER		1	
18	60 0502 630 7	WASHER		1	
19	60 0502 630 8	SCREW		1	



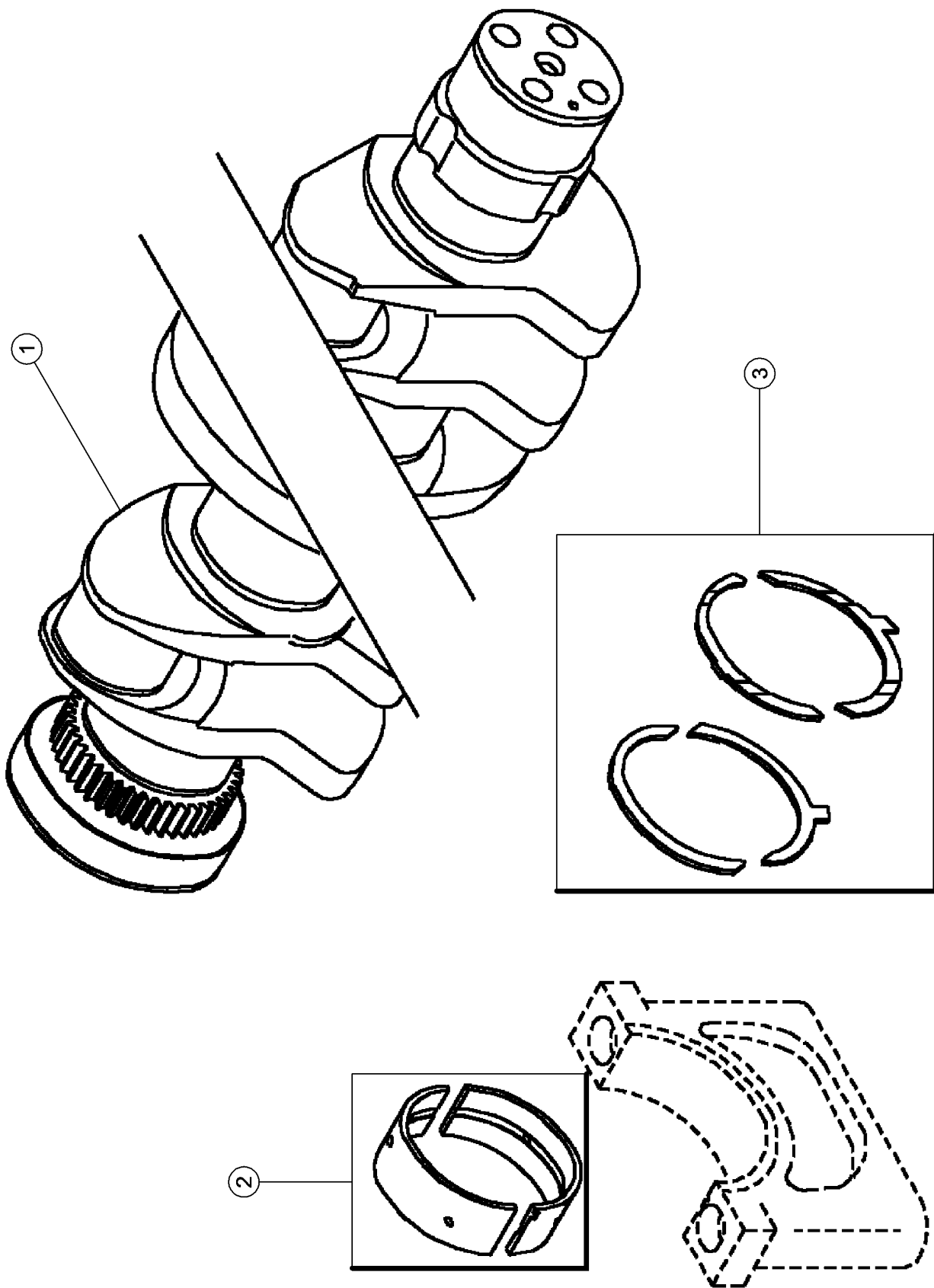
100 CYLINDER LINER, PISTON

Pos.	Part No.	Description	Dimension	Quantity	Conditions
1	00 1143 605 0	LINER		6	
2	60 0502 633 2	O-RING	112 X 3	12	
3	60 0502 633 3	ENGINE PISTON		1	1)
3	60 0502 633 7	ENGINE PISTON		1	2)
4	60 0502 633 4	PISTON BOLT		1	
5	60 0502 633 5	INT RETAINING RING	42 X 1,75	2	
6	60 0502 633 6	SET OF PISTON RINGS		1	1)
6	60 0502 633 8	SET OF PISTON RINGS		1	2)
<hr/>					
1)	Homologationtype			+ 4512	
<hr/>					
2)	Homologationtype			- 4512	
<hr/>					



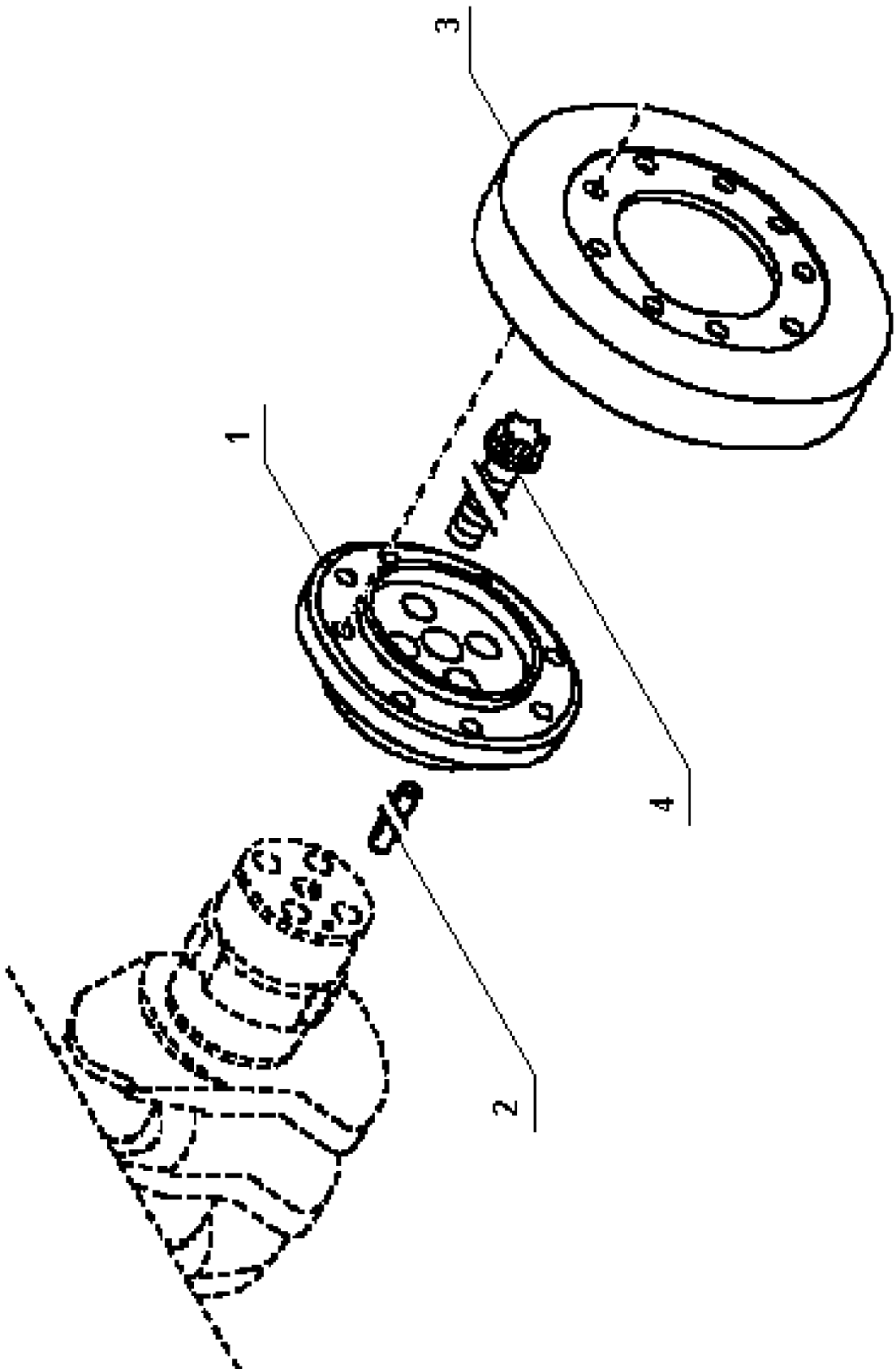
120 CONNECTING ROD, CONNECTING ROD BEARINGS

Pos.	Part No.	Description	Dimension	Quantity	Conditions
1	60 0502 633 9	ROD (ENGINE)		6	
2	60 0502 634 0	RING		6	
3	60 0502 634 1	BEARING		6	1)
3	60 0502 634 2	BEARING		6	2)
3	60 0502 634 3	BEARING		6	3)
4	60 0502 634 4	SCREW		12	
5	60 0502 634 5	PIN		12	
1)	Remarks		DI.68mm		
2)	Remarks		DI.67,75mm		
3)	Remarks		DI.67,50mm		



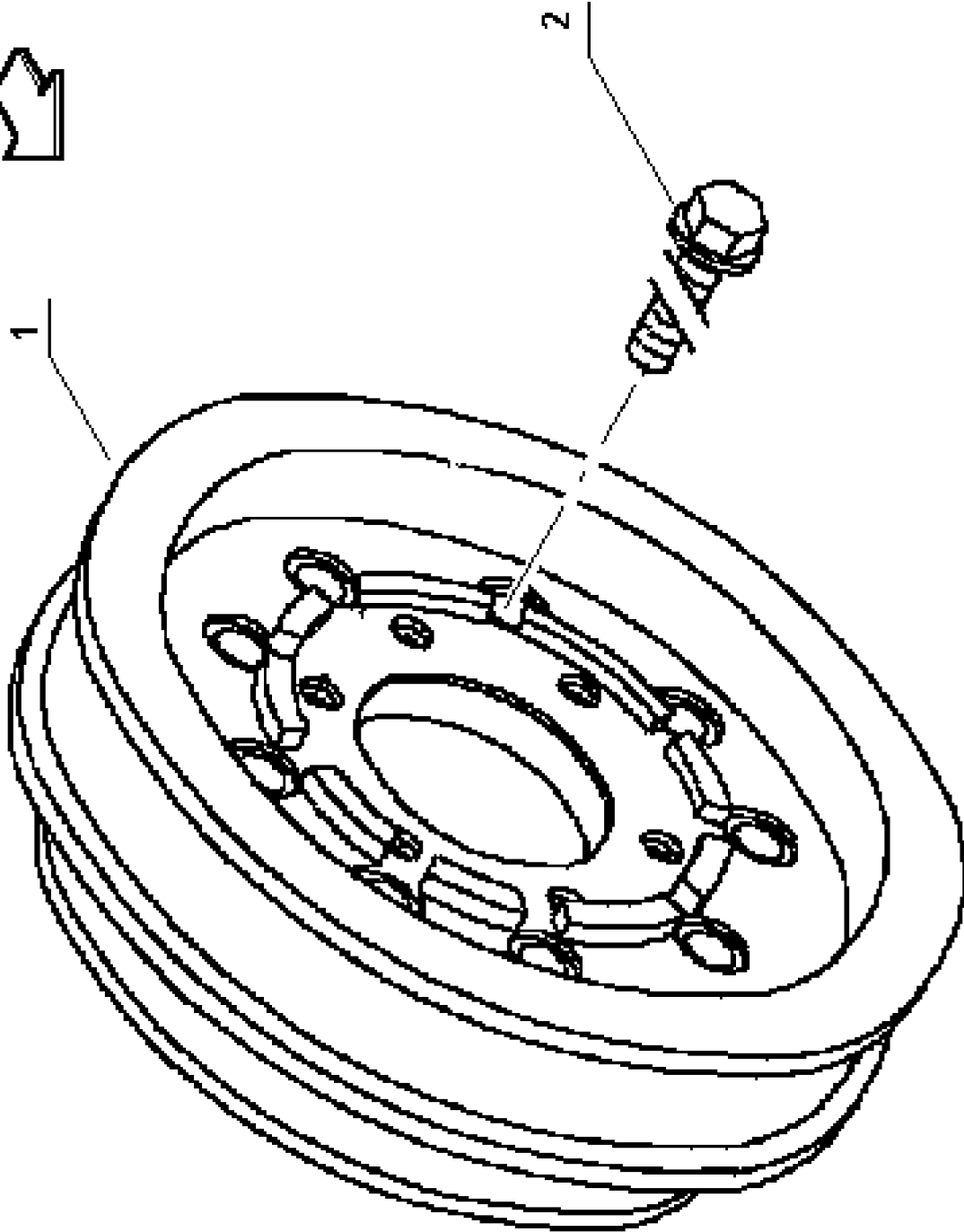
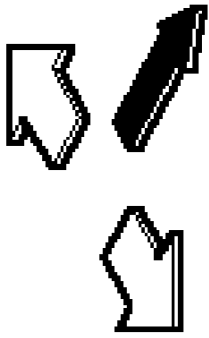
140 CRANKSHAFT

Pos.	Part No.	Description	Dimension	Quantity	Conditions
1	60 0502 634 6	CRANKSHAFT		1	
2	60 0502 634 7	BEARING		7	1)
2	60 0502 635 0	BEARING/CRANK		7	2)
2	60 0502 635 1	BEARING		7	3)
3	60 0502 634 8	STOP		1	4)
3	00 1145 023 0	WASHER		2	5)
1)	Remarks		Std.(85mm)		
2)	Remarks		84,75mm		
3)	Remarks		84,5mm		
4)	Remarks		Std.(2,9mm)		
5)	Remarks		3,1mm		



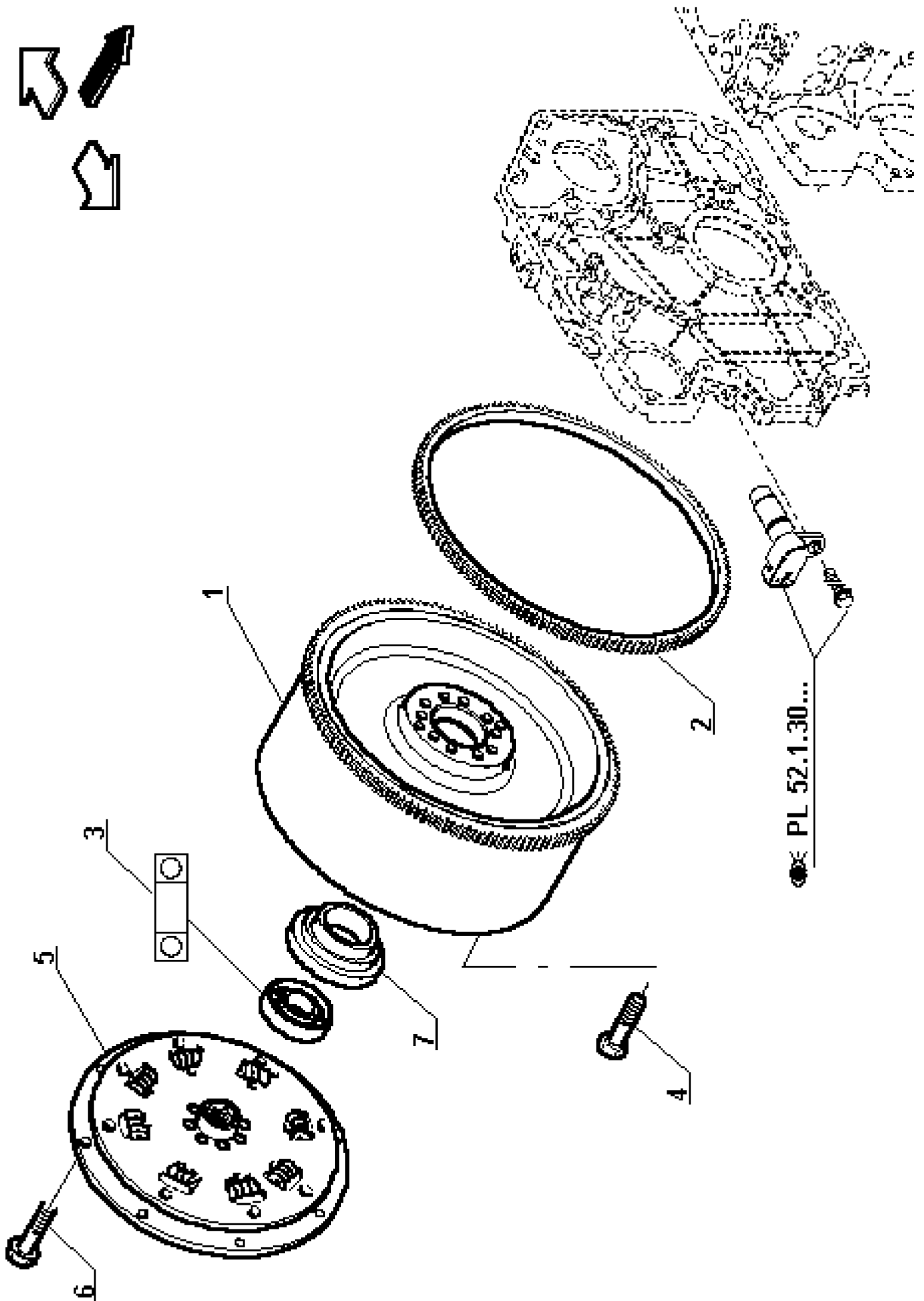
140 CRANKSHAFT

Pos.	Part No.	Description	Dimension	Quantity	Conditions
1	60 0502 635 3	FLANGE		1	
2	60 0502 635 4	BUSHING		1	
3	60 0502 635 5	ANTI-VIBRATION WHEEL		1	
4	60 0503 083 9	SCREW	B M16X1, 5X80-AUS-6RD E20	4	



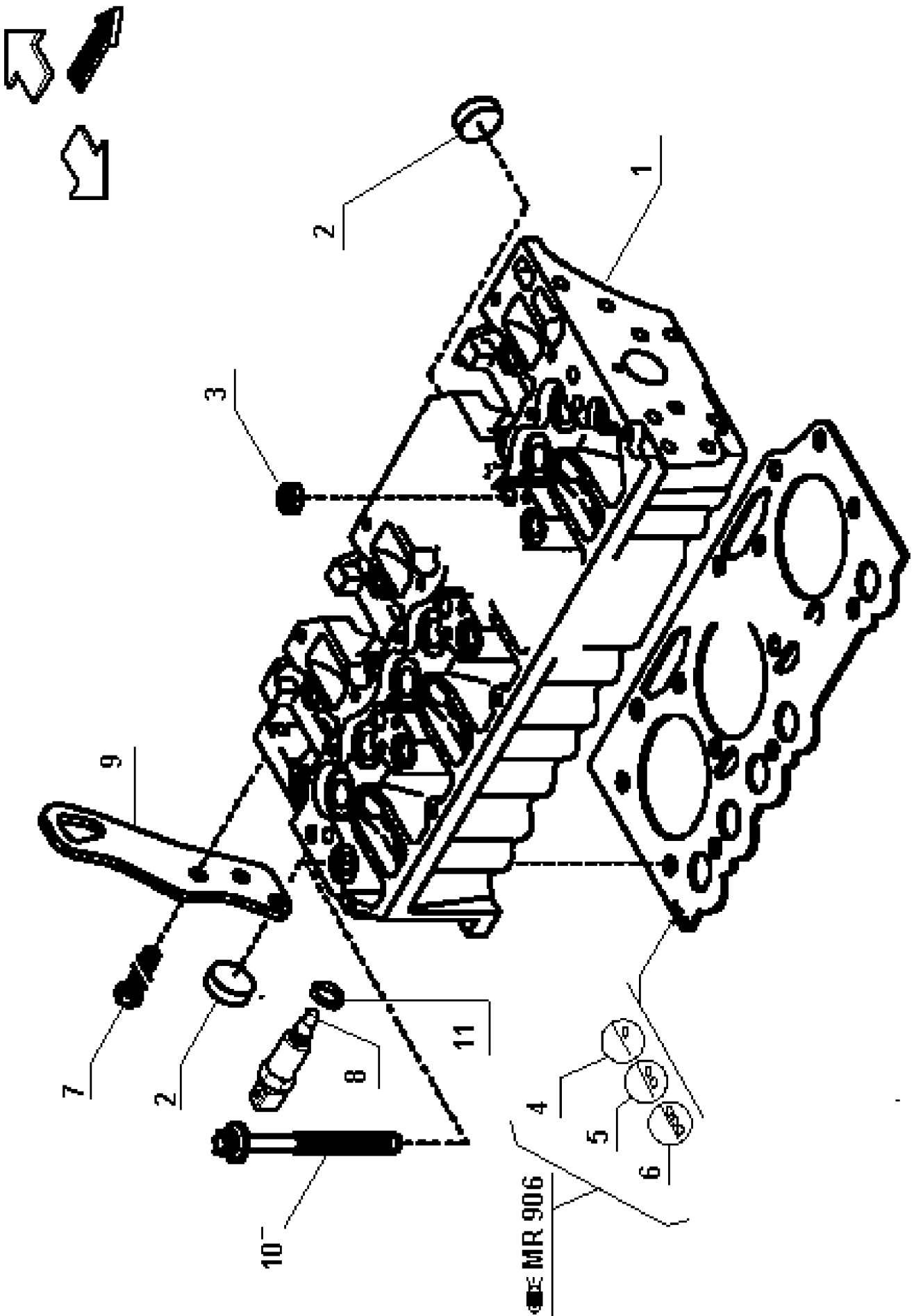
161 CRANKSHAFT PULLEY WHEEL

Pos.	Part No.	Description	Dimension	Quantity	Conditions
1	60 0502 655 9	V-BELT PULLEY		1	
2	60 0502 656 0	HEXAGON HEAD SCREW	F-M10X38	9	



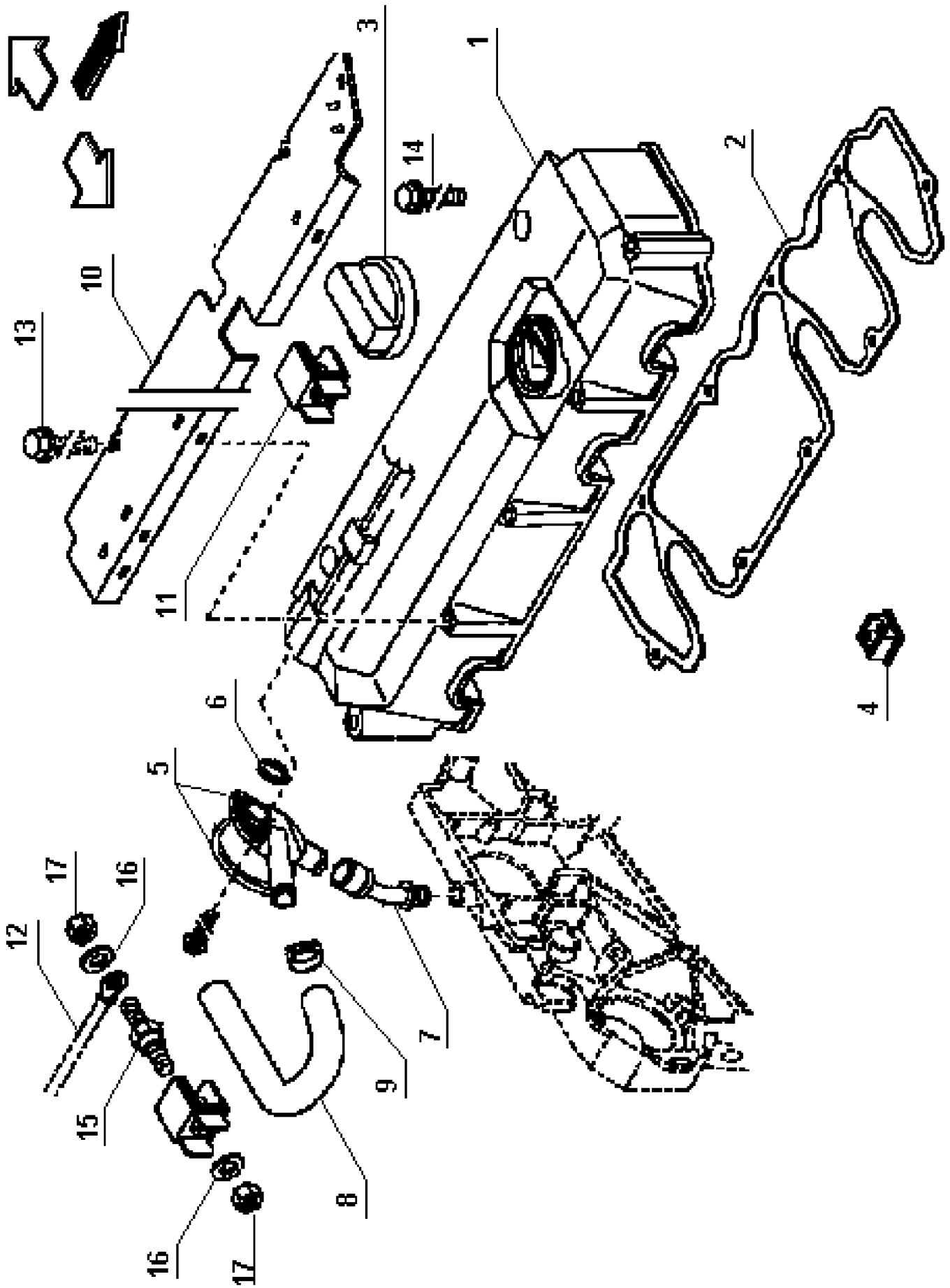
220 FLYWHEEL

Pos.	Part No.	Description	Dimension	Quantity	Conditions
1	77 0005 360 0	FLYWHEEL		1	
2	00 1134 889 0	TOOTHED RIM		1	
3	07 7062 062 3	BEARING-1 BALL		1	1)
4	77 0005 426 6	SCREW		10	2)
5	77 0005 363 7	TORSION DAMPER		1	
6	77 0005 997 8	HEXAGON HEAD BOLT	M10X40	8	3)
7	77 0006 562 7	BUSHING		1	4)
1)	Remarks		30X62X16		
2)	Remarks		10x100-105/12,9		
3)	Remarks		M10X150-40		
4)	machine no.	4512	from CT4510030		
	machine no.	4522	from CT4520061		
	machine no.	4532	from CT4530105		



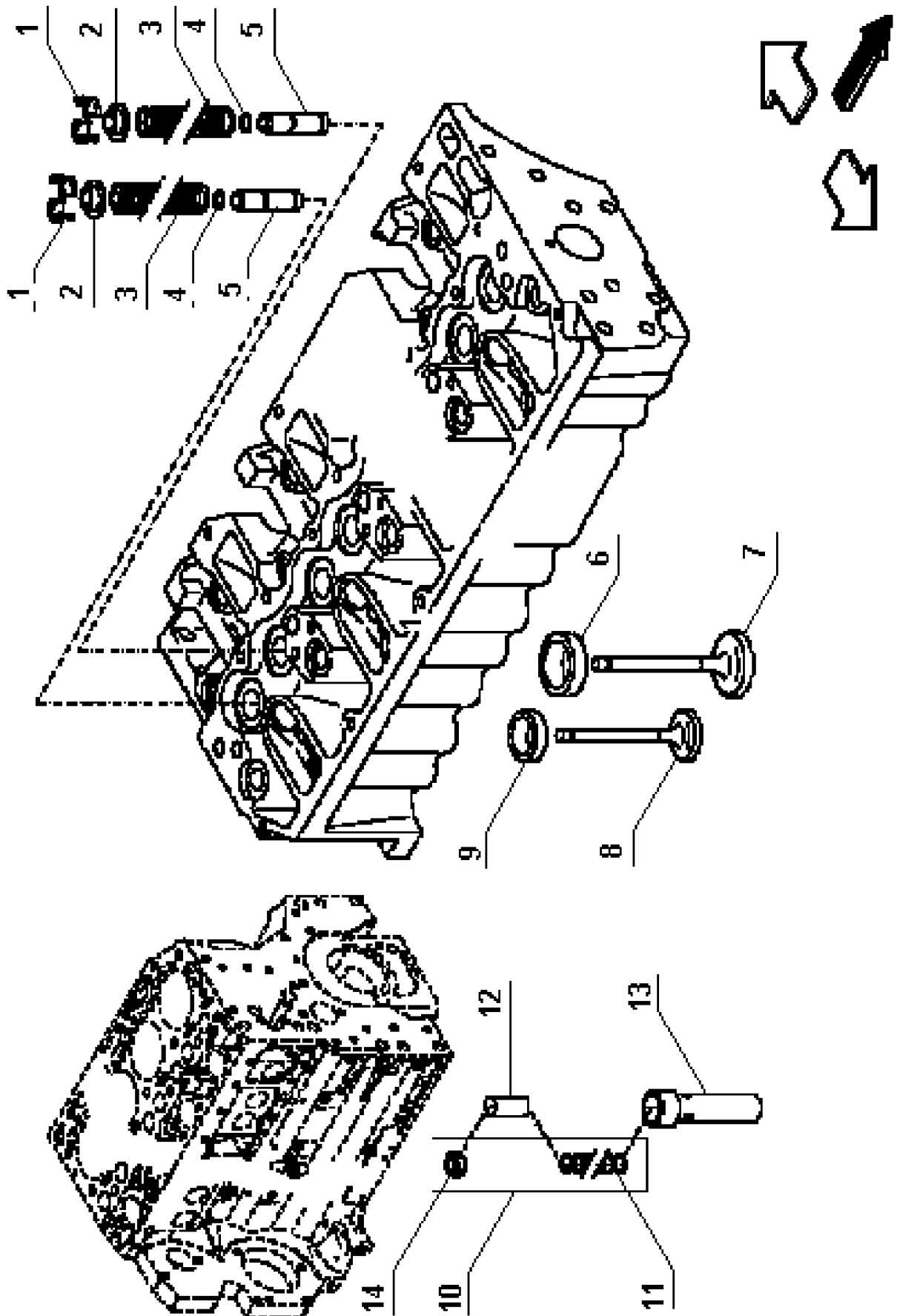
100 CYLINDER HEAD

Pos.	Part No.	Description	Dimension	Quantity	Conditions
1	60 0502 636 0	CYLINDER HEAD		1	
2	60 0502 630 0	LOCKING COVER	A 36	5	
3	60 0502 636 2	LOCK		5	
4	60 0502 636 3	CYLINDER HEAD GASKET		1	
5	60 0502 636 4	CYLINDER HEAD GASKET		1	
6	60 0502 636 5	CYLINDER HEAD GASKET		1	
7	60 0502 636 8	SCREW		3	
8	77 0005 893 5	SENSOR		1	1)
9	60 0502 636 6	SUPPORT		1	
10	60 0502 636 7	SCREW		26	
11	77 0007 639 2	SEAL RING		1	2)
1)	Remarks		TEMP EAU		
2)	Remarks		14x18-1,50		



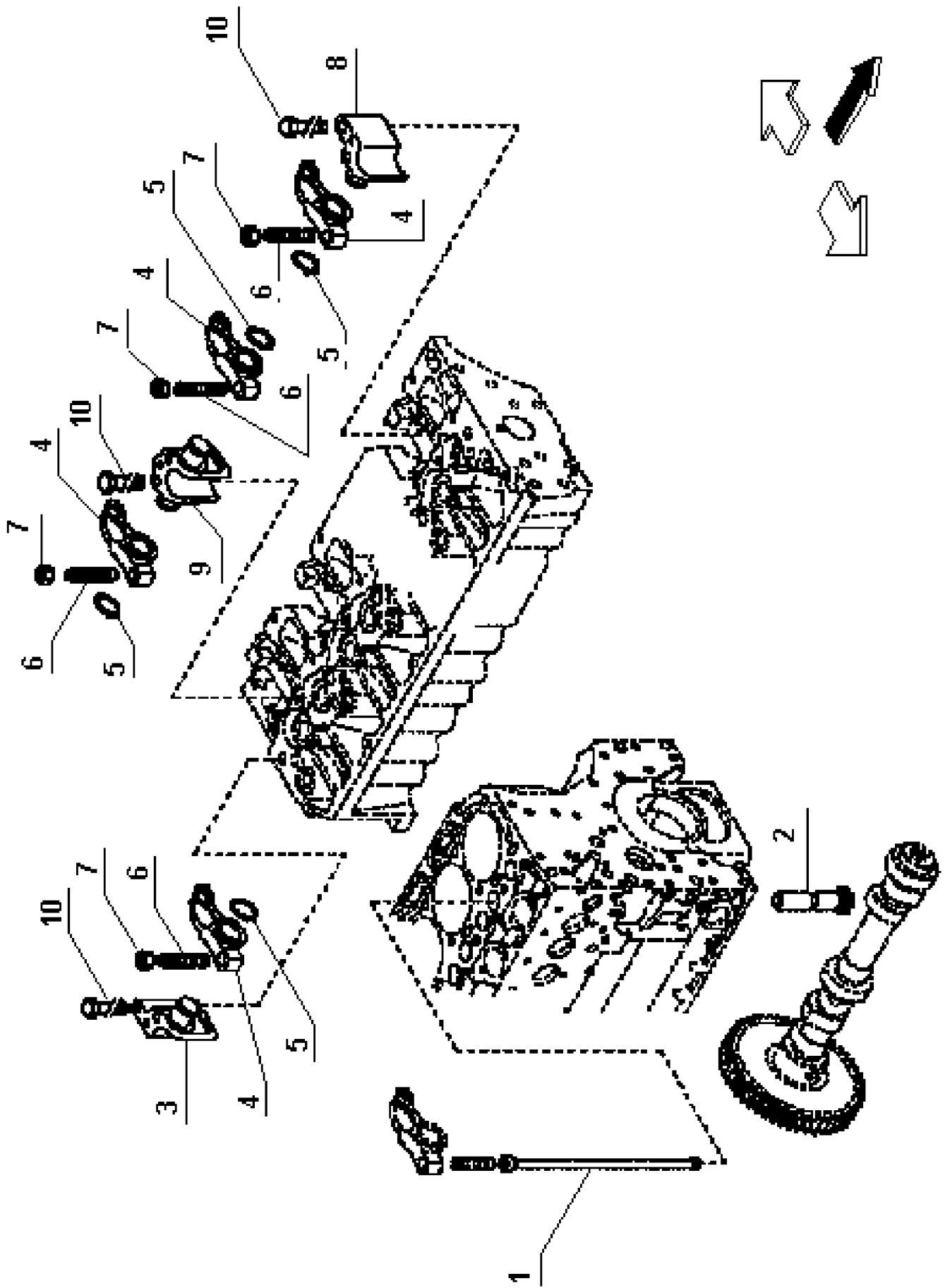
120 CYLINDER HEAD COVER

Pos.	Part No.	Description	Dimension	Quantity	Conditions
1	60 0503 048 3	COVER		1	
2	60 0503 009 4	SEAL RING		1	
3	60 0502 637 0	LOCKING COVER		1	
4	60 0502 637 1	COVER		1	
5	60 0502 637 2	REGULATOR		1	
6	60 0502 637 3	SEAL RING		1	
7	60 0502 637 4	RUBBER HOSE		1	
8	60 0502 637 5	TUBE		1	
9	60 0502 637 6	CLAMP	A-29X15	1	
10	60 0502 637 7	PLATE		1	
11	60 0502 637 8	STRIP		2	
12	60 0502 637 9	WIRE		1	
13	60 0502 638 0	SCREW		13	
14	60 0502 980 6	SCREW	F-M 6X20	2	
15	60 0502 638 2	STUD		2	
16	60 0502 638 3	WASHER	6 -6,4X12X1,6	4	
17	60 0502 638 4	NUT	M06	4	



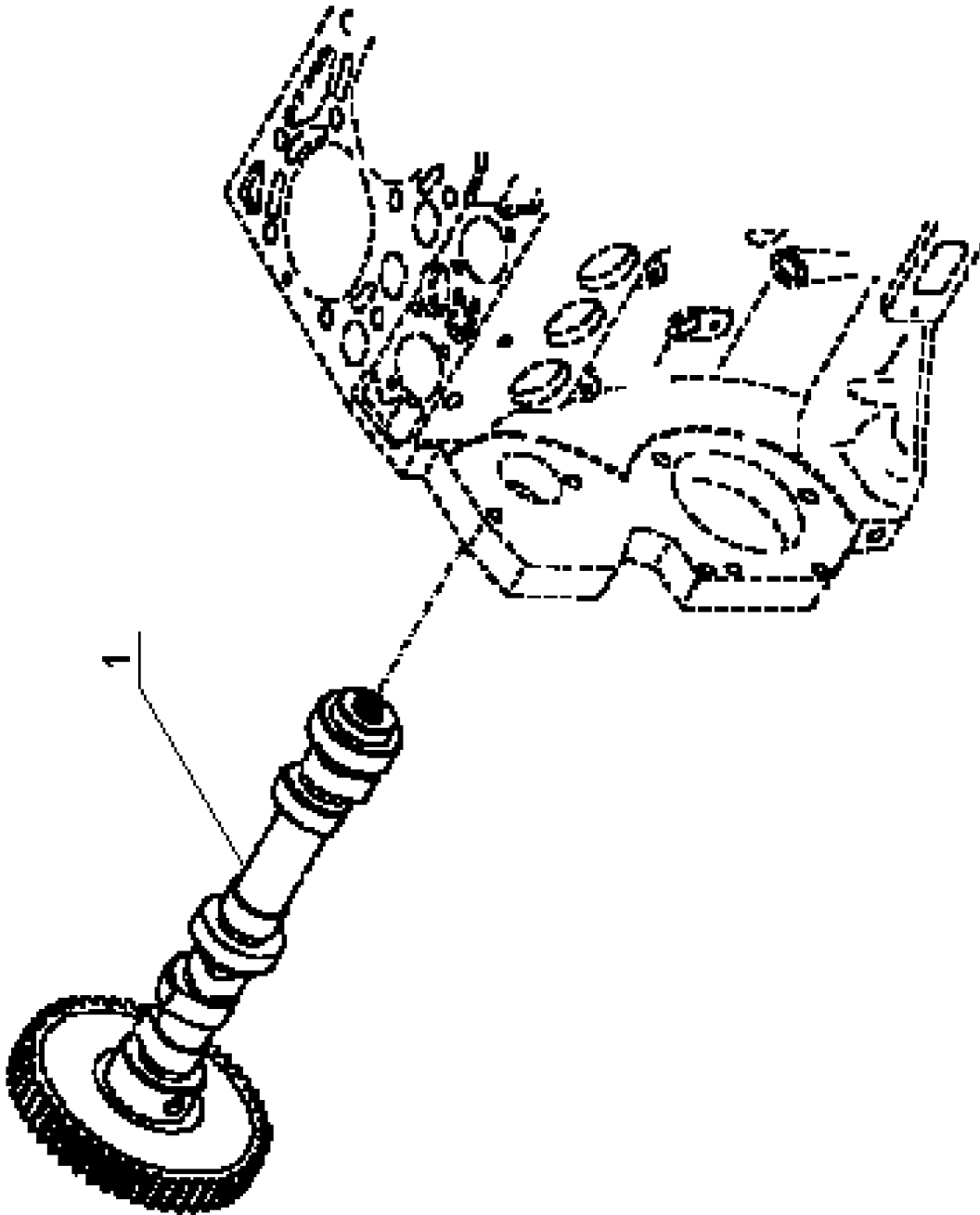
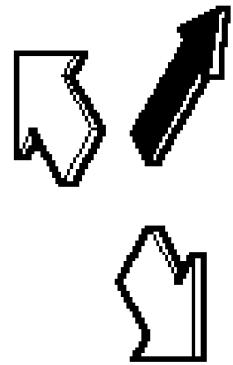
140 VALVES

Pos.	Part No.	Description	Dimension	Quantity	Conditions
1	60 0502 638 5	HALF-CONE		24	
2	60 0502 638 6	WASHER		12	
3	60 0502 638 7	SPRING		12	
4	60 0502 638 8	O-RING	9X1,5	12	
5	60 0502 638 9	GUIDE		12	
6	60 0502 639 0	VALVE SEAT		6	
7	60 0502 639 1	ENGINE VALVE		6	1)
8	60 0502 639 2	ENGINE VALVE		6	2)
9	60 0502 639 3	VALVE SEAT		6	
10	60 0502 639 4	VALVE		1	
11	60 0502 639 5	SPRING		1	
12	60 0502 639 6	ROD		1	
13	60 0502 639 7	BUSHING		1	
14	60 0502 639 8	SHAFT SEAL		1	
1)	Remarks		ADM		
2)	Remarks		ECH		



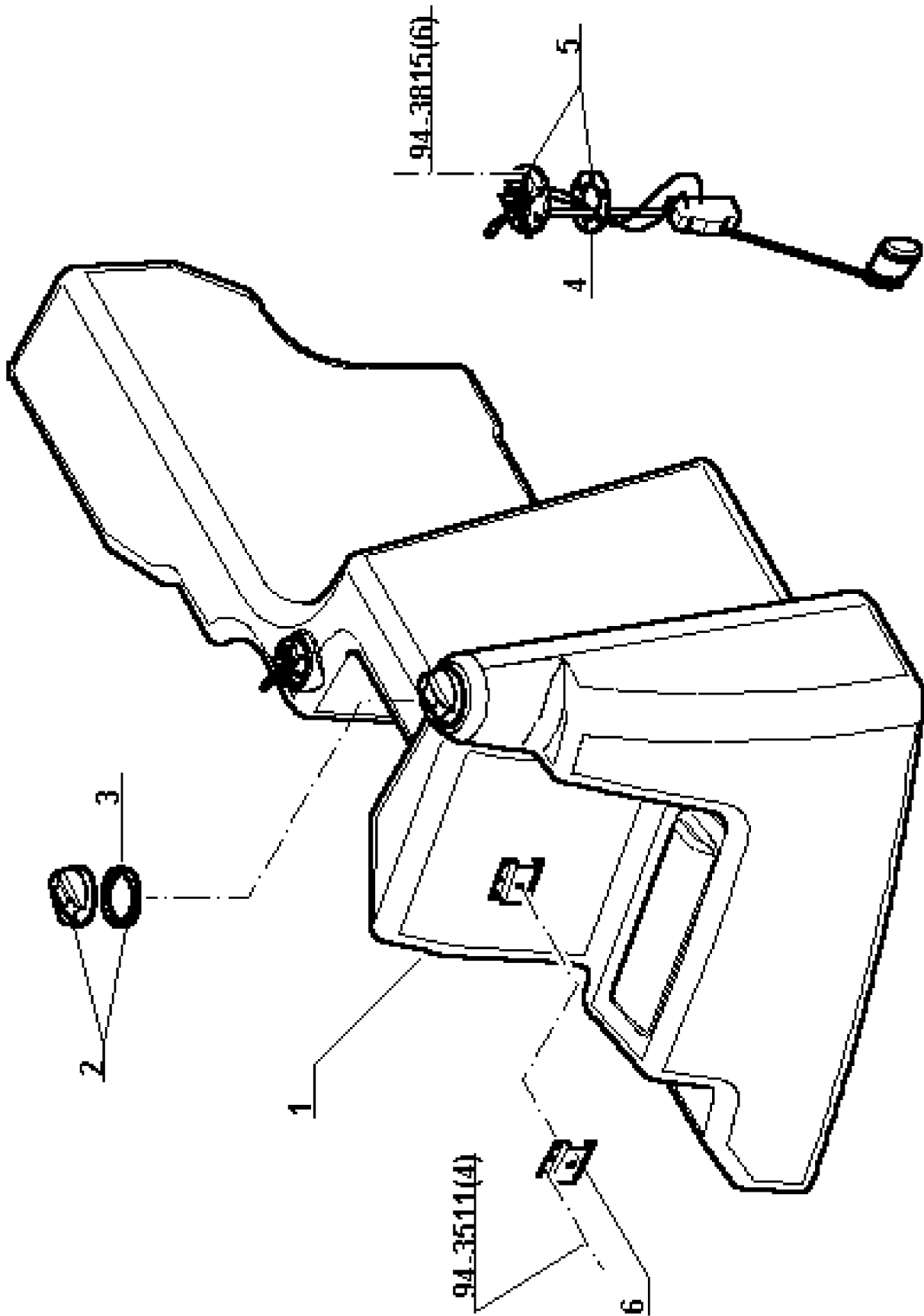
160 ROCKER ARM

Pos.	Part No.	Description	Dimension	Quantity	Conditions
1	60 0502 639 9	ROD		12	
2	60 0502 640 0	PUSH BUTTON		12	
3	60 0502 640 1	SUPPORT		1	
4	60 0502 640 2	ROCKER ARM		12	
5	60 0502 640 3	CIRCLIP	21 X 1,2	12	
6	60 0500 072 5	ADJUSTING SCREW		12	
7	60 0502 640 4	HEXAGONAL NUT		12	
8	60 0502 640 5	SUPPORT		1	
9	60 0502 640 6	SUPPORT		5	
10	00 1135 960 0	SCREW	F-M 8X75	24	



180 CAMSHAFT, CAMSHAFT BEARING BUSHES

Pos.	Part No.	Description	Dimension	Quantity	Conditions
1	60 0502 640 8	CAMSHAFT		1	1)
1	60 0502 640 9	CAMSHAFT		1	2)
1)	Homologationtype				+ 4512
2)	Homologationtype				- 4512





Suggest:

For more complete manuals. Please go to the home page.

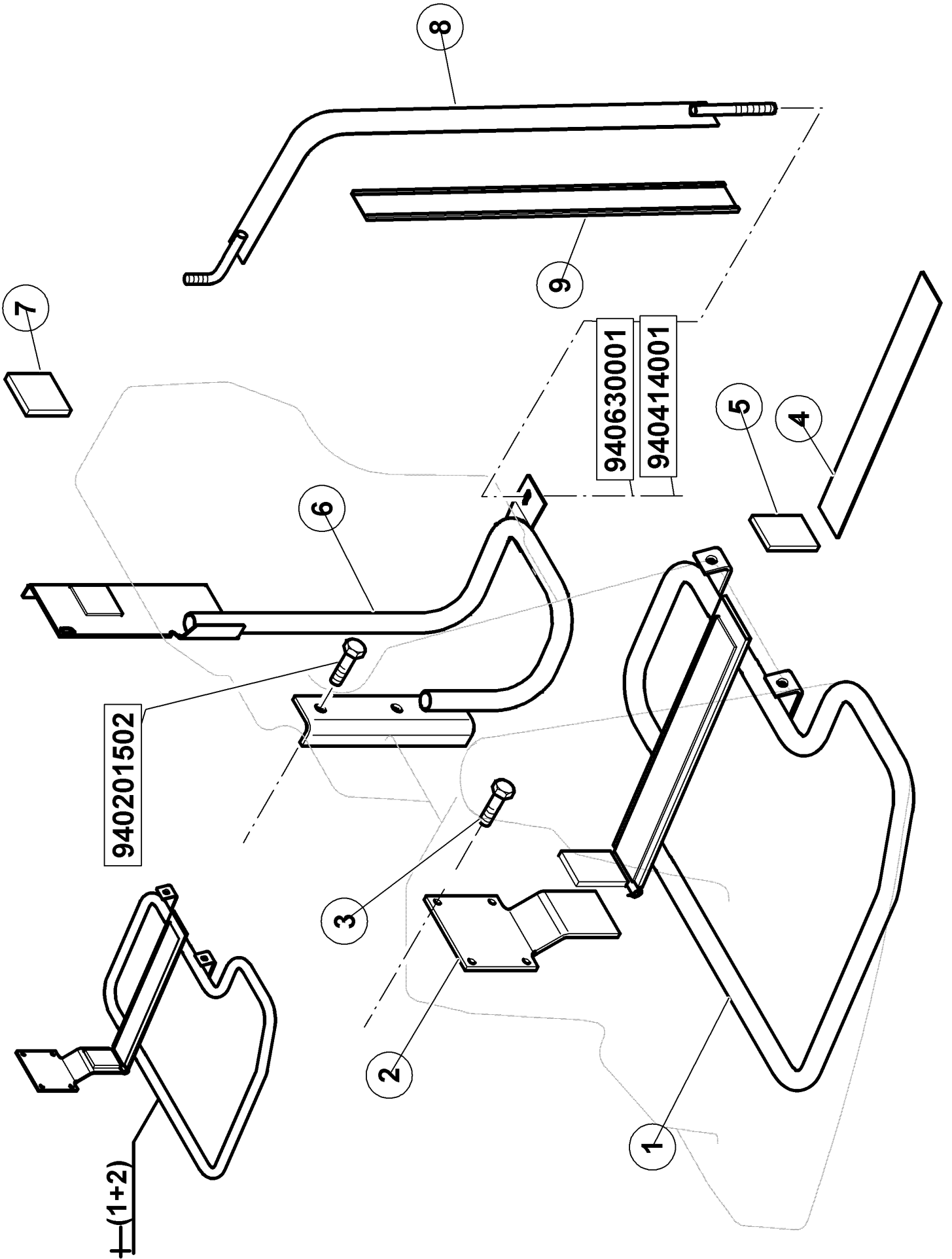
<https://www.ebooklibonline.com>

If the above button click is invalid. Please download this document first, and then click the above link to download the complete manual.

Thank you so much for reading

100 FUEL TANK

Pos.	Part No.	Description	Dimension	Quantity	Conditions
1	77 0005 913 6	DIESEL TANK		1	1)
1	77 0007 586 3	DIESEL TANK		1	2)
-		<i>Please order!</i>			
	<i>77 0007 446 7</i>	<i>PLATE</i>		1,000	
	<i>77 0007 613 9</i>	<i>SUPPORT</i>		1,000	
2	77 0005 537 1	PLUG		1	
3	77 0005 537 2	O-RING		1	
4	77 0005 784 4	INDICATOR		1	1)
4	77 0006 451 4	INDICATOR		1	2)
5	77 0003 904 2	GASKET		1	
6	77 0004 487 2	SUPPORT		1	
1)	machine no.	4512			up to CT4510011
	machine no.	4522			up to CT4520215
	machine no.	4532			up to CT4530228
2)	machine no.	4512			from CT4510012
	machine no.	4522			from CT4520216
	machine no.	4532			from CT4530229



<https://www.ebooklibonline.com>

Hello dear friend!

Thank you very much for reading.

Enter the link into your browser.

The full manual is available for immediate download.

<https://www.ebooklibonline.com>