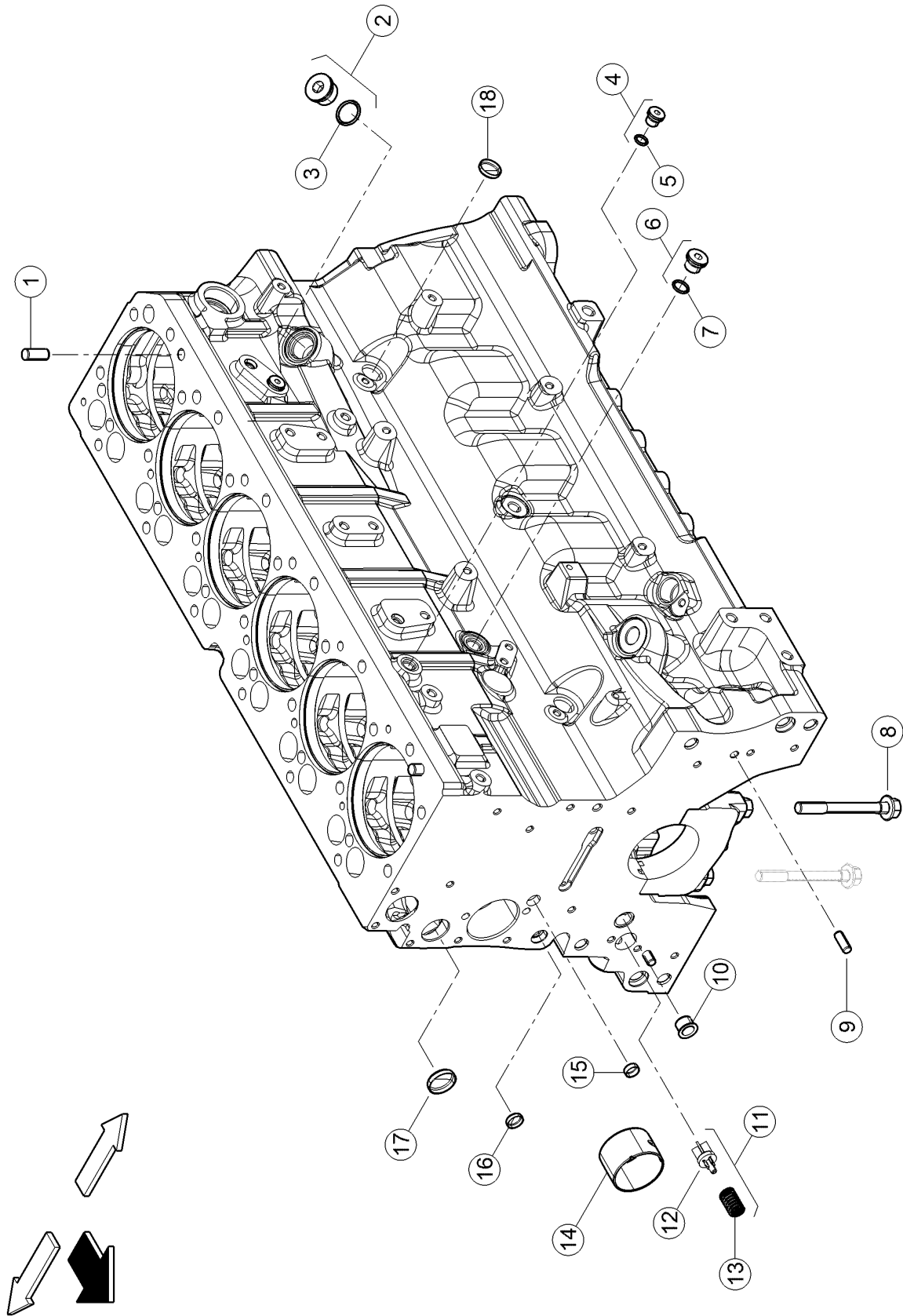


010 COMPLETE ENGINE

Pos.	Part No.	Description	Dimension	Quantity	Conditions
1	00 1169 915 0	ENGINE		1	



<https://www.ebooklibonline.com>

Hello dear friend!

Thank you very much for reading.

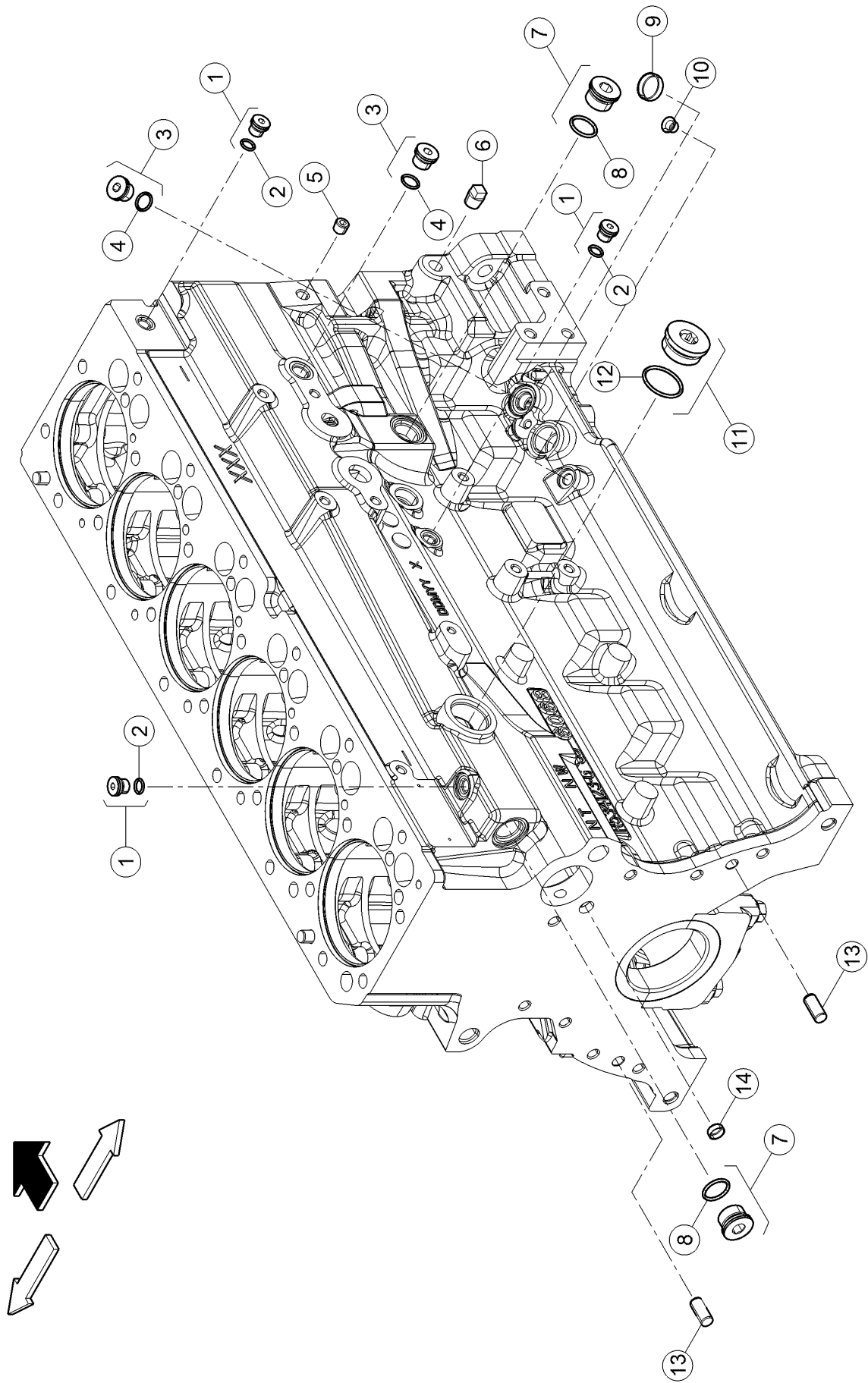
Enter the link into your browser.

The full manual is available for immediate download.

<https://www.ebooklibonline.com>

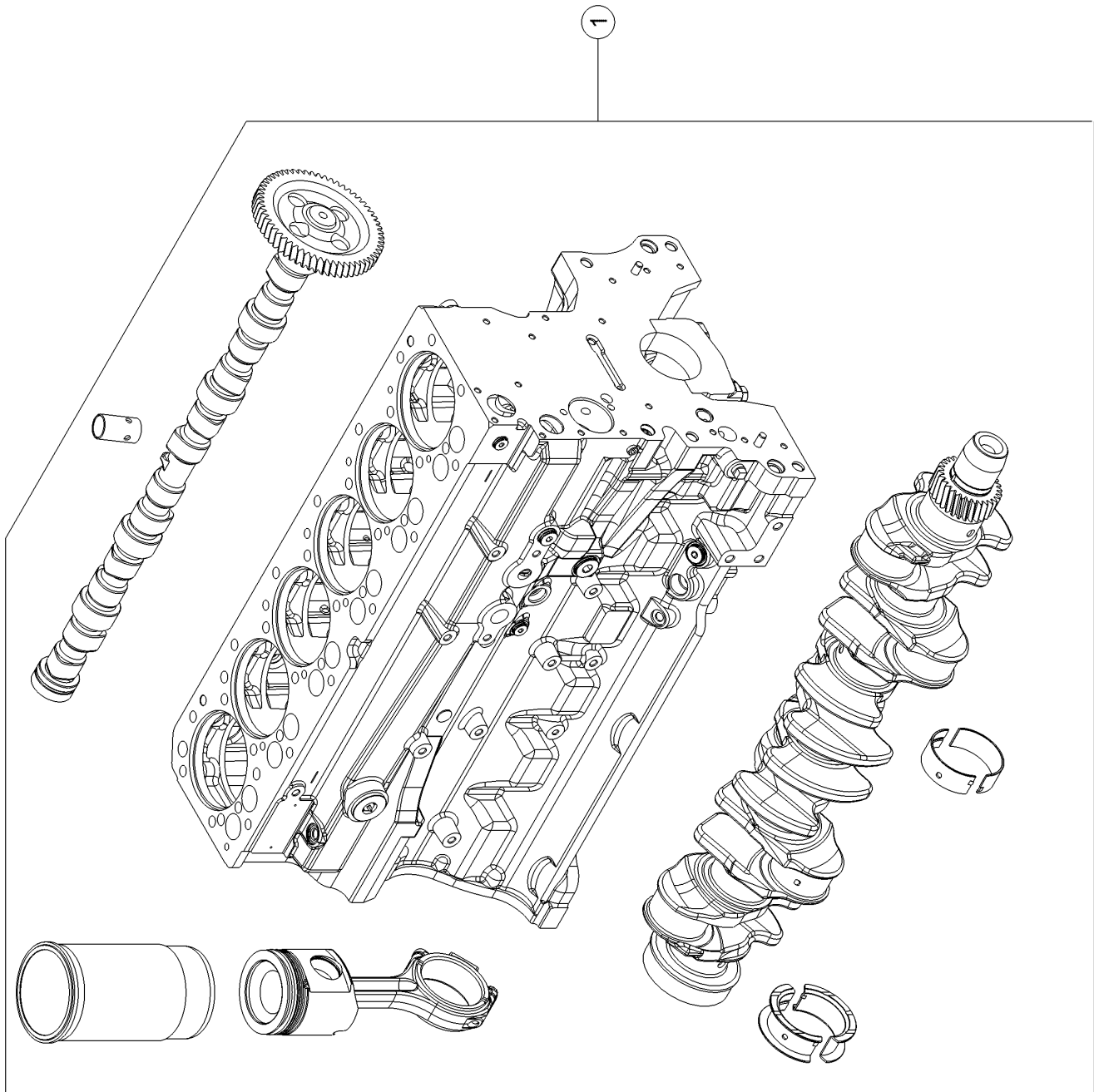
100 CRANKCASE

Pos.	Part No.	Description	Dimension	Quantity	Conditions
1	60 0501 317 4	CENTRING PIN		2	
2	00 1146 439 0	PLUG		1	
3	00 1146 440 0	O-RING		1	
4	00 1145 880 0	PLUG		1	
5	60 0502 164 1	O-RING		1	
6	00 1145 876 0	PLUG		1	
7	60 0502 160 8	O-RING	15,3X2,2-N	1	
8	00 1146 443 0	SCREW		14	
9	60 0501 319 6	CENTRING PIN		2	
10	00 1165 185 0	SMOOTH RING		1	
11	60 0501 402 9	VALVE		1	
12	00 1145 875 0	VALVE		1	
13	60 0501 320 1	SPRING		1	
14	60 0501 294 1	BEARING		1	
15	60 0501 319 8	BLANKING COVER		1	
16	00 1146 442 0	PLUG		1	
17	60 0502 143 9	BLANKING COVER		1	
18	00 1166 832 0	BLANKING COVER		1	



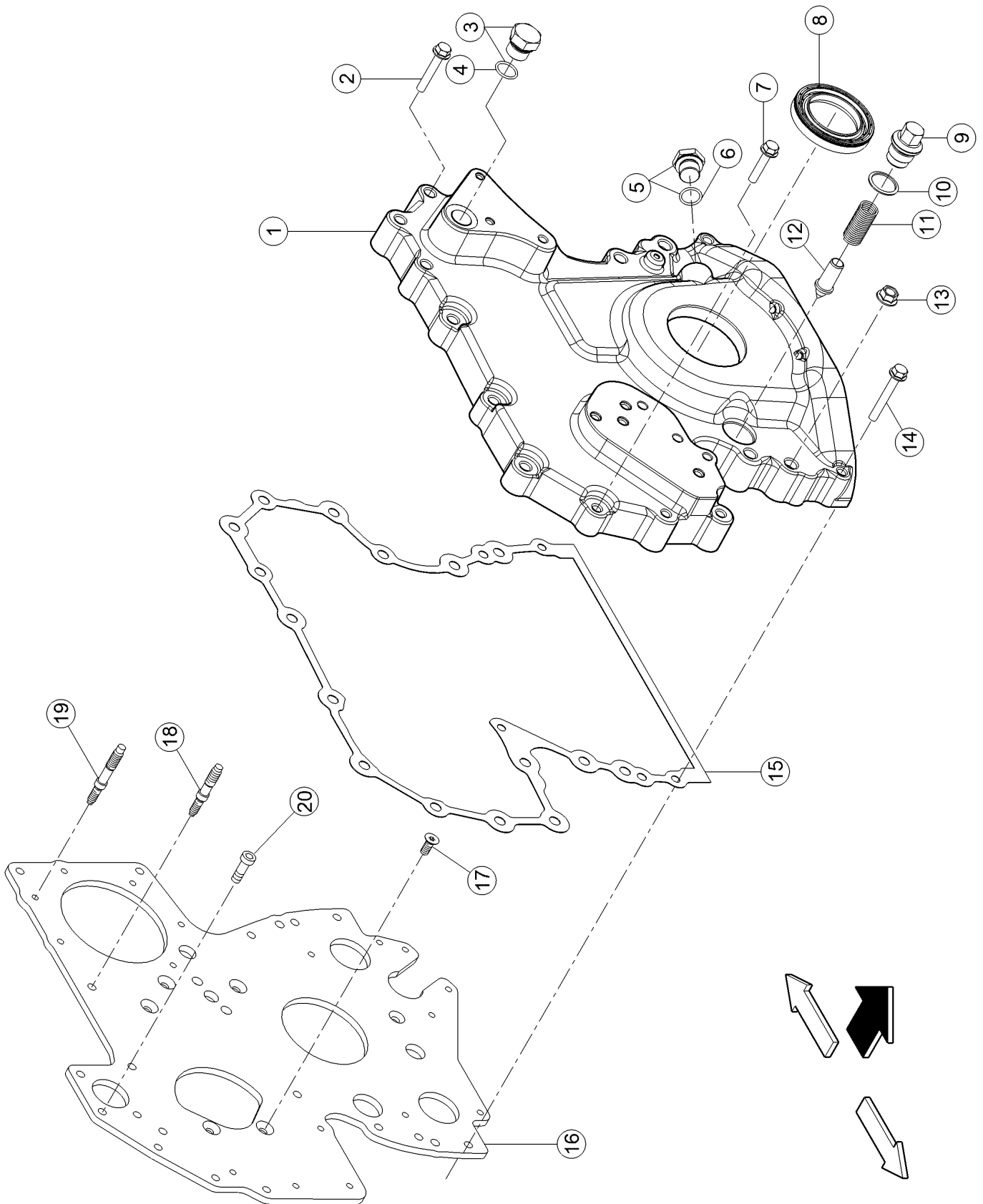
100 CRANKCASE

Pos.	Part No.	Description	Dimension	Quantity	Conditions
1	00 1145 880 0	PLUG		3	
2	60 0502 164 1	O-RING		3	
3	00 1145 876 0	PLUG		2	
4	60 0502 160 8	O-RING	15,3X2,2-N	2	
5	60 0501 320 8	LOCK		1	
6	60 0501 597 1	LOCK		1	
7	00 1146 439 0	PLUG		1	
8	00 1146 440 0	O-RING		1	
9	00 1146 580 0	PLUG		1	
10	60 0502 662 4	PLUG		1	
11	60 0502 905 2	PLUG		1	
12	60 0501 938 3	O-RING		1	
13	60 0501 317 4	CENTRING PIN		2	
14	60 0501 319 8	BLANKING COVER		1	



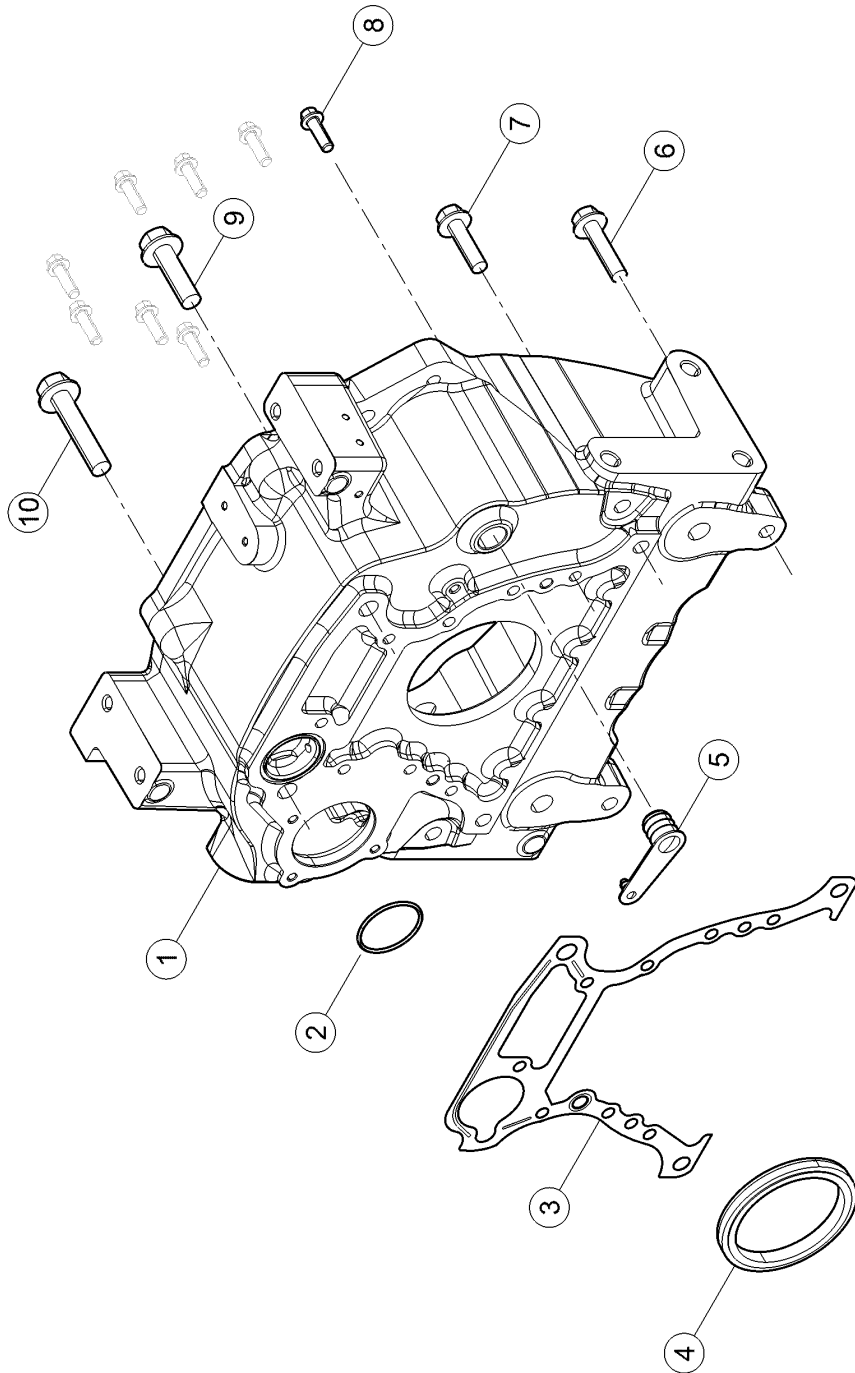
100 CRANKCASE

Pos.	Part No.	Description	Dimension	Quantity	Conditions
1	00 1171 785 0	SHORT BLOCK		1	



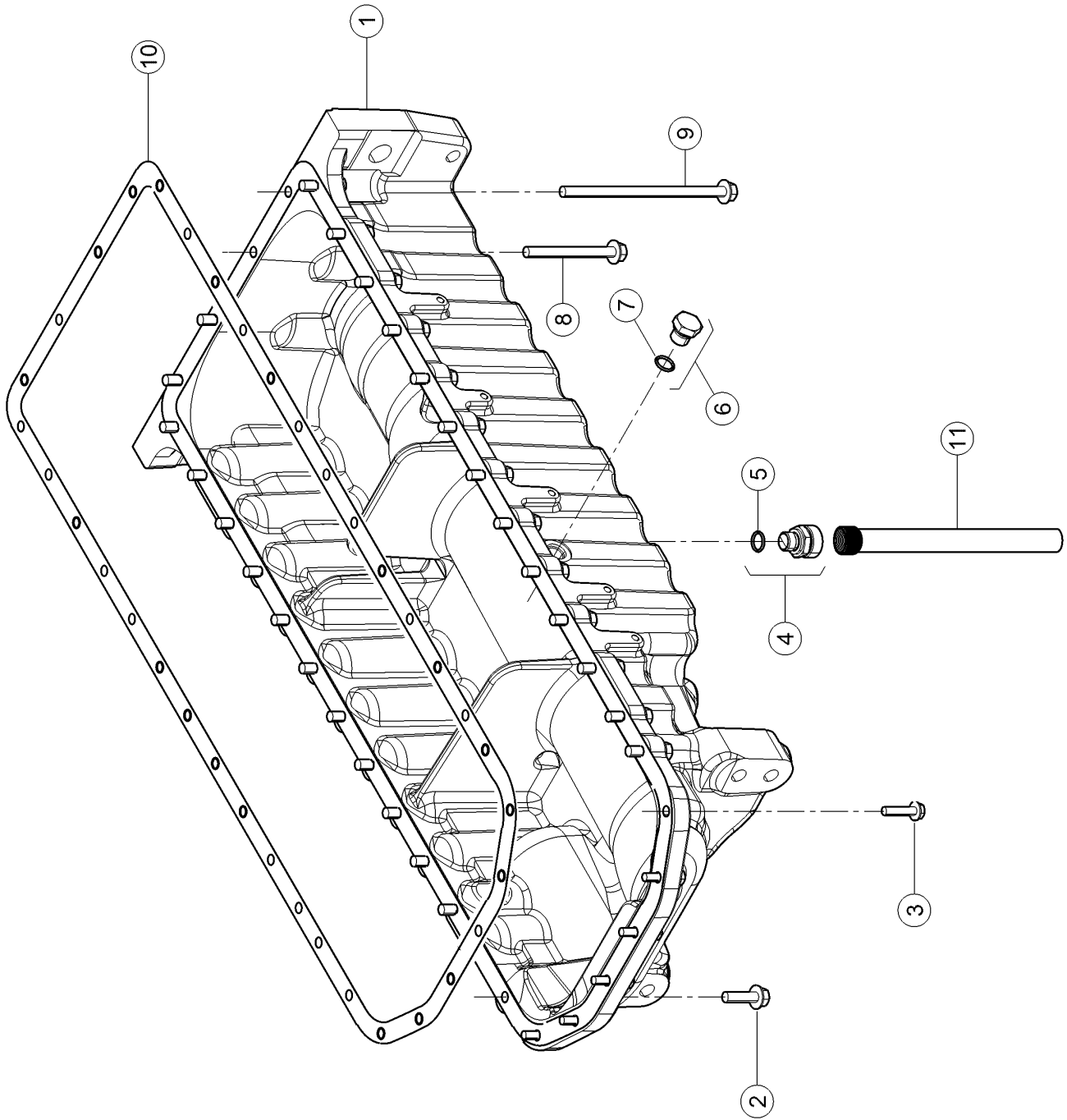
120 TIMING CASE

Pos.	Part No.	Description	Dimension	Quantity	Conditions
1	00 1160 738 0	HOUSING		1	
2	60 0502 593 6	SCREW	M8X50	3	
3	60 0502 160 3	LOCK	M22X1,5	1	
4	60 0502 160 4	O-RING	19X2.4	1	
5	60 0502 895 5	SCREW PLUG	F-M20X1,5	1	
6	60 0501 365 5	O-RING	17,3X2,2	1	
7	60 0502 144 5	SCREW	M8X45	1	
8	00 1145 806 0	SEALING RING		1	
9	00 1165 194 0	PLUG		1	
10	60 0501 277 2	WASHER		1	
11	00 1165 195 0	SPRING		1	
12	00 1165 196 0	HYDRAULIC VALVE		1	
13	60 0502 144 9	NUT		8	
14	60 0502 145 0	SCREW	M08X60	3	
15	00 1160 737 0	FLAT SEAL		1	
16	00 1171 390 0	PANEL		1	
17	60 0502 339 7	SCREW		5	
18	60 0502 339 8	STUD BOLT		3	
19	00 1132 473 0	STUD BOLT		5	
20	00 0244 359 0	SOCKET HEAD SCREW	M 8 X 20	1	



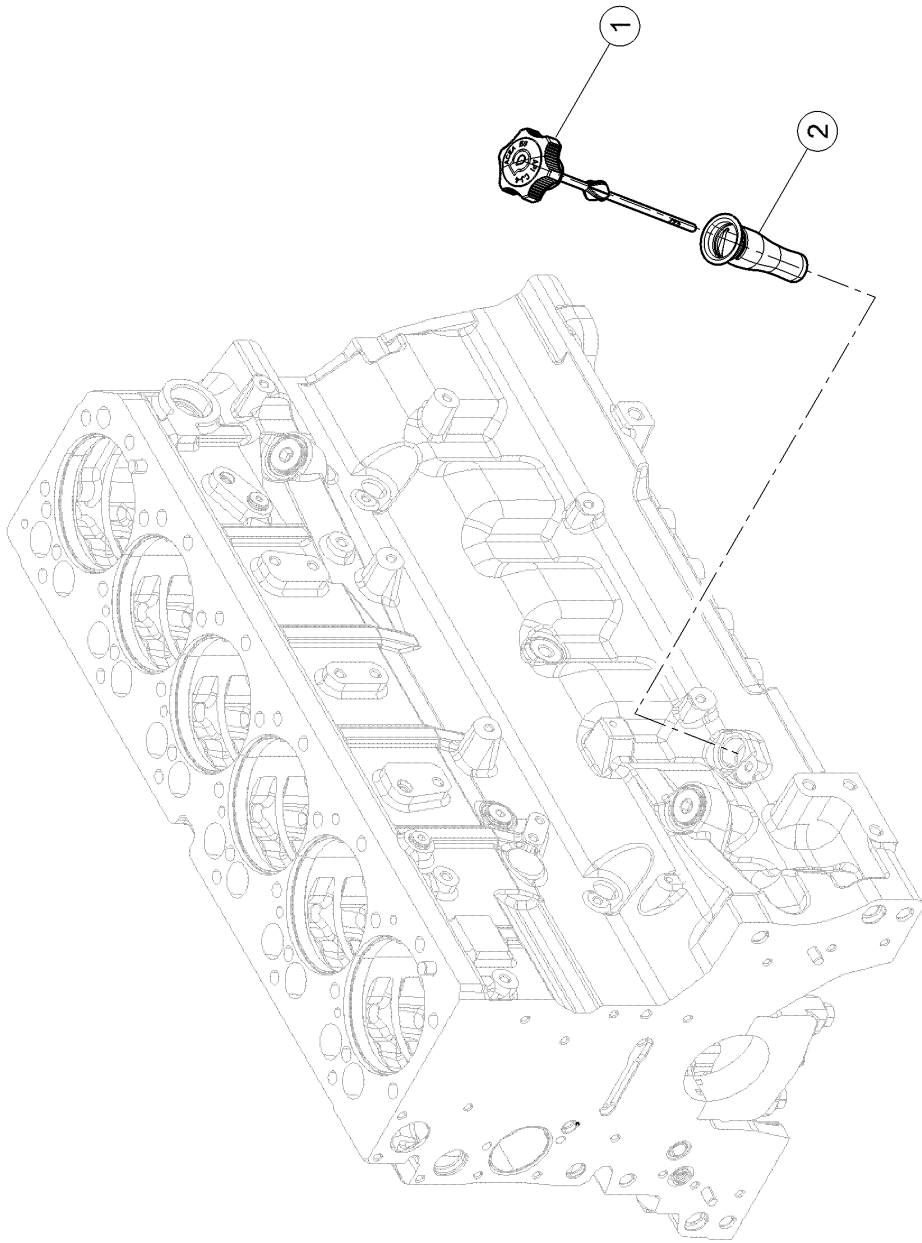
140 FLYWHEEL HOUSING

Pos.	Part No.	Description	Dimension	Quantity	Conditions
1	00 1161 402 0	CASING		1	
2	60 0501 604 9	O-RING		1	
3	77 0005 577 1	GASKET		1	
4	00 1169 730 0	LIP SEAL		1	
5	60 0501 611 6	BLANKING COVER		1	
6	60 0502 777 3	SCREW	M16X60	2	
7	60 0502 777 3	SCREW	M16X60	2	
8	60 0502 625 8	SCREW	12 X 1,75 -37 - M12X40	8	
9	00 1132 476 0	SCREW		1	
10	00 1132 477 0	SCREW	M20X100	1	



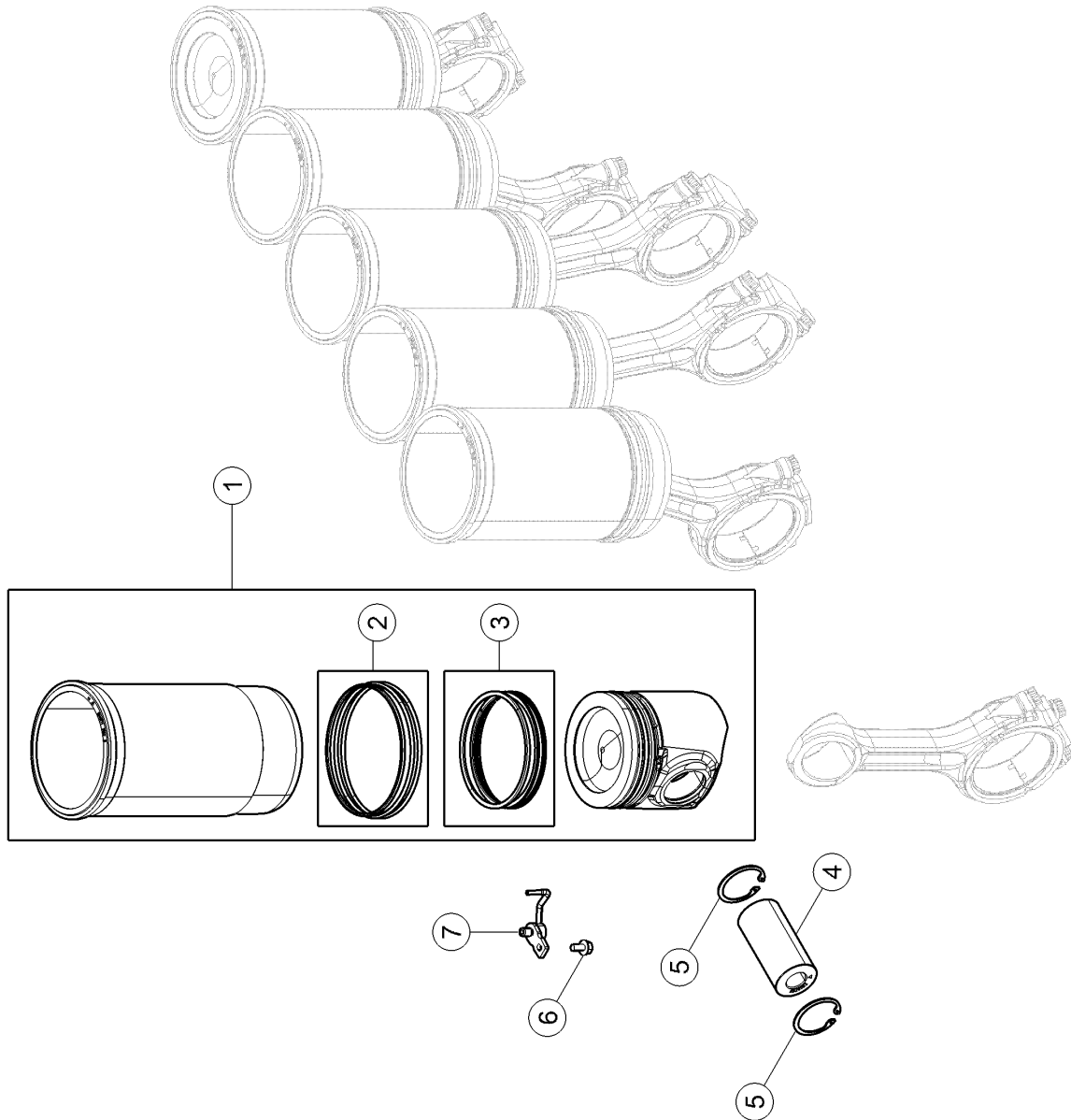
160 OIL PAN

Pos.	Part No.	Description	Dimension	Quantity	Conditions
1	00 1170 038 0	OIL SUMP		1	
2	60 0502 165 4	SCREW	M10X35	26	
3	00 1161 525 0	STD SCREW		6	
4	00 1161 404 0	PLUG		2	
5	60 0502 160 8	O-RING	15,3X2,2-N	2	
6	60 0502 160 7	PLUG	F-M18X1,5 ERS.D.7700054	1	
7	60 0502 160 8	O-RING	15,3X2,2-N	1	
8	60 0502 625 3	SCREW	M10X100	2	
9	00 1169 743 0	STD SCREW		2	
10	60 0502 666 6	GASKET		1	
11	00 2611 791 0	RUBBER PIPE		1	



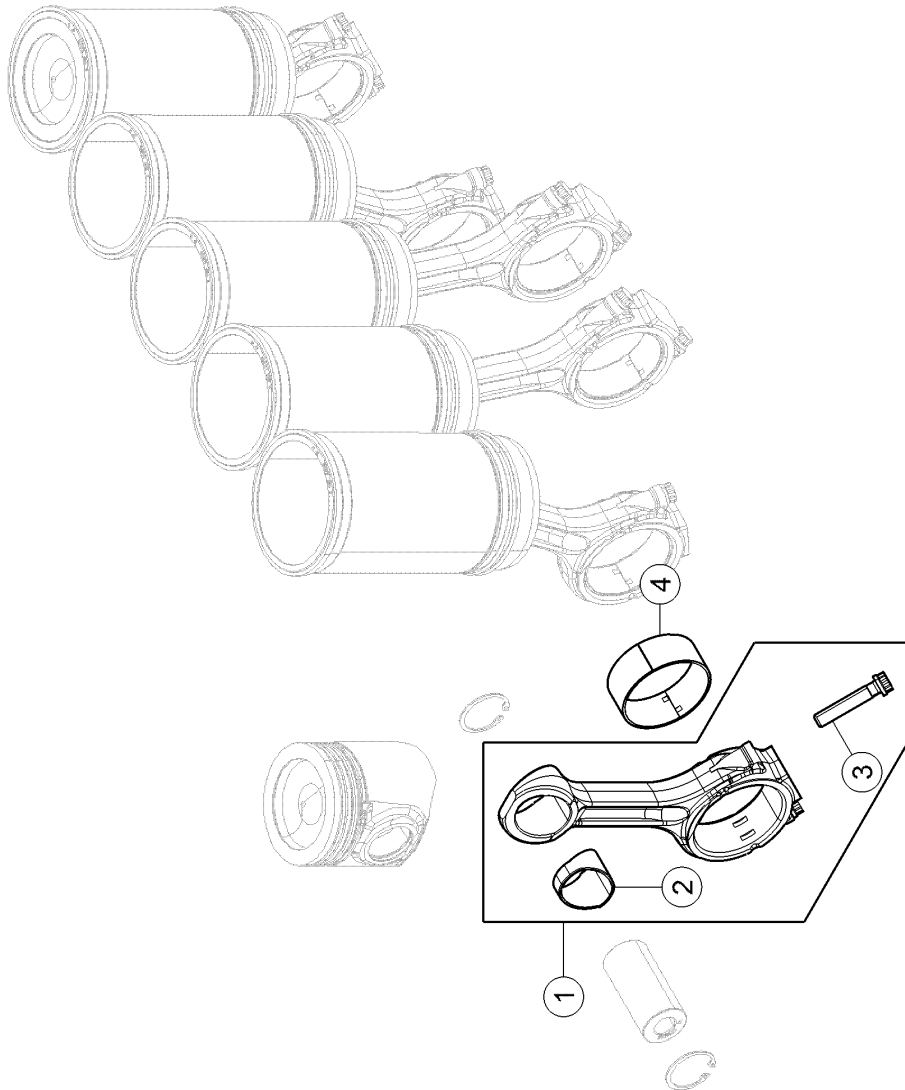
160 OIL PAN

Pos.	Part No.	Description	Dimension	Quantity	Conditions
1	00 1145 355 0	GAUGE		1	
2	00 1146 111 0	TUBE		1	



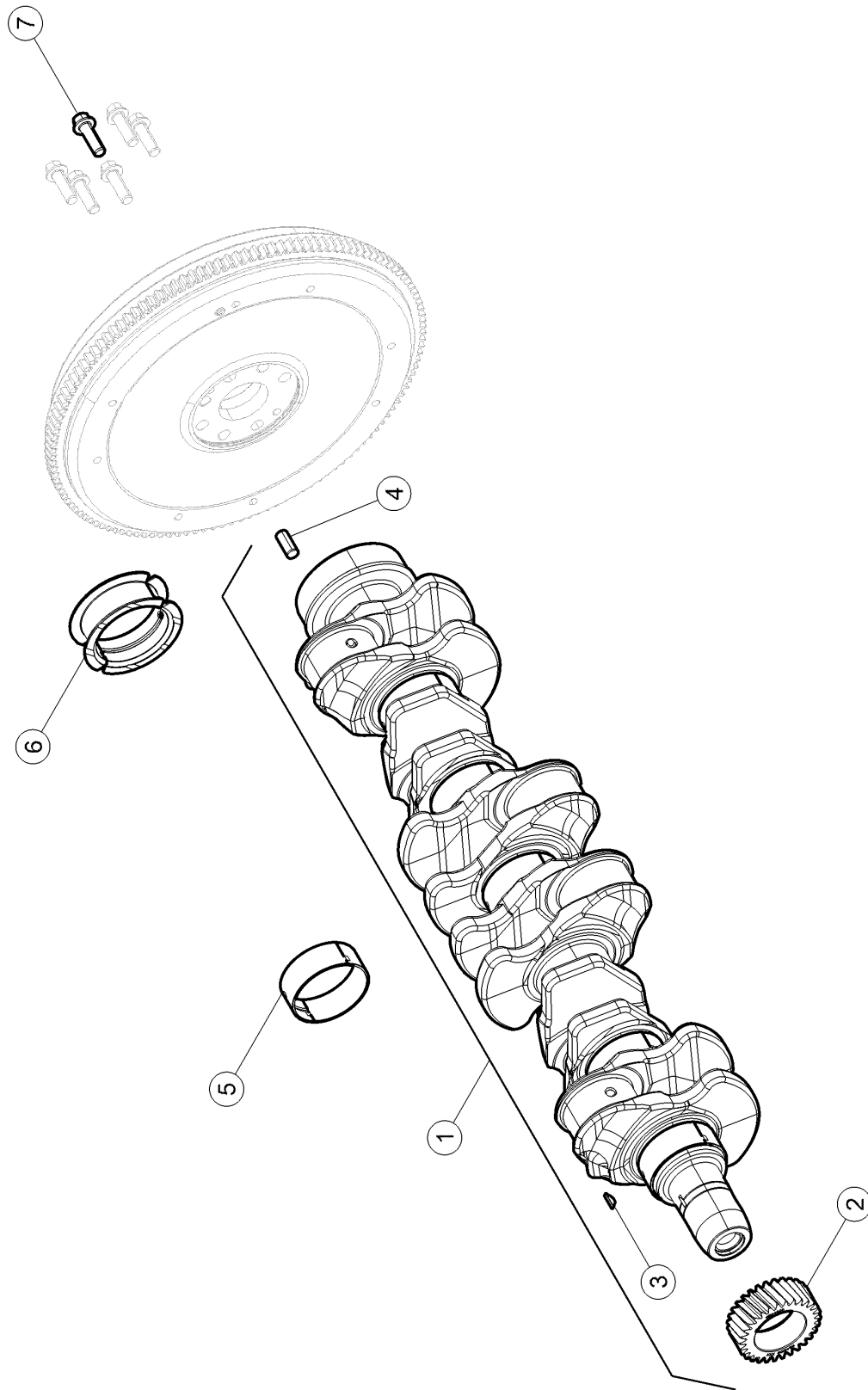
100 CYLINDER LINER, PISTON

Pos.	Part No.	Description	Dimension	Quantity	Conditions
1	00 1166 971 0	PISTON-LINER		6	
2	00 1146 460 0	SEALING RING SET		6	
3	00 1145 886 0	SET OF PISTON RINGS		6	
4	00 1167 613 0	SHAFT		6	
5	60 0501 281 4	INNER CIRCLIP		12	
6	00 1145 889 0	SCREW		6	
7	00 1161 528 0	NOZZLE		6	



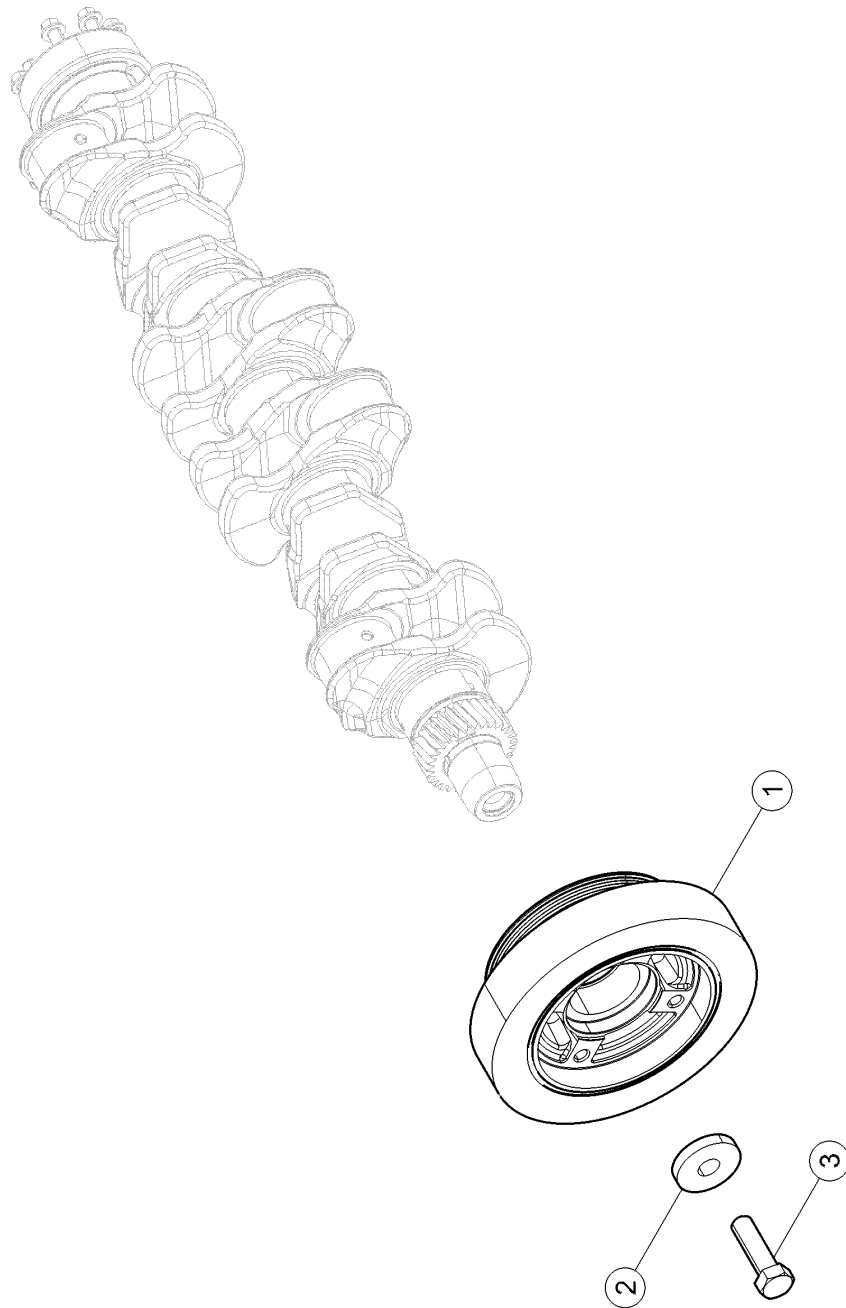
120 CONNECTING ROD, CONNECTING ROD BEARINGS

Pos.	Part No.	Description	Dimension	Quantity	Conditions
1	60 0502 453 6	CONNECTING ROD		6	
2	60 0502 147 6	RING		6	
3	60 0502 453 7	SCREW	12 PTS M12 X 1,25 - 61	12	
4	00 1146 461 0	BEARING BUSH		6	



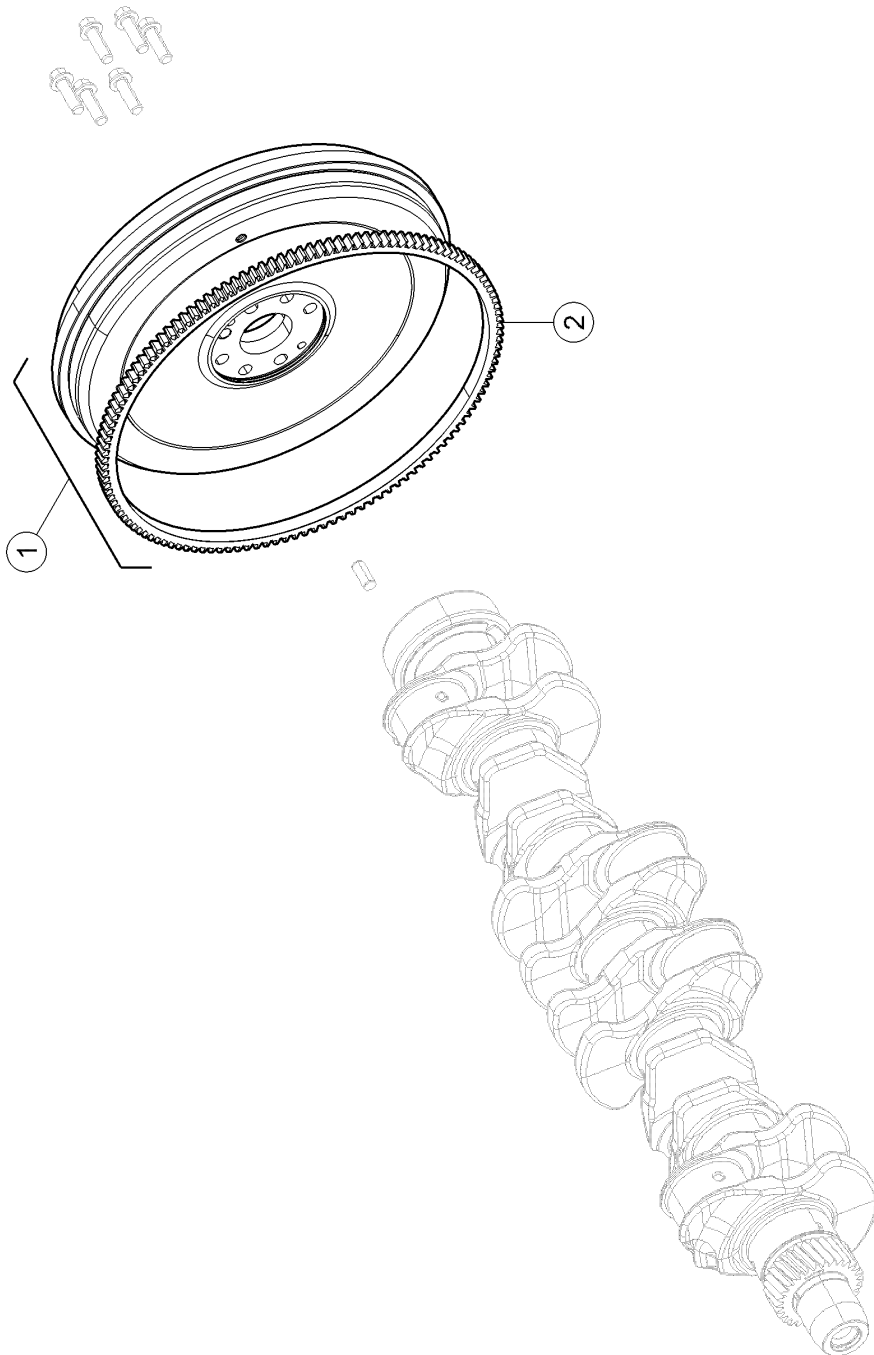
140 CRANKSHAFT

Pos.	Part No.	Description	Dimension	Quantity	Conditions
1	00 1161 529 0	CRANKSHAFT		1	
2	00 1161 535 0	GEAR		1	
3	60 0502 869 7	KEY		1	
4	60 0501 317 4	CENTRING PIN		1	
5	60 0502 148 3	BEARING		6	1)
5	60 0502 148 4	BEARING		6	2)
6	60 0502 148 1	BEARING		1	1)
6	60 0502 148 2	BEARING		1	2)
7	60 0502 625 8	SCREW	12 X 1,75 -37 - M12X40	6	
1)	Remarks	Standard			
2)	Remarks	-0.254MM			



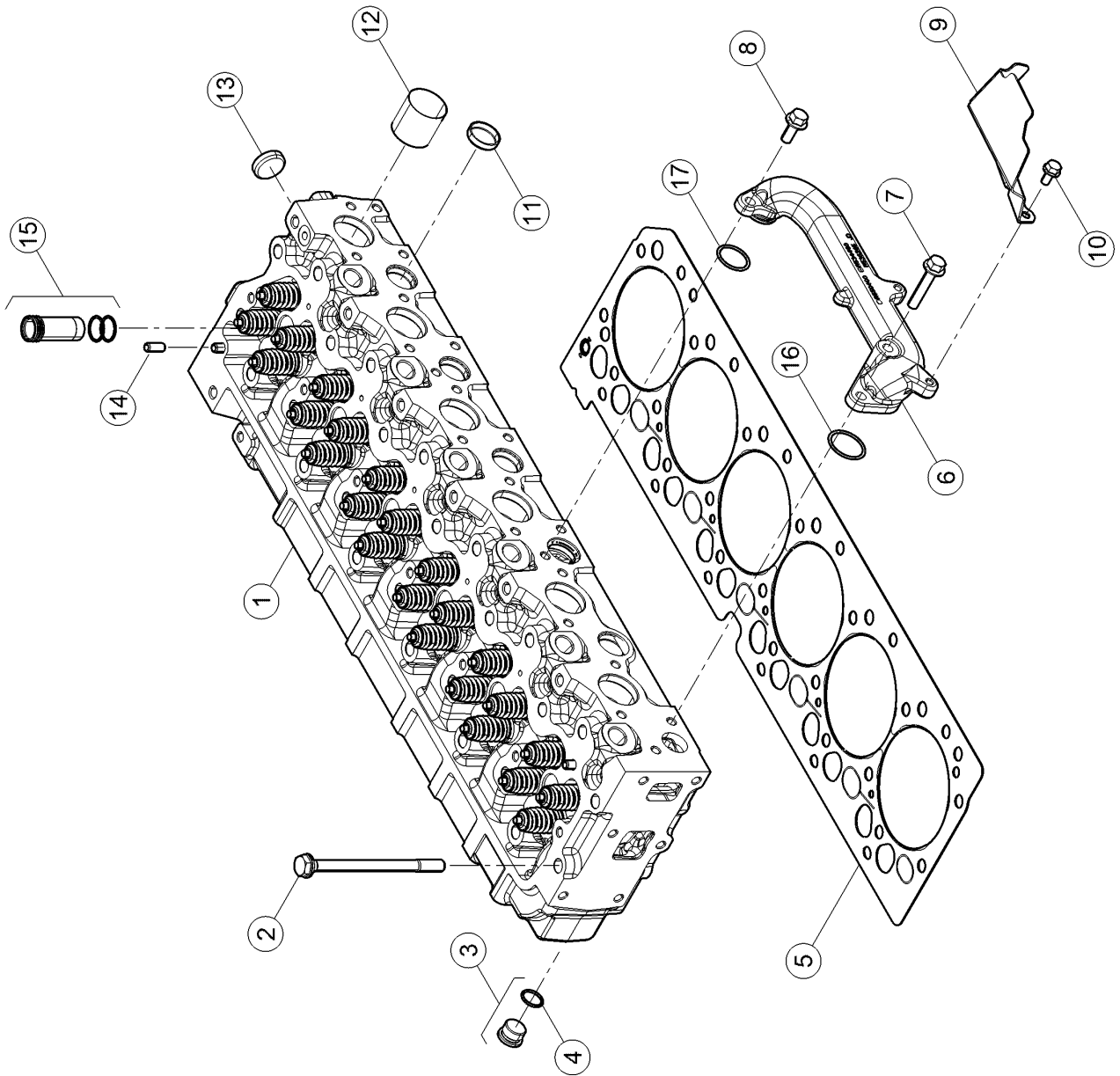
160 CRANKSHAFT PULLEY WHEEL

Pos.	Part No.	Description	Dimension	Quantity	Conditions
1	00 1137 796 0	PULLEY		1	
2	60 0503 045 1	SPACER		1	
3	60 0502 866 8	SCREW	M20X70	1	



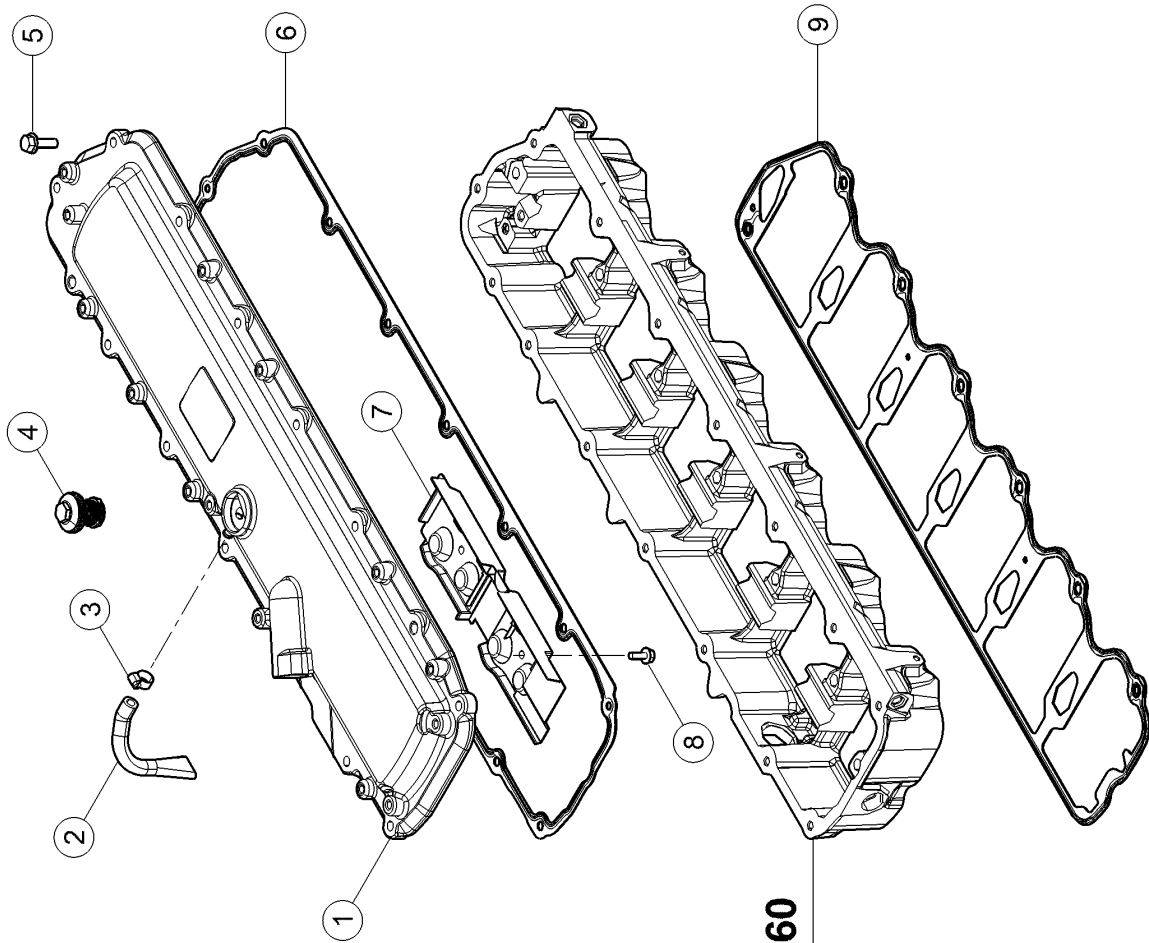
220 FLYWHEEL

Pos.	Part No.	Description	Dimension	Quantity	Conditions
1	00 1161 407 0	FLYWHEEL		1	
2	77 0004 531 5	TOOTHED RIM		1	



100 CYLINDER HEAD

Pos.	Part No.	Description	Dimension	Quantity	Conditions
1	00 1166 503 0	CYLINDER HEAD		1	
2	00 1161 409 0	SCREW		26	
3	00 1145 914 0	BLANKING COVER		1	
4	60 0502 160 4	O-RING	19X2.4	1	
5	00 1145 799 0	CYLINDER HEAD GASKET		1	
6	00 1148 650 0	MANIFOLD		1	
7	00 1146 950 0	SCREW	M10X55	1	
8	77 0005 997 7	HEXAGON HEAD BOLT	M10X25	2	
9	00 1161 532 0	GUARD		1	
10	60 0502 154 7	SCREW	M8X16	2	
11	60 0501 288 3	LOCK		4	
12	00 1145 915 0	SLEEVE		6	
13	60 0501 288 3	LOCK		1	
14	00 1145 916 0	RING		2	
15	00 1142 367 0	LINER		6	
16	00 1148 651 0	O-RING		1	
17	00 1148 649 0	O-RING		1	



👁 ...01 20 160

120 CYLINDER HEAD COVER

Pos.	Part No.	Description	Dimension	Quantity	Conditions
1	00 1151 053 0	ROCKER COVER		1	
2	00 1159 413 0	PIPE		1	
3	00 2610 961 0	CLAMP	7700043487(16-27)	1	
4	00 1145 919 0	PLUG		1	
5	60 0502 145 6	SCREW	M8X25	15	
6	00 1146 478 0	GASKET		1	
7	00 1151 054 0	DEFLECTOR		1	
8	60 0502 144 8	SCREW	M6X16	2	
9	00 1146 503 0	SEALING RING		1	



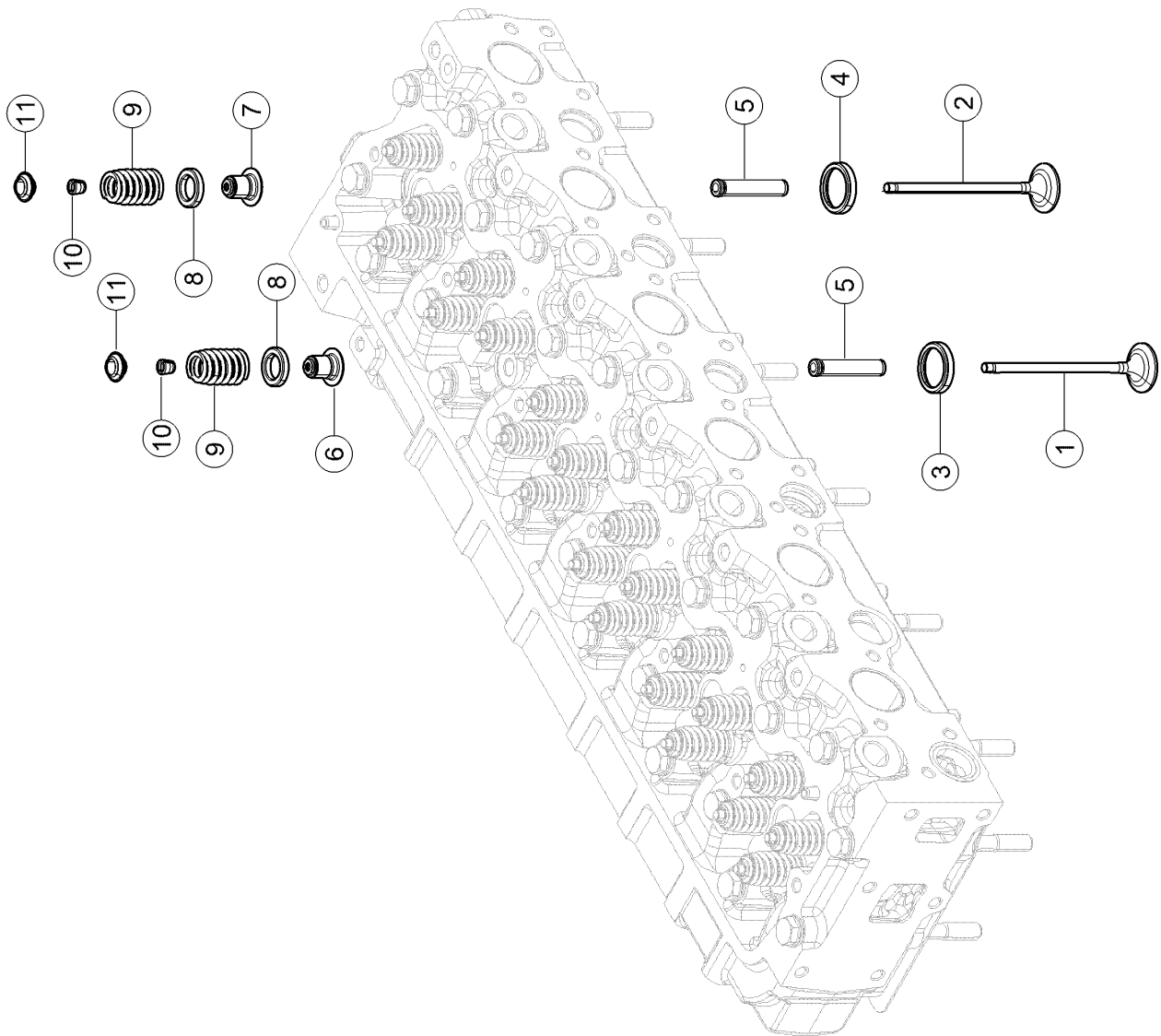
Suggest:

For more complete manuals. Please go to the home page.

<https://www.ebooklibonline.com>

If the above button click is invalid. Please download this document first, and then click the above link to download the complete manual.

Thank you so much for reading



140 VALVES

Pos.	Part No.	Description	Dimension	Quantity	Conditions
1	00 1161 542 0	ENGINE VALVE		12	1)
2	00 1161 543 0	ENGINE VALVE		12	2)
3	00 1132 514 0	VALVE SEAT		12	1)
4	00 1132 513 0	VALVE SEAT		12	2)
5	00 1152 441 0	GUIDE		24	
6	00 1169 342 0	LIP SEAL		12	1)
7	00 1169 343 0	LIP SEAL		12	2)
8	00 1161 545 0	BOWL		24	
9	00 1161 410 0	SPRING		24	
10	00 1148 631 0	HALF-CONE		48	
11	00 1132 518 0	WASHER		24	
1)	Remarks		Adm.		
2)	Remarks		Echapt		

<https://www.ebooklibonline.com>

Hello dear friend!

Thank you very much for reading.

Enter the link into your browser.

The full manual is available for immediate download.

<https://www.ebooklibonline.com>