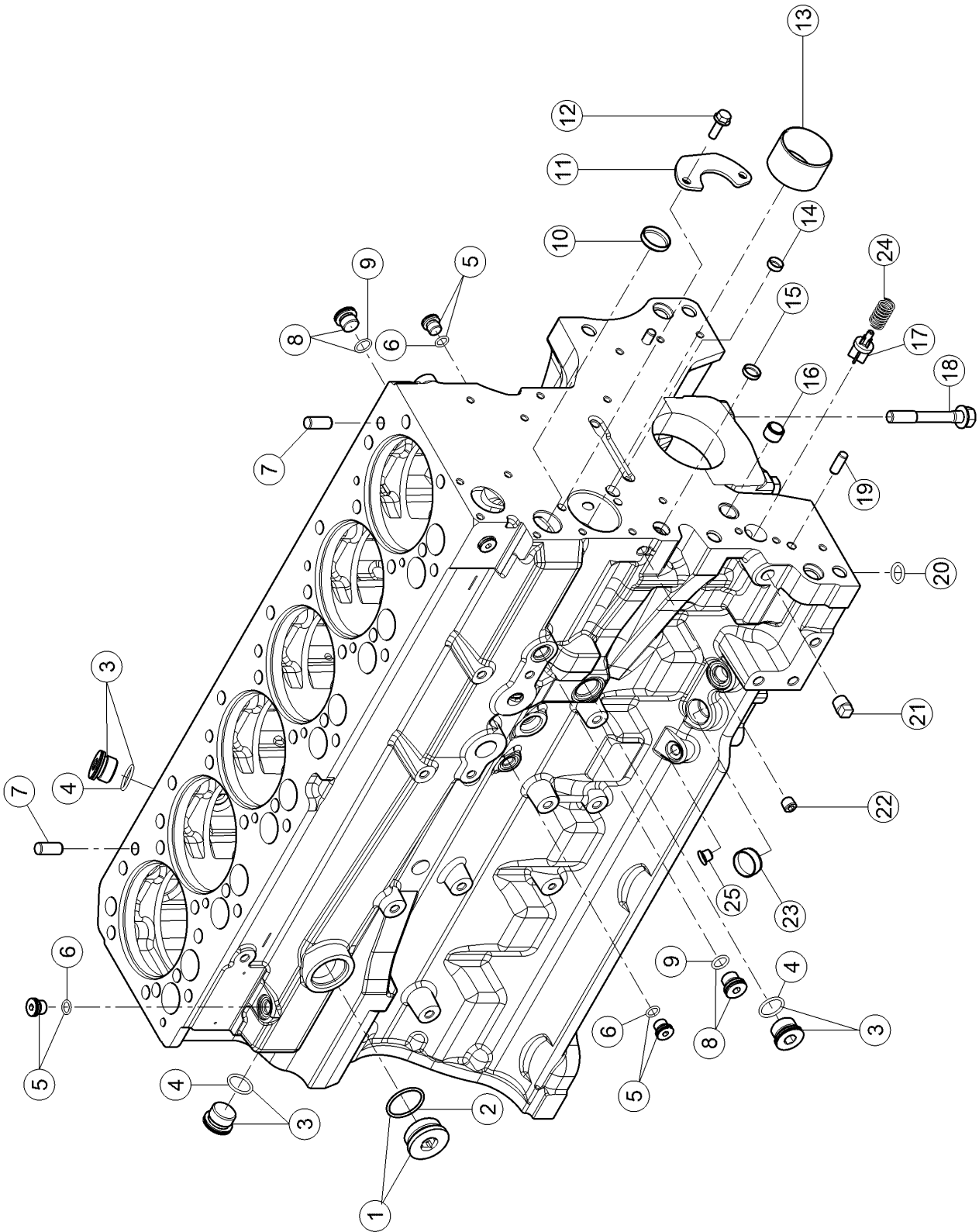


010 COMPLETE ENGINE

Pos.	Part No.	Description	Dimension	Quantity	Conditions
1	00 2182 020 0	ENGINE		1	1)
1	00 2182 028 0	ENGINE		1	2)
1	00 2182 030 0	ENGINE		1	3)
1	00 2182 032 0	ENGINE		1	4)
1)	Equipment				
	Remarks	TD_P02_0040 TD_P02_0045	150 hp rated output, 158 hp max. output, ECE R 120 150 hp rated output, 158 hp max. output, ECE R 120 125 - 150 Ch		
2)	Equipment				
	Remarks	TD_P02_0050	159 hp rated output, 165 hp max. output, ECE R 120 135 - 160 Ch		
3)	Equipment				
	Remarks	TD_P02_0060	169 hp rated output, 177 hp max. output, ECE R 120 145 - 170 Ch		
4)	Equipment				
	Remarks	TD_P02_0070	175 hp rated output, 184 hp max. output, ECE R 120 155 - 182 Ch		



<https://www.ebooklibonline.com>

Hello dear friend!

Thank you very much for reading.

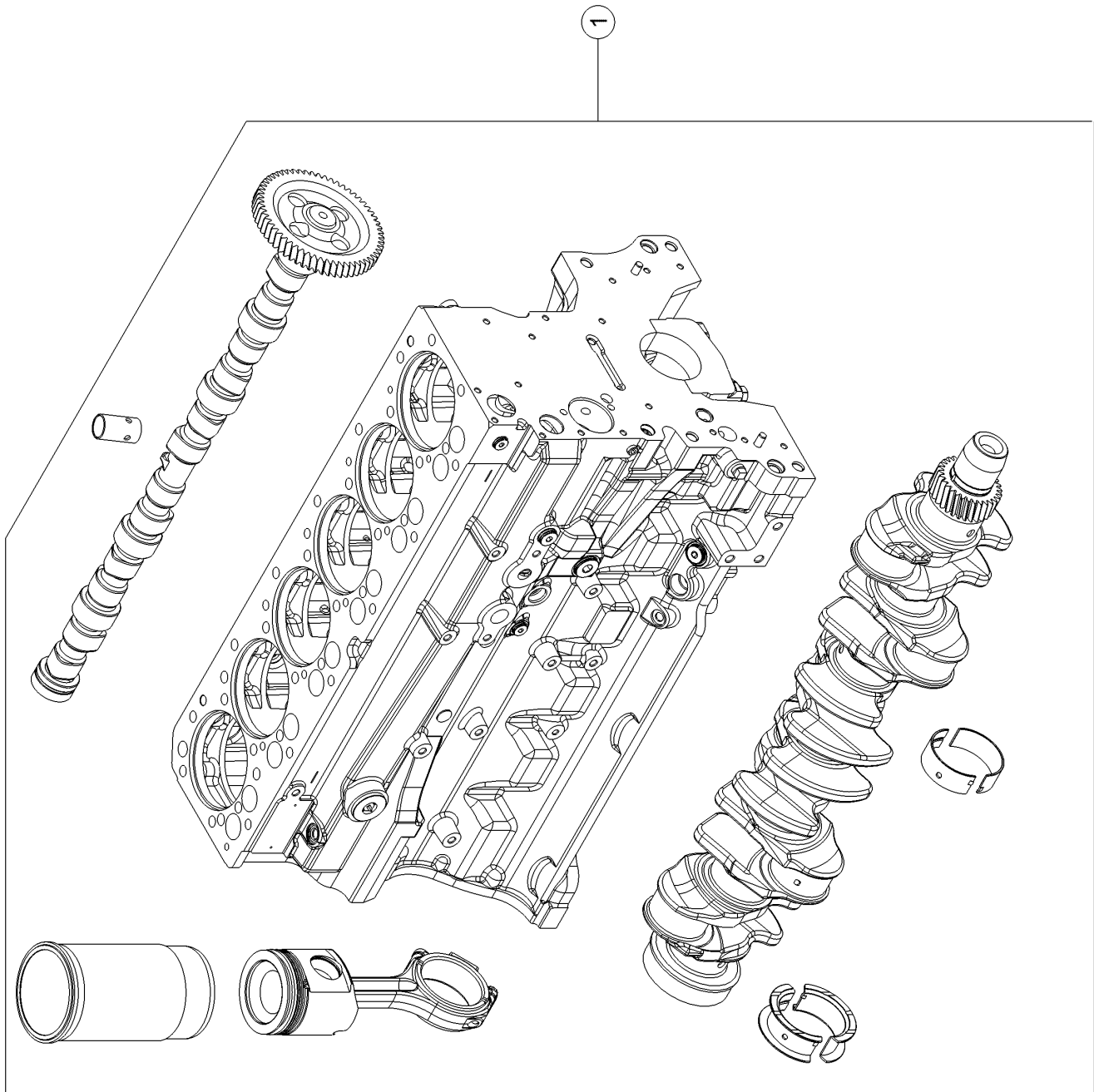
Enter the link into your browser.

The full manual is available for immediate download.

<https://www.ebooklibonline.com>

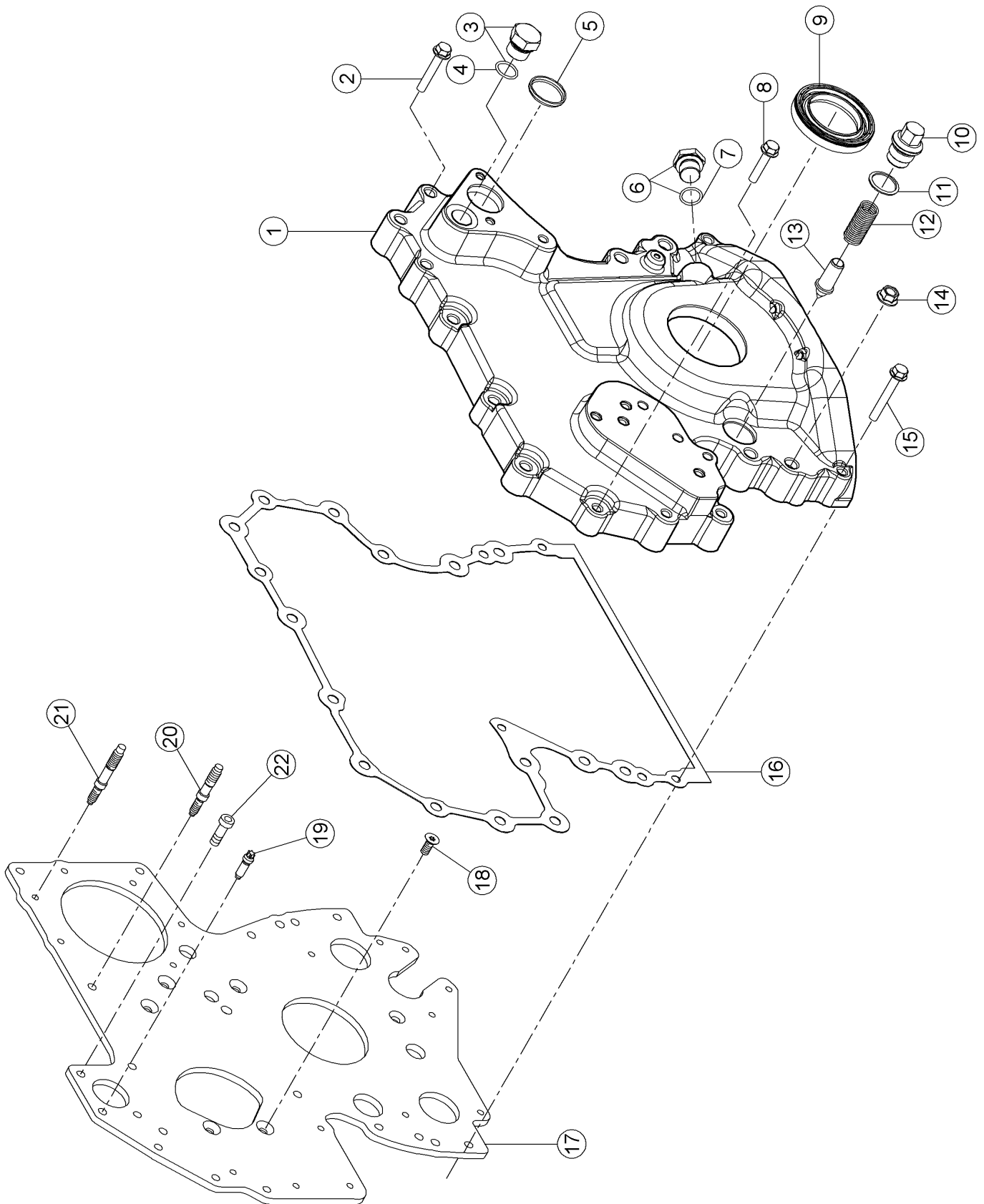
100 CRANKCASE

Pos.	Part No.	Description	Dimension	Quantity	Conditions
1	60 0502 905 2	PLUG		1	
2	60 0501 321 5	O-RING		1	
3	00 1146 439 0	PLUG		4	
4	00 1146 440 0	O-RING		4	
5	00 1145 880 0	PLUG		6	
6	60 0502 164 1	O-RING		6	
7	60 0501 317 4	CENTRING PIN		4	
8	00 1145 876 0	PLUG		2	
9	60 0502 160 8	O-RING	15,3X2,2-N	2	
10	60 0502 143 9	BLANKING COVER		1	
11	60 0502 151 1	PLATE		1	
12	60 0502 145 6	SCREW	M8X25	1	
13	60 0501 294 1	BEARING		1	
14	60 0501 319 8	BLANKING COVER		1	
15	00 1146 442 0	PLUG		1	
16	60 0501 319 9	BUSHING		1	
17	00 1145 875 0	VALVE		1	
18	00 1146 443 0	SCREW		14	
19	60 0501 319 6	CENTRING PIN		2	
20	60 0501 320 3	O-RING		1	
21	60 0501 597 1	LOCK		1	
22	00 1146 444 0	PLUG		1	
23	00 1146 580 0	PLUG		1	
24	60 0501 320 1	SPRING		1	
25	60 0502 662 4	PLUG		1	



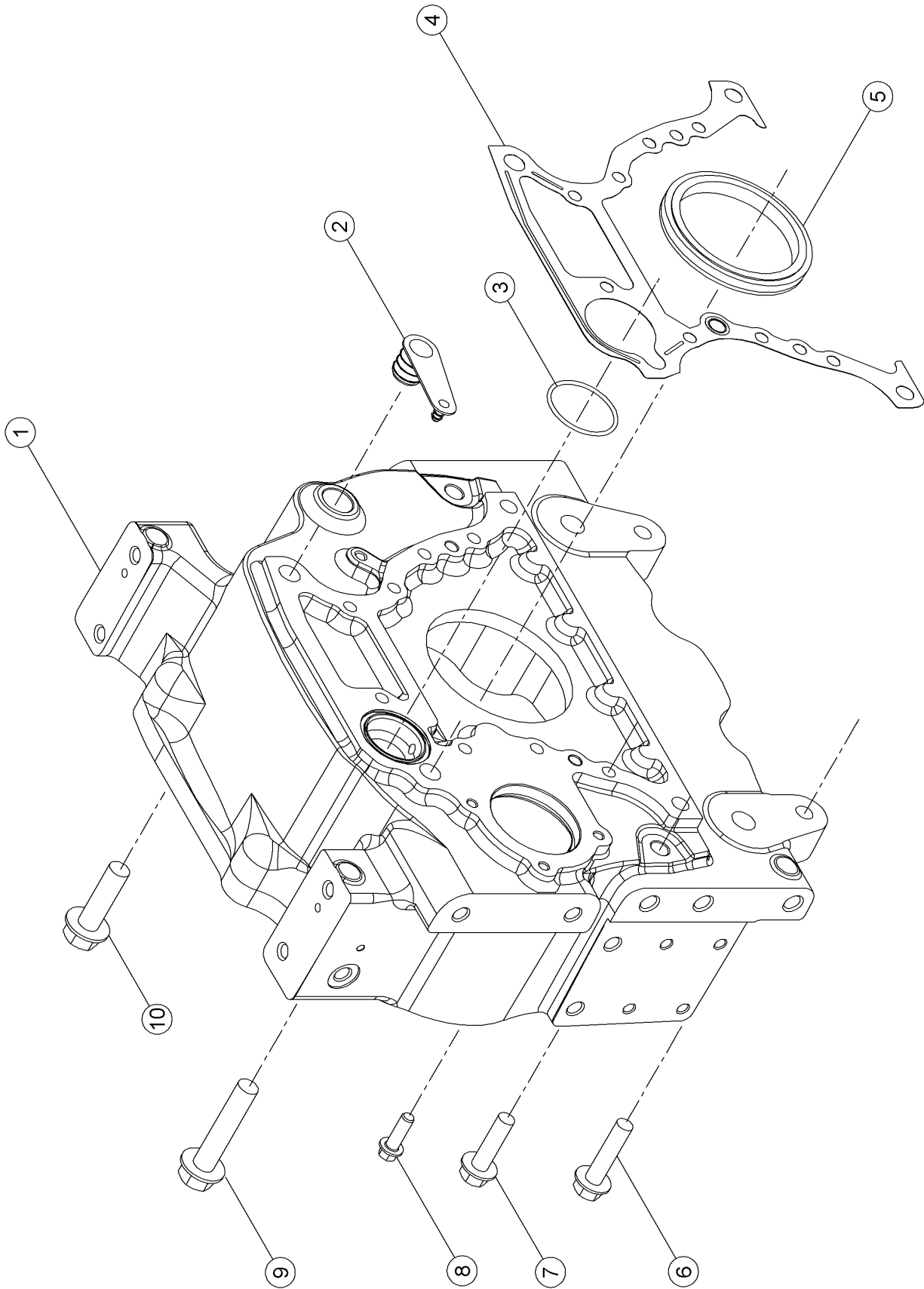
100 CRANKCASE

Pos.	Part No.	Description	Dimension	Quantity	Conditions
1	00 1168 871 0	SHORT BLOCK		1	



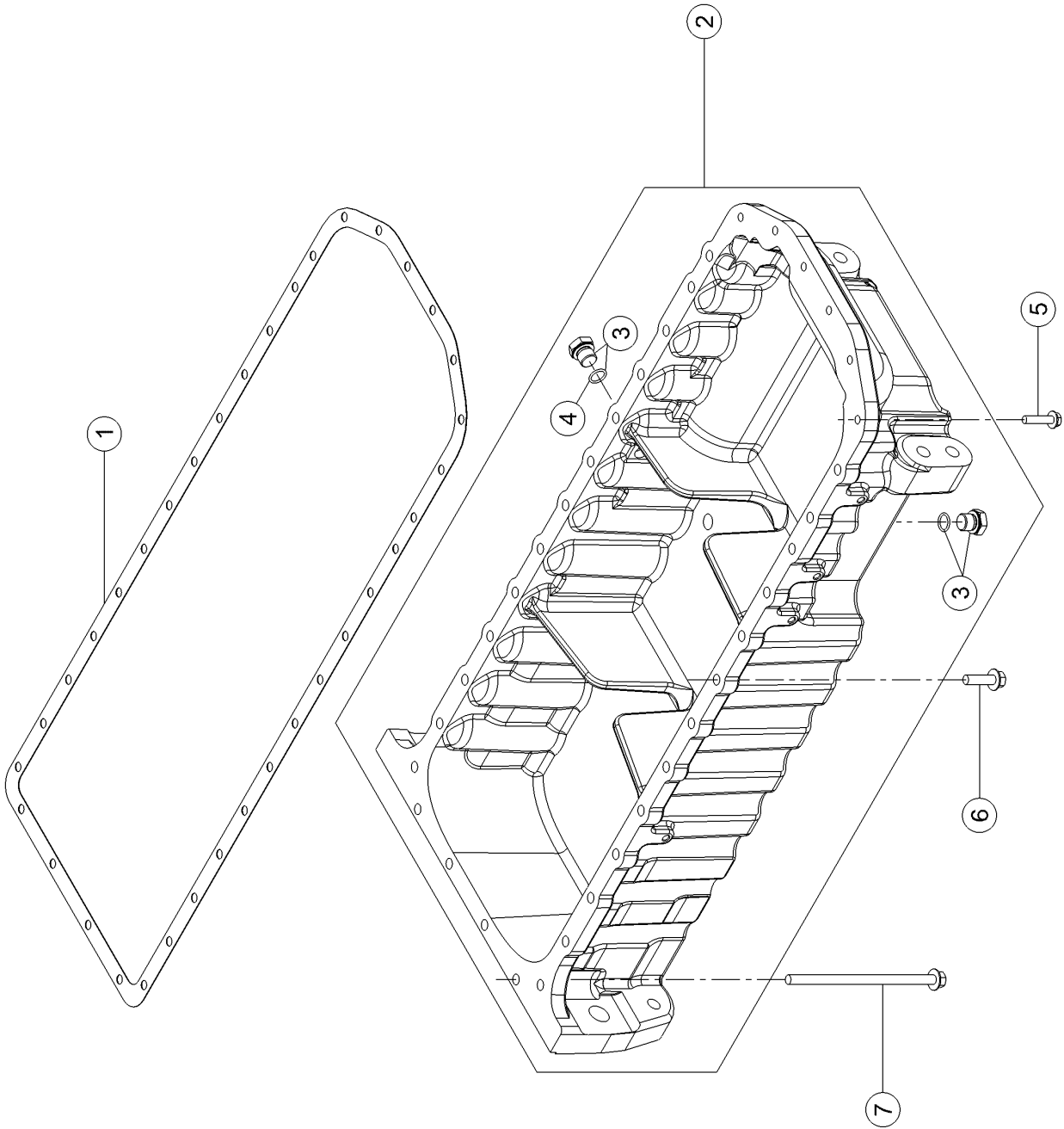
120 TIMING CASE

Pos.	Part No.	Description	Dimension	Quantity	Conditions
1	00 1160 738 0	HOUSING		1	
2	60 0502 593 6	SCREW	M8X50	6	
3	60 0502 160 3	LOCK	M22X1,5	1	
4	60 0502 160 4	O-RING	19X2.4	1	
5	00 1146 448 0	PLUG		1	
6	60 0502 895 5	SCREW PLUG	F-M20X1,5	1	
7	60 0501 365 5	O-RING	17,3X2,2	1	
8	60 0502 594 7	SCREW	M8X40	1	
9	00 1169 885 0	GASKET		1	
10	60 0501 277 1	SCREW		1	
11	60 0501 277 2	WASHER		1	
12	60 0501 277 4	SPRING		1	
13	00 1160 621 0	VALVE		1	
14	60 0502 144 9	NUT		1	
15	60 0502 145 0	SCREW	M08X60	3	
16	00 1160 737 0	FLAT SEAL		1	
17	00 1146 450 0	PLATE		1	
18	60 0502 339 7	SCREW		5	
19	00 1146 451 0	STUD BOLT		2	
20	60 0502 339 8	STUD BOLT		3	
21	00 1132 473 0	STUD BOLT		6	
22	60 0503 326 9	SCREW		1	



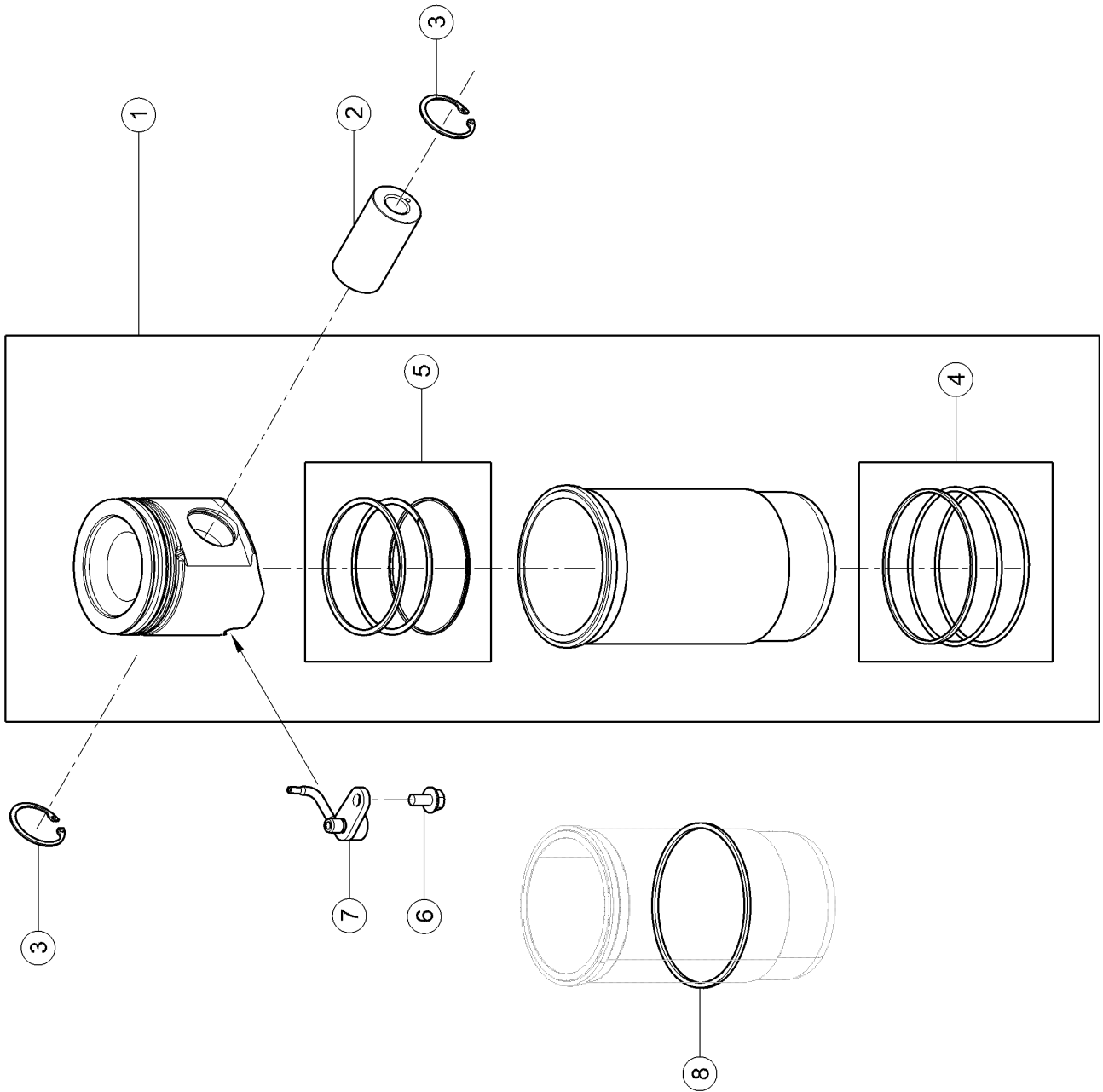
140 FLYWHEEL HOUSING

Pos.	Part No.	Description	Dimension	Quantity	Conditions
1	00 1145 878 0	CASING		1	
2	60 0501 611 6	BLANKING COVER		1	
3	60 0501 604 9	O-RING		1	
4	77 0005 577 1	GASKET		1	
5	00 1169 730 0	LIP SEAL		1	
6	60 0502 777 3	SCREW	M16X60	2	
7	60 0502 777 3	SCREW	M16X60	2	
8	60 0502 625 8	SCREW	12 X 1,75 -37 - M12X40	8	
9	00 1132 477 0	SCREW	M20X100	1	
10	00 1132 476 0	SCREW		1	



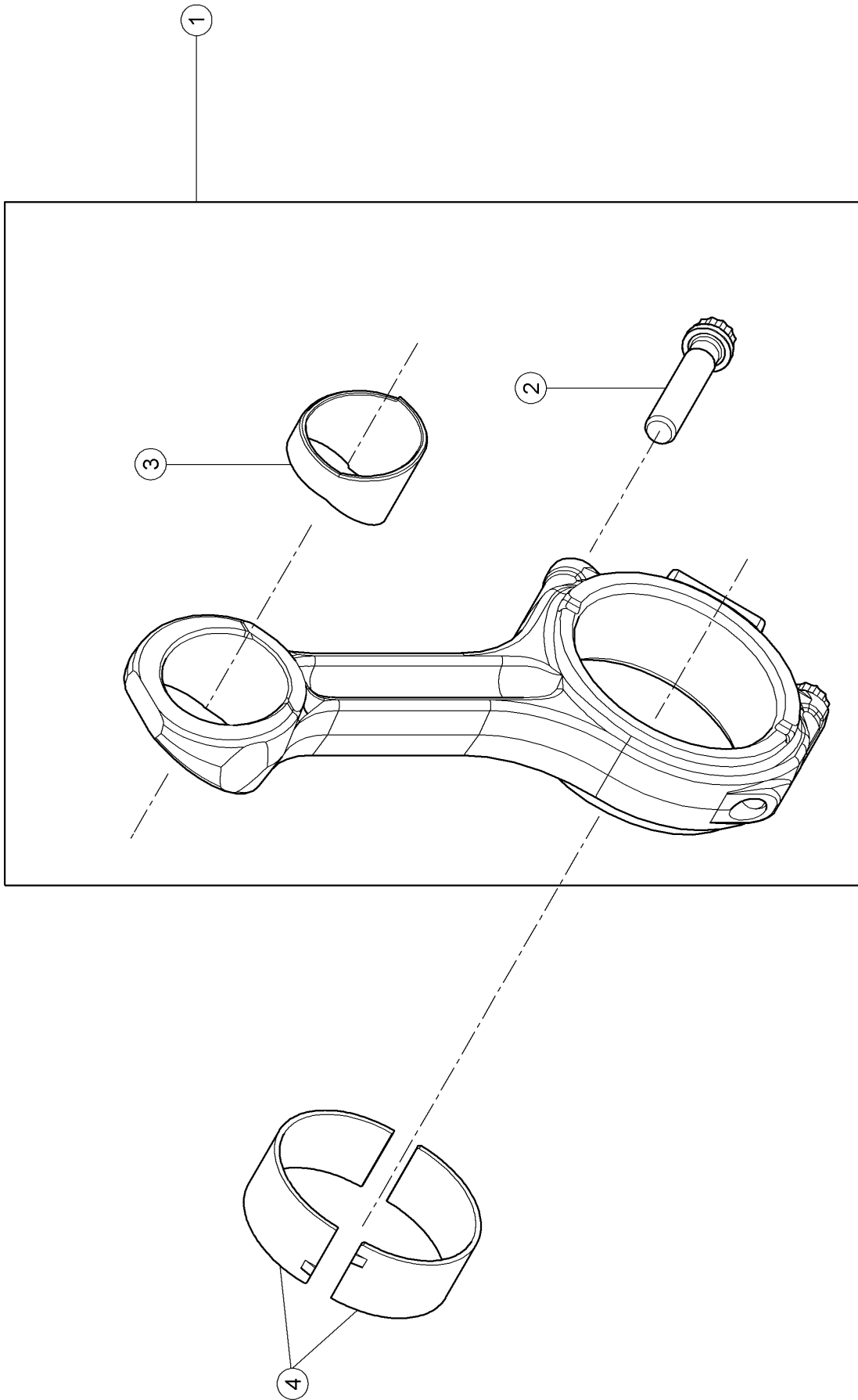
160 OIL PAN

Pos.	Part No.	Description	Dimension	Quantity	Conditions
1	60 0502 666 6	GASKET		1	
2	00 1146 458 0	CASING		1	
3	60 0502 160 7	PLUG	F-M18X1,5 ERS.D.7700054	2	
4	60 0502 160 8	O-RING	15,3X2,2-N	2	
5	60 0502 144 4	SCREW	M8X35	6	
6	60 0502 165 4	SCREW	M10X35	26	
7	00 1132 475 0	SCREW		4	



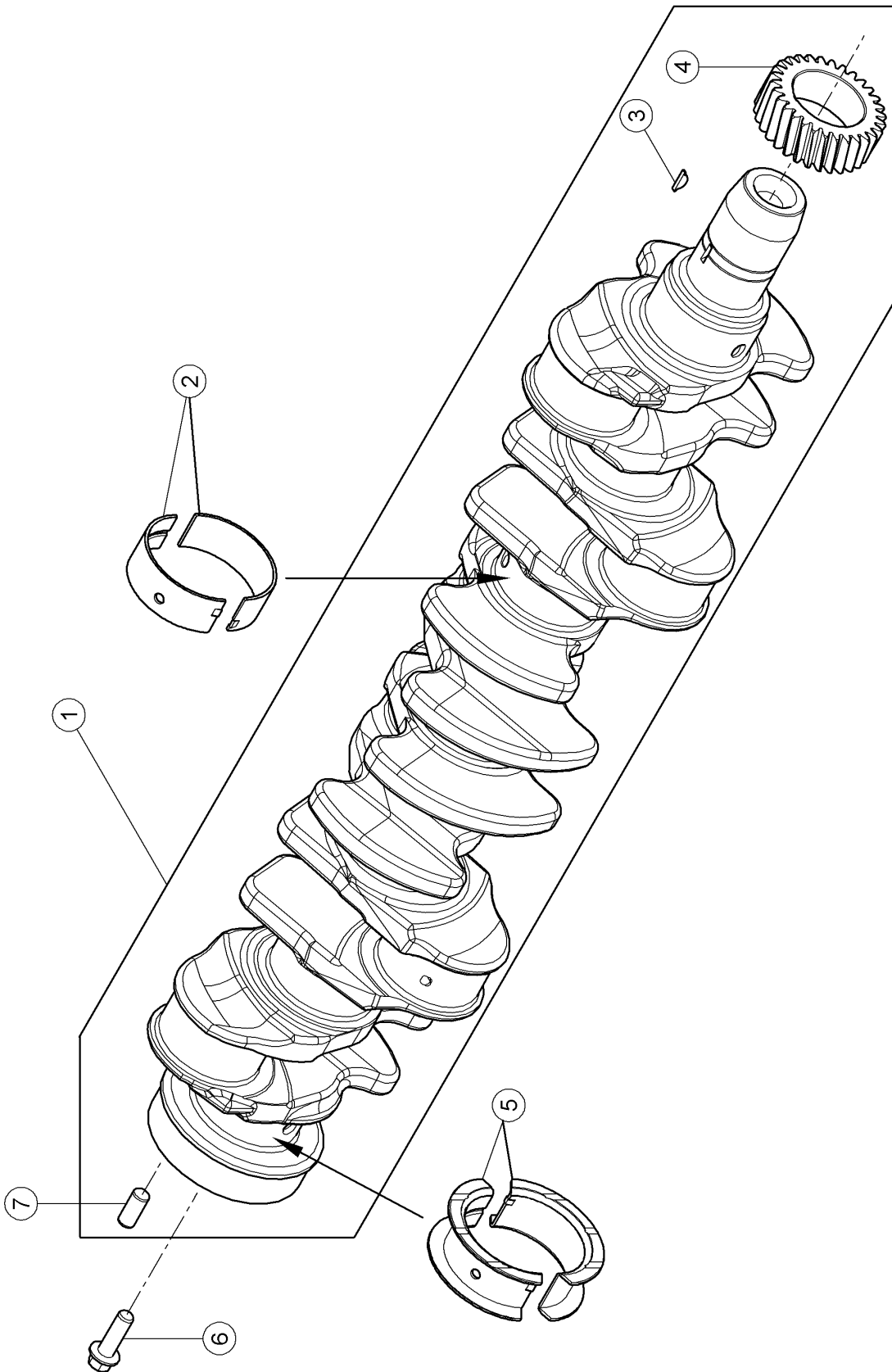
100 CYLINDER LINER, PISTON

Pos.	Part No.	Description	Dimension	Quantity	Conditions
1	00 1166 474 0	PISTON-LINER		6	
2	00 1132 482 0	AXLE		6	
3	60 0501 281 4	INNER CIRCLIP		12	
4	00 1146 460 0	SEALING RING SET		6	
5	00 1145 886 0	SET OF PISTON RINGS		6	
6	00 1145 889 0	SCREW		6	
7	00 1145 888 0	NOZZLE		6	
8	60 0501 281 5	ADJUSTING DISC		6	1)
8	60 0501 281 6	ADJUSTING DISC		6	2)
1)	Remarks		[SR]EP.0.05MM		
2)	Remarks		[SR]EP.0.10MM		



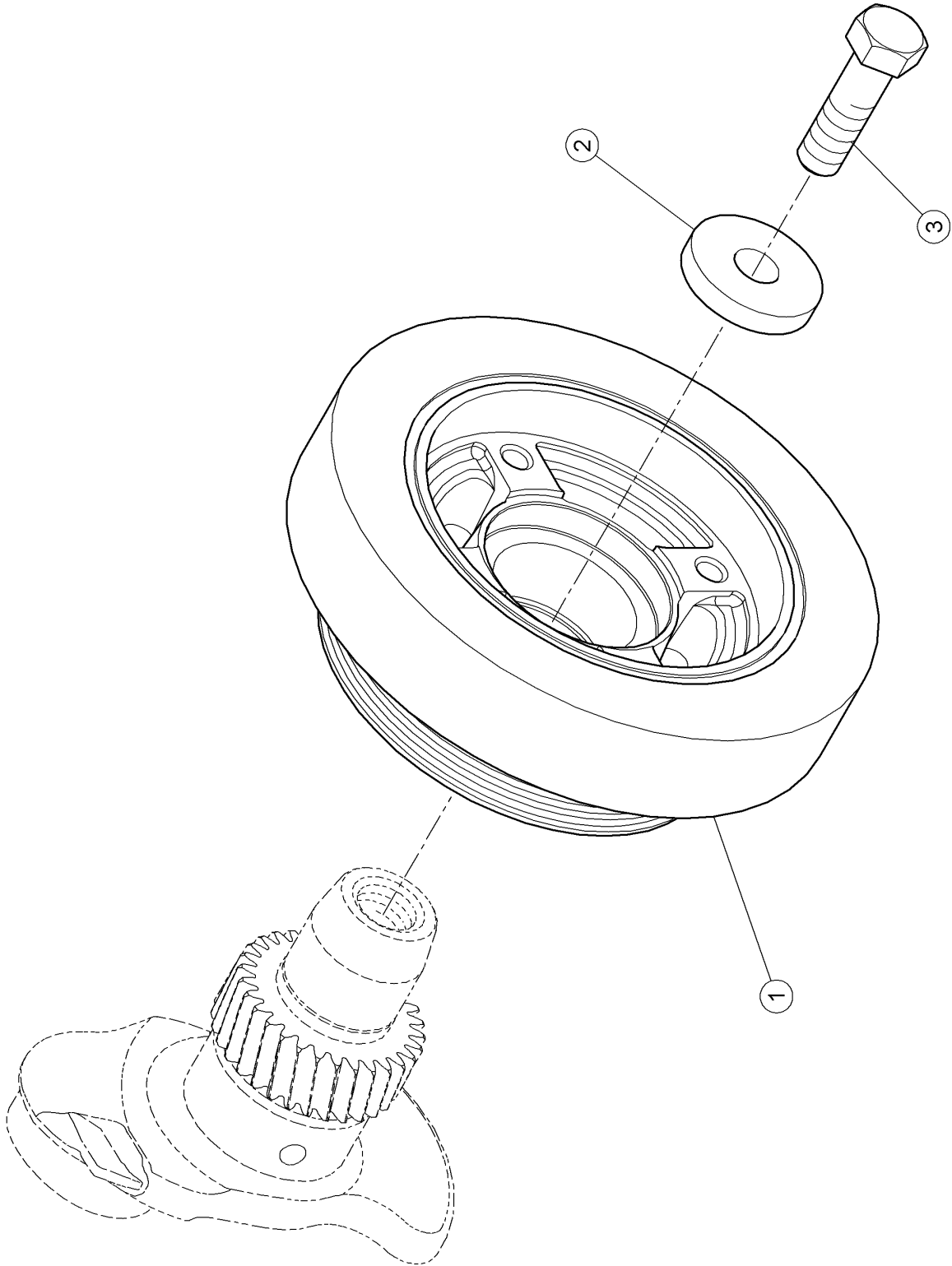
120 CONNECTING ROD, CONNECTING ROD BEARINGS

Pos.	Part No.	Description	Dimension	Quantity	Conditions
1	60 0502 453 6	CONNECTING ROD		6	
2	60 0502 453 7	SCREW	12 PTS M12 X 1,25 - 61	12	
3	60 0502 147 6	RING		6	
4	00 1146 461 0	BEARING BUSH		6	



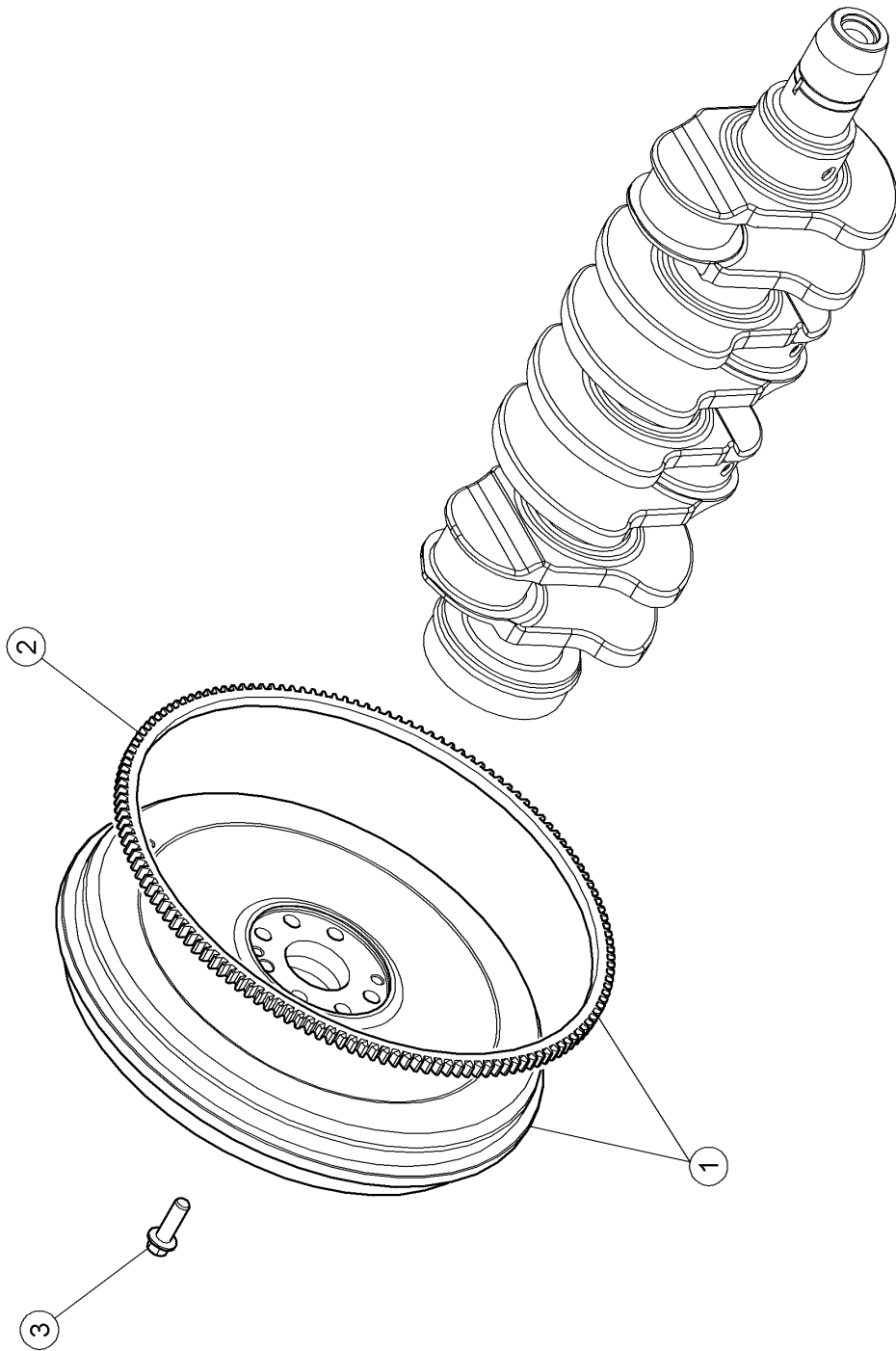
140 CRANKSHAFT

Pos.	Part No.	Description	Dimension	Quantity	Conditions
1	60 0502 869 6	CRANKSHAFT		1	
2	60 0502 148 3	BEARING		6	1)
2	60 0502 148 4	BEARING		6	2)
3	60 0502 869 7	KEY		1	
4	60 0502 148 5	WHEEL		1	
5	60 0502 148 1	BEARING		1	1)
5	60 0502 148 2	BEARING		1	2)
6	60 0502 625 8	SCREW	12 X 1,75 -37 - M12X40	6	
7	60 0501 317 4	CENTRING PIN		1	
1)	Remarks	STANDARD			
2)	Remarks	- 0,254mm			



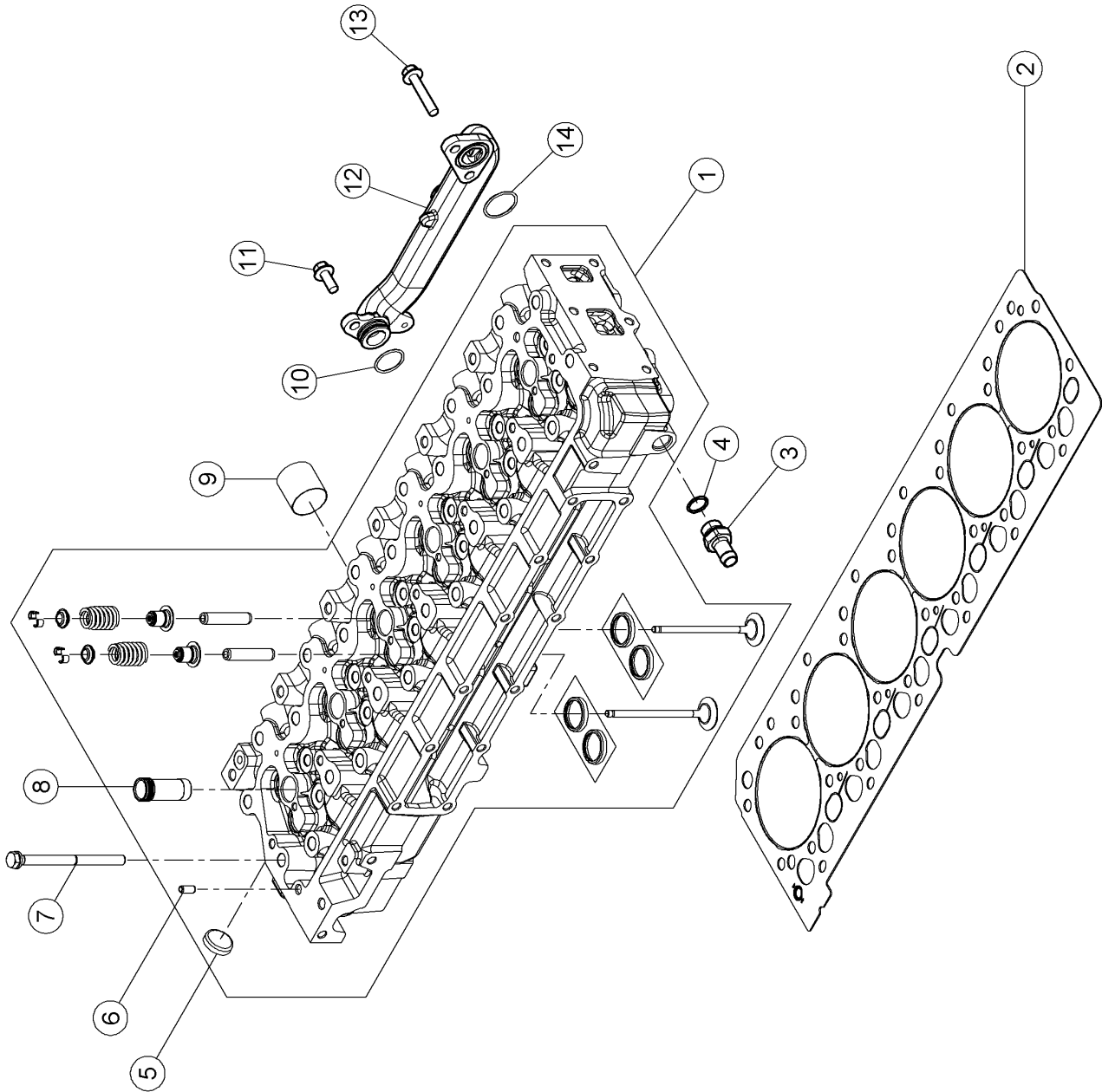
160 CRANKSHAFT PULLEY WHEEL

Pos.	Part No.	Description	Dimension	Quantity	Conditions
1	00 1137 796 0	PULLEY		1	
2	60 0503 045 1	SPACER		1	
3	60 0502 866 8	SCREW	M20X70	1	



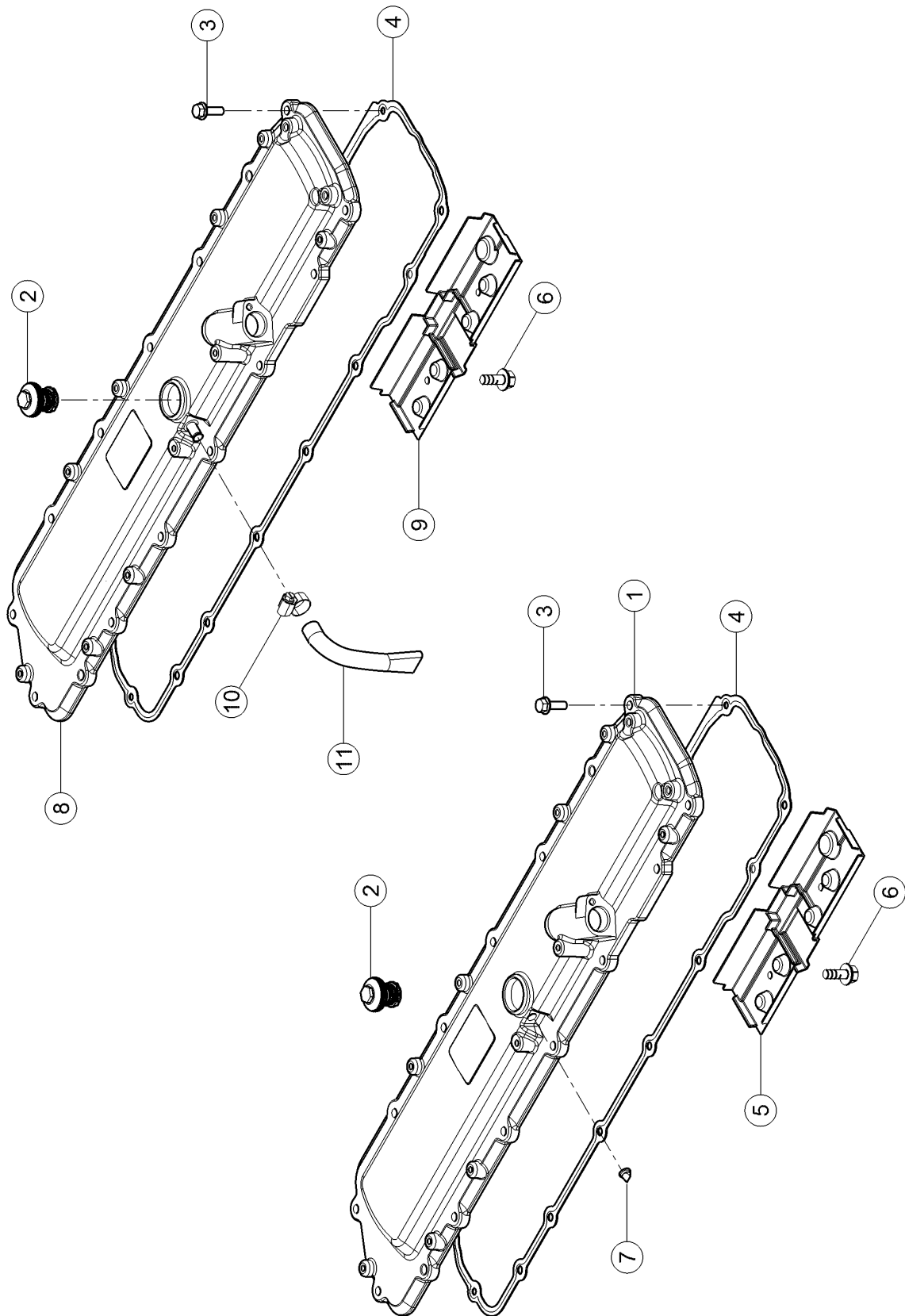
220 FLYWHEEL

Pos.	Part No.	Description	Dimension	Quantity	Conditions
1	00 1145 894 0	FLYWHEEL		1	
2	77 0004 531 5	TOOTHED RIM		1	
3	60 0502 625 8	SCREW	12 X 1,75 -37 - M12X40	6	



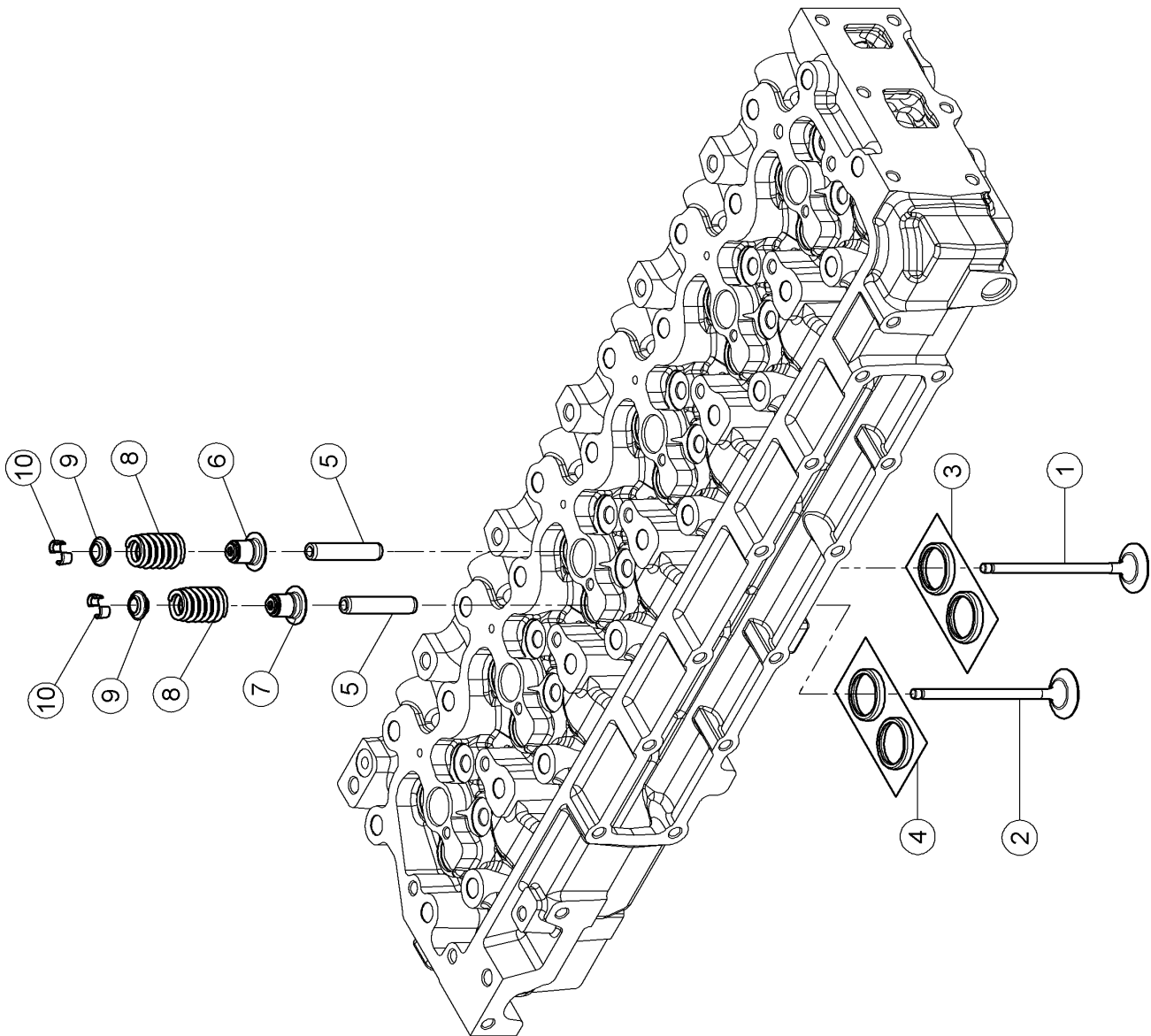
100 CYLINDER HEAD

Pos.	Part No.	Description	Dimension	Quantity	Conditions
1	00 1166 504 0	CYLINDER HEAD		1	
2	00 1145 799 0	CYLINDER HEAD GASKET		1	
3	00 1148 633 0	END PIECE		1	
4	60 0502 160 4	O-RING	19X2.4	1	
5	60 0501 288 3	LOCK		1	
6	00 1145 916 0	RING		2	
7	00 1145 917 0	SCREW		26	
8	00 1142 367 0	LINER		6	
9	00 1145 915 0	SLEEVE		6	
10	00 1148 649 0	O-RING		1	
11	77 0005 997 7	HEXAGON HEAD BOLT	M10X25	2	
12	00 1148 650 0	MANIFOLD		1	
13	00 1146 950 0	SCREW	M10X55	1	
14	00 1148 651 0	O-RING		1	



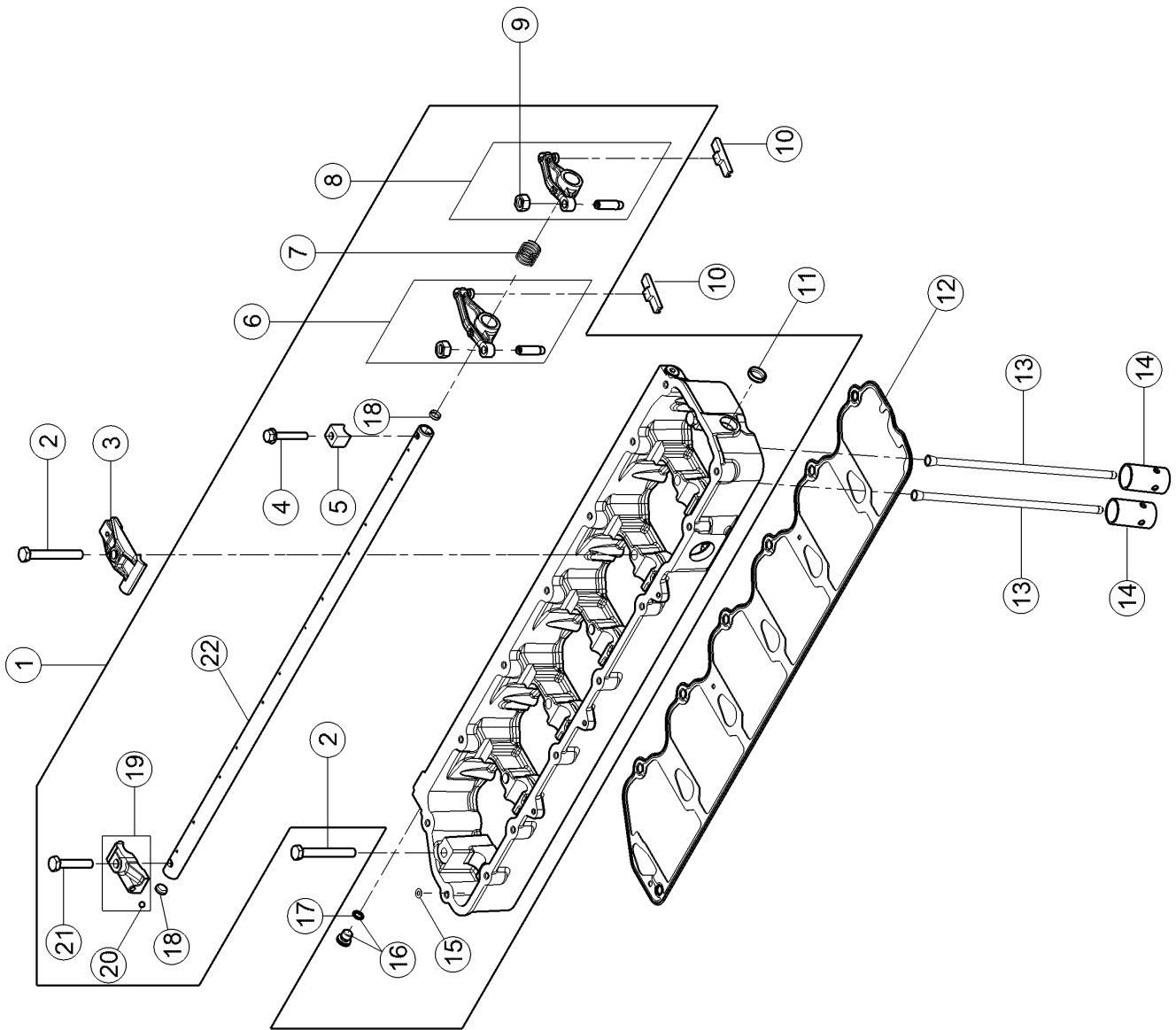
120 CYLINDER HEAD COVER

Pos.	Part No.	Description	Dimension	Quantity	Conditions
1	00 1146 477 0	ROCKER COVER		1	
2	00 1145 919 0	PLUG		1	
3	60 0502 145 6	SCREW	M8X25	15	
4	00 1146 478 0	GASKET		1	
5	00 1146 479 0	DEFLECTOR		1	1)
6	60 0502 144 8	SCREW	M6X16	2	
7	00 1145 921 0	VALVE		1	1)
8	00 1151 053 0	ROCKER COVER		1	
9	00 1151 054 0	DEFLECTOR		1	2)
10	60 0500 348 0	CLAMP	A 016-27X9 W2	1	2)
11	00 1159 413 0	PIPE		1	2)
1)	Remarks		FOR 0011464770		
2)	Remarks		FOR 0011510530		



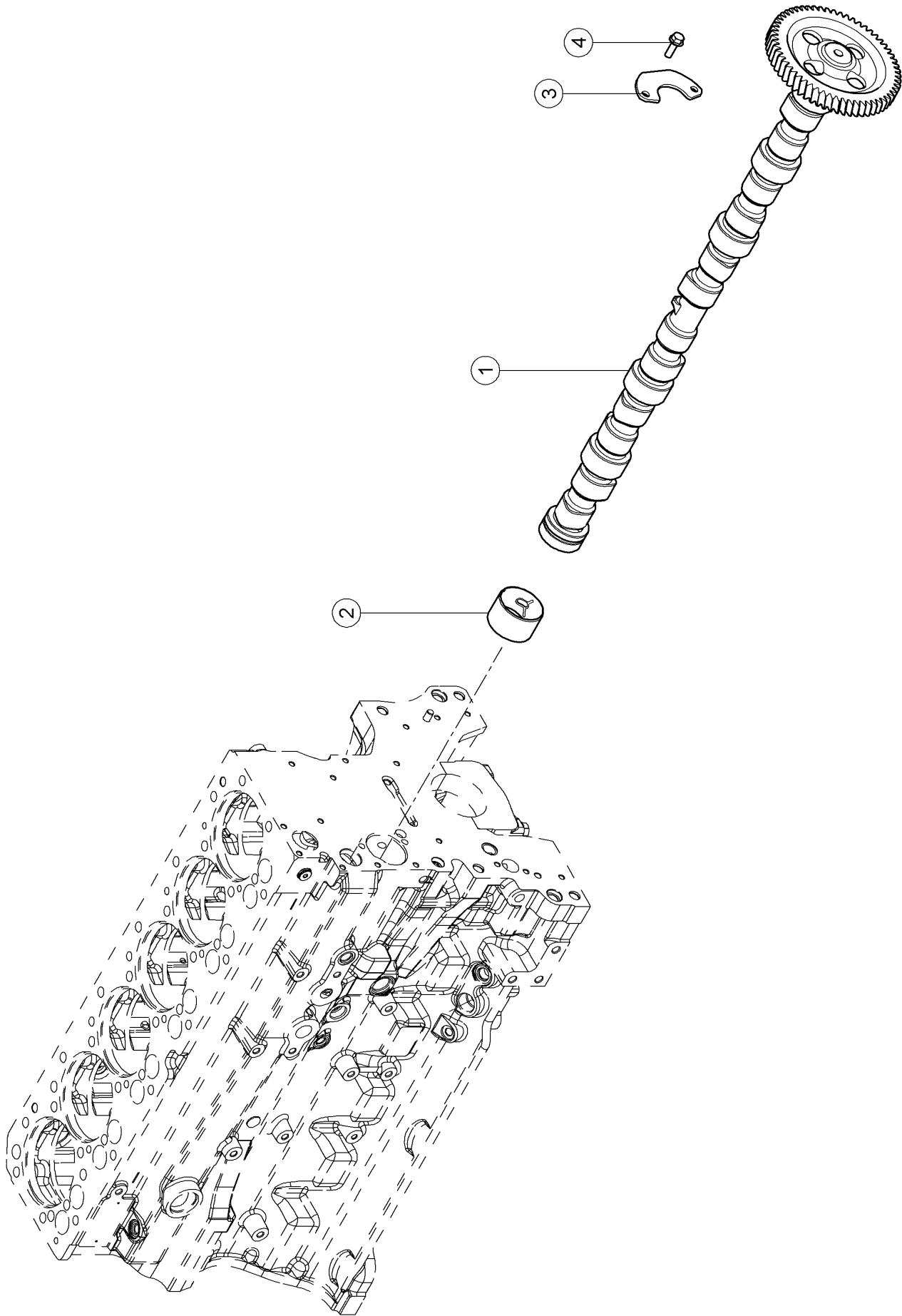
140 VALVES

Pos.	Part No.	Description	Dimension	Quantity	Conditions
1	00 1146 483 0	VALVE		12	1)
2	00 1145 923 0	VALVE		12	2)
3	00 1132 514 0	VALVE SEAT		6	1)
4	00 1132 513 0	VALVE SEAT		6	2)
5	00 1152 441 0	GUIDE		24	
6	00 1145 925 0	LIP SEAL		12	1)
7	00 1145 926 0	LIP SEAL	REPLACED W. 1169 343.0	12	2)
8	00 1145 927 0	SPRING		24	
9	00 1132 518 0	WASHER		24	
10	00 1148 631 0	HALF-CONE		48	
1)	Remarks		Adm.		
2)	Remarks		Echapt		



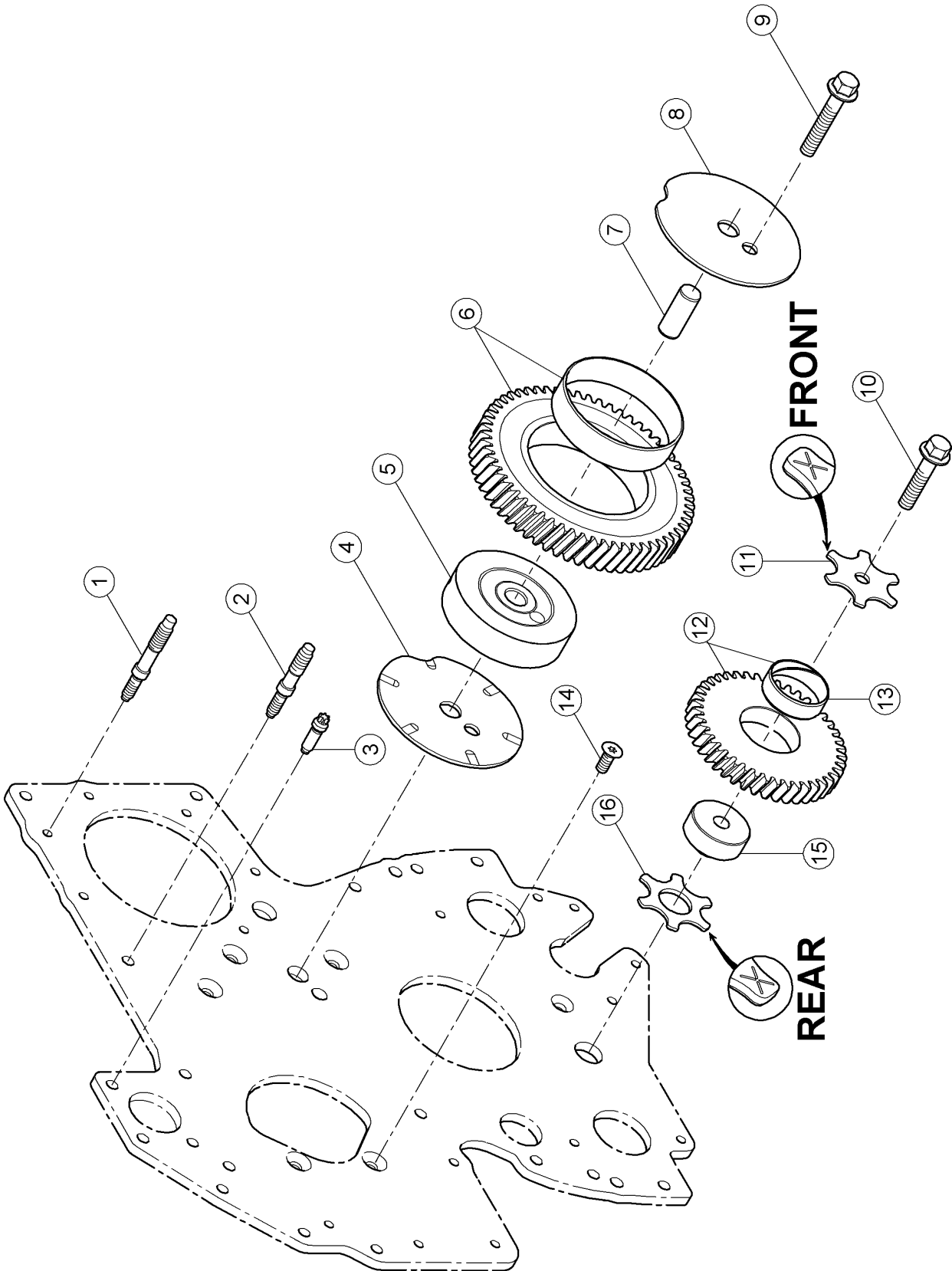
160 ROCKER ARM

Pos.	Part No.	Description	Dimension	Quantity	Conditions
1	00 1146 496 0	SHAFT		1	
2	00 1146 497 0	SCREW		7	
3	00 1145 931 0	FLANGE		5	
4	00 1145 933 0	SCREW		1	
5	00 1132 533 0	FLANGE		1	
6	00 1150 538 0	ROCKER ARM		6	
7	00 1132 530 0	SPRING		6	
8	00 1150 539 0	ROCKER ARM		6	
9	00 1146 500 0	NUT		12	
10	00 1146 501 0	TIPPER		12	
11	00 1146 502 0	PLUG		1	
12	00 1146 503 0	SEALING RING		1	
13	00 1166 976 0	ROD		12	
14	00 1161 548 0	PUSHROD		12	
15	00 1145 929 0	O-RING		1	
16	60 0502 905 2	PLUG		1	
17	60 0502 156 7	O-RING	9,3X2,2	1	
18	00 1132 534 0	PLUG		2	
19	00 1147 031 0	FLANGE		1	
20	00 1145 930 0	BALL		14	
21	60 0502 164 2	SCREW		1	
22	00 1161 547 0	SHAFT		1	



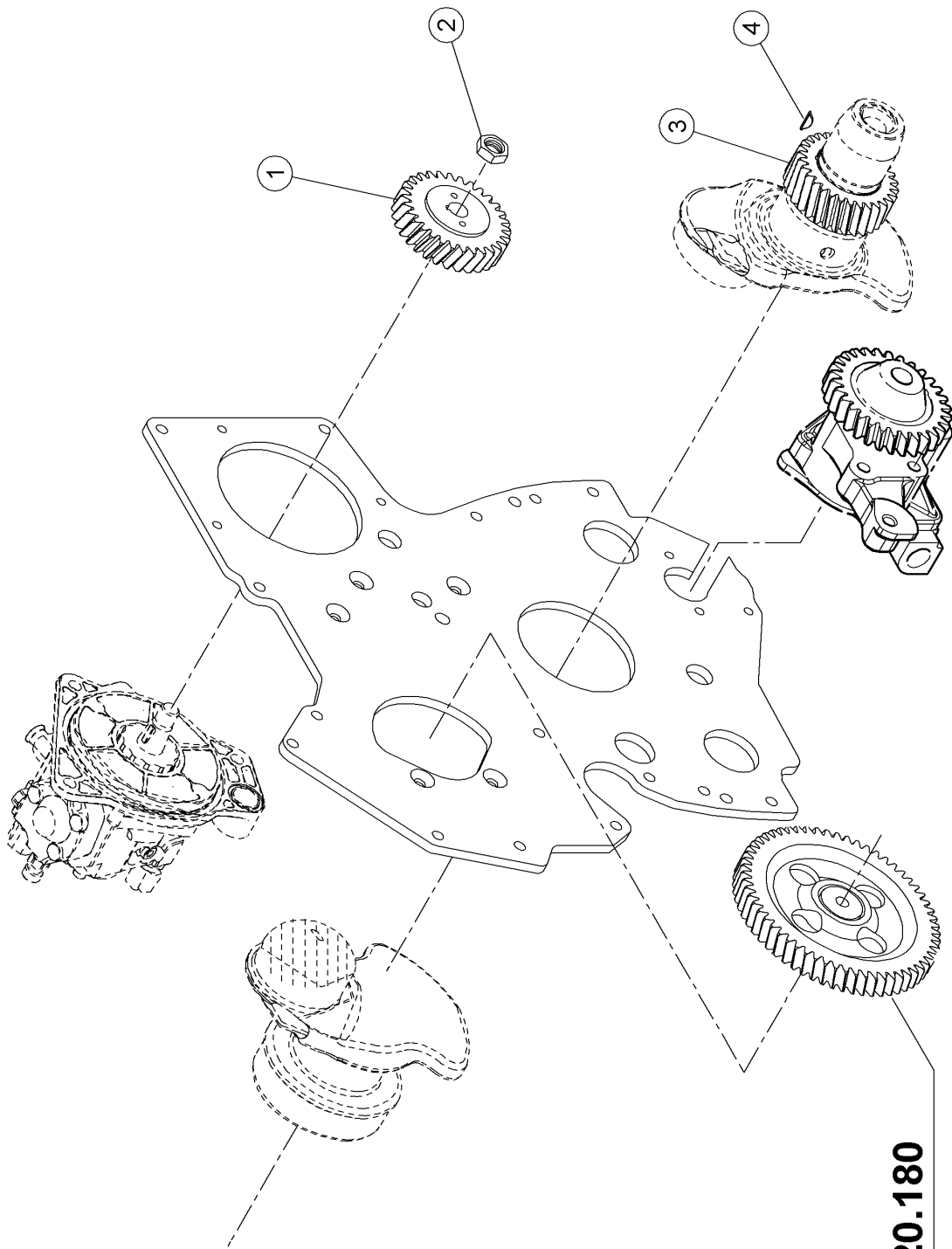
180 CAMSHAFT, CAMSHAFT BEARING BUSHES

Pos.	Part No.	Description	Dimension	Quantity	Conditions
1	00 1146 505 0	SHAFT		1	
2	60 0501 294 1	BEARING		1	
3	60 0502 151 1	PLATE		1	
4	60 0502 145 6	SCREW	M8X25	2	



200 IDLER GEAR

Pos.	Part No.	Description	Dimension	Quantity	Conditions
1	00 1132 473 0	STUD BOLT		6	
2	60 0502 339 8	STUD BOLT		3	
3	00 1146 451 0	STUD BOLT		2	
4	00 1132 542 0	WASHER		1	
5	00 1132 543 0	HUB		1	
6	00 1132 544 0	WHEEL		1	
7	00 1132 541 0	LOCATING PIN		1	
8	00 1132 542 0	WASHER		1	
9	60 0502 340 7	SCREW		1	
10	00 1145 932 0	SCREW	M10X50	1	
11	60 0502 152 2	WASHER		1	
12	60 0502 151 9	WHEEL		1	
13	60 0502 152 0	RING		1	
14	60 0502 339 7	SCREW		1	
15	60 0502 152 3	SHAFT		1	
16	60 0501 299 8	WASHER		1	



...01.20.180





Suggest:

For more complete manuals. Please go to the home page.

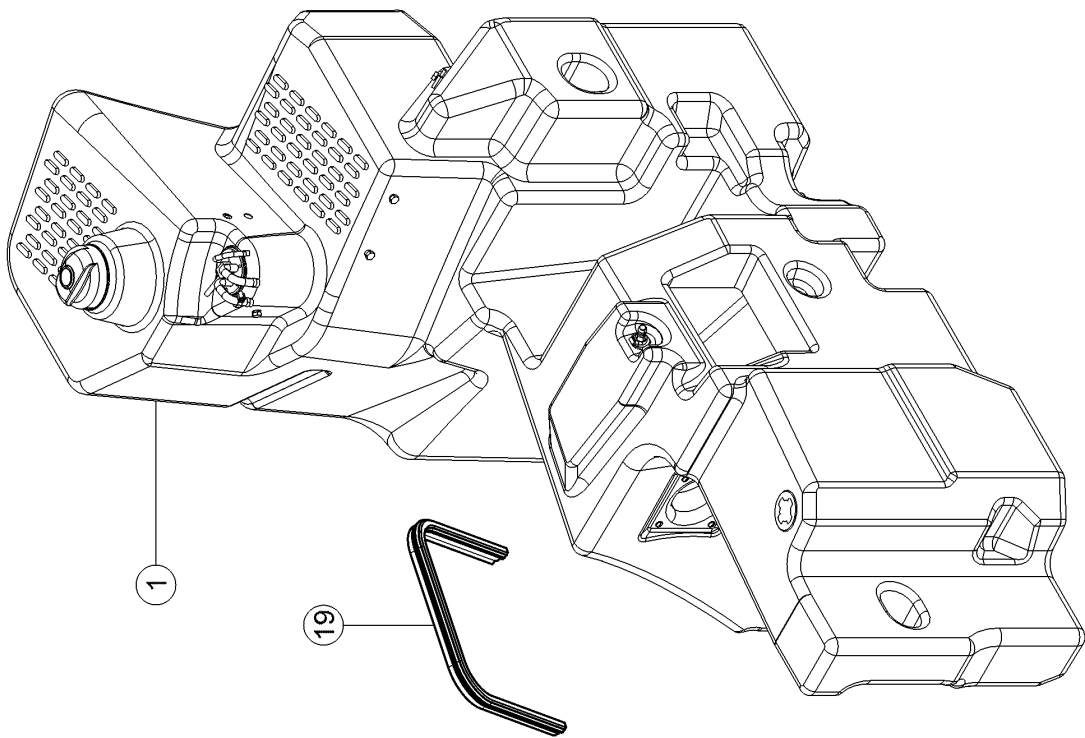
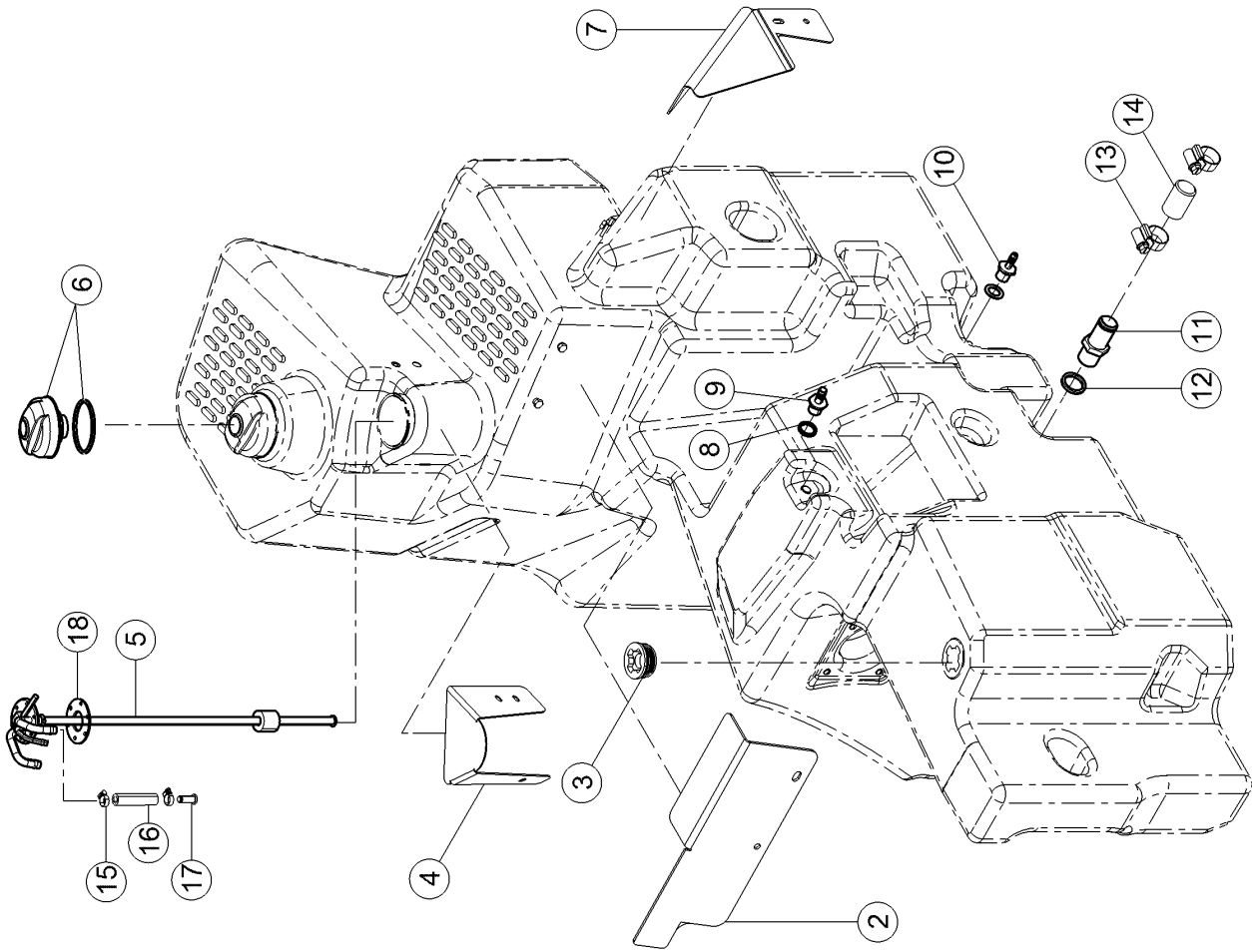
<https://www.ebooklibonline.com>

If the above button click is invalid. Please download this document first, and then click the above link to download the complete manual.

Thank you so much for reading

200 IDLER GEAR

Pos.	Part No.	Description	Dimension	Quantity	Conditions
1	00 1146 507 0	WHEEL		1	
2	00 1137 661 0	NUT		1	
3	60 0502 148 5	WHEEL		1	
4	60 0502 869 7	KEY		1	



100 FUEL TANK 1)

Pos.	Part No.	Description	Dimension	Quantity	Conditions
1	00 2198 324 0	RESERVOIR		1	
2	00 2157 934 2	SUPPORT		1	
3	77 0006 873 4	PLUG		1	
4	00 2154 953 3	PROTECTOR		1	
5	00 1128 845 1	GAUGE		1	2)
5	00 2199 221 0	GAUGE		1	3)
6	00 1115 046 0	PLUG		1	
7	00 2154 896 1	HEAT SHIELD		1	
8	00 1133 148 0	SEALING RING		1	
9	00 2174 433 0	END PIECE		1	
10	00 0783 647 1	ADAPTER		1	
11	00 2174 378 0	END PIECE	D32/ 1 1/4"	1	
12	00 1133 150 0	SEALING RING		1	
13	60 0500 348 3	CLAMP	A 032-50X9 W2	2	
14	00 2158 842 0	BLANKING COVER	5X3X3	1	4)
15	60 0500 347 9	HOSE CLAMP	A 12-22X9	2	
16	00 2160 932 0	PIPE		1	4)
17	77 0003 380 2	AXLE		1	4)
18	77 0003 904 2	GASKET		1	
19	00 2153 913 2	SEAL		1	

1) EquipmentTD_P18_0030
TD_P18_0040Fuel tank 285 l
Fuel tank 280 l + additional fuel tank 50 l**2) machine no.**

+ up to A3605272

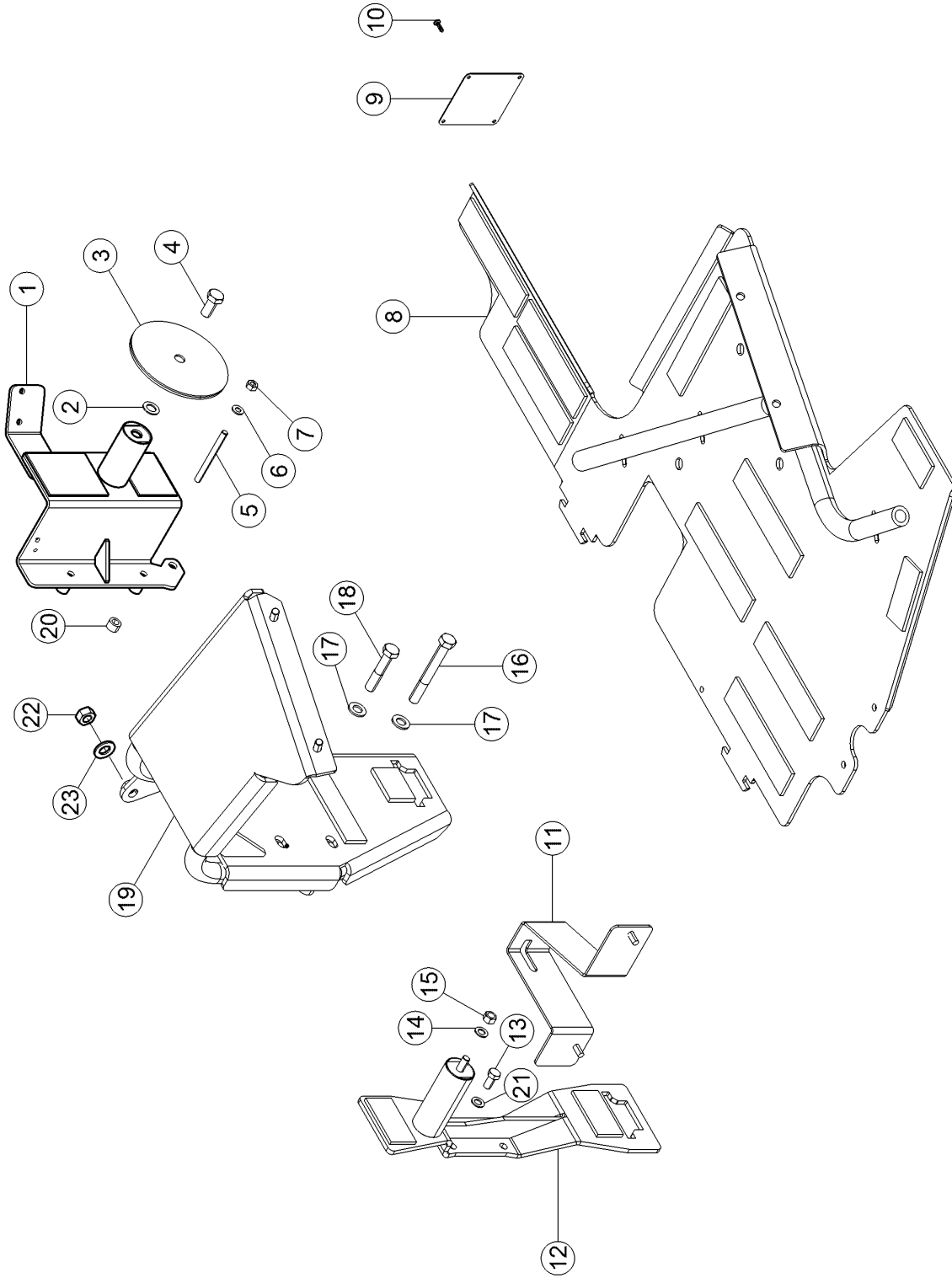
3) machine no.

+ from A3605273

4) Equipment

TD_P18_0030

Fuel tank 285 l



<https://www.ebooklibonline.com>

Hello dear friend!

Thank you very much for reading.

Enter the link into your browser.

The full manual is available for immediate download.

<https://www.ebooklibonline.com>