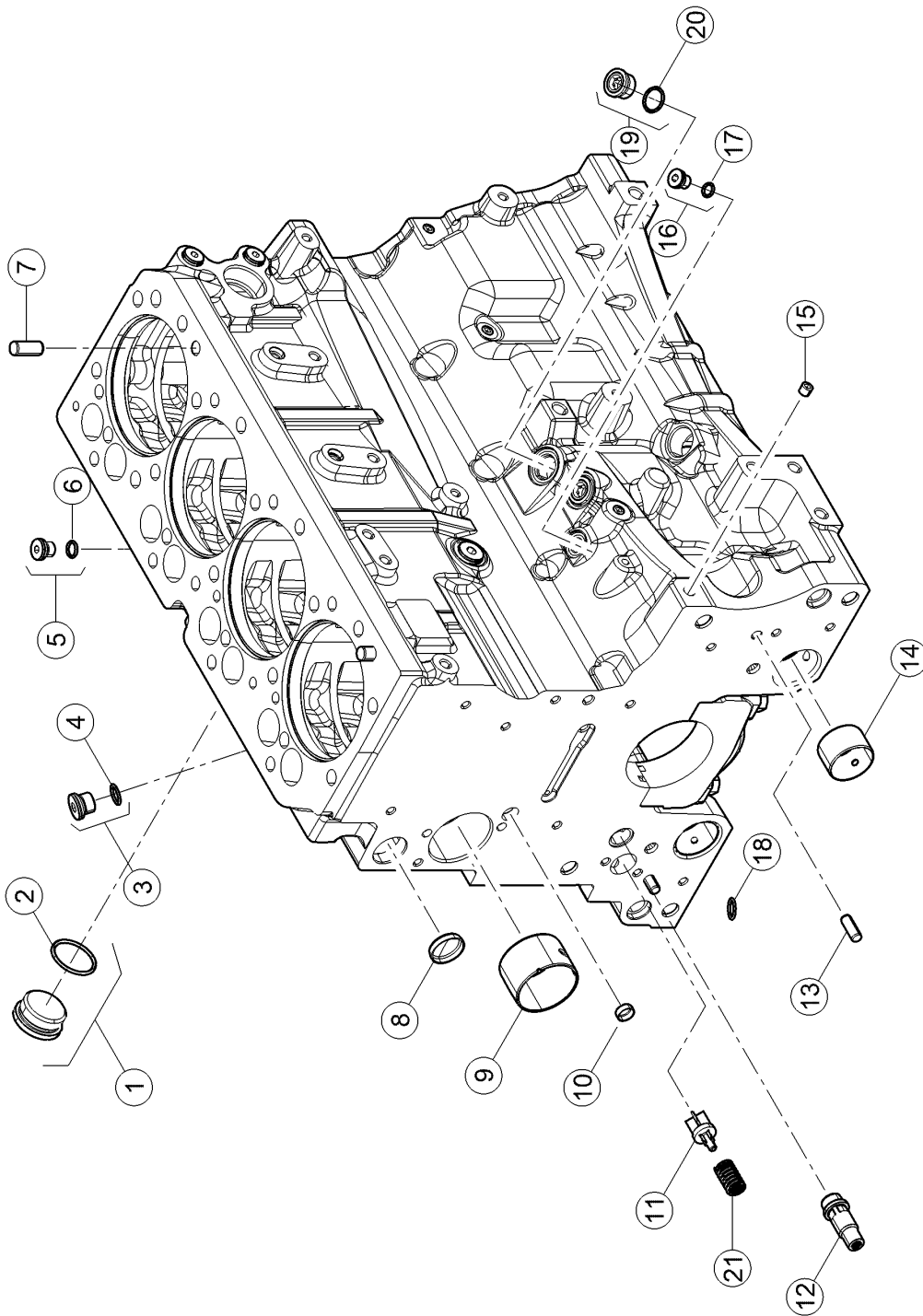


**010 COMPLETE ENGINE**

<b>Pos.</b>	<b>Part No.</b>	<b>Description</b>	<b>Dimension</b>	<b>Quantity</b>	<b>Conditions</b>
1	<b>00 1169 916 0</b>	ENGINE		1	



**<https://www.ebooklibonline.com>**

Hello dear friend!

Thank you very much for reading.

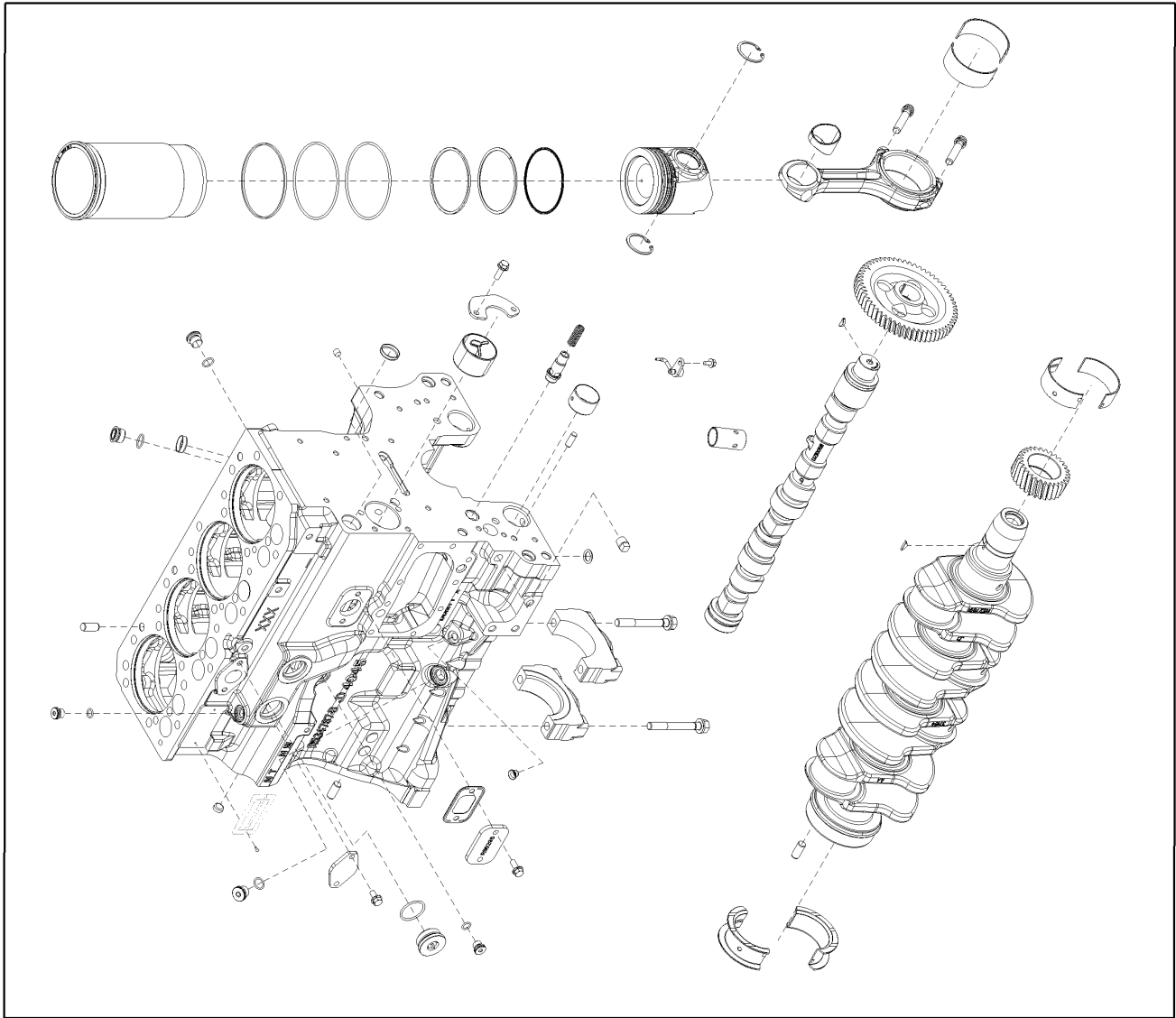
Enter the link into your browser.

The full manual is available for immediate download.

**<https://www.ebooklibonline.com>**

**100 CRANKCASE**

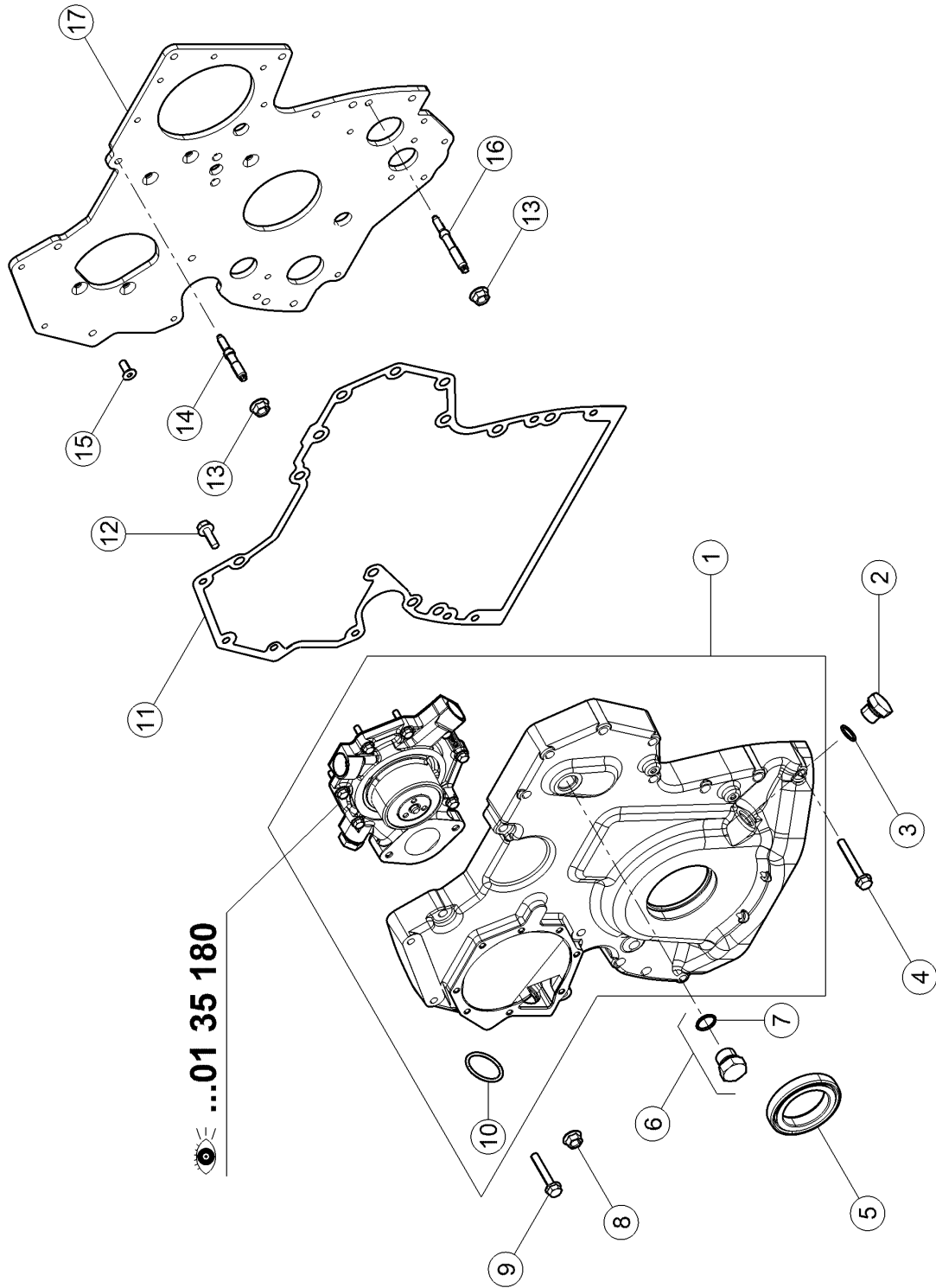
<b>Pos.</b>	<b>Part No.</b>	<b>Description</b>	<b>Dimension</b>	<b>Quantity</b>	<b>Conditions</b>
1	<b>60 0502 905 2</b>	PLUG		2	
2	<b>60 0501 938 3</b>	O-RING		2	
3	<b>00 1145 876 0</b>	PLUG		2	
4	<b>60 0502 160 8</b>	O-RING	15,3X2,2-N	2	
5	<b>00 1145 880 0</b>	PLUG		4	
6	<b>60 0502 164 1</b>	O-RING		4	
7	<b>60 0501 317 4</b>	CENTRING PIN		4	
8	<b>60 0502 143 9</b>	BLANKING COVER		1	
9	<b>60 0501 294 1</b>	BEARING		2	
10	<b>60 0501 319 8</b>	BLANKING COVER		2	
11	<b>00 1145 875 0</b>	VALVE		1	
12	<b>60 0502 869 1</b>	VALVE		1	
13	<b>60 0501 319 6</b>	CENTRING PIN		2	
14	<b>60 0502 593 1</b>	RING		2	
15	<b>00 1141 206 0</b>	PLUG		5	
16	<b>00 1161 401 0</b>	PLUG		1	
17	<b>60 0502 156 7</b>	O-RING	9,3X2,2	1	
18	<b>60 0501 320 3</b>	O-RING		1	
19	<b>00 1145 914 0</b>	BLANKING COVER		2	
20	<b>60 0502 160 4</b>	O-RING	19X2,4	2	
21	<b>60 0501 320 1</b>	SPRING		1	



1

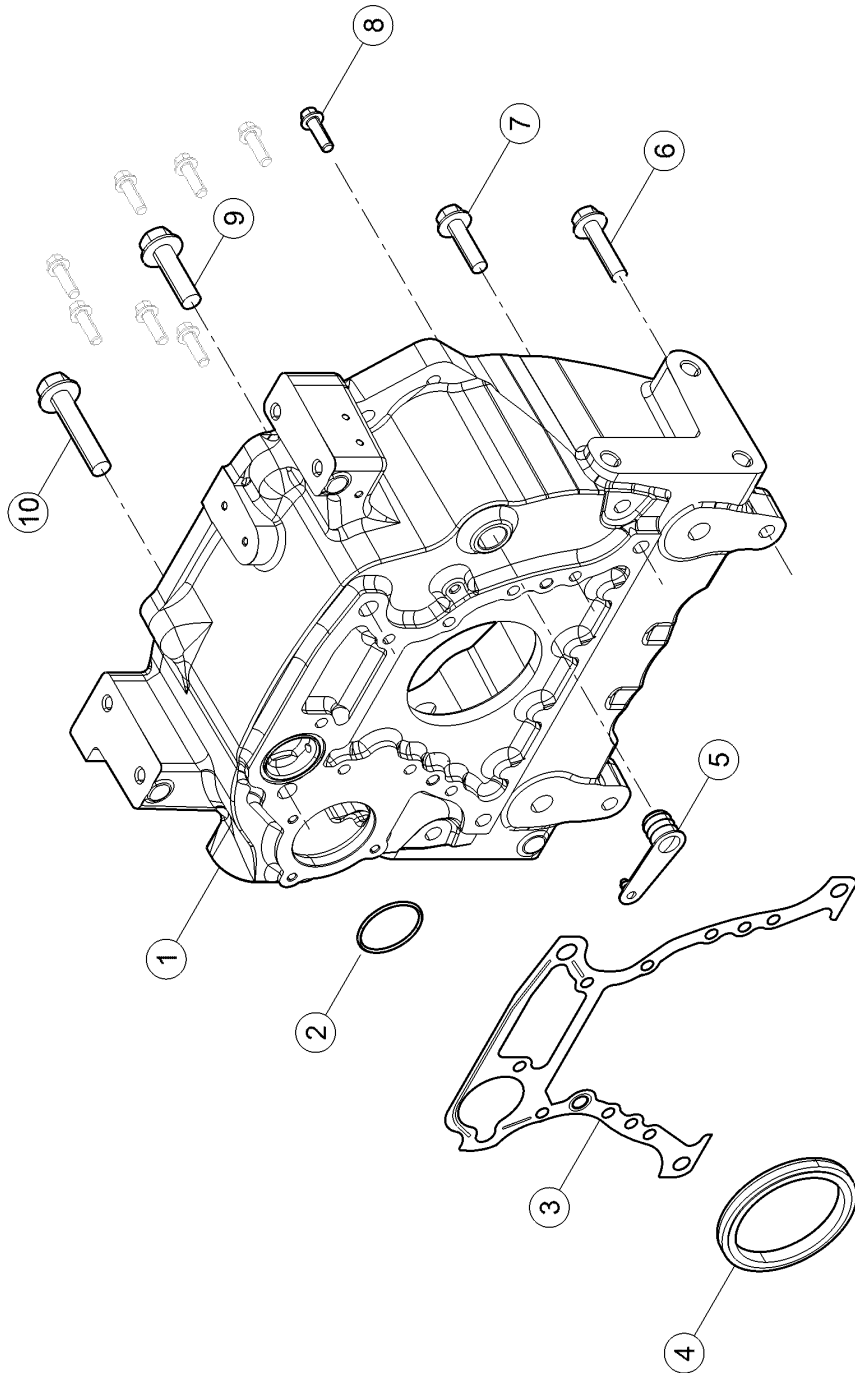
**100 CRANKCASE**

<b>Pos.</b>	<b>Part No.</b>	<b>Description</b>	<b>Dimension</b>	<b>Quantity</b>	<b>Conditions</b>
1	<b>00 1171 784 0</b>	SHORT BLOCK		1	



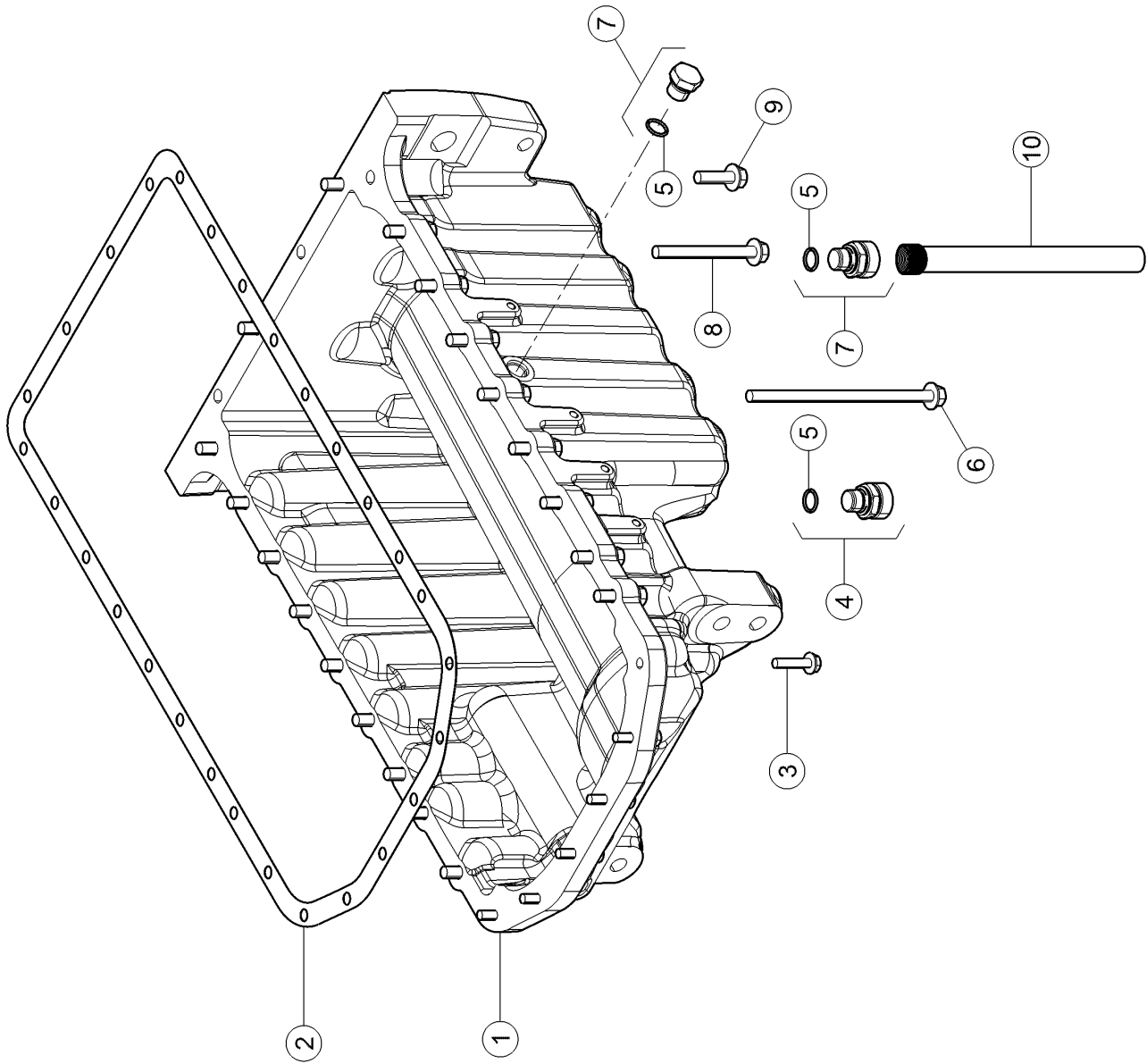
**120 TIMING CASE**

<b>Pos.</b>	<b>Part No.</b>	<b>Description</b>	<b>Dimension</b>	<b>Quantity</b>	<b>Conditions</b>
1	<b>00 1162 415 0</b>	CASING		1	
2	<b>60 0502 895 5</b>	SCREW PLUG	F-M20X1,5	1	
3	<b>60 0501 365 5</b>	O-RING	17,3X2,2	1	
4	<b>60 0502 145 0</b>	SCREW	M08X60	4	
5	<b>00 1169 885 0</b>	GASKET		1	
6	<b>60 0502 160 3</b>	LOCK	M22X1,5	1	
7	<b>60 0502 160 4</b>	O-RING	19X2.4	1	
8	<b>60 0502 144 9</b>	NUT		9	
9	<b>60 0502 593 6</b>	SCREW	M8X50	4	
10	<b>60 0500 796 4</b>	O-RING	37,69 X 3,53 NBR 80	1	
11	<b>00 1162 416 0</b>	FLAT SEAL		1	
12	<b>60 0502 145 6</b>	SCREW	M8X25	1	
13	<b>60 0502 144 9</b>	NUT		9	
14	<b>60 0502 339 8</b>	STUD BOLT		2	
15	<b>60 0502 339 7</b>	SCREW		5	
16	<b>00 1132 473 0</b>	STUD BOLT		7	
17	<b>00 1170 801 0</b>	PANEL		1	



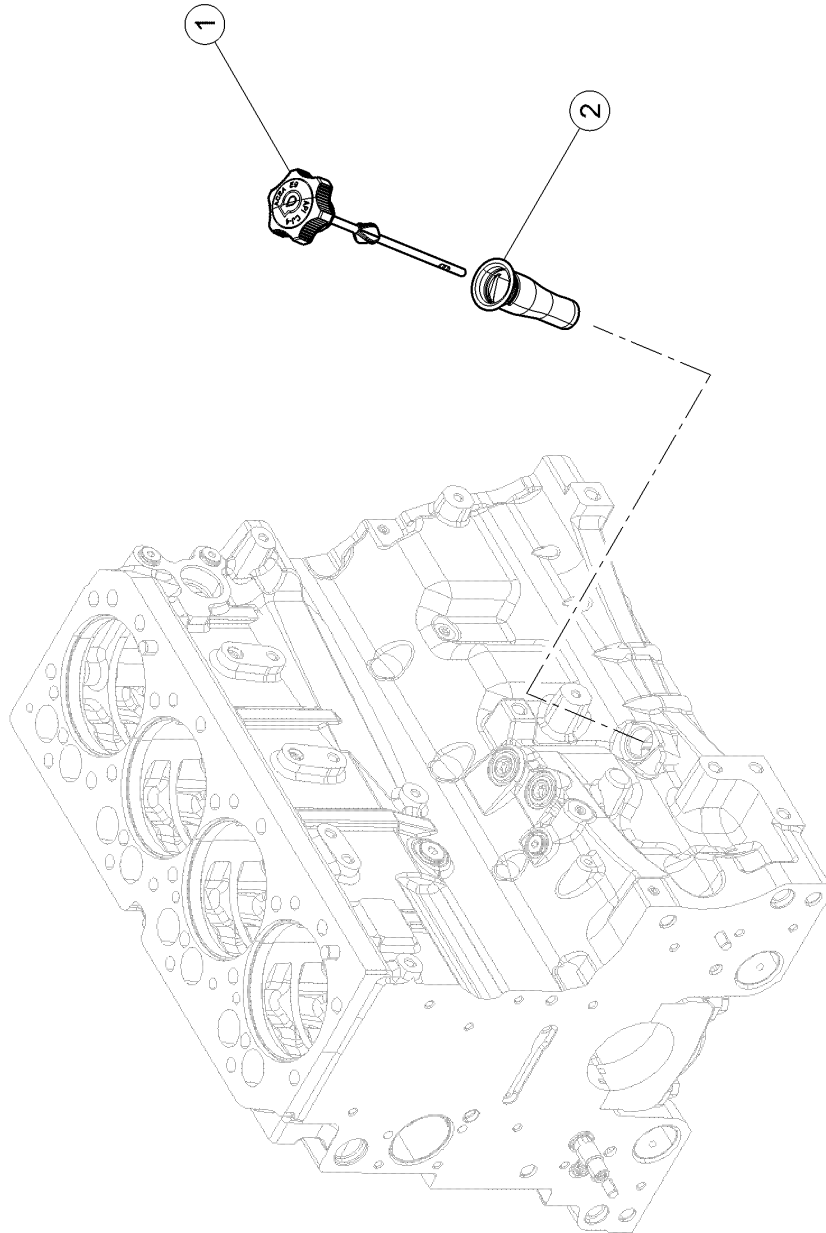
**140 FLYWHEEL HOUSING**

<b>Pos.</b>	<b>Part No.</b>	<b>Description</b>	<b>Dimension</b>	<b>Quantity</b>	<b>Conditions</b>
1	<b>00 1161 402 0</b>	CASING		1	
2	<b>60 0501 604 9</b>	O-RING		1	
3	<b>77 0005 577 1</b>	GASKET		1	
4	<b>00 1169 730 0</b>	LIP SEAL		1	
5	<b>60 0501 611 6</b>	BLANKING COVER		1	
6	<b>60 0502 777 3</b>	SCREW	M16X60	2	
7	<b>60 0502 146 8</b>	SCREW		2	
8	<b>60 0502 625 8</b>	SCREW	12 X 1,75 -37 - M12X40	8	
9	<b>00 1132 476 0</b>	SCREW		1	
10	<b>00 1132 477 0</b>	SCREW	M20X100	1	



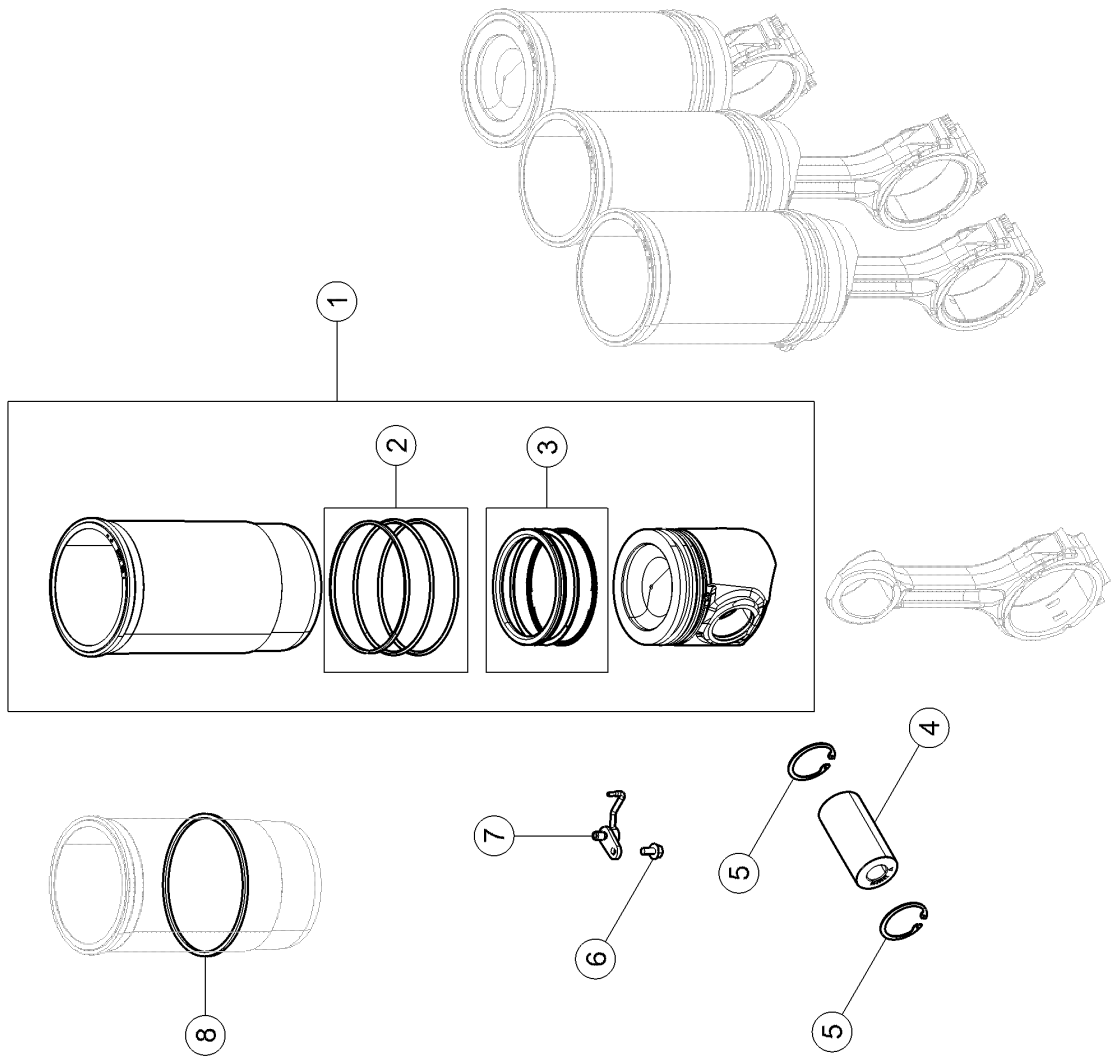
**160 OIL PAN**

<b>Pos.</b>	<b>Part No.</b>	<b>Description</b>	<b>Dimension</b>	<b>Quantity</b>	<b>Conditions</b>
1	<b>00 1170 843 0</b>	CASING		1	
2	<b>00 1166 771 0</b>	FLAT SEAL		1	
3	<b>60 0502 144 4</b>	SCREW	M8X35	6	
4	<b>00 1161 404 0</b>	PLUG		2	
5	<b>60 0502 160 8</b>	O-RING	15,3X2,2-N	3	
6	<b>00 1132 475 0</b>	SCREW		2	
7	<b>60 0502 160 7</b>	PLUG	F-M18X1,5 ERS.D.7700054	2	
8	<b>60 0502 625 3</b>	SCREW	M10X100	2	
9	<b>60 0502 165 4</b>	SCREW	M10X35	18	
10	<b>00 2611 791 0</b>	RUBBER PIPE		1	



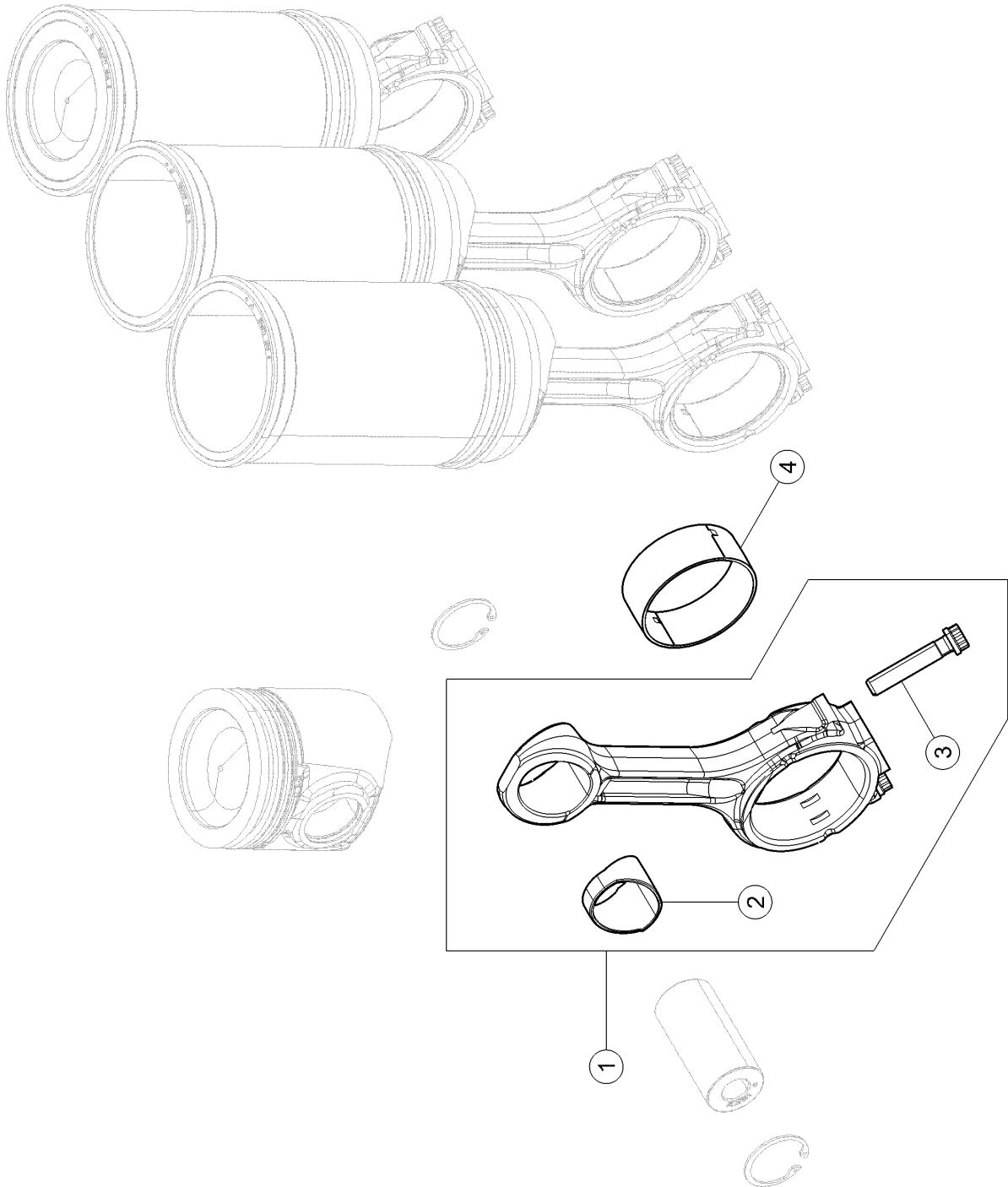
**160 OIL PAN**

<b>Pos.</b>	<b>Part No.</b>	<b>Description</b>	<b>Dimension</b>	<b>Quantity</b>	<b>Conditions</b>
1	<b>00 1145 355 0</b>	GAUGE		1	
2	<b>00 1146 111 0</b>	TUBE		1	



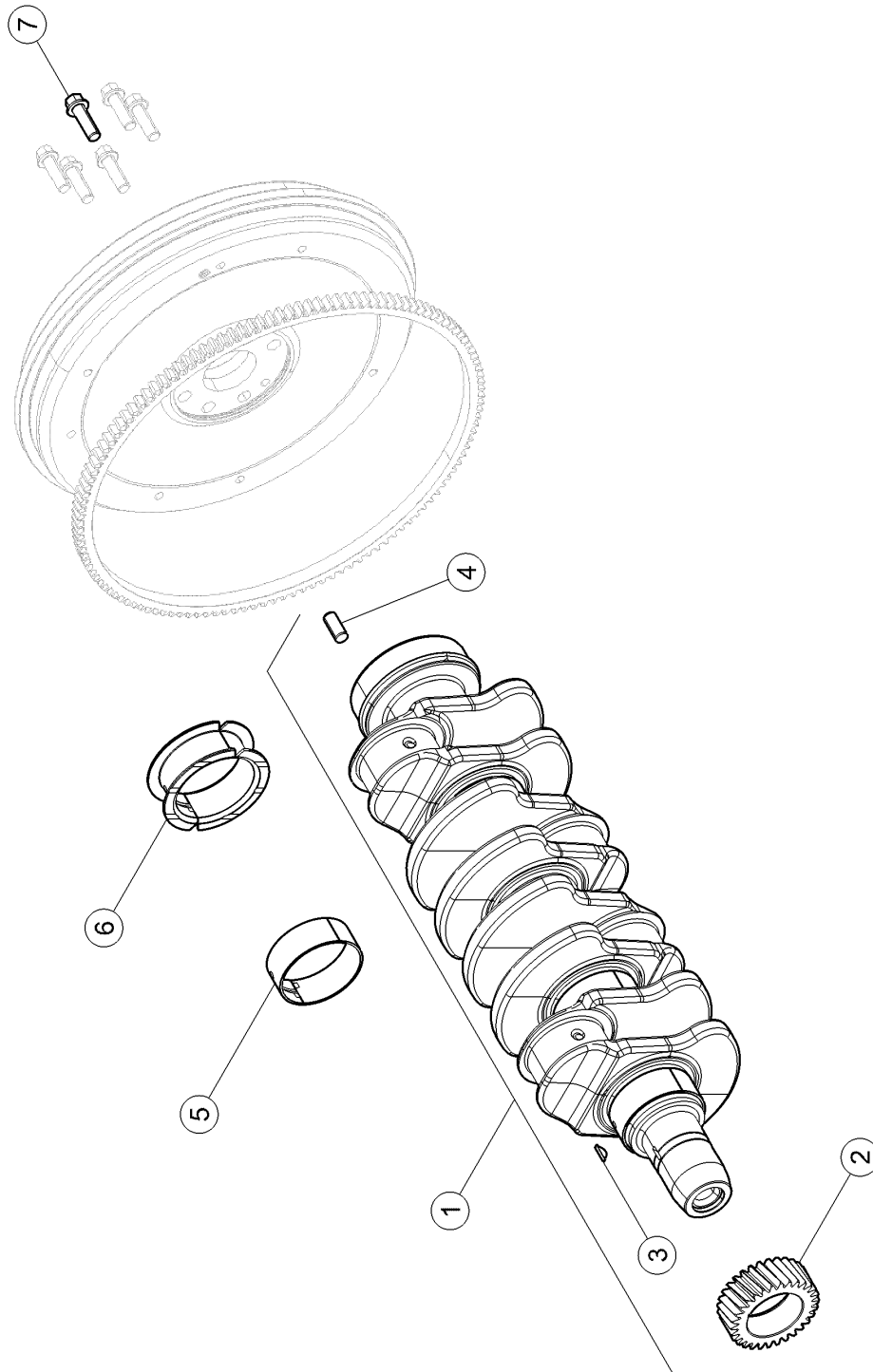
**100 CYLINDER LINER, PISTON**

<b>Pos.</b>	<b>Part No.</b>	<b>Description</b>	<b>Dimension</b>	<b>Quantity</b>	<b>Conditions</b>
1	<b>00 1166 970 0</b>	PISTON-LINER		4	
2	<b>00 1146 460 0</b>	SEALING RING SET		4	
3	<b>00 1164 944 0</b>	SET OF PISTON RINGS		4	
4	<b>00 1167 613 0</b>	SHAFT		4	
5	<b>60 0501 281 4</b>	INNER CIRCLIP		8	
6	<b>00 1145 889 0</b>	SCREW		4	
7	<b>00 1145 888 0</b>	NOZZLE		4	
8	<b>60 0501 281 5</b>	ADJUSTING DISC		4	1)
8	<b>60 0501 281 6</b>	ADJUSTING DISC		4	2)
<b>1)</b>	<b>Remarks</b>		[SR] EP 0.05MM		
<b>2)</b>	<b>Remarks</b>		[SR] EP 0.10MM		



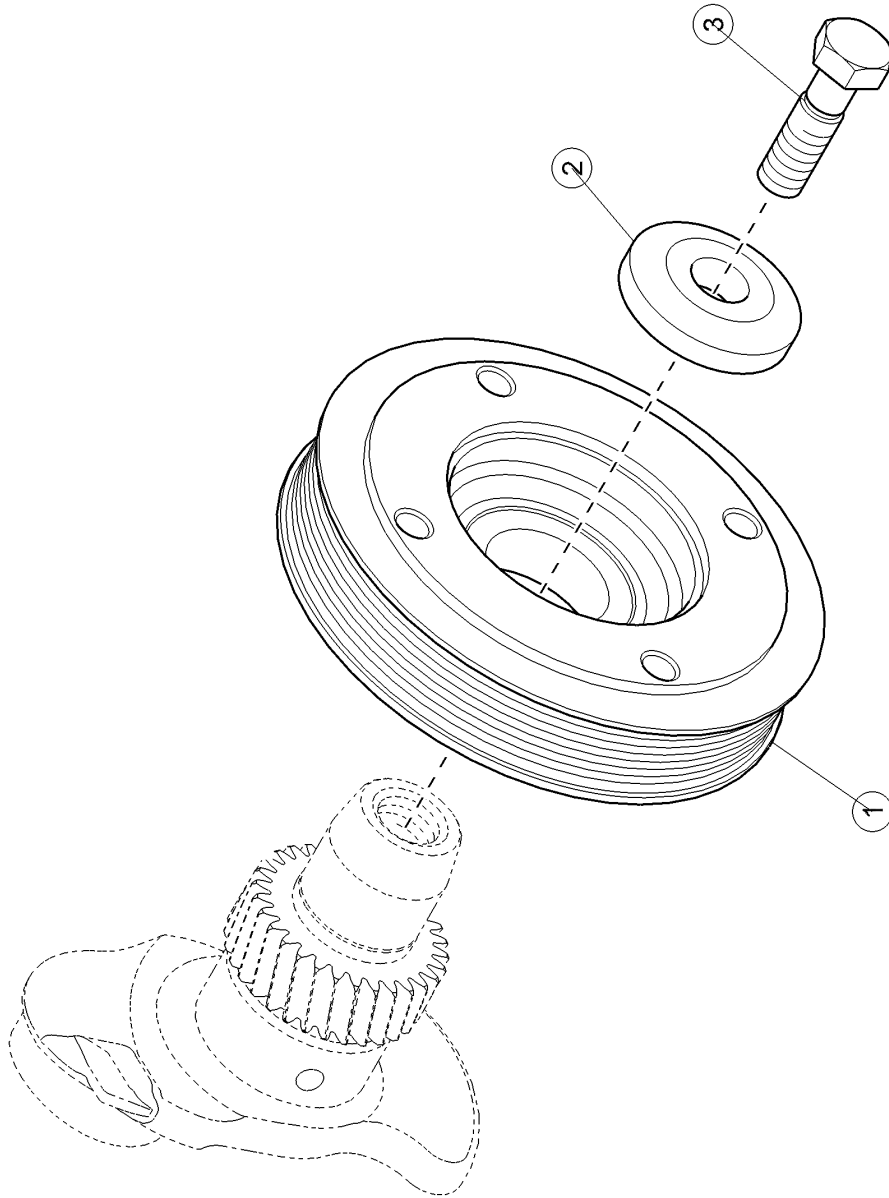
**120 CONNECTING ROD, CONNECTING ROD BEARINGS**

<b>Pos.</b>	<b>Part No.</b>	<b>Description</b>	<b>Dimension</b>	<b>Quantity</b>	<b>Conditions</b>
1	<b>60 0502 453 6</b>	CONNECTING ROD		4	
2	<b>60 0502 147 6</b>	RING		4	
3	<b>60 0502 453 7</b>	SCREW	12 PTS M12 X 1,25 - 61	8	
4	<b>60 0502 147 8</b>	BEARING		4	1)
4	<b>60 0502 147 9</b>	BEARING		4	2)
<b>1)</b>	<b>Remarks</b>		Standard		
<b>2)</b>	<b>Remarks</b>		-0.254MM		



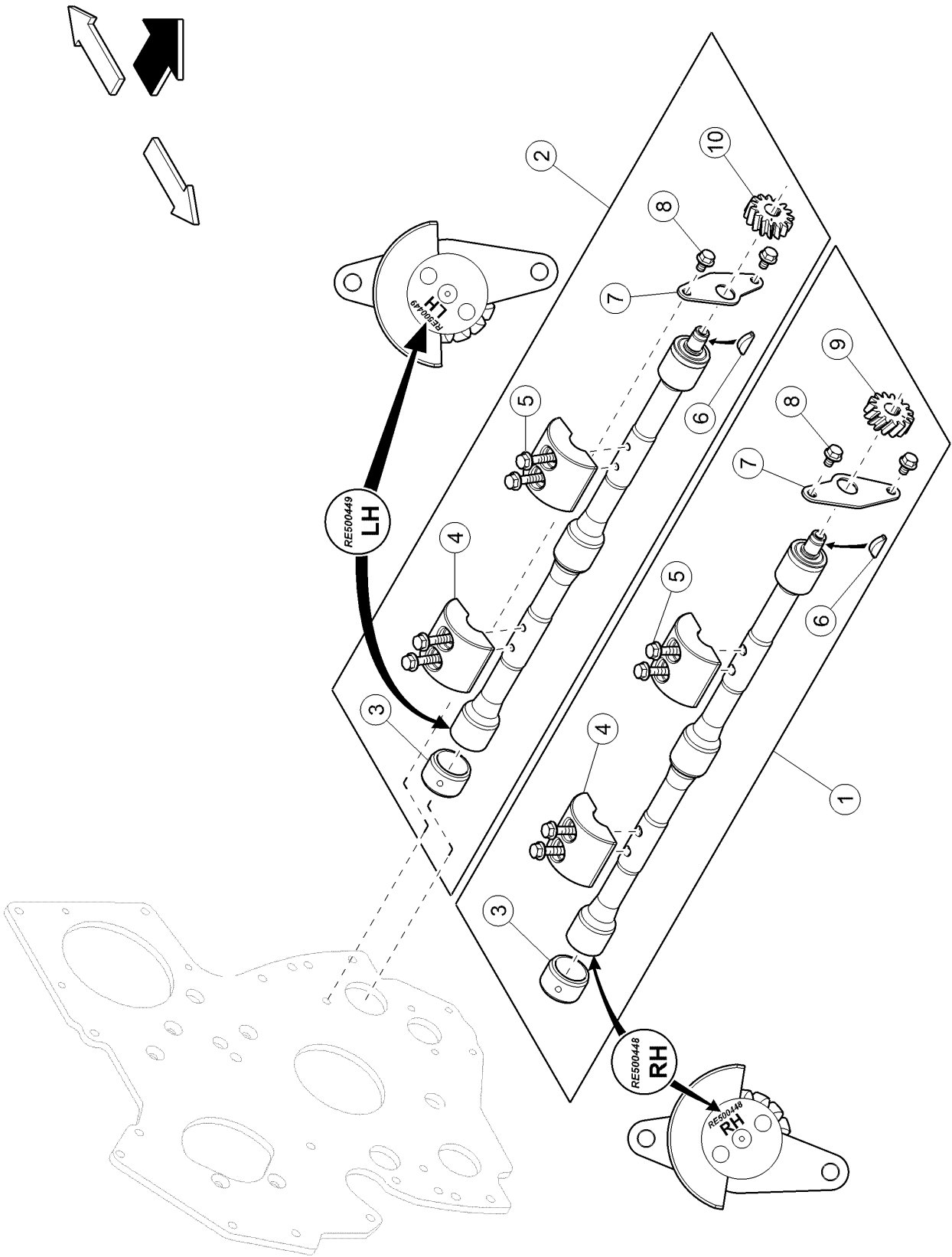
**140 CRANKSHAFT**

<b>Pos.</b>	<b>Part No.</b>	<b>Description</b>	<b>Dimension</b>	<b>Quantity</b>	<b>Conditions</b>
1	<b>00 1145 892 0</b>	CRANKSHAFT		1	
2	<b>60 0502 148 5</b>	WHEEL		1	
3	<b>60 0502 869 7</b>	KEY		1	
4	<b>60 0501 317 4</b>	CENTRING PIN		1	
5	<b>60 0502 148 3</b>	BEARING		4	1)
5	<b>60 0502 148 4</b>	BEARING		4	2)
6	<b>60 0502 148 1</b>	BEARING		1	1)
6	<b>60 0502 148 2</b>	BEARING		1	2)
7	<b>00 1164 945 0</b>	STD SCREW		6	
<b>1)</b>	<b>Remarks</b>		Standard		
<b>2)</b>	<b>Remarks</b>		-0.254MM		



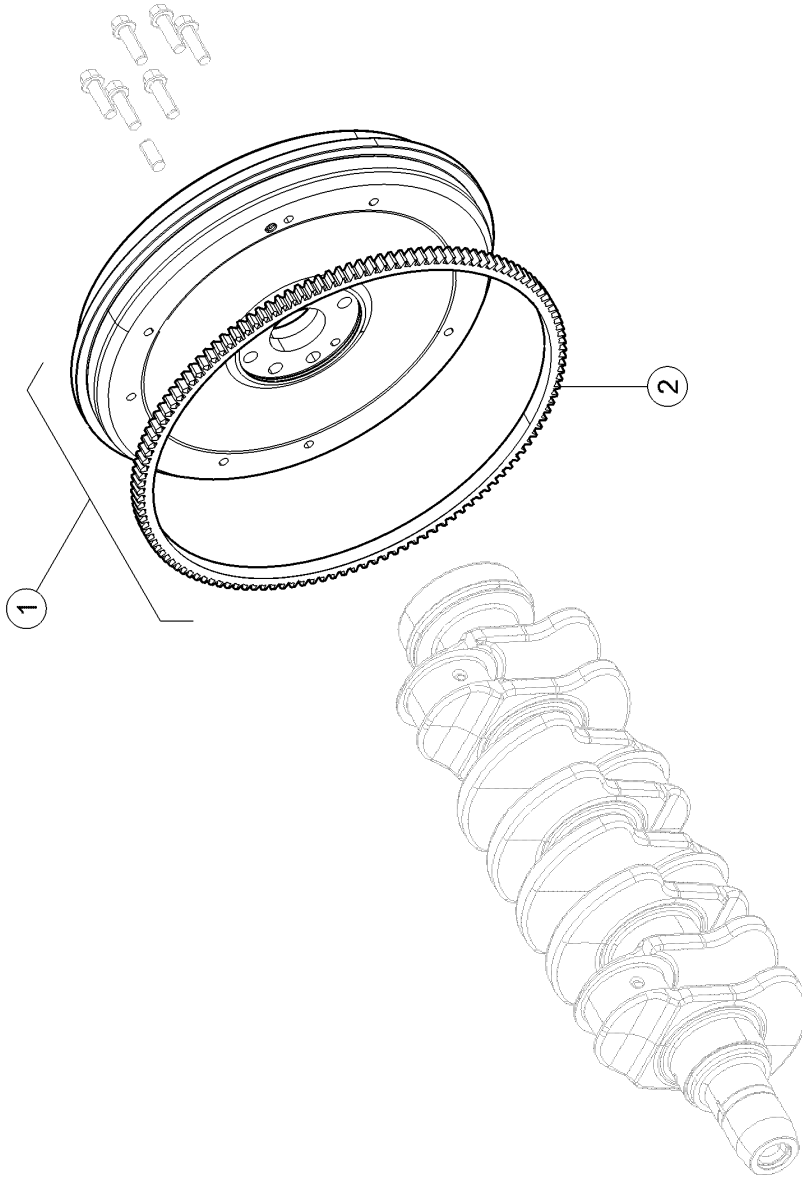
**160 CRANKSHAFT PULLEY WHEEL**

<b>Pos.</b>	<b>Part No.</b>	<b>Description</b>	<b>Dimension</b>	<b>Quantity</b>	<b>Conditions</b>
1	<b>00 1172 566 0</b>	CRANKSHAFT PULLEY		1	
2	<b>60 0503 091 1</b>	WASHER		1	
3	<b>60 0502 866 8</b>	SCREW	M20X70	1	



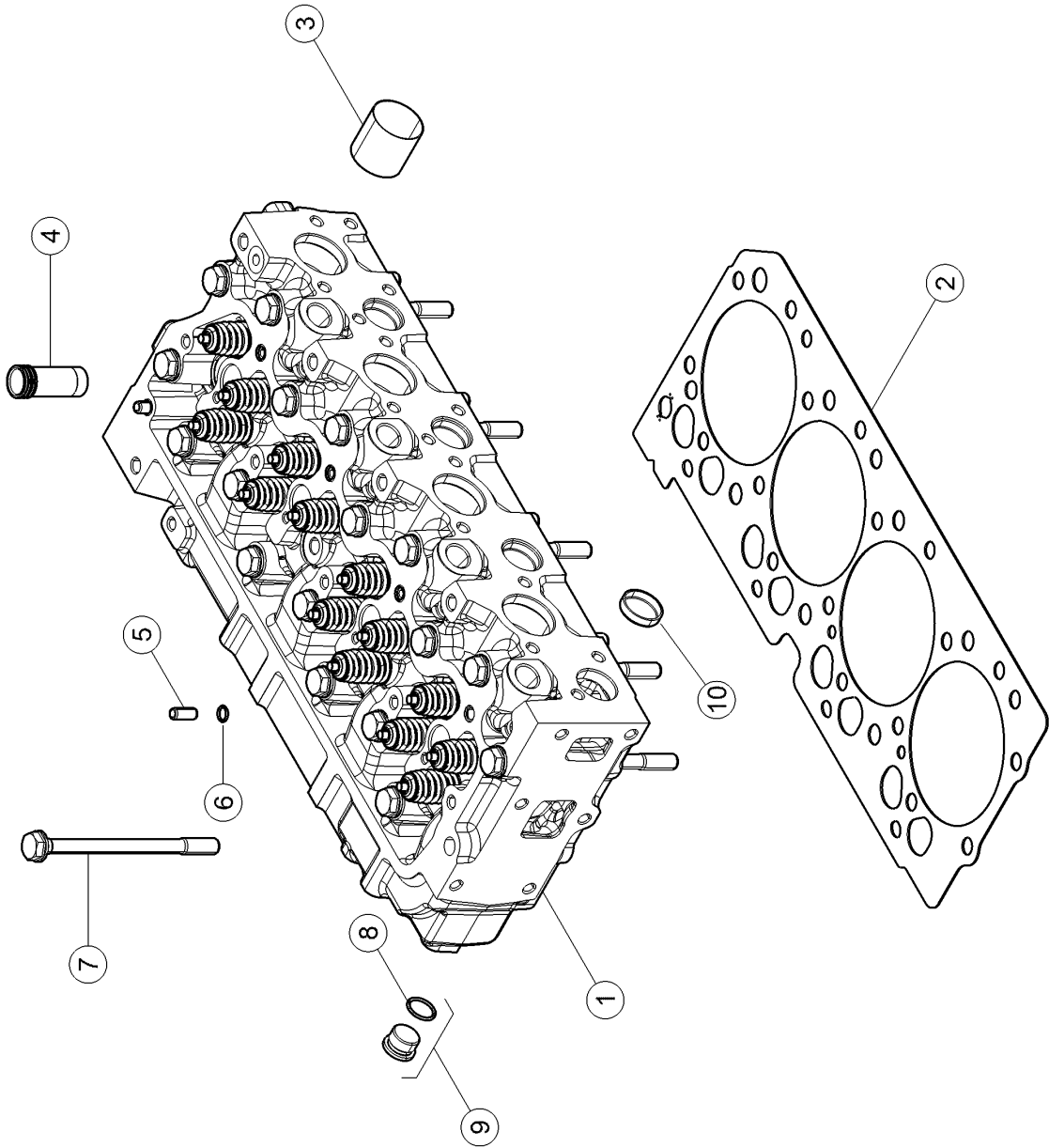
**200 MASS BALANCING**

<b>Pos.</b>	<b>Part No.</b>	<b>Description</b>	<b>Dimension</b>	<b>Quantity</b>	<b>Conditions</b>
1	<b>60 0502 594 0</b>	SHAFT		1	
2	<b>60 0502 594 1</b>	SHAFT		1	
3	<b>60 0502 593 1</b>	RING		6	
4	<b>60 0502 594 6</b>	FLYWEIGHT		4	
5	<b>60 0502 144 5</b>	SCREW	M8X45	8	
6	<b>60 0502 151 0</b>	KEY		2	
7	<b>60 0502 594 4</b>	PLATE		2	
8	<b>60 0502 594 5</b>	SCREW		4	
9	<b>60 0502 594 2</b>	WHEEL		1	
10	<b>60 0502 594 3</b>	WHEEL		1	



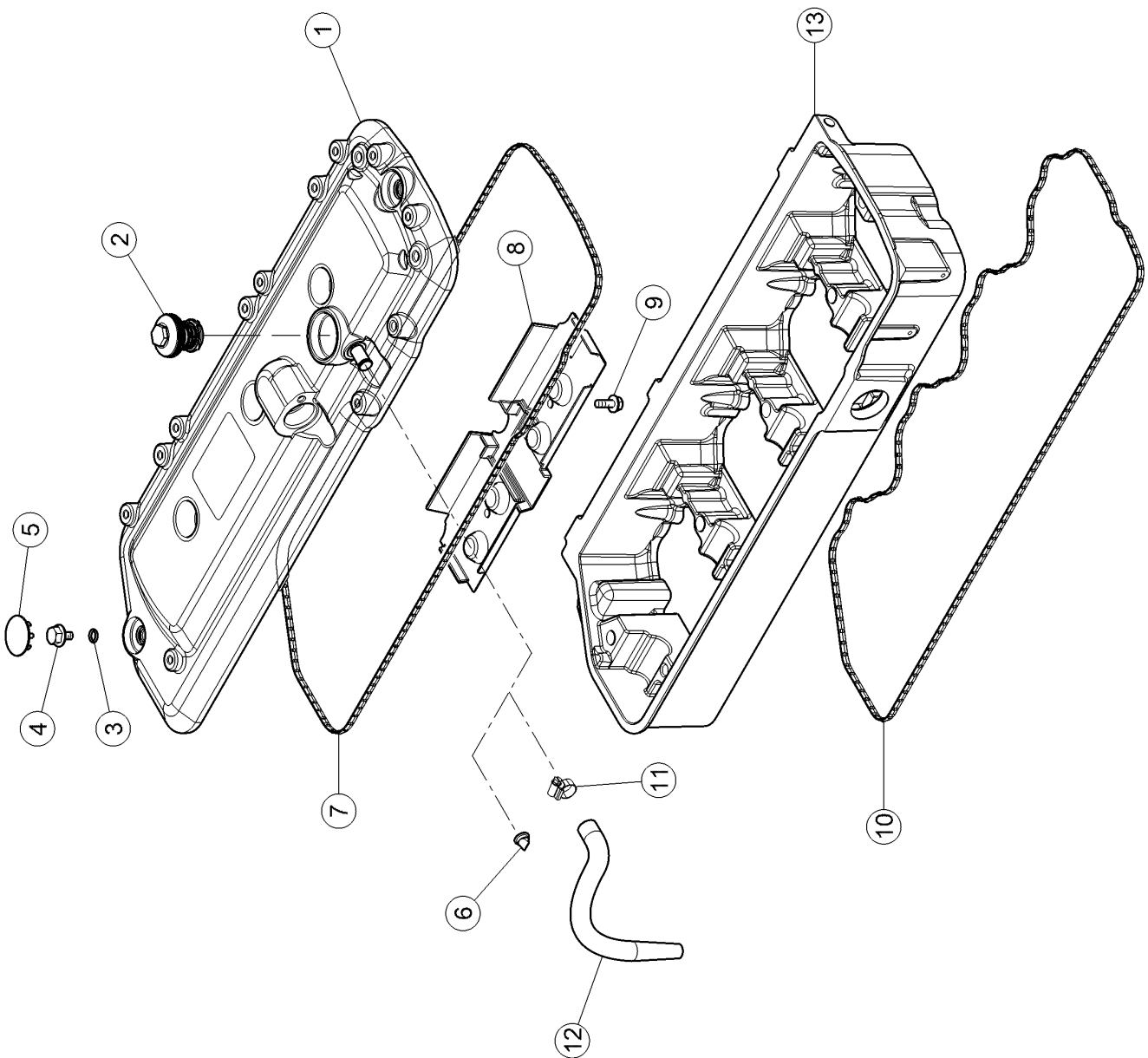
**220 FLYWHEEL**

<b>Pos.</b>	<b>Part No.</b>	<b>Description</b>	<b>Dimension</b>	<b>Quantity</b>	<b>Conditions</b>
1	<b>00 1161 407 0</b>	FLYWHEEL		1	
2	<b>77 0004 531 5</b>	TOOTHED RIM		1	



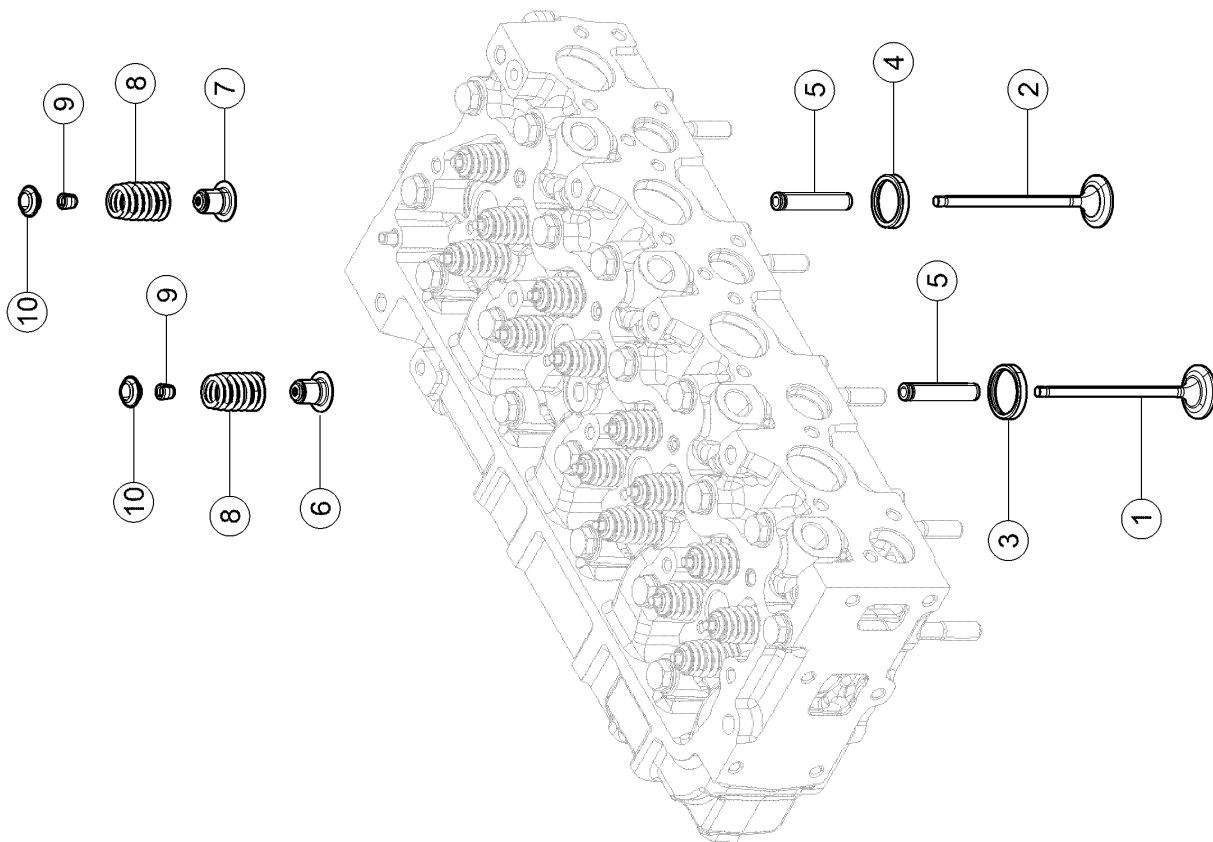
**100 CYLINDER HEAD**

<b>Pos.</b>	<b>Part No.</b>	<b>Description</b>	<b>Dimension</b>	<b>Quantity</b>	<b>Conditions</b>
1	<b>00 1166 502 0</b>	CYLINDER HEAD		1	
2	<b>00 1145 358 0</b>	CYLINDER HEAD GASKET		1	
3	<b>00 1145 915 0</b>	SLEEVE		4	
4	<b>00 1142 367 0</b>	LINER		4	
5	<b>00 1145 916 0</b>	RING		2	
6	<b>77 0103 099 4</b>	O-RING		2	
7	<b>00 1161 409 0</b>	SCREW		18	
8	<b>60 0502 160 4</b>	O-RING	19X2.4	1	
9	<b>00 1145 914 0</b>	BLANKING COVER		1	
10	<b>60 0501 288 3</b>	LOCK		5	



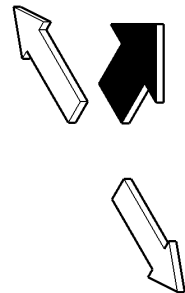
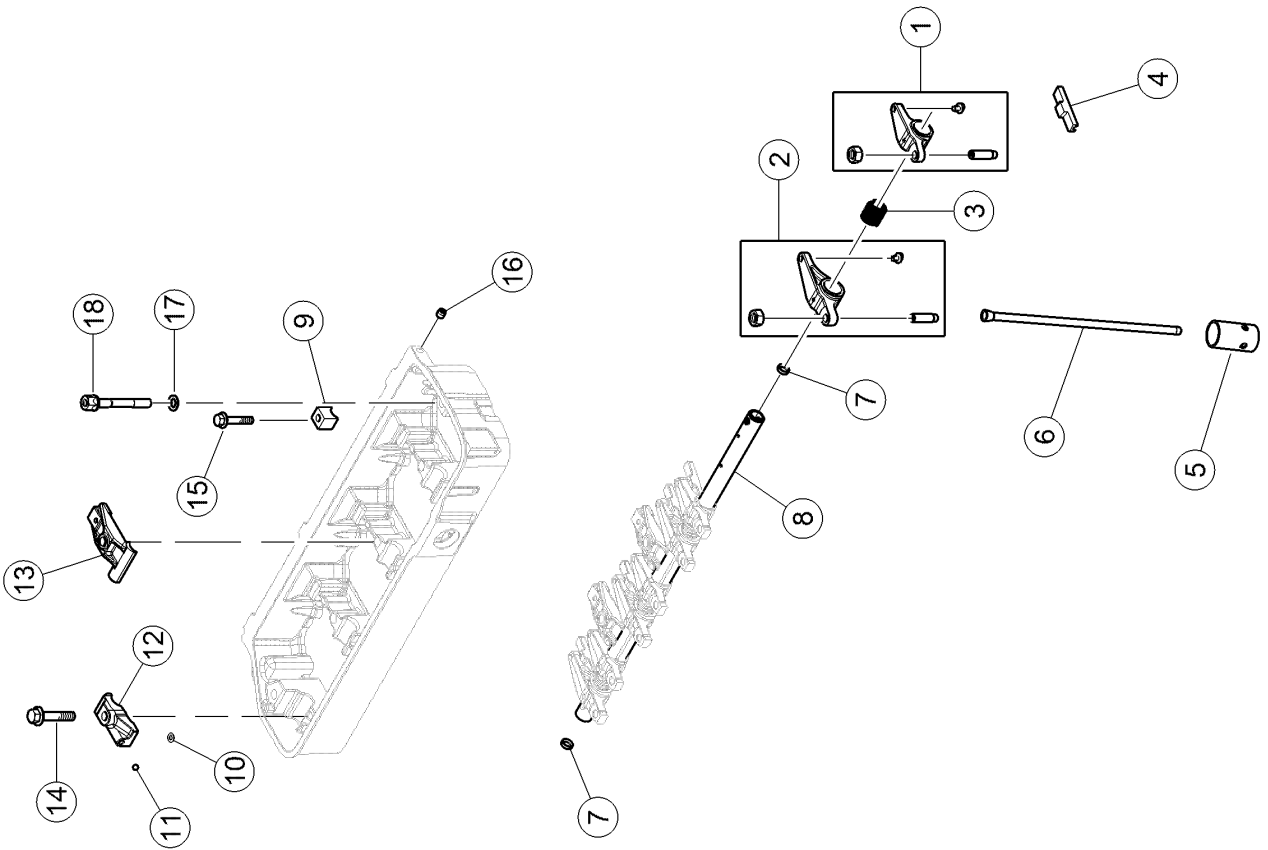
**120 CYLINDER HEAD COVER**

<b>Pos.</b>	<b>Part No.</b>	<b>Description</b>	<b>Dimension</b>	<b>Quantity</b>	<b>Conditions</b>
1	<b>00 1153 352 0</b>	ROCKER COVER		1	
2	<b>00 1145 919 0</b>	PLUG		1	
3	<b>00 0219 147 0</b>	O-RING	7,59X2,62-N	5	
4	<b>00 1145 920 0</b>	PLUG		5	
5	<b>60 0502 134 4</b>	PLUG		5	
6	<b>00 1145 921 0</b>	VALVE		1	
7	<b>00 1135 008 0</b>	GASKET		1	
8	<b>00 1132 508 0</b>	DEFLECTOR		1	
9	<b>60 0502 144 8</b>	SCREW	M6X16	2	
10	<b>00 1148 710 0</b>	SEALING RING		1	
11	<b>60 0500 348 1</b>	CLAMP	A 020-32X9 W2	1	
12	<b>00 1153 353 0</b>	PIPE		1	
13	<b>00 1166 807 0</b>	CASING		1	



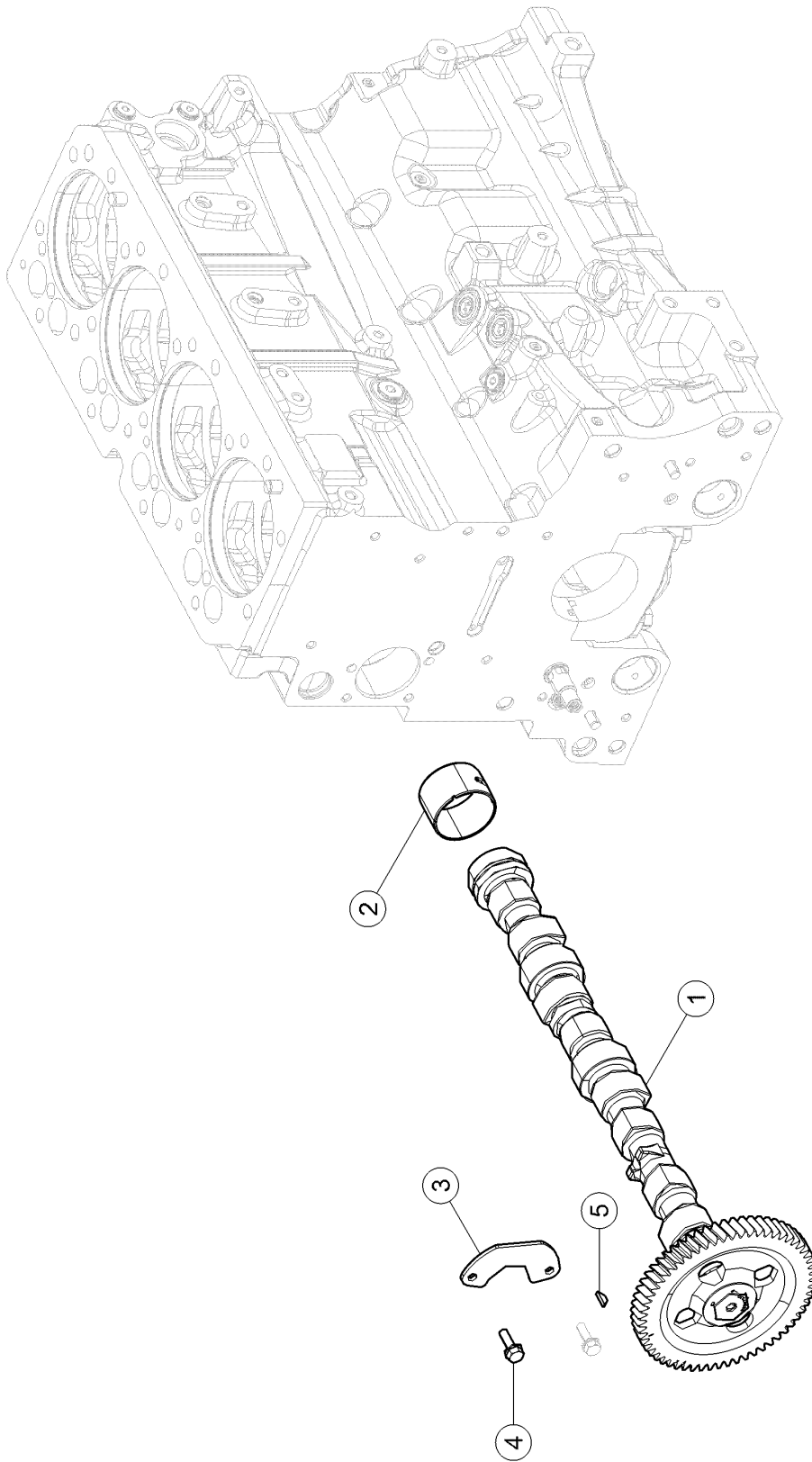
**140 VALVES**

<b>Pos.</b>	<b>Part No.</b>	<b>Description</b>	<b>Dimension</b>	<b>Quantity</b>	<b>Conditions</b>
1	<b>00 1146 483 0</b>	VALVE		8	1)
2	<b>00 1145 923 0</b>	VALVE		8	2)
3	<b>00 1132 514 0</b>	VALVE SEAT		8	
4	<b>00 1132 513 0</b>	VALVE SEAT		8	
5	<b>00 1152 441 0</b>	GUIDE		16	
6	<b>00 1169 342 0</b>	LIP SEAL		8	
7	<b>00 1169 343 0</b>	LIP SEAL		8	
8	<b>00 1161 410 0</b>	SPRING		16	
9	<b>00 1148 631 0</b>	HALF-CONE		32	
10	<b>00 1132 518 0</b>	WASHER		16	
<hr/>					
<b>1)</b>	<b>Remarks</b>		Adm.		
<hr/>					
<b>2)</b>	<b>Remarks</b>		Echapt		
<hr/>					



**160 ROCKER ARM**

<b>Pos.</b>	<b>Part No.</b>	<b>Description</b>	<b>Dimension</b>	<b>Quantity</b>	<b>Conditions</b>
1	<b>00 1165 757 0</b>	ROCKER ARM		4	
2	<b>00 1132 528 0</b>	ROCKER ARM		4	
3	<b>00 1132 530 0</b>	SPRING		4	
4	<b>00 1132 537 1</b>	TIPPER		8	
5	<b>00 1161 548 0</b>	PUSHROD		8	
6	<b>00 1166 976 0</b>	ROD		8	
7	<b>00 1132 534 0</b>	PLUG		2	
8	<b>00 1135 005 0</b>	SHAFT		1	
9	<b>00 1132 533 0</b>	FLANGE		1	
10	<b>00 1145 929 0</b>	O-RING		1	
11	<b>00 1145 930 0</b>	BALL		1	
12	<b>00 1132 524 0</b>	FLANGE		1	
13	<b>00 1145 931 0</b>	FLANGE		3	
14	<b>00 1145 932 0</b>	SCREW	M10X50	1	
15	<b>00 1145 933 0</b>	SCREW		1	
16	<b>00 1145 934 0</b>	PLUG		2	
17	<b>60 0501 278 2</b>	WASHER		5	
18	<b>00 1132 536 0</b>	SCREW		5	





**Suggest:**

**For more complete manuals. Please go to the home page.**

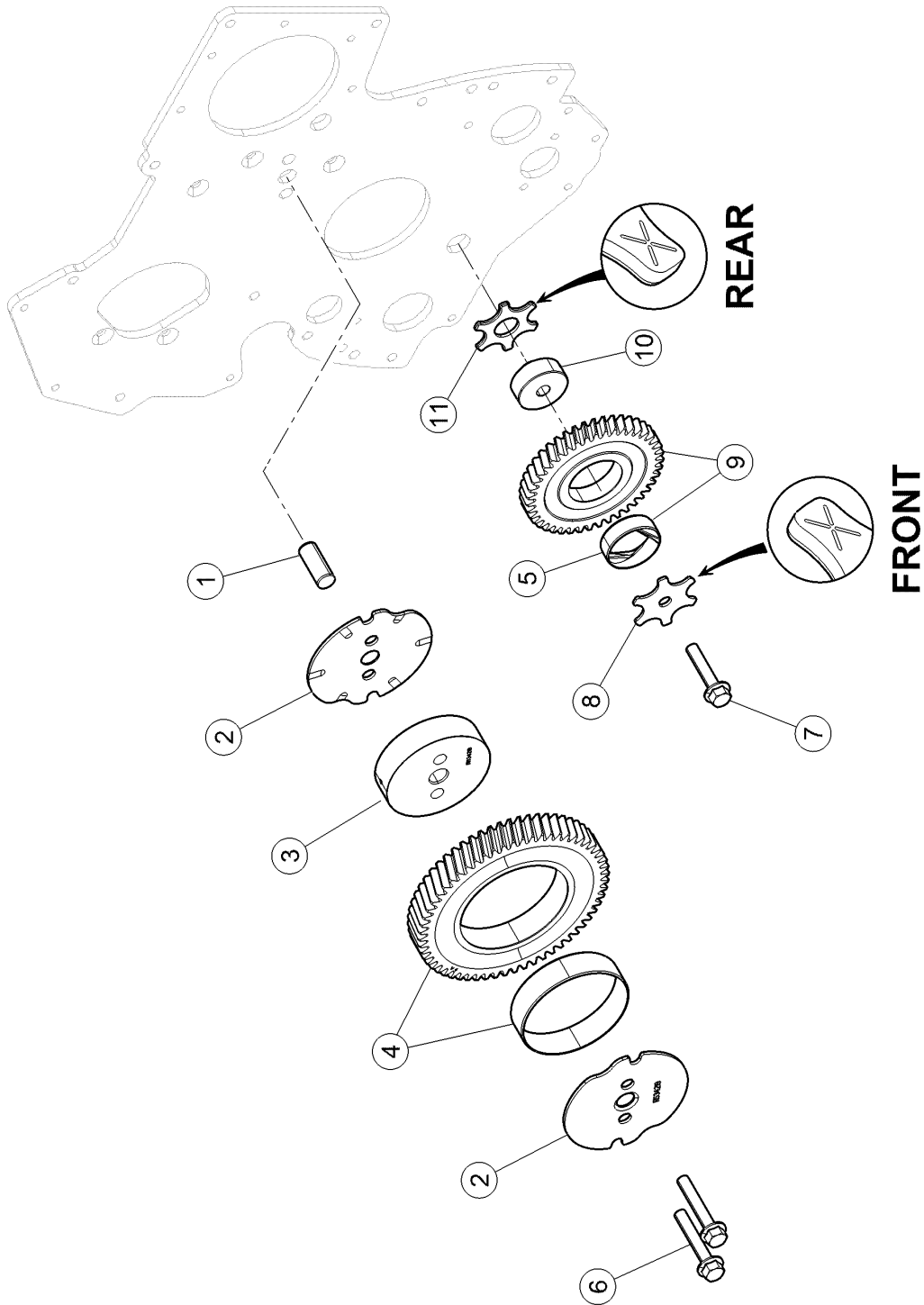
**<https://www.ebooklibonline.com>**

**If the above button click is invalid. Please download this document first, and then click the above link to download the complete manual.**

**Thank you so much for reading**

**180 CAMSHAFT, CAMSHAFT BEARING BUSHES**

<b>Pos.</b>	<b>Part No.</b>	<b>Description</b>	<b>Dimension</b>	<b>Quantity</b>	<b>Conditions</b>
1	<b>00 1161 411 0</b>	CAMSHAFT		1	
2	<b>60 0501 294 1</b>	BEARING		1	
3	<b>60 0502 151 1</b>	PLATE		1	
4	<b>60 0502 145 6</b>	SCREW	M8X25	2	
5	<b>60 0502 151 0</b>	KEY		1	



**<https://www.ebooklibonline.com>**

Hello dear friend!

Thank you very much for reading.

Enter the link into your browser.

The full manual is available for immediate download.

**<https://www.ebooklibonline.com>**