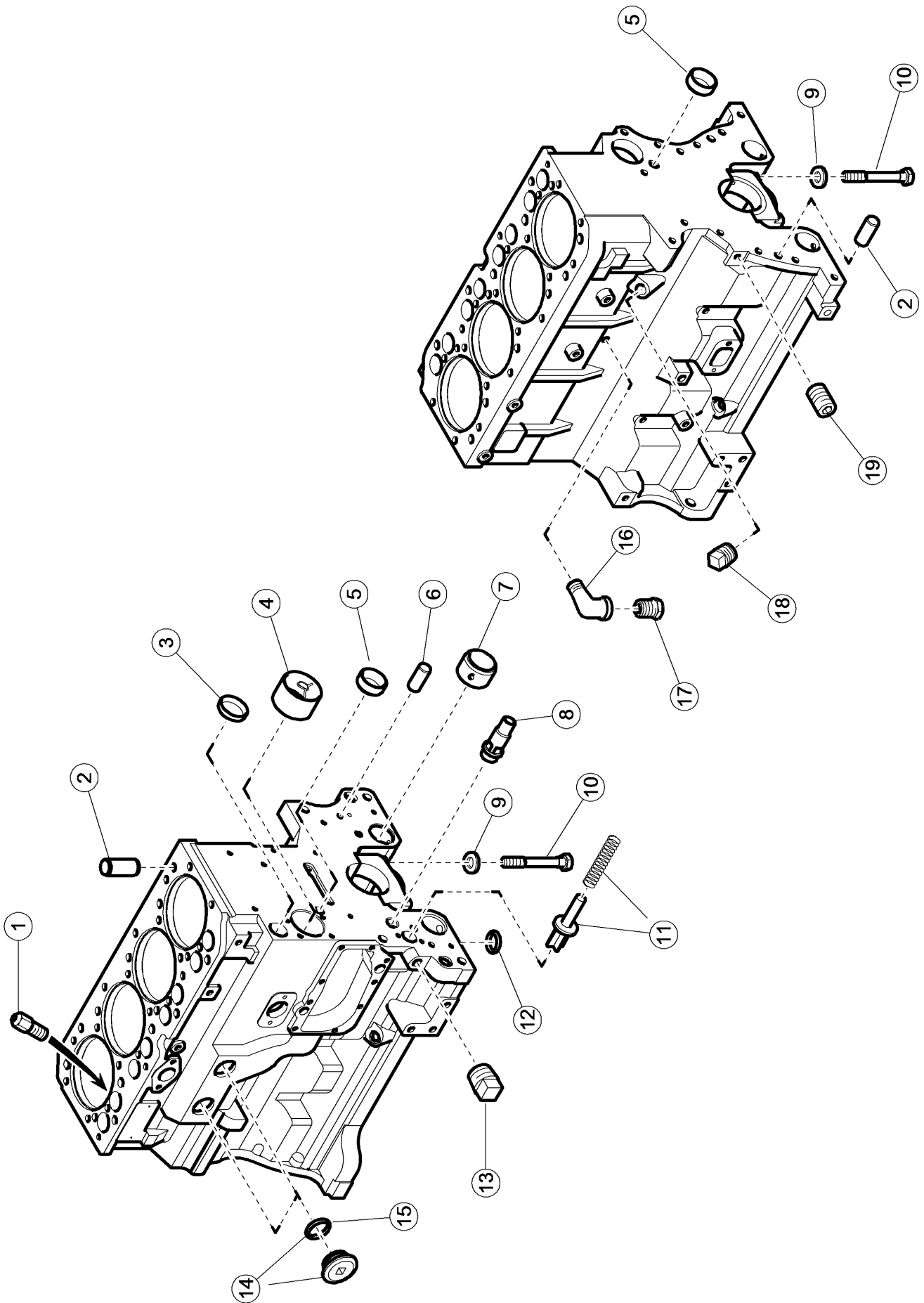


**010 COMPLETE ENGINE**

<b>Pos.</b>	<b>Part No.</b>	<b>Description</b>	<b>Dimension</b>	<b>Quantity</b>	<b>Conditions</b>
1	<b>00 1106 730 0</b>	ENGINE		1	1)
1	<b>00 1106 731 0</b>	ENGINE		1	2)
1	<b>00 1106 732 0</b>	ENGINE		1	3)
1	<b>00 1106 733 0</b>	ENGINE	115 KW	1	4)
<b>1)</b>	<b>Homologationtype</b>				+ 1804
<b>2)</b>	<b>Homologationtype</b>				+ 1814
<b>3)</b>	<b>Homologationtype</b>				+ 1824
<b>4)</b>	<b>Homologationtype</b>				+ 1834



**<https://www.ebooklibonline.com>**

Hello dear friend!

Thank you very much for reading.

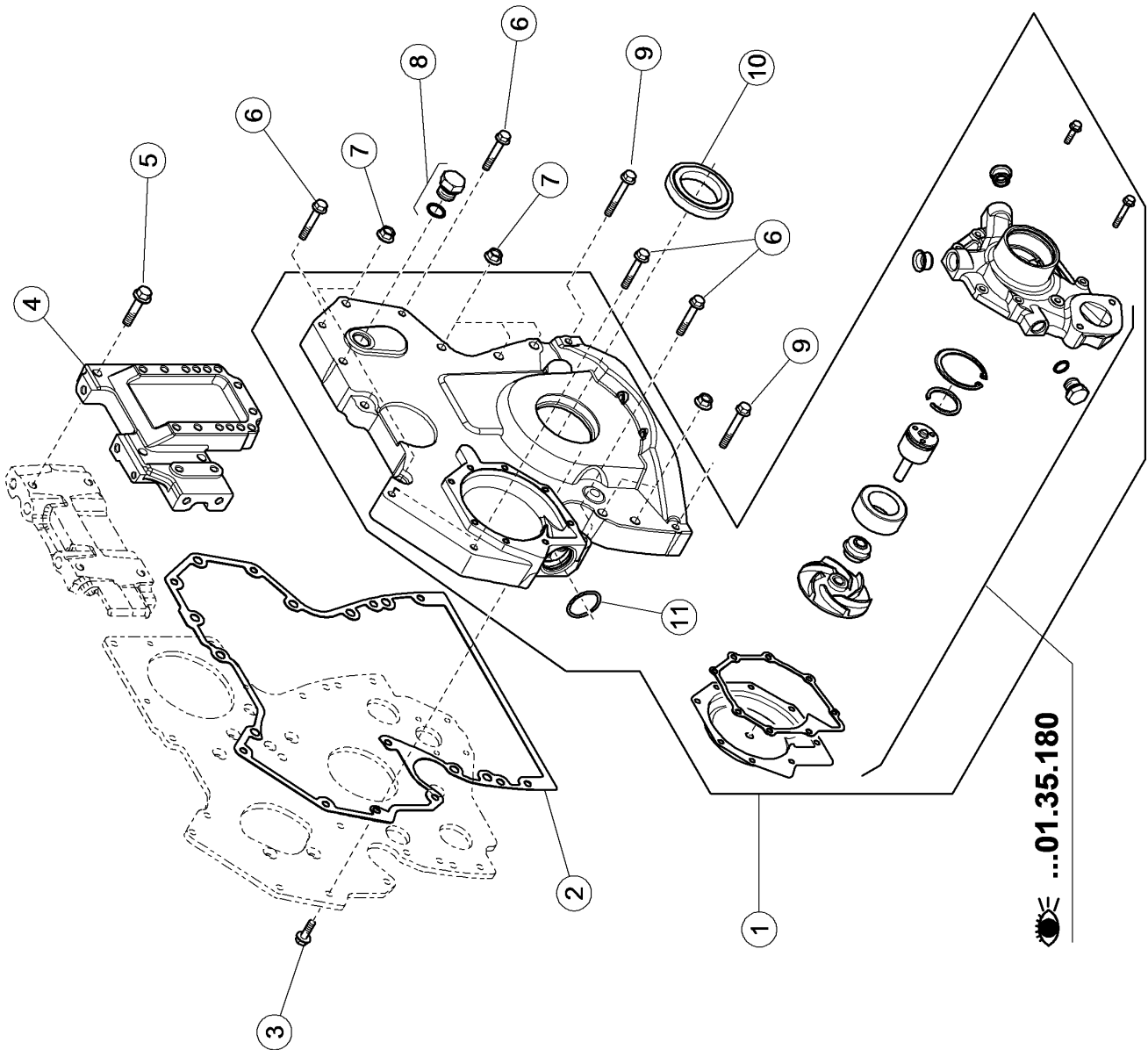
Enter the link into your browser.

The full manual is available for immediate download.

**<https://www.ebooklibonline.com>**

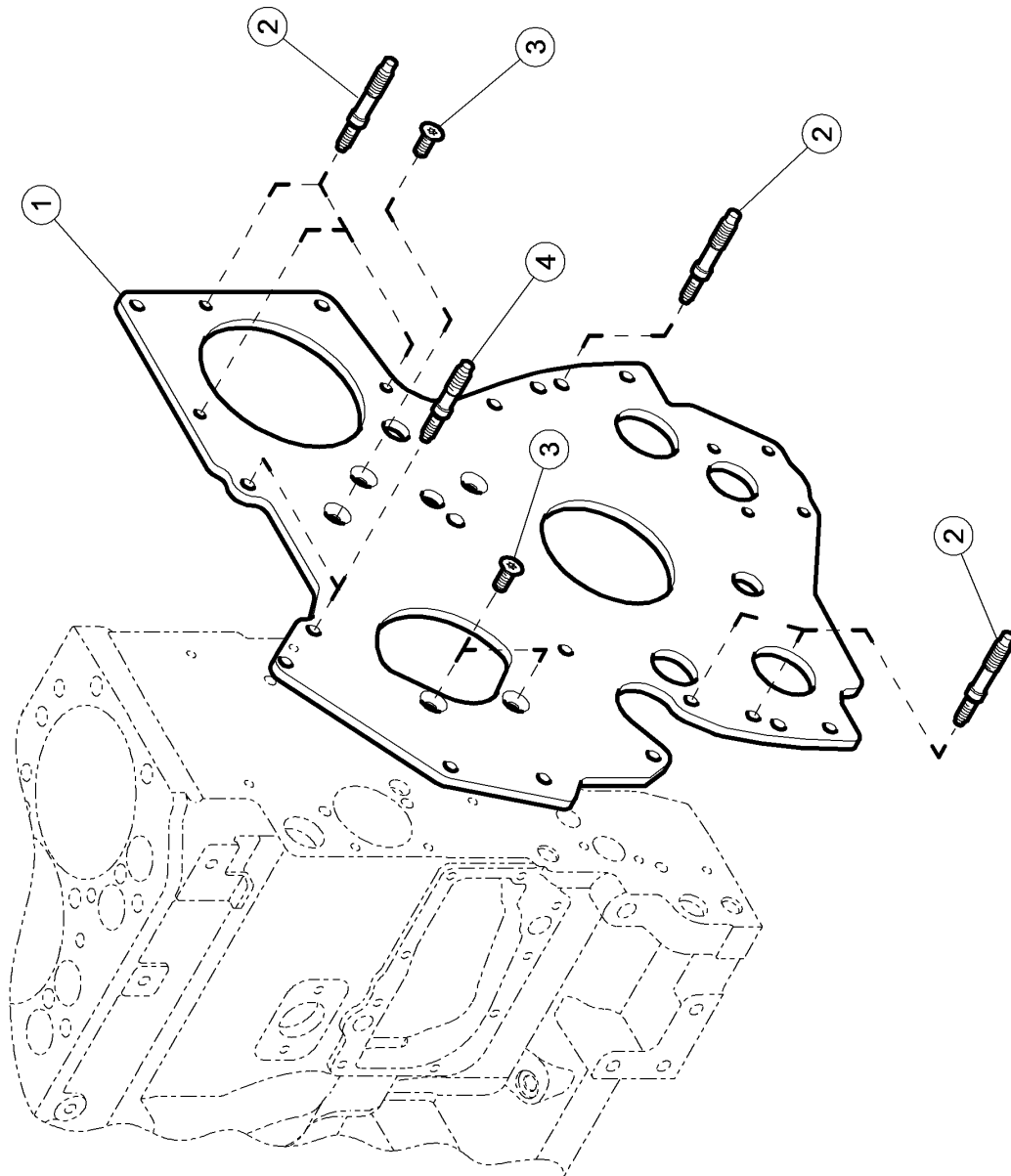
**100 CRANKCASE**

<b>Pos.</b>	<b>Part No.</b>	<b>Description</b>	<b>Dimension</b>	<b>Quantity</b>	<b>Conditions</b>
1	<b>60 0502 143 6</b>	SPRAY NOZZLE		4	
2	<b>60 0501 317 4</b>	CENTRING PIN		4	
3	<b>60 0502 143 9</b>	BLANKING COVER		1	
4	<b>60 0501 294 1</b>	BEARING		1	
5	<b>60 0501 319 8</b>	BLANKING COVER		2	
6	<b>60 0501 319 6</b>	CENTRING PIN		2	
7	<b>60 0502 593 1</b>	RING		6	
8	<b>60 0502 869 1</b>	VALVE		1	
9	<b>60 0502 143 7</b>	WASHER	13X22X2,5	10	
10	<b>00 1146 931 0</b>	SET OF SCREWS		10	
11	<b>60 0501 402 9</b>	VALVE		1	
12	<b>60 0501 320 3</b>	O-RING		1	
13	<b>60 0501 597 1</b>	LOCK		1	
14	<b>60 0502 905 2</b>	PLUG		1	
15	<b>60 0501 938 3</b>	O-RING		1	
16	<b>00 1166 444 0</b>	ELBOW CONNECTOR		1	
17	<b>60 0502 665 3</b>	PLUG		1	
18	<b>60 0501 321 0</b>	PLUG		1	
19	<b>00 1141 206 0</b>	PLUG		5	



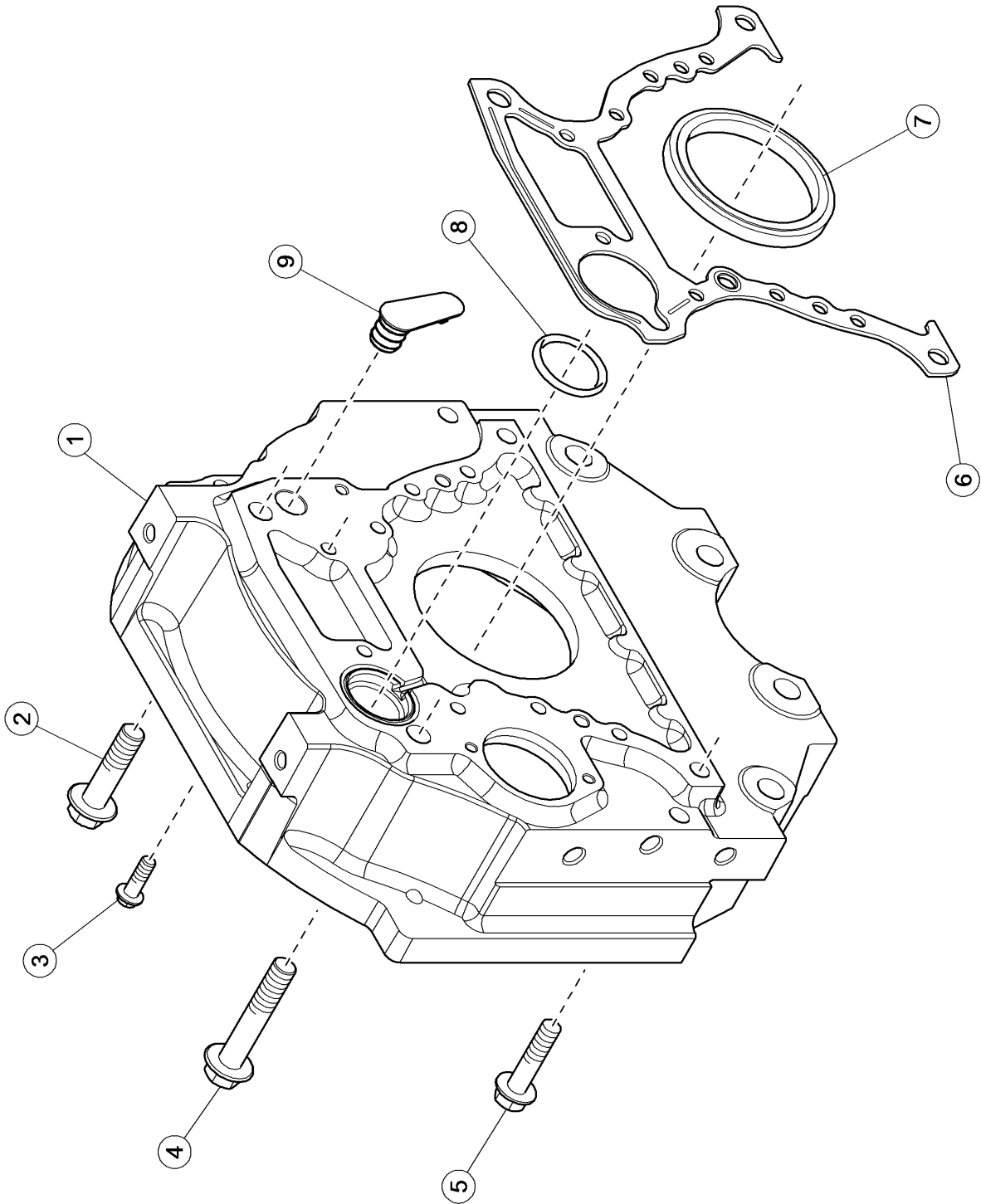
**120 TIMING CASE**

<b>Pos.</b>	<b>Part No.</b>	<b>Description</b>	<b>Dimension</b>	<b>Quantity</b>	<b>Conditions</b>
1	<b>00 1162 415 0</b>	CASING		1	
2	<b>00 1162 416 0</b>	FLAT SEAL		1	
3	<b>60 0502 145 6</b>	SCREW	M8X25	1	
4	<b>00 1132 471 0</b>	SUPPORT		4	
5	<b>60 0502 716 2</b>	SCREW	M10X45-LH	4	
6	<b>60 0502 593 6</b>	SCREW	M8X50	5	
7	<b>60 0502 144 9</b>	NUT		9	
8	<b>60 0502 160 3</b>	LOCK	M22X1,5	1	
9	<b>60 0502 145 0</b>	SCREW	M08X60	3	
10	<b>00 1169 885 0</b>	GASKET		1	
11	<b>60 0500 796 4</b>	O-RING	37,69 X 3,53 NBR 80	1	



**120 TIMING CASE**

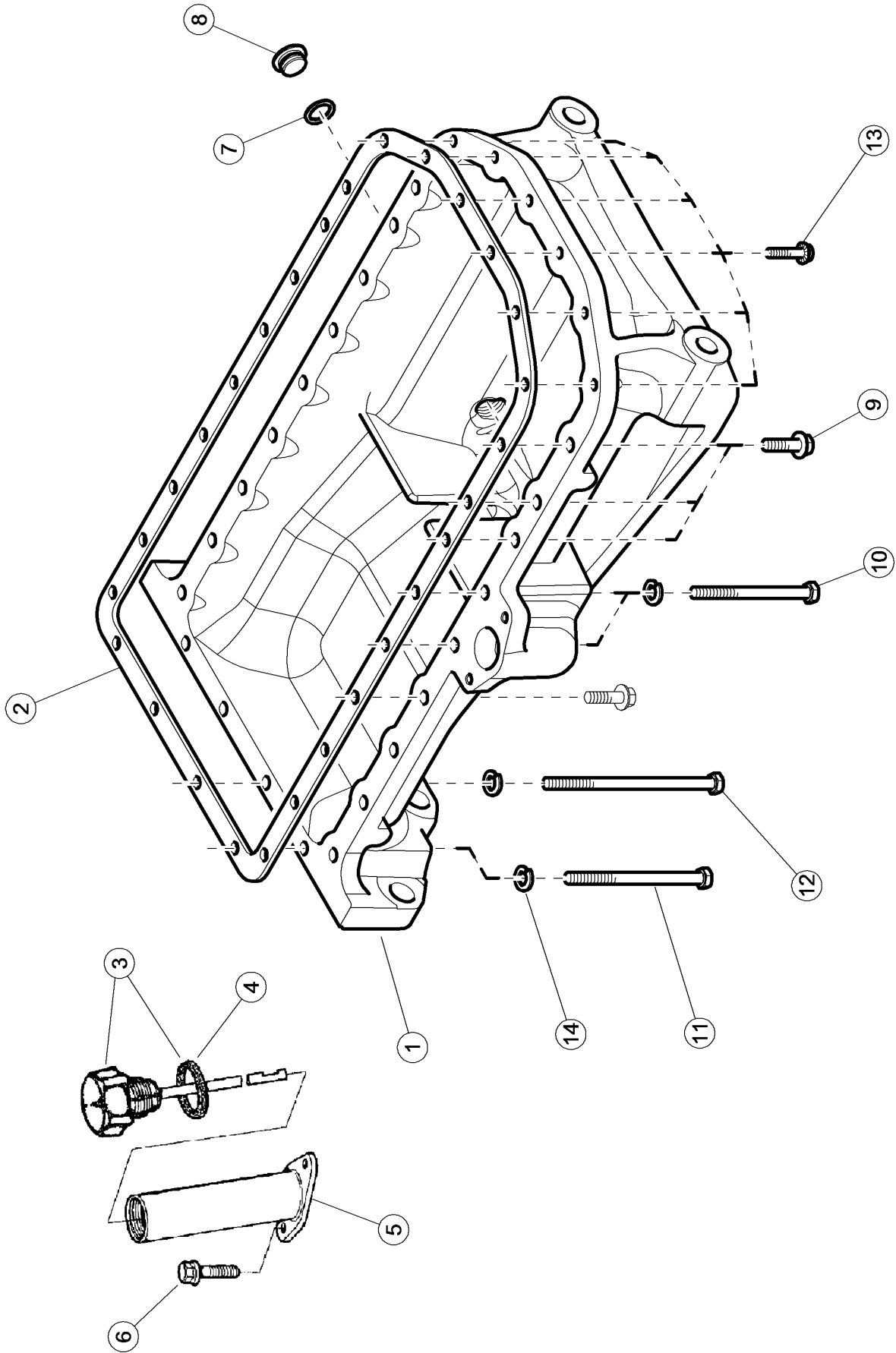
<b>Pos.</b>	<b>Part No.</b>	<b>Description</b>	<b>Dimension</b>	<b>Quantity</b>	<b>Conditions</b>
1	<b>00 1170 801 0</b>	PANEL		1	
2	<b>00 1132 473 0</b>	STUD BOLT		7	
3	<b>60 0502 339 7</b>	SCREW		5	
4	<b>60 0502 339 8</b>	STUD BOLT		2	



**140 FLYWHEEL HOUSING**

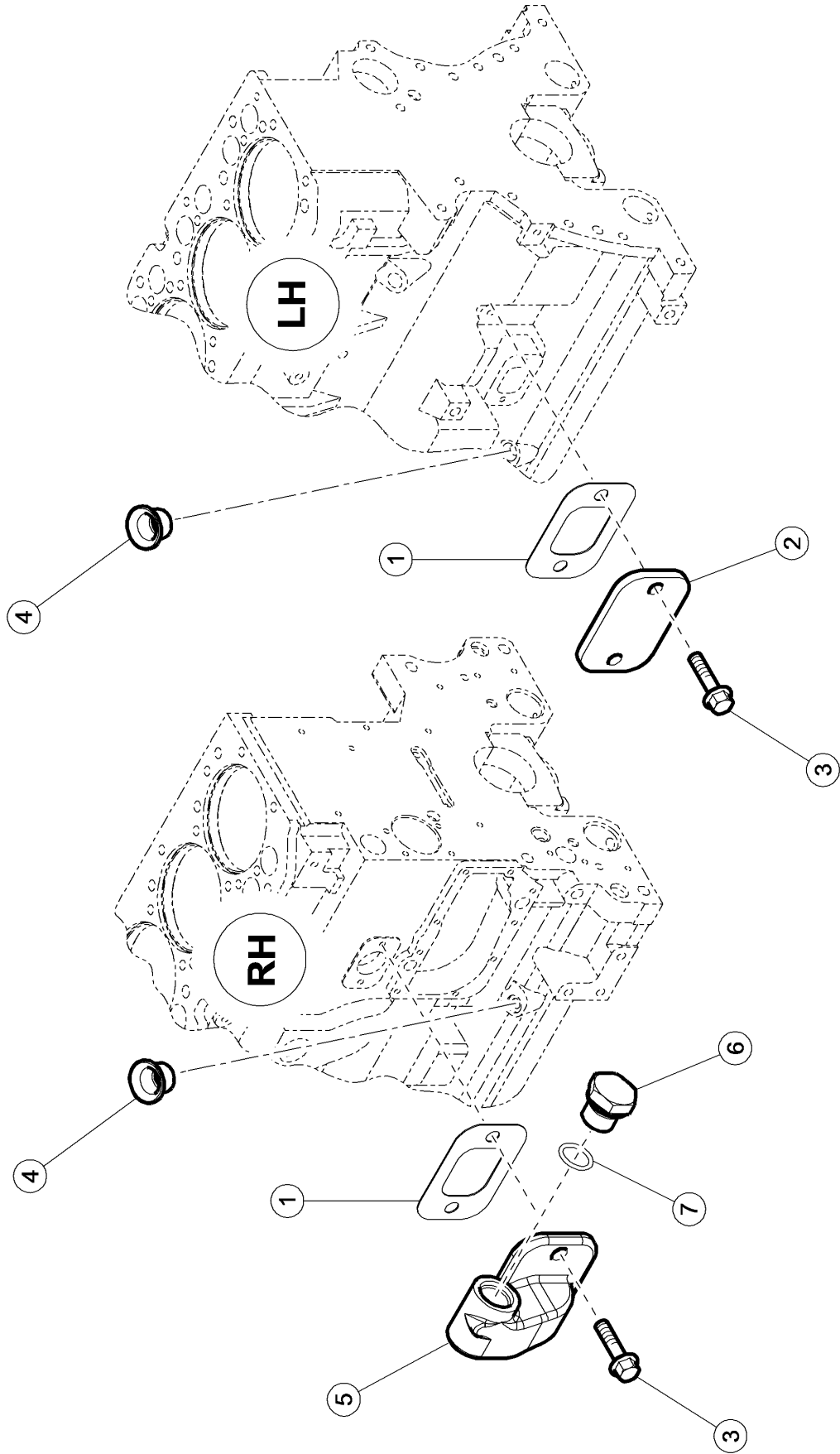
Pos.	Part No.	Description	Dimension	Quantity	Conditions
1	<b>77 0006 967 3</b>	CASING		1	
2	<b>60 0502 146 5</b>	SCREW		1	1)
3	<b>60 0502 625 8</b>	SCREW	12 X 1,75 -37 - M12X40	8	2)
4	<b>60 0502 146 6</b>	SCREW		1	3)
5	<b>60 0502 777 3</b>	SCREW	M16X60	2	
6	<b>77 0005 577 1</b>	GASKET		1	
7	<b>60 0501 279 0</b>	SHAFT SEAL	118X146X15	1	4)
8	<b>60 0501 604 9</b>	O-RING		1	
9	<b>60 0501 278 6</b>	BLANKING COVER		1	

<b>1)</b>	<b>Remarks</b>	M20X250-80
<b>2)</b>	<b>Remarks</b>	M12X175-38
<b>3)</b>	<b>Remarks</b>	M20X250-110
<b>4)</b>	<b>Remarks</b>	118X146X15



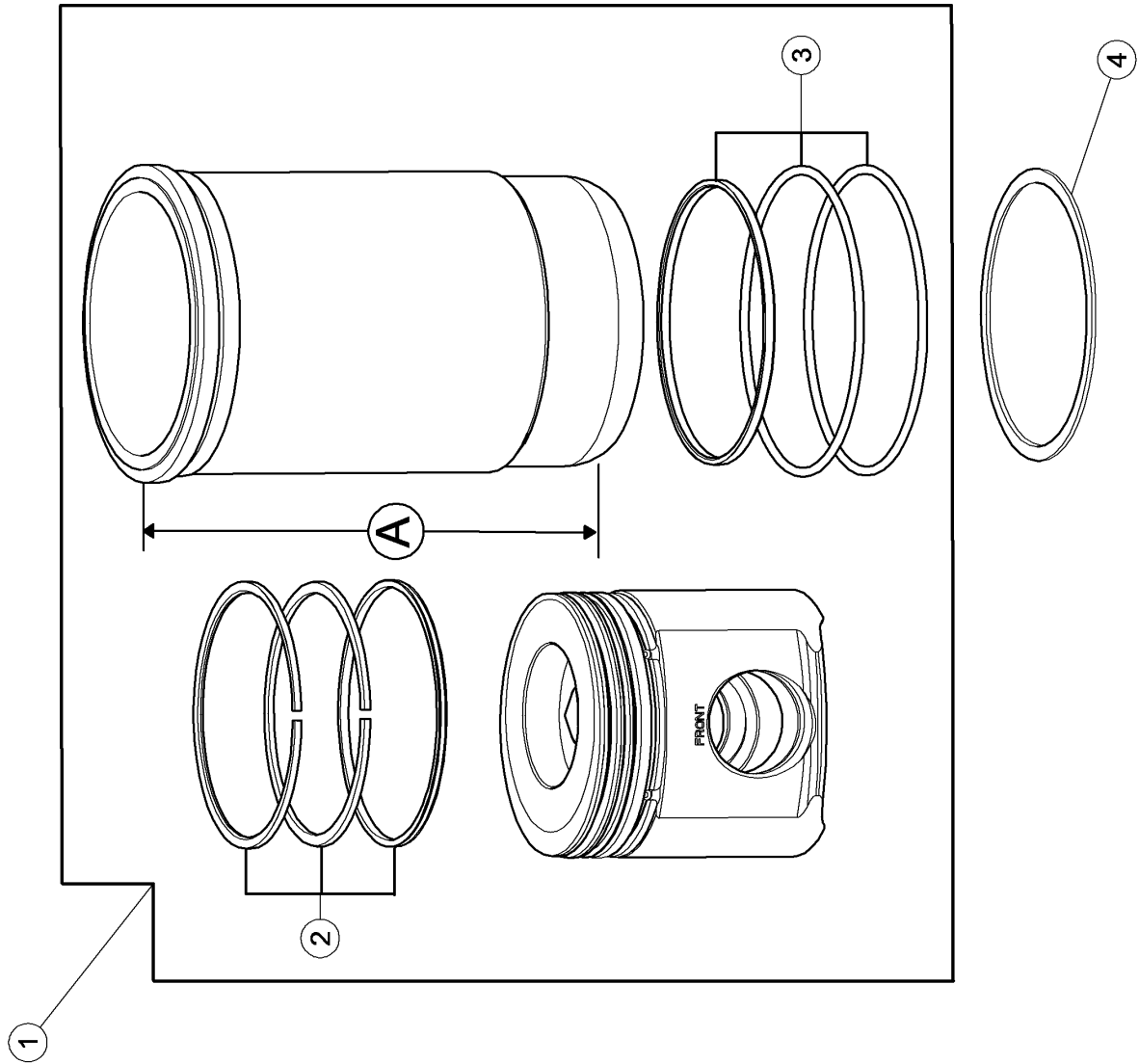
**160 OIL PAN**

<b>Pos.</b>	<b>Part No.</b>	<b>Description</b>	<b>Dimension</b>	<b>Quantity</b>	<b>Conditions</b>
1	<b>60 0502 665 7</b>	OIL SUMP		1	
2	<b>60 0502 625 1</b>	GASKET		1	
3	<b>60 0501 361 0</b>	GAUGE		1	
4	<b>60 0501 334 6</b>	O-RING		1	
5	<b>60 0502 942 0</b>	TUBE		1	
6	<b>60 0502 145 6</b>	SCREW	M8X25	2	
7	<b>60 0501 211 0</b>	GASKET		1	
8	<b>00 1132 240 0</b>	PLUG		1	
9	<b>60 0502 165 4</b>	SCREW	M10X35	16	
10	<b>60 0502 147 1</b>	SCREW		2	
11	<b>77 0310 108 5</b>	HEXAGON HEAD BOLT	M10X140-32	2	
12	<b>77 0102 451 6</b>	SCREW		2	
13	<b>77 0101 759 2</b>	SCREW	M08X35 VERBUS RIPP	6	
14	<b>77 0305 501 3</b>	WASHER	10	6	



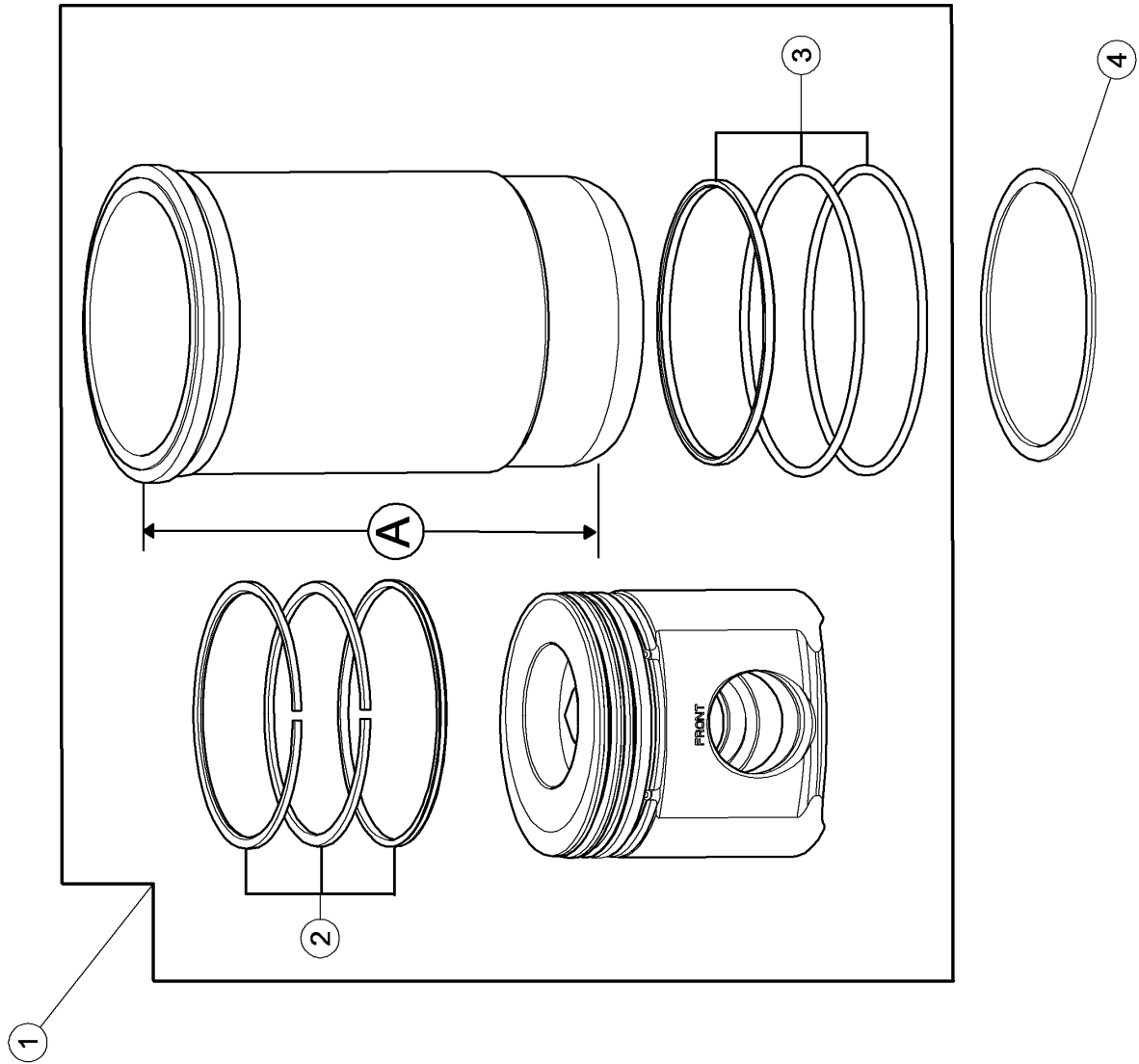
**180 PLUGS**

<b>Pos.</b>	<b>Part No.</b>	<b>Description</b>	<b>Dimension</b>	<b>Quantity</b>	<b>Conditions</b>
1	<b>60 0502 470 4</b>	GASKET		2	
2	<b>60 0502 470 2</b>	PLATE		1	
3	<b>60 0502 149 8</b>	SCREW	M8X20	4	
4	<b>60 0502 662 4</b>	PLUG		2	
5	<b>00 1135 000 0</b>	MANIFOLD		1	
6	<b>60 0502 160 7</b>	PLUG	F-M18X1,5 ERS.D.7700054	1	
7	<b>60 0502 160 8</b>	O-RING	15,3X2,2-N	1	



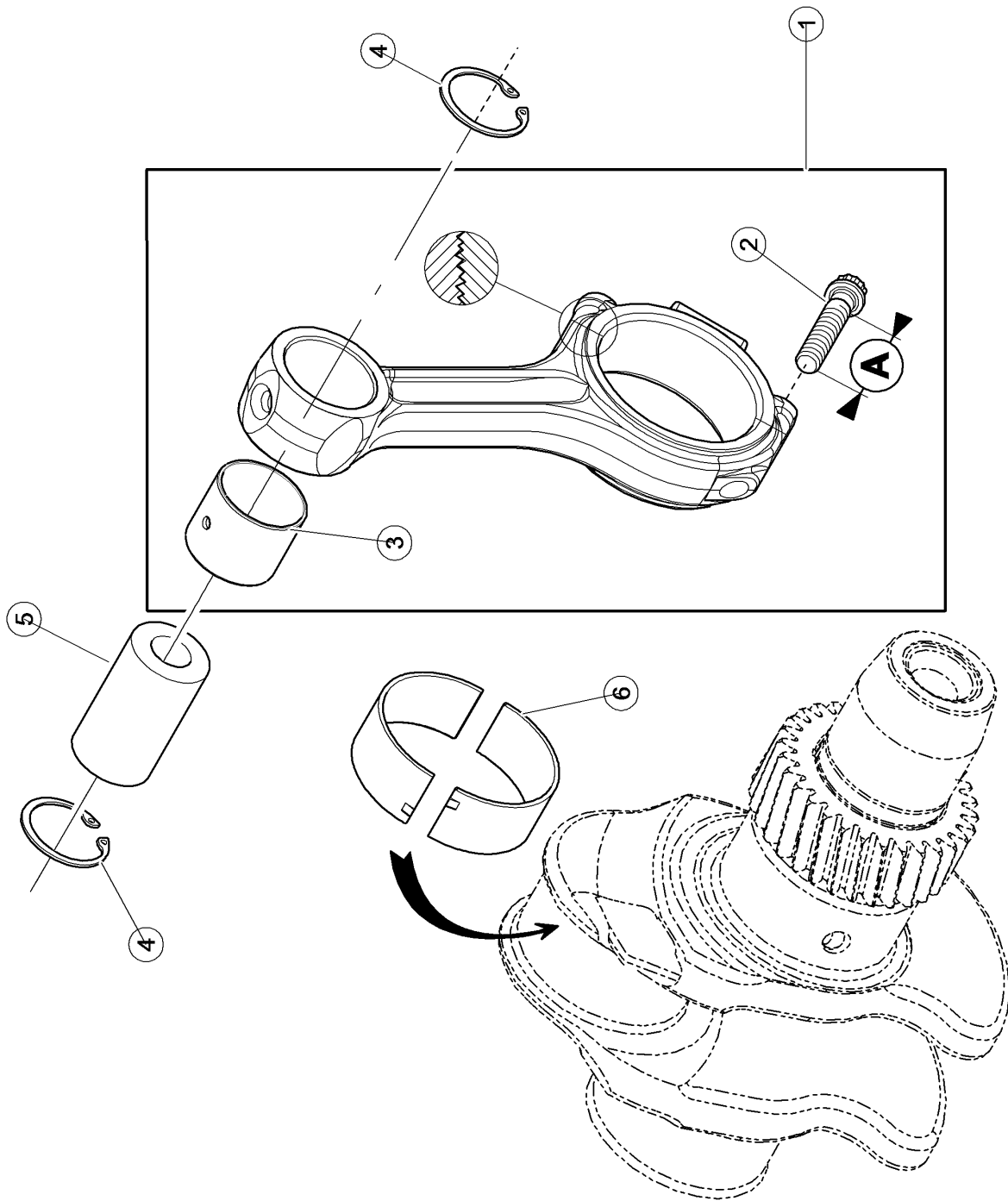
**100 CYLINDER LINER, PISTON 1)**

Pos.	Part No.	Description	Dimension	Quantity	Conditions
1	<b>00 1132 479 0</b>	CYLINDER/RAM		4	
2	<b>00 1132 481 0</b>	PISTON RING SET		4	
3	<b>60 0501 280 9</b>	SEALING RING SET		4	
4	<b>60 0501 281 5</b>	ADJUSTING DISC		4	2)
4	<b>60 0501 281 6</b>	ADJUSTING DISC		4	3)
<b>1)</b>	<b>Homologationtype</b>		+ 1834		
<b>2)</b>	<b>Remarks</b>		[SR] EP 0.05MM		
<b>3)</b>	<b>Remarks</b>		[SR] EP 0.10MM		



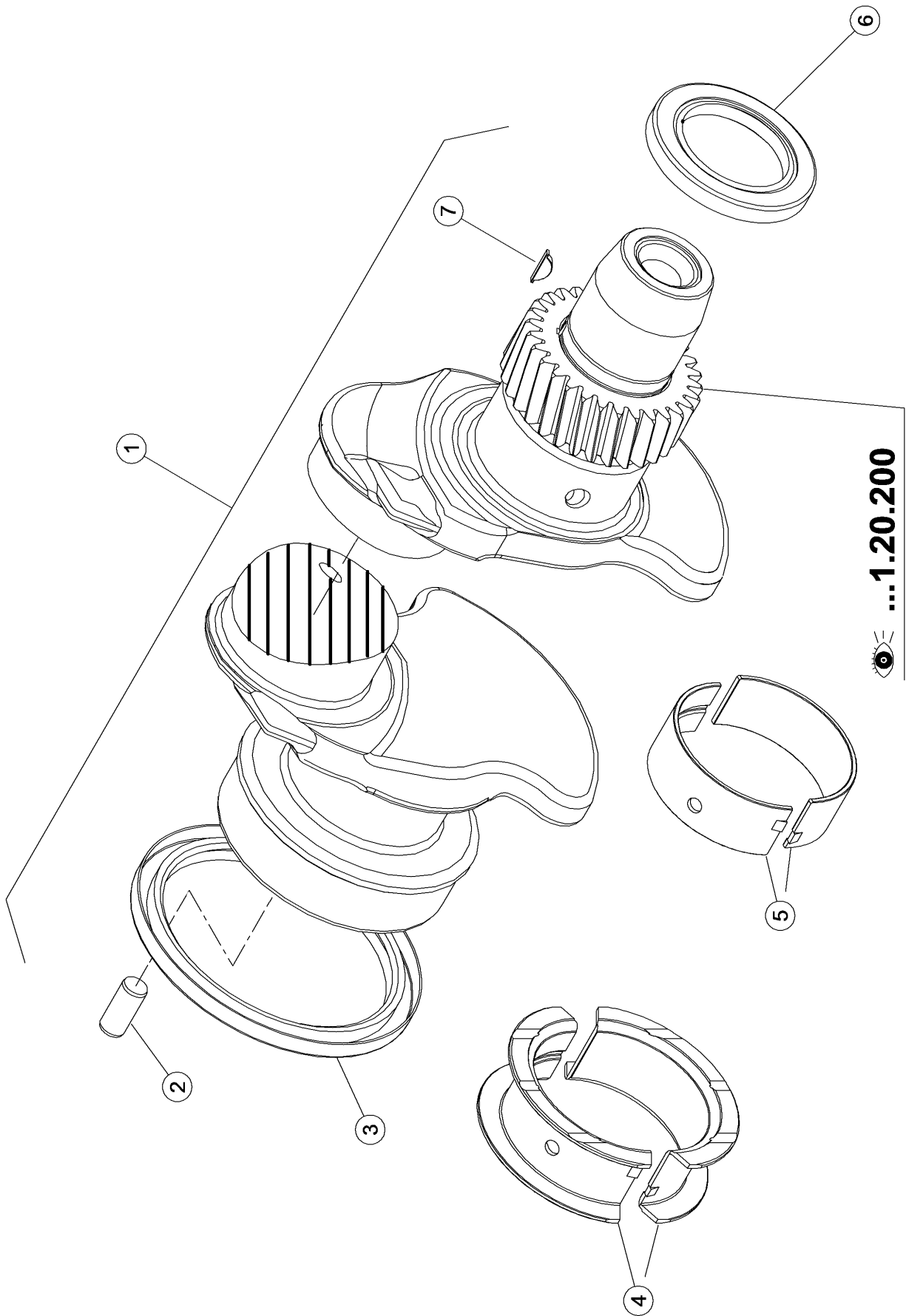
**100 CYLINDER LINER, PISTON 1)**

Pos.	Part No.	Description	Dimension	Quantity	Conditions
1	<b>00 1132 478 0</b>	PISTON-LINER		4	
2	<b>00 1132 480 0</b>	SET OF PISTON RINGS		4	
3	<b>60 0501 280 9</b>	SEALING RING SET		4	
4	<b>60 0501 281 5</b>	ADJUSTING DISC		4	2)
4	<b>60 0501 281 6</b>	ADJUSTING DISC		4	3)
<b>1)</b>	<b>Homologationtype</b>		+ 1804 + 1814 + 1824		
<b>2)</b>	<b>Remarks</b>		[SR] EP 0.05MM		
<b>3)</b>	<b>Remarks</b>		[SR] EP 0.10MM		



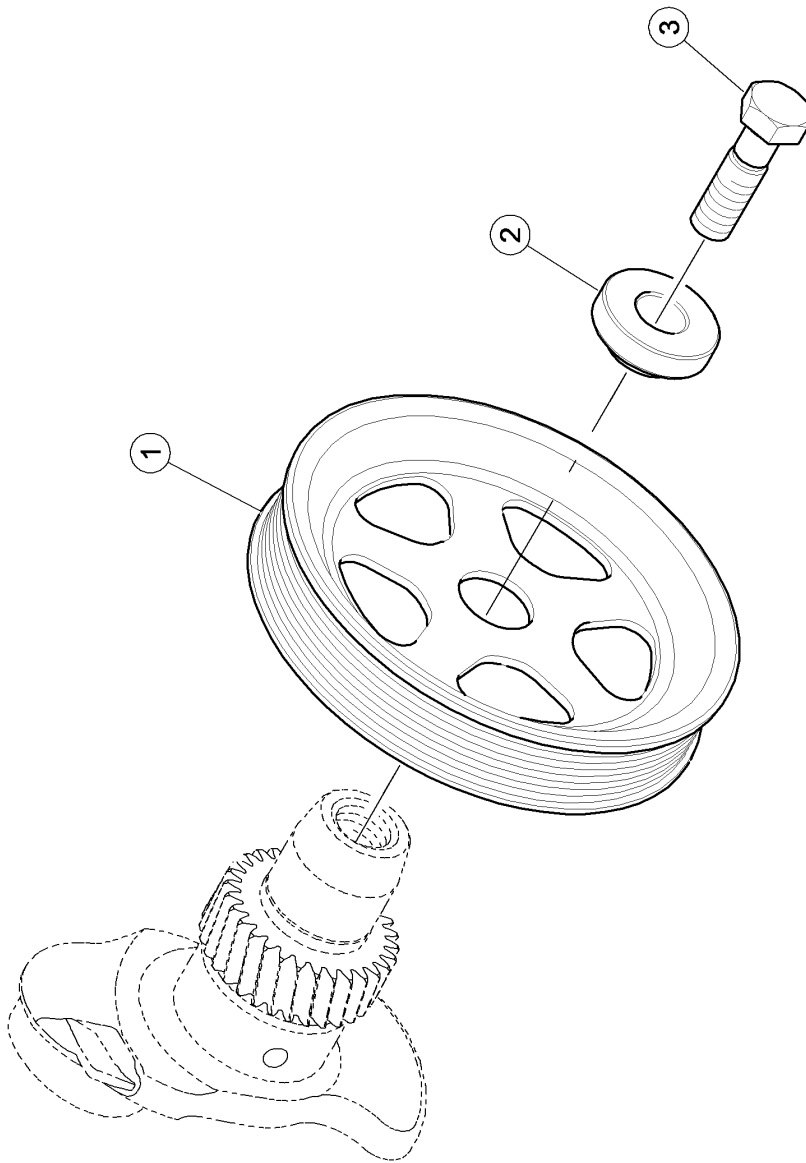
**120 CONNECTING ROD, CONNECTING ROD BEARINGS**

Pos.	Part No.	Description	Dimension	Quantity	Conditions
1	<b>60 0502 453 6</b>	CONNECTING ROD		4	
2	<b>60 0502 453 7</b>	SCREW	12 PTS M12 X 1,25 - 61	8	
3	<b>60 0502 147 6</b>	RING		4	
4	<b>60 0501 281 4</b>	INNER CIRCLIP		8	
5	<b>00 1132 482 0</b>	AXLE		4	
6	<b>60 0502 147 8</b>	BEARING		4	
6	<b>60 0502 147 9</b>	BEARING		4	1)
<b>1)</b>	<b>Remarks</b>		-0.254MM		



**140 CRANKSHAFT**

<b>Pos.</b>	<b>Part No.</b>	<b>Description</b>	<b>Dimension</b>	<b>Quantity</b>	<b>Conditions</b>
1	<b>60 0503 090 7</b>	CRANKSHAFT		1	
2	<b>60 0501 317 4</b>	CENTRING PIN		1	
3	<b>60 0501 279 0</b>	SHAFT SEAL	118X146X15	1	
4	<b>60 0502 148 2</b>	BEARING		1	1)
4	<b>60 0502 148 1</b>	BEARING		1	
5	<b>60 0502 148 4</b>	BEARING		4	1)
5	<b>60 0502 148 3</b>	BEARING		4	
6	<b>00 1169 885 0</b>	GASKET		1	
7	<b>60 0502 869 1</b>	VALVE		1	
<b>1)</b>	<b>Remarks</b>				-0.254MM



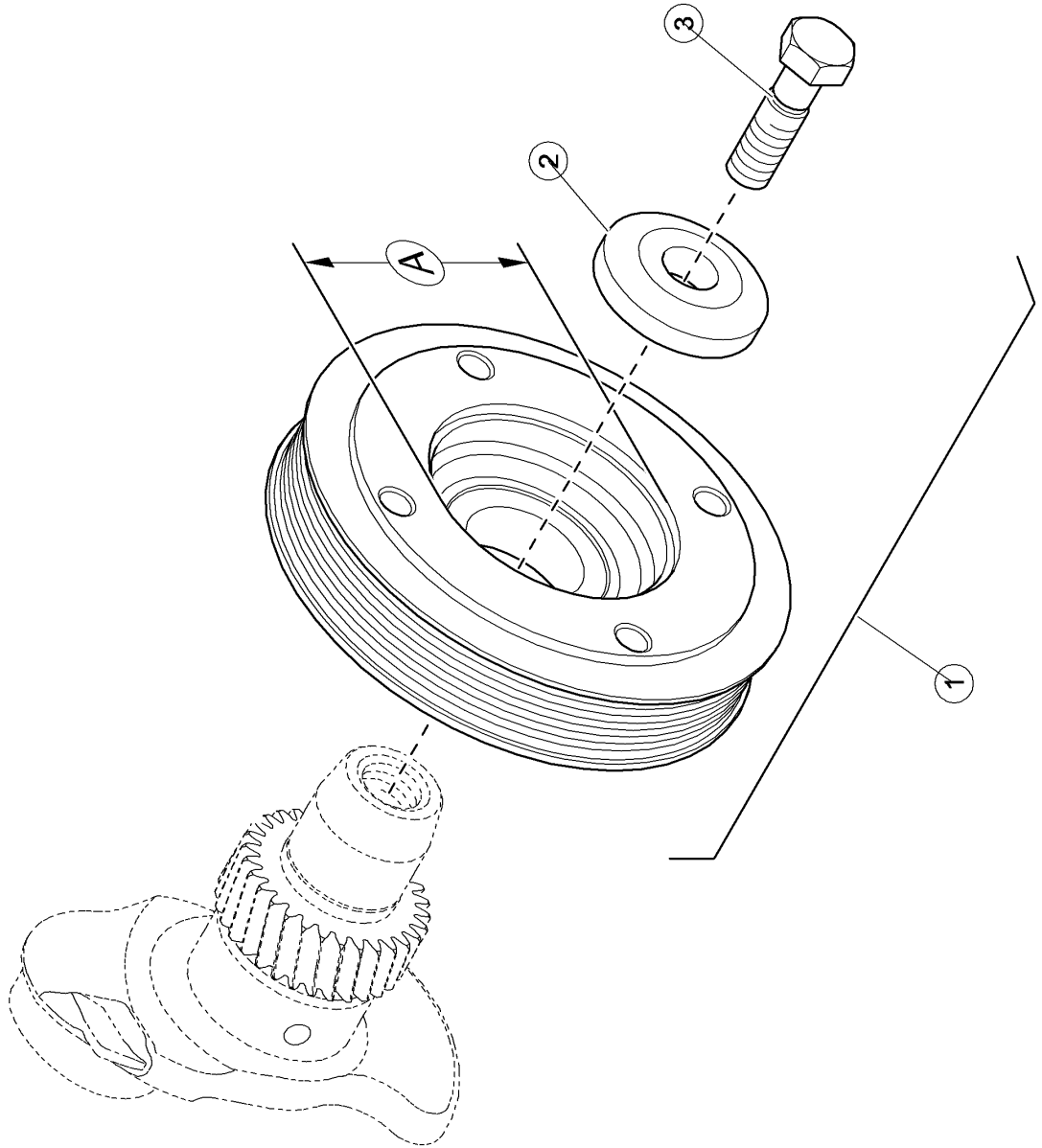
**160 CRANKSHAFT PULLEY WHEEL 1)**

Pos.	Part No.	Description	Dimension	Quantity	Conditions
1	<b>60 0503 052 4</b>	CRANKSHAFT PULLEY		1	
2	<b>60 0503 052 5</b>	WASHER		1	
3	<b>60 0502 866 8</b>	SCREW	M20X70	1	

**1) Equipment**

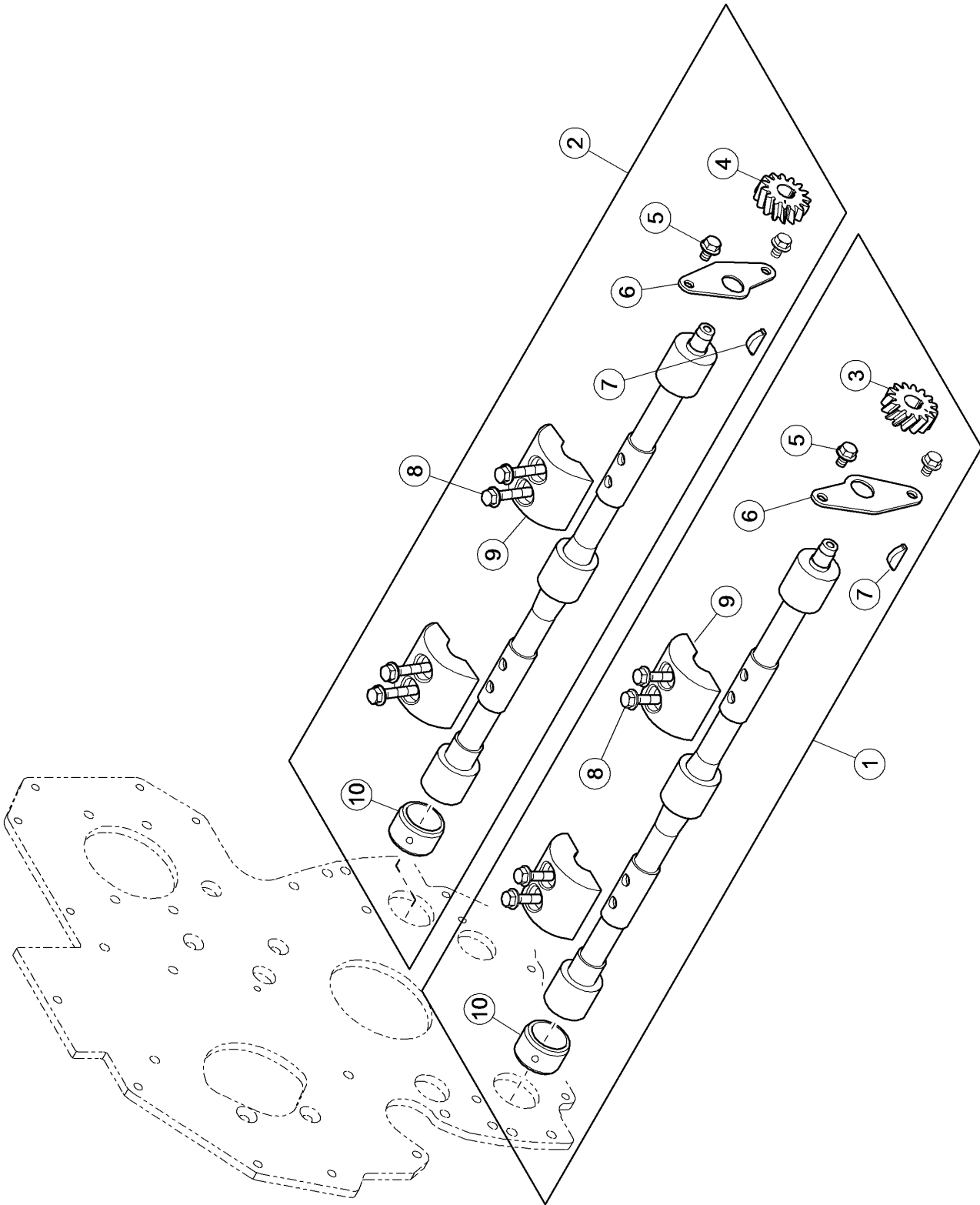
TF\_007\_0010

Without front PTO



**160 CRANKSHAFT PULLEY WHEEL 1)**

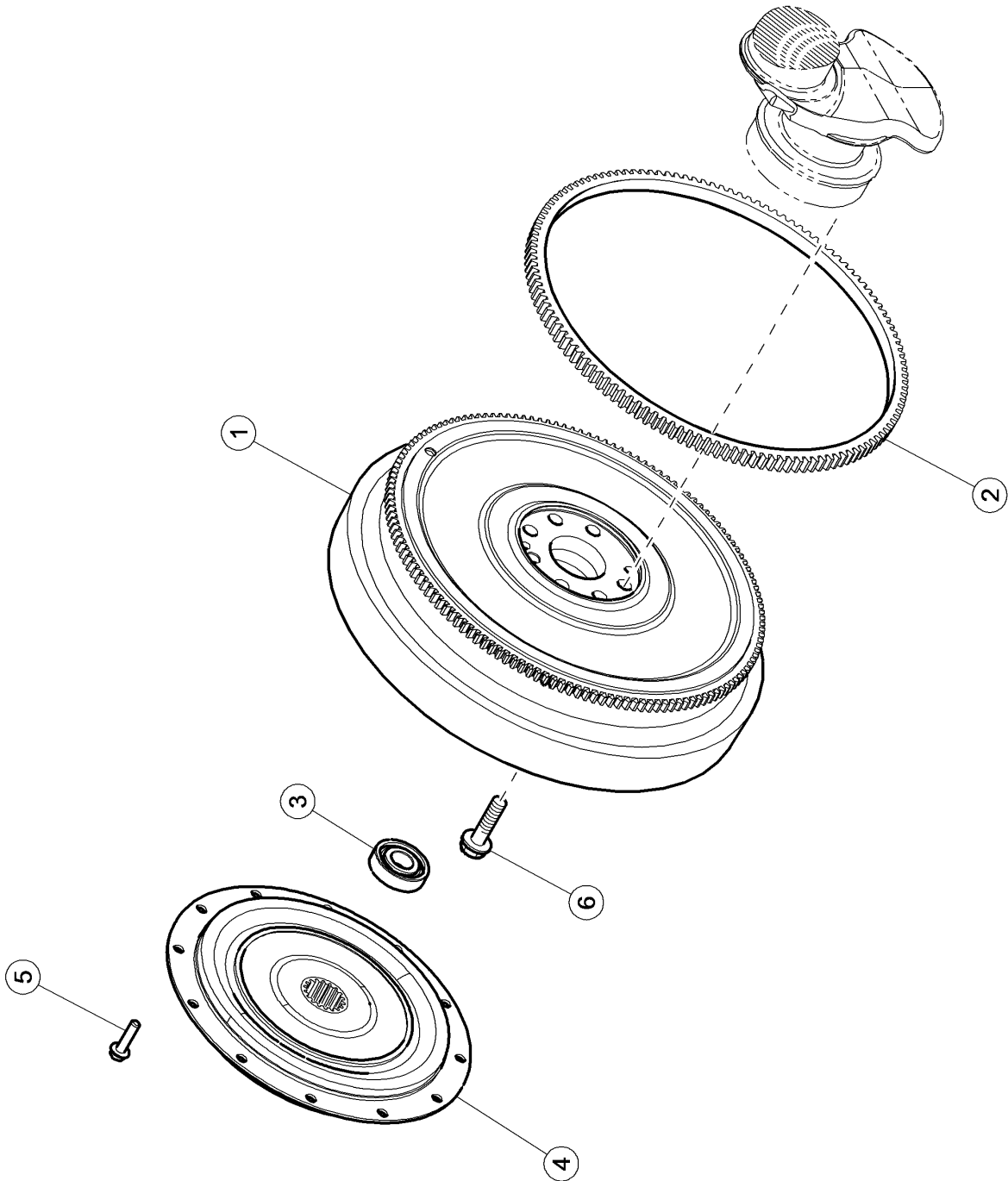
Pos.	Part No.	Description	Dimension	Quantity	Conditions
1	<b>77 0007 384 1</b>	CRANKSHAFT PULLEY		1	
2	<b>60 0503 091 1</b>	WASHER		1	
3	<b>60 0502 866 8</b>	SCREW	M20X70	1	
<b>1)</b>	<b>Equipment</b>				
		TF_007_0001			AVEC PRIDE DE FORCE AVANT.
		TF_007_0002			Front PTO with clockwise rotation
					-anti - clockwise front PTO



**200 MASS BALANCING**

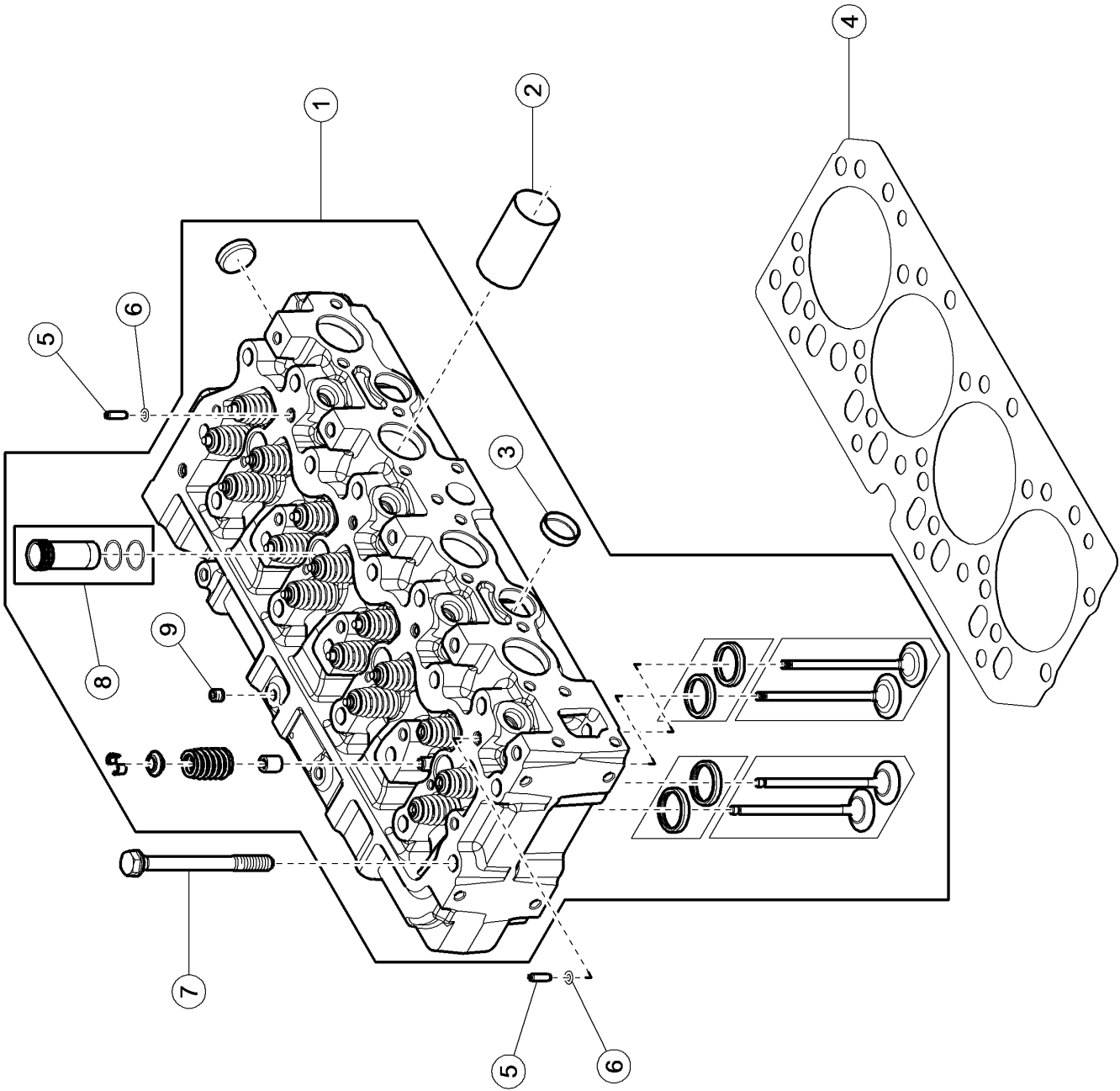
Pos.	Part No.	Description	Dimension	Quantity	Conditions
1	<b>60 0502 594 0</b>	SHAFT		1	1)
2	<b>60 0502 594 1</b>	SHAFT		1	2)
3	<b>60 0502 594 2</b>	WHEEL		1	3)
4	<b>60 0502 594 3</b>	WHEEL		1	4)
5	<b>60 0502 594 5</b>	SCREW		4	
6	<b>FA-NFP</b>	NFP - CS		2	
7	<b>60 0502 148 6</b>	KEY		2	
8	<b>60 0502 144 5</b>	SCREW	M8X45	8	
9	<b>60 0502 594 6</b>	FLYWEIGHT		4	
10	<b>60 0502 593 1</b>	RING		6	

<b>1) Remarks</b>	D.
<b>2) Remarks</b>	G.
<b>3) Remarks</b>	D. 15Dts.
<b>4) Remarks</b>	G. 15Dts.



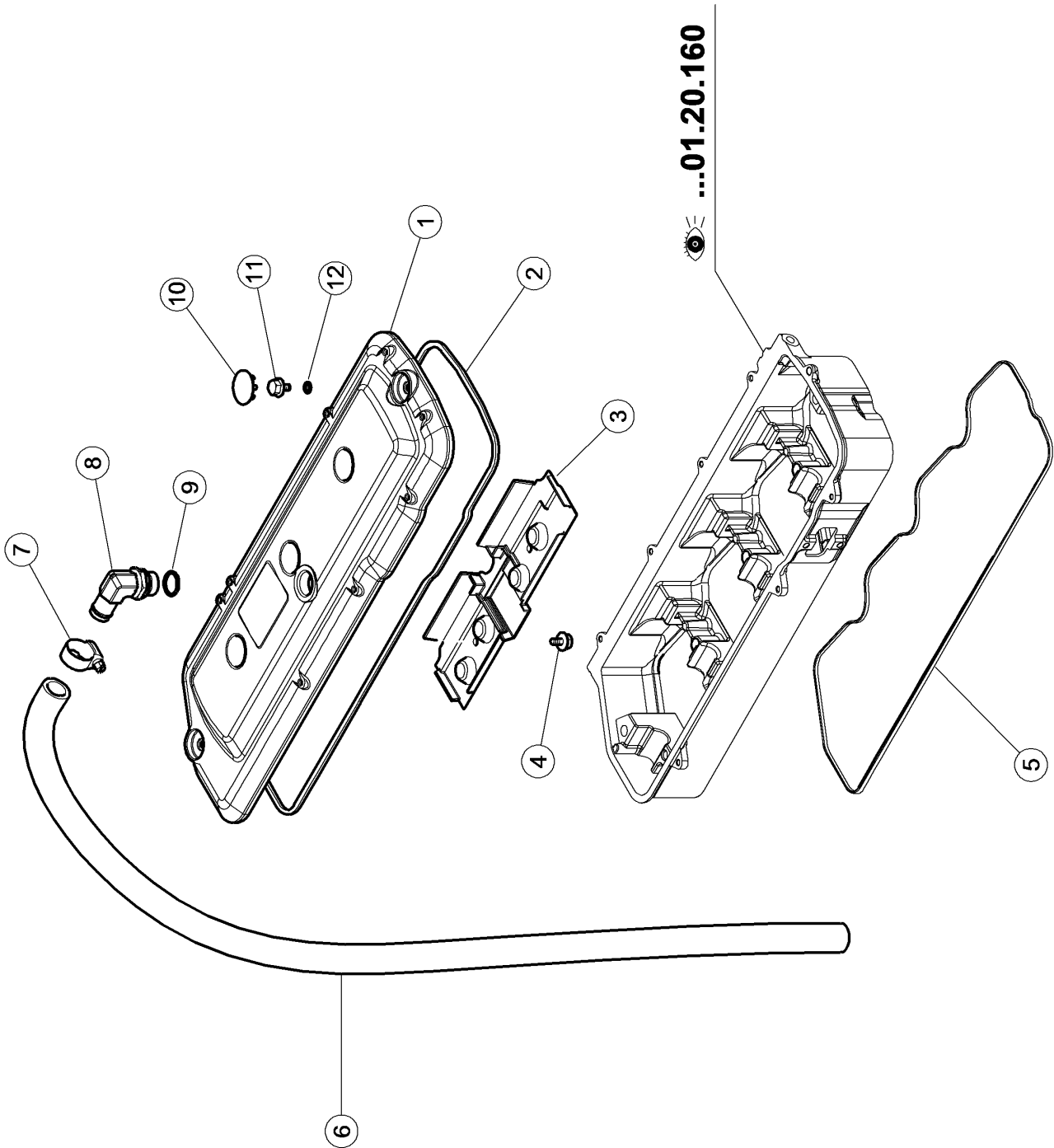
**220 FLYWHEEL**

<b>Pos.</b>	<b>Part No.</b>	<b>Description</b>	<b>Dimension</b>	<b>Quantity</b>	<b>Conditions</b>
1	<b>77 0007 132 9</b>	FLYWHEEL		1	
2	<b>77 0004 728 5</b>	TOOTHED RIM		1	
3	<b>00 0238 373 0</b>	GRVD.BALL BEARING	6305-2RS*	1	
4	<b>00 1111 394 0</b>	HUB		1	
5	<b>77 0005 997 8</b>	HEXAGON HEAD BOLT	M10X40	8	
6	<b>60 0502 625 8</b>	SCREW	12 X 1,75 -37 - M12X40	6	



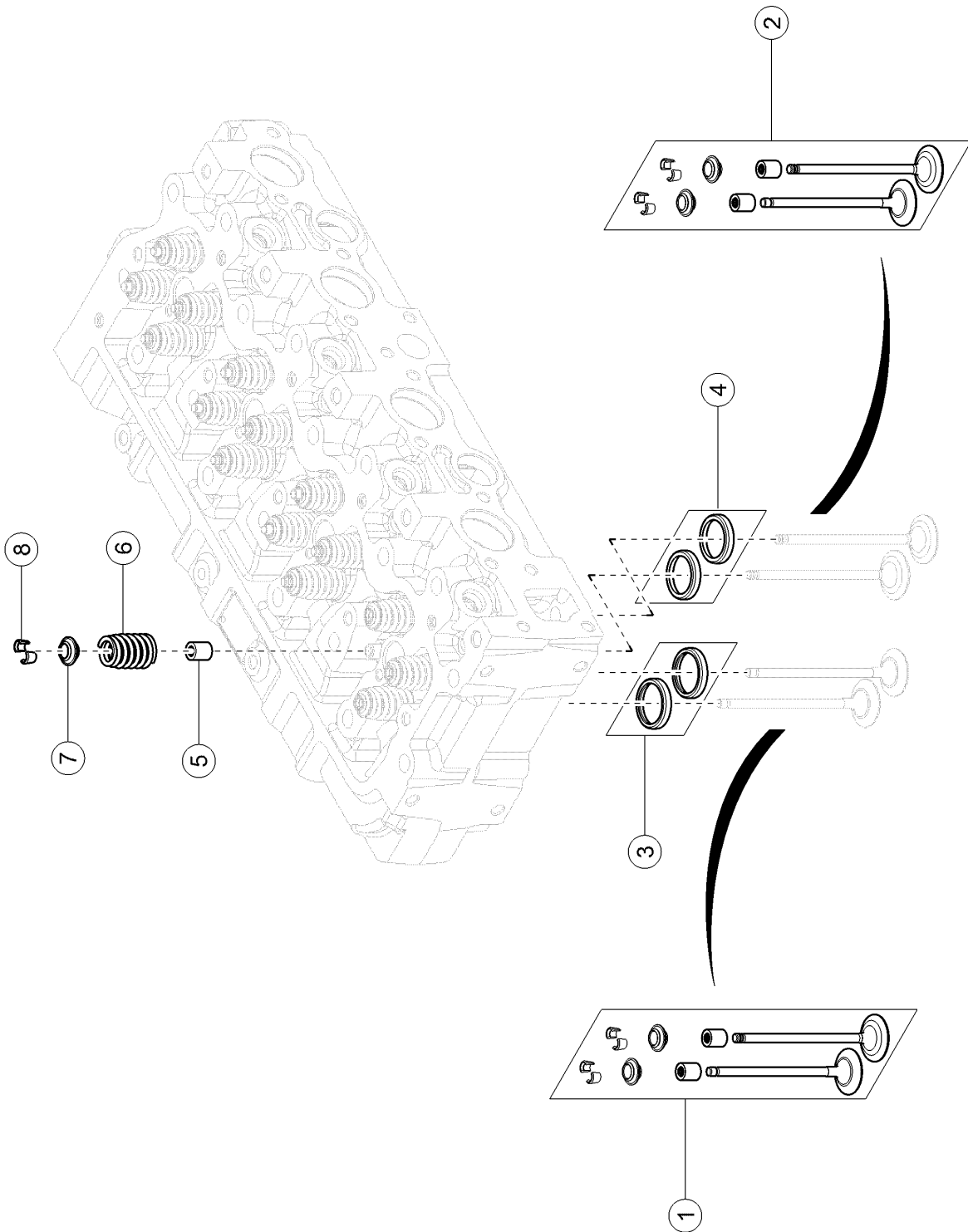
**100 CYLINDER HEAD**

<b>Pos.</b>	<b>Part No.</b>	<b>Description</b>	<b>Dimension</b>	<b>Quantity</b>	<b>Conditions</b>
1	<b>00 1168 530 0</b>	CYLINDER HEAD		1	
2	<b>00 1132 502 0</b>	LINER		4	
3	<b>60 0501 288 3</b>	LOCK		3	
4	<b>60 0502 594 9</b>	CYLINDER HEAD GASKET		1	
5	<b>00 1132 503 0</b>	PIN		2	
6	<b>00 1145 929 0</b>	O-RING		5	
7	<b>00 1145 541 0</b>	SCREW	1/2-13UNC-2AX5 1/3	18	
8	<b>00 1142 367 0</b>	LINER		4	
9	<b>00 1141 206 0</b>	PLUG		1	



**120 CYLINDER HEAD COVER**

Pos.	Part No.	Description	Dimension	Quantity	Conditions
1	<b>00 1135 007 0</b>	ROCKER COVER		1	1)
1	<b>00 1133 938 0</b>	ROCKER COVER		1	2)
2	<b>00 1135 008 0</b>	GASKET		1	
3	<b>00 1132 508 0</b>	DEFLECTOR		1	
4	<b>60 0502 144 8</b>	SCREW	M6X16	2	
5	<b>00 1135 009 0</b>	SEALING RING		1	
6	<b>60 0503 305 1</b>	TUBE		1	
7	<b>60 0500 348 9</b>	CLAMP	A 020-32X12 W1	1	
8	<b>60 0503 026 5</b>	SCREWING		1	1)
8	<b>00 1133 935 0</b>	ELBOW		1	2)
9	<b>00 0211 923 0</b>	O-RING	18,72X2,62-N	1	1)
9	<b>60 0502 160 4</b>	O-RING	19X2.4	1	2)
10	<b>60 0502 134 4</b>	PLUG		5	
11	<b>60 0502 594 5</b>	SCREW		5	
12	<b>00 0219 147 0</b>	O-RING	7,59X2,62-N	5	
<b>1)</b>	<b>Motor</b>	4045HRT80 4045HRT81			up to CD4045L054132 up to CD4045L054132
<b>2)</b>	<b>Motor</b>	4045HRT80 4045HRT81			from CD4045L054133 from CD4045L054133





**Suggest:**

**For more complete manuals. Please go to the home page.**

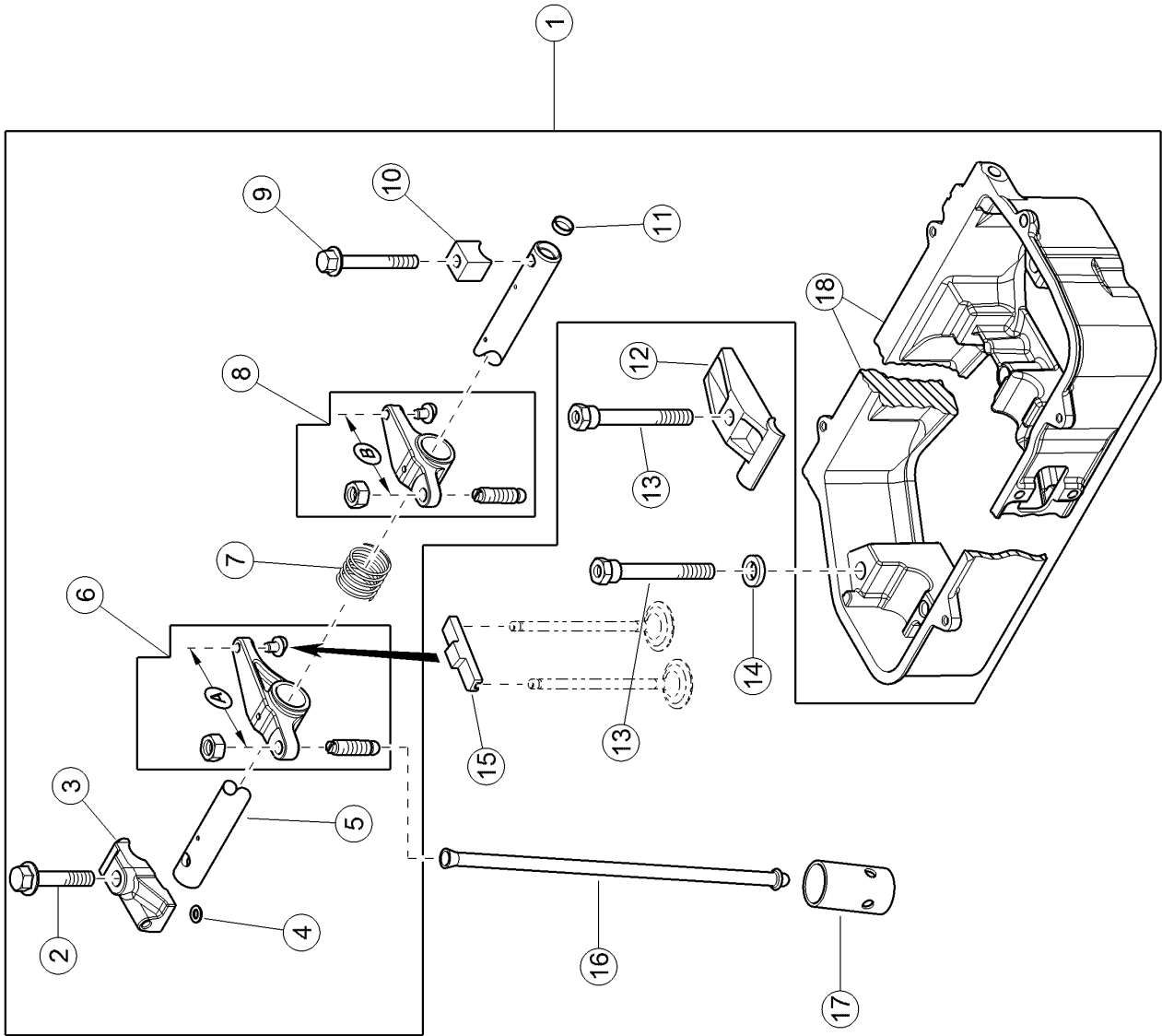
**<https://www.ebooklibonline.com>**

**If the above button click is invalid. Please download this document first, and then click the above link to download the complete manual.**

**Thank you so much for reading**

**140 VALVES**

<b>Pos.</b>	<b>Part No.</b>	<b>Description</b>	<b>Dimension</b>	<b>Quantity</b>	<b>Conditions</b>
1	<b>00 1148 701 0</b>	VALVE		4	1)
2	<b>00 1148 700 0</b>	VALVE		4	2)
3	<b>00 1132 513 0</b>	VALVE SEAT		4	1)
4	<b>00 1132 514 0</b>	VALVE SEAT		4	2)
5	<b>00 1139 912 0</b>	SEALING RING		16	
6	<b>00 1132 517 0</b>	SPRING		16	
7	<b>00 1132 518 0</b>	WASHER		16	
8	<b>00 1148 631 0</b>	HALF-CONE		32	
<hr/>					
<b>1)</b>	<b>Remarks</b>		Echapt		
<hr/>					
<b>2)</b>	<b>Remarks</b>		Adm.		
<hr/>					



**<https://www.ebooklibonline.com>**

Hello dear friend!

Thank you very much for reading.

Enter the link into your browser.

The full manual is available for immediate download.

**<https://www.ebooklibonline.com>**