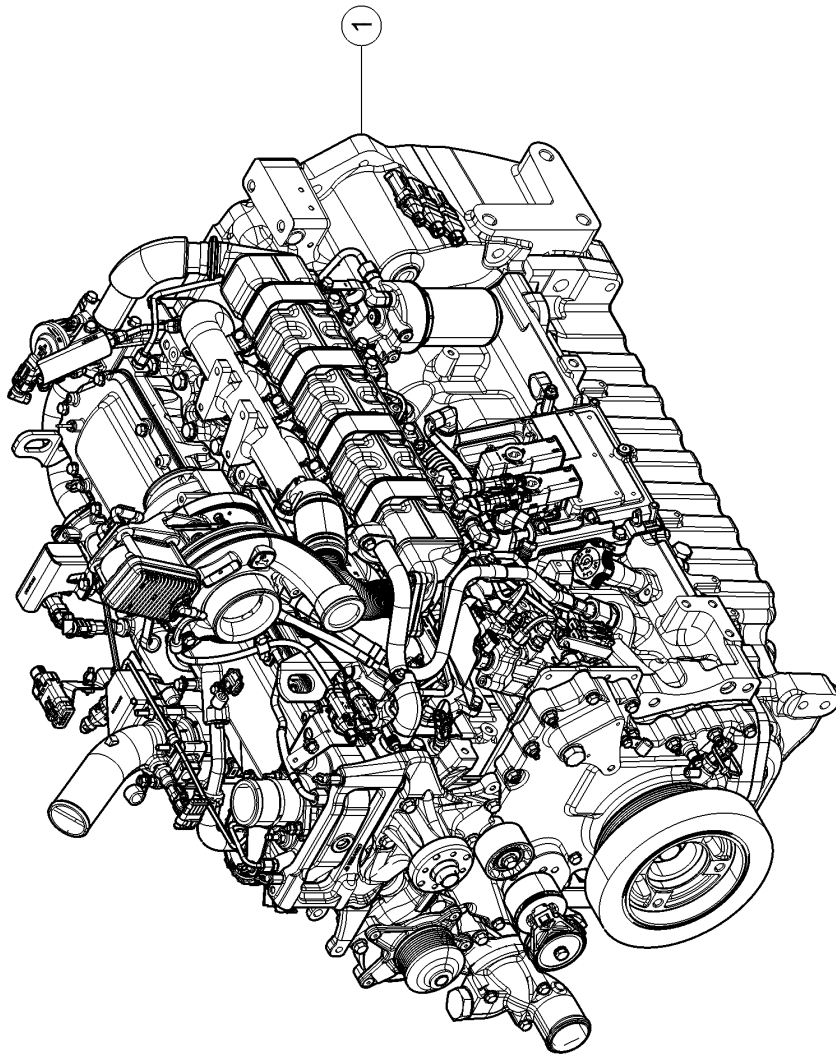


**010 COMPLETE ENGINE 1)**

Pos.	Part No.	Description	Dimension	Quantity	Conditions
1	<b>00 1164 341 0</b>	ENGINE		1	
<b>1)</b>	<b>machine type</b>	A74	+ ARION 550-510 HEXASHIFT		



**<https://www.ebooklibonline.com>**

Hello dear friend!

Thank you very much for reading.

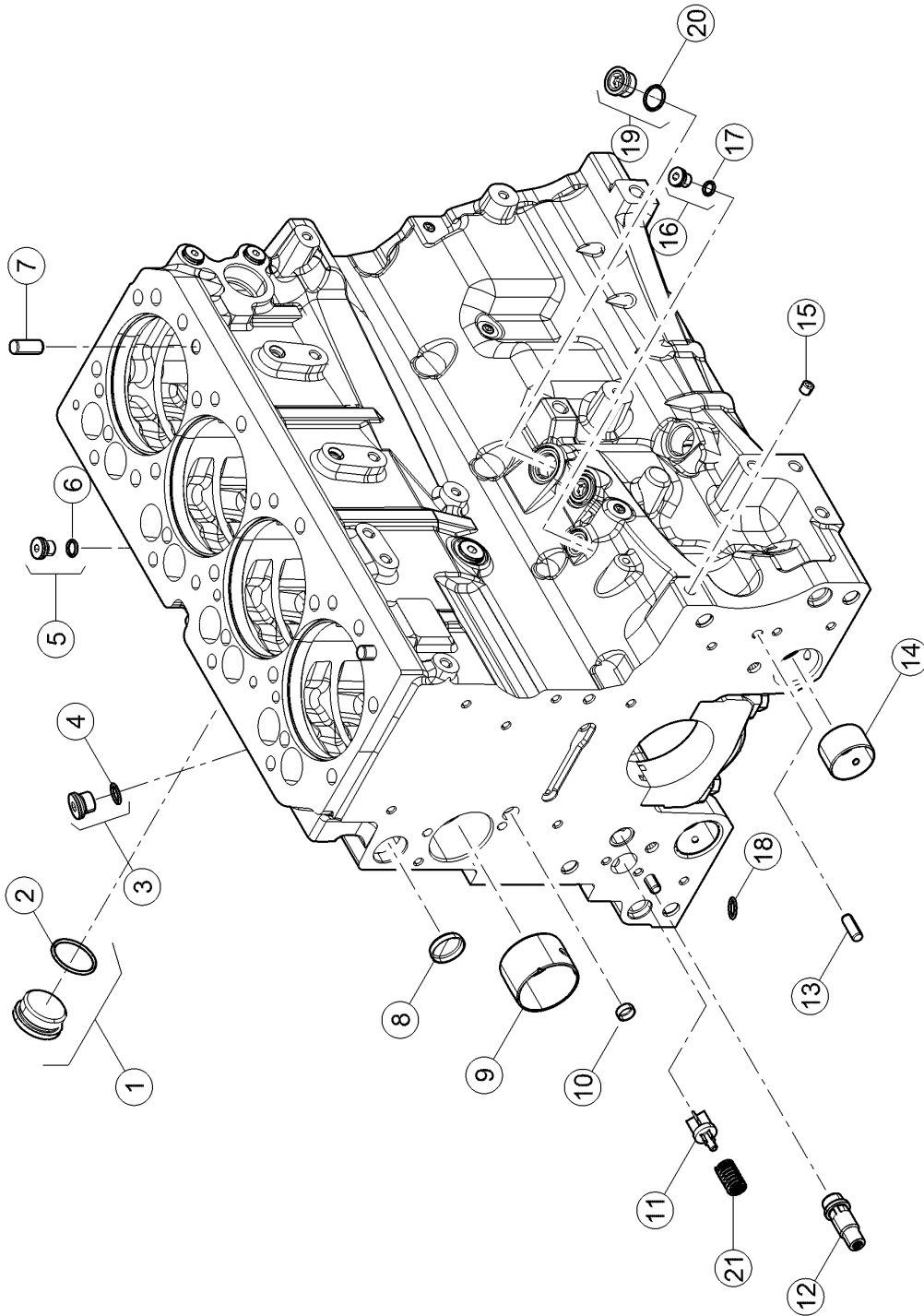
Enter the link into your browser.

The full manual is available for immediate download.

**<https://www.ebooklibonline.com>**

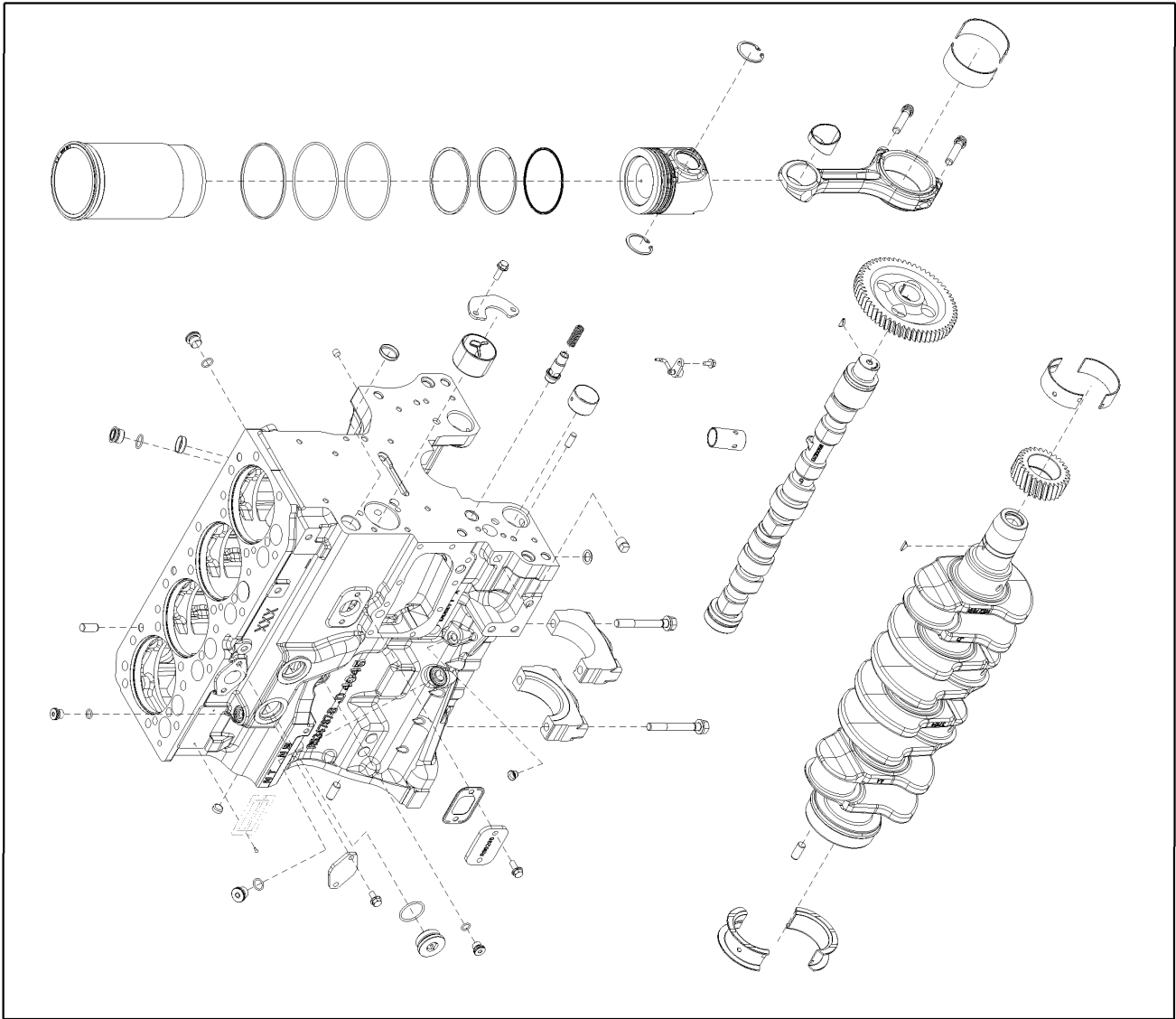
**010 COMPLETE ENGINE 1)**

Pos.	Part No.	Description	Dimension	Quantity	Conditions
1	<b>00 1164 343 0</b>	ENGINE		1	
<b>1)</b>	<b>machine type</b>	A76	+ ARION 650-610 St4 HEXA		



**100 CRANKCASE 1)**

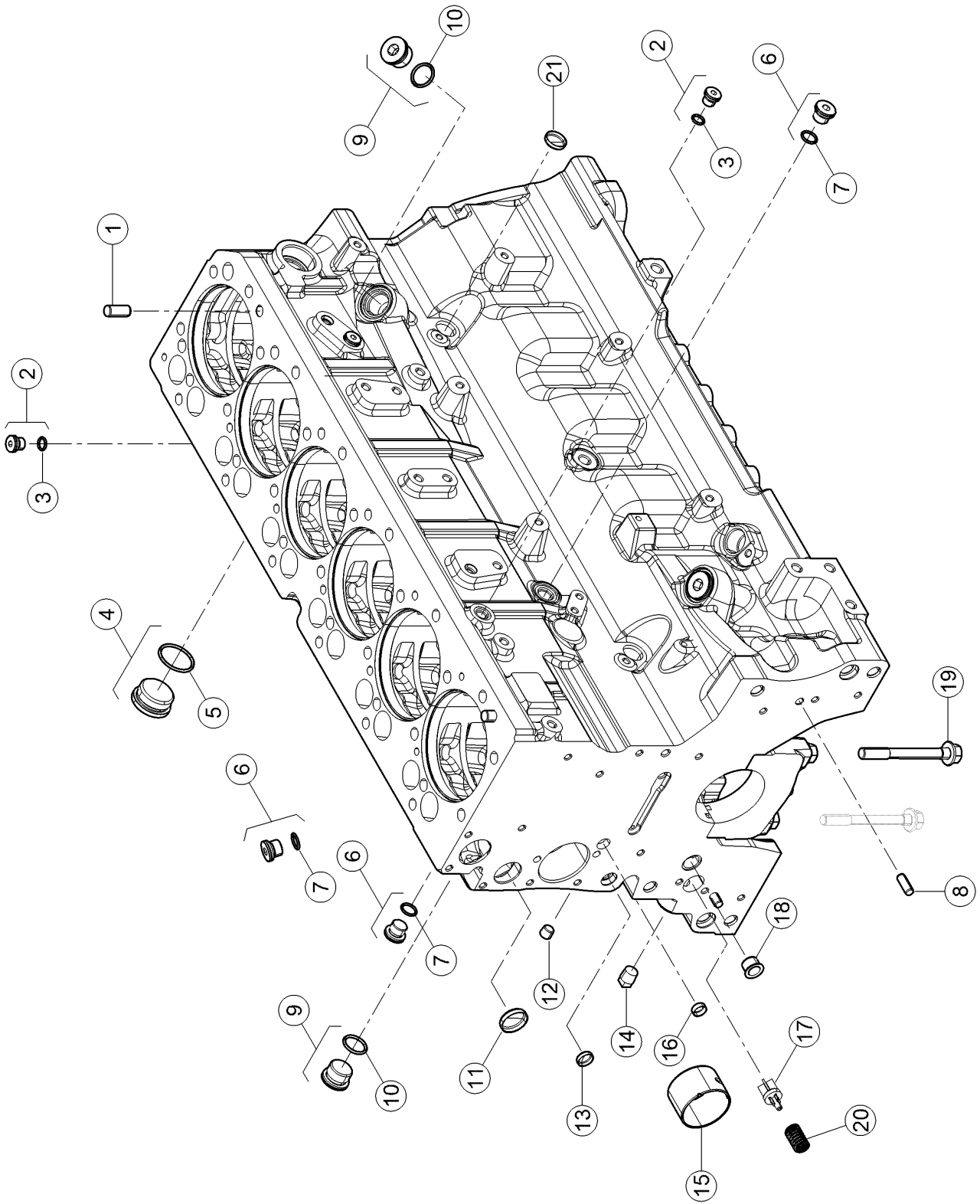
Pos.	Part No.	Description	Dimension	Quantity	Conditions
1	<b>60 0502 905 2</b>	PLUG		2	
2	<b>60 0502 339 4</b>	O-RING		2	
3	<b>00 1145 876 0</b>	PLUG		2	
4	<b>60 0502 160 8</b>	O-RING	15,3X2,2-N	2	
5	<b>00 1145 880 0</b>	PLUG		4	
6	<b>60 0502 164 1</b>	O-RING		4	
7	<b>60 0501 317 4</b>	CENTRING PIN		4	
8	<b>60 0502 143 9</b>	BLANKING COVER		1	
9	<b>60 0501 294 1</b>	BEARING		2	
10	<b>60 0501 319 8</b>	BLANKING COVER		2	
11	<b>00 1145 875 0</b>	VALVE		1	
12	<b>60 0502 869 1</b>	VALVE		1	
13	<b>00 1145 871 0</b>	CENTRING PIN		2	
14	<b>60 0502 593 1</b>	RING		2	
15	<b>00 1141 206 0</b>	PLUG		5	
16	<b>00 1161 401 0</b>	PLUG		1	
17	<b>60 0502 156 7</b>	O-RING	9,3X2,2	1	
18	<b>60 0501 320 3</b>	O-RING		1	
19	<b>00 1145 914 0</b>	BLANKING COVER		2	
20	<b>60 0502 160 4</b>	O-RING	19X2,4	2	
21	<b>60 0501 320 1</b>	SPRING		1	
<hr/>					
<b>1)</b>	<b>machine type</b>	A74	+ ARION 550-510 HEXASHIFT		



1

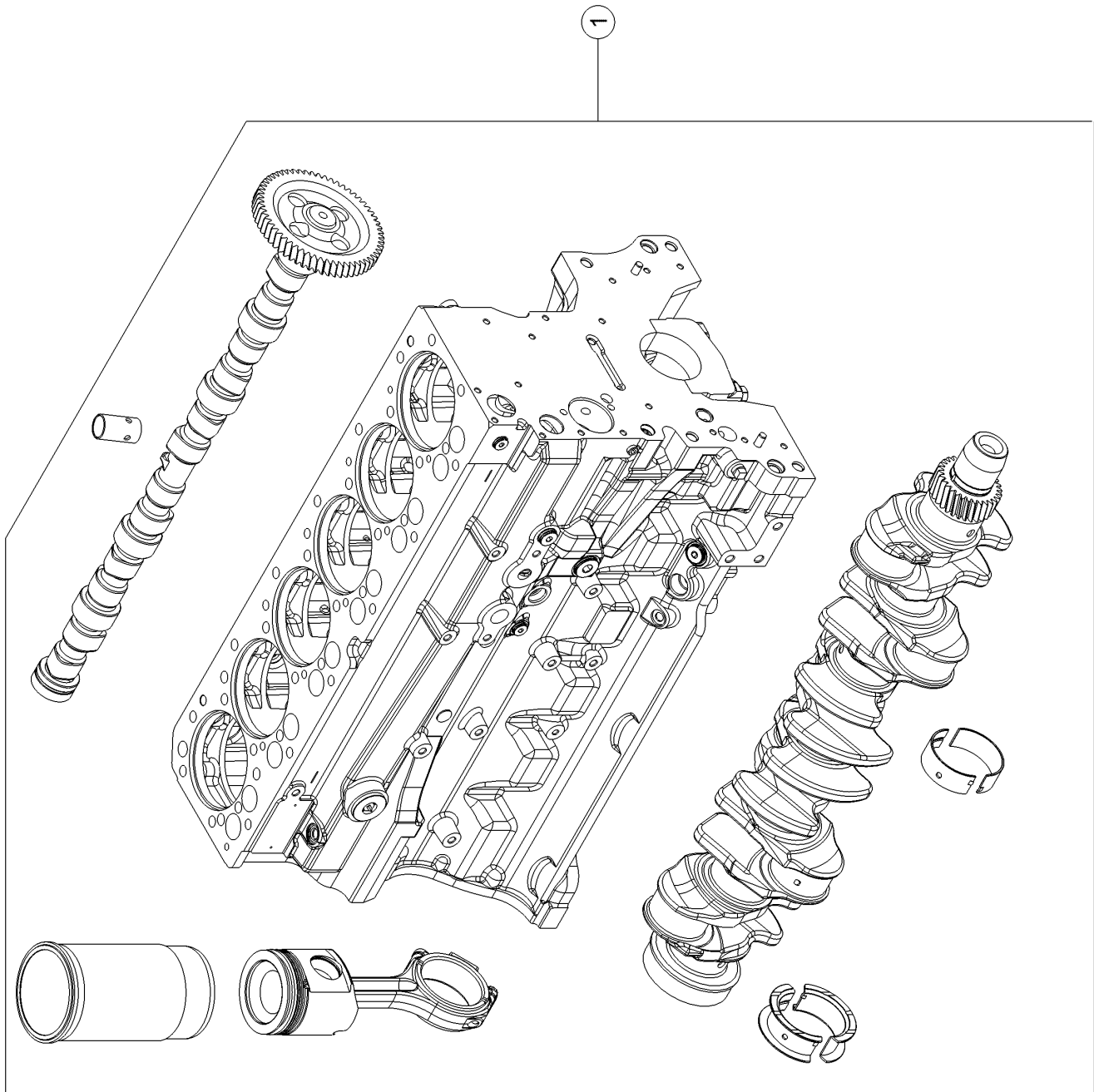
**100 CRANKCASE 1)**

Pos.	Part No.	Description	Dimension	Quantity	Conditions
1	<b>00 1171 784 0</b>	SHORT BLOCK		1	
<b>1)</b>	<b>machine type</b>	A74	+ ARION 550-510 HEXASHIFT		



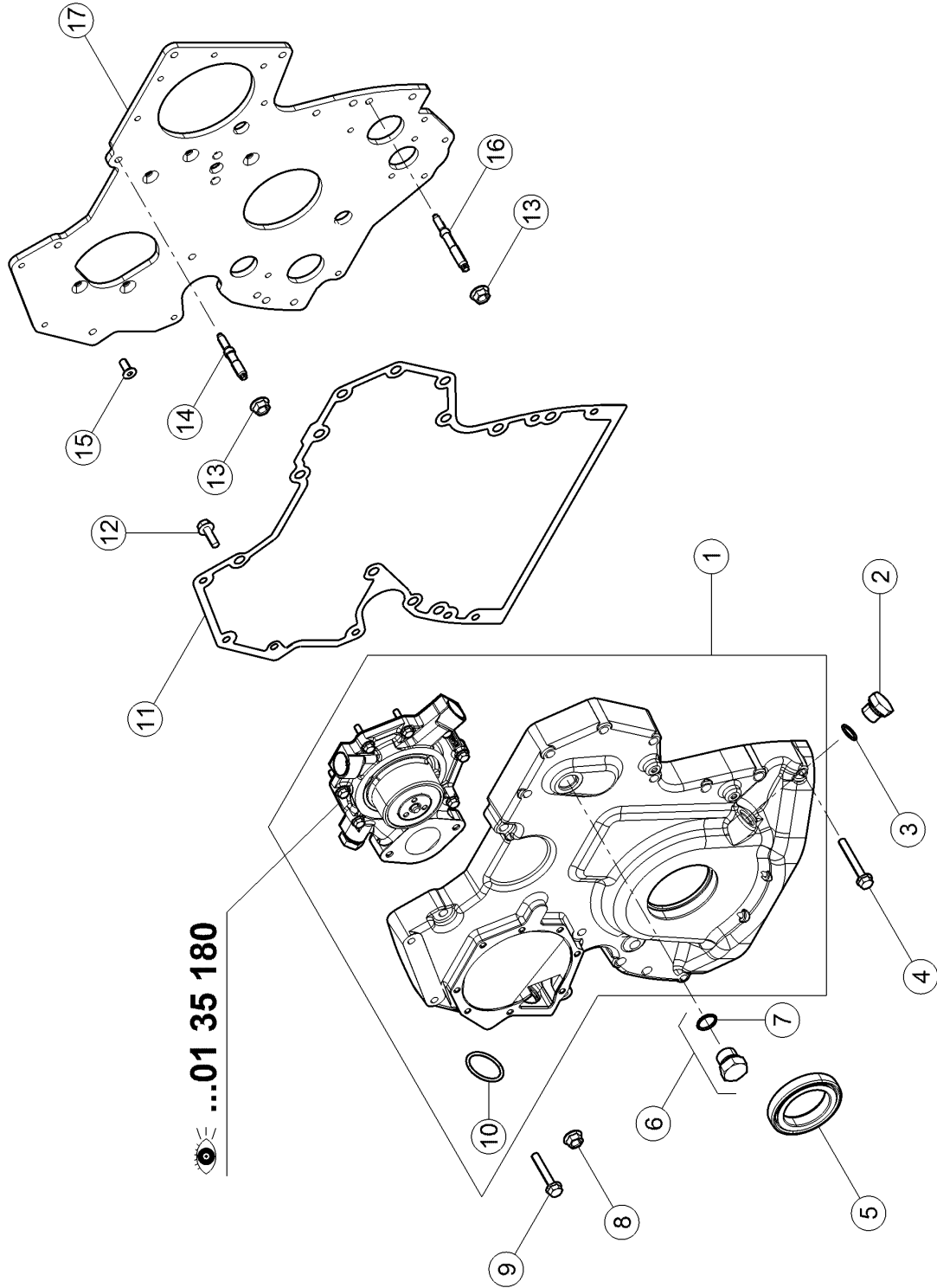
**100 CRANKCASE 1)**

Pos.	Part No.	Description	Dimension	Quantity	Conditions
1	<b>60 0501 317 4</b>	CENTRING PIN		4	
2	<b>00 1145 880 0</b>	PLUG		5	
3	<b>60 0502 164 1</b>	O-RING		5	
4	<b>60 0502 905 2</b>	PLUG		1	
5	<b>60 0502 339 4</b>	O-RING		1	
6	<b>00 1145 876 0</b>	PLUG		3	
7	<b>60 0502 160 8</b>	O-RING	15,3X2,2-N	3	
8	<b>60 0501 319 6</b>	CENTRING PIN		2	
9	<b>00 1146 439 0</b>	PLUG		4	
10	<b>00 1146 440 0</b>	O-RING		4	
11	<b>60 0502 143 9</b>	BLANKING COVER		1	
12	<b>60 0501 320 8</b>	LOCK		1	
13	<b>00 1146 442 0</b>	PLUG		1	
14	<b>60 0501 597 1</b>	LOCK		1	
15	<b>60 0501 294 1</b>	BEARING		1	
16	<b>60 0501 319 8</b>	BLANKING COVER		2	
17	<b>00 1145 875 0</b>	VALVE		1	
18	<b>00 1165 185 0</b>	SMOOTH RING		1	
19	<b>00 1146 443 0</b>	SCREW		14	
20	<b>60 0501 320 1</b>	SPRING		1	
21	<b>00 1166 832 0</b>	BLANKING COVER		1	
<hr/>					
<b>1)</b>	<b>machine type</b>	A76	+ ARION 650-610 St4 HEXA		
<hr/>					



**100 CRANKCASE 1)**

Pos.	Part No.	Description	Dimension	Quantity	Conditions
1	<b>00 1171 785 0</b>	SHORT BLOCK		1	
<b>1)</b>	<b>machine type</b>	A76	+ ARION 650-610 St4 HEXA		



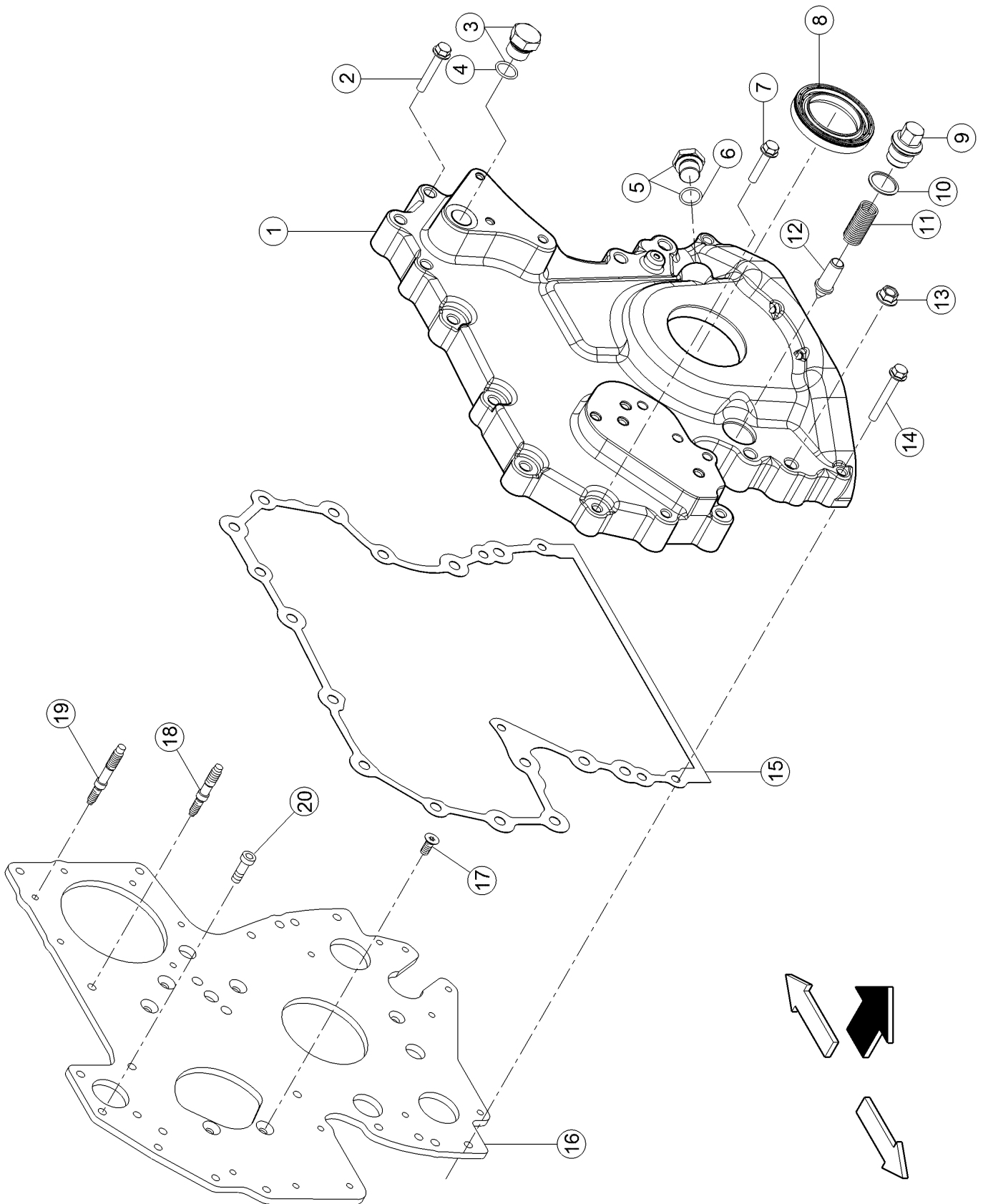
**120 TIMING CASE 1)**

Pos.	Part No.	Description	Dimension	Quantity	Conditions
1	<b>00 1162 415 0</b>	CASING		1	
2	<b>60 0502 895 5</b>	SCREW PLUG	F-M20X1,5	1	
3	<b>60 0501 365 5</b>	O-RING	17,3X2,2	1	
4	<b>60 0502 145 0</b>	SCREW	M08X60	4	
5	<b>00 1169 885 0</b>	GASKET		1	
6	<b>60 0502 160 3</b>	LOCK	M22X1,5	1	
7	<b>60 0502 160 4</b>	O-RING	19X2.4	1	
8	<b>60 0502 144 9</b>	NUT		9	
9	<b>60 0502 593 6</b>	SCREW	M8X50	4	
10	<b>60 0500 796 4</b>	O-RING	37,69 X 3,53 NBR 80	1	
11	<b>00 1162 416 0</b>	FLAT SEAL		1	
12	<b>60 0502 145 6</b>	SCREW	M8X25	1	
13	<b>60 0502 144 9</b>	NUT		9	
14	<b>60 0502 339 8</b>	STUD BOLT		2	
15	<b>60 0502 339 7</b>	SCREW		5	
16	<b>00 1132 473 0</b>	STUD BOLT		7	
17	<b>00 1160 233 0</b>	PLATE		1	

**1) machine type**

A74

+ ARION 550-510 HEXASHIFT



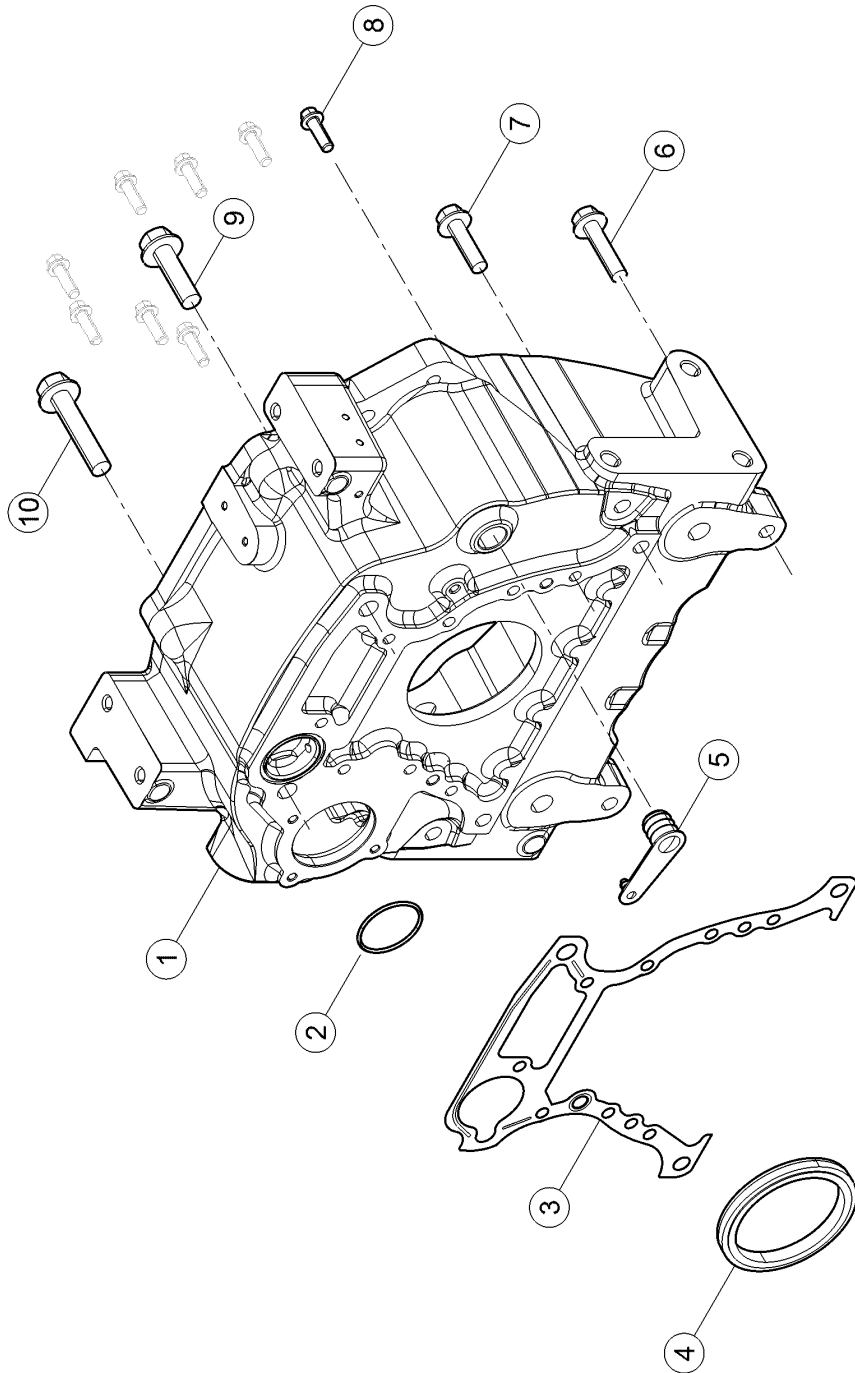
**120 TIMING CASE 1)**

Pos.	Part No.	Description	Dimension	Quantity	Conditions
1	<b>00 1160 738 0</b>	HOUSING		1	
2	<b>60 0502 593 6</b>	SCREW	M8X50	3	
3	<b>60 0502 160 3</b>	LOCK	M22X1,5	1	
4	<b>60 0502 160 4</b>	O-RING	19X2.4	1	
5	<b>60 0502 895 5</b>	SCREW PLUG	F-M20X1,5	1	
6	<b>60 0501 365 5</b>	O-RING	17,3X2,2	1	
7	<b>60 0502 144 5</b>	SCREW	M8X45	1	
8	<b>00 1169 885 0</b>	GASKET		1	
9	<b>00 1165 194 0</b>	PLUG		1	
10	<b>60 0501 277 2</b>	WASHER		1	
11	<b>00 1165 195 0</b>	SPRING		1	
12	<b>00 1165 196 0</b>	HYDRAULIC VALVE		1	
13	<b>60 0502 144 9</b>	NUT		8	
14	<b>60 0502 145 0</b>	SCREW	M08X60	3	
15	<b>00 1160 737 0</b>	FLAT SEAL		1	
16	<b>00 1161 523 0</b>	PLATE		1	
17	<b>60 0502 339 7</b>	SCREW		5	
18	<b>60 0502 339 8</b>	STUD BOLT		3	
19	<b>00 1132 473 0</b>	STUD BOLT		5	
20	<b>77 0300 901 9</b>	SCREW	M8X20 ERS.D.1070494.1	1	

**1) machine type**

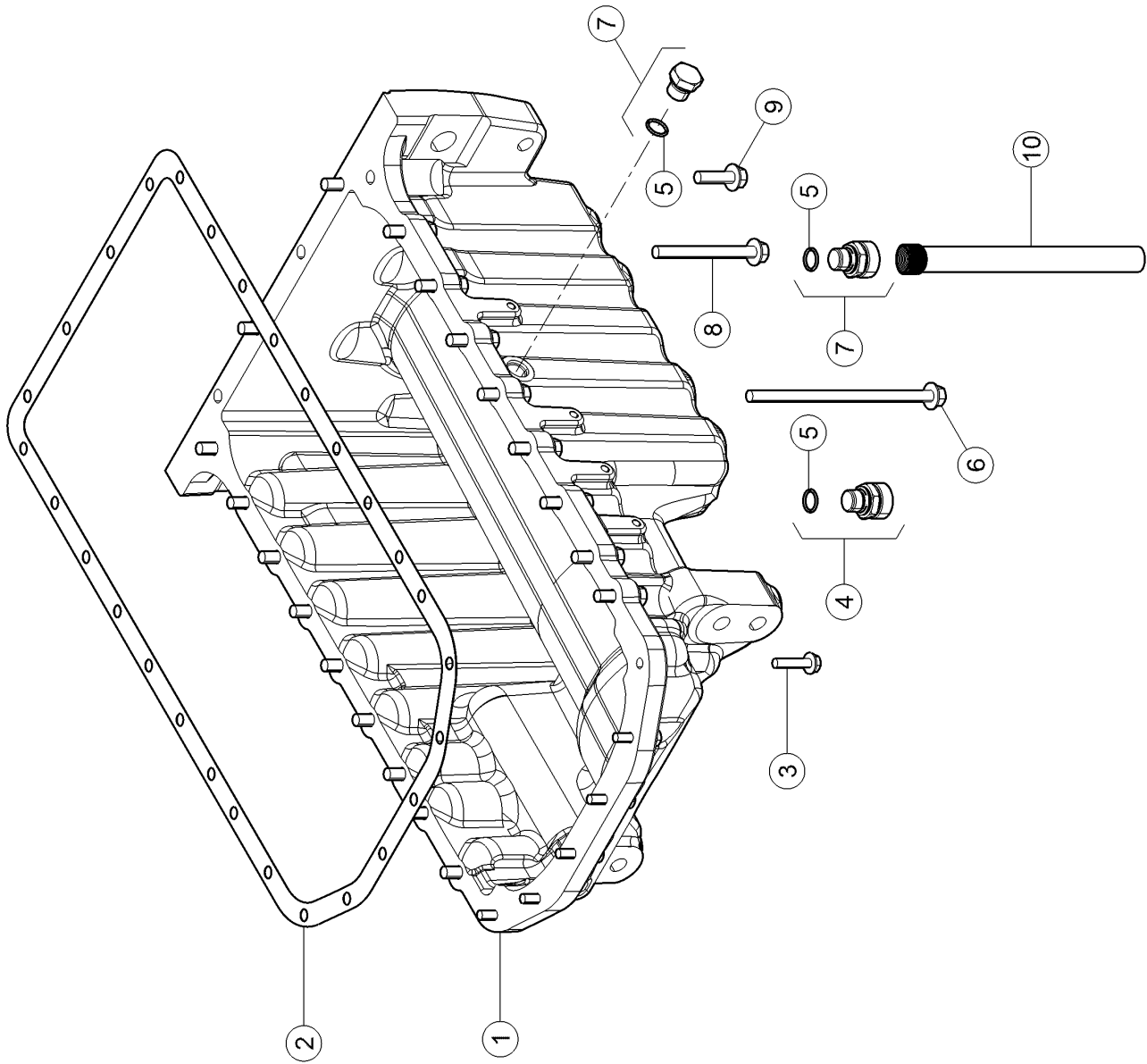
A76

+ ARION 650-610 St4 HEXA



**140 FLYWHEEL HOUSING**

<b>Pos.</b>	<b>Part No.</b>	<b>Description</b>	<b>Dimension</b>	<b>Quantity</b>	<b>Conditions</b>
1	<b>00 1161 402 0</b>	CASING		1	
2	<b>60 0501 604 9</b>	O-RING		1	
3	<b>77 0005 577 1</b>	GASKET		1	
4	<b>00 1169 730 0</b>	LIP SEAL		1	
5	<b>60 0501 611 6</b>	BLANKING COVER		1	
6	<b>60 0502 777 3</b>	SCREW	M16X60	2	
7	<b>60 0502 146 8</b>	SCREW		2	
8	<b>60 0502 625 8</b>	SCREW	12 X 1,75 -37 - M12X40	8	
9	<b>00 1132 476 0</b>	SCREW		1	
10	<b>00 1132 477 0</b>	SCREW	M20X100	1	



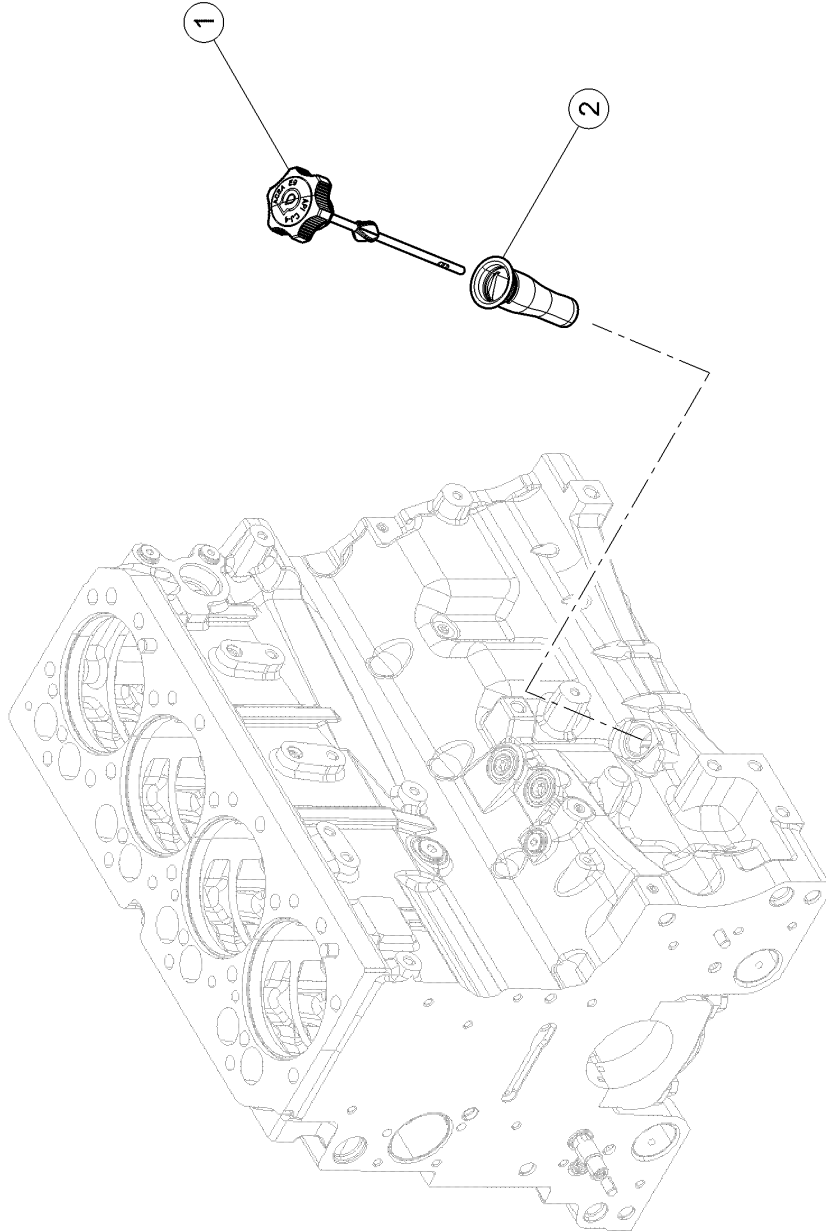
**160 OIL PAN 1)**

Pos.	Part No.	Description	Dimension	Quantity	Conditions
1	<b>00 1166 987 0</b>	OIL SUMP		1	
2	<b>00 1166 771 0</b>	FLAT SEAL		1	
3	<b>60 0502 144 4</b>	SCREW	M8X35	6	
4	<b>00 1161 404 0</b>	PLUG		2	
5	<b>60 0502 160 8</b>	O-RING	15,3X2,2-N	3	
6	<b>00 1132 475 0</b>	SCREW		2	
7	<b>60 0502 160 7</b>	PLUG	F-M18X1,5 ERS.D.7700054	2	
8	<b>60 0502 625 3</b>	SCREW	M10X100	2	
9	<b>60 0502 165 4</b>	SCREW	M10X35	18	
10	<b>00 2611 791 0</b>	RUBBER PIPE		1	

**1) machine type**

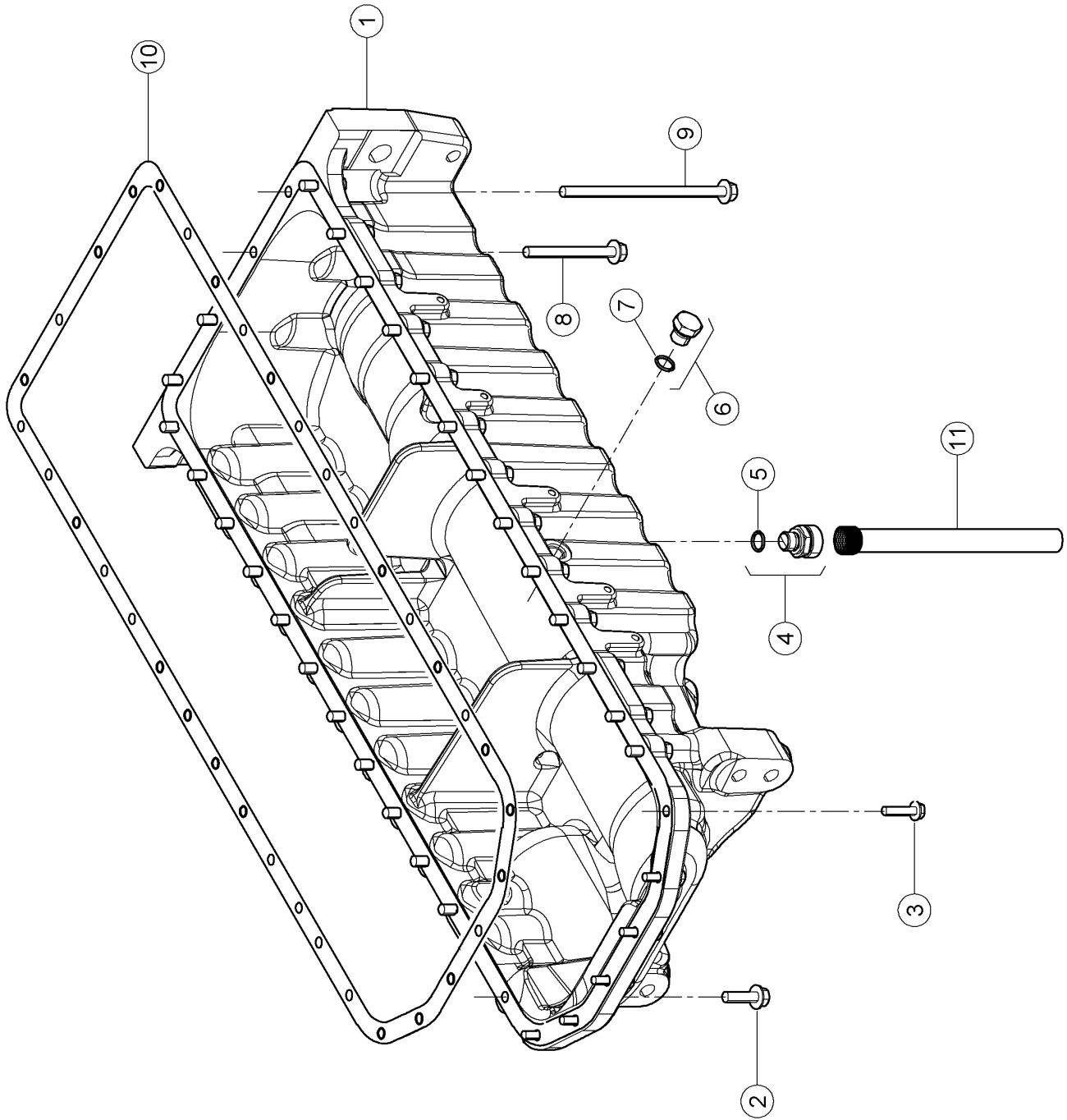
A74

+ ARION 550-510 HEXASHIFT



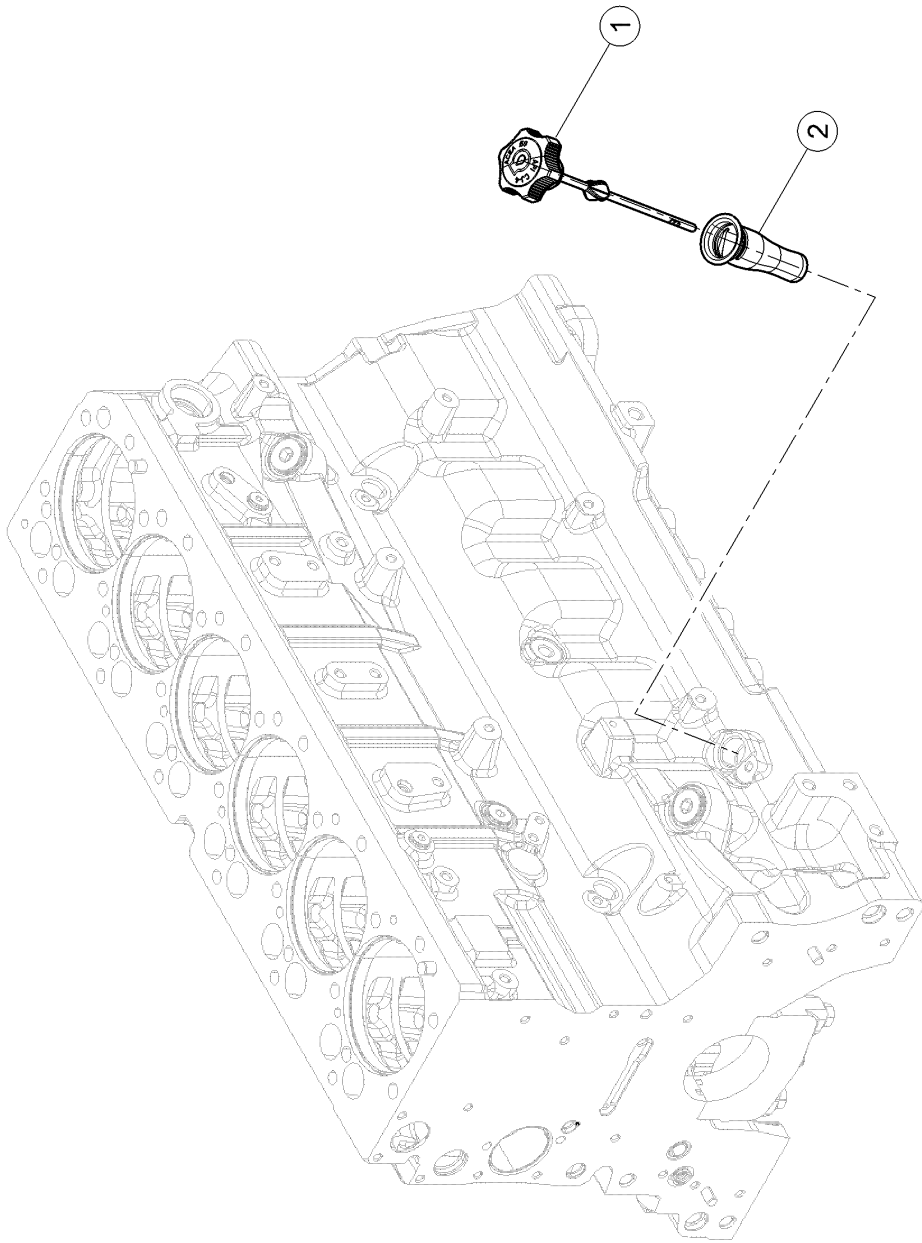
**160 OIL PAN 1)**

Pos.	Part No.	Description	Dimension	Quantity	Conditions
1	<b>00 1145 355 0</b>	GAUGE		1	
2	<b>00 1146 111 0</b>	TUBE		1	
<b>1)</b>	<b>machine type</b>	A74			+ ARION 550-510 HEXASHIFT



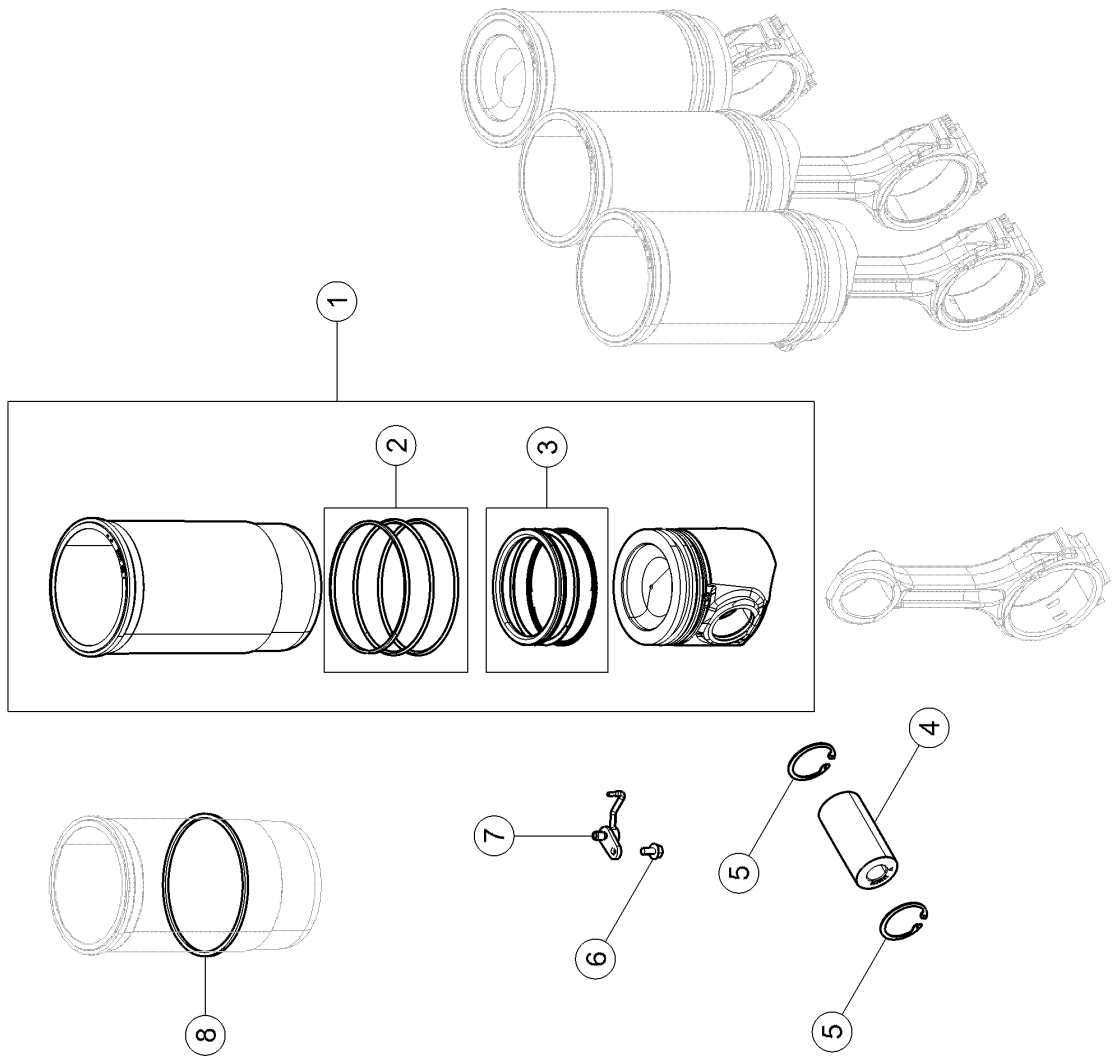
**160 OIL PAN 1)**

Pos.	Part No.	Description	Dimension	Quantity	Conditions
1	<b>00 1166 988 0</b>	OIL SUMP		1	
2	<b>60 0502 165 4</b>	SCREW	M10X35	26	
3	<b>00 1161 525 0</b>	STD SCREW		6	
4	<b>00 1161 404 0</b>	PLUG		2	
5	<b>60 0502 160 8</b>	O-RING	15,3X2,2-N	2	
6	<b>60 0502 160 7</b>	PLUG	F-M18X1,5 ERS.D.7700054	1	
7	<b>60 0502 160 8</b>	O-RING	15,3X2,2-N	1	
8	<b>60 0502 625 3</b>	SCREW	M10X100	2	
9	<b>00 1132 475 0</b>	SCREW		2	
10	<b>00 1166 770 0</b>	FLAT SEAL		1	
11	<b>00 2611 791 0</b>	RUBBER PIPE		1	
<hr/>					
<b>1)</b>	<b>machine type</b>	A76	+ ARION 650-610 St4 HEXA		



**160 OIL PAN 1)**

<b>Pos.</b>	<b>Part No.</b>	<b>Description</b>	<b>Dimension</b>	<b>Quantity</b>	<b>Conditions</b>
1	<b>00 1145 355 0</b>	GAUGE		1	
2	<b>00 1161 526 0</b>	TUBE		1	
<b>1)</b>	<b>machine type</b>	A76			+ ARION 650-610 St4 HEXA



**100 CYLINDER LINER, PISTON 1)**

Pos.	Part No.	Description	Dimension	Quantity	Conditions
1	<b>00 1166 970 0</b>	PISTON-LINER		4	
2	<b>00 1146 460 0</b>	SEALING RING SET		4	
3	<b>00 1164 944 0</b>	SET OF PISTON RINGS		4	
4	<b>00 1167 613 0</b>	SHAFT		4	
5	<b>60 0501 281 4</b>	INNER CIRCLIP		8	
6	<b>00 1145 889 0</b>	SCREW		4	
7	<b>00 1145 888 0</b>	NOZZLE		4	
8	<b>60 0501 281 5</b>	ADJUSTING DISC		4	2)
8	<b>60 0501 281 6</b>	ADJUSTING DISC		4	3)
<b>1)</b>	<b>machine type</b>	A74	+ ARION 550-510 HEXASHIFT		
<b>2)</b>	<b>Remarks</b>		[SR]EP.0.05MM		
<b>3)</b>	<b>Remarks</b>		[SR]EP.0.10MM		



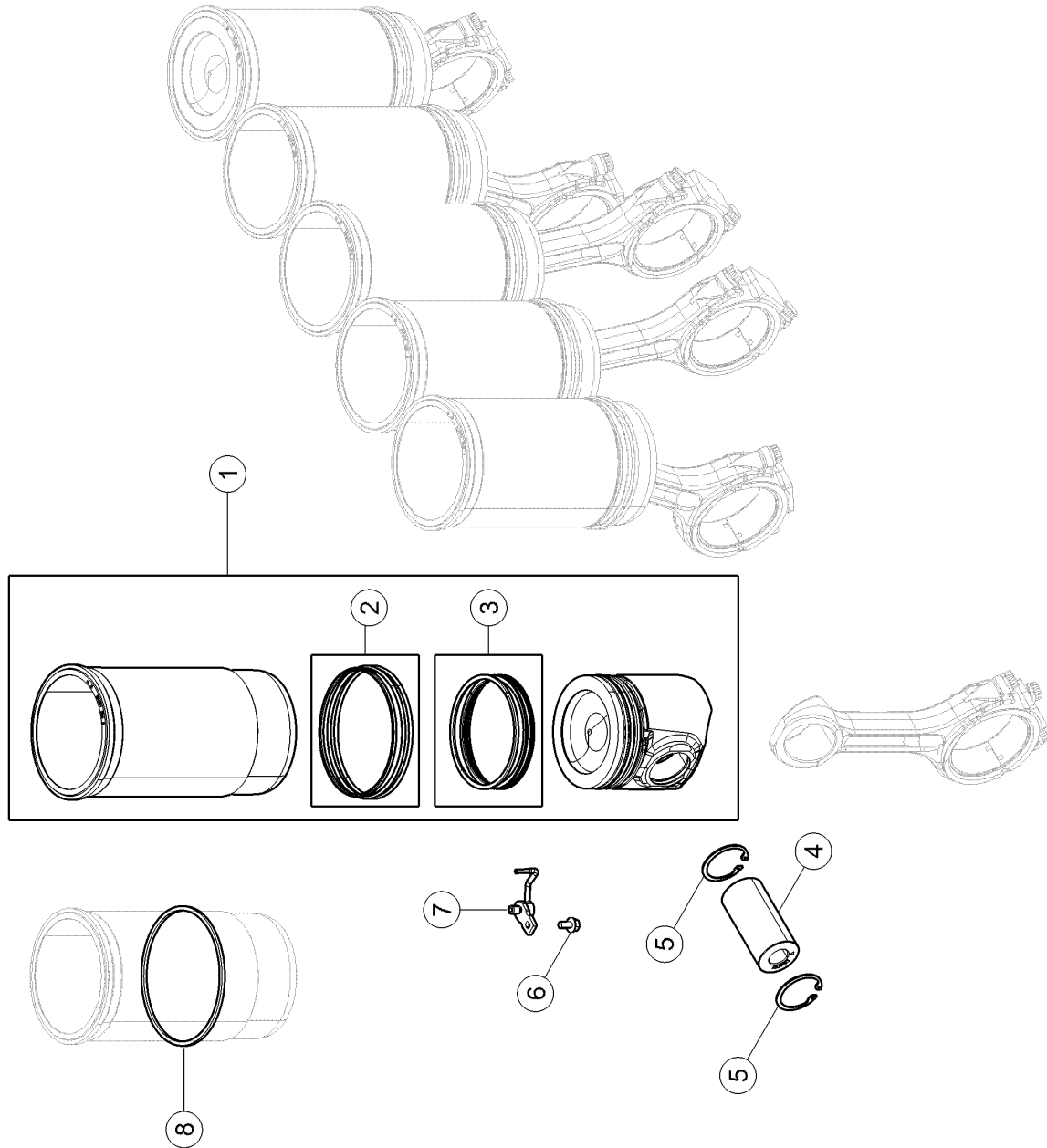
**Suggest:**

**For more complete manuals. Please go to the home page.**

**<https://www.ebooklibonline.com>**

**If the above button click is invalid. Please download this document first, and then click the above link to download the complete manual.**

**Thank you so much for reading**



**100 CYLINDER LINER, PISTON 1)**

Pos.	Part No.	Description	Dimension	Quantity	Conditions
1	<b>00 1166 971 0</b>	PISTON-LINER		6	
2	<b>00 1146 460 0</b>	SEALING RING SET		6	
3	<b>00 1164 944 0</b>	SET OF PISTON RINGS		6	
4	<b>00 1167 613 0</b>	SHAFT		6	
5	<b>60 0501 281 4</b>	INNER CIRCLIP		12	
6	<b>00 1145 889 0</b>	SCREW		6	
7	<b>00 1161 528 0</b>	NOZZLE		6	
8	<b>60 0501 281 5</b>	ADJUSTING DISC		6	2)
8	<b>60 0501 281 6</b>	ADJUSTING DISC		6	3)
<b>1)</b>	<b>machine type</b>	A76	+ ARION 650-610 St4 HEXA		
<b>2)</b>	<b>Remarks</b>		[SR] EP 0.05MM		
<b>3)</b>	<b>Remarks</b>		[SR] EP 0.10MM		

**<https://www.ebooklibonline.com>**

Hello dear friend!

Thank you very much for reading.

Enter the link into your browser.

The full manual is available for immediate download.

**<https://www.ebooklibonline.com>**