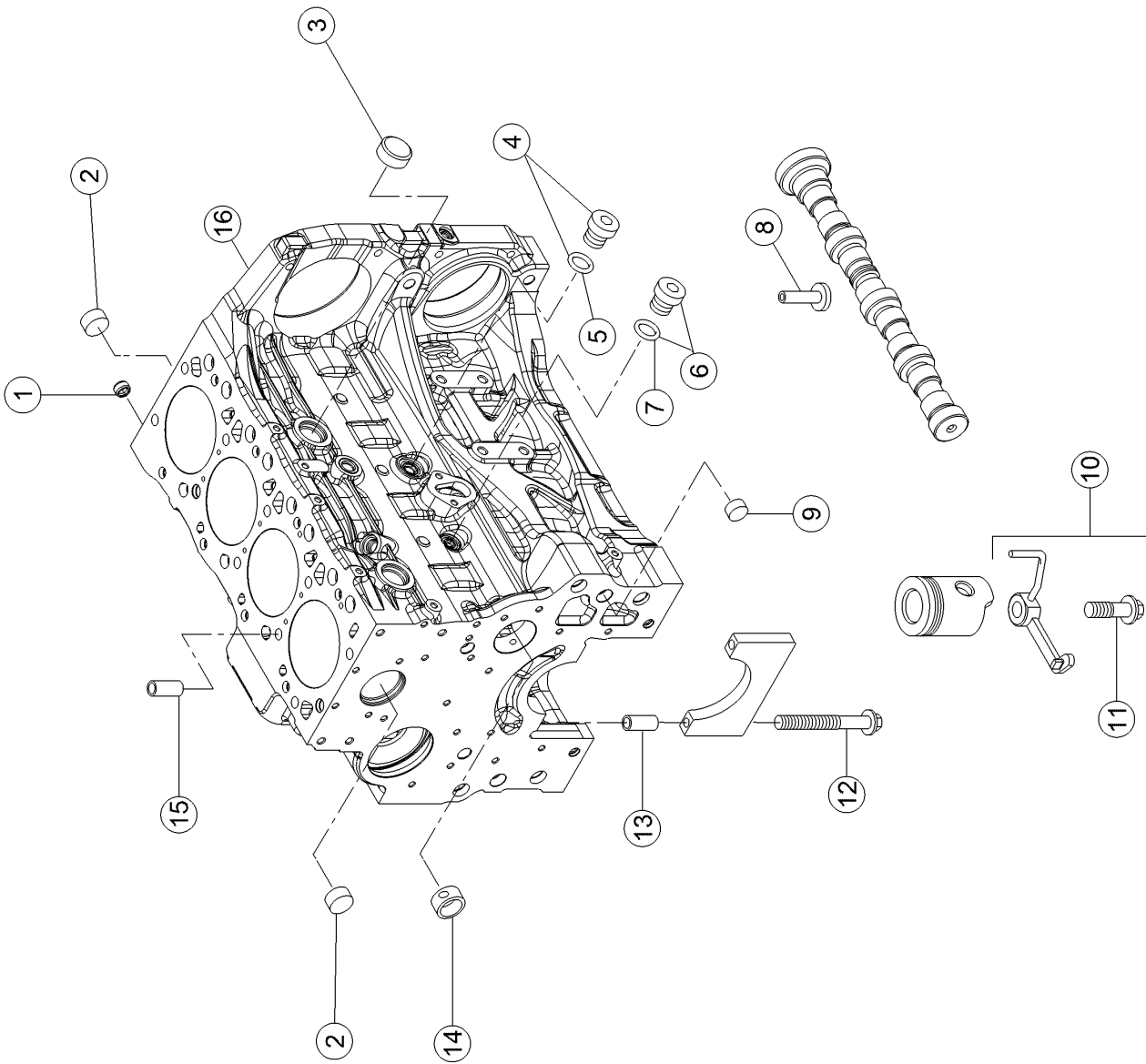


010 COMPLETE ENGINE

Pos.	Part No.	Description	Dimension	Quantity	Conditions
1	00 2232 361 0	ENGINE		1	1)
1	00 2232 363 0	ENGINE		1	2)
1	00 2232 365 0	ENGINE		1	3)
1	00 2168 118 2	ENGINE		1	4)
1)	Equipment	TH_P02_0035	105 hp rated output, 110 hp max. output, ECE R 120		
2)	Equipment	TH_P02_0040	115 hp rated output, 120 hp max. output, ECE R 120		
3)	Equipment	TH_P02_0050	125 hp rated output, 130 hp max. output, ECE R 120		
4)	Equipment	TH_P02_0060	135 hp rated output, 140 hp max. output, ECE R 120		



<https://www.ebooklibonline.com>

Hello dear friend!

Thank you very much for reading.

Enter the link into your browser.

The full manual is available for immediate download.

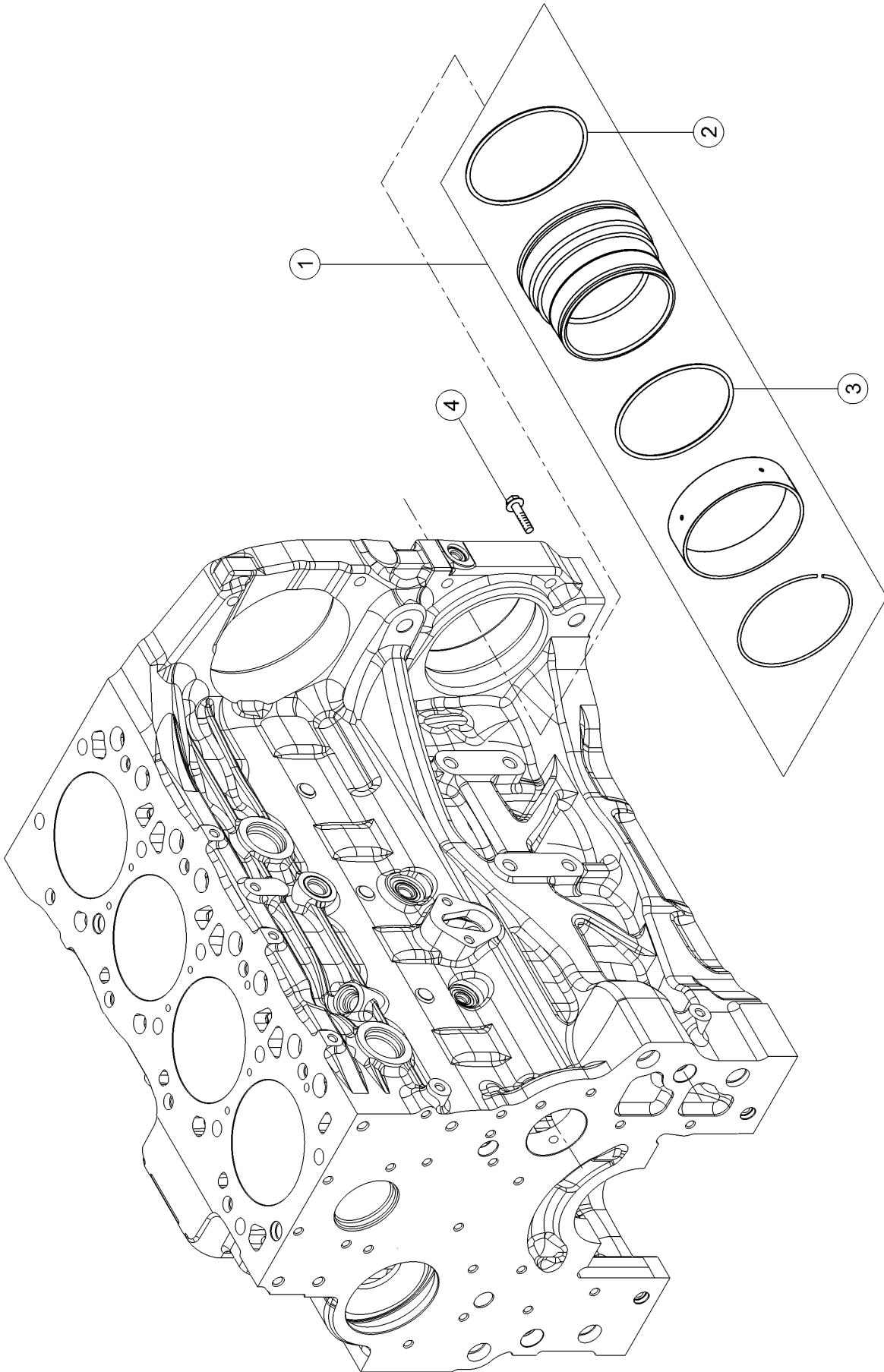
<https://www.ebooklibonline.com>

100 CRANKCASE

Pos.	Part No.	Description	Dimension	Quantity	Conditions
1	00 1139 588 0	NOZZLE		1	
2	60 0503 098 0	PLUG		4	
3	60 0503 098 2	PLUG		2	
4	60 0503 100 0	PLUG		1	
5	60 0503 100 1	O-RING		1	
6	60 0503 098 3	PLUG		2	
7	60 0503 098 4	O-RING		2	
8	00 1149 427 0	PUSHROD		8	
9	60 0503 099 0	PLUG		2	
10	60 0503 099 8	NOZZLE		4	1)
10	00 1164 565 0	NOZZLE		4	2)
11	60 0503 099 7	SCREW		4	1)
12	60 0503 098 5	SCREW		10	
13	60 0503 098 6	CENTRING PIN		10	
14	60 0503 098 1	BUSHING		1	
15	60 0503 098 7	CENTRING PIN		2	
16	00 1167 354 0	CRANKCASE		1	

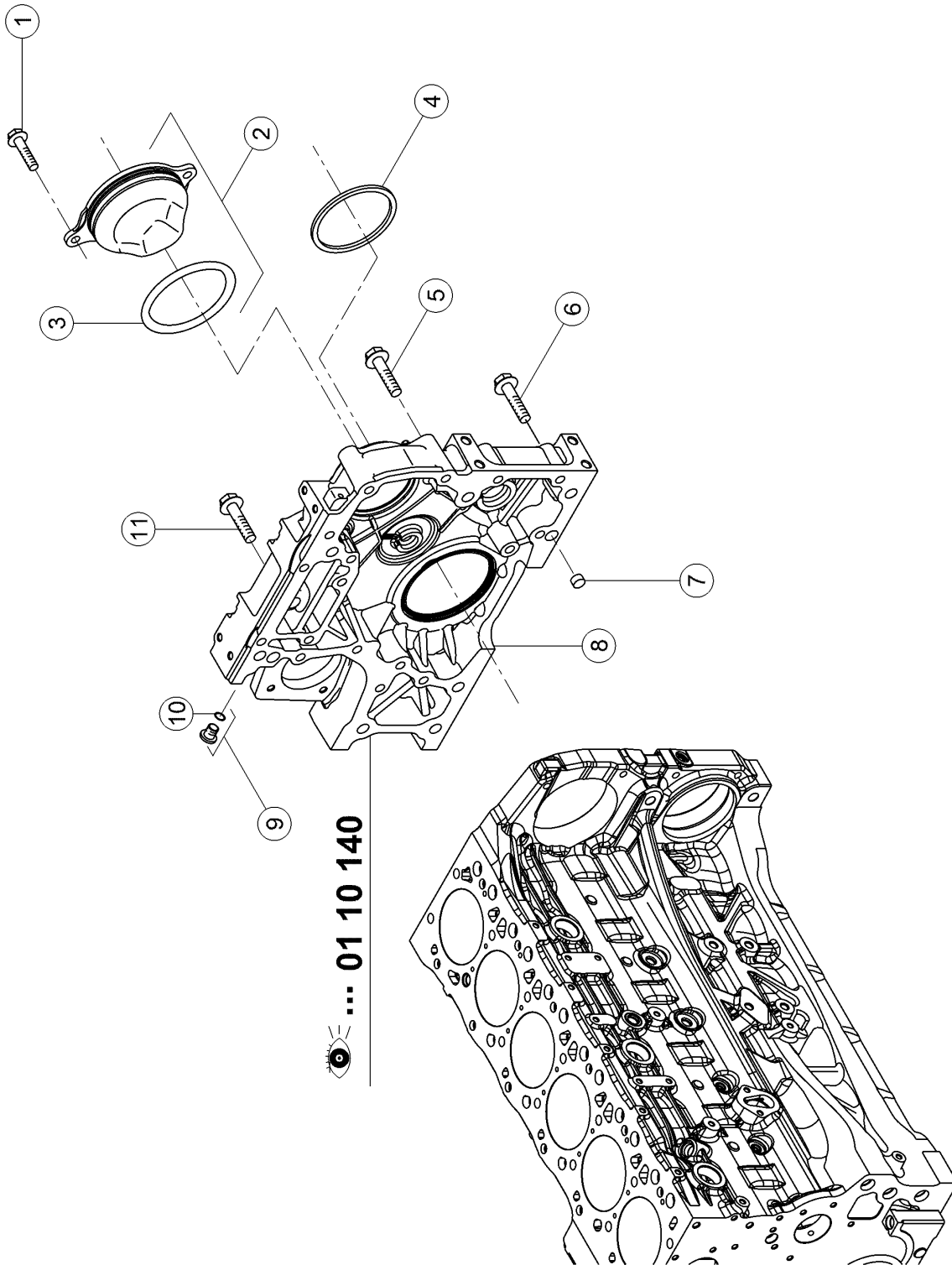
1) machine no. + up to A4302796
 - A4302771
 - A4302773
 - A4302781
 - A4302784
 - A4302788
 - A4302793
 + A4302887
 + A4302963
 Un to Engine N° 1444454

2) machine no. + A4302771
 + A4302772
 + A4302773
 + A4302777
 + A4302781
 + A4302784
 + A4302788
 + A4302790
 + A4302792
 + A4302793



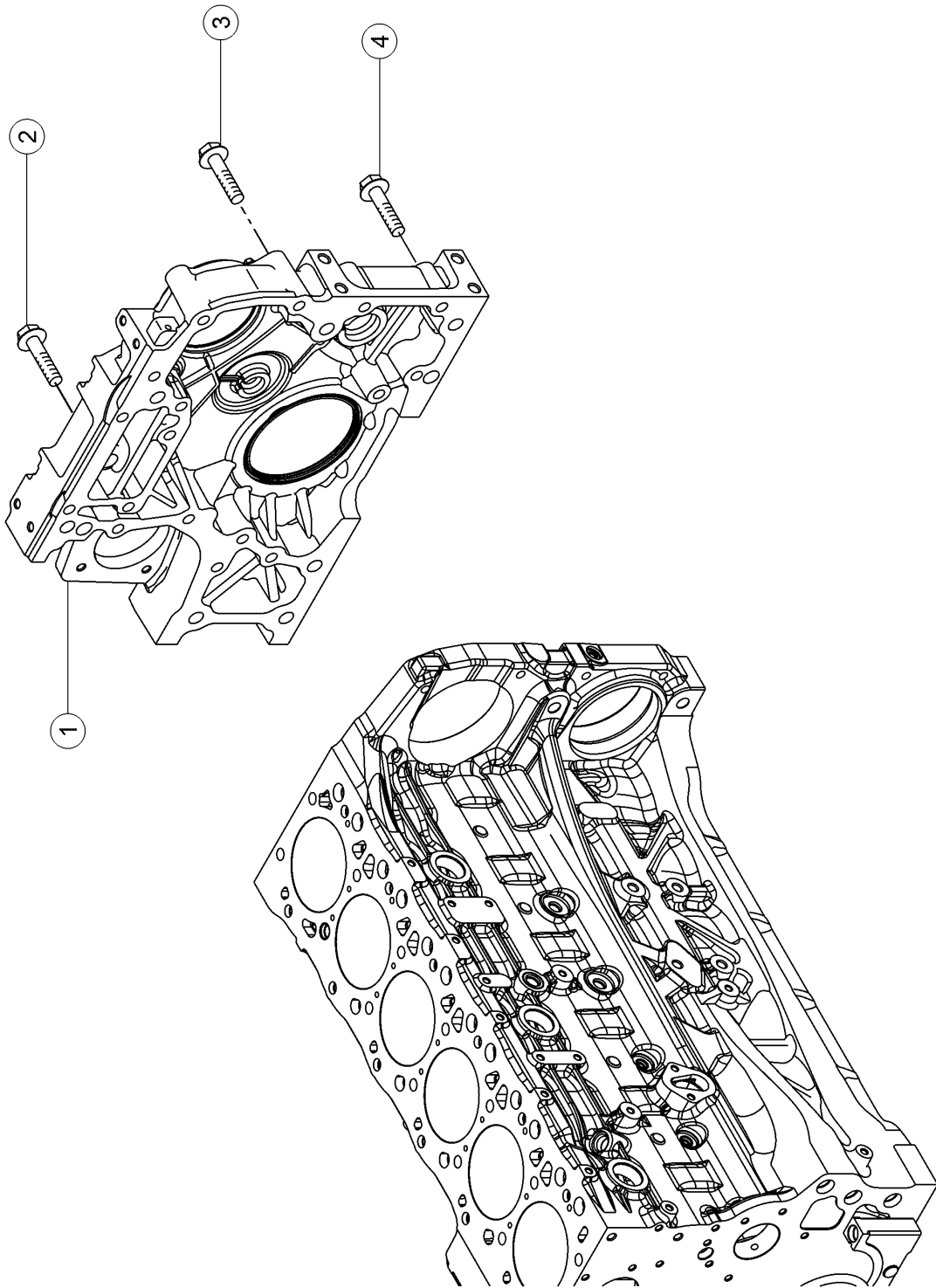
100 CRANKCASE

Pos.	Part No.	Description	Dimension	Quantity	Conditions
1	00 1153 600 0	SMOOTH RING		1	
2	60 0503 120 1	O-RING		1	
3	60 0503 120 2	O-RING		1	
4	00 1153 601 0	STD SCREW		1	



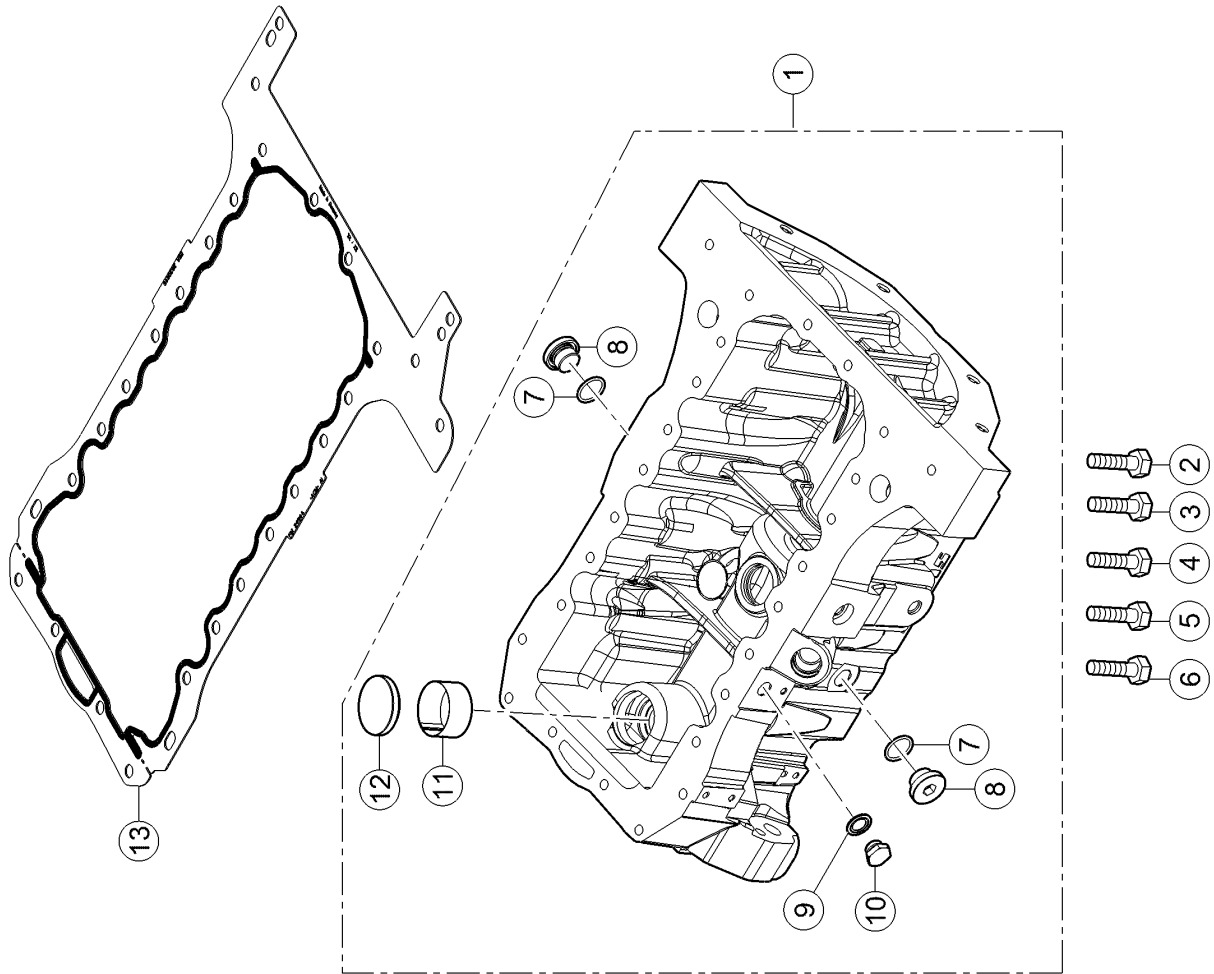
120 TIMING CASE

Pos.	Part No.	Description	Dimension	Quantity	Conditions
1	60 0503 112 2	SCREW		2	
2	00 1149 462 0	COVER		1	
3	00 1139 454 0	O-RING		1	
4	00 1147 783 0	SEALING RING		1	
5	00 1139 460 0	SCREW		1	
6	00 1139 457 0	SCREW		1	
7	60 0503 100 8	CENTRING PIN		2	
8	00 1149 460 0	CASING		1	
9	60 0503 099 3	PLUG		1	
10	60 0503 099 4	O-RING		1	
11	00 1139 458 0	SCREW		15	



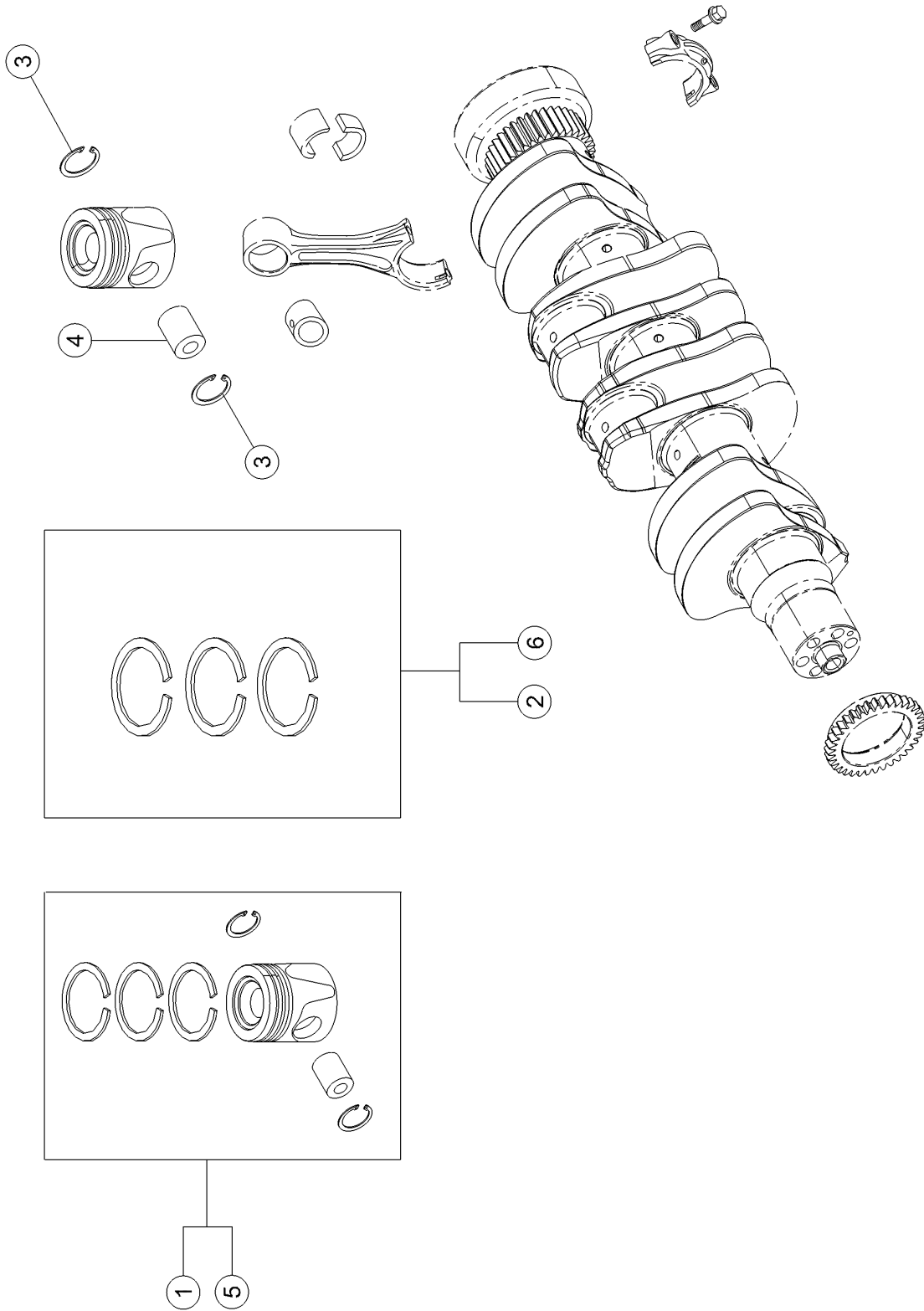
140 FLYWHEEL HOUSING

Pos.	Part No.	Description	Dimension	Quantity	Conditions
1	00 1149 460 0	CASING		1	
2	00 1139 458 0	SCREW		15	
3	00 1139 460 0	SCREW		1	
4	00 1139 457 0	SCREW		1	



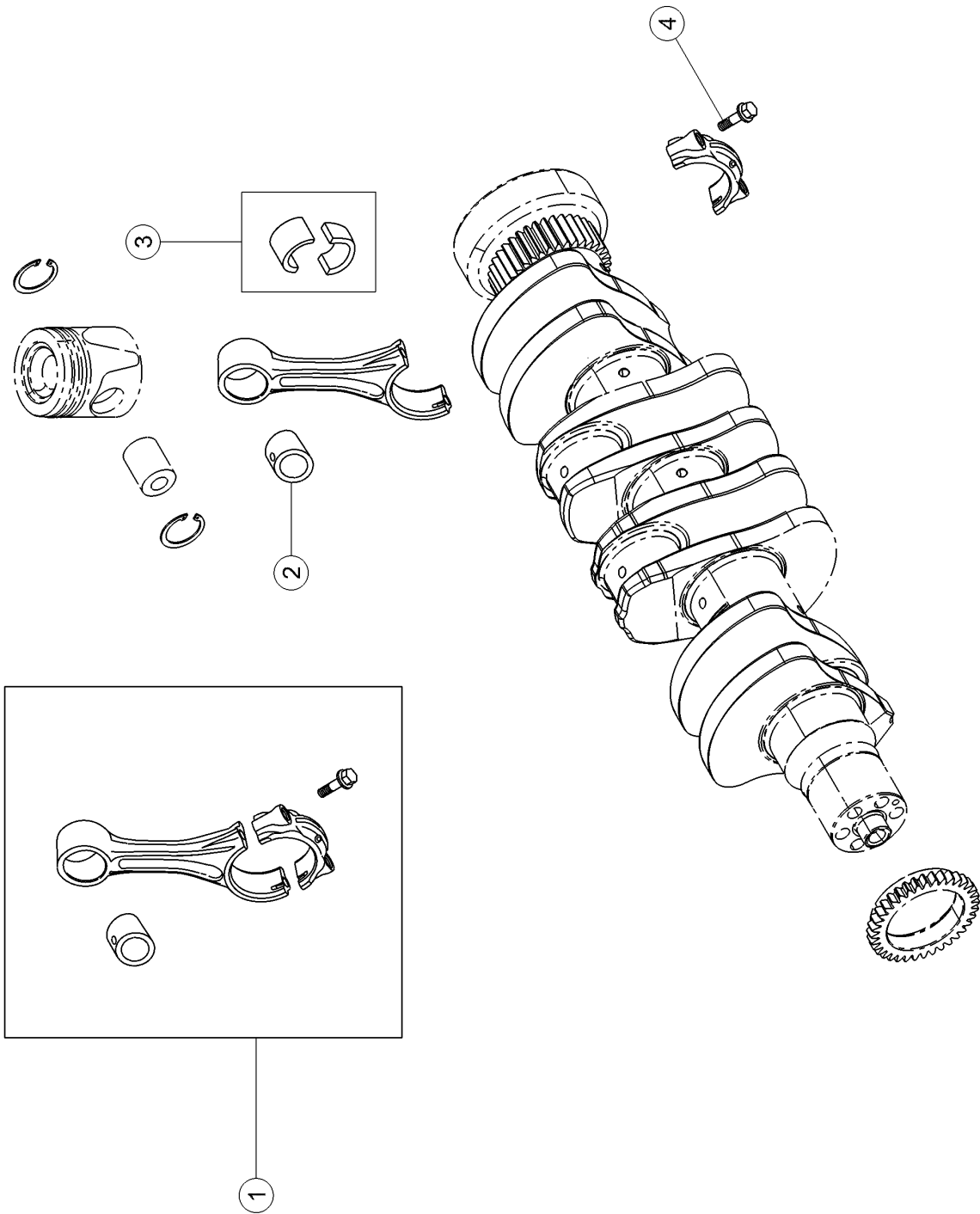
160 OIL PAN

Pos.	Part No.	Description	Dimension	Quantity	Conditions
1	00 1158 717 0	CASING		1	
2	00 1152 885 0	SCREW		16	
3	00 1152 711 0	SCREW		4	
4	00 1152 886 0	SCREW		2	
5	00 1152 887 0	SCREW		2	
6	00 1152 888 0	SCREW		2	
7	60 0503 101 1	O-RING		2	
8	60 0503 101 0	SCREW PLUG		2	
9	60 0503 132 7	GASKET		1	
10	60 0502 555 9	LOCK		1	
11	60 0503 101 4	ENGINE OIL FILTER		1	
12	60 0503 101 5	LOCK		1	
13	00 1152 889 0	FLAT SEAL		1	



100 CYLINDER LINER, PISTON

Pos.	Part No.	Description	Dimension	Quantity	Conditions
1	00 1152 892 0	ENGINE PISTON		4	1)
1	00 1160 052 0	ENGINE PISTON		4	2)
2	00 1152 894 0	SET OF PISTON RINGS		4	1)
2	00 1160 050 0	SET OF PISTON RINGS		4	2)
3	00 1149 532 0	INT RETAINING RING		8	
4	00 1149 533 0	AXLE		4	
5	00 1171 770 0	ENGINE PISTON		4	3)
5	00 1171 742 0	ENGINE PISTON		4	4)
6	00 1171 769 0	SET OF PISTON RINGS		4	3)
6	00 1171 741 0	SET OF PISTON RINGS		4	4)
1)	machine no.		+ up to A4300175 standard design		
2)	machine no.		+ from A4300176 standard design		
3)	machine no.		+ up to A4300175 +0,4		
4)	machine no.		+ from A4300176 +0,4		



120 CONNECTING ROD, CONNECTING ROD BEARINGS

Pos.	Part No.	Description	Dimension	Quantity	Conditions
1	00 1149 550 0	ROD (ENGINE)		4	1)
1	00 1166 560 0	ROD (ENGINE)		4	2)
2	00 1149 551 0	RING		4	
3	00 1152 896 0	SET OF BEARING BUSHES		4	3)
3	00 1152 897 0	SET OF BEARING BUSHES		4	4)
3	00 1152 898 0	SET OF BEARING BUSHES		4	5)
4	60 0503 108 9	SCREW		8	

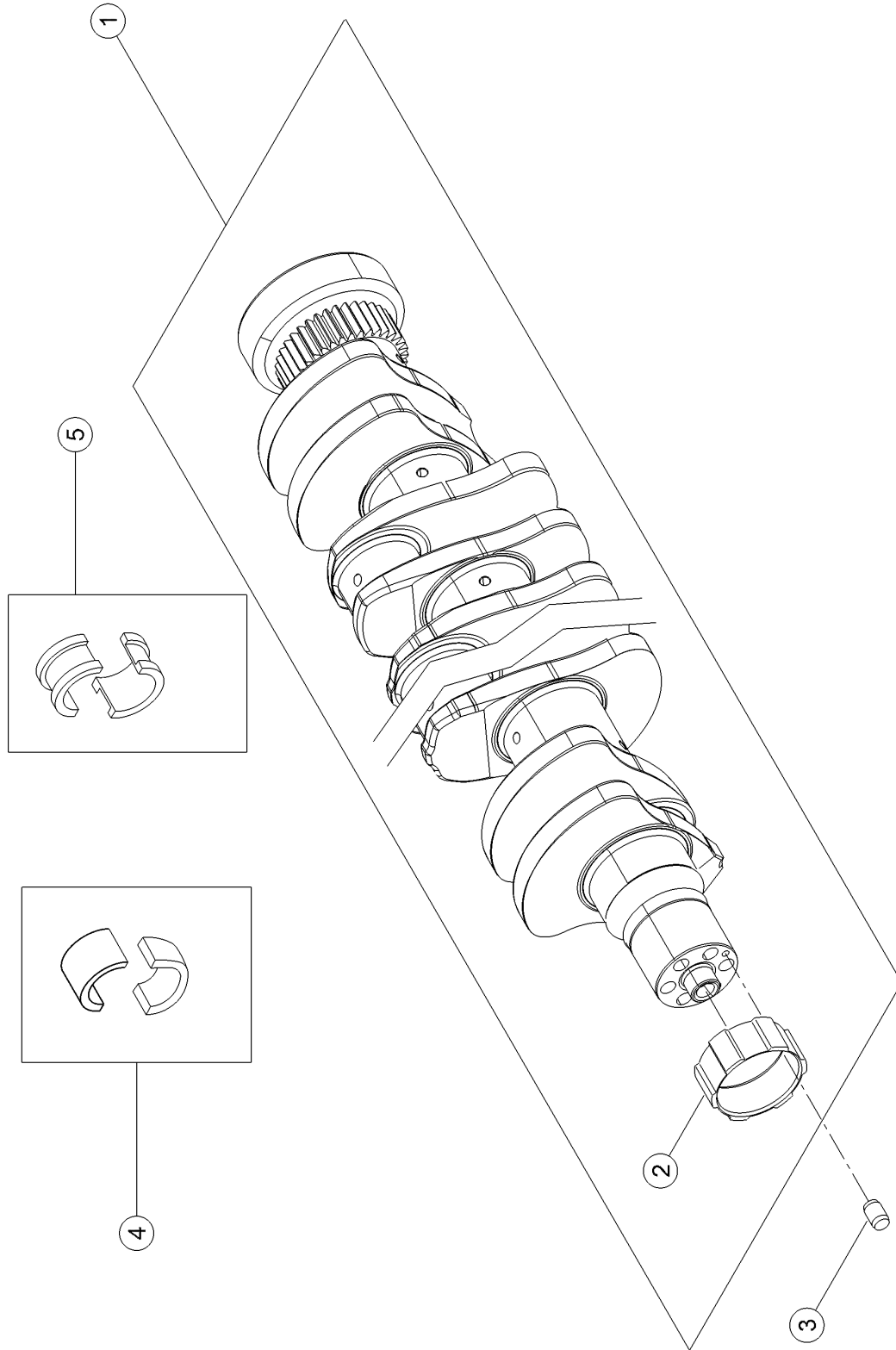
1) machine no. + up to A4304047
 - A4303969
 - A4303970
 - A4303973
 - A4303974
 - A4303975
 - A4303980
 - A4303983
 - A4303984
 - A4303986

2) machine no. + A4303969
 + A4303970
 + A4303973
 + A4303974
 + A4303975
 + A4303980
 + A4303983
 + A4303984
 + A4303986
 + A4303990

3) Remarks STANDARD

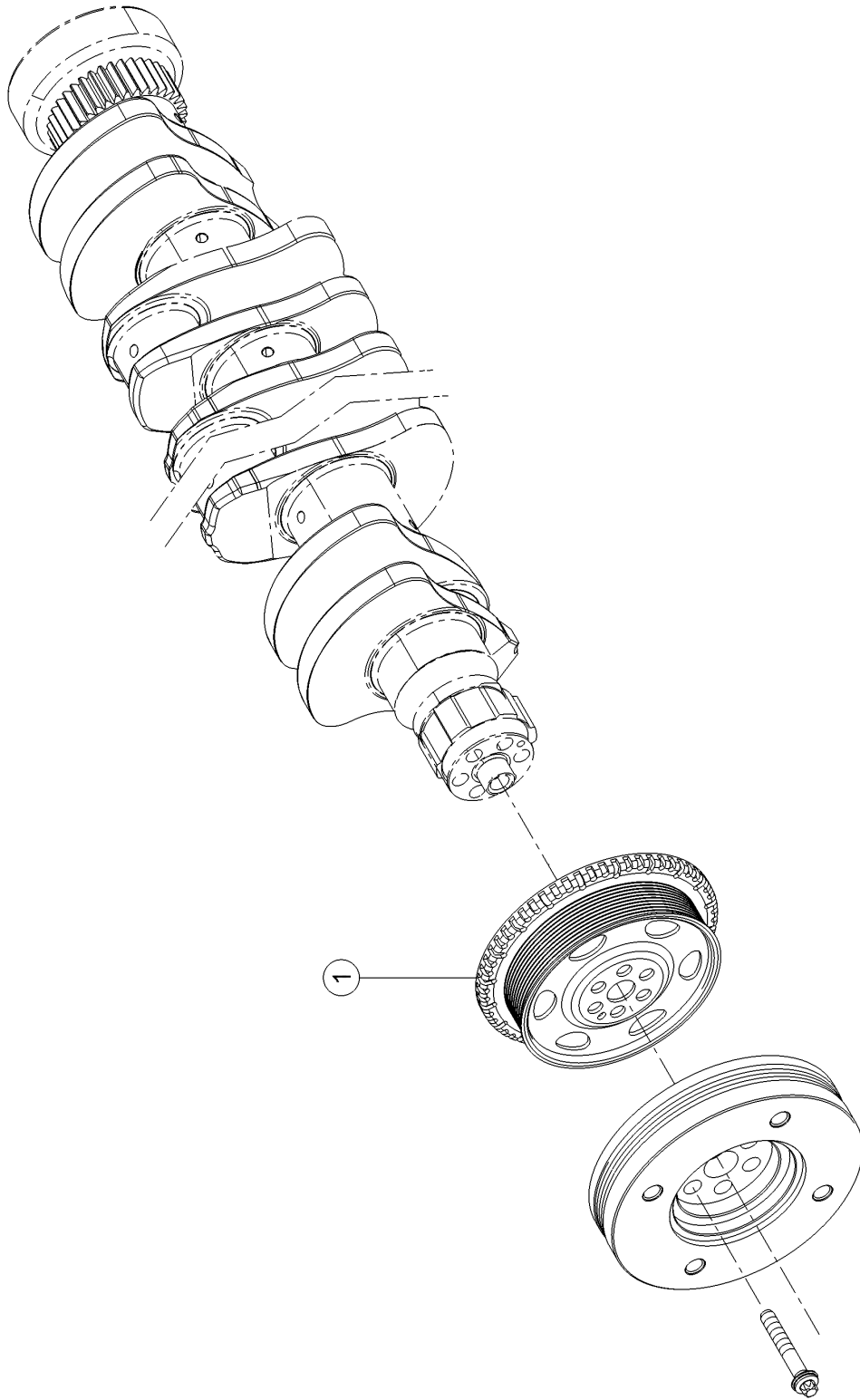
4) Remarks -0,250

5) Remarks -0,500



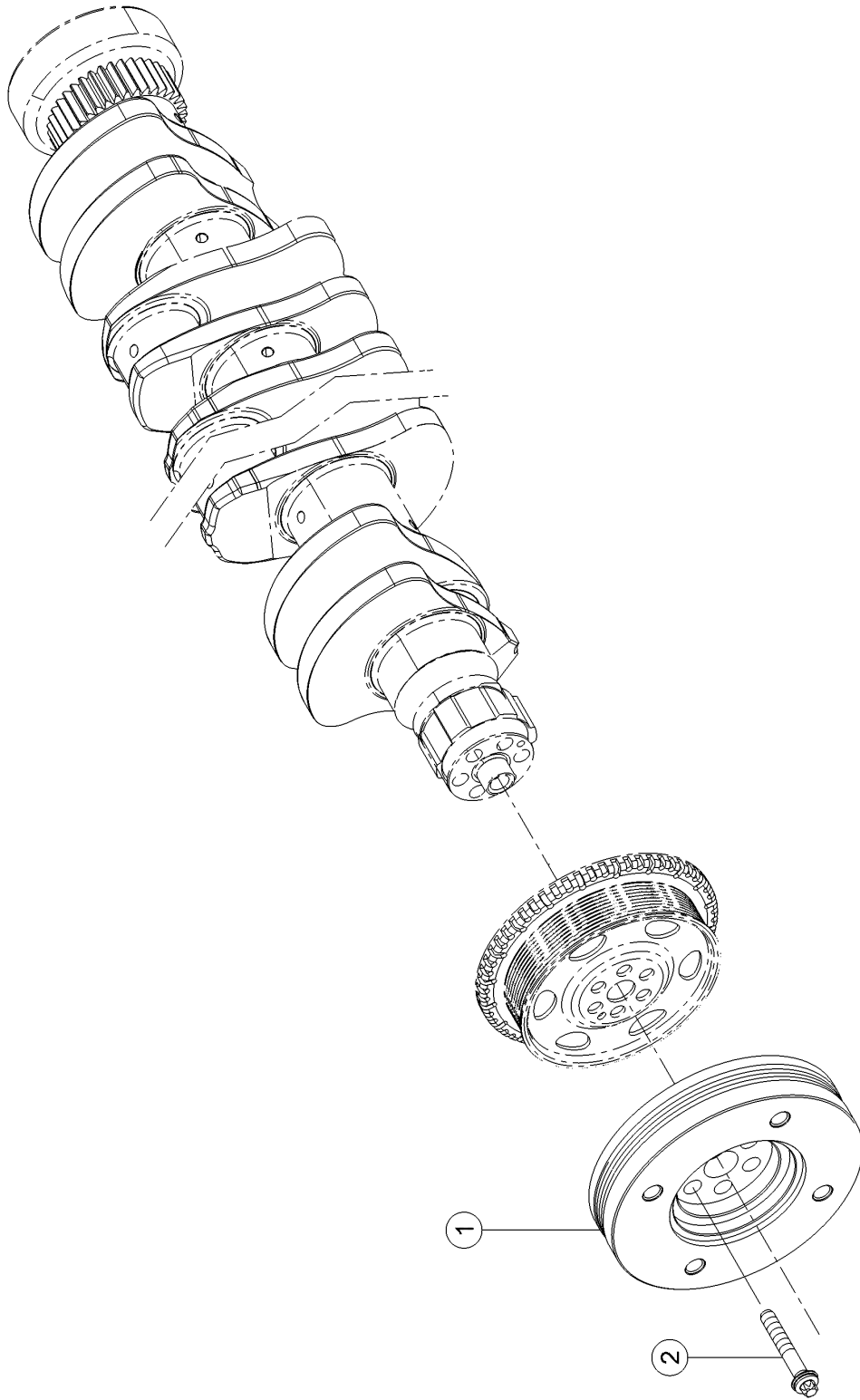
140 CRANKSHAFT

Pos.	Part No.	Description	Dimension	Quantity	Conditions
1	00 1152 902 0	CRANKSHAFT		1	
2	00 1139 671 0	BUSHING		1	
3	00 1138 511 0	CENTRING PIN		1	
4	00 1149 562 0	SET OF BEARING BUSHES		4	1)
4	00 1150 898 0	SET OF BEARING BUSHES		4	2)
4	00 1150 900 0	SET OF BEARING BUSHES		4	3)
5	00 1149 563 0	SET OF BEARING BUSHES		1	1)
5	00 1150 901 0	SET OF BEARING BUSHES		1	2)
5	00 1150 902 0	SET OF BEARING BUSHES		1	3)
1)	Remarks		STANDARD		
2)	Remarks		-0,250		
3)	Remarks		-0,500		



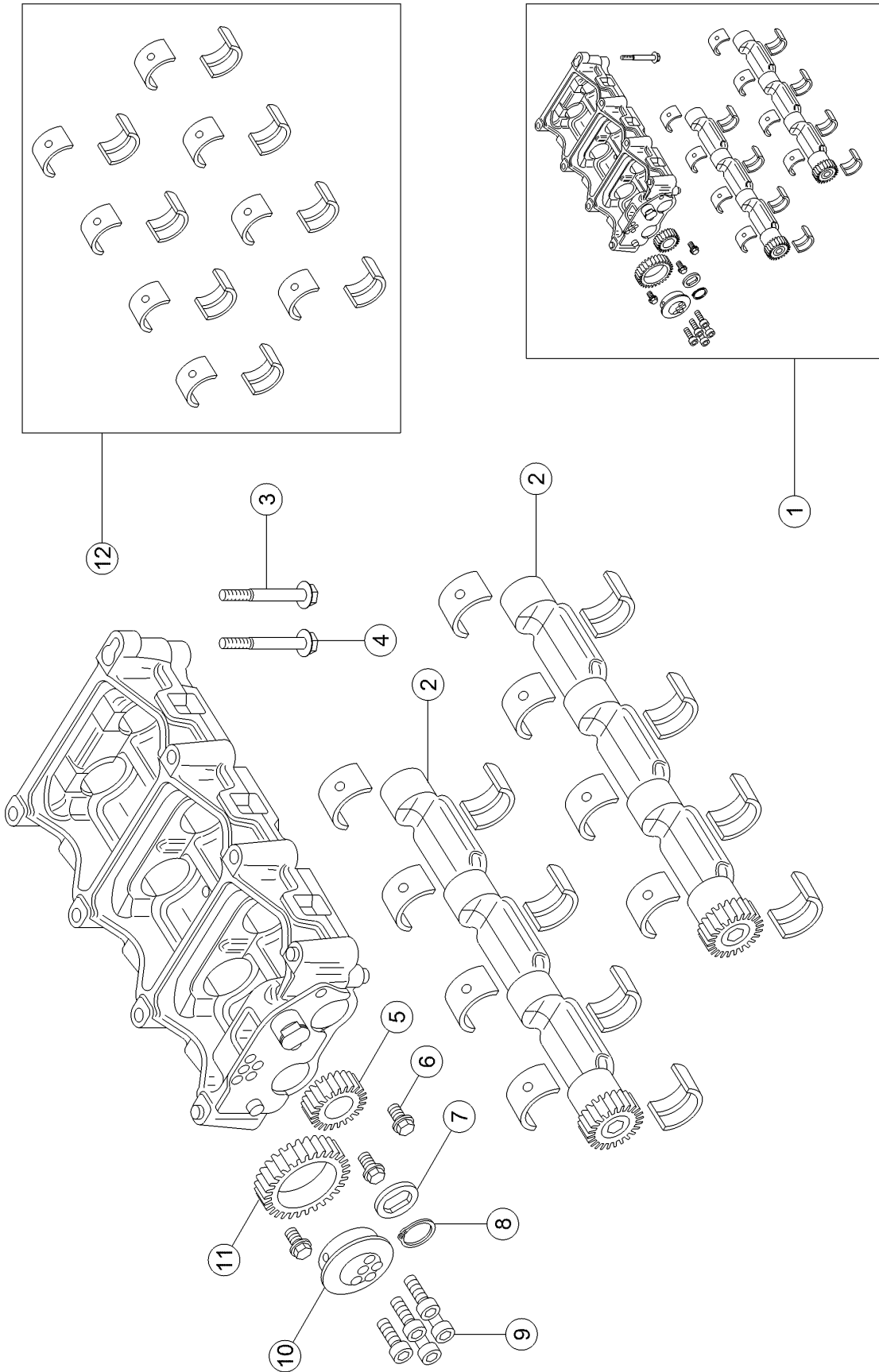
160 CRANKSHAFT PULLEY WHEEL

Pos.	Part No.	Description	Dimension	Quantity	Conditions
1	00 1149 566 0	PULLEY		1	



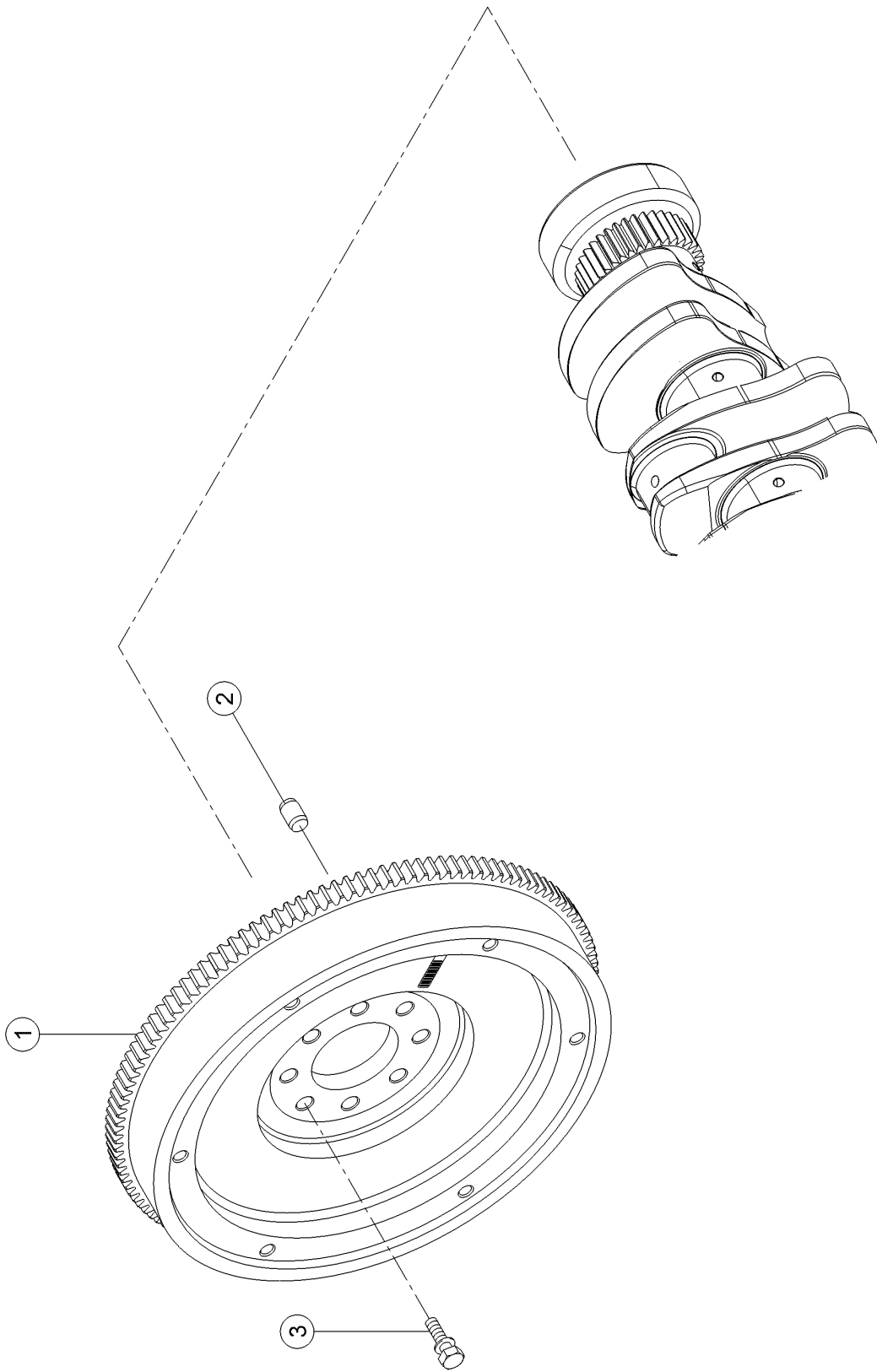
180 CRANKSHAFT DAMPER

Pos.	Part No.	Description	Dimension	Quantity	Conditions
1	00 1152 907 0	ANTI-VIBRATION WHEEL		1	
2	60 0503 104 3	SCREW		6	



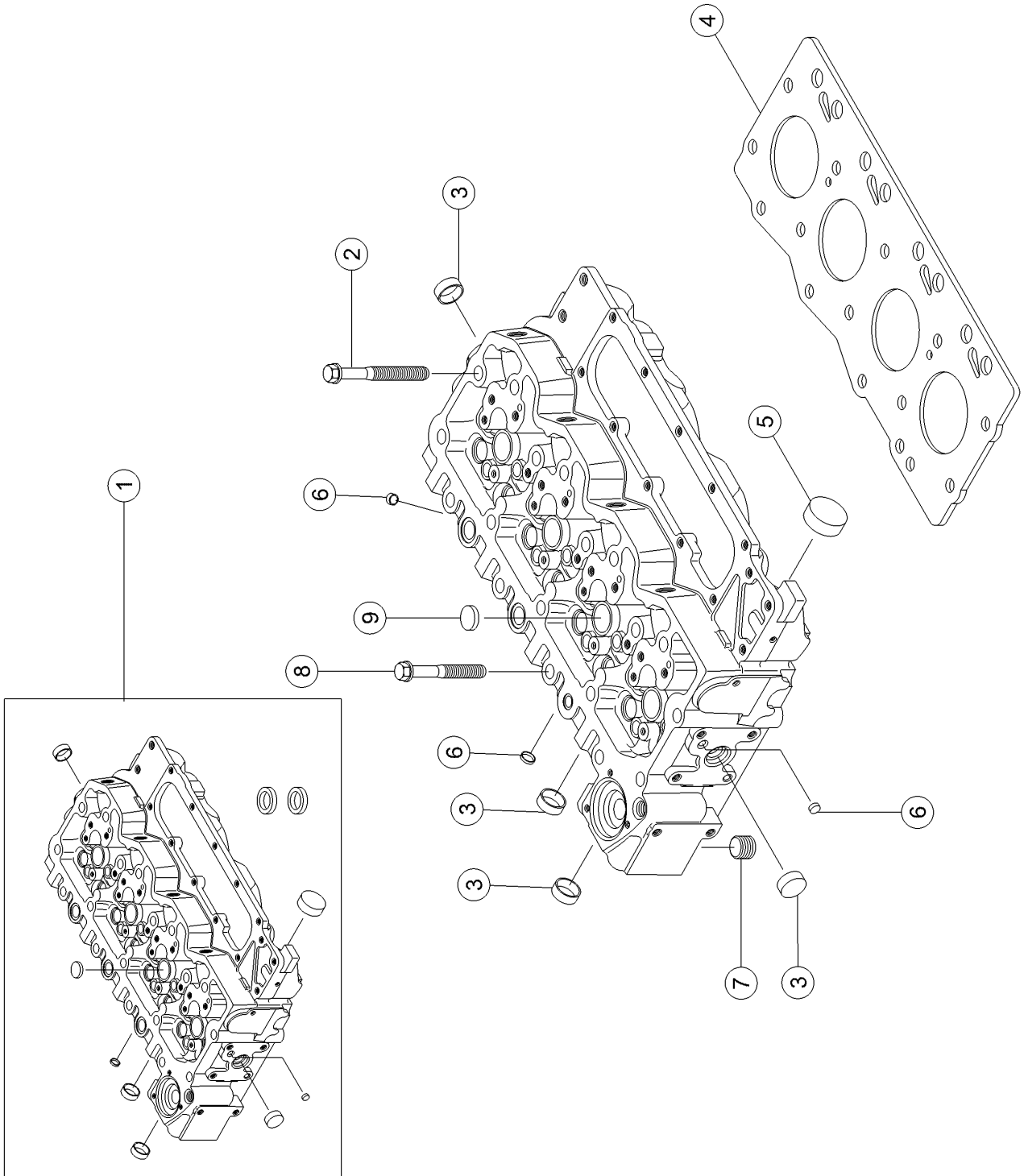
200 MASS BALANCING

Pos.	Part No.	Description	Dimension	Quantity	Conditions
1	00 1138 515 0	CRANKSHAFT DAMPER		1	
2	60 0503 111 4	SHAFT		2	
3	60 0503 112 7	SCREW		1	
4	00 1139 781 0	SCREW		7	
5	60 0503 111 6	WHEEL		1	
6	60 0503 112 2	SCREW		3	
7	60 0503 111 7	WASHER		1	
8	60 0503 111 8	WASHER		1	
9	60 0503 112 0	SCREW		5	
10	60 0503 112 1	HUB		1	
11	60 0503 112 3	WHEEL		1	
12	00 1152 694 0	BEARING BUSH		1	



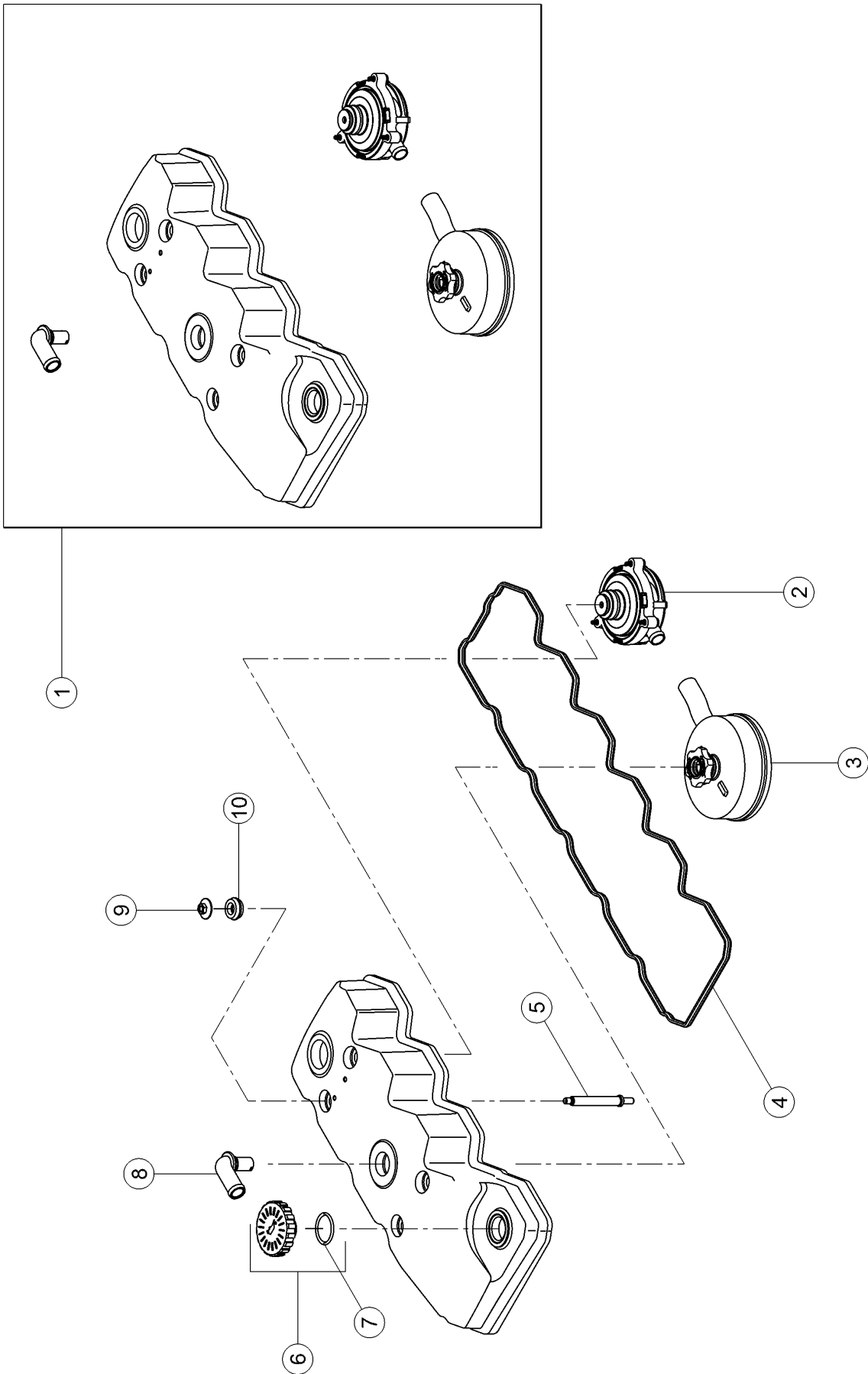
220 FLYWHEEL

Pos.	Part No.	Description	Dimension	Quantity	Conditions
1	00 1152 909 0	FLYWHEEL		1	
2	60 0503 111 0	CENTRING PIN		1	
3	60 0503 111 1	SCREW		8	



100 CYLINDER HEAD

Pos.	Part No.	Description	Dimension	Quantity	Conditions
1	00 1152 911 0	CYLINDER HEAD		1	
2	00 1149 574 0	SCREW		10	
3	00 1139 905 0	PLUG		9	
4	00 1152 816 0	CYLINDER HEAD GASKET		1	1)
4	00 1160 921 0	CYLINDER HEAD GASKET		1	2)
5	00 1149 576 0	PLUG		2	
6	00 1149 572 0	PLUG		5	
7	00 1149 575 0	PLUG		1	
8	00 1149 573 0	SCREW		8	
9	60 0503 099 1	PLUG		7	
1)	Remarks		ép.1,25mm		
2)	Remarks		ép.1,15mm		

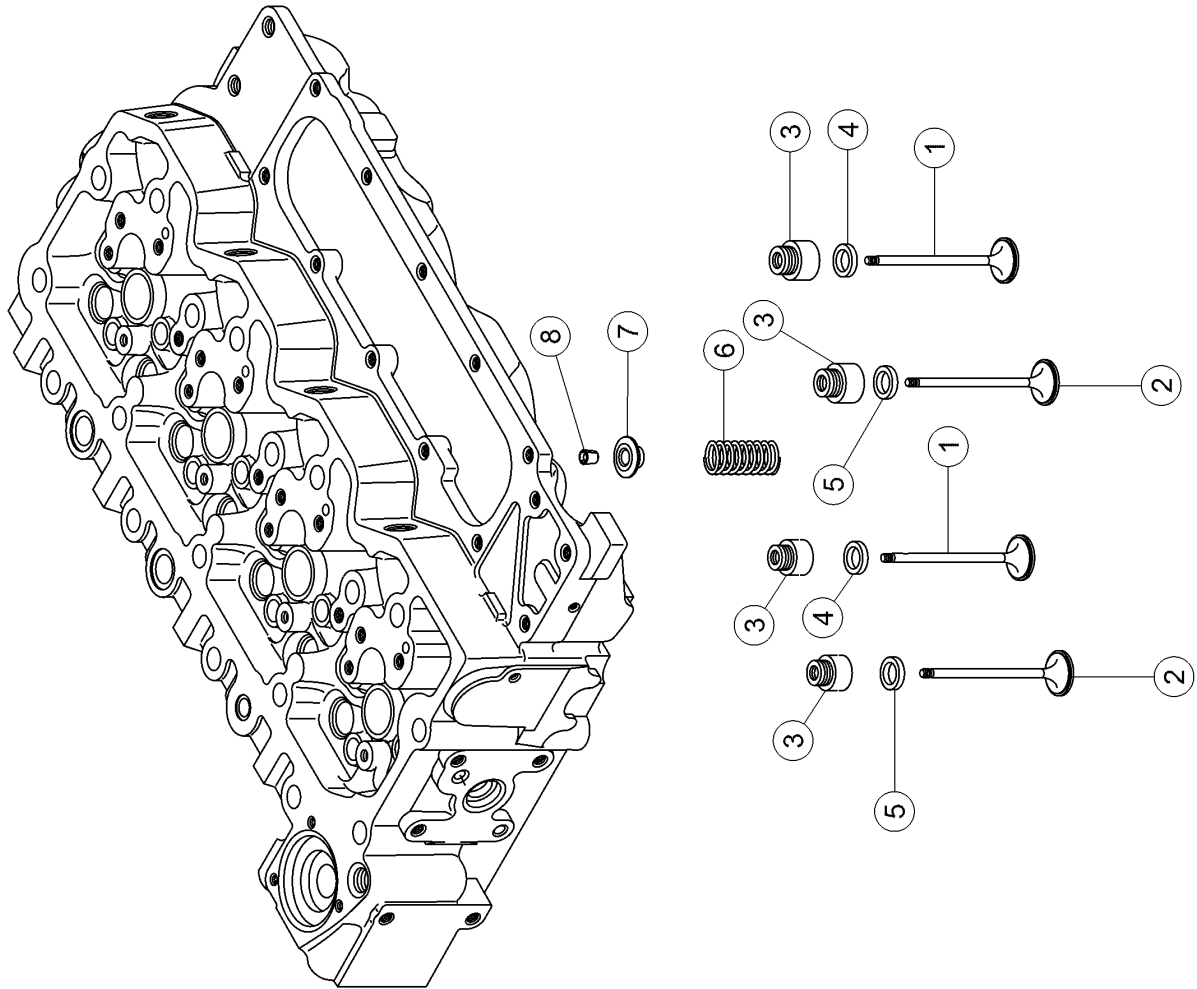


120 CYLINDER HEAD COVER

Pos.	Part No.	Description	Dimension	Quantity	Conditions
1	00 1152 918 0	ROCKER COVER		1	1)
1	00 1164 147 0	ROCKER COVER		1	2)
2	00 1149 659 0	HYDRAULIC VALVE		1	1)
2	00 1164 149 0	HYDRAULIC VALVE		1	2)
3	00 1149 660 0	OIL VAPOUR FILTER		1	1)
3	00 1164 150 0	OIL VAPOUR FILTER		1	2)
4	00 1152 920 0	SEALING RING		1	
5	00 1149 662 0	STUD BOLT		4	
6	00 1149 664 0	PLUG		1	
7	00 1149 665 0	O-RING		1	
8	00 1149 668 0	TUBE		1	
9	00 1149 667 0	PLUG		4	
10	00 1149 666 0	SEALING RING		4	

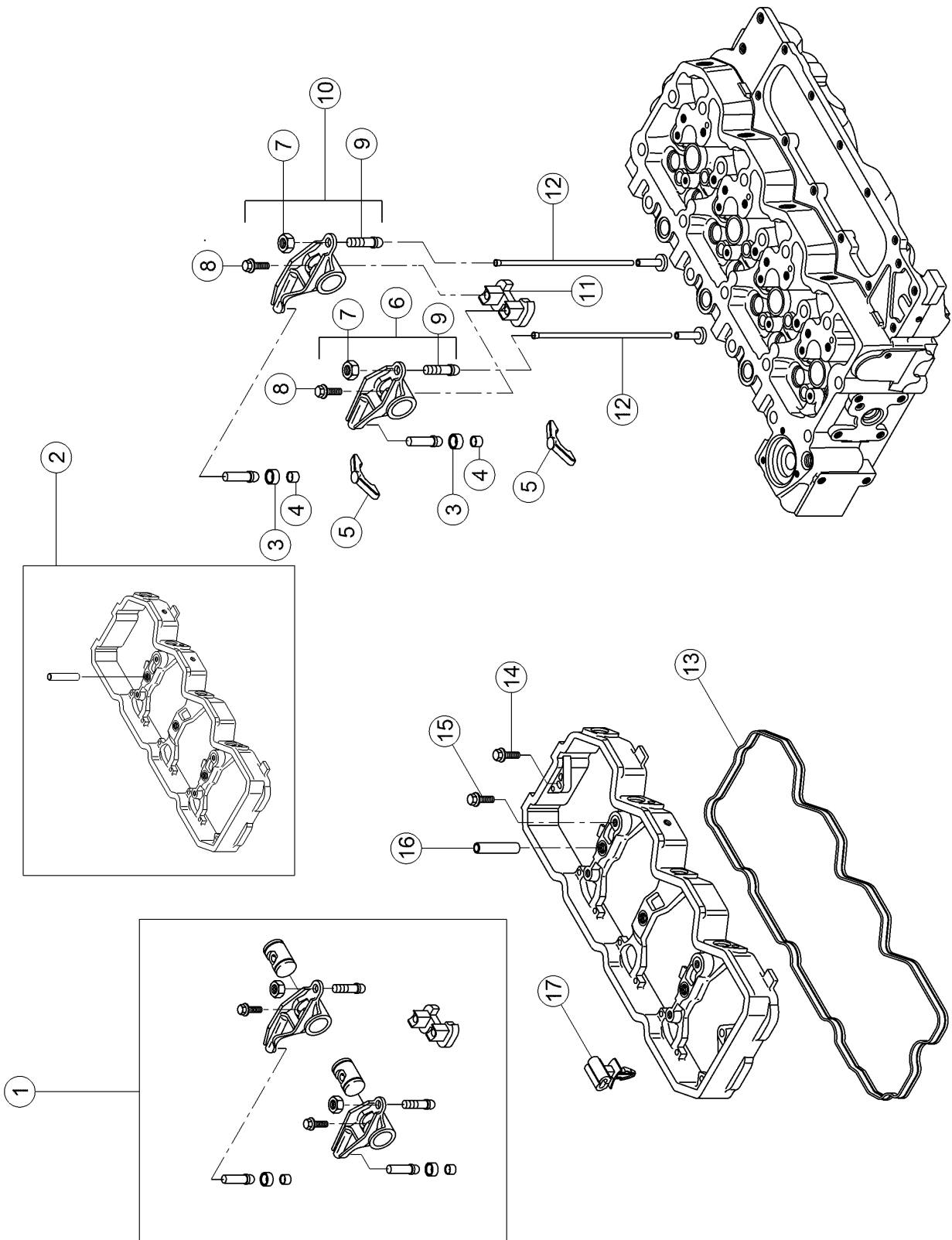
1) machine no. + up to A4303062
 - A4303051
 - A4303057
 - A4303061
 + A4303064
 + A4303065
 + A4303066
 + A4303067
 + A4303068
 + A4303069

2) machine no. + A4303051
 + A4303057
 + A4303061
 + from A4303063
 - A4303064
 - A4303065
 - A4303066
 - A4303067
 - A4303068
 - A4303069



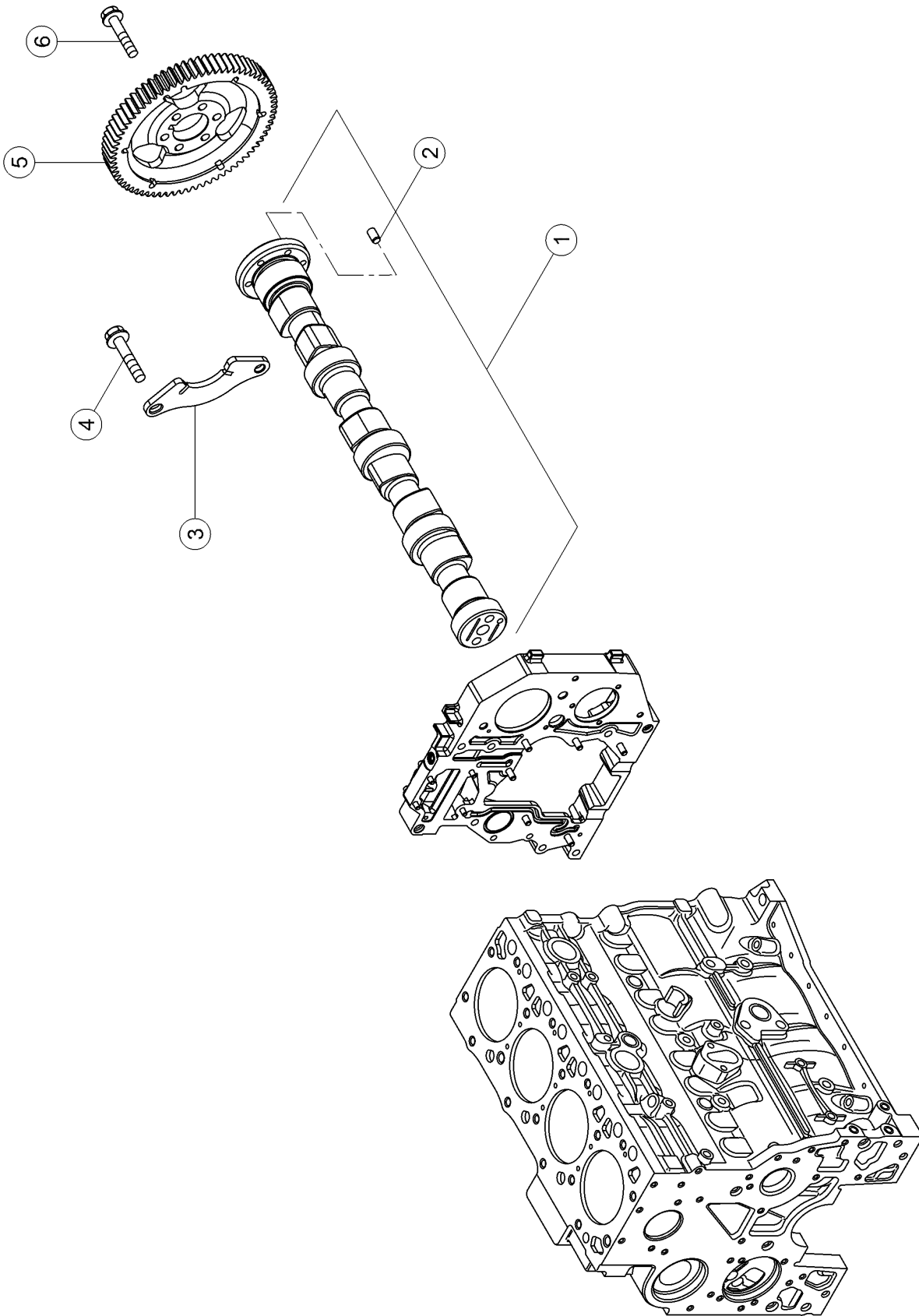
140 VALVES

Pos.	Part No.	Description	Dimension	Quantity	Conditions
1	00 1149 685 0	VALVE		8	1)
2	00 1149 686 0	VALVE		8	
3	00 1149 683 0	GUIDE		16	
4	00 1149 684 0	VALVE SEAT		8	1)
5	00 1149 687 0	VALVE SEAT		8	
6	00 1149 681 0	SPRING		16	
7	00 1149 680 0	WASHER		16	
8	00 1149 679 0	HALF-CONE		32	
1)	Remarks		INTAKE		



160 ROCKER ARM

Pos.	Part No.	Description	Dimension	Quantity	Conditions
1	00 1149 695 0	ROCKER ARM		4	
2	00 1152 935 0	CASING		1	
3	00 1149 697 0	BEARING BUSH		8	
4	00 1149 698 0	BASE		8	
5	00 1149 699 0	TIPPER		8	
6	00 1149 700 0	ROCKER ARM		4	
7	00 1149 701 0	SCREW		8	
8	00 1149 789 0	SCREW		8	
9	00 1149 702 0	SCREW		8	
10	00 1149 703 0	ROCKER ARM		4	
11	00 1149 704 0	SUPPORT		4	
12	00 1149 705 0	ROD		8	
13	00 1152 940 0	SEALING RING		1	
14	00 1140 675 0	SCREW		2	
15	00 1149 707 0	SCREW	M08X70	3	
16	00 1149 708 0	BRACE		3	
17	00 1149 709 0	STEEL CLIP		4	





Suggest:

For more complete manuals. Please go to the home page.

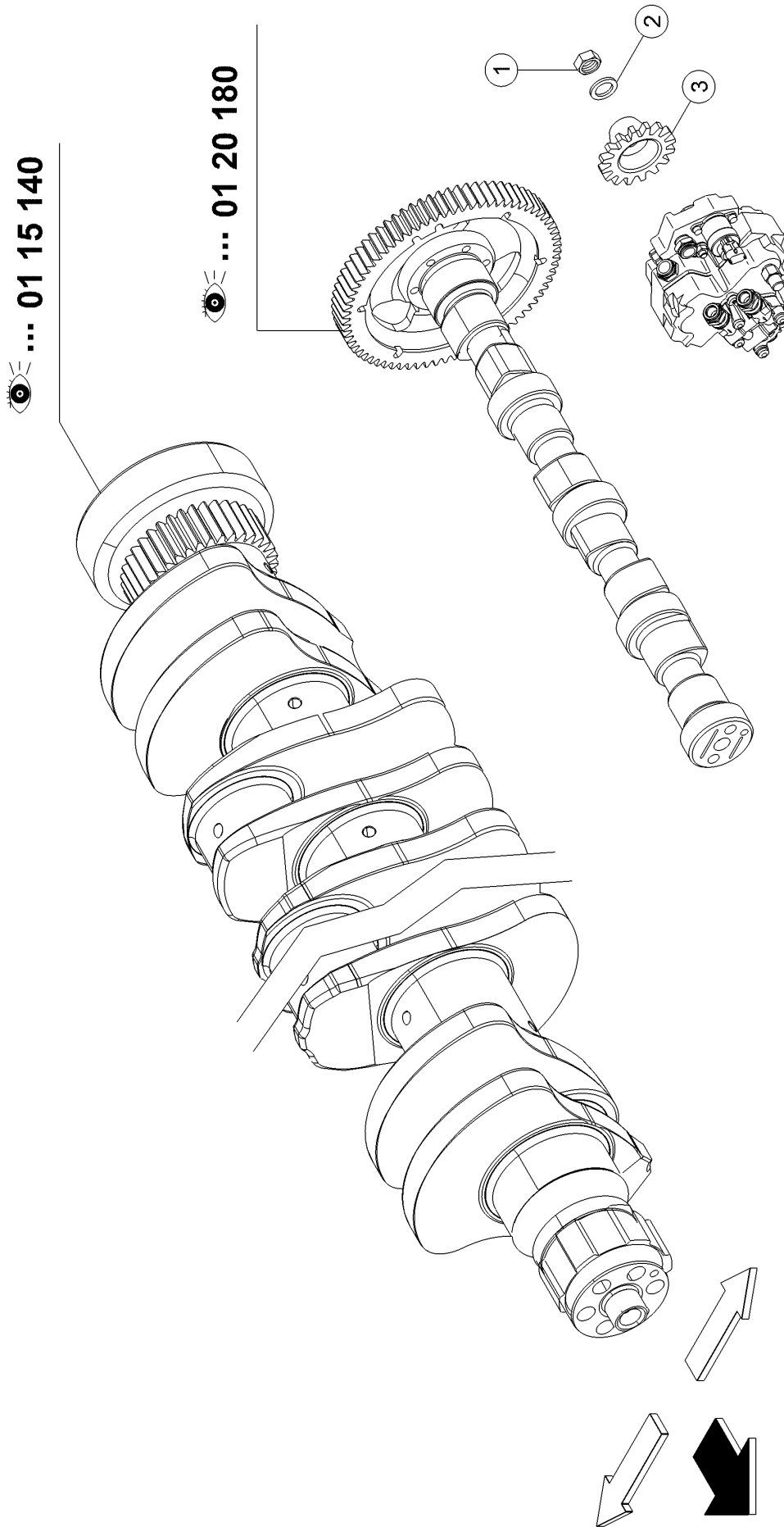
<https://www.ebooklibonline.com>

If the above button click is invalid. Please download this document first, and then click the above link to download the complete manual.

Thank you so much for reading

180 CAMSHAFT, CAMSHAFT BEARING BUSHES

Pos.	Part No.	Description	Dimension	Quantity	Conditions
1	00 1152 948 0	CAMSHAFT		1	
2	60 0503 118 5	CENTRING PIN		1	
3	60 0503 118 6	SUPPORT		1	
4	00 1149 749 0	SCREW		2	
5	00 1152 943 0	WHEEL		1	
6	00 1140 981 0	SCREW		6	



<https://www.ebooklibonline.com>

Hello dear friend!

Thank you very much for reading.

Enter the link into your browser.

The full manual is available for immediate download.

<https://www.ebooklibonline.com>