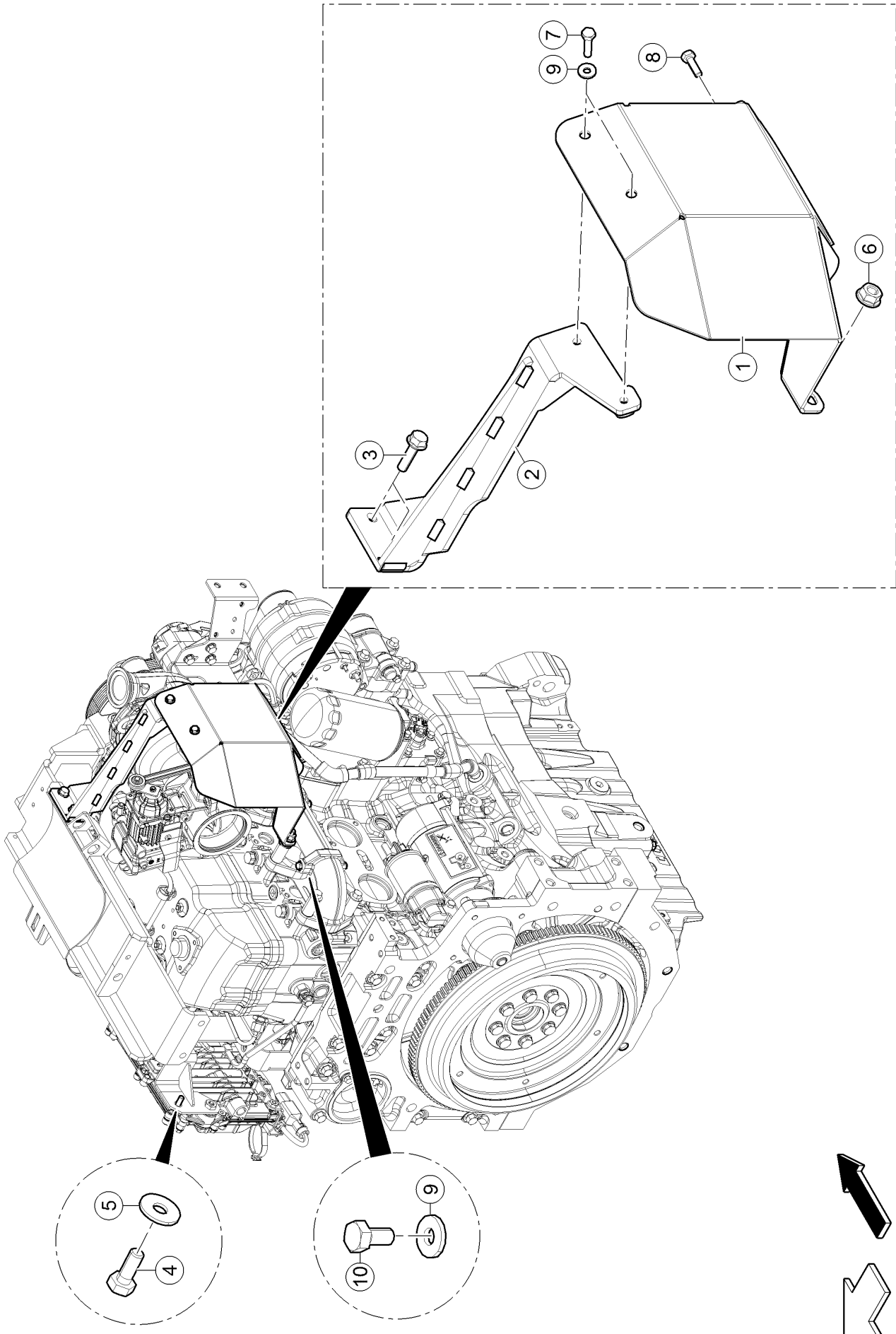


010 COMPLETE ENGINE 1)

Pos.	Part No.	Description	Dimension	Quantity	Conditions
1	00 2614 263 1	ENGINE	FPT 67KW	1	2)
2	00 2614 261 1	ENGINE	FPT 75KW	1	3)
1)	Equipment				
	Remarks	TH_P02_0110 TH_P02_0120			90 hp max output, 90 hp type-approved rated output, ECE R 120 100 hp max. output, 98 hp type-approved rated output, ECE R 120 A52
2)	Equipment				
		TH_P02_0110			90 hp max output, 90 hp type-approved rated output, ECE R 120
3)	Equipment				
		TH_P02_0120			100 hp max. output, 98 hp type-approved rated output, ECE R 120



<https://www.ebooklibonline.com>

Hello dear friend!

Thank you very much for reading.

Enter the link into your browser.

The full manual is available for immediate download.

<https://www.ebooklibonline.com>

010 COMPLETE ENGINE 1)

Pos.	Part No.	Description	Dimension	Quantity	Conditions
1	00 2608 480 0	PLATE	PROTECTION THERMIQUE TUR	1	
2	00 2175 543 2	STIFFENER		1	
3	00 0216 718 0	HEXAGON HEAD BOLT	M8X30	2	
4	00 0236 200 0	HEXAGON HEAD BOLT	M8X20	1	
5	00 0234 271 0	WASHER	8,4X23X2	1	
6	00 0216 722 0	HEXAGONAL NUT	M10	1	
7	00 0238 094 0	HEXAGON HEAD BOLT	M06X25	2	
8	00 0237 466 0	HEXAGON HEAD BOLT	M06X20	1	
9	00 0234 273 0	FLAT WASHER	6,2X15X2	6	
10	00 0237 464 0	HEXAGON HEAD BOLT	M06X12	4	

1) Equipment

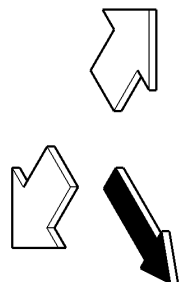
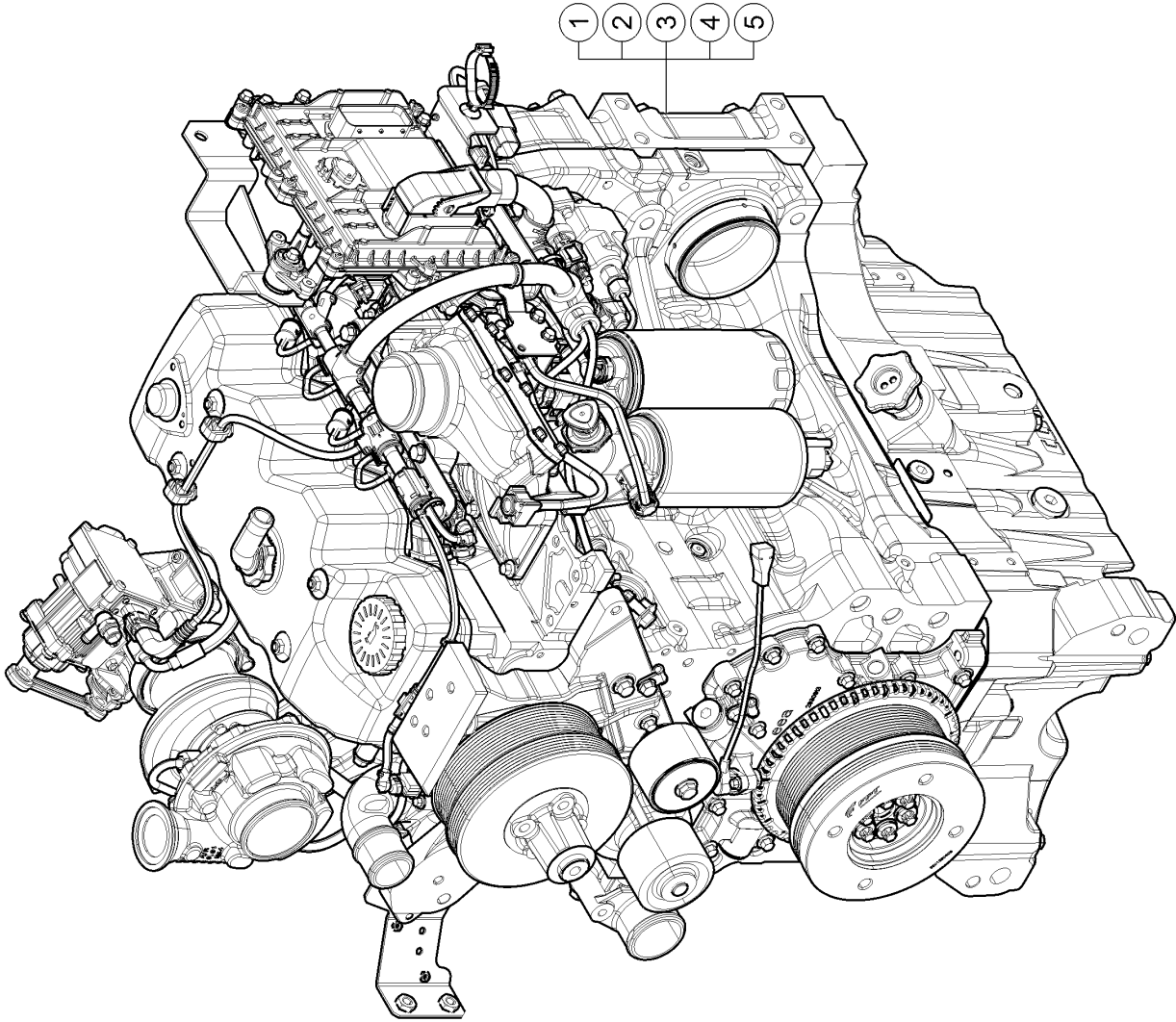
TH_P02_0110

90 hp max output, 90 hp type-approved rated output, ECE R 120

Remarks

TH_P02_0120

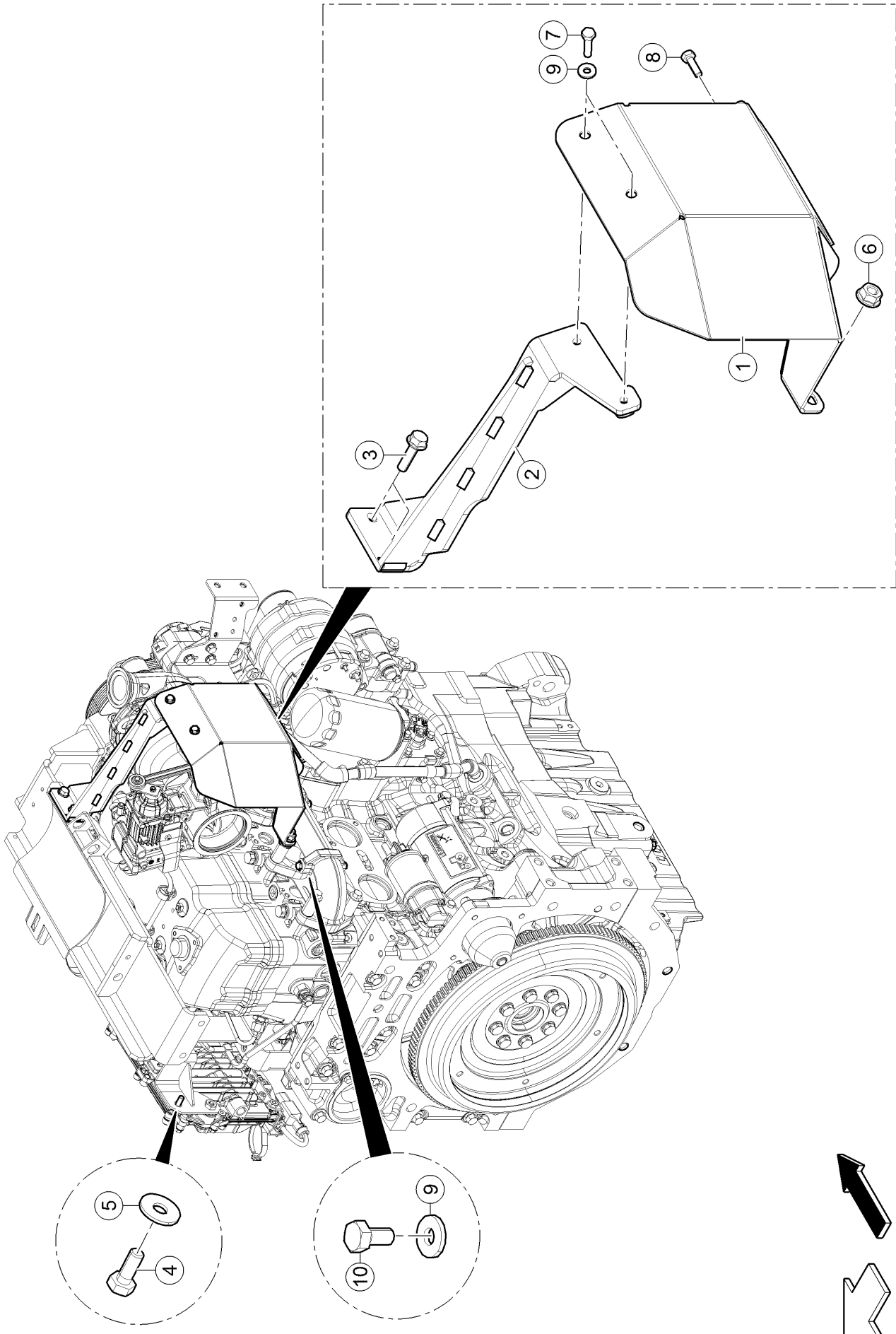
100 hp max. output, 98 hp type-approved rated output, ECE R 120
A52



010 COMPLETE ENGINE 1)

Pos.	Part No.	Description	Dimension	Quantity	Conditions
1	00 2614 295 1	ENGINE	FPT 75KW INDUSTRIAL	1	2)
2	00 2614 293 1	ENGINE	FPT 83KW	1	3)
3	00 2614 287 1	ENGINE	FPT 90KW	1	4)
4	00 2614 290 1	ENGINE	FPT 97KW	1	5)
5	00 2614 291 1	ENGINE	FPT 103KW	1	6)

1)	Equipment	TH_P02_0125	100 hp max. output, 98 hp type-approved rated output, ECE R 120
		TH_P02_0135	110 hp max. output, 109 hp type-approved rated output, ECE R 120
		TH_P02_0140	120 hp max. output, 117 hp type-approved rated output, ECE R 120
		TH_P02_0150	130 hp max. output, 126 hp type-approved rated output, ECE R 120
	Remarks	TH_P02_0160	140 hp max. output, 139 hp type-approved rated output, ECE R 120 A53
2)	Equipment	TH_P02_0125	100 hp max. output, 98 hp type-approved rated output, ECE R 120
3)	Equipment	TH_P02_0135	110 hp max. output, 109 hp type-approved rated output, ECE R 120
4)	Equipment	TH_P02_0140	120 hp max. output, 117 hp type-approved rated output, ECE R 120
5)	Equipment	TH_P02_0150	130 hp max. output, 126 hp type-approved rated output, ECE R 120
6)	Equipment	TH_P02_0160	140 hp max. output, 139 hp type-approved rated output, ECE R 120



010 COMPLETE ENGINE 1)

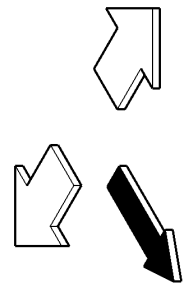
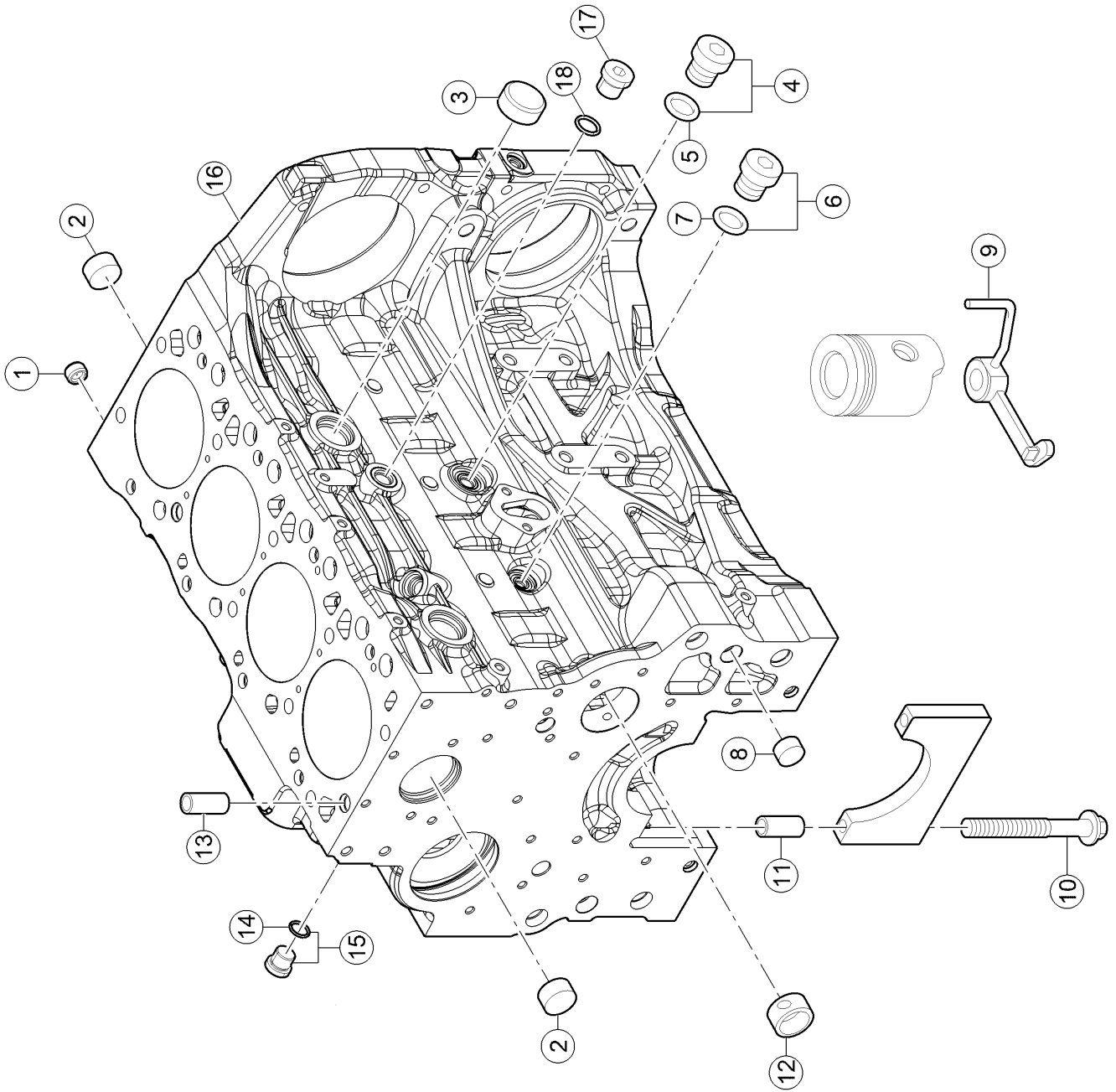
Pos.	Part No.	Description	Dimension	Quantity	Conditions
1	00 2608 480 0	PLATE	PROTECTION THERMIQUE TUR	1	
2	00 2175 543 2	STIFFENER		1	
3	00 0216 718 0	HEXAGON HEAD BOLT	M8X30	2	
4	00 0236 200 0	HEXAGON HEAD BOLT	M8X20	1	
5	00 0234 271 0	WASHER	8,4X23X2	1	
6	00 0216 722 0	HEXAGONAL NUT	M10	1	
7	00 0238 094 0	HEXAGON HEAD BOLT	M06X25	2	
8	00 0237 466 0	HEXAGON HEAD BOLT	M06X20	1	
9	00 0234 273 0	FLAT WASHER	6,2X15X2	6	
10	00 0237 464 0	HEXAGON HEAD BOLT	M06X12	4	

1) Equipment

TH_P02_0125	100 hp max. output, 98 hp type-approved rated output, ECE R 120
TH_P02_0135	110 hp max. output, 109 hp type-approved rated output, ECE R 120
TH_P02_0140	120 hp max. output, 117 hp type-approved rated output, ECE R 120
TH_P02_0150	130 hp max. output, 126 hp type-approved rated output, ECE R 120
TH_P02_0160	140 hp max. output, 139 hp type-approved rated output, ECE R 120

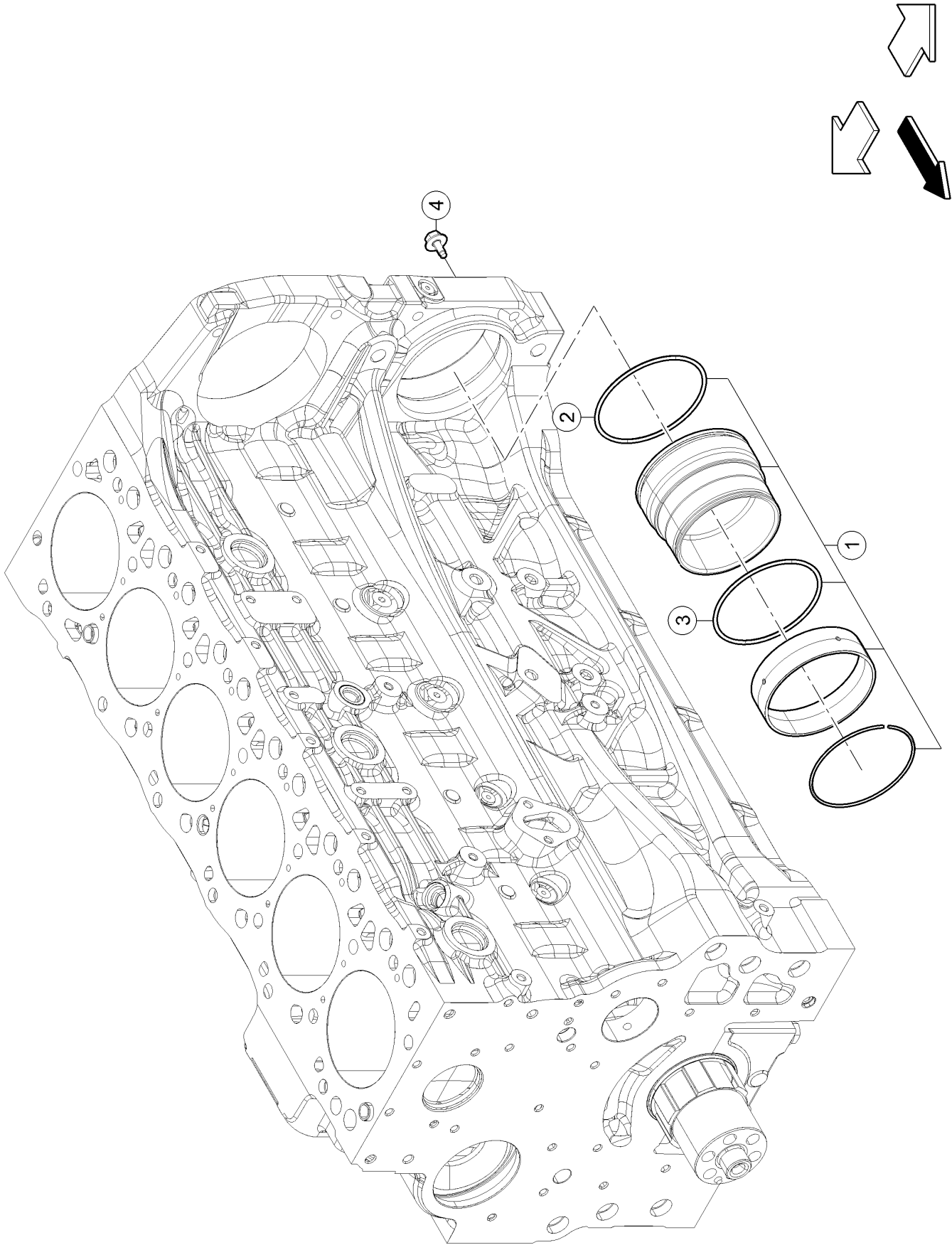
Remarks

A53



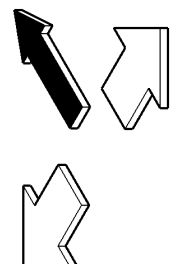
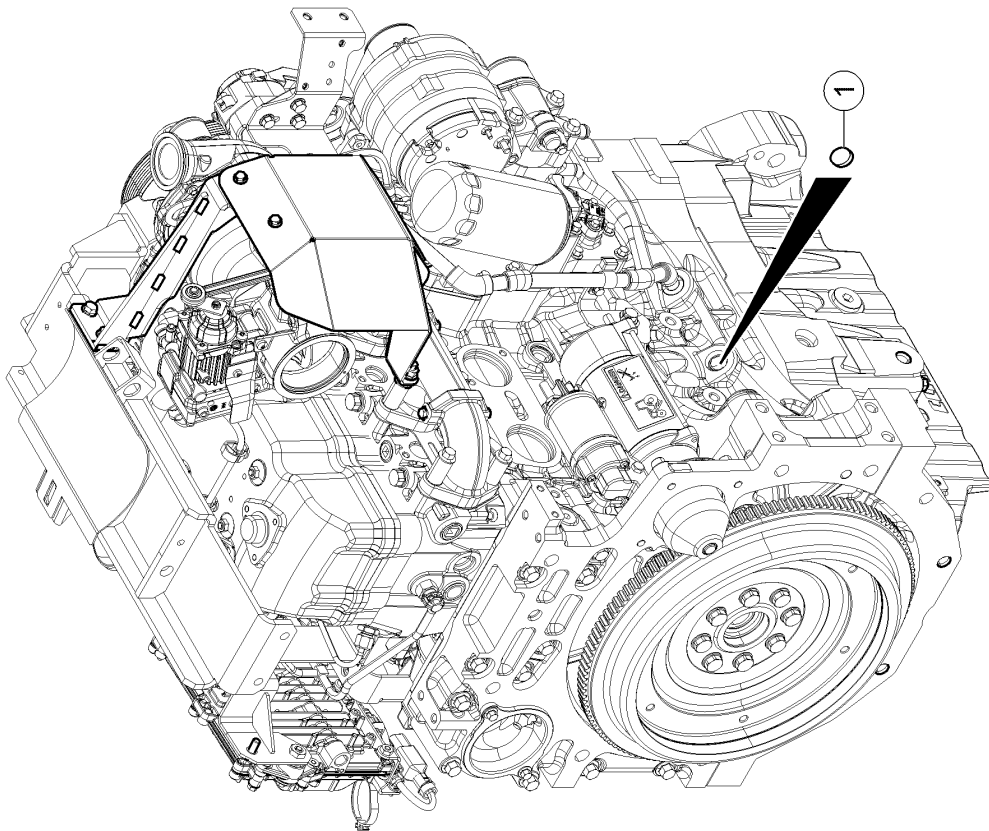
100 CRANKCASE

Pos.	Part No.	Description	Dimension	Quantity	Conditions
1	00 1167 297 0	NOZZLE		1	
2	60 0503 098 0	PLUG		4	
3	60 0503 098 2	PLUG		2	
4	60 0503 100 0	PLUG		1	
5	60 0503 100 1	O-RING		1	
6	60 0503 098 3	PLUG		2	
7	60 0503 098 4	O-RING		2	
8	60 0503 099 0	PLUG		2	
9	00 1164 565 0	NOZZLE		4	
10	60 0503 098 5	SCREW		10	
11	60 0503 098 6	CENTRING PIN		10	
12	60 0503 098 1	BUSHING		1	
13	60 0503 098 7	CENTRING PIN		2	
14	60 0503 099 4	O-RING		1	
15	60 0503 099 3	PLUG		1	
16	00 1167 354 0	CRANKCASE		1	
17	60 0503 100 2	LOCK		1	
18	00 1140 021 0	SEALING RING		1	



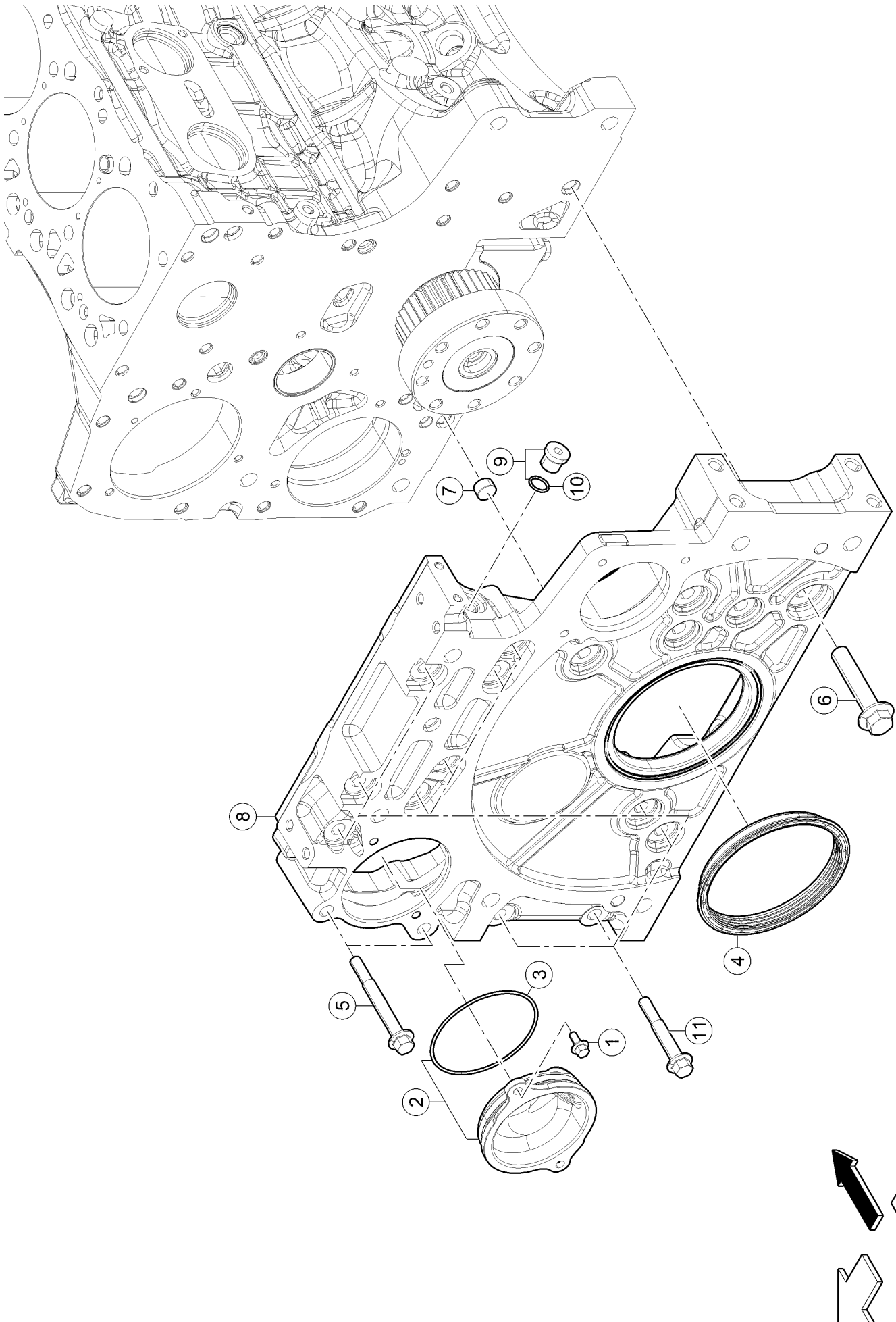
100 CRANKCASE

Pos.	Part No.	Description	Dimension	Quantity	Conditions
1	00 1153 600 0	SMOOTH RING		1	
2	60 0503 120 1	O-RING		1	
3	60 0503 120 2	O-RING		1	
4	00 1153 601 0	STD SCREW		1	



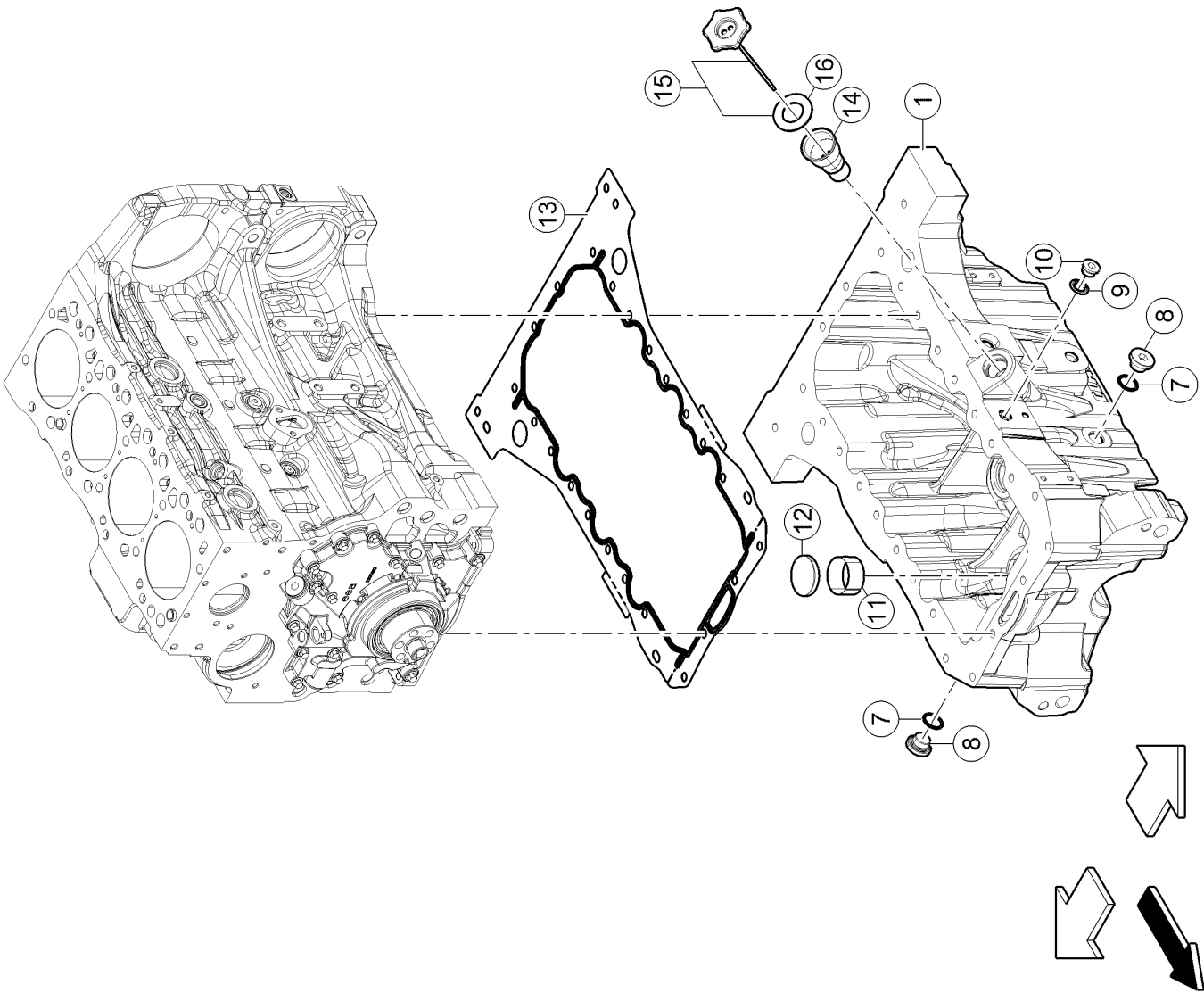
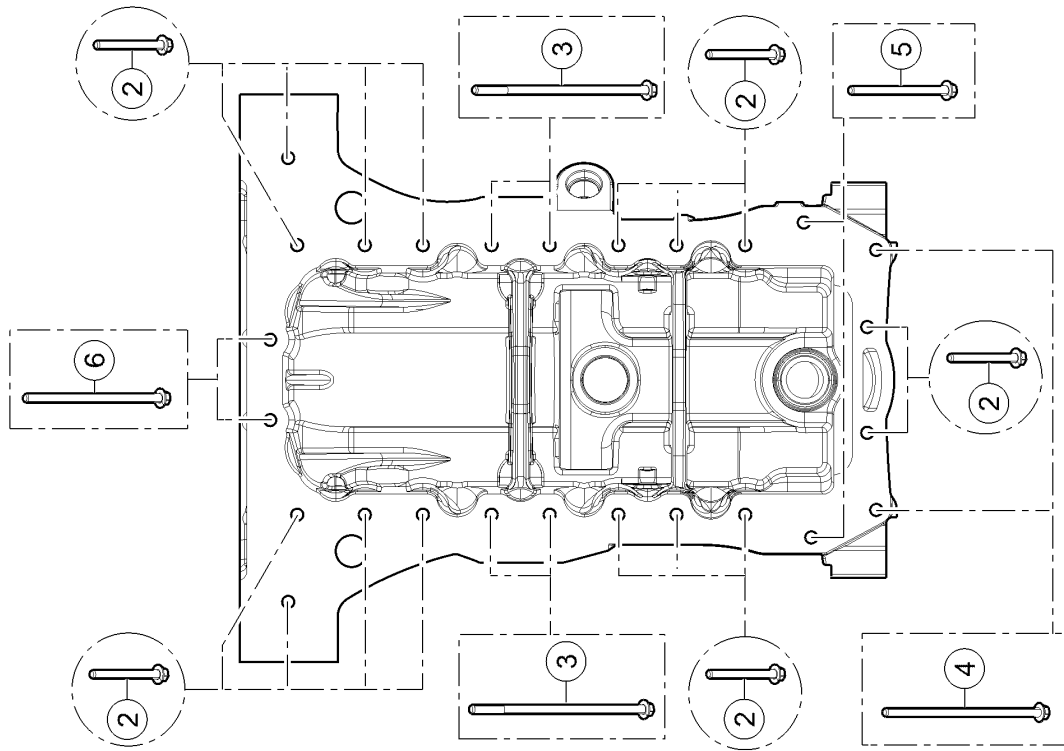
100 CRANKCASE

Pos.	Part No.	Description	Dimension	Quantity	Conditions
1	60 0503 099 1	PLUG		1	



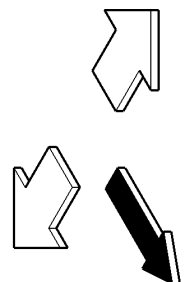
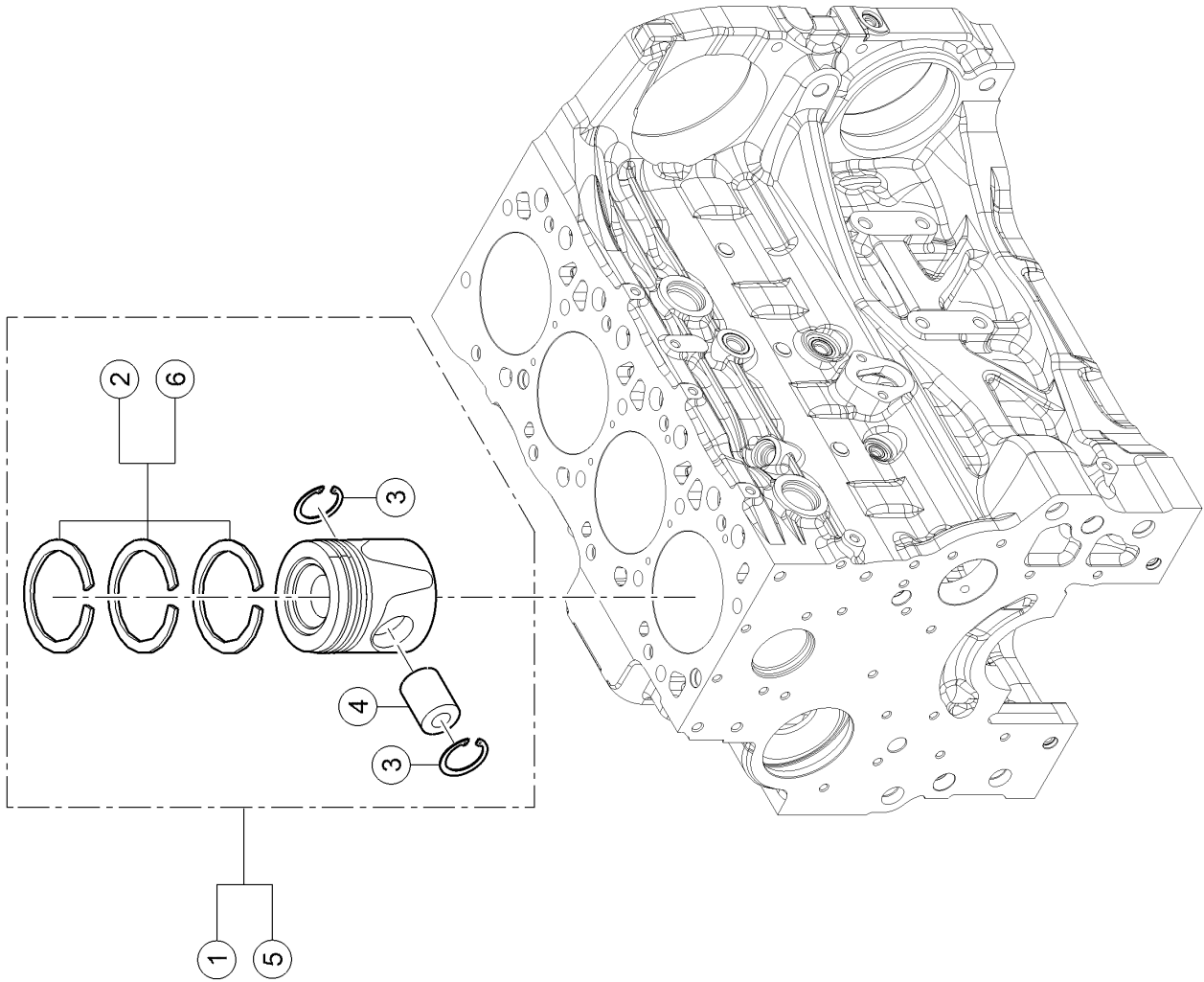
120 TIMING CASE

Pos.	Part No.	Description	Dimension	Quantity	Conditions
1	60 0503 112 2	SCREW		2	
2	00 1149 462 0	COVER		1	
3	00 1139 454 0	O-RING		1	
4	00 1147 783 0	SEALING RING		1	
5	00 1139 460 0	SCREW		2	
6	00 1139 457 0	SCREW		1	
7	60 0503 100 8	CENTRING PIN		2	
8	00 1166 989 0	CASING		1	
9	60 0503 099 3	PLUG		1	
10	60 0503 099 4	O-RING		1	
11	00 1139 458 0	SCREW		15	



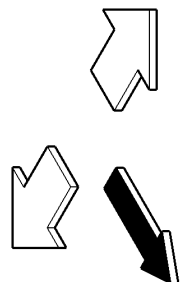
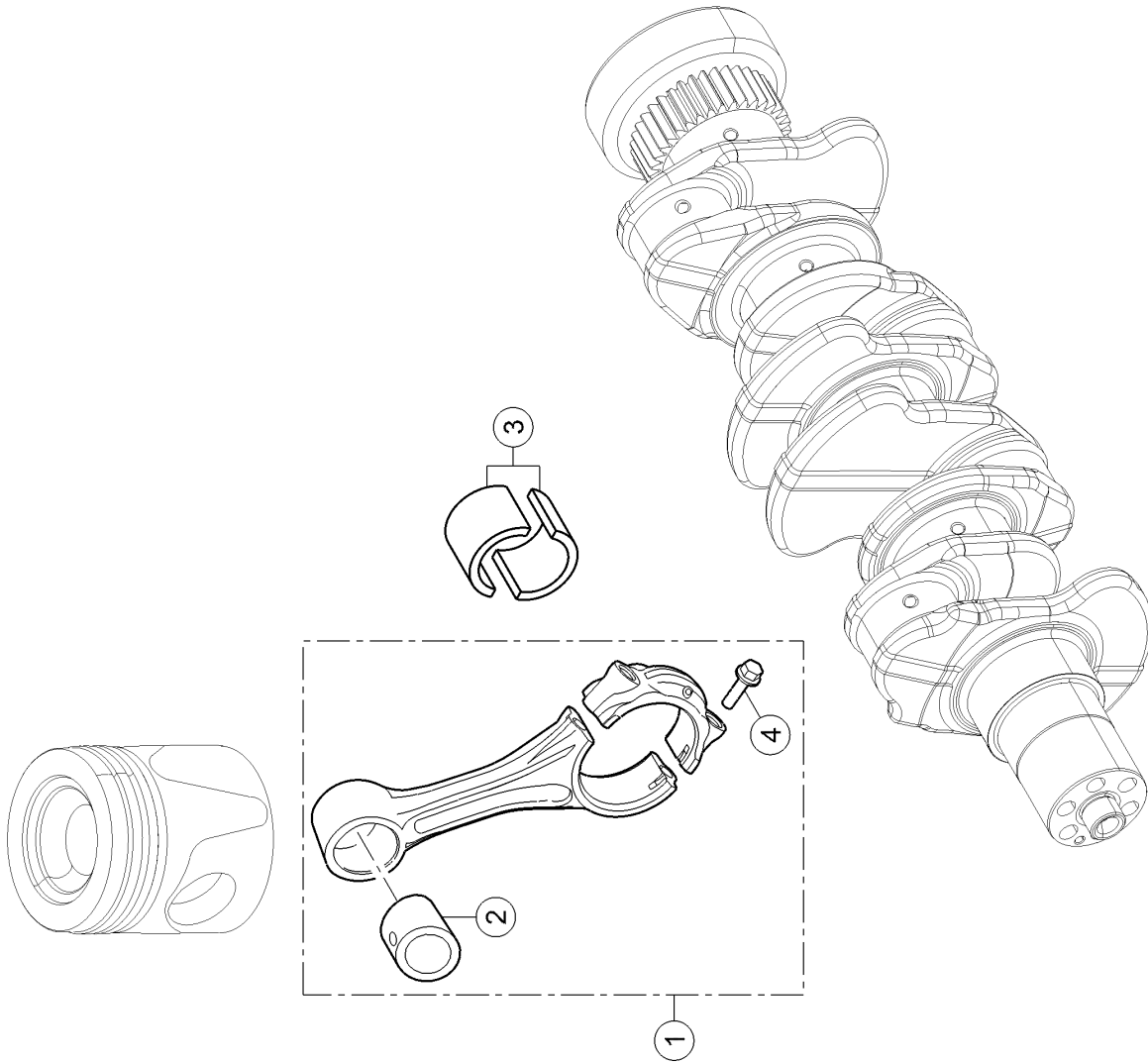
160 OIL PAN

Pos.	Part No.	Description	Dimension	Quantity	Conditions
1	00 1158 717 0	CASING		1	
2	00 1152 885 0	SCREW		16	
3	00 1152 711 0	SCREW		4	
4	00 1152 886 0	SCREW		2	
5	00 1152 887 0	SCREW		2	
6	00 1152 888 0	SCREW		2	
7	60 0503 101 1	O-RING		2	
8	60 0503 101 0	SCREW PLUG		2	
9	00 1160 195 0	GASKET		1	
10	60 0502 555 9	LOCK		1	
11	60 0503 101 4	ENGINE OIL FILTER		1	
12	60 0503 101 5	LOCK		1	
13	00 1162 132 0	FLAT SEAL		1	
14	00 1139 567 0	TUBE		1	
15	00 1152 802 0	GAUGE		1	
16	00 1166 998 0	SEAL		1	



100 CYLINDER LINER, PISTON

Pos.	Part No.	Description	Dimension	Quantity	Conditions
1	00 1160 052 0	ENGINE PISTON		4	1)
2	00 1160 050 0	SET OF PISTON RINGS		4	1)
3	00 1167 317 0	INT RETAINING RING		8	
4	00 1149 533 0	AXLE		4	
5	00 1171 742 0	ENGINE PISTON		4	2)
6	00 1171 741 0	SET OF PISTON RINGS		4	2)
1)	Remarks		standard design		
2)	Remarks		+0,4		



120 CONNECTING ROD, CONNECTING ROD BEARINGS

Pos.	Part No.	Description	Dimension	Quantity	Conditions
1	00 1149 550 0	ROD (ENGINE)		4	1)
1	00 1166 560 0	ROD (ENGINE)		4	2)
2	00 1149 551 0	RING		4	
3	00 1152 896 0	SET OF BEARING BUSHES		4	3)
3	00 1152 897 0	SET OF BEARING BUSHES		4	4)
3	00 1152 898 0	SET OF BEARING BUSHES		4	5)
4	60 0503 108 9	SCREW		8	

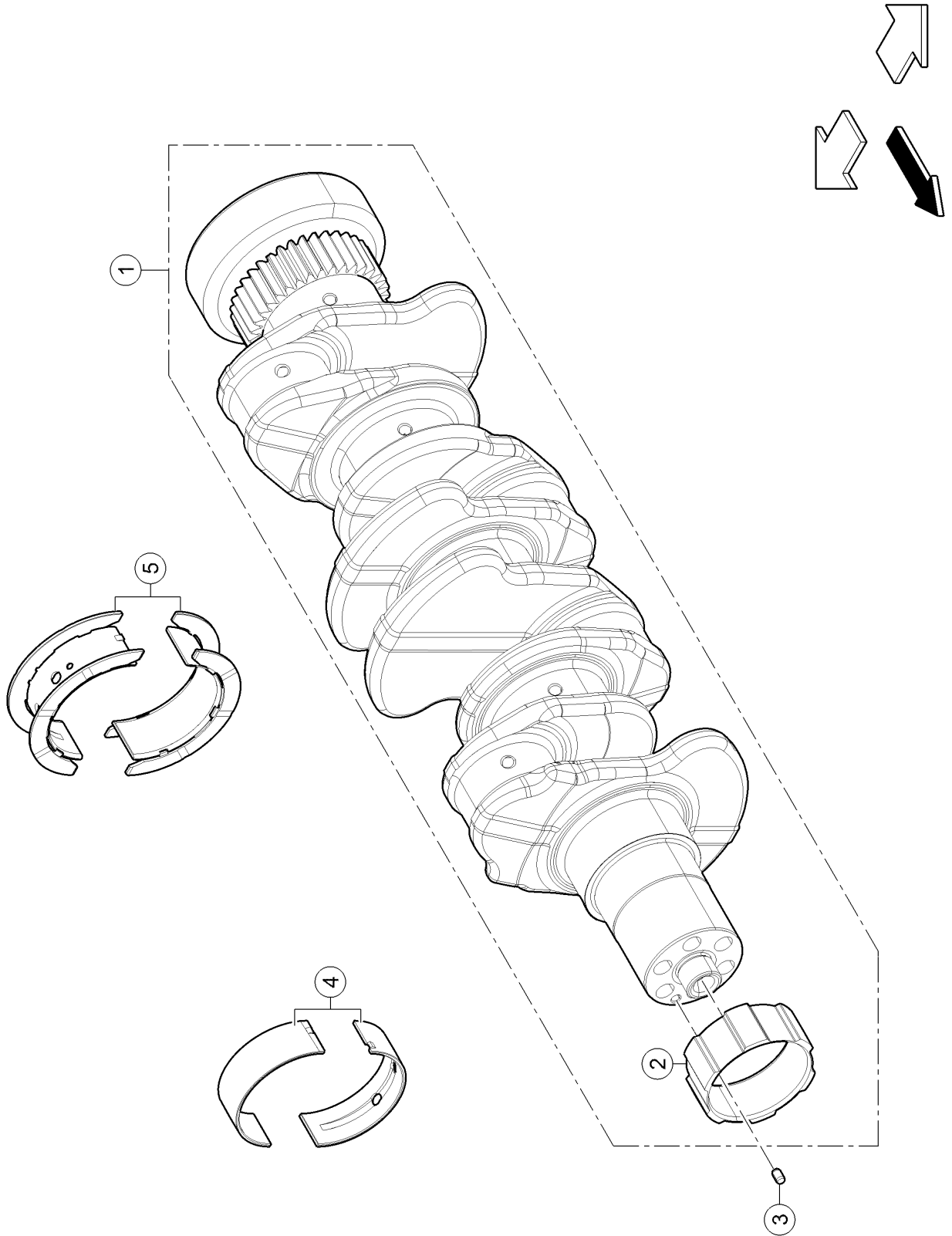
1) machine no. + A5200010
+ A5200011
+ A5200012
+ A5200013
+ A5200014
+ A5300010
+ A5300011
+ A5300012
+ A5300013
+ A5300014

2) machine no. - A5200010
- A5200011
- A5200012
- A5200013
- A5200014
- A5300010
- A5300011
- A5300012
- A5300013
- A5300014

3) Remarks STANDARD

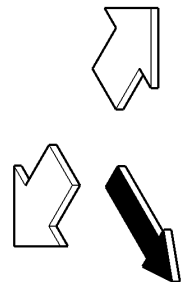
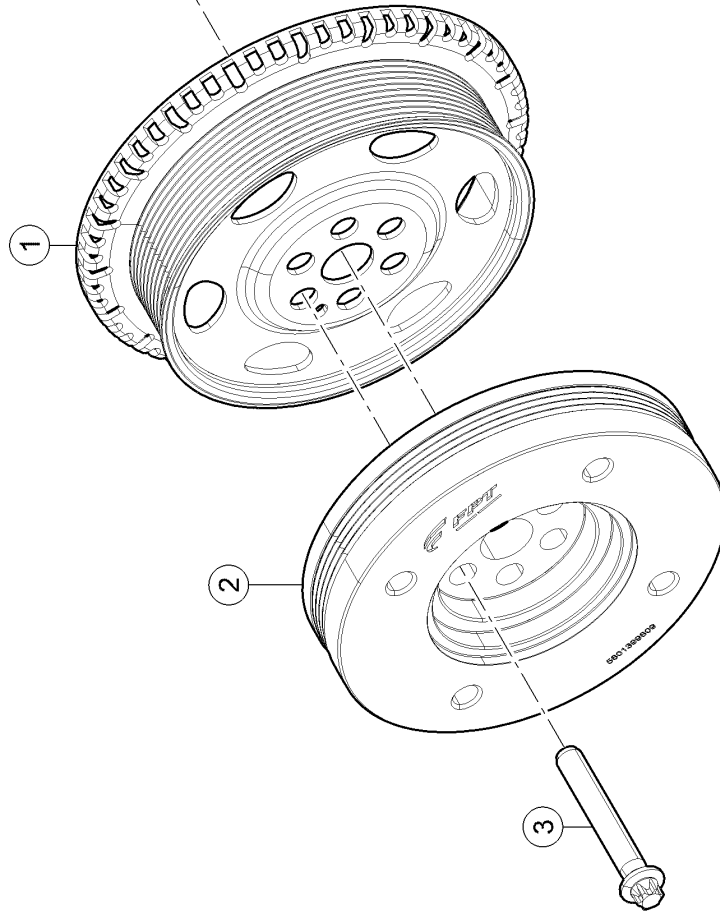
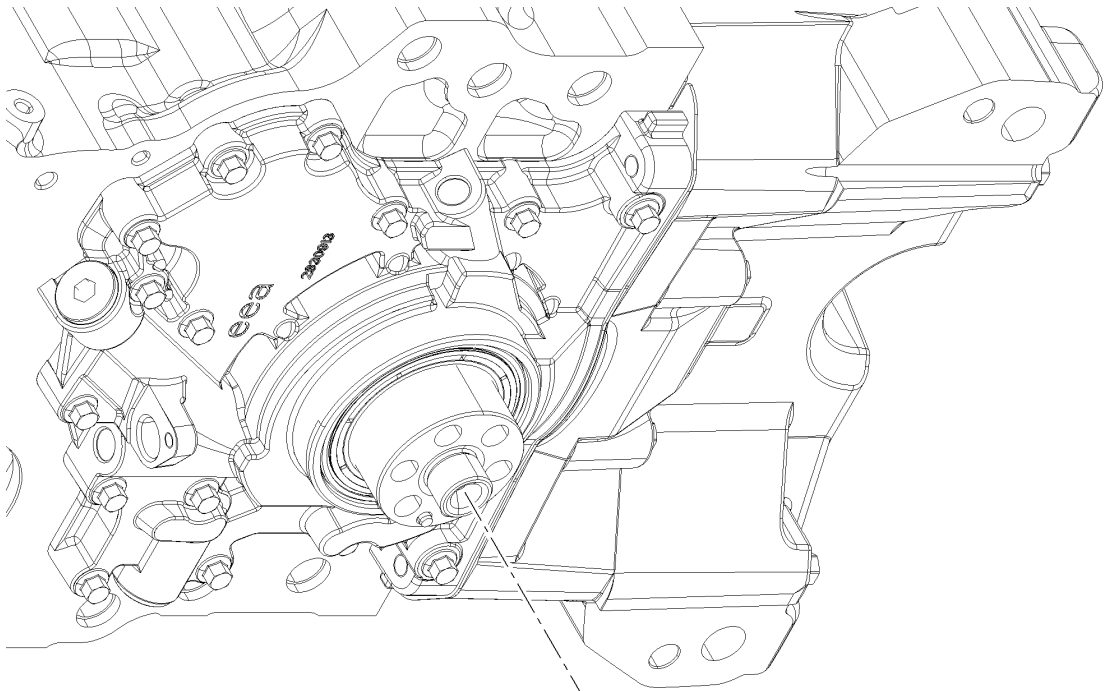
4) Remarks -0,250

5) Remarks -0,500



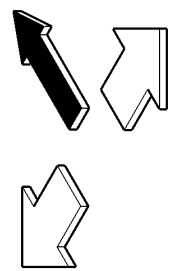
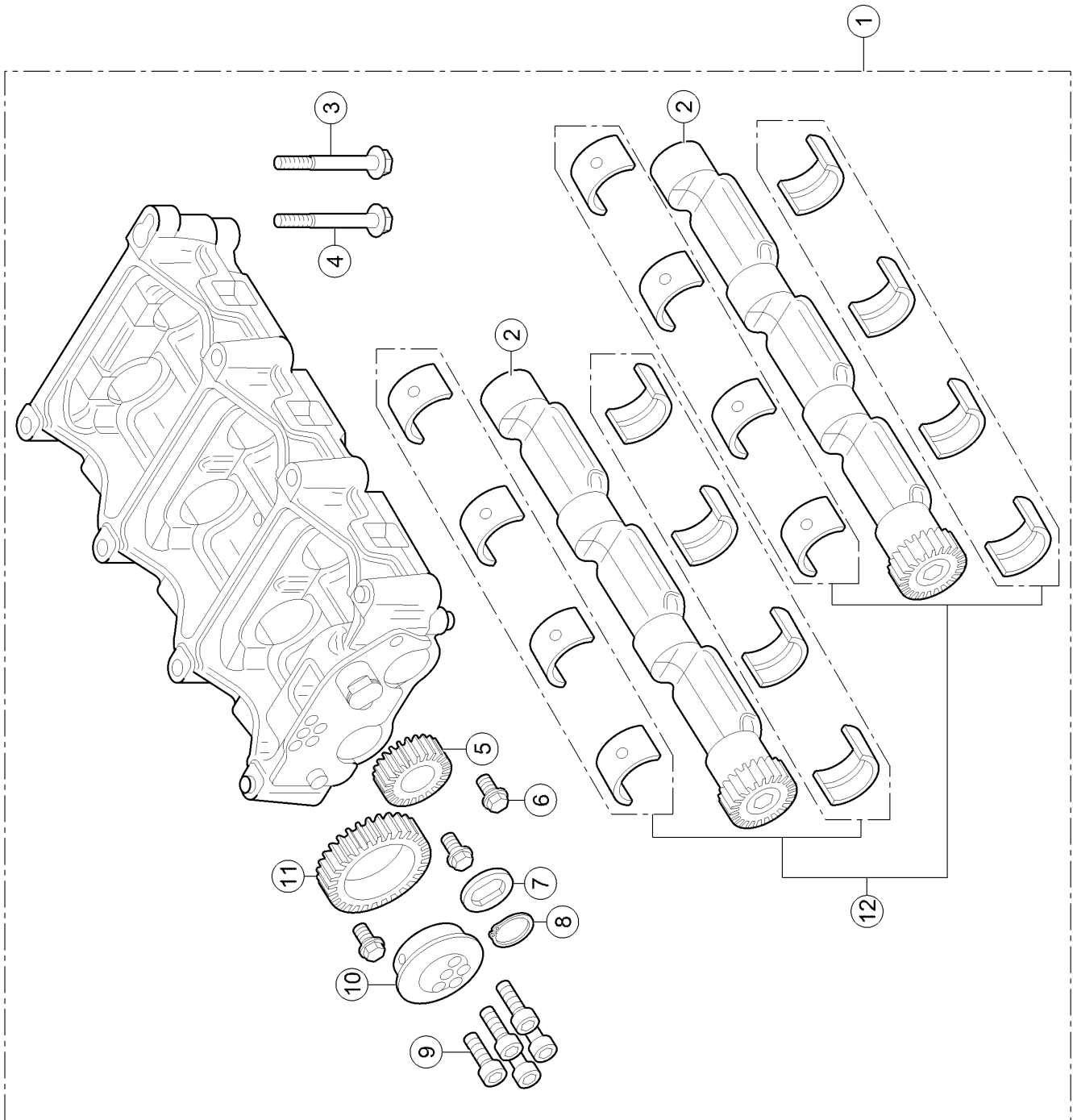
140 CRANKSHAFT

Pos.	Part No.	Description	Dimension	Quantity	Conditions
1	00 1152 902 0	CRANKSHAFT		1	
2	00 1139 671 0	BUSHING		1	
3	00 1138 511 0	CENTRING PIN		1	
4	00 1164 242 0	SET OF BEARING BUSHES		4	1)
4	00 1167 316 0	SET OF BEARING BUSHES		4	2)
4	00 1167 011 0	SET OF BEARING BUSHES		4	3)
5	00 1167 010 0	SET OF BEARING BUSHES		1	1)
5	00 1167 012 0	SET OF BEARING BUSHES		1	2)
5	00 1167 013 0	SET OF BEARING BUSHES		1	3)
1)	Remarks		STANDARD		
2)	Remarks		-0,250		
3)	Remarks		-0,500		



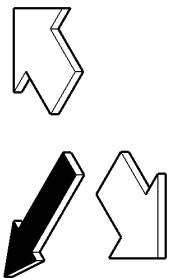
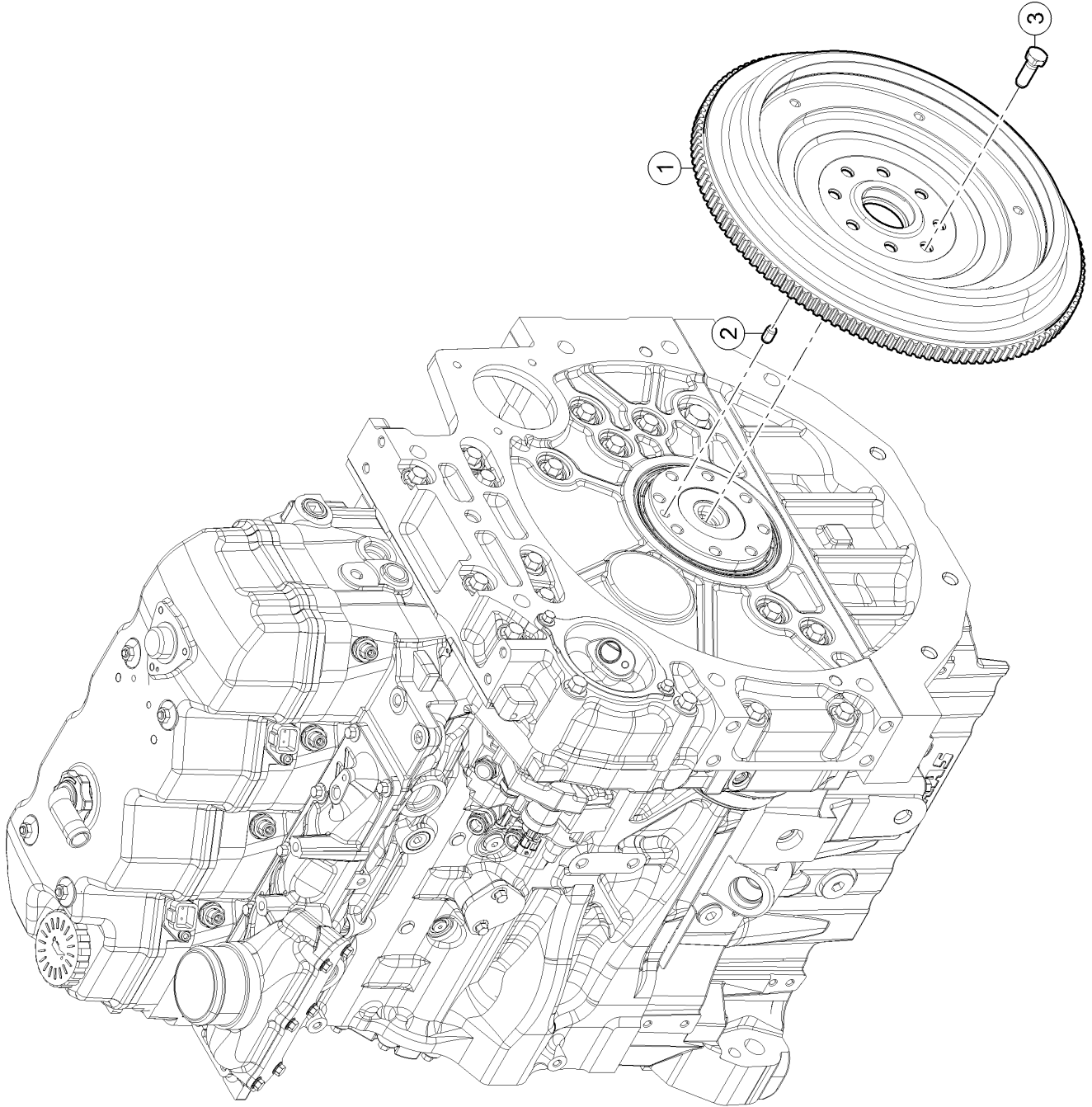
160 CRANKSHAFT PULLEY WHEEL

Pos.	Part No.	Description	Dimension	Quantity	Conditions
1	00 1166 991 0	PULLEY		1	
2	00 1152 907 0	ANTI-VIBRATION WHEEL		1	
3	60 0503 104 3	SCREW		6	



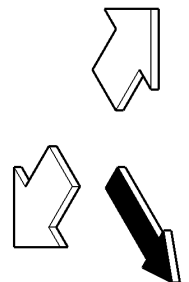
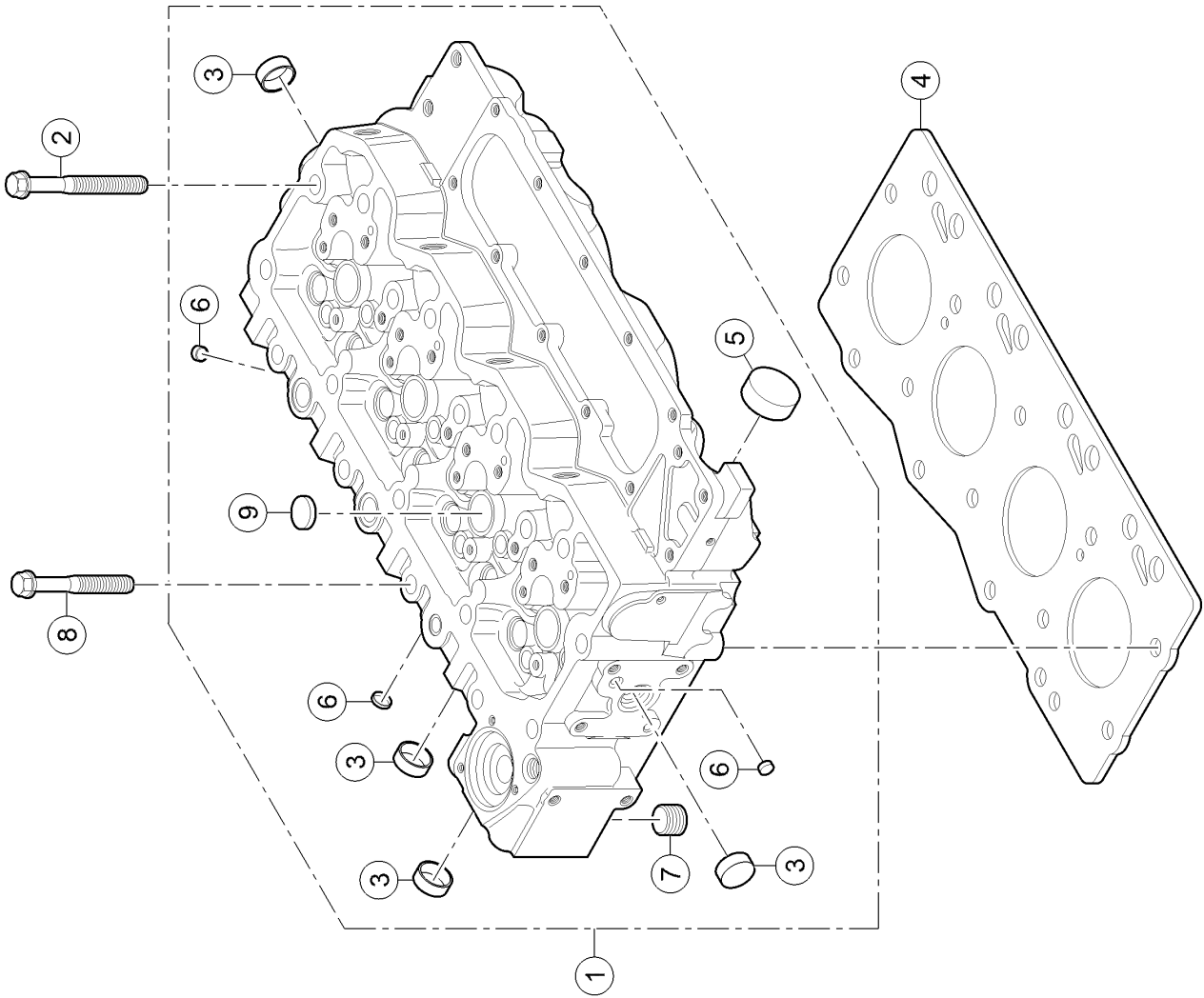
200 MASS BALANCING

Pos.	Part No.	Description	Dimension	Quantity	Conditions
1	00 1138 515 0	CRANKSHAFT DAMPER		1	
2	60 0503 111 4	SHAFT		2	
3	60 0503 112 7	SCREW		1	
4	00 1139 781 0	SCREW		7	
5	60 0503 111 6	WHEEL		1	
6	60 0503 112 2	SCREW		3	
7	60 0503 111 7	WASHER		1	
8	60 0503 111 8	WASHER		1	
9	60 0503 112 0	SCREW		5	
10	60 0503 112 1	HUB		1	
11	60 0503 112 3	WHEEL		1	
12	00 1152 694 0	BEARING BUSH		1	



220 FLYWHEEL

Pos.	Part No.	Description	Dimension	Quantity	Conditions
1	00 1152 909 0	FLYWHEEL		1	
2	60 0503 111 0	CENTRING PIN		1	
3	60 0503 111 1	SCREW		8	



100 CYLINDER HEAD

Pos.	Part No.	Description	Dimension	Quantity	Conditions
1	00 1152 911 0	CYLINDER HEAD		1	
2	00 1149 574 0	SCREW		10	
3	00 1139 905 0	PLUG		9	
4	00 1152 816 0	CYLINDER HEAD GASKET		1	1)
4	00 1160 921 0	CYLINDER HEAD GASKET		1	2)
5	00 1149 576 0	PLUG		2	
6	00 1149 572 0	PLUG		5	
7	00 1166 990 0	PLUG		1	
8	00 1149 573 0	SCREW		8	
9	60 0503 099 1	PLUG		7	
1)	Remarks		ép.1,25mm		
2)	Remarks		ép.1,15mm		



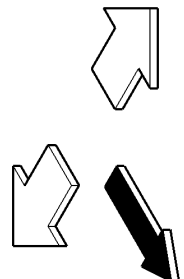
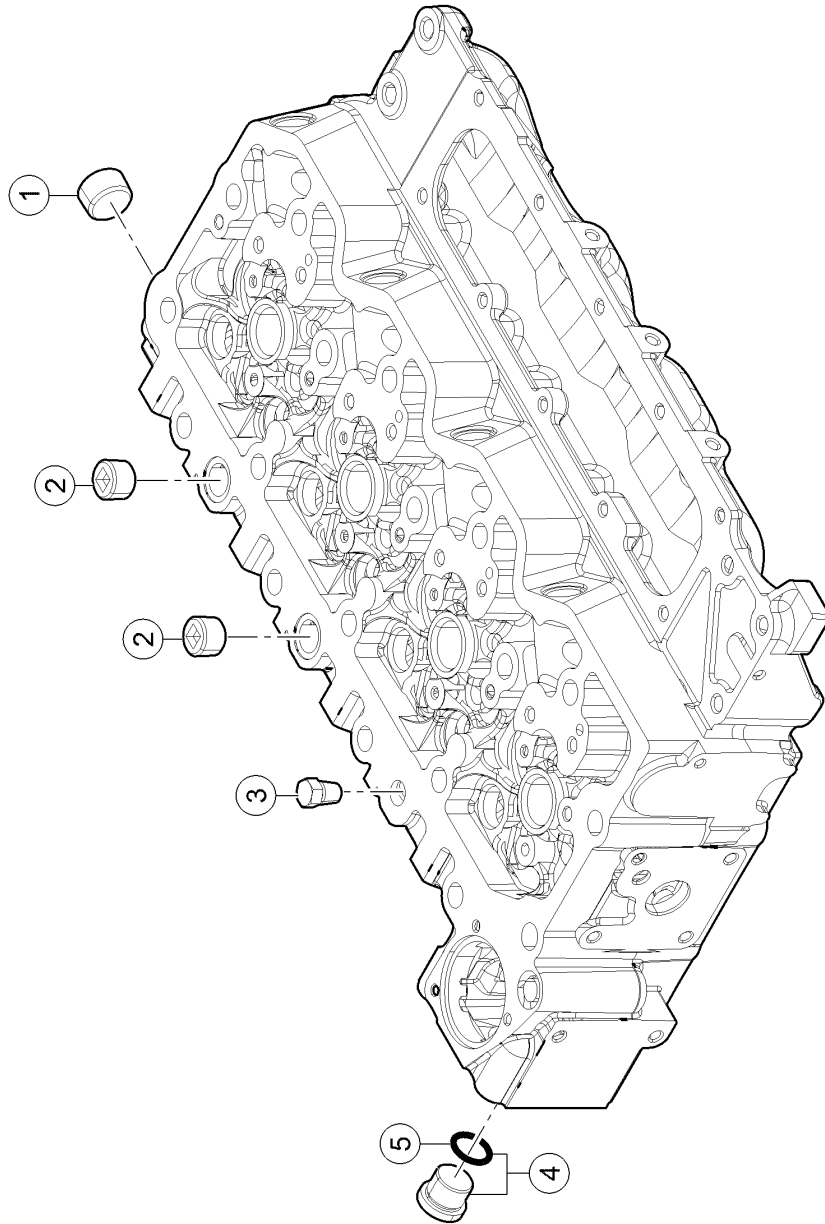
Suggest:

For more complete manuals. Please go to the home page.

<https://www.ebooklibonline.com>

If the above button click is invalid. Please download this document first, and then click the above link to download the complete manual.

Thank you so much for reading



100 CYLINDER HEAD

Pos.	Part No.	Description	Dimension	Quantity	Conditions
1	00 1166 990 0	PLUG		1	
2	60 0503 113 1	PLUG		2	
3	00 1153 010 0	PLUG		1	
4	00 1153 011 0	PLUG		1	
5	00 1153 012 0	O-RING		1	

<https://www.ebooklibonline.com>

Hello dear friend!

Thank you very much for reading.

Enter the link into your browser.

The full manual is available for immediate download.

<https://www.ebooklibonline.com>