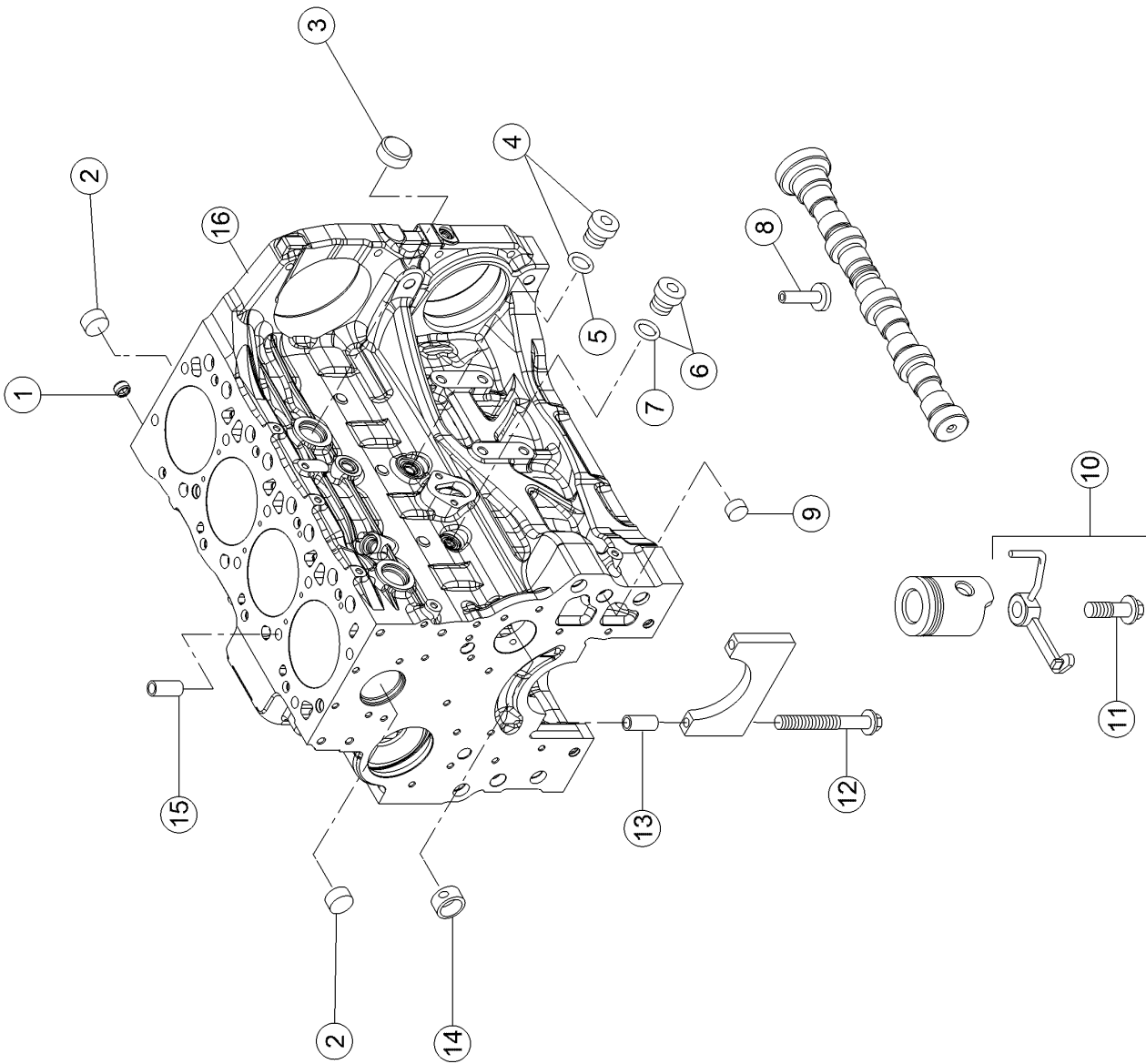


**010 COMPLETE ENGINE**

<b>Pos.</b>	<b>Part No.</b>	<b>Description</b>	<b>Dimension</b>	<b>Quantity</b>	<b>Conditions</b>
1	<b>00 2232 367 0</b>	ENGINE		1	1)
2	<b>00 2232 363 0</b>	ENGINE		1	2)
3	<b>00 2232 365 0</b>	ENGINE		1	3)
<b>1)</b>	<b>Equipment</b>	TH_P02_0025	95 hp rated output, 100 hp max. output, ECE R 120		
<b>2)</b>	<b>Equipment</b>	TH_P02_0040	115 hp rated output, 120 hp max. output, ECE R 120		
<b>3)</b>	<b>Equipment</b>	TH_P02_0050	125 hp rated output, 130 hp max. output, ECE R 120		



**<https://www.ebooklibonline.com>**

Hello dear friend!

Thank you very much for reading.

Enter the link into your browser.

The full manual is available for immediate download.

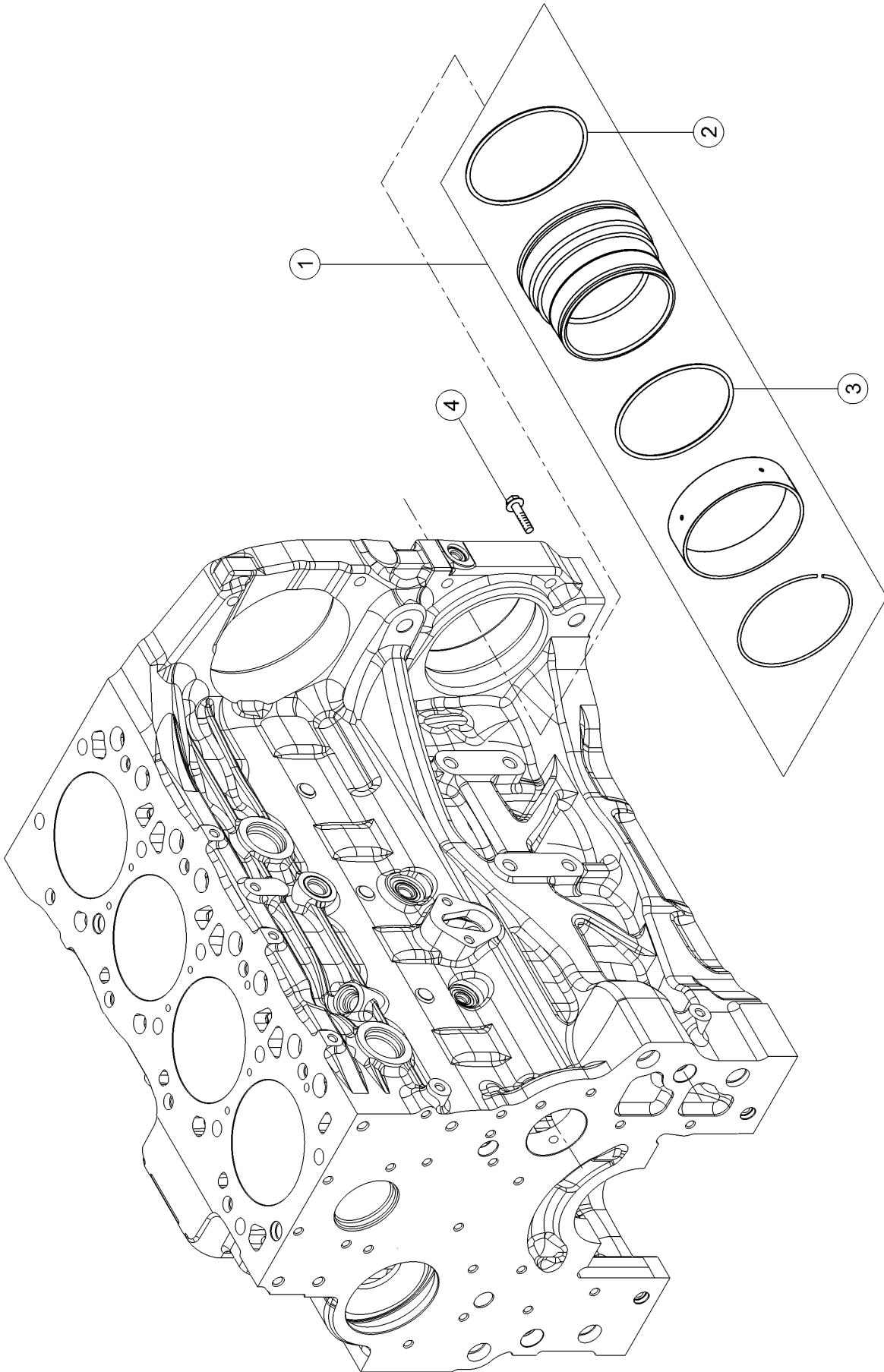
**<https://www.ebooklibonline.com>**

**100 CRANKCASE**

Pos.	Part No.	Description	Dimension	Quantity	Conditions
1	<b>00 1139 588 0</b>	NOZZLE		1	
2	<b>60 0503 098 0</b>	PLUG		4	
3	<b>60 0503 098 2</b>	PLUG		2	
4	<b>60 0503 100 0</b>	PLUG		1	
5	<b>60 0503 100 1</b>	O-RING		1	
6	<b>60 0503 098 3</b>	PLUG		2	
7	<b>60 0503 098 4</b>	O-RING		2	
8	<b>00 1149 427 0</b>	PUSHROD		8	
9	<b>60 0503 099 0</b>	PLUG		2	
10	<b>60 0503 099 8</b>	NOZZLE		4	1)
10	<b>00 1164 565 0</b>	NOZZLE		4	2)
11	<b>60 0503 099 7</b>	SCREW		4	1)
12	<b>60 0503 098 5</b>	SCREW		10	
13	<b>60 0503 098 6</b>	CENTRING PIN		10	
14	<b>60 0503 098 1</b>	BUSHING		1	
15	<b>60 0503 098 7</b>	CENTRING PIN		2	
16	<b>00 1167 354 0</b>	CRANKCASE		1	

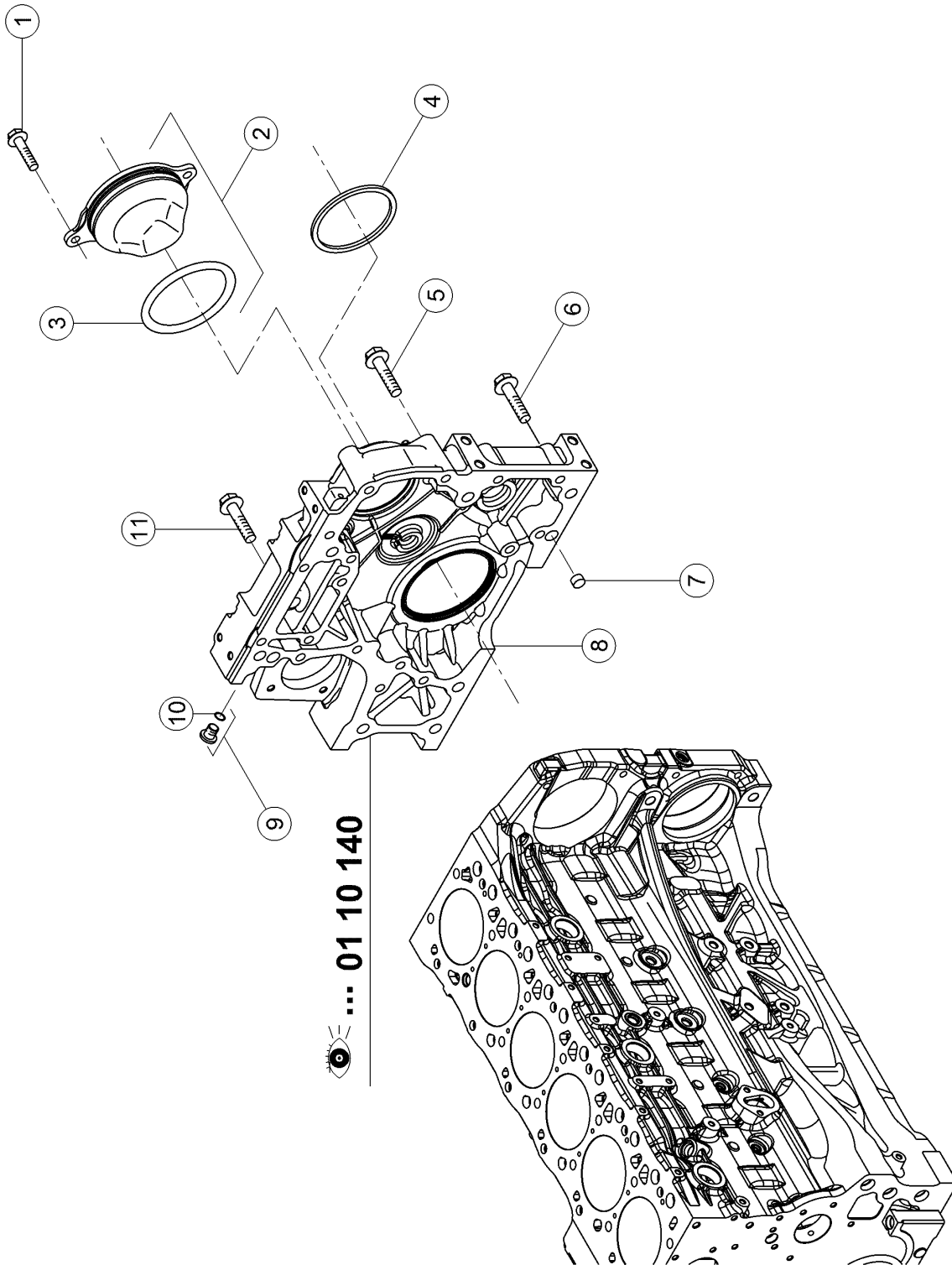
**1) machine no.** + up to A4302796  
 - A4302771  
 - A4302772  
 - A4302773  
 - A4302777  
 - A4302781  
 - A4302784  
 - A4302788  
 - A4302790  
 - A4302792

**2) machine no.** + A4302771  
 + A4302772  
 + A4302773  
 + A4302777  
 + A4302781  
 + A4302784  
 + A4302788  
 + A4302790  
 + A4302792  
 + A4302793



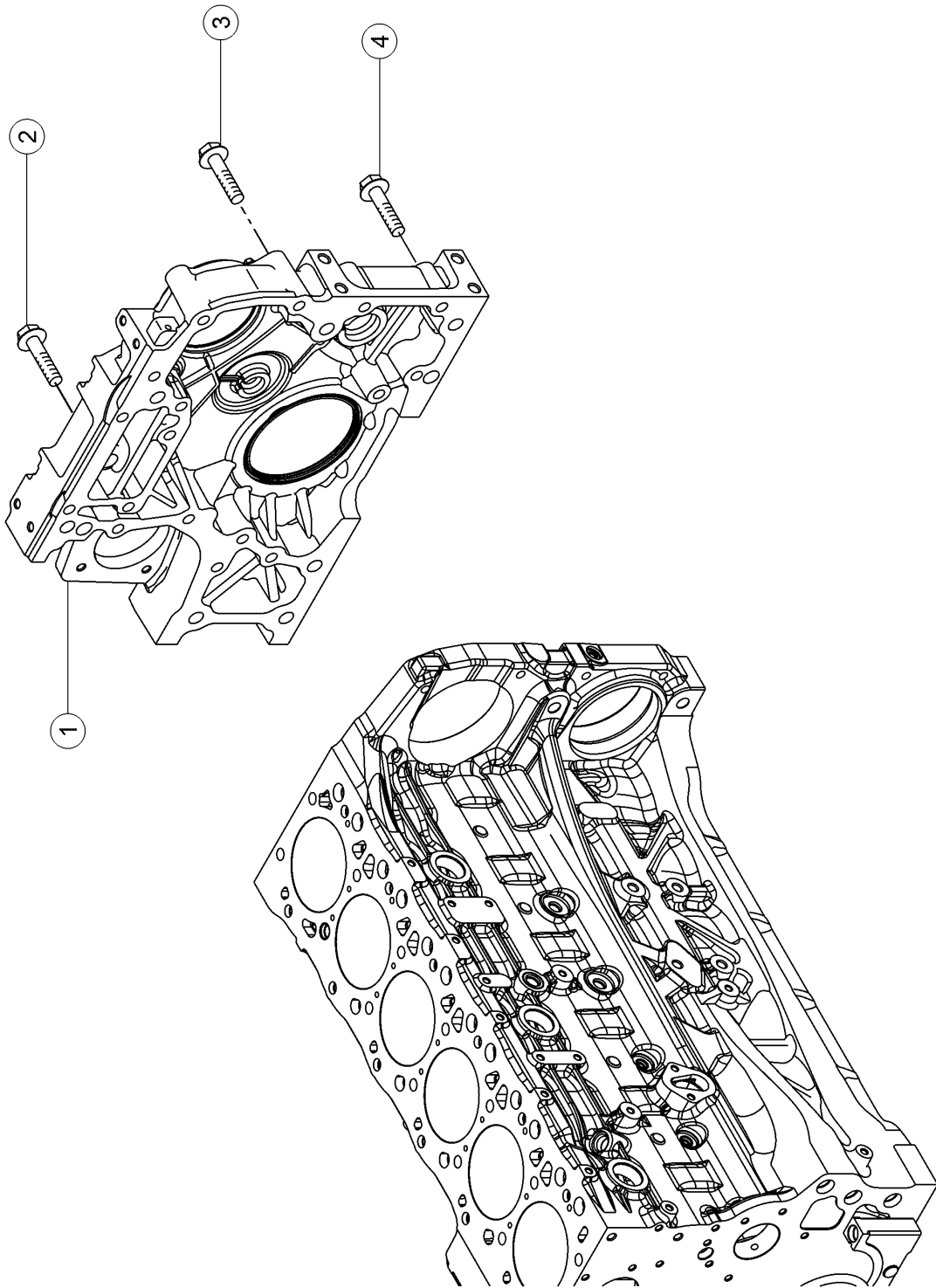
**100 CRANKCASE**

<b>Pos.</b>	<b>Part No.</b>	<b>Description</b>	<b>Dimension</b>	<b>Quantity</b>	<b>Conditions</b>
1	<b>00 1153 600 0</b>	SMOOTH RING		1	
2	<b>60 0503 120 1</b>	O-RING		1	
3	<b>60 0503 120 2</b>	O-RING		1	
4	<b>00 1153 601 0</b>	STD SCREW		1	



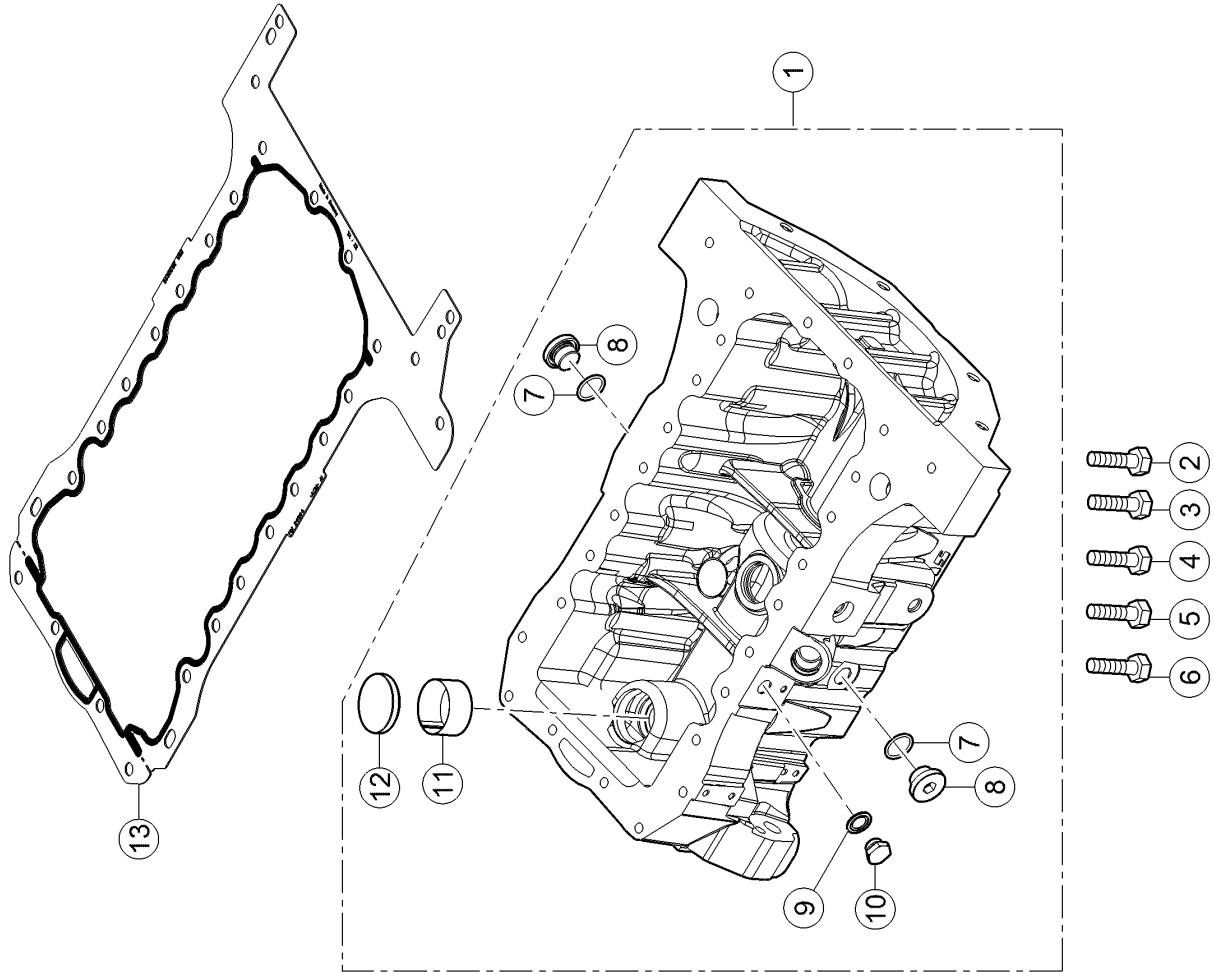
**120 TIMING CASE**

<b>Pos.</b>	<b>Part No.</b>	<b>Description</b>	<b>Dimension</b>	<b>Quantity</b>	<b>Conditions</b>
1	<b>60 0503 112 2</b>	SCREW		2	
2	<b>00 1149 462 0</b>	COVER		1	
3	<b>00 1139 454 0</b>	O-RING		1	
4	<b>00 1147 783 0</b>	SEALING RING		1	
5	<b>00 1139 460 0</b>	SCREW		1	
6	<b>00 1139 457 0</b>	SCREW		1	
7	<b>60 0503 100 8</b>	CENTRING PIN		2	
8	<b>00 1149 460 0</b>	CASING		1	
9	<b>60 0503 099 3</b>	PLUG		1	
10	<b>60 0503 099 4</b>	O-RING		1	
11	<b>00 1139 458 0</b>	SCREW		15	



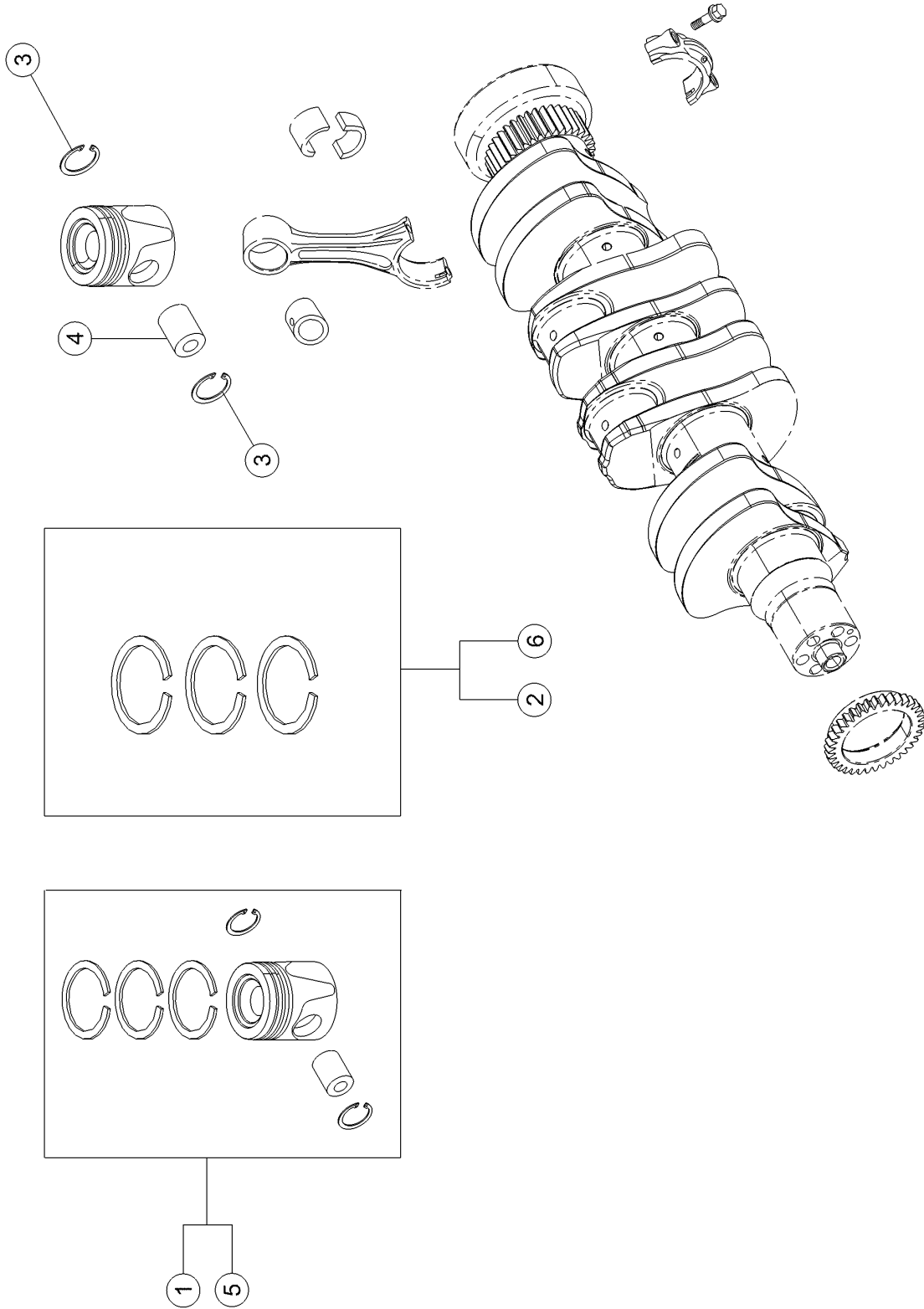
**140 FLYWHEEL HOUSING**

<b>Pos.</b>	<b>Part No.</b>	<b>Description</b>	<b>Dimension</b>	<b>Quantity</b>	<b>Conditions</b>
1	<b>00 1149 460 0</b>	CASING		1	
2	<b>00 1139 458 0</b>	SCREW		15	
3	<b>00 1139 460 0</b>	SCREW		1	
4	<b>00 1139 457 0</b>	SCREW		1	



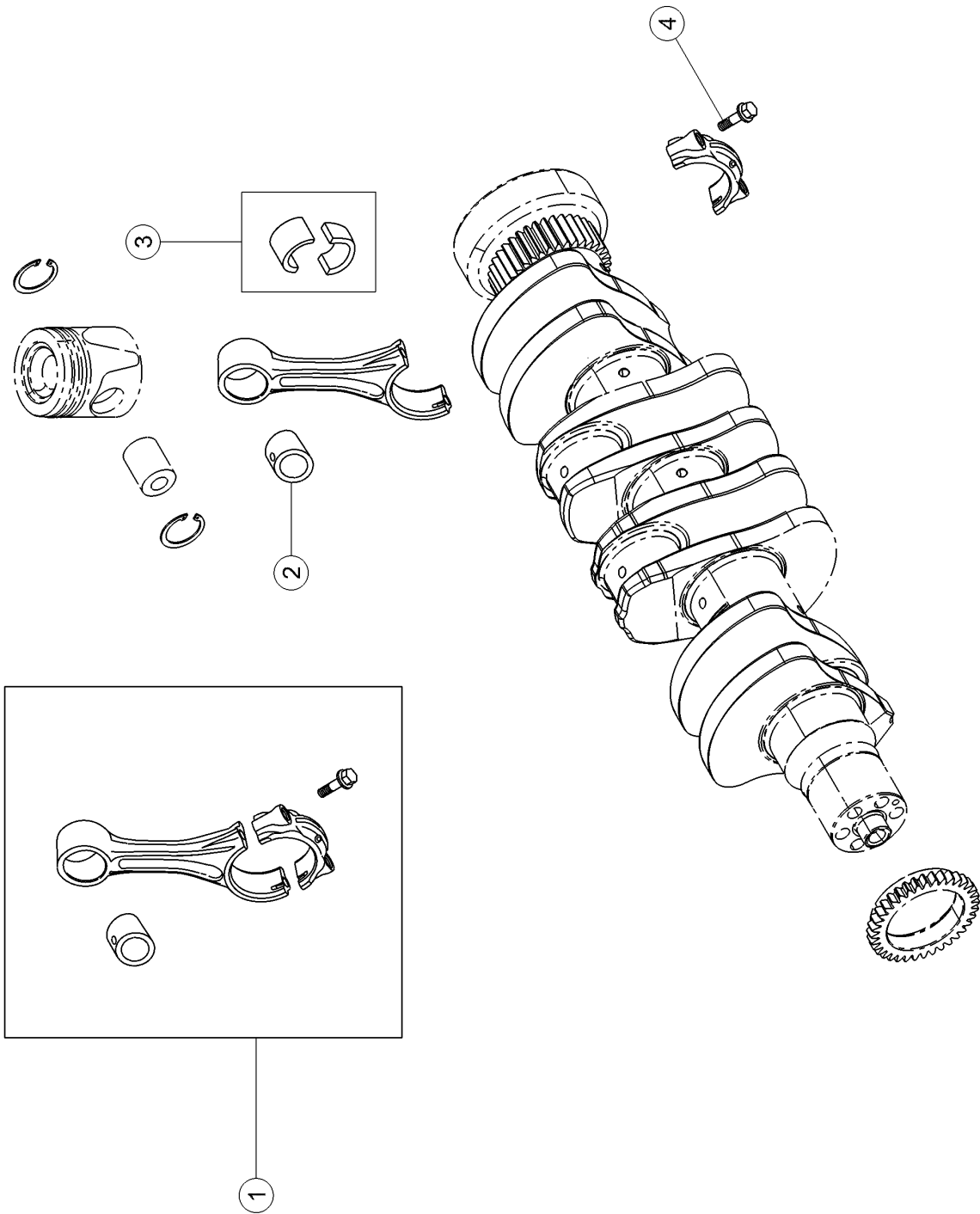
**160 OIL PAN**

<b>Pos.</b>	<b>Part No.</b>	<b>Description</b>	<b>Dimension</b>	<b>Quantity</b>	<b>Conditions</b>
1	<b>00 1158 717 0</b>	CASING		1	
2	<b>00 1152 885 0</b>	SCREW		16	
3	<b>00 1152 711 0</b>	SCREW		4	
4	<b>00 1152 886 0</b>	SCREW		2	
5	<b>00 1152 887 0</b>	SCREW		2	
6	<b>00 1152 888 0</b>	SCREW		2	
7	<b>60 0503 101 1</b>	O-RING		2	
8	<b>60 0503 101 0</b>	SCREW PLUG		2	
9	<b>60 0503 132 7</b>	GASKET		1	
10	<b>60 0502 555 9</b>	LOCK		1	
11	<b>60 0503 101 4</b>	ENGINE OIL FILTER		1	
12	<b>60 0503 101 5</b>	LOCK		1	
13	<b>00 1152 889 0</b>	FLAT SEAL		1	



**100 CYLINDER LINER, PISTON**

Pos.	Part No.	Description	Dimension	Quantity	Conditions
1	<b>00 1152 892 0</b>	ENGINE PISTON		4	1)
1	<b>00 1160 052 0</b>	ENGINE PISTON		4	2)
2	<b>00 1152 894 0</b>	SET OF PISTON RINGS		4	1)
2	<b>00 1160 050 0</b>	SET OF PISTON RINGS		4	2)
3	<b>00 1149 532 0</b>	INT RETAINING RING		8	
4	<b>00 1149 533 0</b>	AXLE		4	
5	<b>00 1171 770 0</b>	ENGINE PISTON		4	3)
5	<b>00 1171 742 0</b>	ENGINE PISTON		4	4)
6	<b>00 1171 769 0</b>	SET OF PISTON RINGS		4	3)
6	<b>00 1171 741 0</b>	SET OF PISTON RINGS		4	4)
<hr/>					
<b>1)</b>	<b>machine no.</b>		+ up to A4300175 standard design		
<hr/>					
<b>2)</b>	<b>machine no.</b>		+ from A4300176 standard design		
<hr/>					
<b>3)</b>	<b>machine no.</b>		+ up to A4300175 +0,4		
<hr/>					
<b>4)</b>	<b>machine no.</b>		+ from A4300176 +0,4		
<hr/>					



**120 CONNECTING ROD, CONNECTING ROD BEARINGS**

Pos.	Part No.	Description	Dimension	Quantity	Conditions
1	<b>00 1149 550 0</b>	ROD (ENGINE)		4	1)
1	<b>00 1166 560 0</b>	ROD (ENGINE)		4	2)
2	<b>00 1149 551 0</b>	RING		4	
3	<b>00 1152 896 0</b>	SET OF BEARING BUSHES		4	3)
3	<b>00 1152 897 0</b>	SET OF BEARING BUSHES		4	4)
3	<b>00 1152 898 0</b>	SET OF BEARING BUSHES		4	5)
4	<b>60 0503 108 9</b>	SCREW		8	

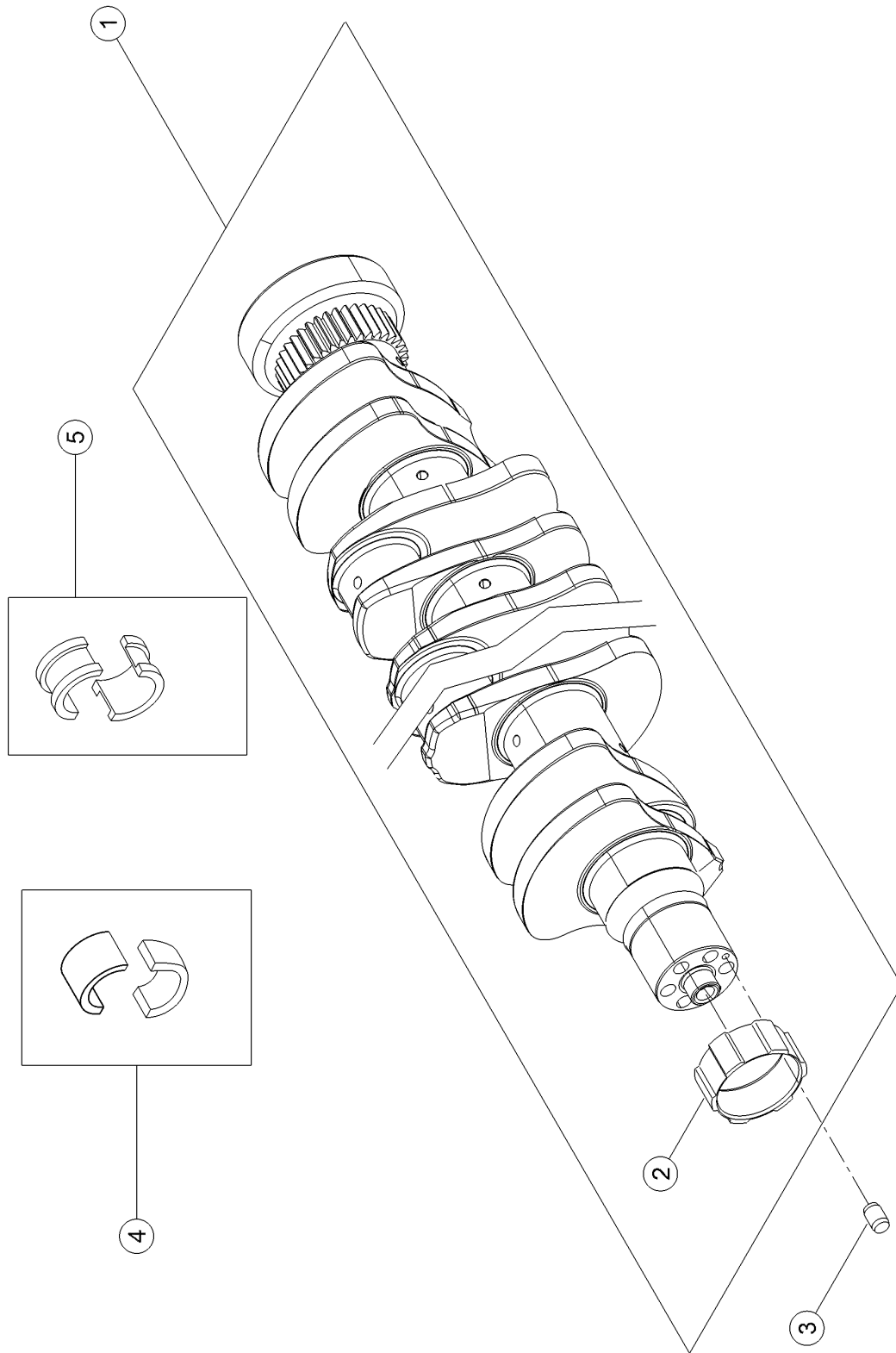
**1) machine no.** + up to A4304047  
 - A4303969  
 - A4303970  
 - A4303973  
 - A4303974  
 - A4303975  
 - A4303980  
 - A4303983  
 - A4303984  
 - A4303986

**2) machine no.** + A4303969  
 + A4303970  
 + A4303973  
 + A4303974  
 + A4303975  
 + A4303980  
 + A4303983  
 + A4303984  
 + A4303986  
 + A4303990

**3) Remarks** STANDARD

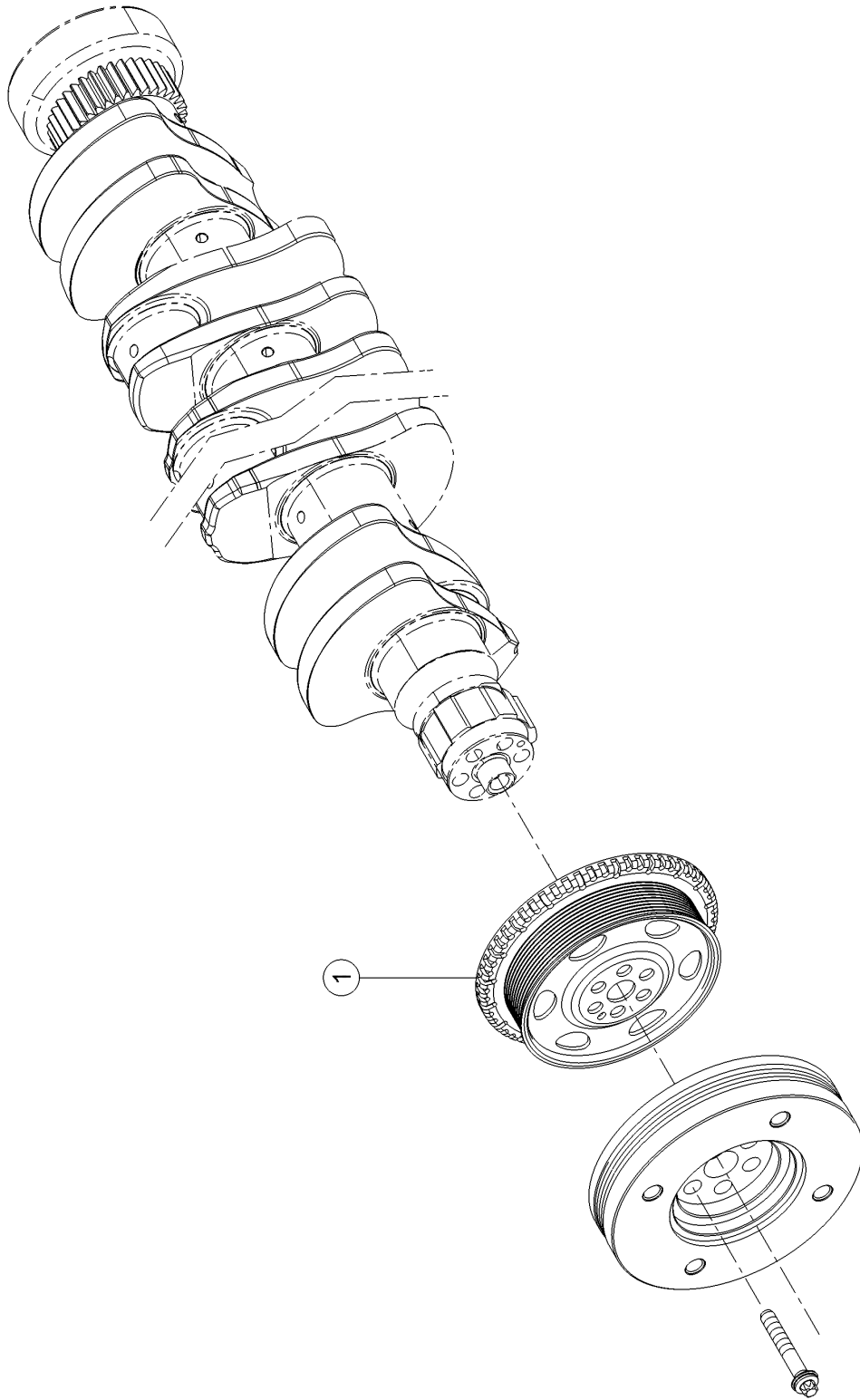
**4) Remarks** -0,250

**5) Remarks** -0,500



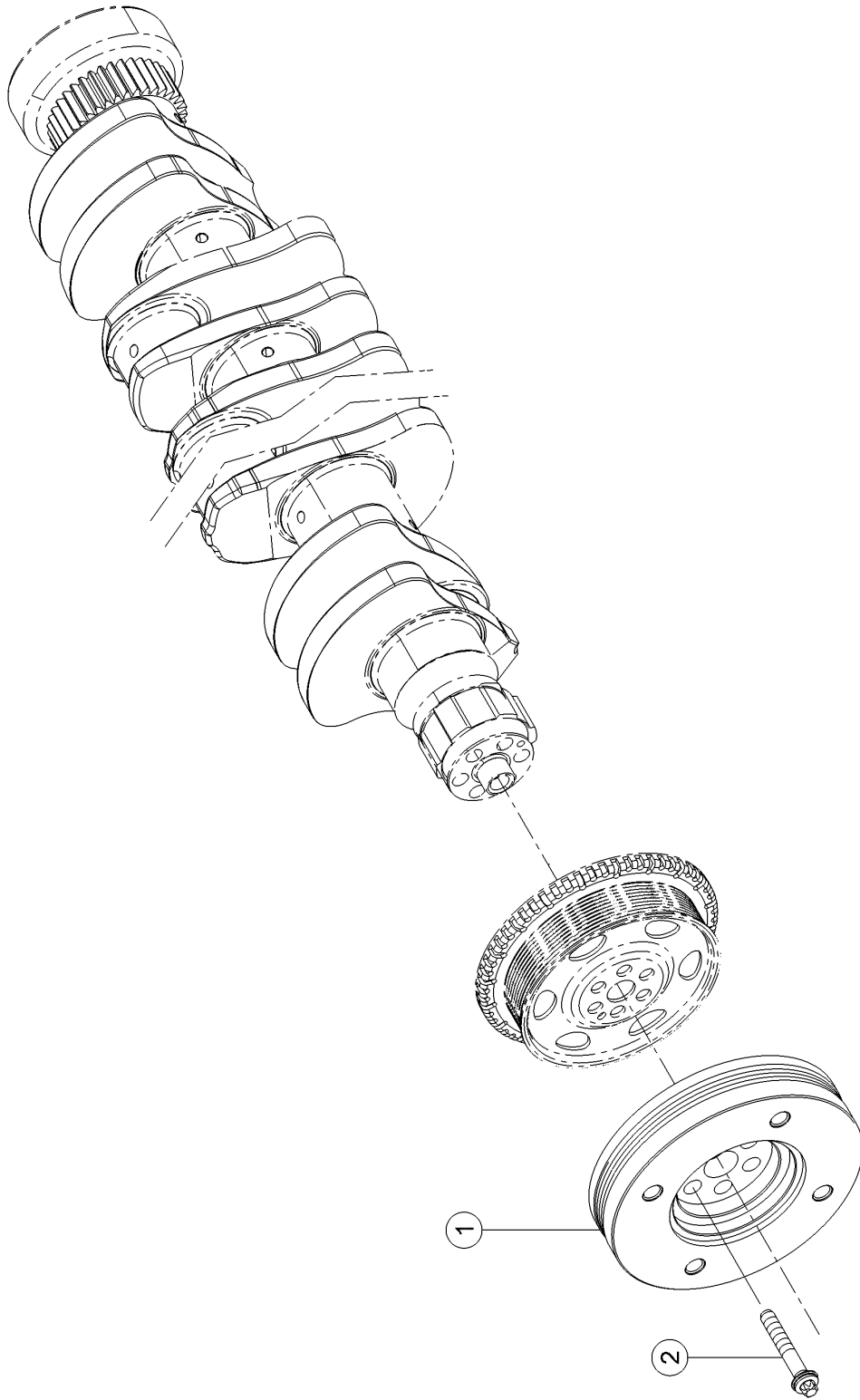
**140 CRANKSHAFT**

<b>Pos.</b>	<b>Part No.</b>	<b>Description</b>	<b>Dimension</b>	<b>Quantity</b>	<b>Conditions</b>
1	<b>00 1152 902 0</b>	CRANKSHAFT		1	
2	<b>00 1139 671 0</b>	BUSHING		1	
3	<b>00 1138 511 0</b>	CENTRING PIN		1	
4	<b>00 1149 562 0</b>	SET OF BEARING BUSHES		4	1)
4	<b>00 1150 898 0</b>	SET OF BEARING BUSHES		4	2)
4	<b>00 1150 900 0</b>	SET OF BEARING BUSHES		4	3)
5	<b>00 1149 563 0</b>	SET OF BEARING BUSHES		1	1)
5	<b>00 1150 901 0</b>	SET OF BEARING BUSHES		1	2)
5	<b>00 1150 902 0</b>	SET OF BEARING BUSHES		1	3)
<b>1)</b>	<b>Remarks</b>		STANDARD		
<b>2)</b>	<b>Remarks</b>		-0,250		
<b>3)</b>	<b>Remarks</b>		-0,500		



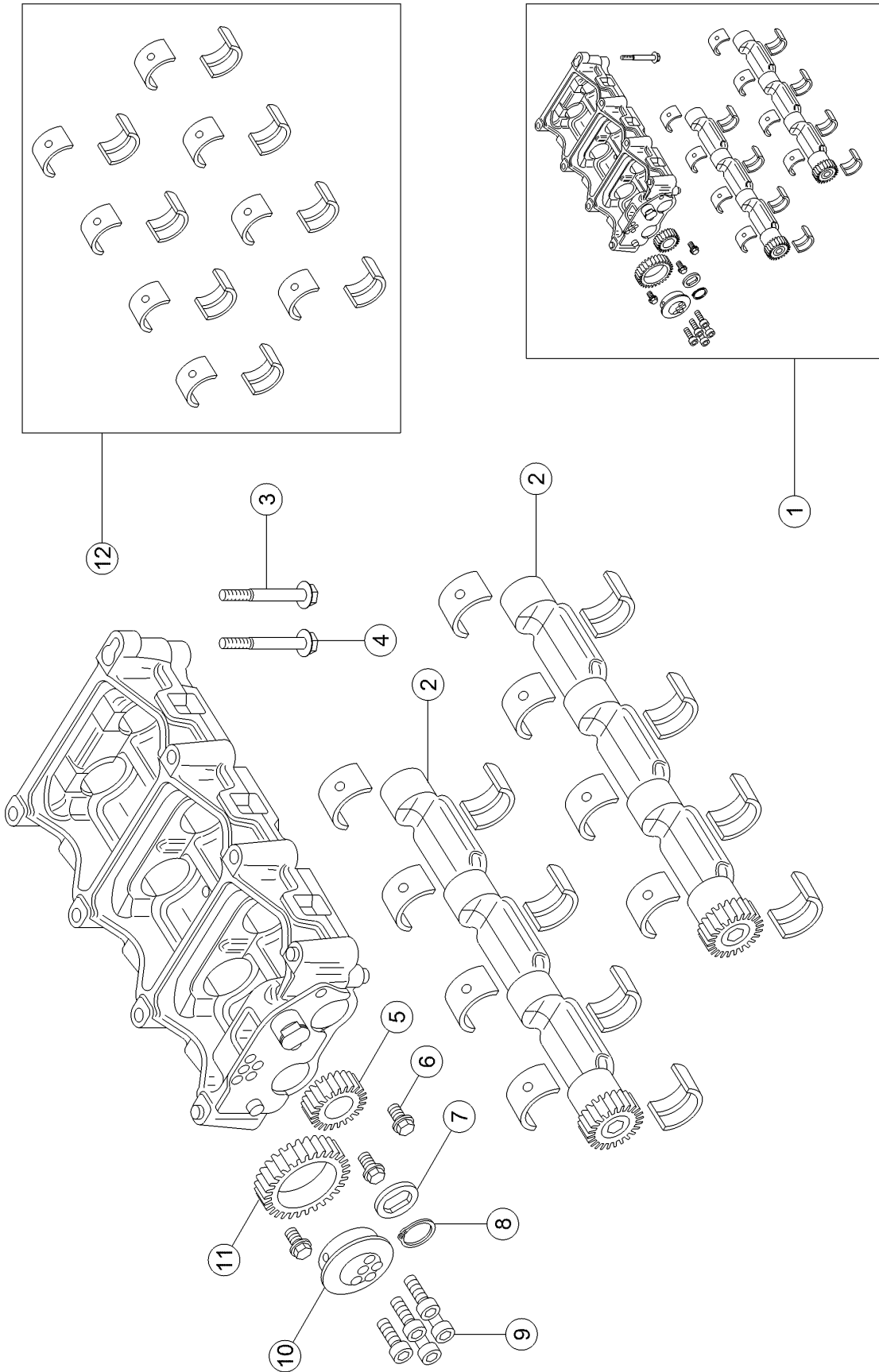
**160 CRANKSHAFT PULLEY WHEEL**

<b>Pos.</b>	<b>Part No.</b>	<b>Description</b>	<b>Dimension</b>	<b>Quantity</b>	<b>Conditions</b>
1	<b>00 1149 566 0</b>	PULLEY		1	



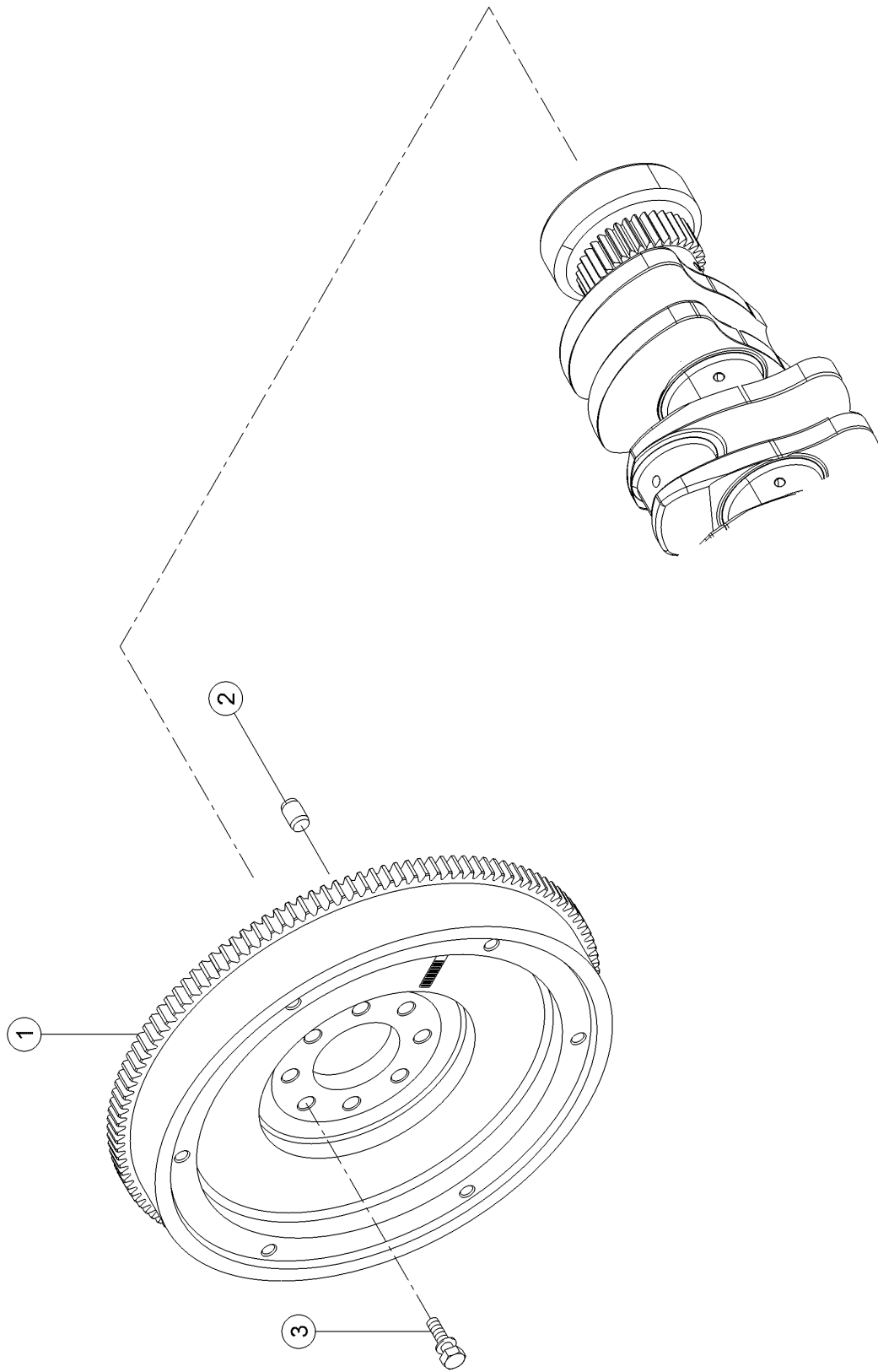
**180 CRANKSHAFT DAMPER**

<b>Pos.</b>	<b>Part No.</b>	<b>Description</b>	<b>Dimension</b>	<b>Quantity</b>	<b>Conditions</b>
1	<b>00 1152 907 0</b>	ANTI-VIBRATION WHEEL		1	
2	<b>60 0503 104 3</b>	SCREW		6	



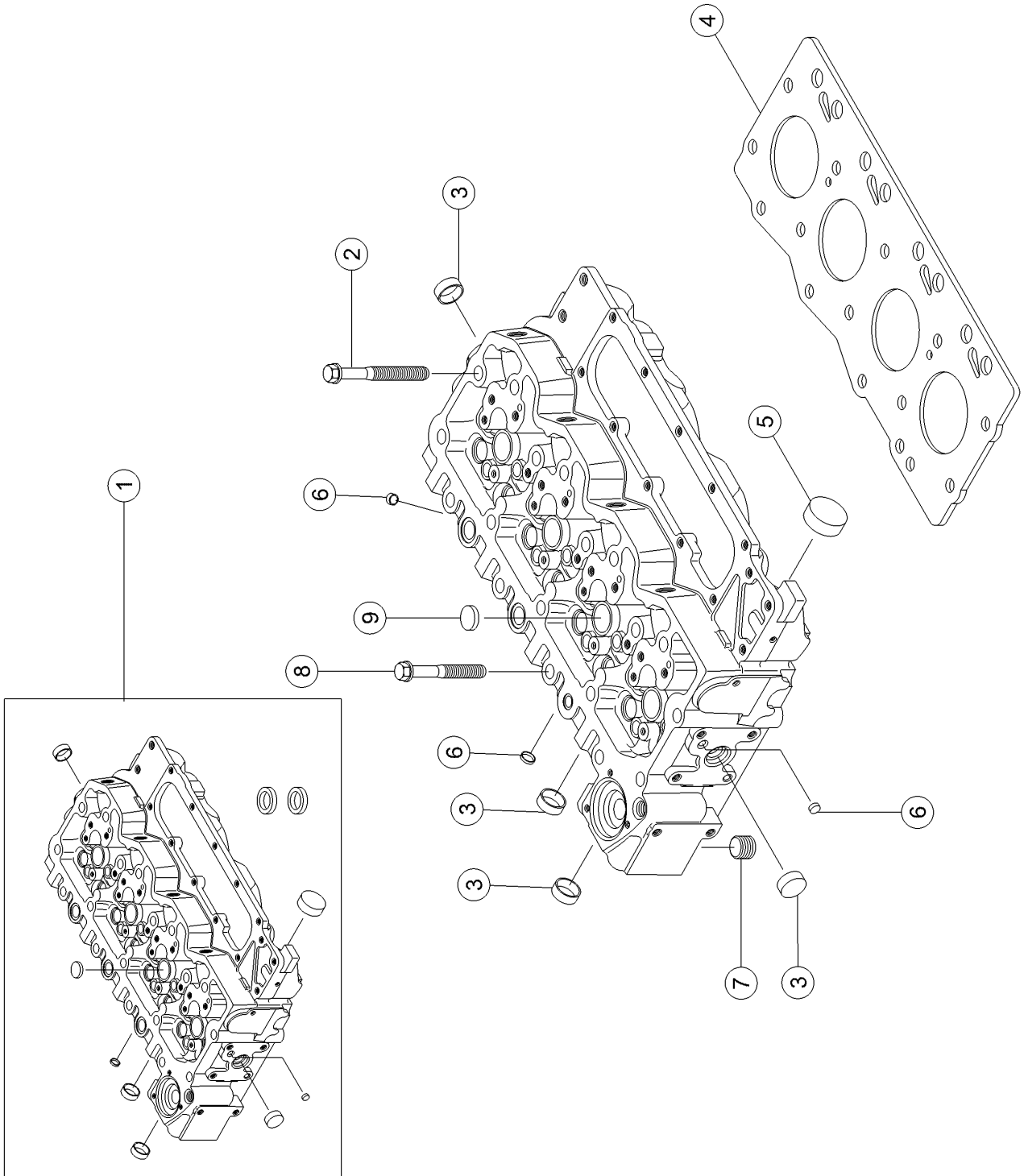
**200 MASS BALANCING**

<b>Pos.</b>	<b>Part No.</b>	<b>Description</b>	<b>Dimension</b>	<b>Quantity</b>	<b>Conditions</b>
1	<b>00 1138 515 0</b>	CRANKSHAFT DAMPER		1	
2	<b>60 0503 111 4</b>	SHAFT		2	
3	<b>60 0503 112 7</b>	SCREW		1	
4	<b>00 1139 781 0</b>	SCREW		7	
5	<b>60 0503 111 6</b>	WHEEL		1	
6	<b>60 0503 112 2</b>	SCREW		3	
7	<b>60 0503 111 7</b>	WASHER		1	
8	<b>60 0503 111 8</b>	WASHER		1	
9	<b>60 0503 112 0</b>	SCREW		5	
10	<b>60 0503 112 1</b>	HUB		1	
11	<b>60 0503 112 3</b>	WHEEL		1	
12	<b>00 1152 694 0</b>	BEARING BUSH		1	



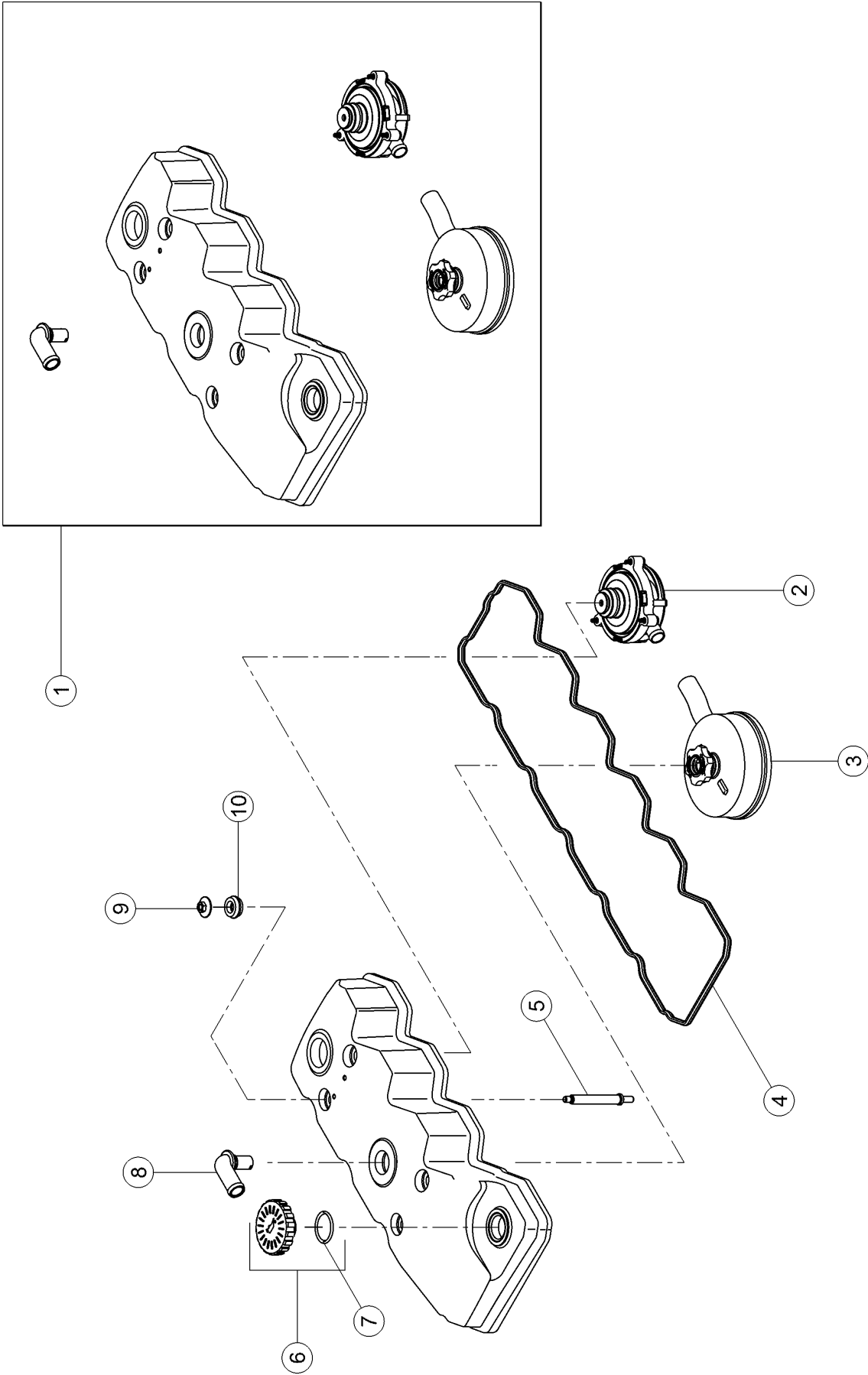
**220 FLYWHEEL**

<b>Pos.</b>	<b>Part No.</b>	<b>Description</b>	<b>Dimension</b>	<b>Quantity</b>	<b>Conditions</b>
1	<b>00 1152 909 0</b>	FLYWHEEL		1	
2	<b>60 0503 111 0</b>	CENTRING PIN		1	
3	<b>60 0503 111 1</b>	SCREW		8	



**100 CYLINDER HEAD**

<b>Pos.</b>	<b>Part No.</b>	<b>Description</b>	<b>Dimension</b>	<b>Quantity</b>	<b>Conditions</b>
1	<b>00 1152 911 0</b>	CYLINDER HEAD		1	
2	<b>00 1149 574 0</b>	SCREW		10	
3	<b>00 1139 905 0</b>	PLUG		9	
4	<b>00 1152 816 0</b>	CYLINDER HEAD GASKET		1	1)
4	<b>00 1160 921 0</b>	CYLINDER HEAD GASKET		1	2)
5	<b>00 1149 576 0</b>	PLUG		2	
6	<b>00 1149 572 0</b>	PLUG		5	
7	<b>00 1149 575 0</b>	PLUG		1	
8	<b>00 1149 573 0</b>	SCREW		8	
9	<b>60 0503 099 1</b>	PLUG		7	
<b>1)</b>	<b>Remarks</b>		ép.1,25mm		
<b>2)</b>	<b>Remarks</b>		ép.1,15mm		

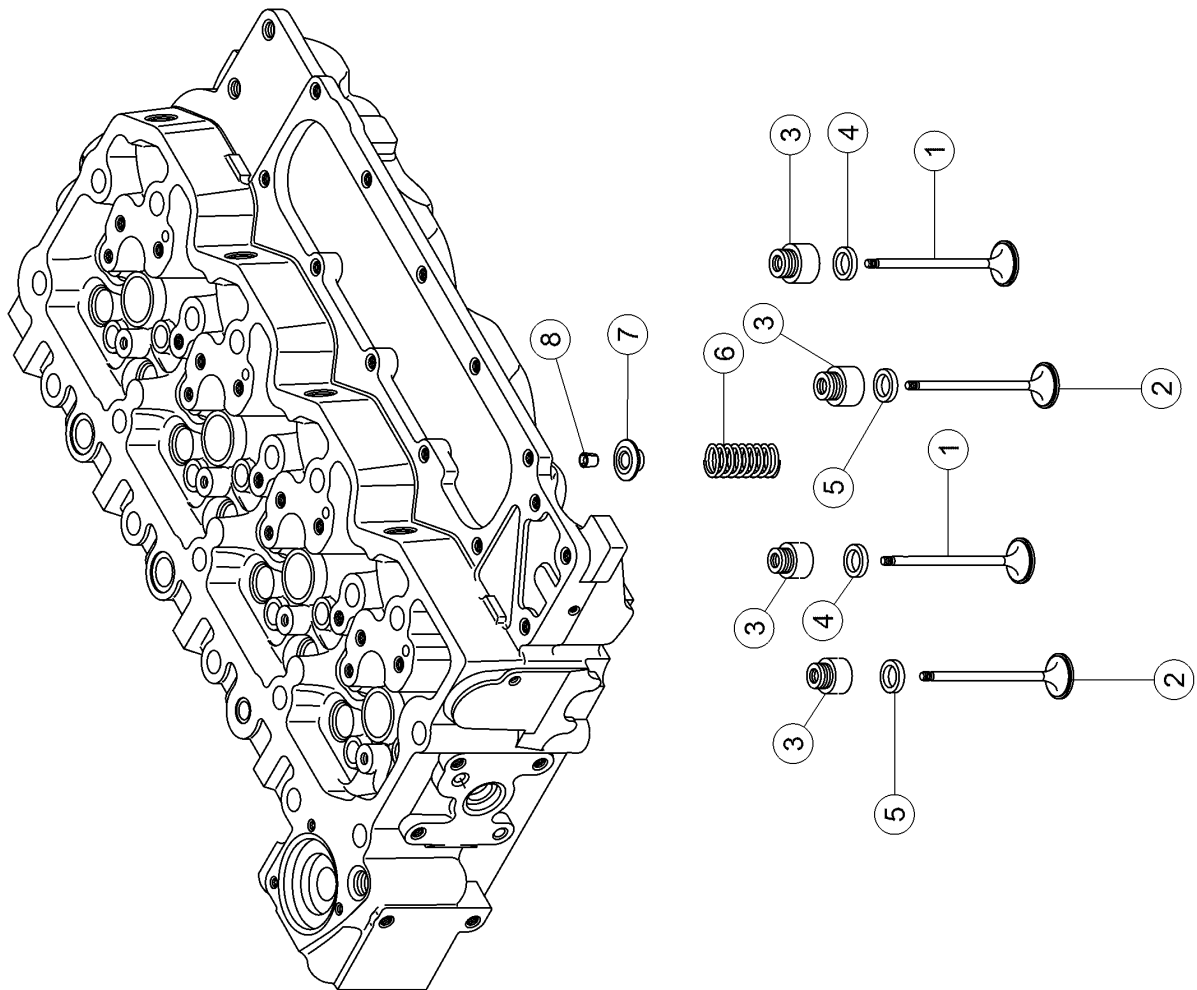


**120 CYLINDER HEAD COVER**

Pos.	Part No.	Description	Dimension	Quantity	Conditions
1	<b>00 1152 918 0</b>	ROCKER COVER		1	1)
1	<b>00 1164 147 0</b>	ROCKER COVER		1	2)
2	<b>00 1149 659 0</b>	HYDRAULIC VALVE		1	1)
2	<b>00 1164 149 0</b>	HYDRAULIC VALVE		1	2)
3	<b>00 1149 660 0</b>	OIL VAPOUR FILTER		1	1)
3	<b>00 1164 150 0</b>	OIL VAPOUR FILTER		1	2)
4	<b>00 1152 920 0</b>	SEALING RING		1	
5	<b>00 1149 662 0</b>	STUD BOLT		4	
6	<b>00 1149 664 0</b>	PLUG		1	
7	<b>00 1149 665 0</b>	O-RING		1	
8	<b>00 1149 668 0</b>	TUBE		1	
9	<b>00 1149 667 0</b>	PLUG		4	
10	<b>00 1149 666 0</b>	SEALING RING		4	

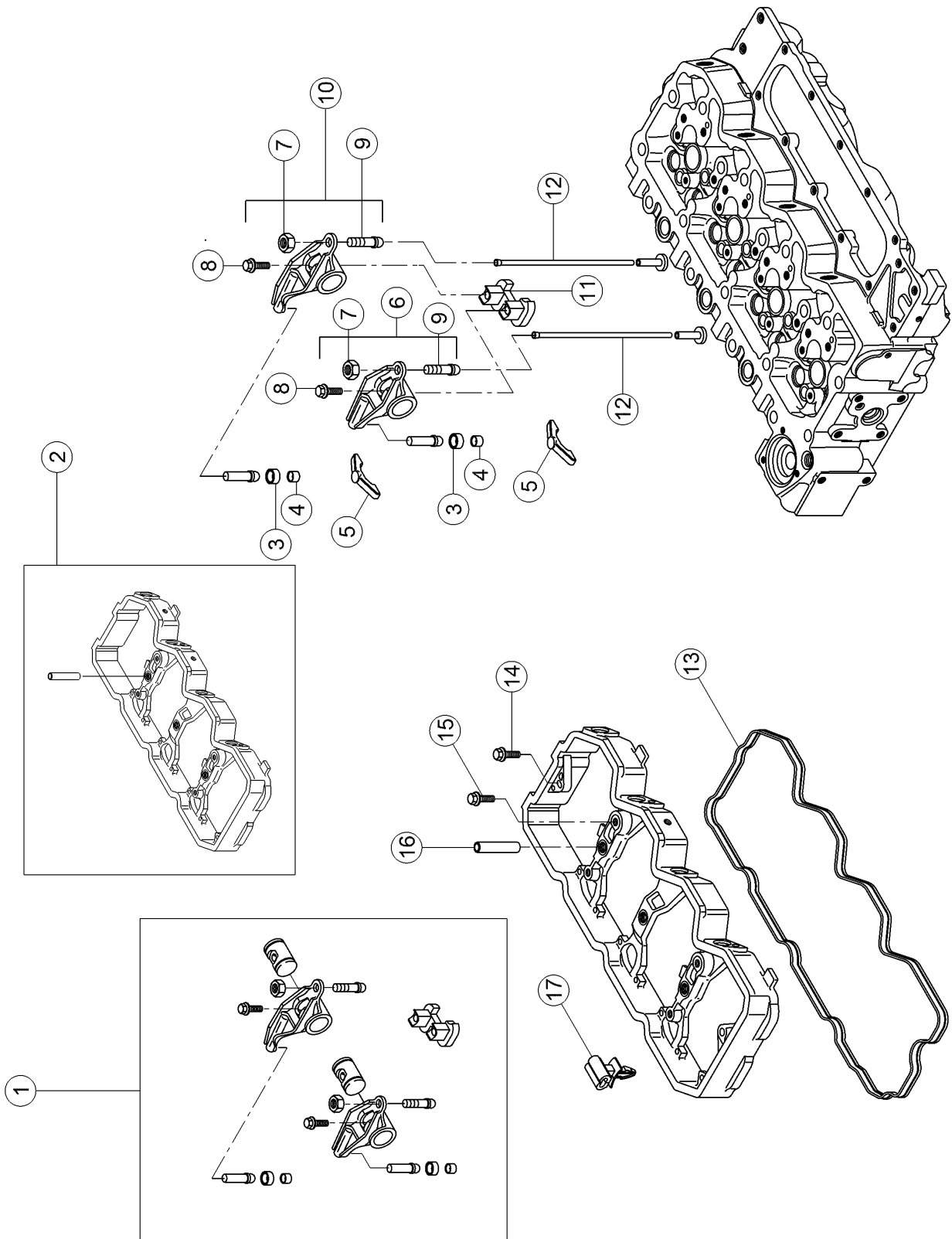
**1) machine no.** + up to A4303062  
 - A4303051  
 - A4303057  
 - A4303061  
 + A4303064  
 + A4303065  
 + A4303066  
 + A4303067  
 + A4303068  
 + A4303069

**2) machine no.** + A4303051  
 + A4303057  
 + A4303061  
 + from A4303063  
 - A4303064  
 - A4303065  
 - A4303066  
 - A4303067  
 - A4303068  
 - A4303069



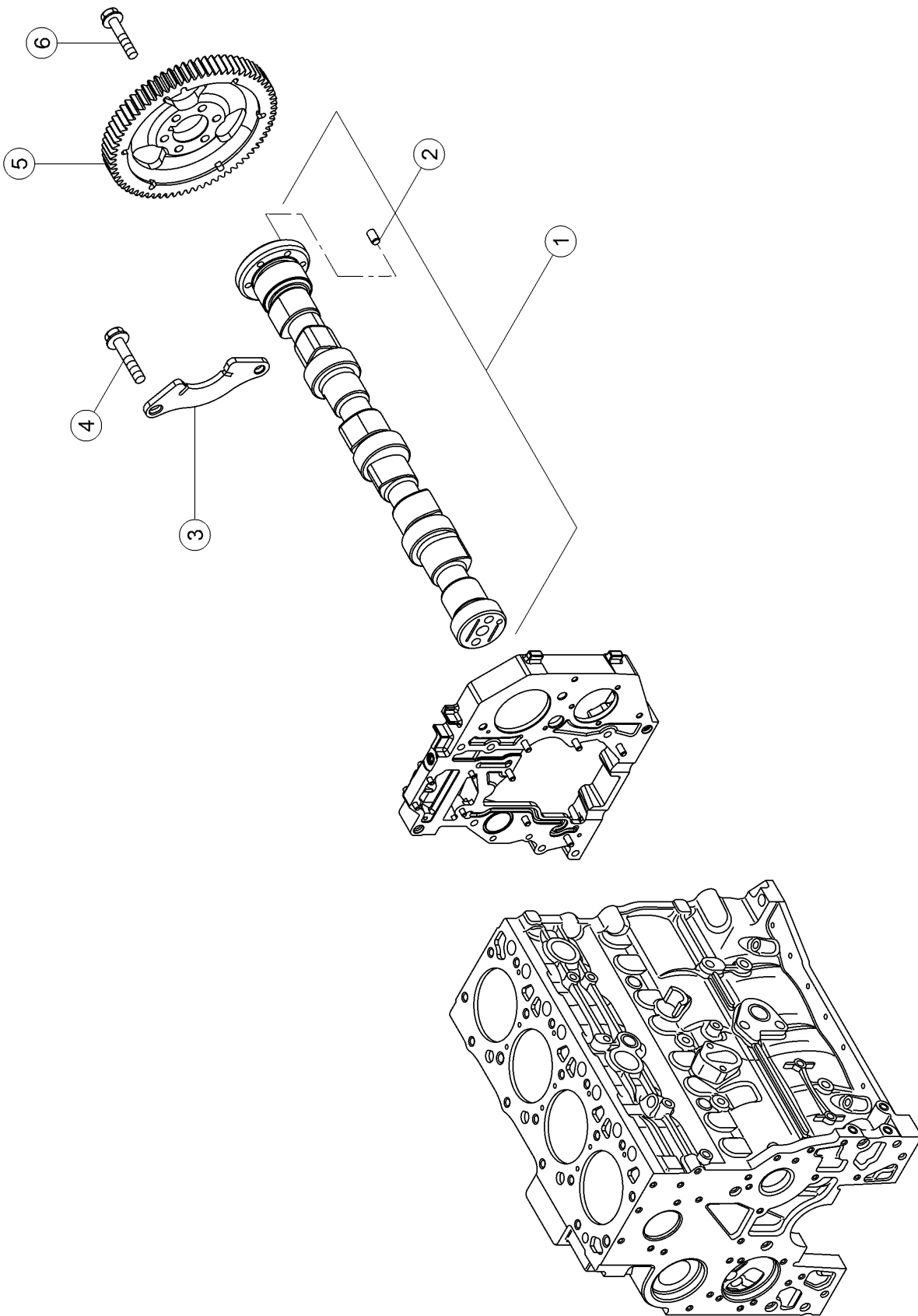
**140 VALVES**

<b>Pos.</b>	<b>Part No.</b>	<b>Description</b>	<b>Dimension</b>	<b>Quantity</b>	<b>Conditions</b>
1	<b>00 1149 685 0</b>	VALVE		8	1)
2	<b>00 1149 686 0</b>	VALVE		8	
3	<b>00 1149 683 0</b>	GUIDE		16	
4	<b>00 1149 684 0</b>	VALVE SEAT		8	1)
5	<b>00 1149 687 0</b>	VALVE SEAT		8	
6	<b>00 1149 681 0</b>	SPRING		16	
7	<b>00 1149 680 0</b>	WASHER		16	
8	<b>00 1149 679 0</b>	HALF-CONE		32	
<b>1)</b>	<b>Remarks</b>		INTAKE		



**160 ROCKER ARM**

<b>Pos.</b>	<b>Part No.</b>	<b>Description</b>	<b>Dimension</b>	<b>Quantity</b>	<b>Conditions</b>
1	<b>00 1149 695 0</b>	ROCKER ARM		4	
2	<b>00 1152 935 0</b>	CASING		1	
3	<b>00 1149 697 0</b>	BEARING BUSH		8	
4	<b>00 1149 698 0</b>	BASE		8	
5	<b>00 1149 699 0</b>	TIPPER		8	
6	<b>00 1149 700 0</b>	ROCKER ARM		4	
7	<b>00 1149 701 0</b>	SCREW		8	
8	<b>00 1149 789 0</b>	SCREW		8	
9	<b>00 1149 702 0</b>	SCREW		8	
10	<b>00 1149 703 0</b>	ROCKER ARM		4	
11	<b>00 1149 704 0</b>	SUPPORT		4	
12	<b>00 1149 705 0</b>	ROD		8	
13	<b>00 1152 940 0</b>	SEALING RING		1	
14	<b>00 1140 675 0</b>	SCREW		2	
15	<b>00 1149 707 0</b>	SCREW	M08X70	3	
16	<b>00 1149 708 0</b>	BRACE		3	
17	<b>00 1149 709 0</b>	STEEL CLIP		4	





**Suggest:**

**For more complete manuals. Please go to the home page.**

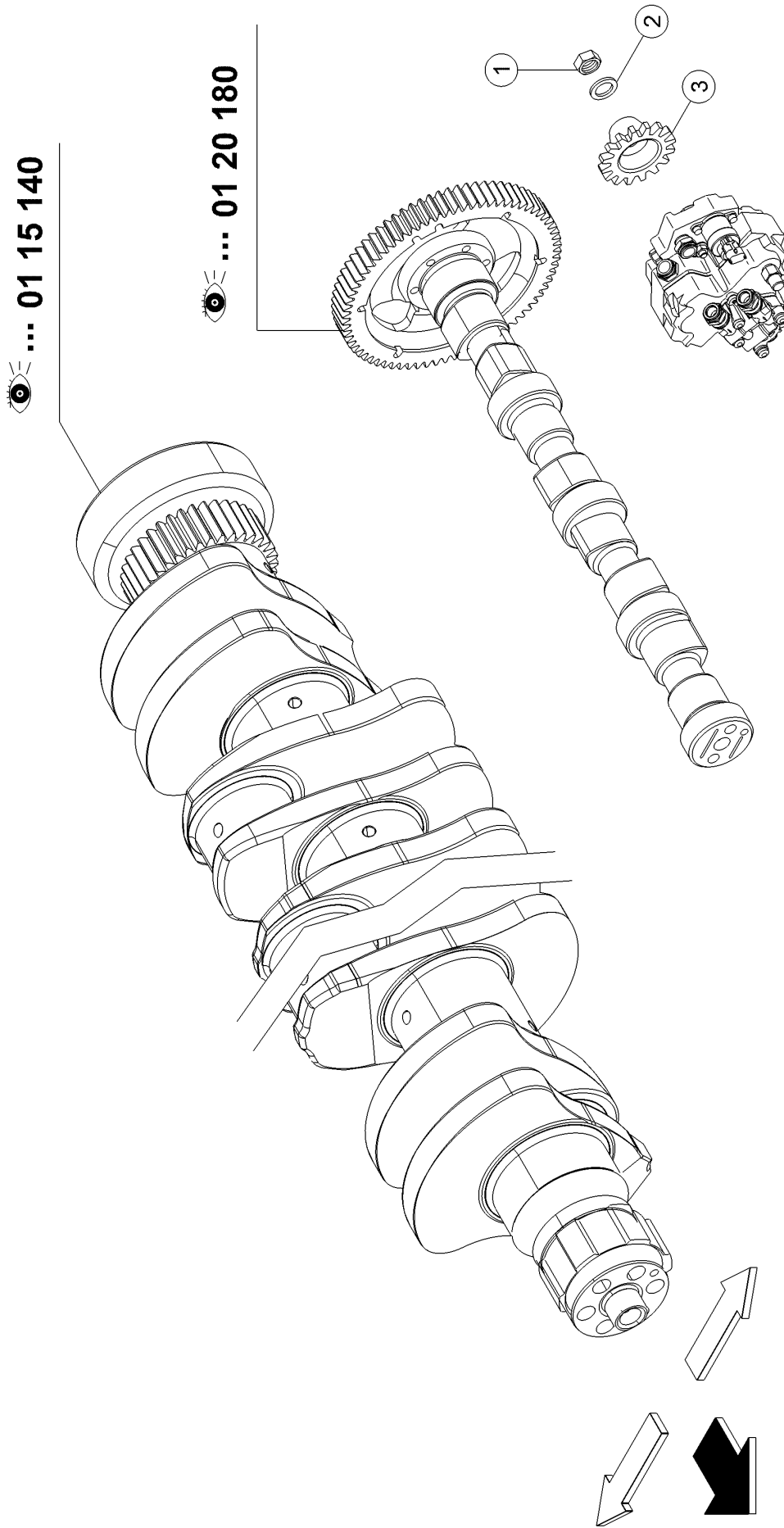
**<https://www.ebooklibonline.com>**

**If the above button click is invalid. Please download this document first, and then click the above link to download the complete manual.**

**Thank you so much for reading**

**180 CAMSHAFT, CAMSHAFT BEARING BUSHES**

<b>Pos.</b>	<b>Part No.</b>	<b>Description</b>	<b>Dimension</b>	<b>Quantity</b>	<b>Conditions</b>
1	<b>00 1152 948 0</b>	CAMSHAFT		1	
2	<b>60 0503 118 5</b>	CENTRING PIN		1	
3	<b>60 0503 118 6</b>	SUPPORT		1	
4	<b>00 1149 749 0</b>	SCREW		2	
5	<b>00 1152 943 0</b>	WHEEL		1	
6	<b>00 1140 981 0</b>	SCREW		6	



**200 IDLER GEAR**

<b>Pos.</b>	<b>Part No.</b>	<b>Description</b>	<b>Dimension</b>	<b>Quantity</b>	<b>Conditions</b>
1	<b>00 1149 927 0</b>	NUT		1	
2	<b>00 1149 926 0</b>	WASHER		1	
3	<b>00 1149 767 0</b>	WHEEL		1	

**<https://www.ebooklibonline.com>**

Hello dear friend!

Thank you very much for reading.

Enter the link into your browser.

The full manual is available for immediate download.

**<https://www.ebooklibonline.com>**