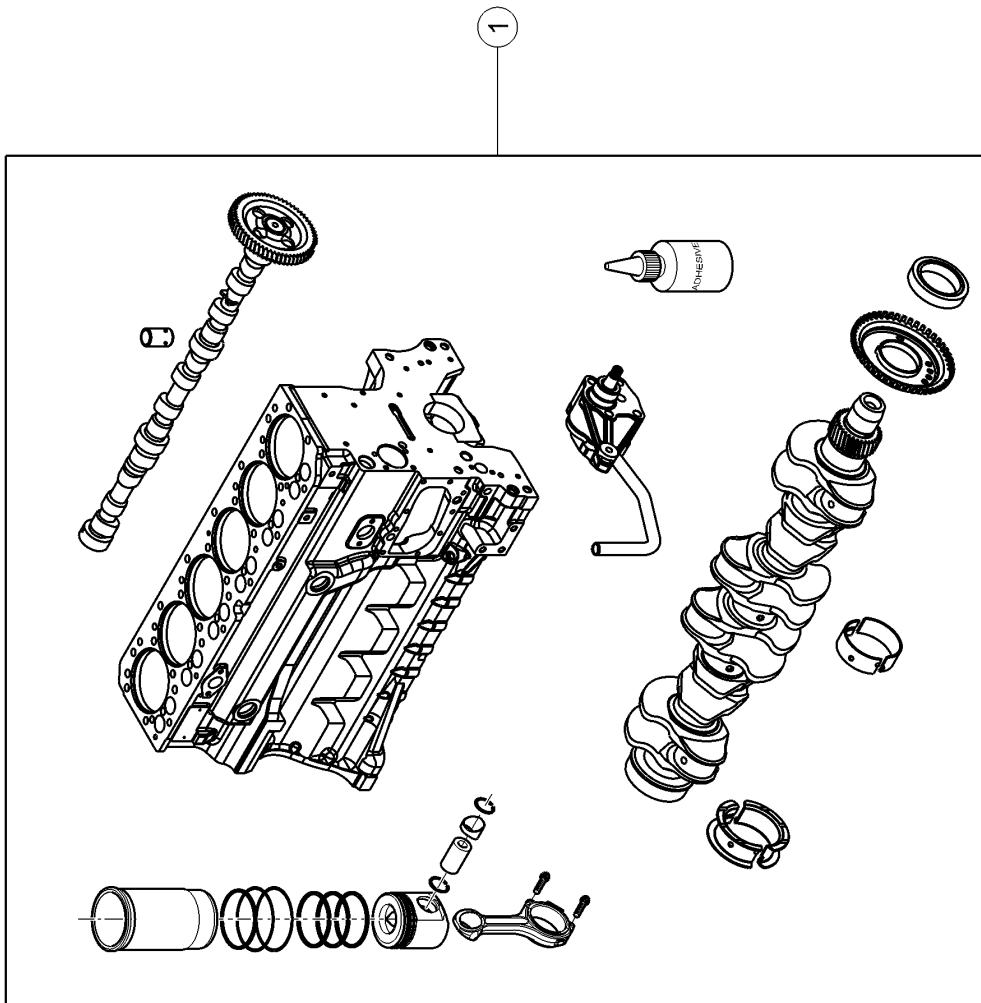


010 COMPLETE ENGINE 1)

Pos.	Part No.	Description	Dimension	Quantity	Conditions
1	00 1117 096 0	ENGINE		1	2)
1	00 1117 098 0	ENGINE		1	3)
1	00 1117 099 0	ENGINE		1	4)
1)	Equipment	TF_231_0000	Without Boost		
2)	Type/Subtype	A21/100 A21/110	+ ARION 410 95 HP ISO + ARION 410 CIS 95 HP ISO		
3)	Type/Subtype	A21/200 A21/210	+ ARION 420 105 HP ISO + ARION 420 CIS 105 HP ISO		
4)	Type/Subtype	A21/300 A21/310	+ ARION 430 115 HP ISO + ARION 430 CIS 115 HP ISO		



<https://www.ebooklibonline.com>

Hello dear friend!

Thank you very much for reading.

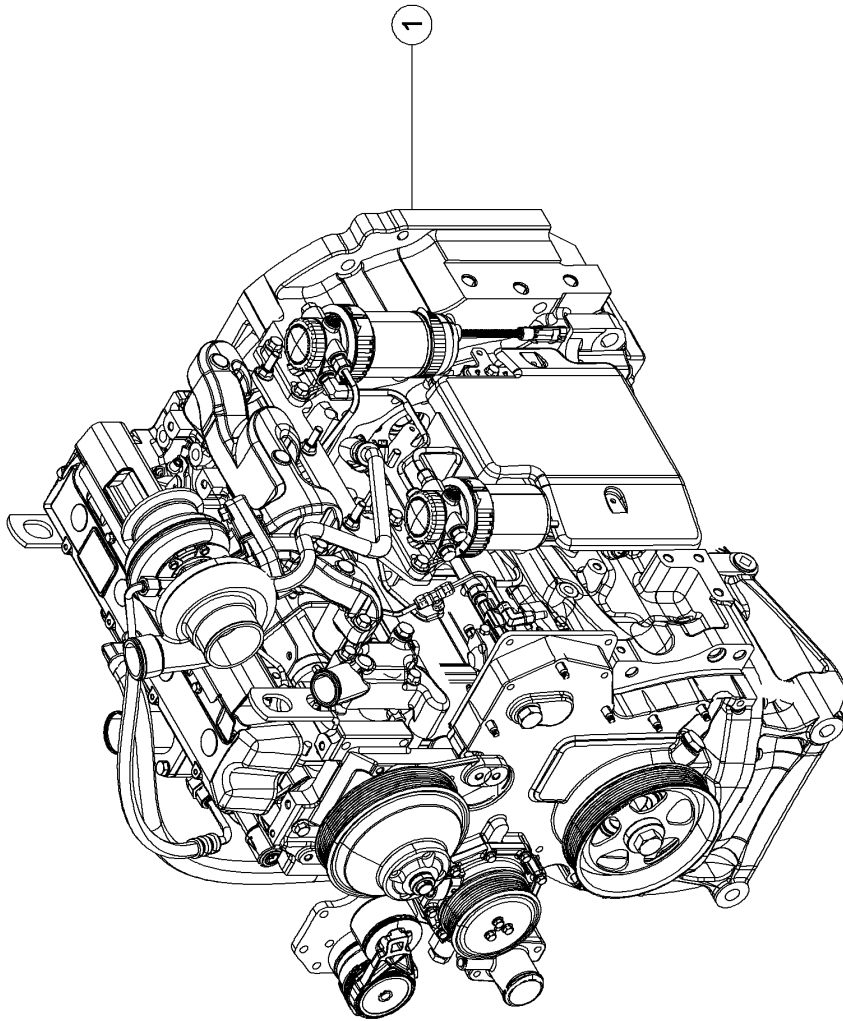
Enter the link into your browser.

The full manual is available for immediate download.

<https://www.ebooklibonline.com>

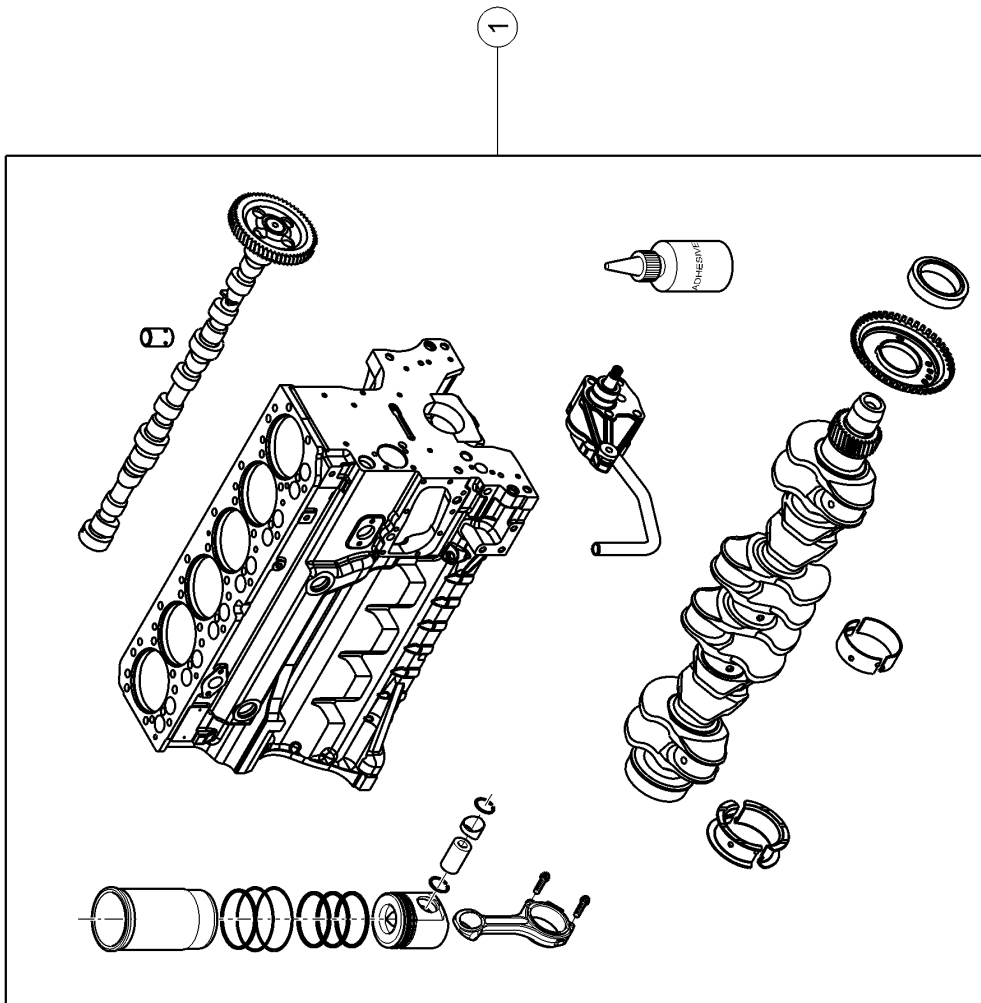
010 COMPLETE ENGINE 1)

Pos.	Part No.	Description	Dimension	Quantity	Conditions
1	00 1142 985 0	SHORT BLOCK		1	
1)	Equipment	TF_231_0000	Without Boost		



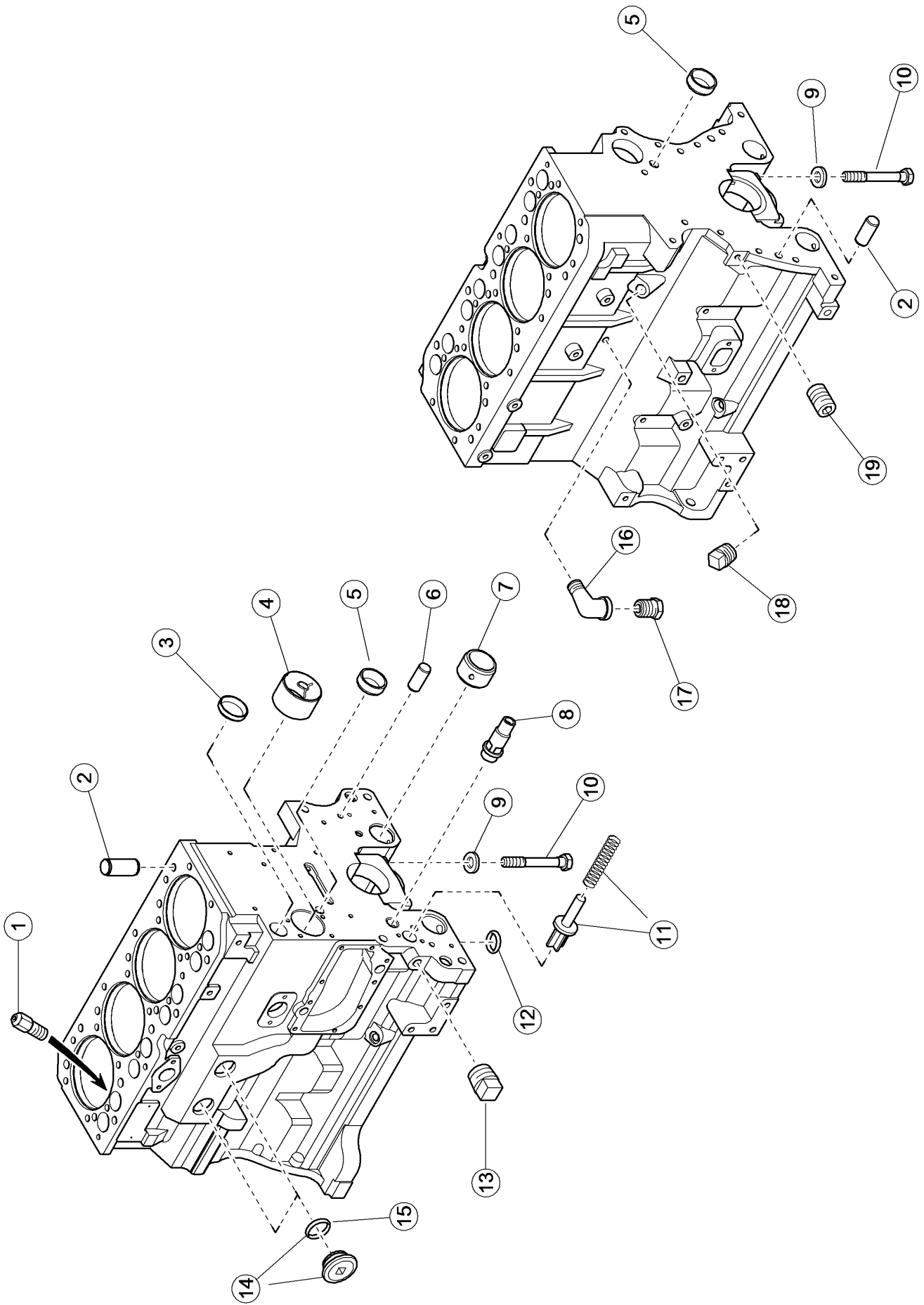
010 COMPLETE ENGINE 1)

Pos.	Part No.	Description	Dimension	Quantity	Conditions
1	00 1120 426 0	ENGINE		1	2)
1	00 1120 427 0	ENGINE		1	3)
1	00 1120 428 0	ENGINE		1	4)
1)	Equipment	TF_231_0001	With 10 hp CPM		
2)	Type/Subtype	A21/100 A21/110	+ ARION 410 95 HP ISO + ARION 410 CIS 95 HP ISO		
3)	Type/Subtype	A21/200 A21/210	+ ARION 420 105 HP ISO + ARION 420 CIS 105 HP ISO		
4)	Type/Subtype	A21/300 A21/310	+ ARION 430 115 HP ISO + ARION 430 CIS 115 HP ISO		



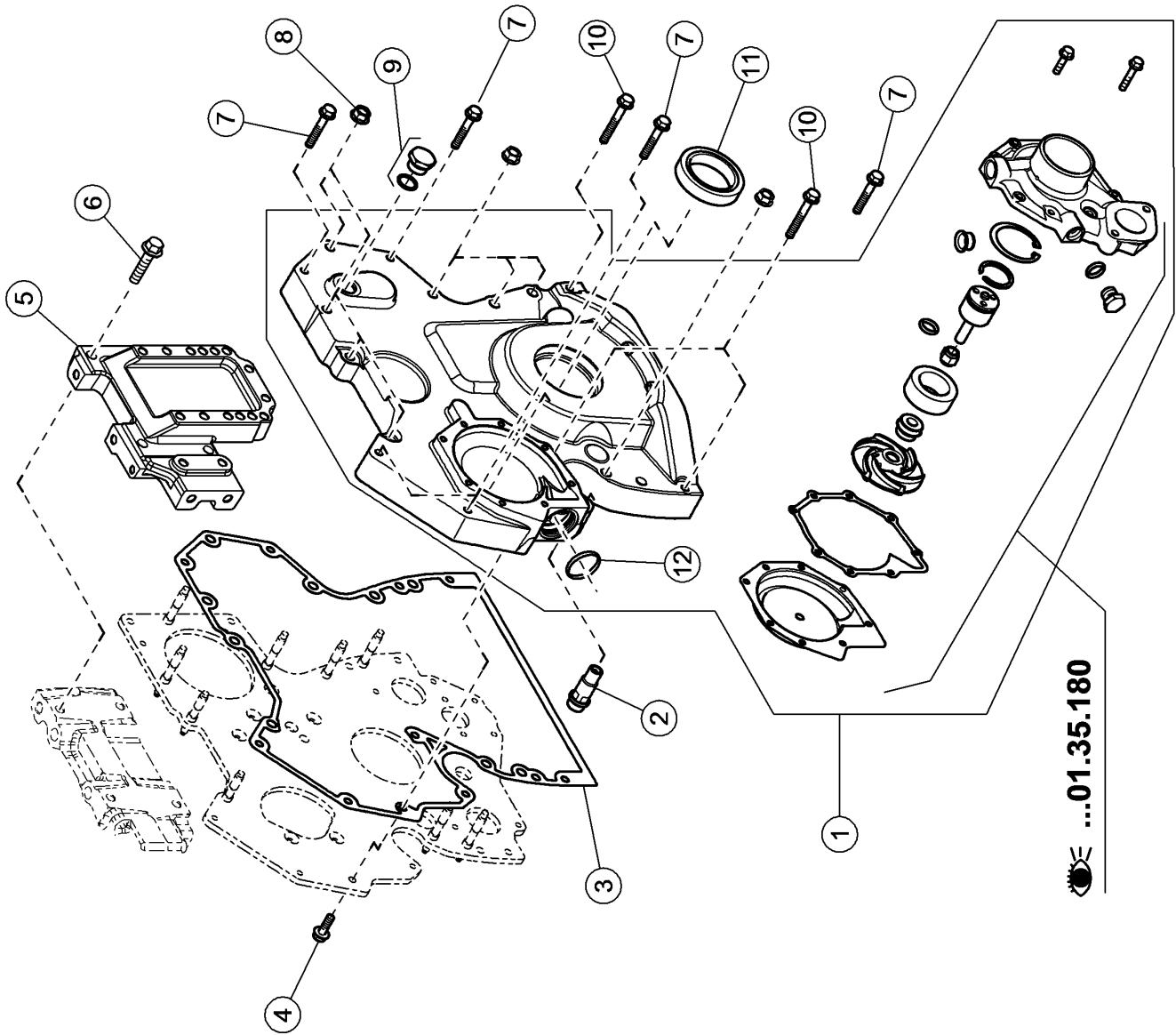
010 COMPLETE ENGINE 1)

Pos.	Part No.	Description	Dimension	Quantity	Conditions
1	00 1142 985 0	SHORT BLOCK		1	
1)	Equipment	TF_231_0001	With 10 hp CPM		



100 CRANKCASE

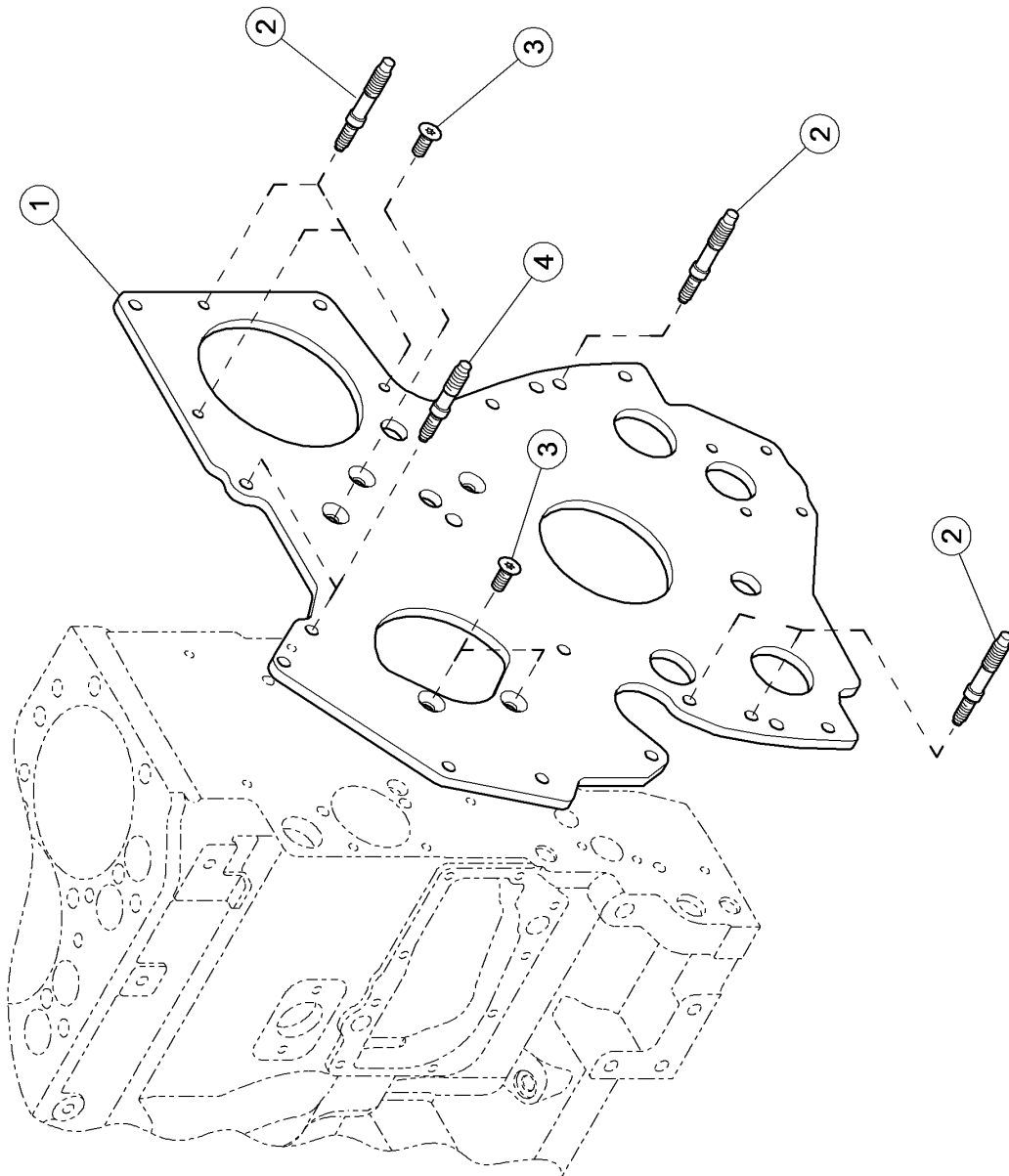
Pos.	Part No.	Description	Dimension	Quantity	Conditions
1	60 0502 143 6	SPRAY NOZZLE		4	
2	60 0501 317 4	CENTRING PIN		4	
3	60 0502 143 9	BLANKING COVER		1	
4	60 0501 294 1	BEARING		1	
5	60 0501 319 8	BLANKING COVER		2	
6	60 0501 319 6	CENTRING PIN		2	
7	60 0502 593 1	RING		6	
8	60 0502 869 1	VALVE		1	
9	60 0502 143 7	WASHER	13X22X2,5	10	
10	00 1146 931 0	SET OF SCREWS		10	
11	60 0501 402 9	VALVE		1	
12	60 0501 320 3	O-RING		1	
13	60 0501 597 1	LOCK		1	
14	60 0502 905 2	PLUG		1	
15	60 0501 938 3	O-RING		1	
16	00 1166 444 0	ELBOW CONNECTOR		1	
17	60 0502 665 3	PLUG		1	
18	60 0501 321 0	PLUG		1	
19	00 1141 206 0	PLUG		5	



☞ ...01.35.180

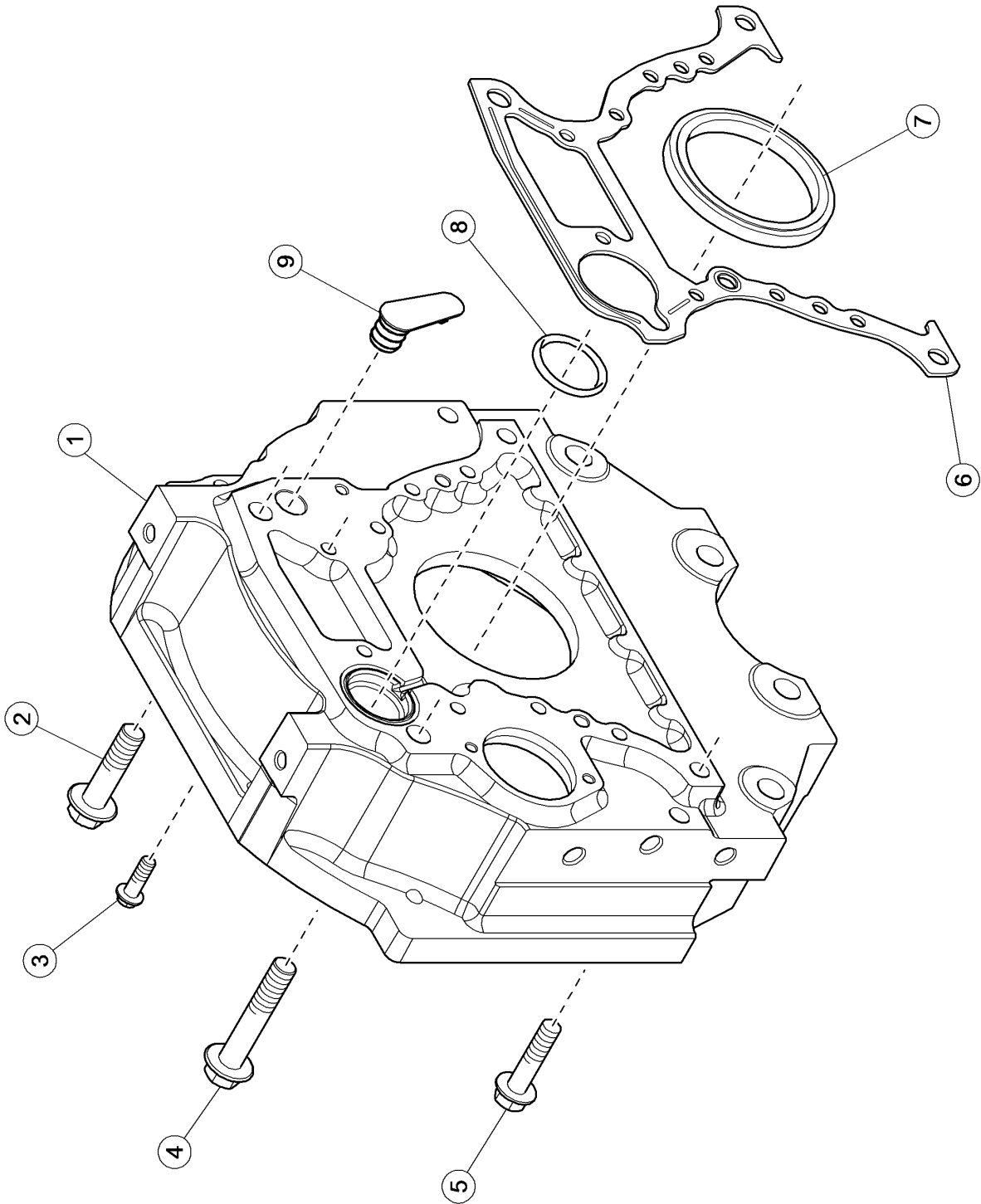
120 TIMING CASE

Pos.	Part No.	Description	Dimension	Quantity	Conditions
1	00 1162 414 0	CASING		1	
2	60 0502 869 1	VALVE		1	
3	00 1162 416 0	FLAT SEAL		1	
4	60 0502 145 6	SCREW	M8X25	1	
5	00 1132 471 0	SUPPORT		1	
6	00 1135 539 0	SCREW	M10X45	4	
7	60 0502 593 6	SCREW	M8X50	5	
8	60 0502 144 9	NUT		9	
9	60 0502 160 3	LOCK	M22X1,5	1	
10	60 0502 145 0	SCREW	M08X60	3	
11	00 1169 885 0	GASKET		1	
12	60 0500 796 4	O-RING	37,69 X 3,53 NBR 80	1	



120 TIMING CASE

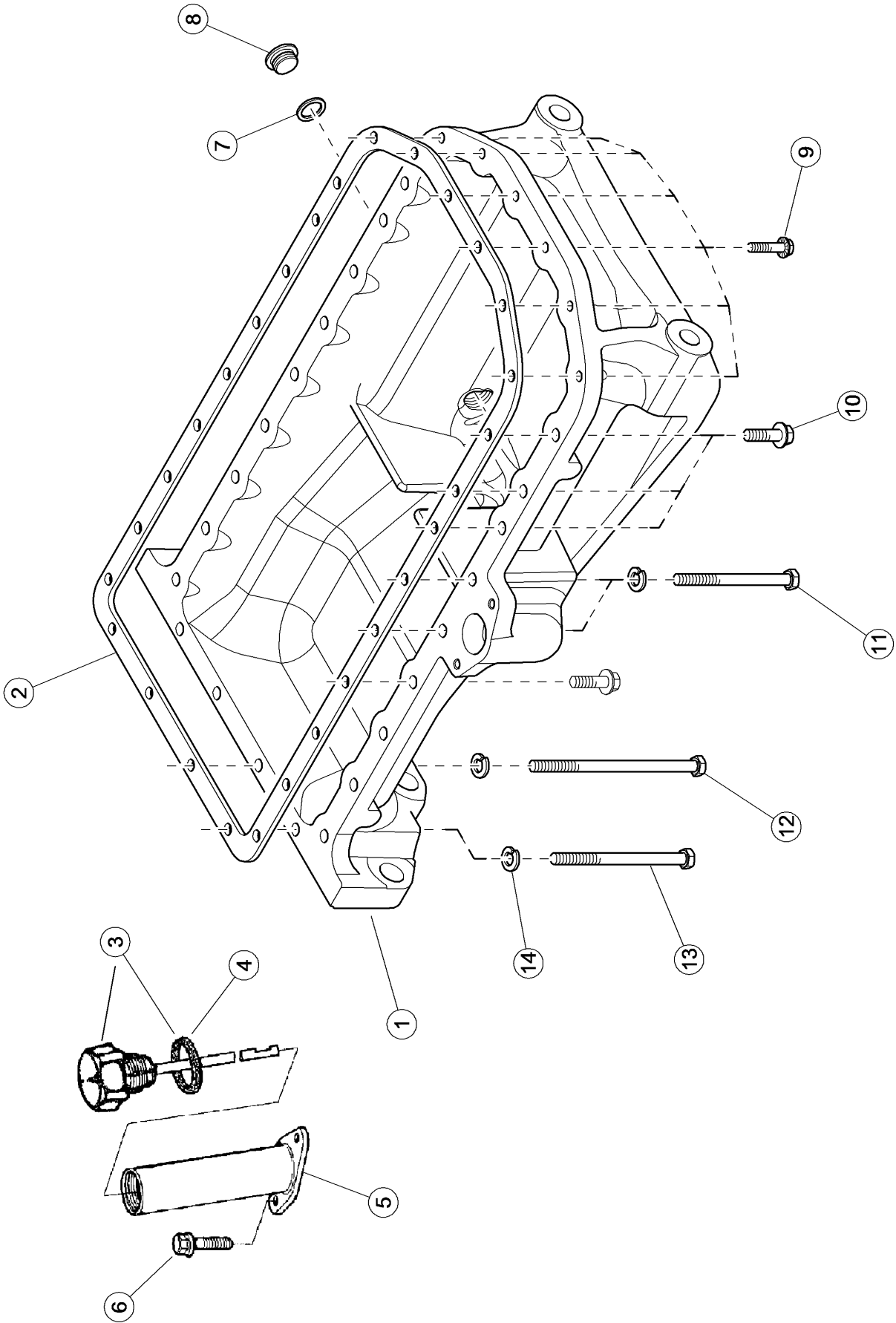
Pos.	Part No.	Description	Dimension	Quantity	Conditions
1	00 1160 233 0	PLATE		1	
2	00 1132 473 0	STUD BOLT		7	
3	60 0502 339 7	SCREW		5	
4	60 0502 339 8	STUD BOLT		2	



140 FLYWHEEL HOUSING

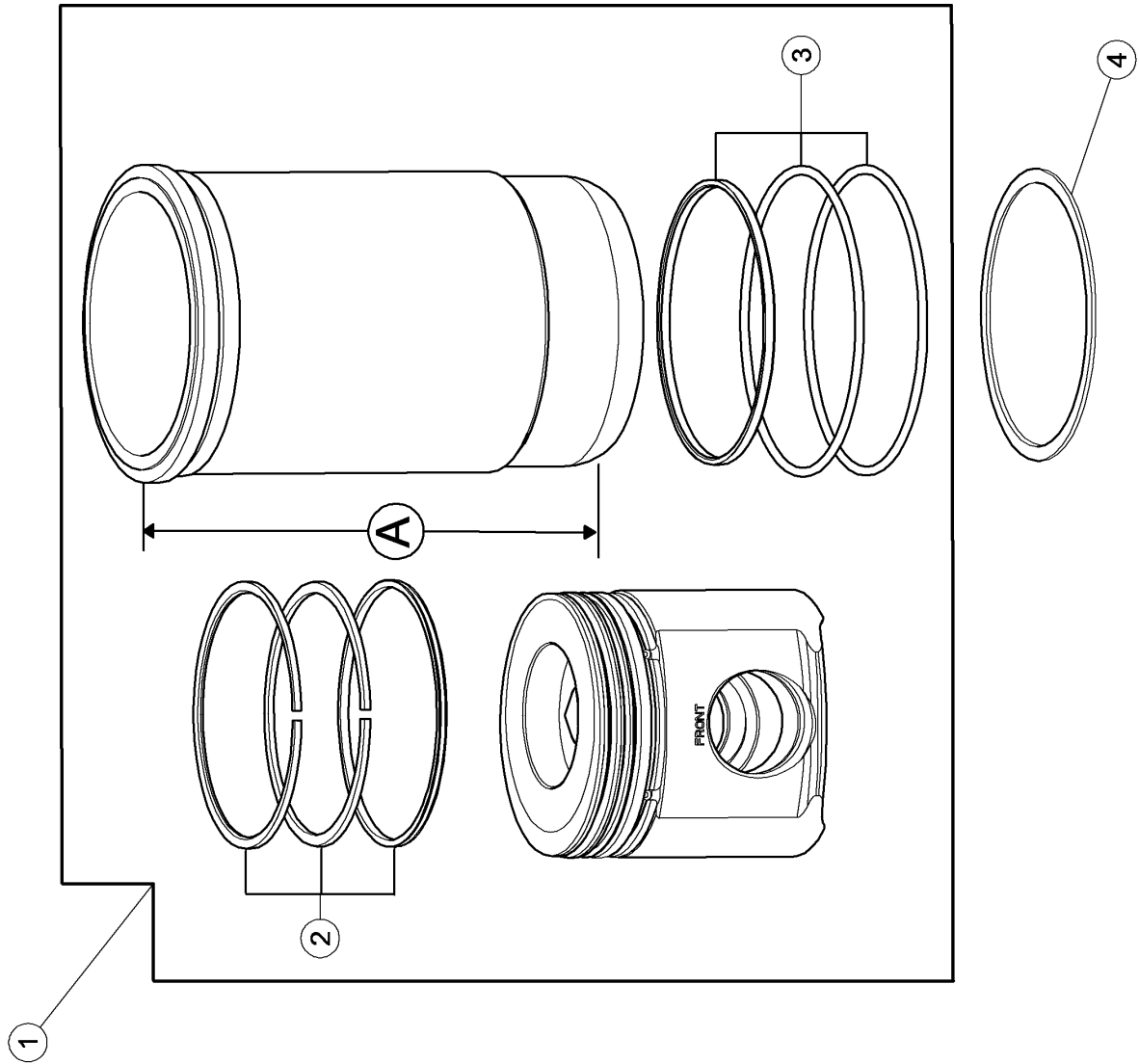
Pos.	Part No.	Description	Dimension	Quantity	Conditions
1	77 0006 967 3	CASING		1	
2	60 0502 146 5	SCREW		1	1)
3	60 0502 625 8	SCREW	12 X 1,75 -37 - M12X40	8	2)
4	60 0502 146 6	SCREW		1	3)
5	60 0502 777 3	SCREW	M16X60	2	
6	77 0005 577 1	GASKET		1	
7	60 0501 279 0	SHAFT SEAL	118X146X15	1	4)
8	60 0501 604 9	O-RING		1	
9	60 0501 278 6	BLANKING COVER		1	

1)	Remarks	M20X250-80
2)	Remarks	M12X175-38
3)	Remarks	M20X250-110
4)	Remarks	118X146X15



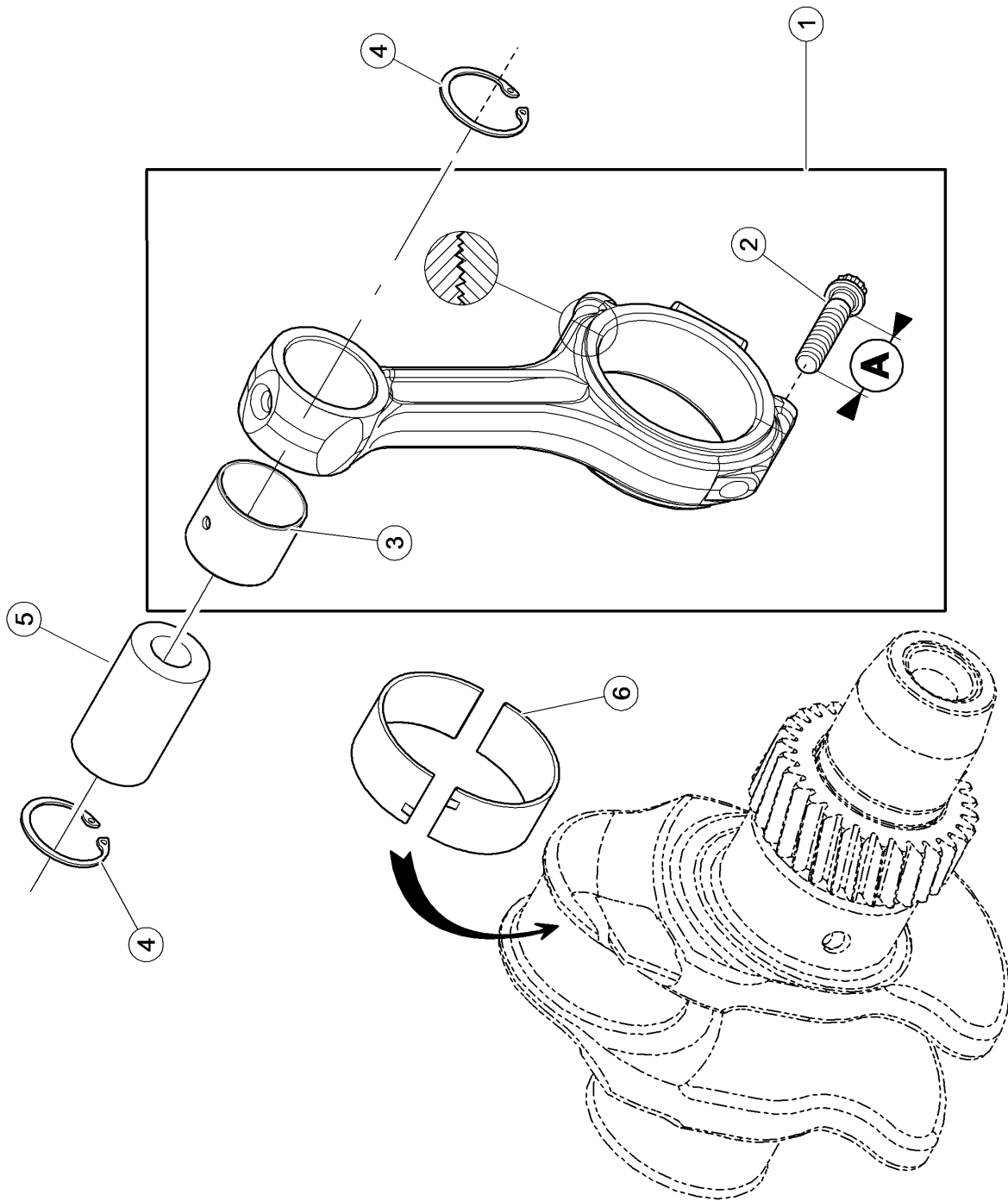
160 OIL PAN

Pos.	Part No.	Description	Dimension	Quantity	Conditions
1	60 0502 665 7	OIL SUMP		1	
2	60 0502 625 1	GASKET		1	
3	60 0501 361 0	GAUGE		1	
4	60 0501 334 6	O-RING		1	
5	60 0502 942 0	TUBE		1	
6	60 0502 145 6	SCREW	M8X25	2	
7	60 0501 211 0	GASKET		1	
8	00 1132 240 0	PLUG		1	
9	77 0101 759 2	SCREW	M08X35 VERBUS RIPP	6	
10	60 0502 165 4	SCREW	M10X35	16	
11	60 0502 147 1	SCREW		2	
12	77 0102 451 6	SCREW		2	
13	77 0310 108 5	HEXAGON HEAD BOLT	M10X140-32	2	
14	77 0305 501 3	WASHER	10	6	



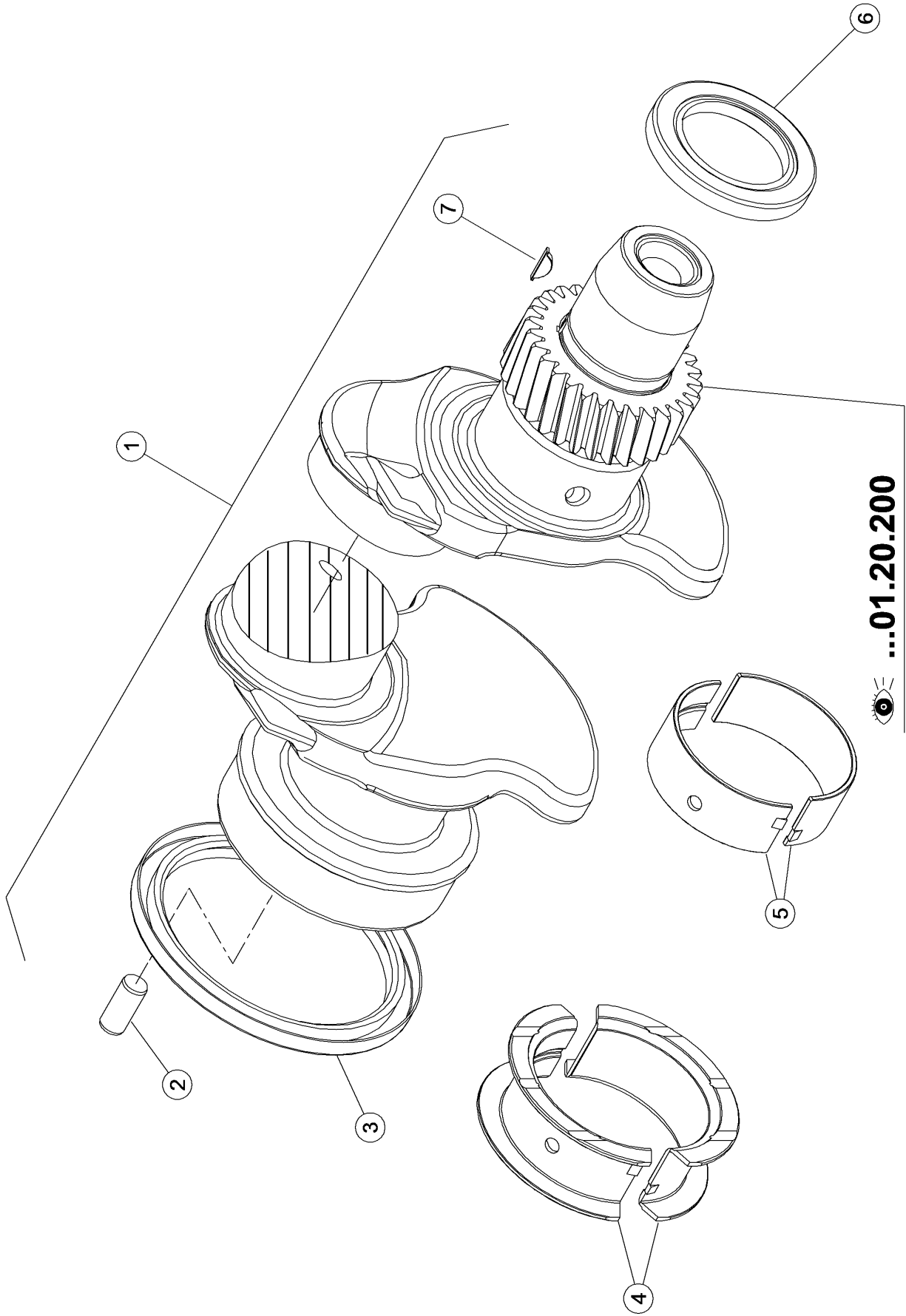
100 CYLINDER LINER, PISTON

Pos.	Part No.	Description	Dimension	Quantity	Conditions
1	00 1167 320 0	PISTON-LINER		4	
2	60 0502 869 5	SET OF PISTON RINGS		4	
3	60 0501 280 9	SEALING RING SET		4	
4	60 0501 281 5	ADJUSTING DISC		4	1)
4	60 0501 281 6	ADJUSTING DISC		4	2)
1)	Remarks		[SR] EP 0.05MM		
2)	Remarks		[SR] EP 0.10MM		



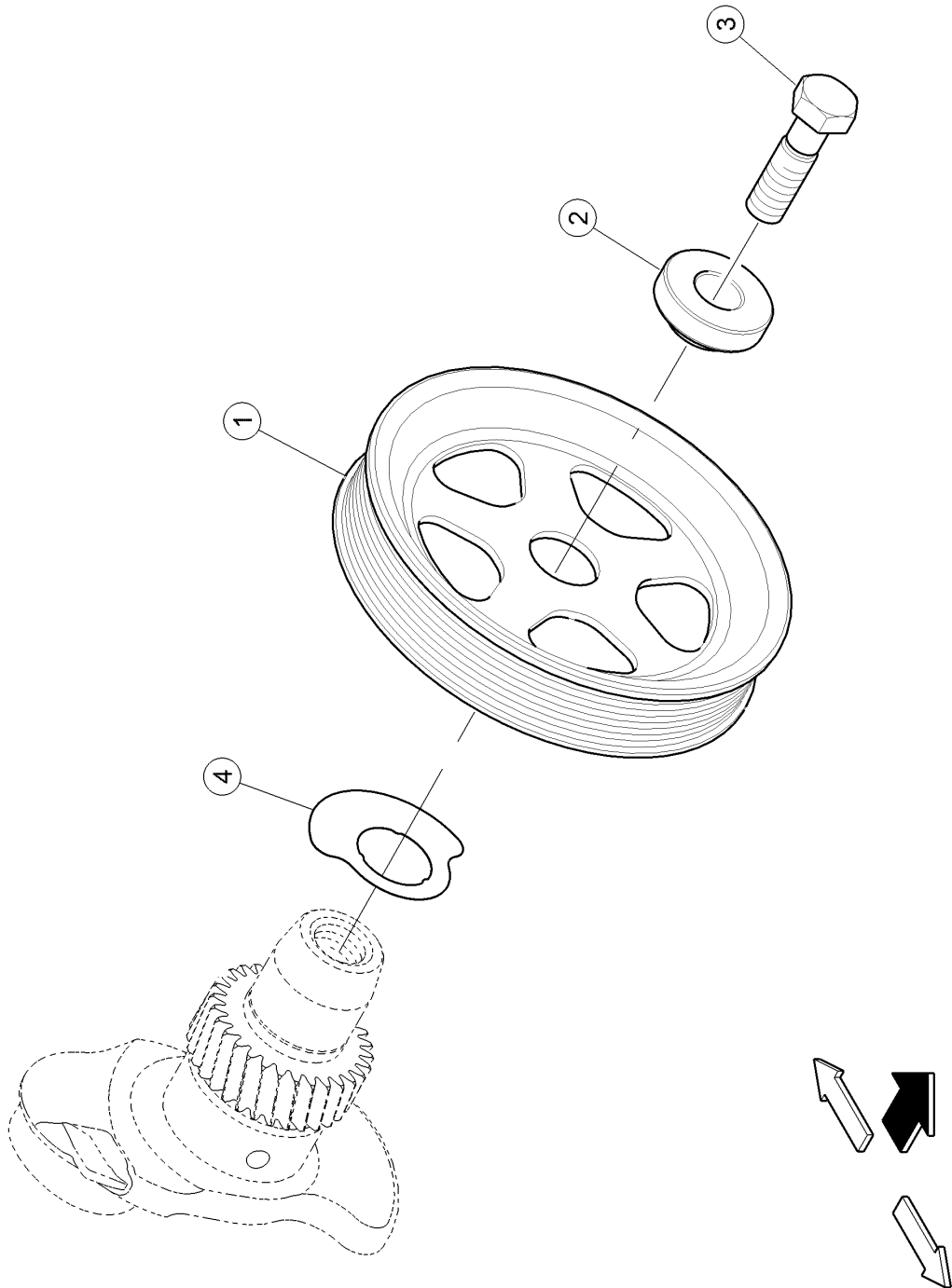
120 CONNECTING ROD, CONNECTING ROD BEARINGS

Pos.	Part No.	Description	Dimension	Quantity	Conditions
1	60 0502 453 6	CONNECTING ROD		4	
2	60 0502 453 7	SCREW	12 PTS M12 X 1,25 - 61	8	
3	60 0502 147 6	RING		4	
4	60 0501 281 4	INNER CIRCLIP		8	
5	00 1132 482 0	AXLE		4	
6	60 0502 147 8	BEARING		4	
6	60 0502 147 9	BEARING		4	1)
1)	Remarks		-0.254MM		



140 CRANKSHAFT

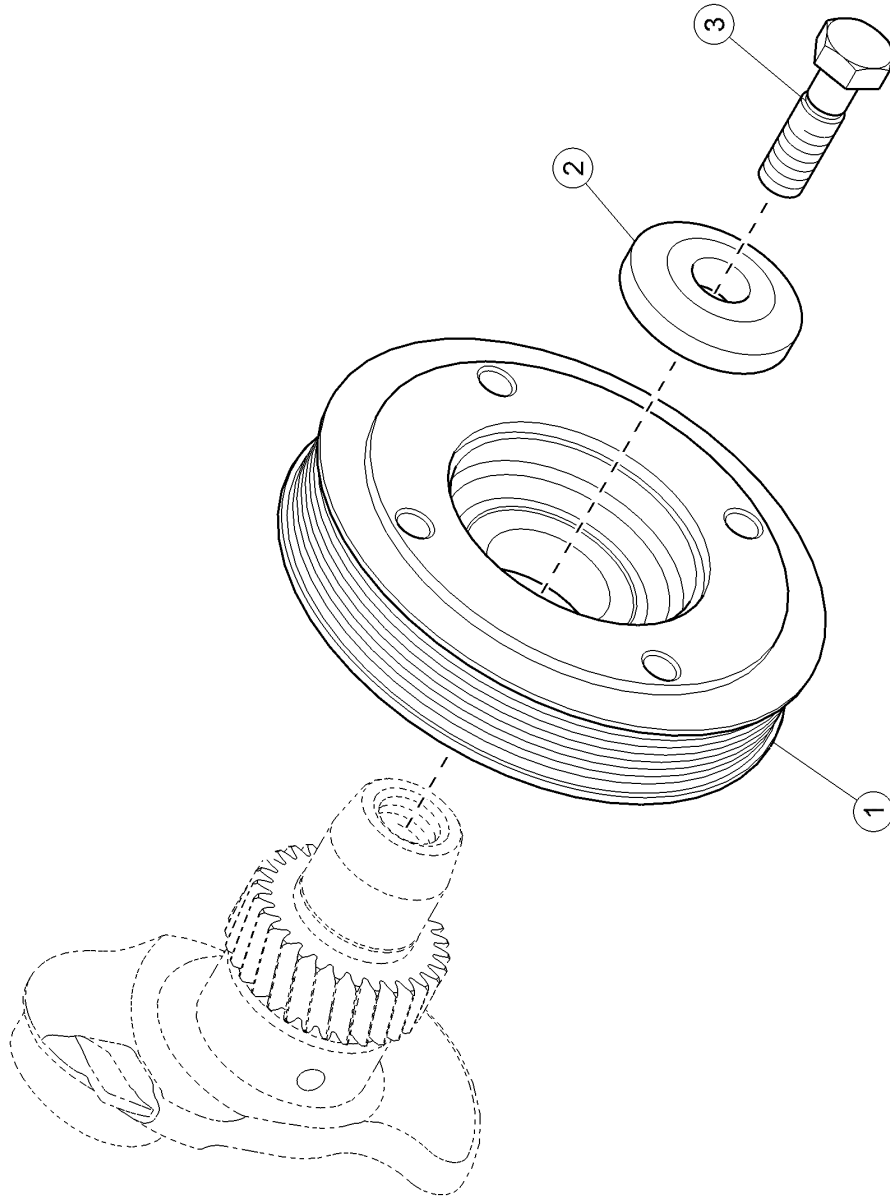
Pos.	Part No.	Description	Dimension	Quantity	Conditions
1	60 0503 090 7	CRANKSHAFT		1	
2	60 0501 317 4	CENTRING PIN		1	
3	60 0501 279 0	SHAFT SEAL	118X146X15	1	
4	60 0502 148 2	BEARING		1	1)
4	60 0502 148 1	BEARING		1	
5	60 0502 148 4	BEARING		4	1)
5	60 0502 148 3	BEARING		4	
6	00 1169 885 0	GASKET		1	
7	60 0502 869 7	KEY		1	
1)	Remarks				-0.254MM



160 CRANKSHAFT PULLEY WHEEL 1)

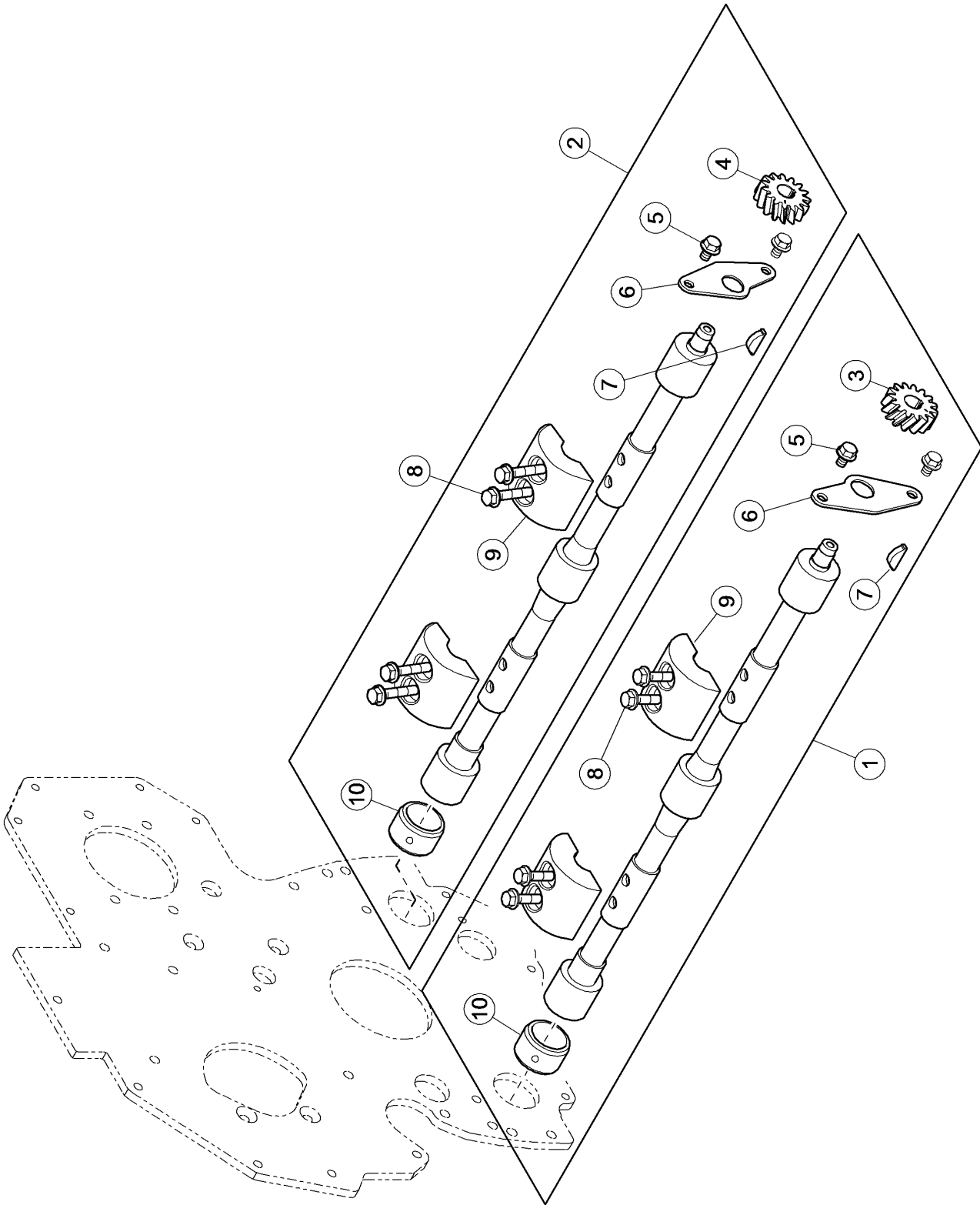
Pos.	Part No.	Description	Dimension	Quantity	Conditions
1	60 0503 052 4	CRANKSHAFT PULLEY		1	
2	60 0503 052 5	WASHER		1	
3	60 0502 866 8	SCREW	M20X70	1	
4	00 1171 430 0	FRICTION WASHER		1	

1) Equipment	TF_007_0010	Without front PTO
---------------------	-------------	-------------------



160 CRANKSHAFT PULLEY WHEEL 1)

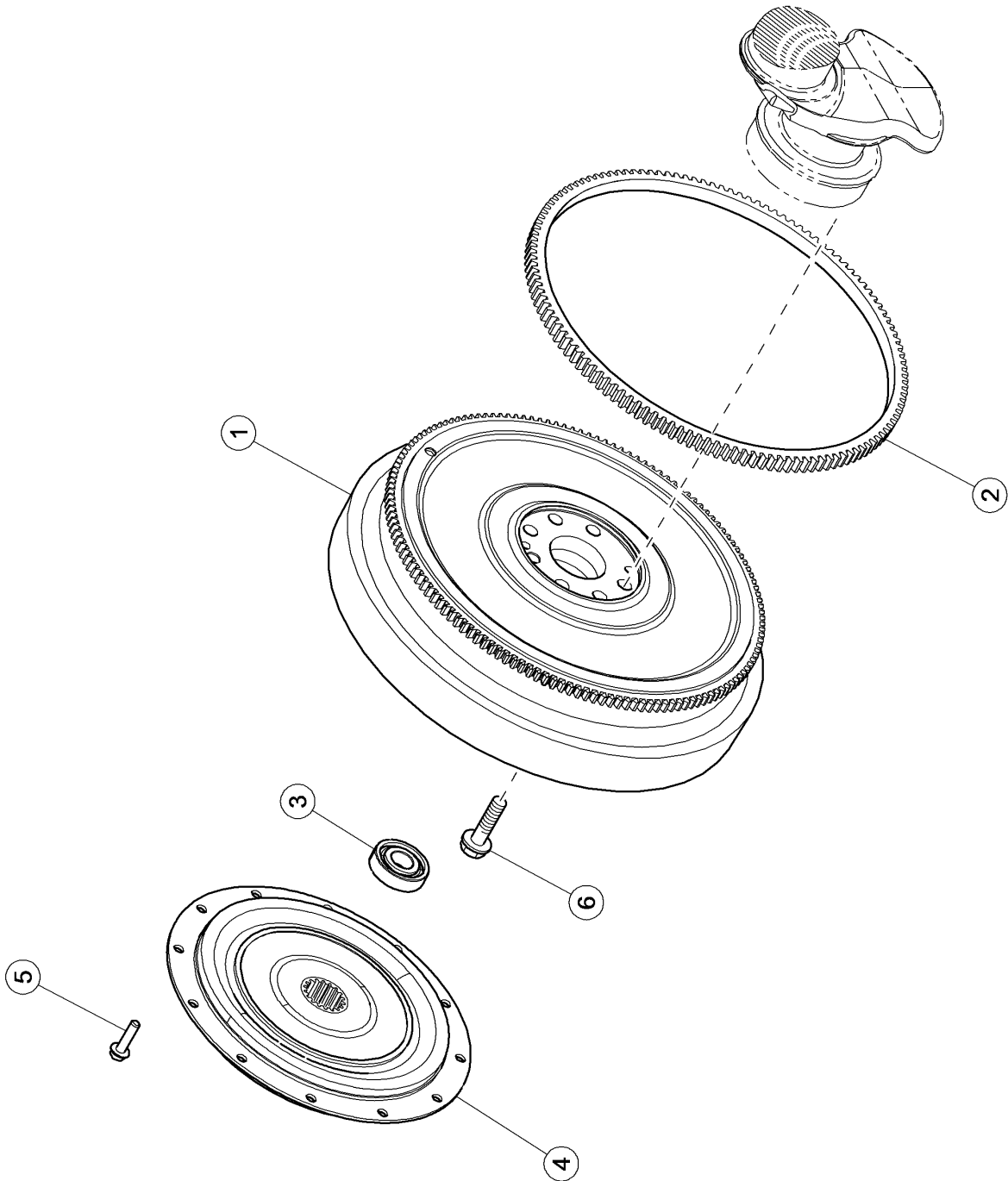
Pos.	Part No.	Description	Dimension	Quantity	Conditions
1	00 1172 566 0	CRANKSHAFT PULLEY		1	
2	60 0503 091 1	WASHER		1	
3	60 0502 866 8	SCREW	M20X70	1	
1)	Equipment	TF_007_0001	Front PTO with clockwise rotation		



200 MASS BALANCING

Pos.	Part No.	Description	Dimension	Quantity	Conditions
1	60 0502 594 0	SHAFT		1	1)
2	60 0502 594 1	SHAFT		1	2)
3	60 0502 594 2	WHEEL		1	3)
4	60 0502 594 3	WHEEL		1	4)
5	60 0502 594 5	SCREW		4	
6	FA-NFP	NFP - CS		2	
7	60 0502 148 6	KEY		2	
8	60 0502 144 5	SCREW	M8X45	8	
9	60 0502 594 6	FLYWEIGHT		4	
10	60 0502 593 1	RING		6	

1) Remarks	D.
2) Remarks	LEFT
3) Remarks	D. 15dts
4) Remarks	G. 15dts



220 FLYWHEEL

Pos.	Part No.	Description	Dimension	Quantity	Conditions
1	77 0007 132 9	FLYWHEEL		1	
2	77 0004 728 5	TOOTHED RIM		1	
3	00 0238 373 0	GRVD.BALL BEARING	6305-2RS*	1	
4	00 1111 394 0	HUB		1	
5	77 0005 997 8	HEXAGON HEAD BOLT	M10X40	8	
6	60 0502 625 8	SCREW	12 X 1,75 -37 - M12X40	6	



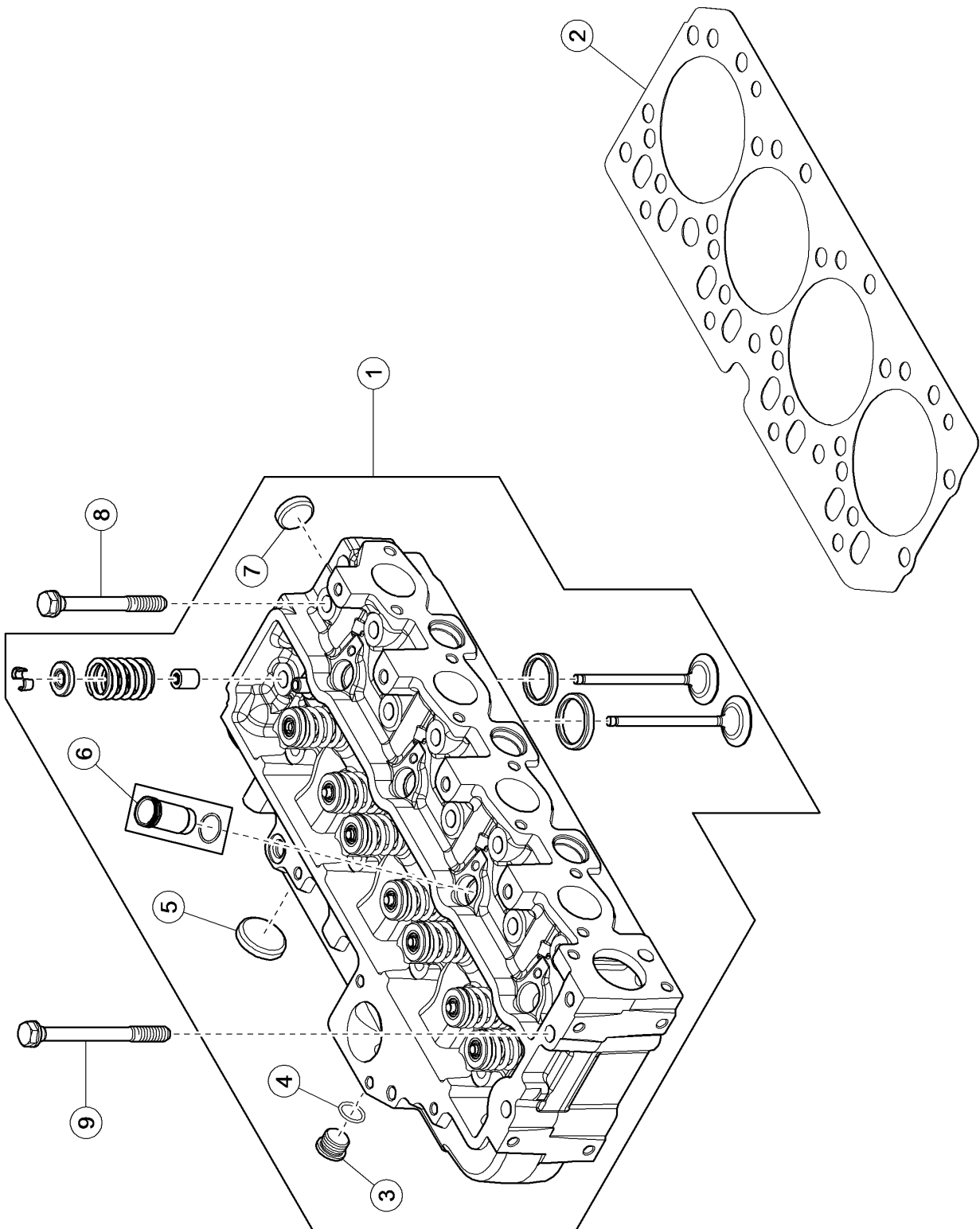
Suggest:

For more complete manuals. Please go to the home page.

<https://www.ebooklibonline.com>

If the above button click is invalid. Please download this document first, and then click the above link to download the complete manual.

Thank you so much for reading



100 CYLINDER HEAD

Pos.	Part No.	Description	Dimension	Quantity	Conditions
1	00 1138 753 0	CYLINDER HEAD		1	
2	60 0502 594 9	CYLINDER HEAD GASKET		1	
3	60 0501 591 9	PLUG		1	
4	00 1135 548 0	O-RING		1	
5	60 0502 149 2	PLUG		3	
6	00 1135 549 0	SLEEVE		4	
7	60 0501 288 3	LOCK		1	
8	60 0501 288 6	SCREW		16	
9	00 1145 541 0	SCREW	1/2-13UNC-2AX5 1/3	2	

<https://www.ebooklibonline.com>

Hello dear friend!

Thank you very much for reading.

Enter the link into your browser.

The full manual is available for immediate download.

<https://www.ebooklibonline.com>