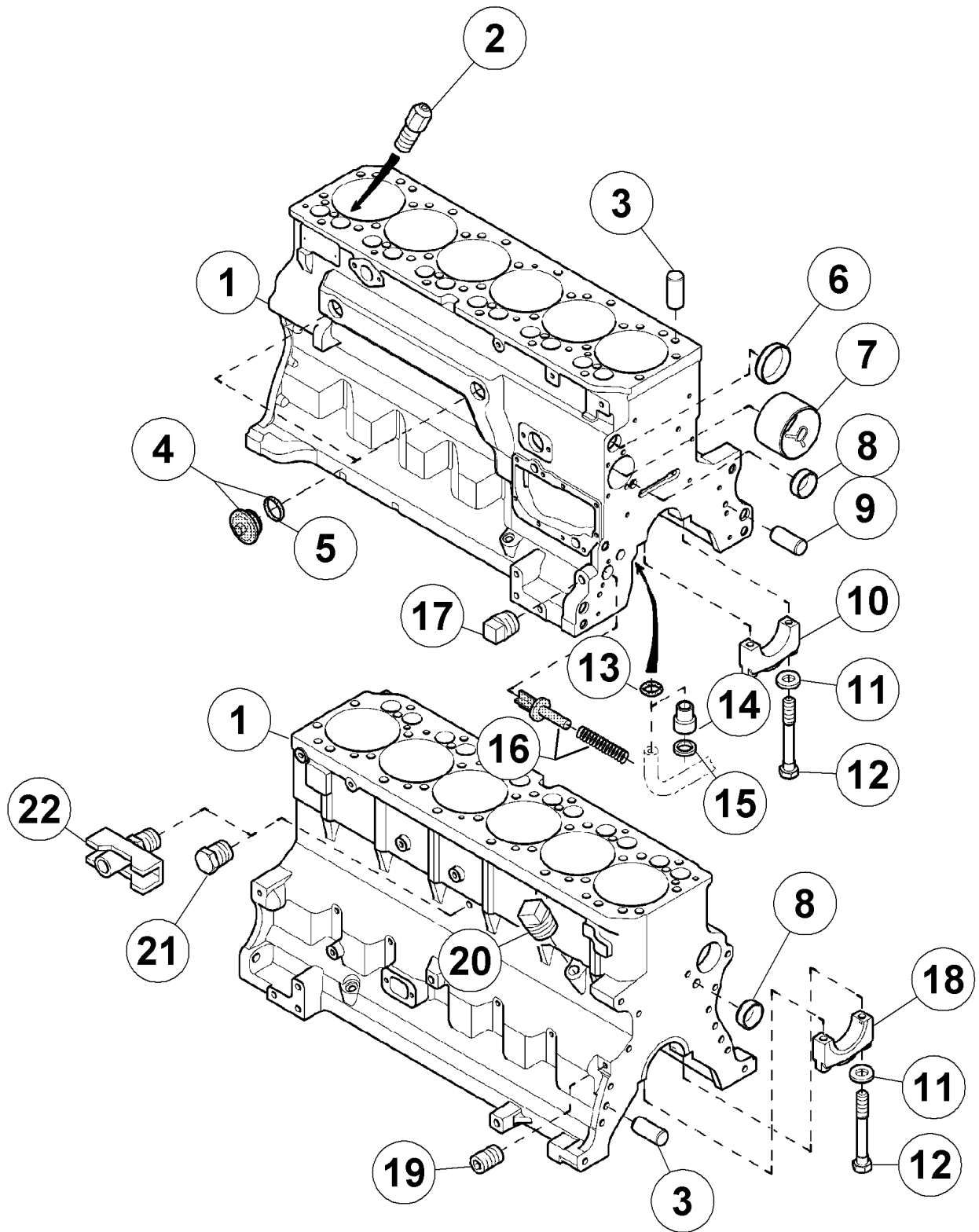


**010 COMPLETE ENGINE**

<b>Pos.</b>	<b>Part No.</b>	<b>Description</b>	<b>Dimension</b>	<b>Quantity</b>	<b>Conditions</b>
1	<b>00 1110 062 0</b>	ENGINE		1	1)
1	<b>00 1110 063 0</b>	ENGINE		1	2)
1	<b>77 0006 860 0</b>	ENGINE	DPS ET 77G TIER 2 185 1 CH	1	3)
1	<b>77 0006 971 1</b>	ENGINE		1	4)
<b>1)</b>	<b>Homologationtype</b>			+ 4412	
<b>2)</b>	<b>Homologationtype</b>			+ 4422	
<b>3)</b>	<b>Homologationtype</b>			+ 4432	
<b>4)</b>	<b>Homologationtype</b>			+ 4322	



**<https://www.ebooklibonline.com>**

Hello dear friend!

Thank you very much for reading.

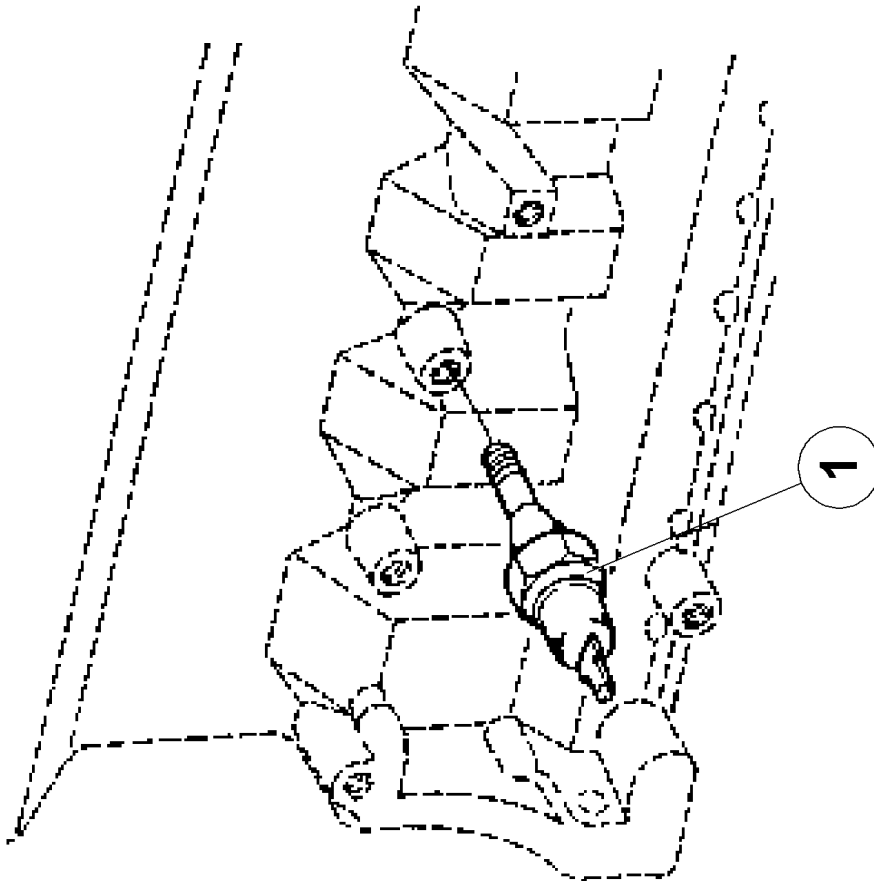
Enter the link into your browser.

The full manual is available for immediate download.

**<https://www.ebooklibonline.com>**

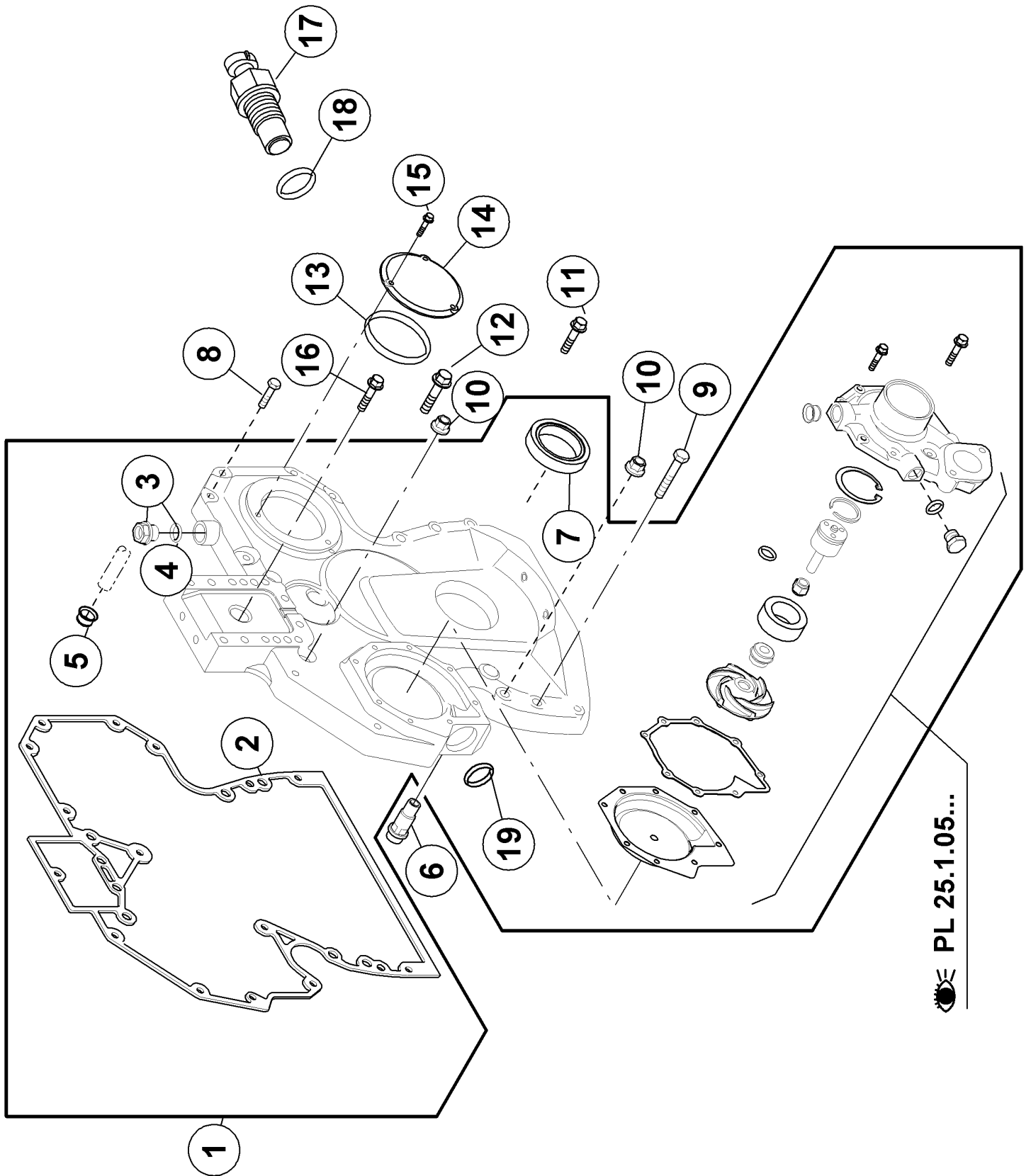
**100 CRANKCASE**

Pos.	Part No.	Description	Dimension	Quantity	Conditions
1	<b>FA-CONSIGN ES</b>	Consignes - CS		1	
-		<i>Please order!</i> <i>60 0503 025 9 SHORT BLOCK</i>		1,000	
2	<b>60 0502 143 6</b>	SPRAY NOZZLE		6	
3	<b>60 0501 317 4</b>	CENTRING PIN		4	
4	<b>60 0502 905 2</b>	PLUG		1	
5	<b>60 0502 339 4</b>	O-RING		1	
6	<b>60 0502 143 9</b>	BLANKING COVER		1	
7	<b>60 0501 294 1</b>	BEARING		1	
8	<b>60 0501 319 8</b>	BLANKING COVER		2	
9	<b>60 0501 319 6</b>	CENTRING PIN		2	
10	<b>60 0502 143 8</b>	COVER		6	
11	<b>60 0502 143 7</b>	WASHER	13X22X2,5	6	
12	<b>60 0501 320 6</b>	SCREW		14	
13	<b>60 0501 320 3</b>	O-RING		1	
14	<b>60 0501 597 2</b>	BUSHING		1	
15	<b>60 0501 334 1</b>	O-RING		1	
16	<b>60 0501 402 9</b>	VALVE		1	
17	<b>60 0501 320 2</b>	LOCK		1	
18	<b>60 0502 144 1</b>	COVER		1	
19	<b>60 0502 144 0</b>	LOCK		7	
20	<b>60 0501 321 0</b>	PLUG		1	
21	<b>60 0502 665 3</b>	PLUG		1	
22	<b>60 0501 320 7</b>	VALVE		1	



**100 CRANKCASE**

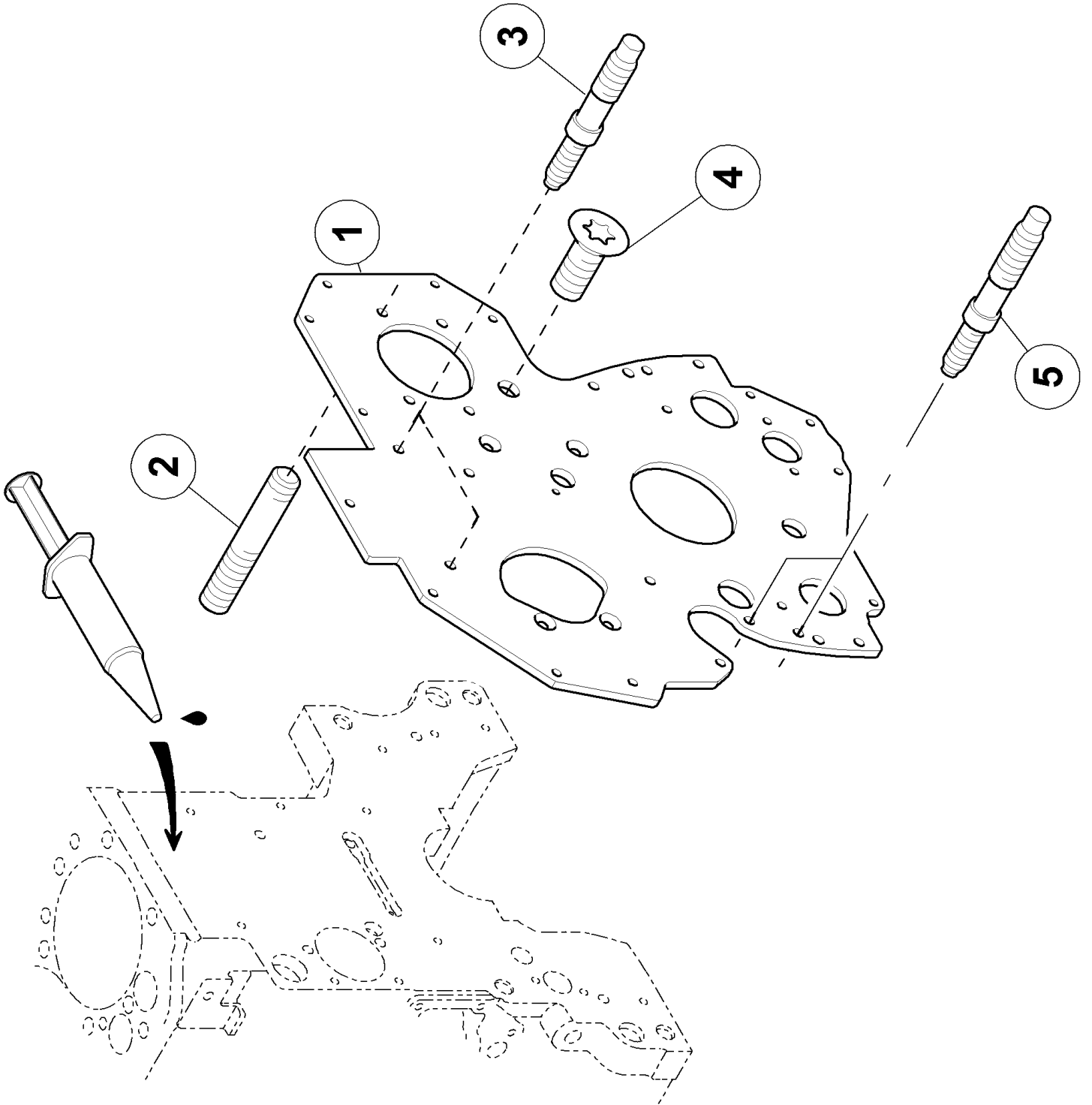
<b>Pos.</b>	<b>Part No.</b>	<b>Description</b>	<b>Dimension</b>	<b>Quantity</b>	<b>Conditions</b>
1	<b>60 0501 342 7</b>	TRANSMITTER		1	



PL 25.1.05...

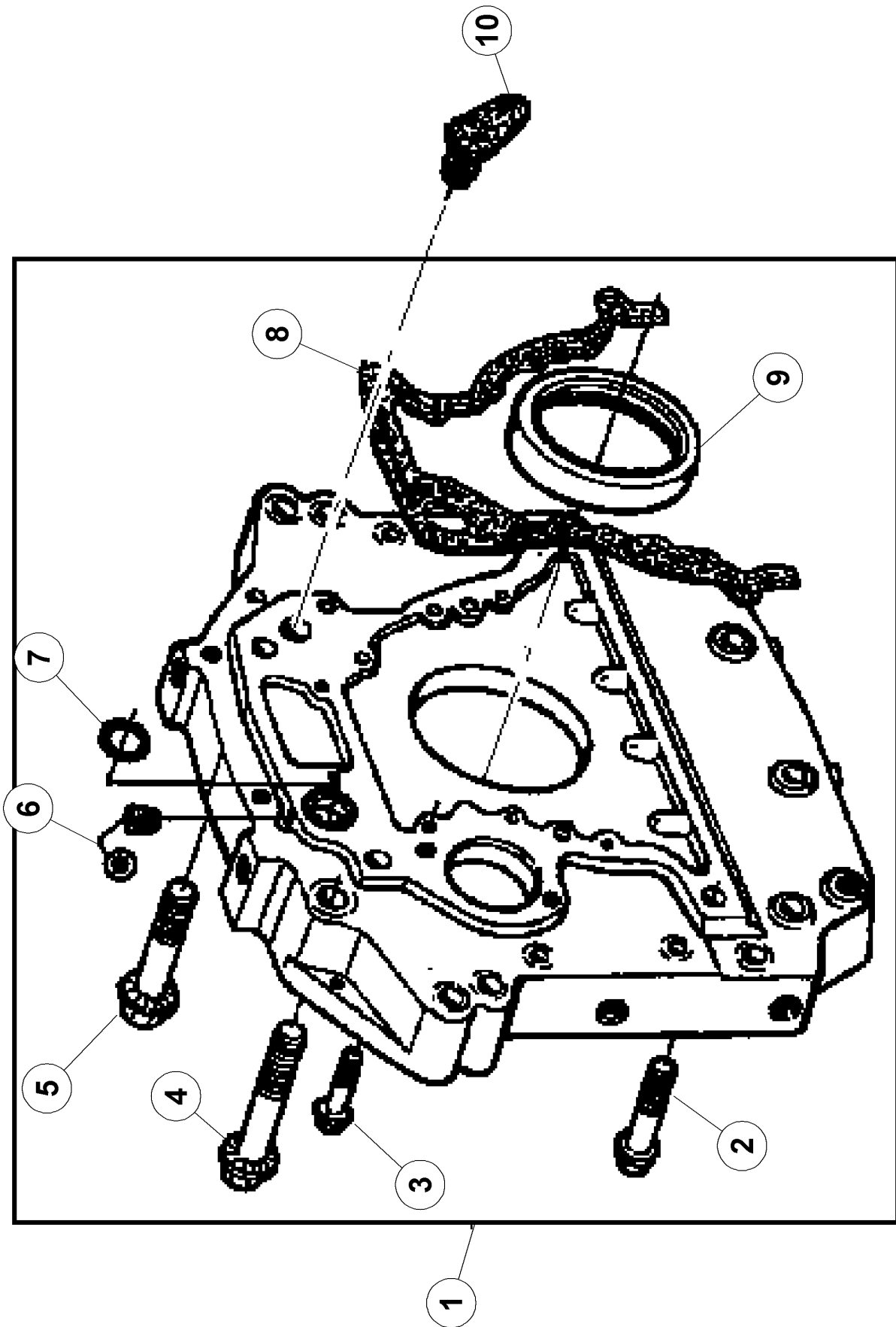
**120 TIMING CASE**

Pos.	Part No.	Description	Dimension	Quantity	Conditions
1	<b>60 0502 869 0</b>	HOUSING		1	
2	<b>60 0502 144 3</b>	GASKET		1	
3	<b>60 0502 895 5</b>	SCREW PLUG	F-M20X1,5	1	
4	<b>77 0002 464 6</b>	O-RING	17X2-N ERS.D. 0238209.0	1	
5	<b>60 0502 163 0</b>	SEALING RING		1	
6	<b>60 0502 869 1</b>	VALVE		1	
7	<b>60 0503 024 7</b>	SEALING RING		1	
8	<b>60 0502 144 5</b>	SCREW	M8X45	6	
9	<b>60 0502 145 8</b>	SCREW		2	
10	<b>60 0502 144 9</b>	NUT		6	
11	<b>60 0502 145 0</b>	SCREW	M08X60	1	
12	<b>60 0502 339 6</b>	SCREW		1	
13	<b>60 0502 144 6</b>	O-RING		1	
14	<b>60 0502 144 7</b>	COVER		1	
15	<b>60 0502 144 8</b>	SCREW	M6X16	3	
16	<b>60 0502 144 4</b>	SCREW	M8X35	1	
17	<b>77 0007 199 7</b>	SENSOR		1	1)
18	<b>77 0002 464 6</b>	O-RING	17X2-N ERS.D. 0238209.0	1	
<b>1)</b>	<b>Remarks</b>	vitesse mot.			



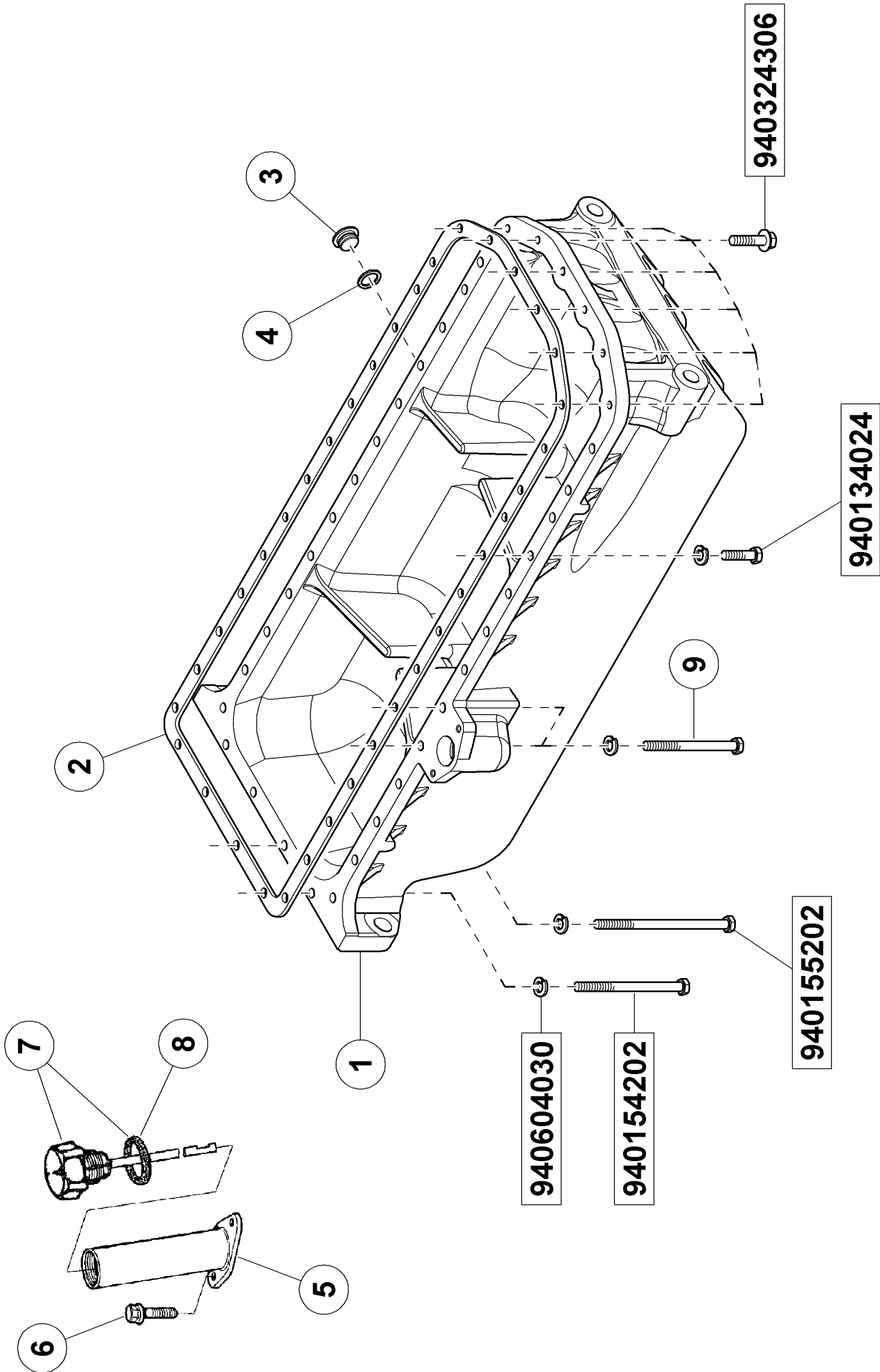
**120 TIMING CASE**

<b>Pos.</b>	<b>Part No.</b>	<b>Description</b>	<b>Dimension</b>	<b>Quantity</b>	<b>Conditions</b>
1	<b>60 0502 869 2</b>	PLATE		1	1)
1	<b>60 0502 145 2</b>	PLATE		1	2)
2	<b>60 0502 340 2</b>	STUD BOLT		4	1)
2	<b>60 0502 145 5</b>	STUD BOLT		3	2)
3	<b>60 0502 339 8</b>	STUD BOLT		2	
4	<b>60 0502 339 7</b>	SCREW		4	
5	<b>60 0502 145 7</b>	STUD BOLT		4	
<hr/>					
<b>1)</b>	<b>Homologationtype</b>			+ 4432	
<hr/>					
<b>2)</b>	<b>Homologationtype</b>			- 4432	
<hr/>					



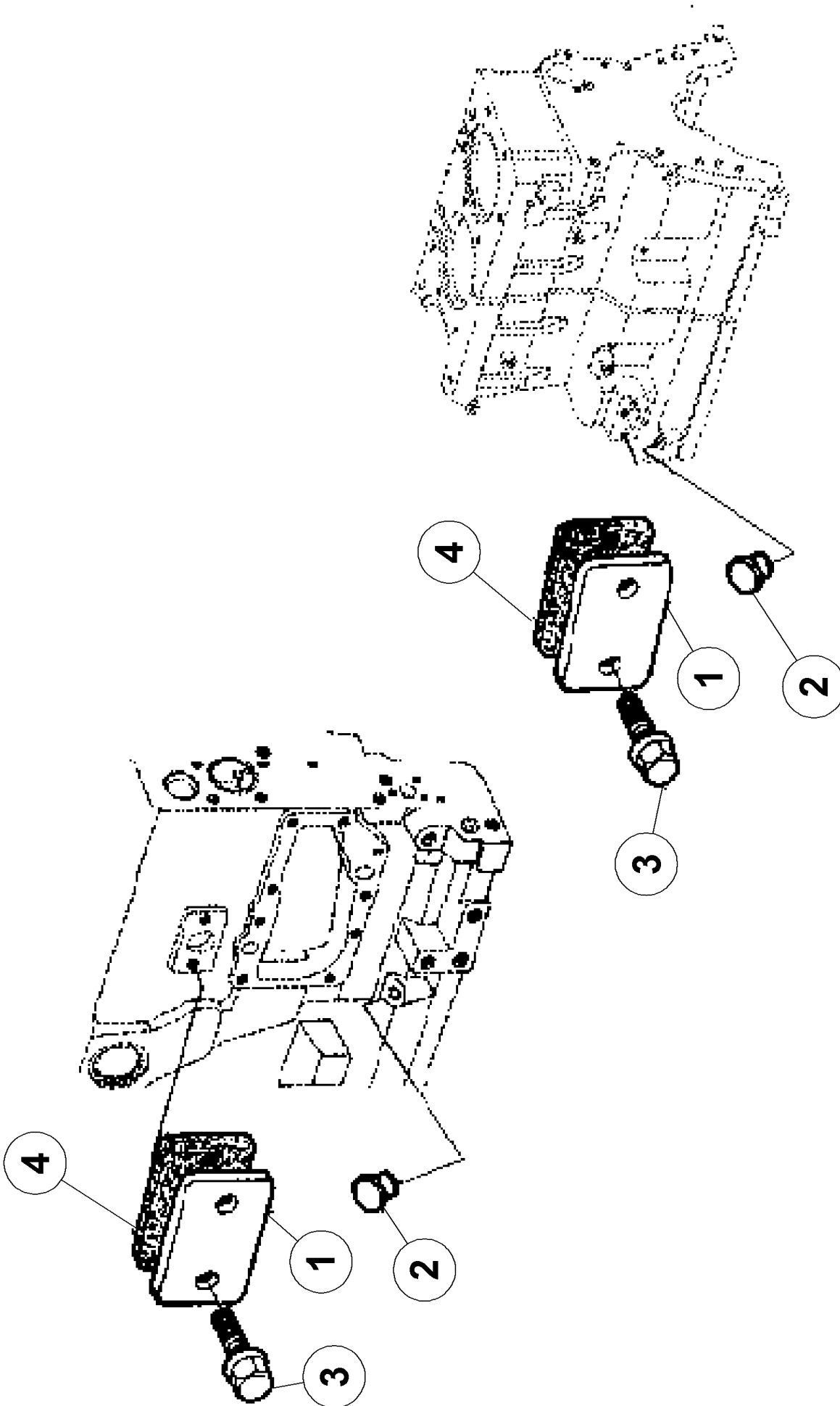
**140 FLYWHEEL HOUSING**

<b>Pos.</b>	<b>Part No.</b>	<b>Description</b>	<b>Dimension</b>	<b>Quantity</b>	<b>Conditions</b>
1	<b>60 0502 603 2</b>	HOUSING		1	
2	<b>60 0502 777 3</b>	SCREW	M16X60	2	
3	<b>60 0502 146 7</b>	SCREW	M12X40	8	
4	<b>60 0502 146 6</b>	SCREW		1	
5	<b>60 0502 146 5</b>	SCREW		1	
6	<b>60 0502 146 4</b>	LOCK		1	
7	<b>60 0501 604 9</b>	O-RING		1	
8	<b>77 0005 577 1</b>	GASKET		1	
9	<b>60 0501 279 0</b>	SHAFT SEAL	118X146X15	1	
10	<b>60 0501 278 6</b>	BLANKING COVER		1	



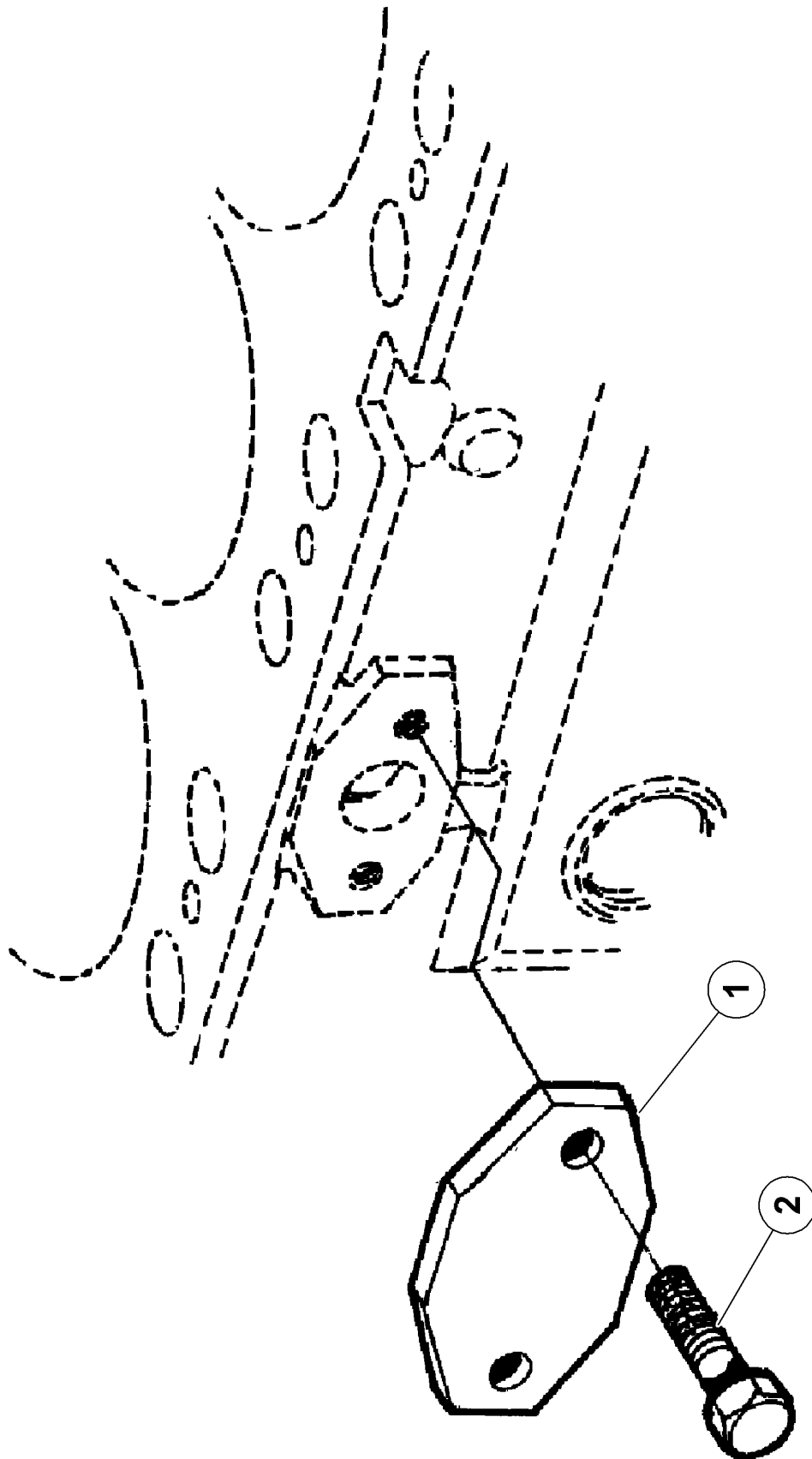
**160 OIL PAN**

<b>Pos.</b>	<b>Part No.</b>	<b>Description</b>	<b>Dimension</b>	<b>Quantity</b>	<b>Conditions</b>
1	<b>60 0502 146 9</b>	HOUSING		1	
2	<b>60 0502 666 6</b>	GASKET		1	
3	<b>60 0501 279 3</b>	LOCK		1	
4	<b>60 0501 211 0</b>	GASKET		1	
5	<b>60 0501 279 4</b>	TUBE		1	
6	<b>60 0502 145 6</b>	SCREW	M8X25	2	
7	<b>60 0502 147 0</b>	GAUGE		1	
8	<b>60 0501 334 6</b>	O-RING		1	
9	<b>60 0502 147 1</b>	SCREW		2	



**180 PLUGS**

<b>Pos.</b>	<b>Part No.</b>	<b>Description</b>	<b>Dimension</b>	<b>Quantity</b>	<b>Conditions</b>
1	<b>60 0502 470 2</b>	PLATE		2	
2	<b>60 0502 662 4</b>	PLUG		2	
3	<b>60 0502 154 7</b>	SCREW	M8X16	4	
4	<b>60 0502 470 4</b>	GASKET		2	



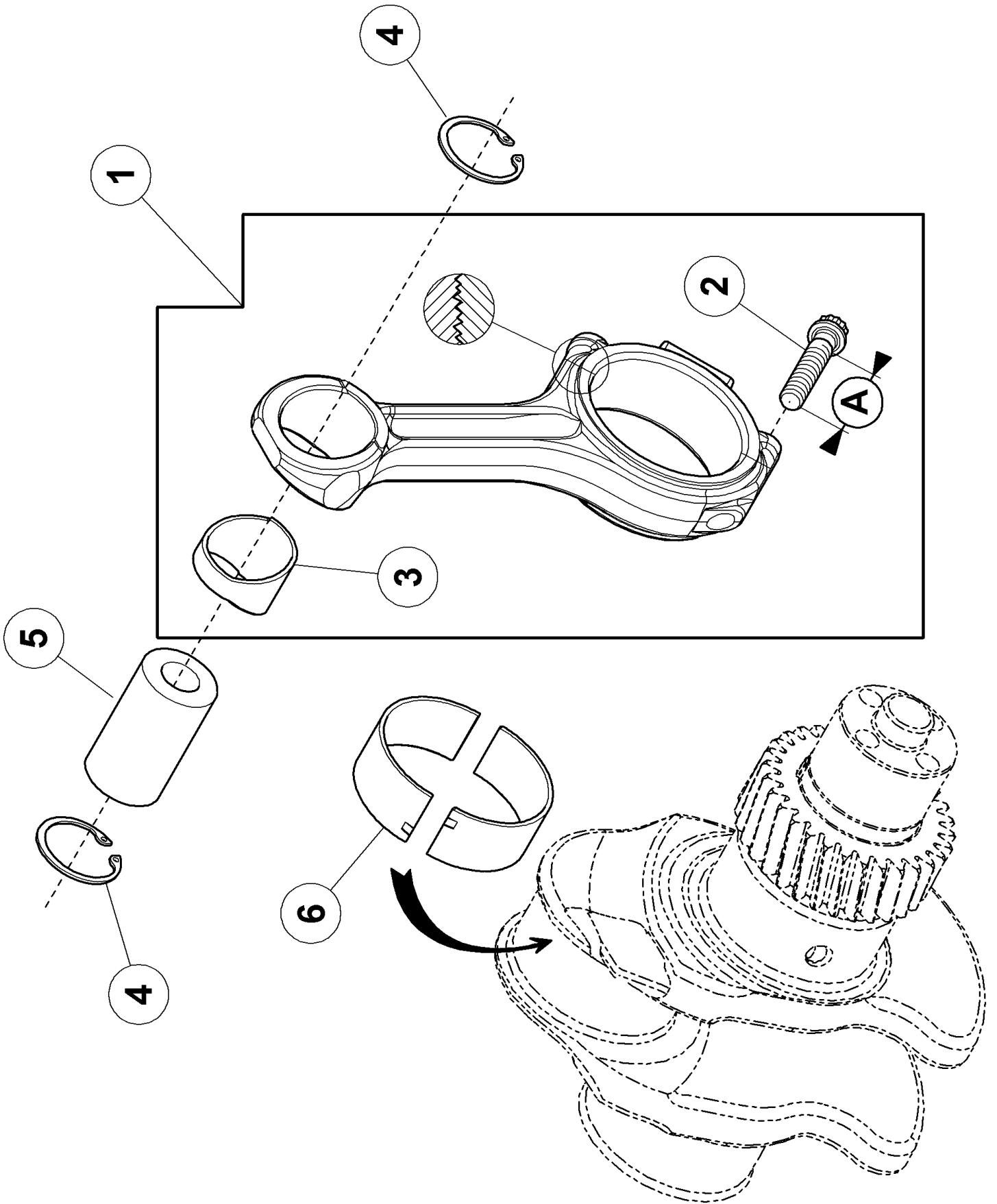
**180 PLUGS**

<b>Pos.</b>	<b>Part No.</b>	<b>Description</b>	<b>Dimension</b>	<b>Quantity</b>	<b>Conditions</b>
1	<b>60 0502 662 2</b>	PLATE		1	1)
2	<b>60 0502 662 3</b>	SCREW		2	1)
<b>1)</b>	<b>Homologationtype</b>				+ 4432



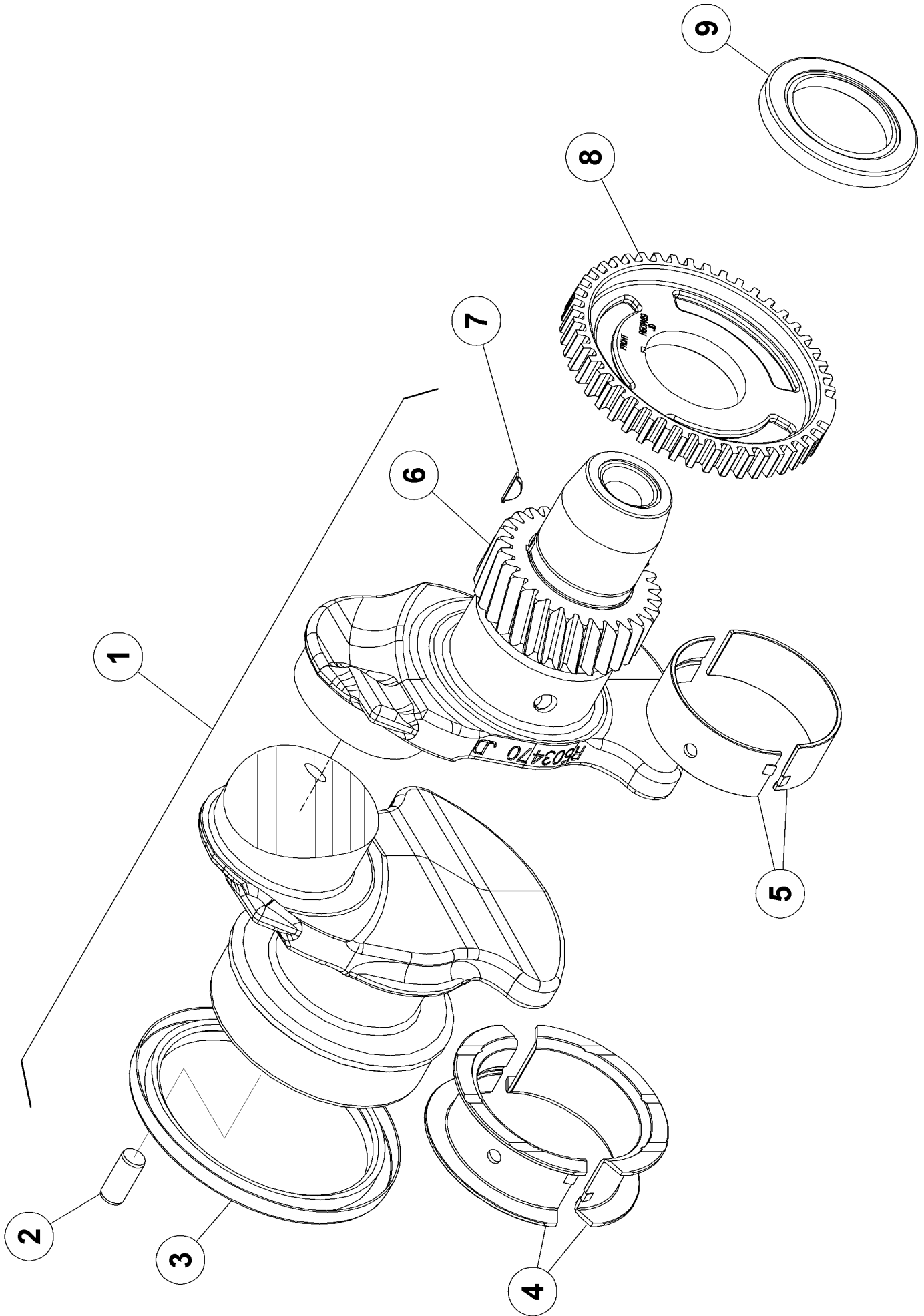
**100 CYLINDER LINER, PISTON**

<b>Pos.</b>	<b>Part No.</b>	<b>Description</b>	<b>Dimension</b>	<b>Quantity</b>	<b>Conditions</b>
1	<b>60 0502 869 4</b>	PISTON-LINER		6	
2	<b>60 0502 869 5</b>	SET OF PISTON RINGS		6	
3	<b>60 0501 280 9</b>	SEALING RING SET		6	
4	<b>60 0501 281 5</b>	ADJUSTING DISC		6	1)
4	<b>60 0501 281 6</b>	ADJUSTING DISC		6	2)
<b>1)</b>	<b>Remarks</b>		ép.0.05		
<b>2)</b>	<b>Remarks</b>		ép.0.10		



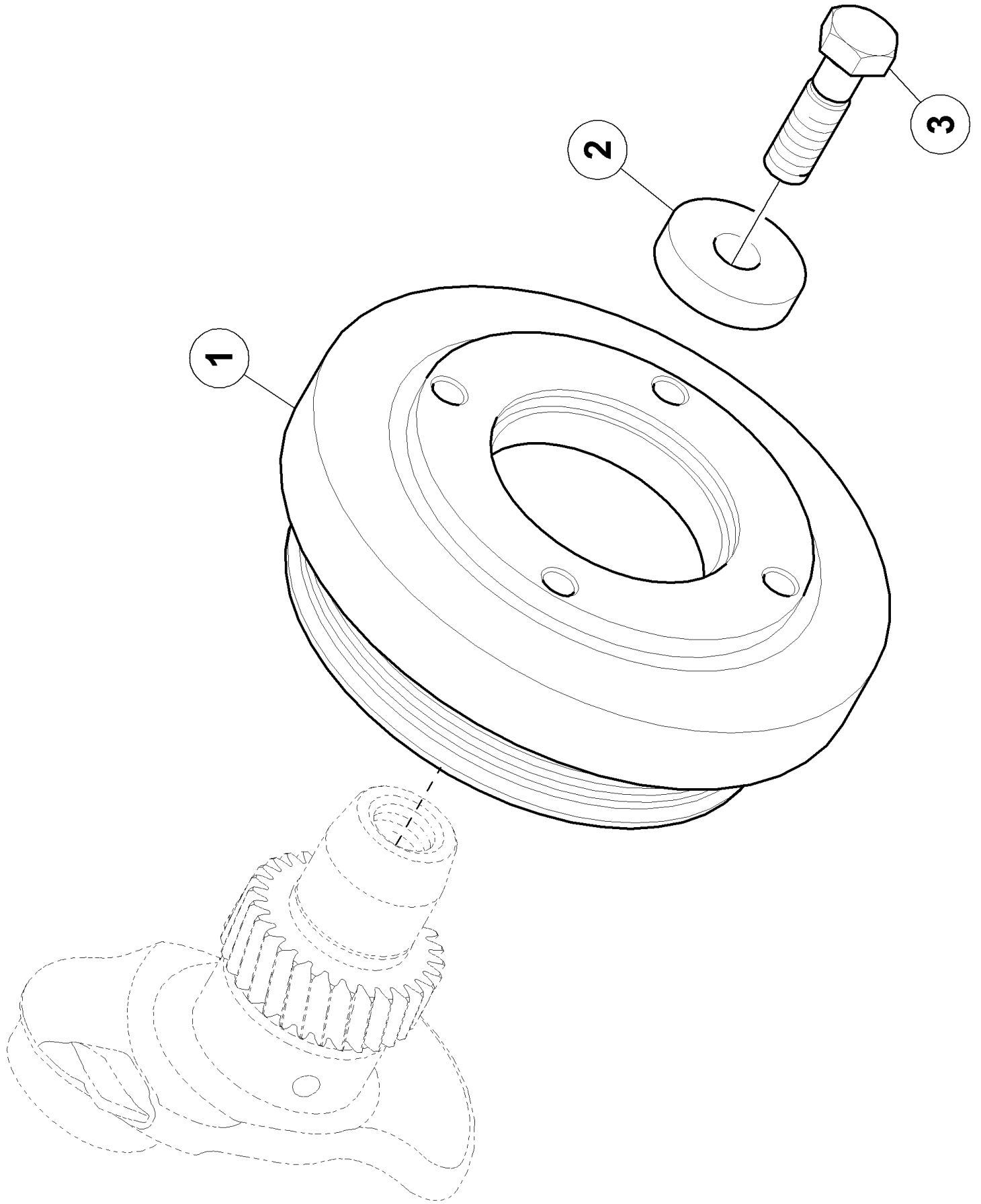
**120 CONNECTING ROD, CONNECTING ROD BEARINGS**

<b>Pos.</b>	<b>Part No.</b>	<b>Description</b>	<b>Dimension</b>	<b>Quantity</b>	<b>Conditions</b>
1	<b>60 0502 453 6</b>	CONNECTING ROD		6	
2	<b>60 0502 453 7</b>	SCREW	12 PTS M12 X 1,25 - 61	12	
3	<b>60 0502 147 6</b>	RING		6	
4	<b>60 0501 281 4</b>	INNER CIRCLIP		12	
5	<b>60 0502 147 7</b>	AXLE		6	
6	<b>60 0502 147 8</b>	BEARING		6	
6	<b>60 0502 147 9</b>	BEARING		6	1)
<b>1)</b>	<b>Remarks</b>		-0,254mm		



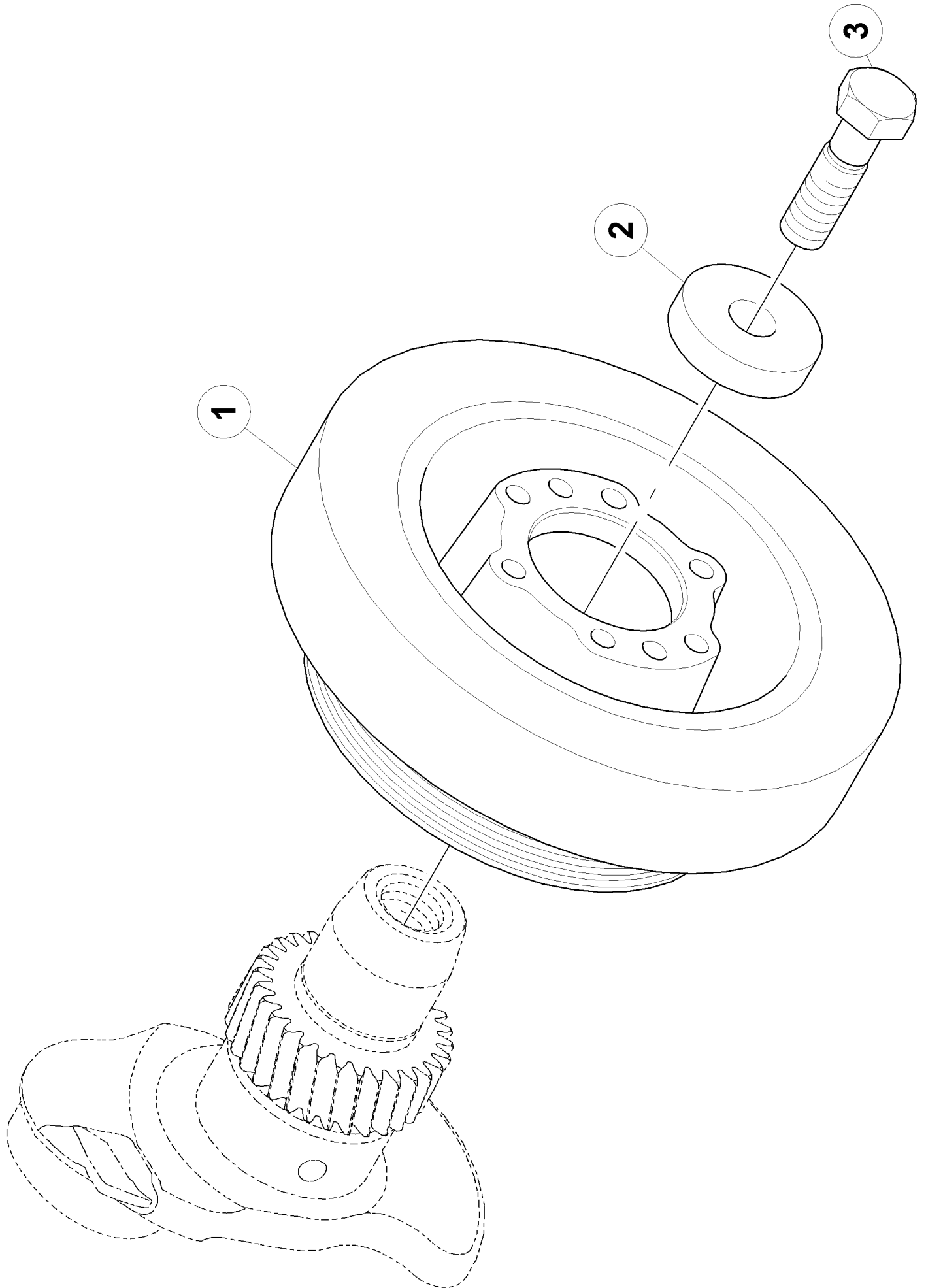
**140 CRANKSHAFT**

<b>Pos.</b>	<b>Part No.</b>	<b>Description</b>	<b>Dimension</b>	<b>Quantity</b>	<b>Conditions</b>
1	<b>60 0502 869 6</b>	CRANKSHAFT		1	
2	<b>60 0501 317 4</b>	CENTRING PIN		1	
3	<b>60 0501 279 0</b>	SHAFT SEAL	118X146X15	1	
4	<b>60 0502 148 1</b>	BEARING		1	
4	<b>60 0502 148 2</b>	BEARING		1	1)
5	<b>60 0502 148 3</b>	BEARING		6	
5	<b>60 0502 148 4</b>	BEARING		6	1)
6	<b>60 0502 148 5</b>	WHEEL		1	2)
7	<b>60 0502 869 7</b>	KEY		1	
8	<b>60 0502 869 8</b>	WHEEL		1	
9	<b>60 0503 024 7</b>	SEALING RING		1	
<b>1)</b>	<b>Remarks</b>		-0.254mm		
<b>2)</b>	<b>Remarks</b>		30 dts.		



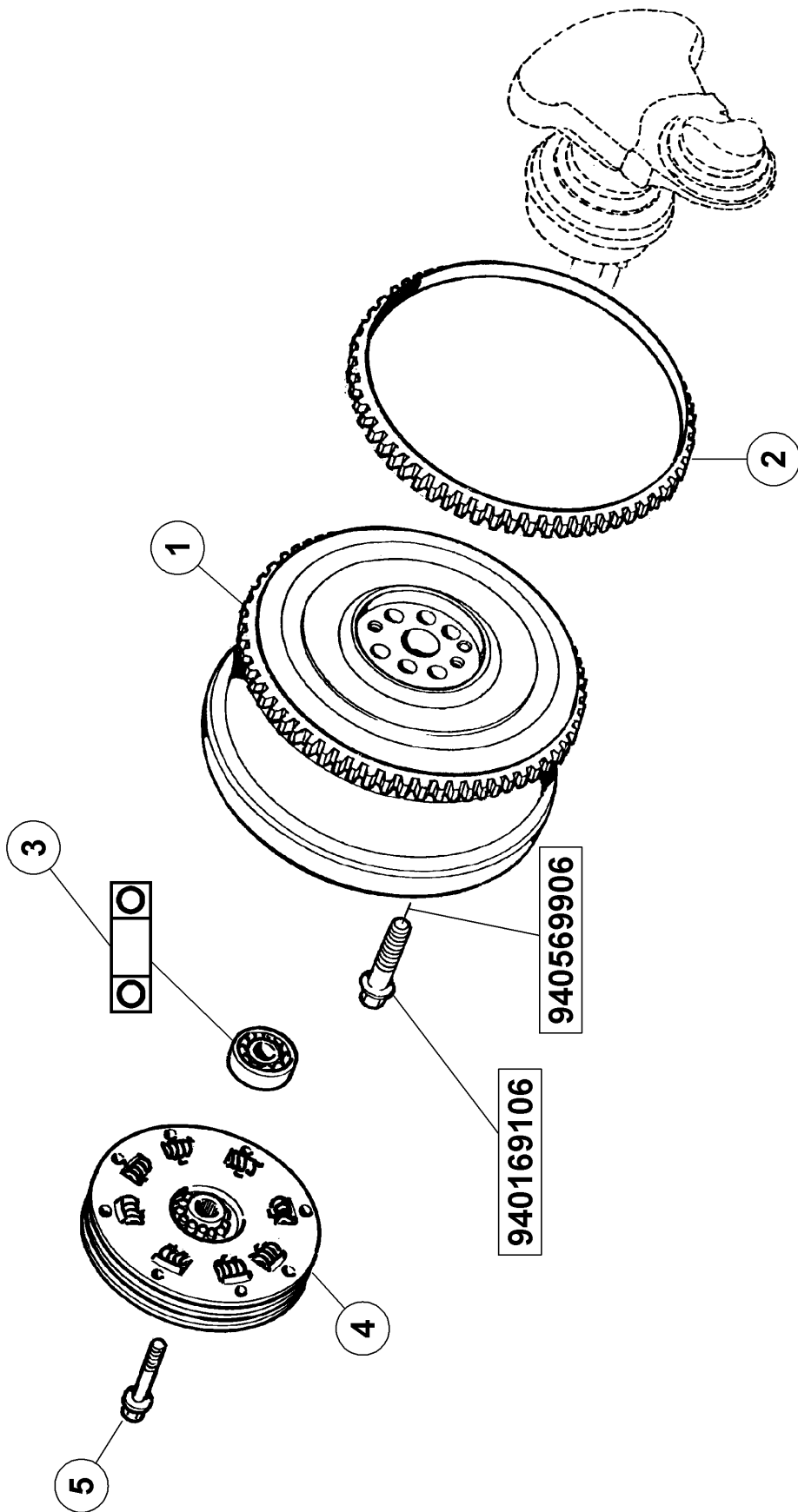
**161 CRANKSHAFT PULLEY WHEEL 1)**

Pos.	Part No.	Description	Dimension	Quantity	Conditions
1	<b>77 0006 623 2</b>	ANTI-VIBRATION WHEEL		1	
2	<b>60 0503 045 1</b>	SPACER		1	
3	<b>60 0502 866 8</b>	SCREW	M20X70	1	
<b>1)</b>	<b>Homologationtype</b>				- 4432



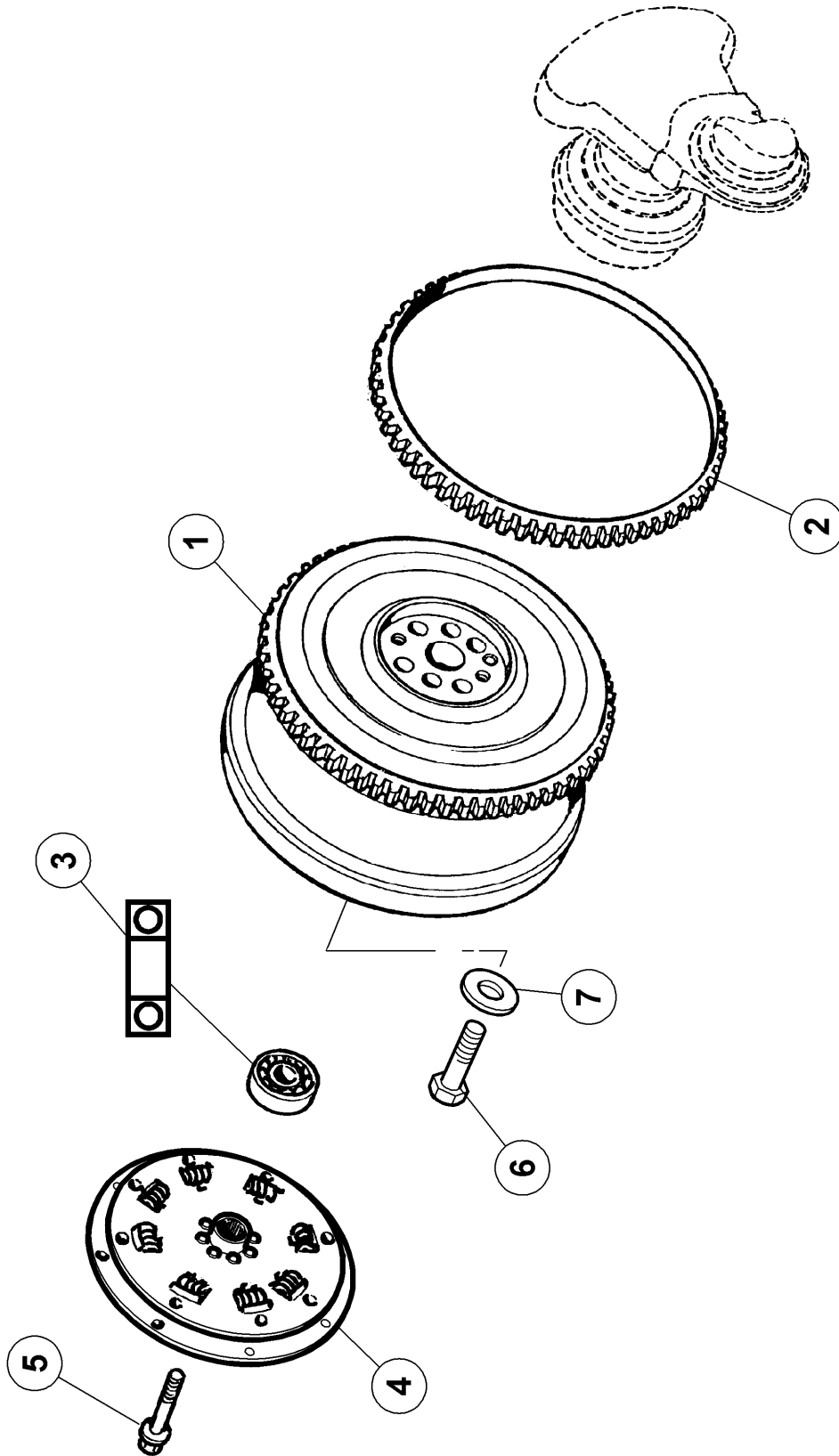
**161 CRANKSHAFT PULLEY WHEEL 1)**

<b>Pos.</b>	<b>Part No.</b>	<b>Description</b>	<b>Dimension</b>	<b>Quantity</b>	<b>Conditions</b>
1	<b>77 0006 623 3</b>	ANTI-VIBRATION WHEEL		1	
2	<b>60 0503 045 1</b>	SPACER		1	
3	<b>60 0502 866 8</b>	SCREW	M20X70	1	
<b>1)</b>	<b>Homologationtype</b>				+ 4432



**220 FLYWHEEL 1)**

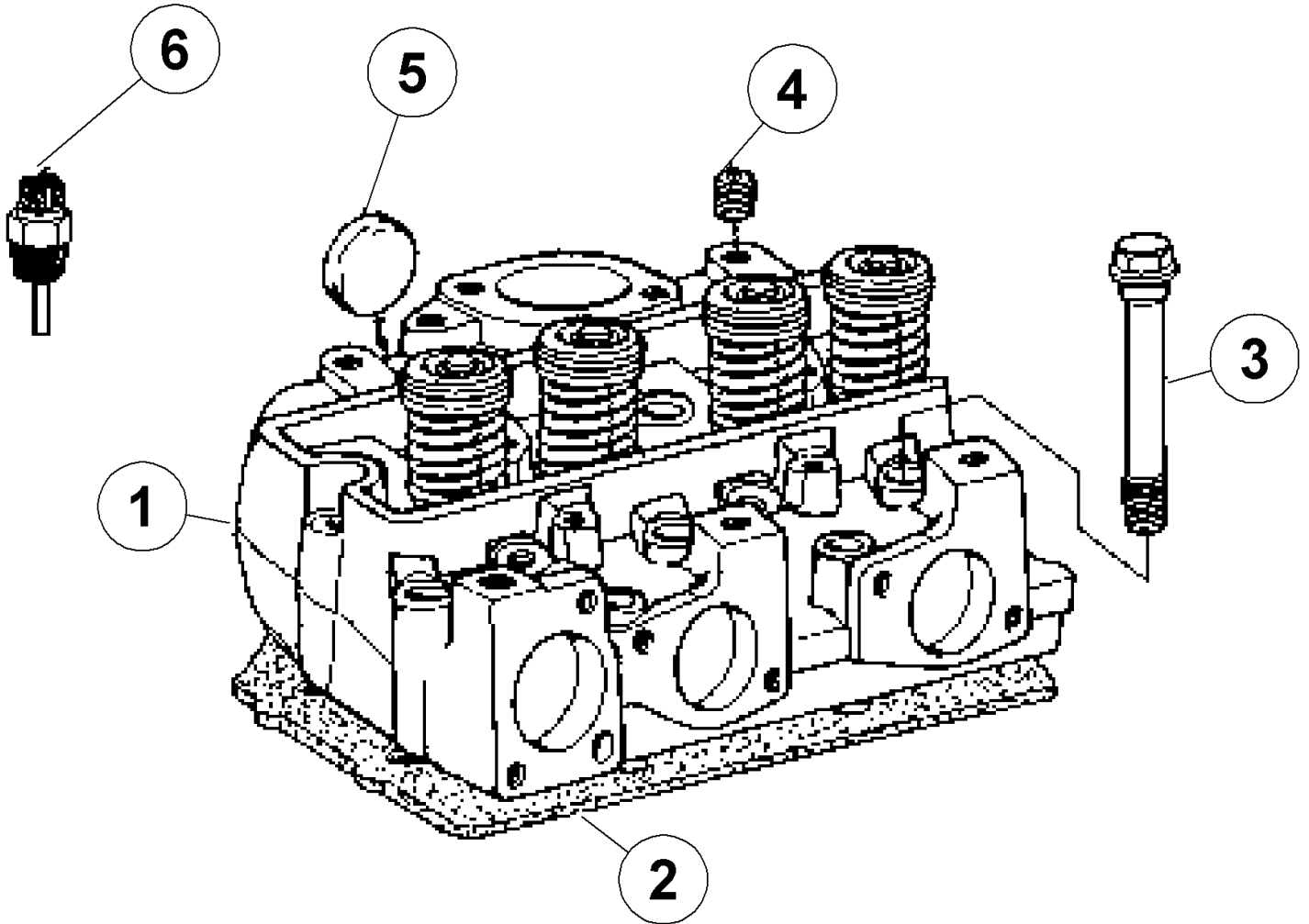
Pos.	Part No.	Description	Dimension	Quantity	Conditions
1	<b>77 0005 063 7</b>	FLYWHEEL		1	
2	<b>77 0004 728 5</b>	TOOTHED RIM		1	2)
3	<b>07 7062 062 3</b>	BEARING-1 BALL		1	
4	<b>77 0005 791 8</b>	HUB		1	3)
4	<b>77 0006 562 0</b>	HUB		1	4)
5	<b>77 0005 997 8</b>	HEXAGON HEAD BOLT	M10X40	12	5)
<hr/>					
<b>1)</b>	<b>Homologationtype</b>			+ 4412 + 4422 + 4432	
<hr/>					
<b>2)</b>	<b>Remarks</b>			142dts.	
<hr/>					
<b>3)</b>	<b>machine no.</b>	4412		up to CT4412273	
	<b>machine no.</b>	4422		up to CT4421695	
	<b>machine no.</b>	4432		up to CT4431908	
<hr/>					
<b>4)</b>	<b>machine no.</b>	4412		from CT4412274	
	<b>machine no.</b>	4422		from CT4421696	
	<b>machine no.</b>	4432		from CT4431909	
<hr/>					
<b>5)</b>	<b>machine no.</b>	4412		from CT4411801	
	<b>machine no.</b>	4422		from CT4421535	
	<b>machine no.</b>	4432		from CT4431629	
	<b>Remarks</b>			HM 10x150 - 40	



**220 FLYWHEEL 1)**

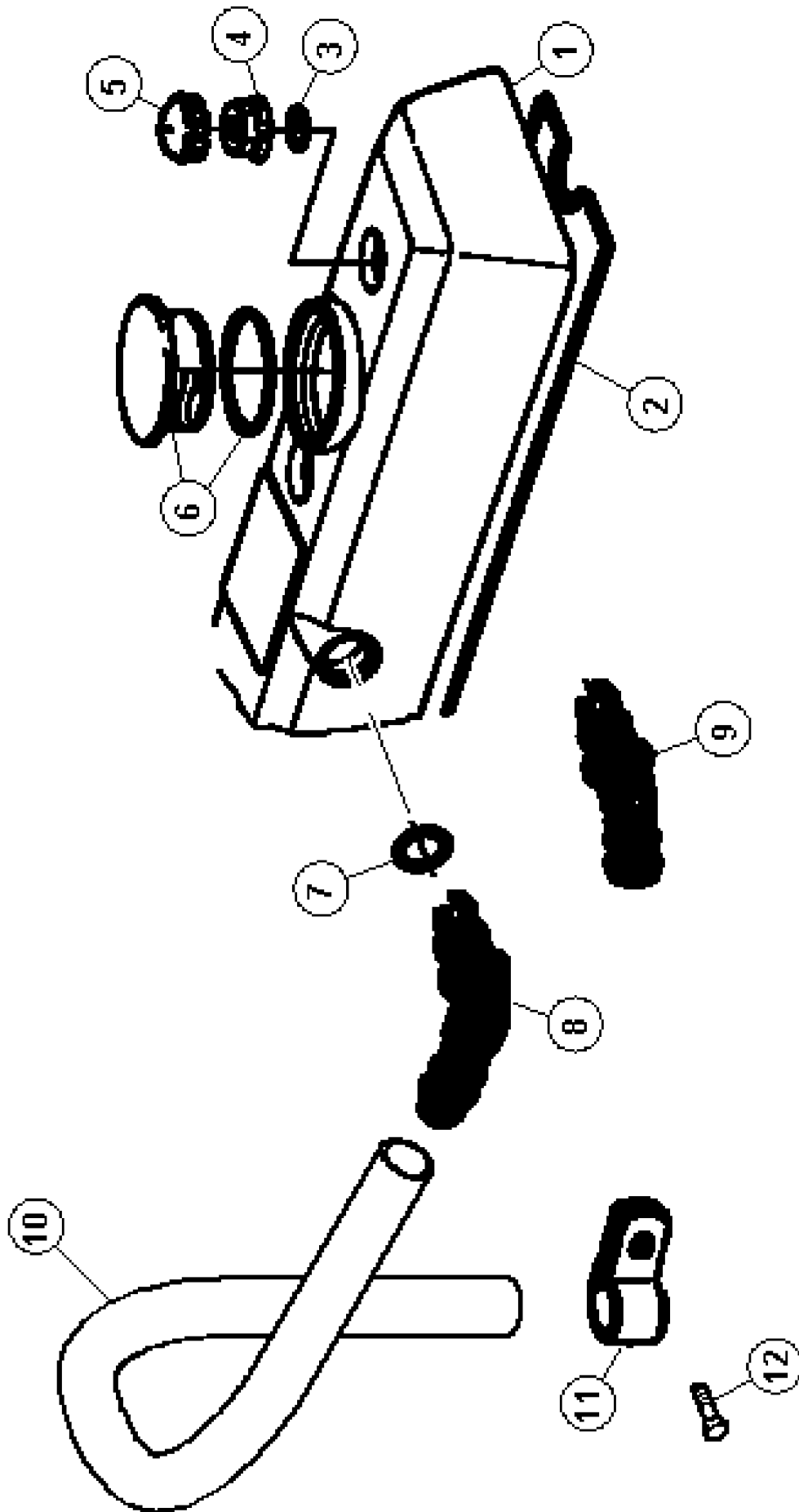
Pos.	Part No.	Description	Dimension	Quantity	Conditions
1	<b>77 0005 558 5</b>	FLYWHEEL		1	
2	<b>77 0004 728 5</b>	TOOTHED RIM		1	2)
3	<b>07 7062 062 3</b>	BEARING-1 BALL		1	
4	<b>77 0005 363 7</b>	TORSION DAMPER		1	
5	<b>77 0005 997 8</b>	HEXAGON HEAD BOLT	M10X40	8	3)
6	<b>77 0006 756 4</b>	SCREW		6	4)
7	<b>77 0006 758 7</b>	WASHER		6	5)

<b>1)</b>	<b>Homologationtype</b>	+ 4322
<b>2)</b>	<b>Remarks</b>	142dts.
<b>3)</b>	<b>Remarks</b>	M10x150-40
<b>4)</b>	<b>Remarks</b>	HM12X175-80
<b>5)</b>	<b>Remarks</b>	13.5X20.6X1.5



**100 CYLINDER HEAD**

<b>Pos.</b>	<b>Part No.</b>	<b>Description</b>	<b>Dimension</b>	<b>Quantity</b>	<b>Conditions</b>
1	<b>60 0502 149 0</b>	CYLINDER HEAD		1	
2	<b>60 0502 149 1</b>	CYLINDER HEAD GASKET		1	
3	<b>60 0501 288 6</b>	SCREW		26	
4	<b>60 0502 144 0</b>	LOCK		1	
5	<b>60 0501 288 3</b>	LOCK		1	1)
5	<b>60 0502 149 2</b>	PLUG		3	2)
6	<b>60 0501 344 2</b>	SENDER UNIT		1	
<b>1)</b>	<b>Remarks</b>		DI.32,6		
<b>2)</b>	<b>Remarks</b>		DI.43,4		





**Suggest:**

**For more complete manuals. Please go to the home page.**

**<https://www.ebooklibonline.com>**

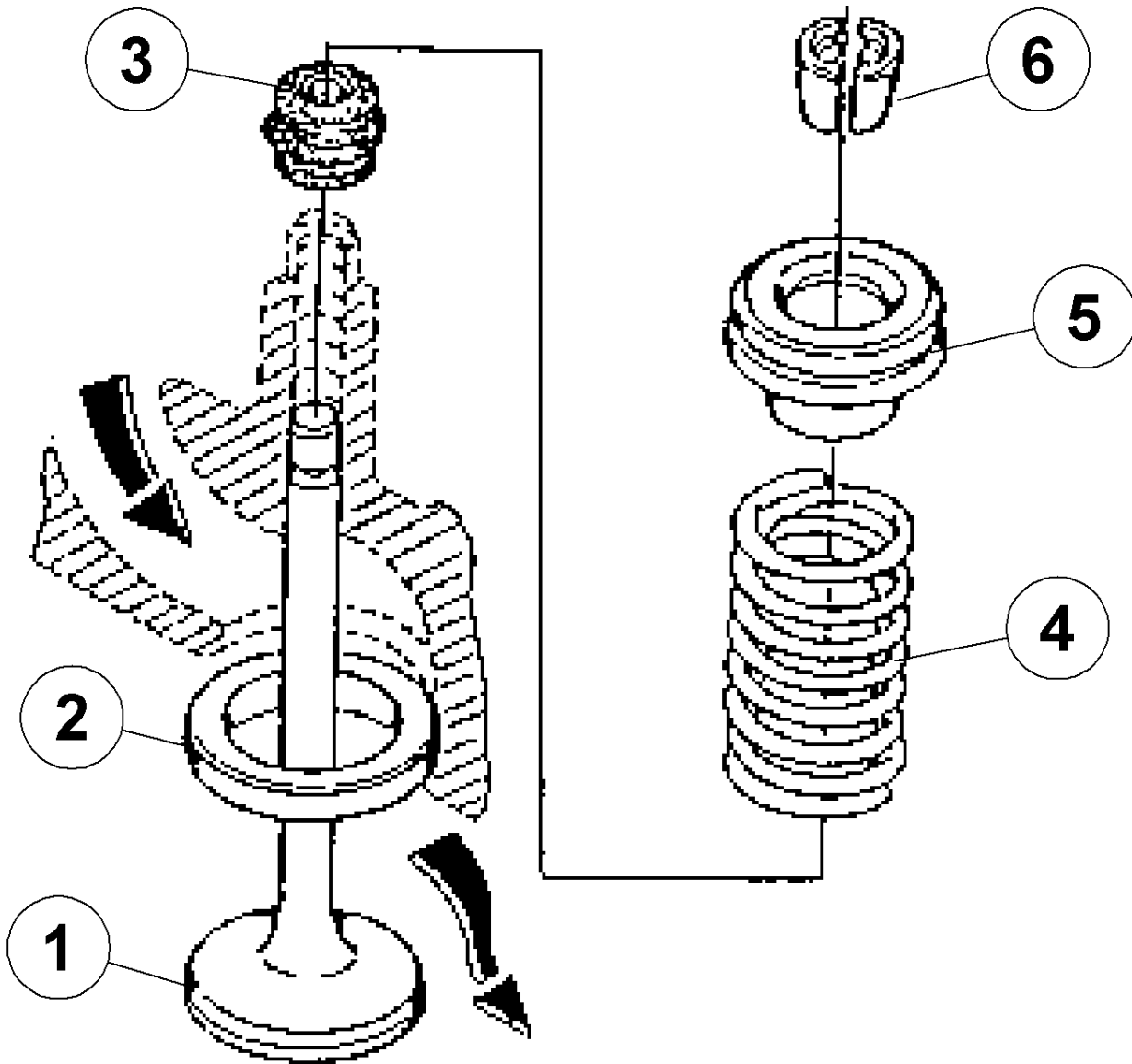
**If the above button click is invalid. Please download this document first, and then click the above link to download the complete manual.**

**Thank you so much for reading**

**120 CYLINDER HEAD COVER**

Pos.	Part No.	Description	Dimension	Quantity	Conditions
1	<b>60 0502 149 3</b>	ROCKER COVER		1	
2	<b>60 0502 134 5</b>	SEALING RING		1	
3	<b>60 0502 134 7</b>	O-RING	W.ERS. D. 0219 147.0	6	
4	<b>60 0502 149 4</b>	FLANGE NUT		6	
5	<b>60 0502 134 4</b>	PLUG		6	
6	<b>60 0502 149 5</b>	LOCK		1	
7	<b>60 0500 901 5</b>	O-RING		1	
8	<b>60 0503 026 5</b>	SCREWING		1	1)
9	<b>60 0502 595 3</b>	ELBOW CONNECTOR		1	2)
10	<b>60 0502 150 0</b>	HOSE		1	3)
10	<b>60 0503 048 0</b>	HOSE		1	4)
11	<b>60 0502 149 9</b>	FLANGE		1	3)
12	<b>60 0502 149 8</b>	SCREW	M8X20	1	3)

<b>1)</b>	<b>Motor</b>	6068HRT70	from CD6068H859342
		6068HRT71	from CD6068H859342
	<b>Remarks</b>	6068HRT72	from CD6068H859342 90°
<b>2)</b>	<b>Motor</b>	6068HRT70	up to CD6068H859341
		6068HRT71	up to CD6068H859341
	<b>Remarks</b>	6068HRT72	up to CD6068H859341 135°
<b>3)</b>	<b>Motor</b>	6068HRT70	up to CD6068H859341
		6068HRT71	up to CD6068H859341
		6068HRT72	up to CD6068H859341
<b>4)</b>	<b>Motor</b>	6068HRT70	from CD6068H859342
		6068HRT71	from CD6068H859342
		6068HRT72	from CD6068H859342



**140 VALVES**

<b>Pos.</b>	<b>Part No.</b>	<b>Description</b>	<b>Dimension</b>	<b>Quantity</b>	<b>Conditions</b>
1	<b>60 0501 290 8</b>	ENGINE VALVE		6	
1	<b>60 0501 290 9</b>	ENGINE VALVE		6	1)
2	<b>60 0501 291 0</b>	VALVE SEAT		6	
3	<b>60 0501 291 1</b>	SEALING RING		6	
4	<b>60 0501 291 3</b>	SPRING		6	
5	<b>60 0501 291 4</b>	RETAINER		6	
6	<b>60 0501 291 5</b>	HALF-CONE		12	
<b>1)</b>	<b>Remarks</b>		+0,38mm		

**<https://www.ebooklibonline.com>**

Hello dear friend!

Thank you very much for reading.

Enter the link into your browser.

The full manual is available for immediate download.

**<https://www.ebooklibonline.com>**