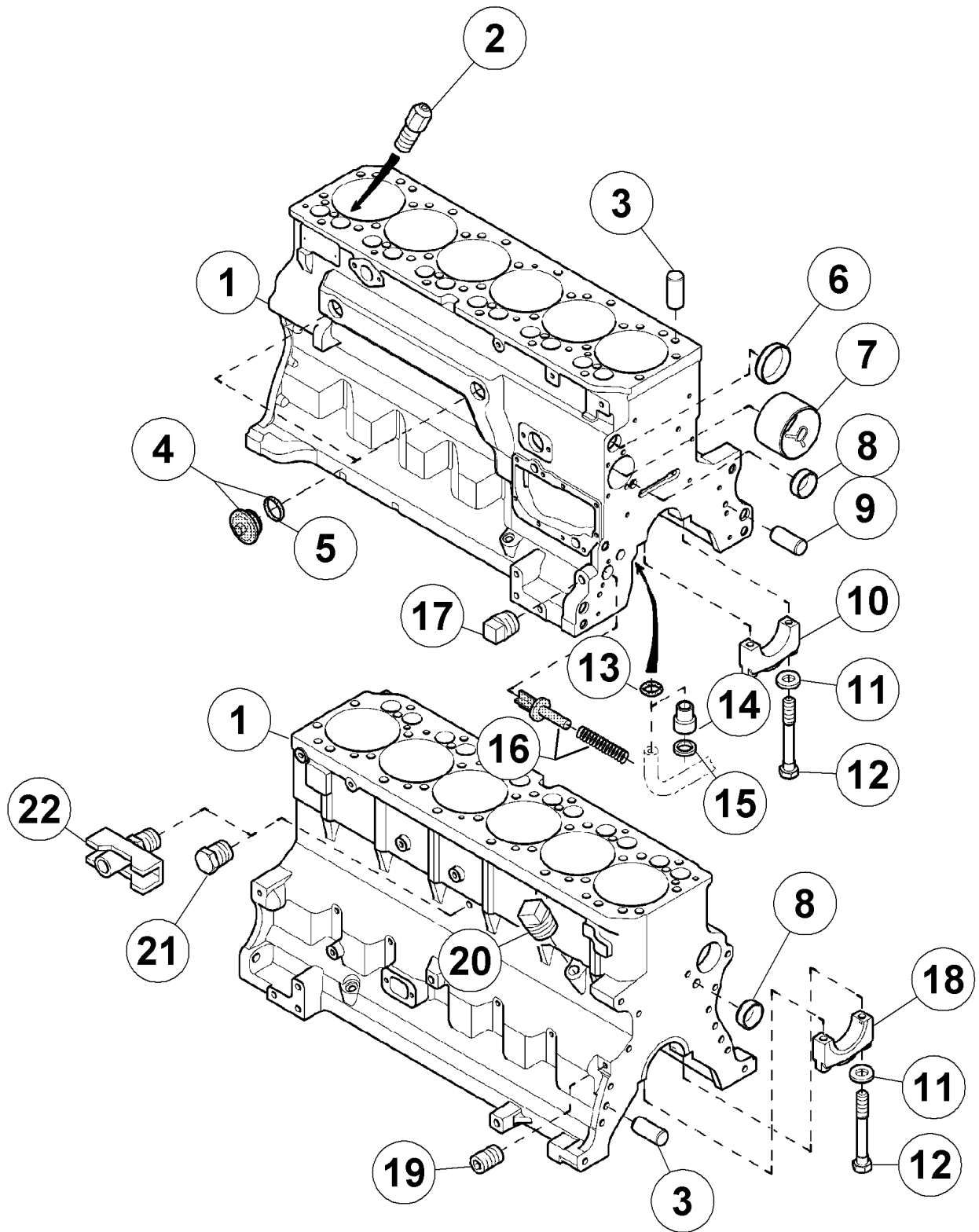


010 COMPLETE ENGINE

Pos.	Part No.	Description	Dimension	Quantity	Conditions
1	00 1110 062 0	ENGINE		1	1)
1	00 1110 063 0	ENGINE		1	2)
1	77 0006 860 0	ENGINE	DPS ET 77G TIER 2 185 1 CH	1	3)
1	77 0006 971 1	ENGINE		1	4)
1)	Homologationtype			+ 4412	
2)	Homologationtype			+ 4422	
3)	Homologationtype			+ 4432	
4)	Homologationtype			+ 4322	



<https://www.ebooklibonline.com>

Hello dear friend!

Thank you very much for reading.

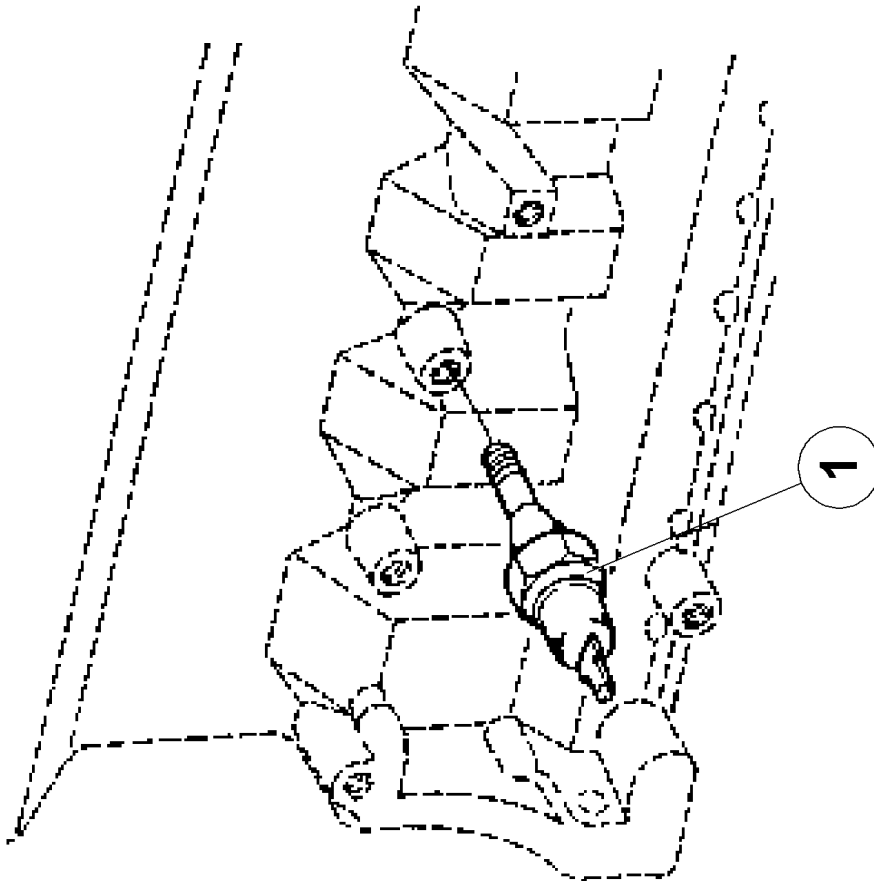
Enter the link into your browser.

The full manual is available for immediate download.

<https://www.ebooklibonline.com>

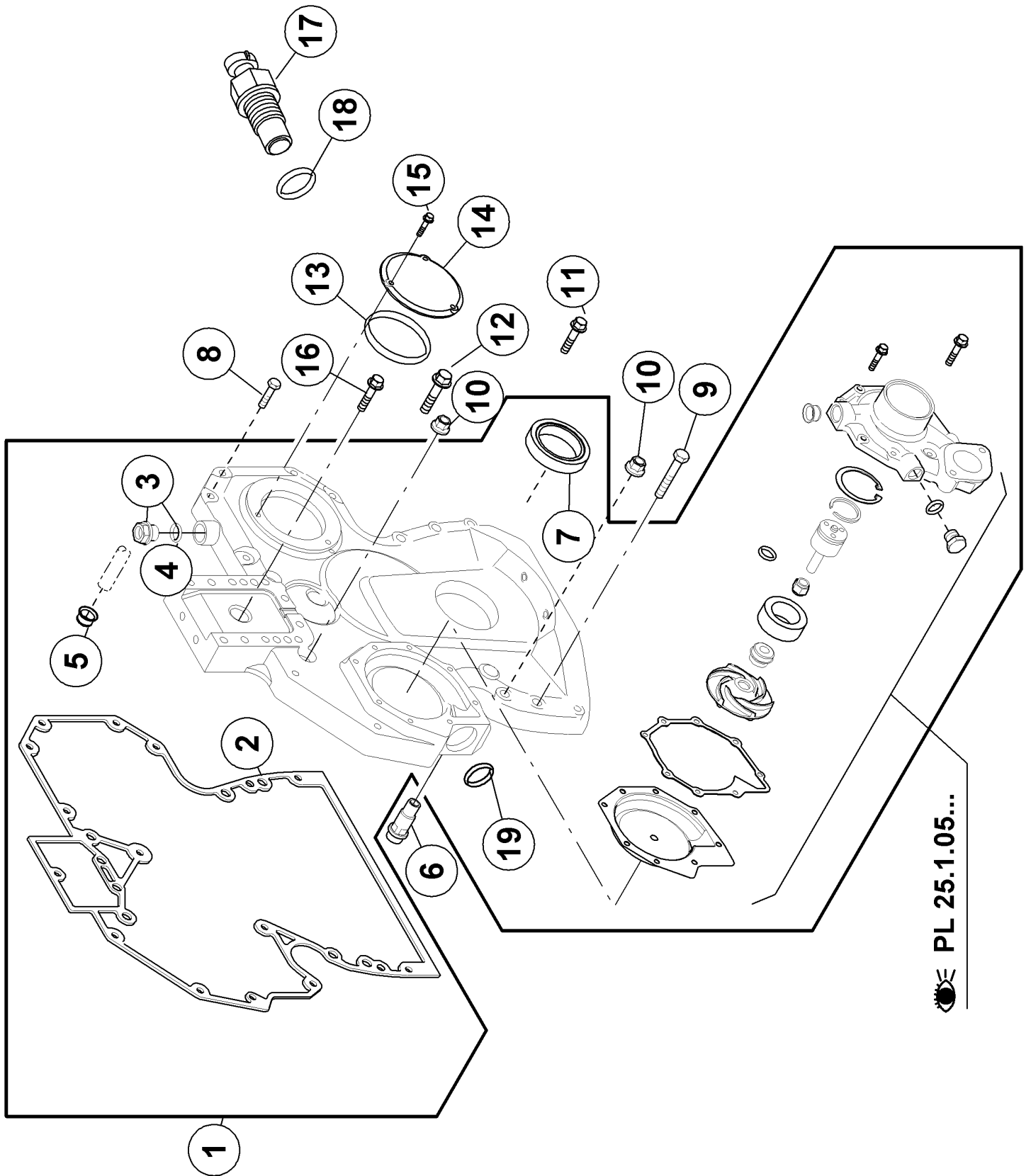
100 CRANKCASE

Pos.	Part No.	Description	Dimension	Quantity	Conditions
1	FA-CONSIGNES	Consignes - CS		1	
-		<i>Please order!</i> <i>60 0503 025 9 SHORT BLOCK</i>		1,000	
2	60 0502 143 6	SPRAY NOZZLE		6	
3	60 0501 317 4	CENTRING PIN		4	
4	60 0502 905 2	PLUG		1	
5	60 0502 339 4	O-RING		1	
6	60 0502 143 9	BLANKING COVER		1	
7	60 0501 294 1	BEARING		1	
8	60 0501 319 8	BLANKING COVER		2	
9	60 0501 319 6	CENTRING PIN		2	
10	60 0502 143 8	COVER		6	
11	60 0502 143 7	WASHER	13X22X2,5	6	
12	60 0501 320 6	SCREW		14	
13	60 0501 320 3	O-RING		1	
14	60 0501 597 2	BUSHING		1	
15	60 0501 334 1	O-RING		1	
16	60 0501 402 9	VALVE		1	
17	60 0501 320 2	LOCK		1	
18	60 0502 144 1	COVER		1	
19	60 0502 144 0	LOCK		7	
20	60 0501 321 0	PLUG		1	
21	60 0502 665 3	PLUG		1	
22	60 0501 320 7	VALVE		1	



100 CRANKCASE

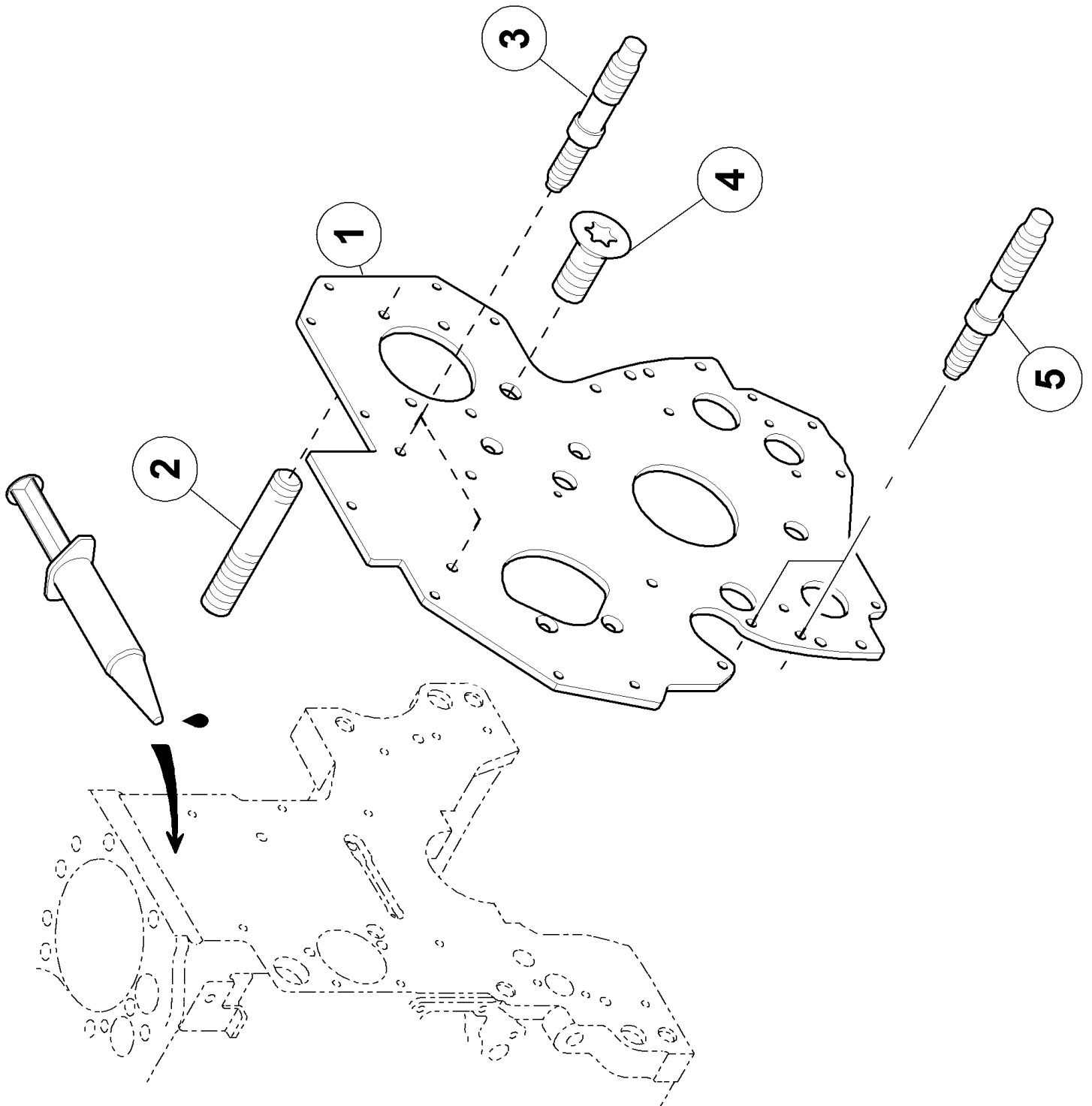
Pos.	Part No.	Description	Dimension	Quantity	Conditions
1	60 0501 342 7	TRANSMITTER		1	



PL 25.1.05...

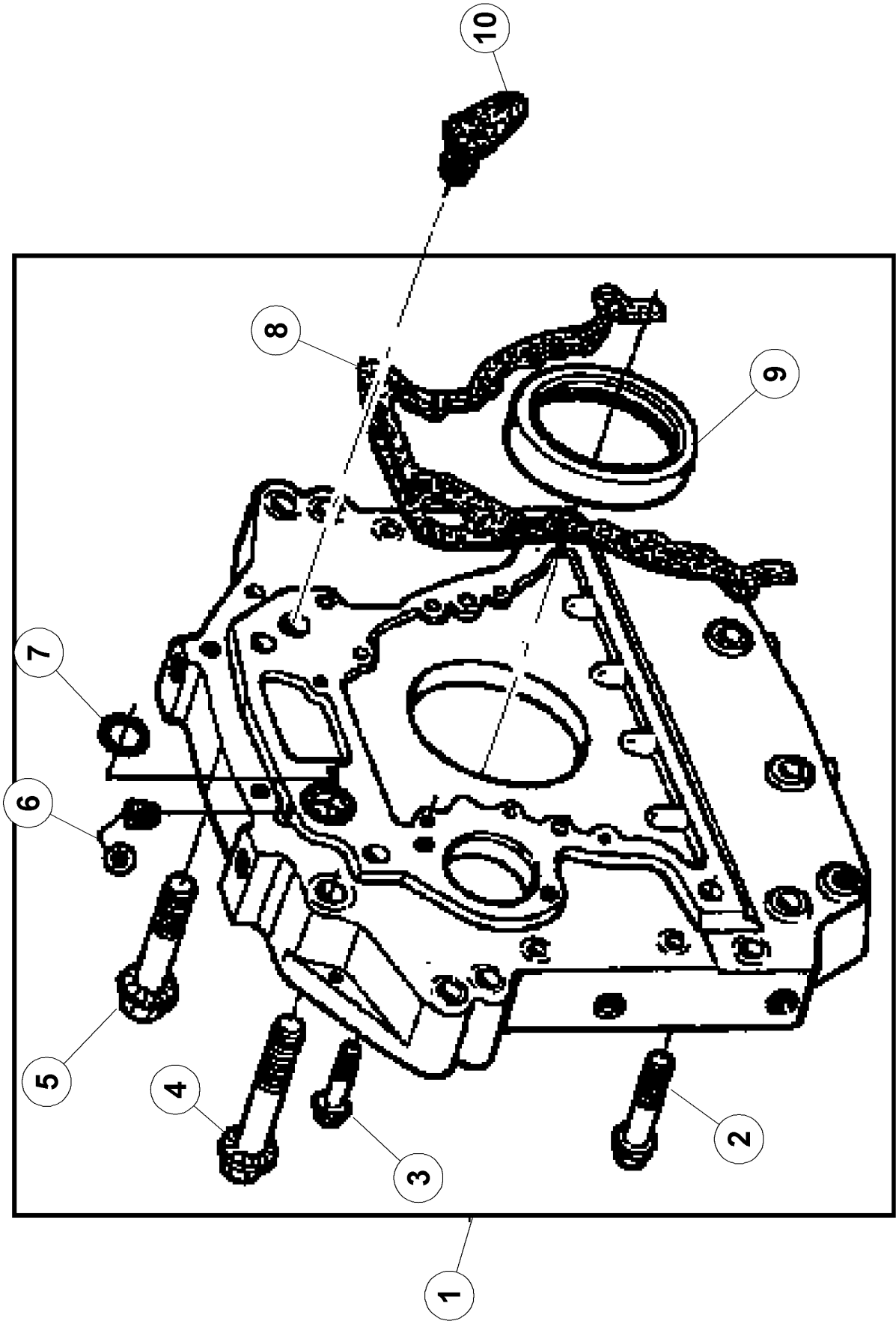
120 TIMING CASE

Pos.	Part No.	Description	Dimension	Quantity	Conditions
1	60 0502 869 0	HOUSING		1	
2	60 0502 144 3	GASKET		1	
3	60 0502 895 5	SCREW PLUG	F-M20X1,5	1	
4	77 0002 464 6	O-RING	17X2-N ERS.D. 0238209.0	1	
5	60 0502 163 0	SEALING RING		1	
6	60 0502 869 1	VALVE		1	
7	60 0503 024 7	SEALING RING		1	
8	60 0502 144 5	SCREW	M8X45	6	
9	60 0502 145 8	SCREW		2	
10	60 0502 144 9	NUT		6	
11	60 0502 145 0	SCREW	M08X60	1	
12	60 0502 339 6	SCREW		1	
13	60 0502 144 6	O-RING		1	
14	60 0502 144 7	COVER		1	
15	60 0502 144 8	SCREW	M6X16	3	
16	60 0502 144 4	SCREW	M8X35	1	
17	77 0007 199 7	SENSOR		1	1)
18	77 0002 464 6	O-RING	17X2-N ERS.D. 0238209.0	1	
1)	Remarks	vitesse mot.			



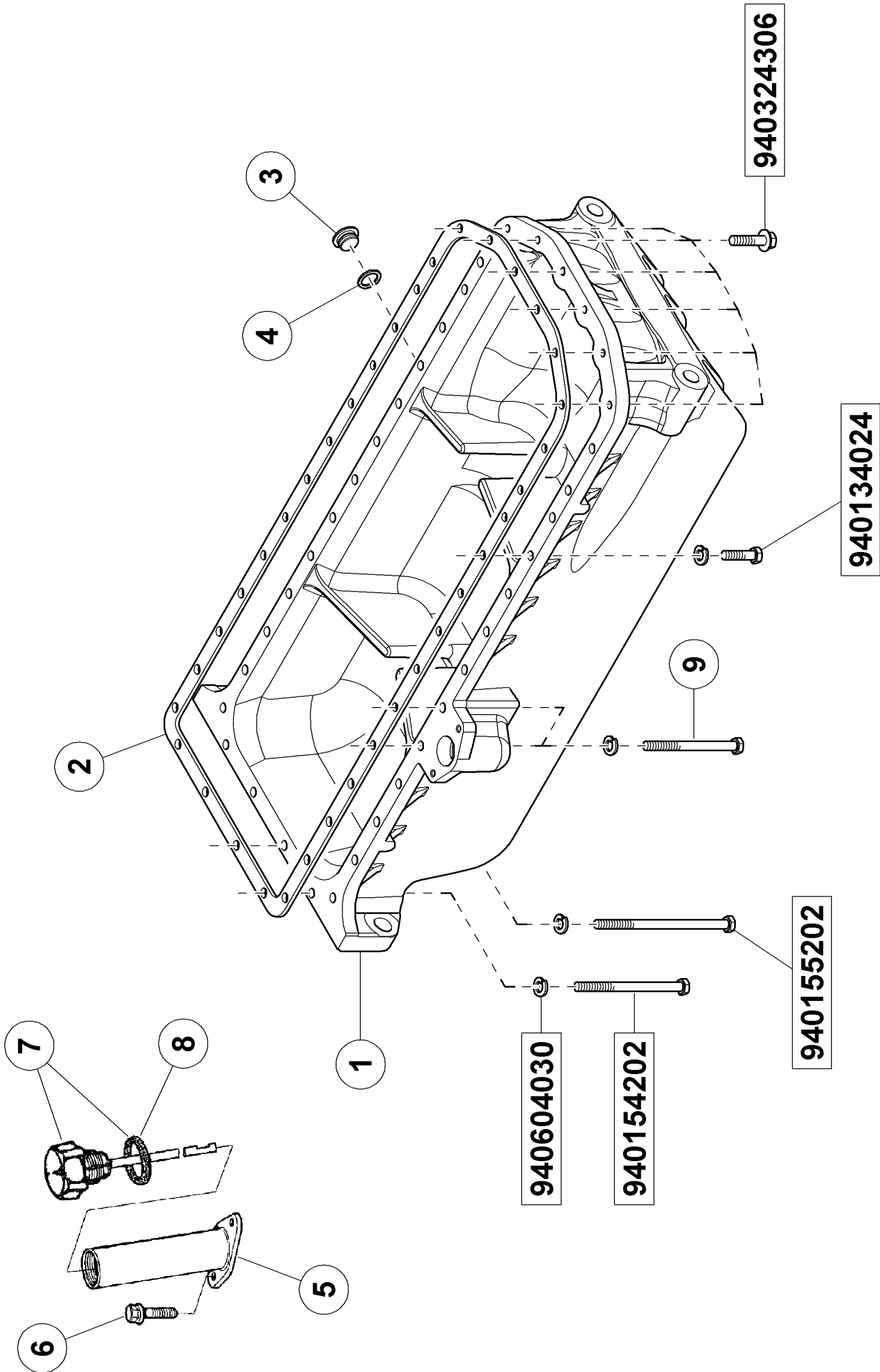
120 TIMING CASE

Pos.	Part No.	Description	Dimension	Quantity	Conditions
1	60 0502 869 2	PLATE		1	1)
1	60 0502 145 2	PLATE		1	2)
2	60 0502 340 2	STUD BOLT		4	1)
2	60 0502 145 5	STUD BOLT		3	2)
3	60 0502 339 8	STUD BOLT		2	
4	60 0502 339 7	SCREW		4	
5	60 0502 145 7	STUD BOLT		4	
<hr/>					
1)	Homologationtype			+ 4432	
<hr/>					
2)	Homologationtype			- 4432	
<hr/>					



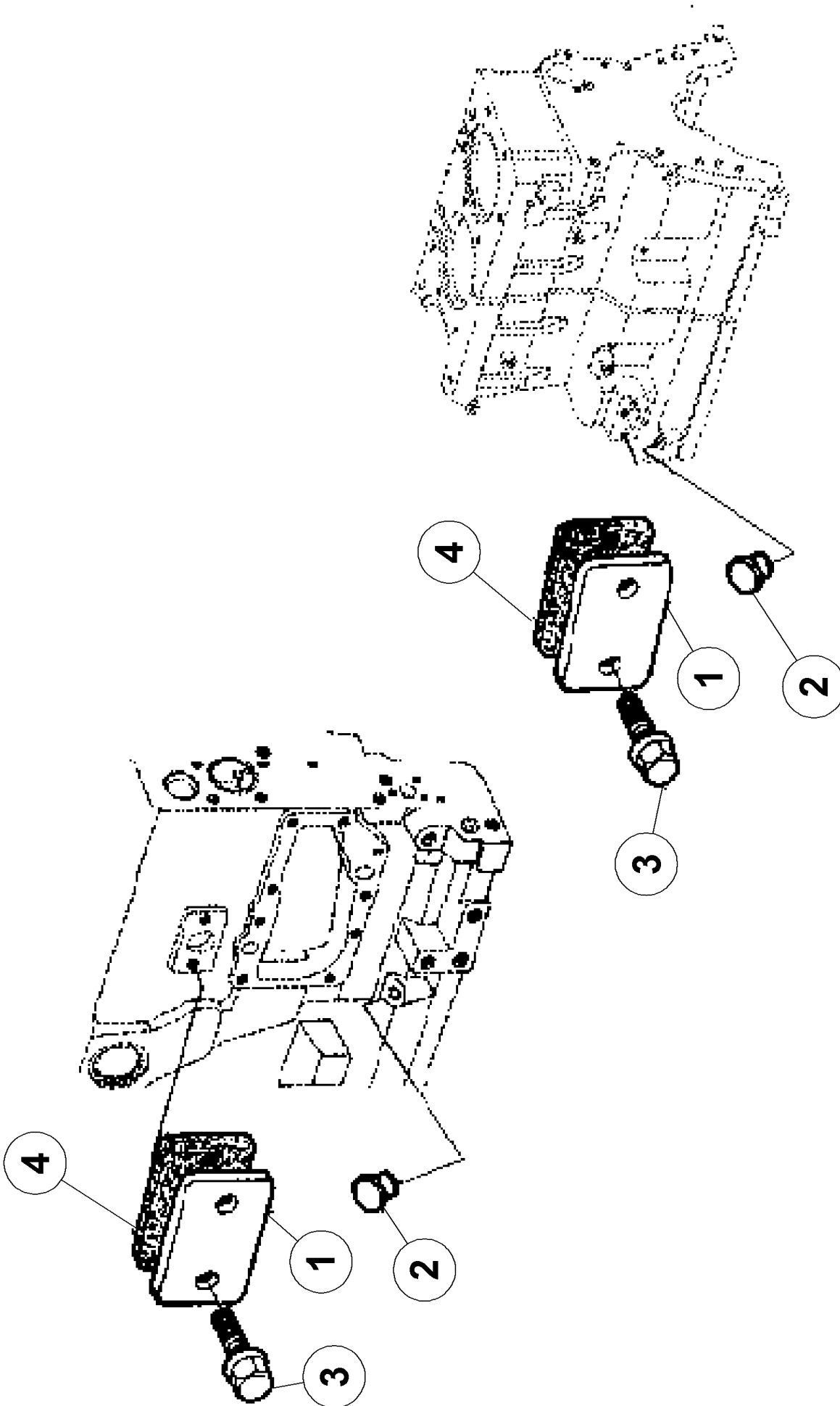
140 FLYWHEEL HOUSING

Pos.	Part No.	Description	Dimension	Quantity	Conditions
1	60 0502 603 2	HOUSING		1	
2	60 0502 777 3	SCREW	M16X60	2	
3	60 0502 146 7	SCREW	M12X40	8	
4	60 0502 146 6	SCREW		1	
5	60 0502 146 5	SCREW		1	
6	60 0502 146 4	LOCK		1	
7	60 0501 604 9	O-RING		1	
8	77 0005 577 1	GASKET		1	
9	60 0501 279 0	SHAFT SEAL	118X146X15	1	
10	60 0501 278 6	BLANKING COVER		1	



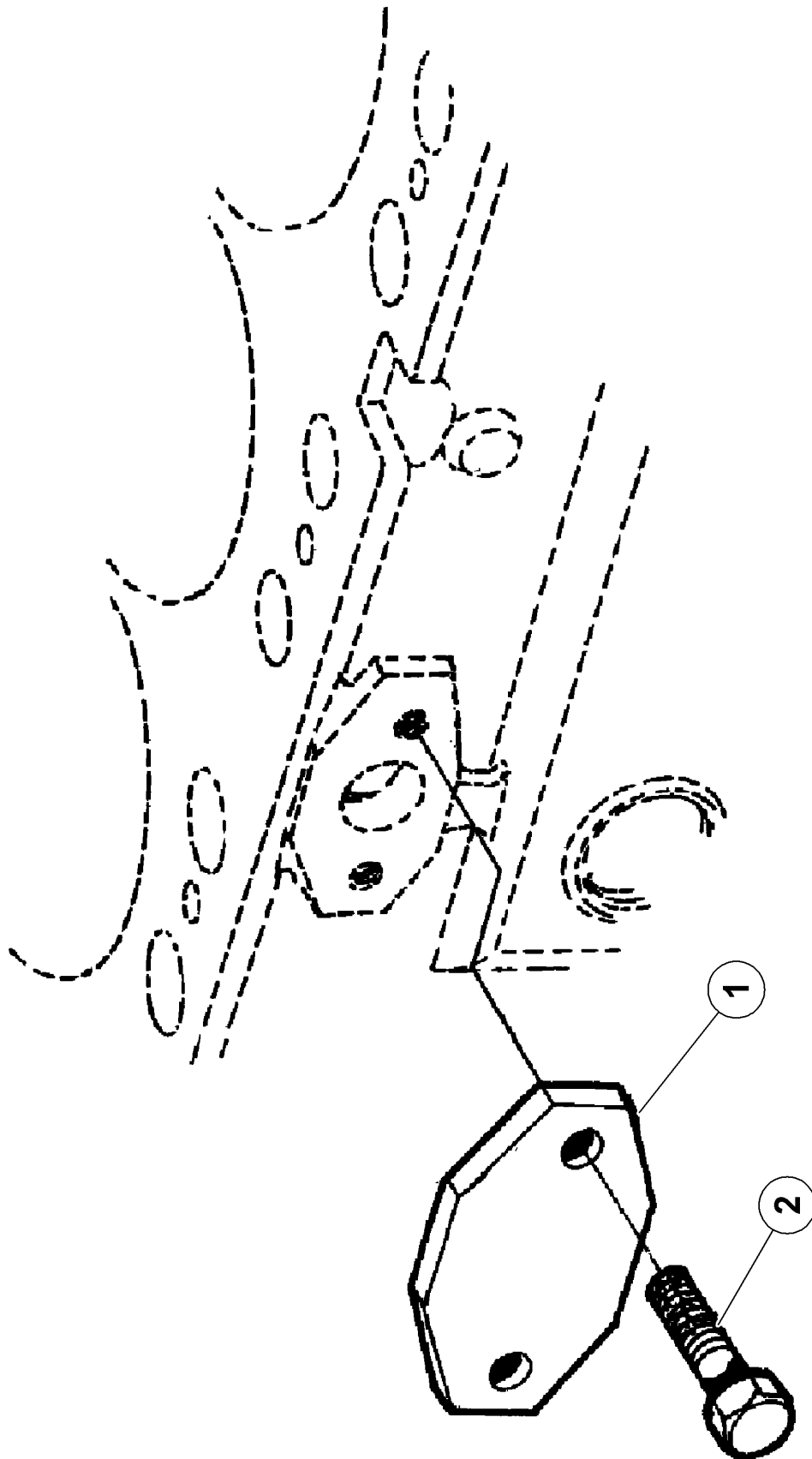
160 OIL PAN

Pos.	Part No.	Description	Dimension	Quantity	Conditions
1	60 0502 146 9	HOUSING		1	
2	60 0502 666 6	GASKET		1	
3	60 0501 279 3	LOCK		1	
4	60 0501 211 0	GASKET		1	
5	60 0501 279 4	TUBE		1	
6	60 0502 145 6	SCREW	M8X25	2	
7	60 0502 147 0	GAUGE		1	
8	60 0501 334 6	O-RING		1	
9	60 0502 147 1	SCREW		2	



180 PLUGS

Pos.	Part No.	Description	Dimension	Quantity	Conditions
1	60 0502 470 2	PLATE		2	
2	60 0502 662 4	PLUG		2	
3	60 0502 154 7	SCREW	M8X16	4	
4	60 0502 470 4	GASKET		2	

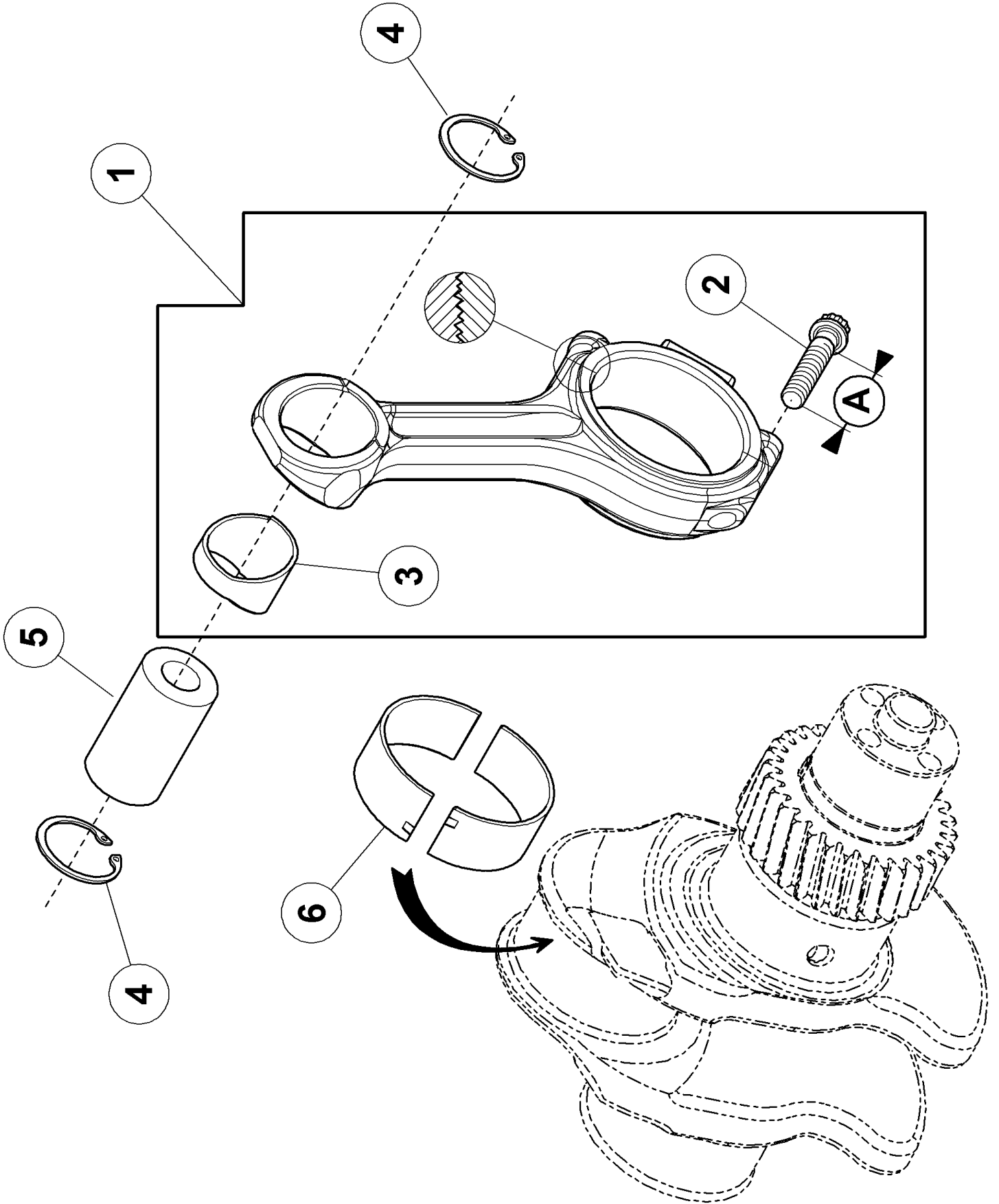


180 PLUGS

Pos.	Part No.	Description	Dimension	Quantity	Conditions
1	60 0502 662 2	PLATE		1	1)
2	60 0502 662 3	SCREW		2	1)
1)	Homologationtype				+ 4432

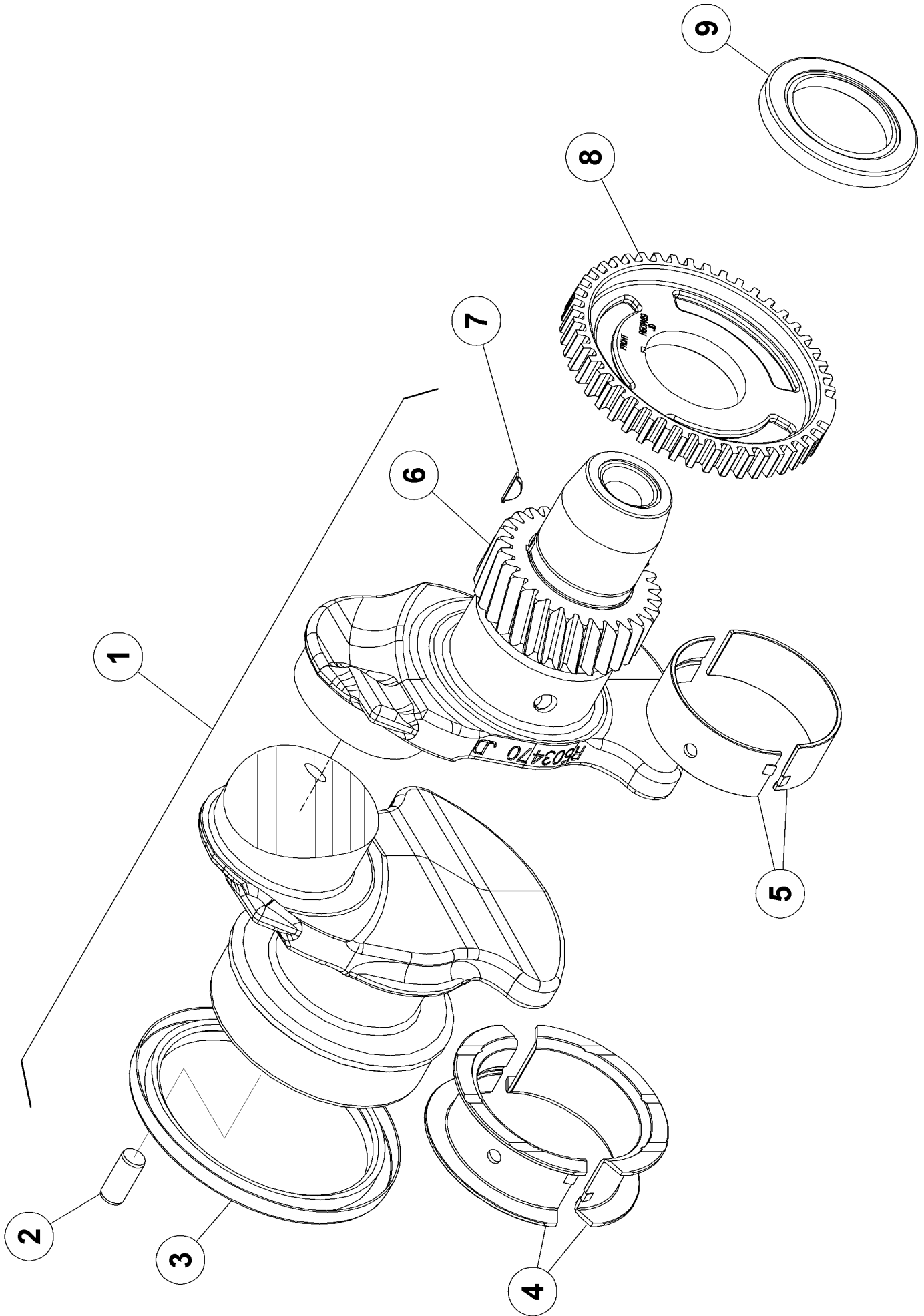
100 CYLINDER LINER, PISTON

Pos.	Part No.	Description	Dimension	Quantity	Conditions
1	60 0502 869 4	PISTON-LINER		6	
2	60 0502 869 5	SET OF PISTON RINGS		6	
3	60 0501 280 9	SEALING RING SET		6	
4	60 0501 281 5	ADJUSTING DISC		6	1)
4	60 0501 281 6	ADJUSTING DISC		6	2)
1)	Remarks		ép.0.05		
2)	Remarks		ép.0.10		



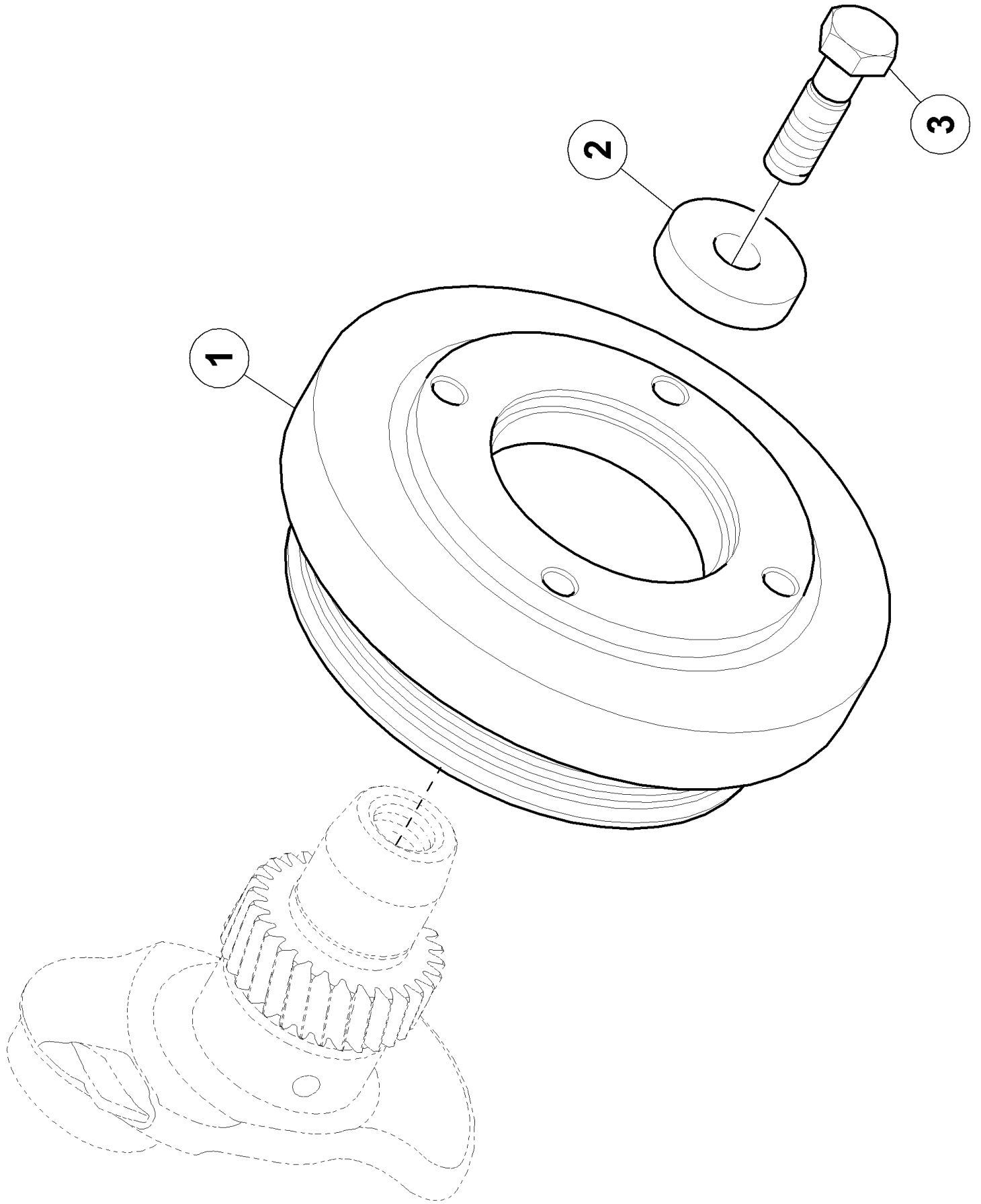
120 CONNECTING ROD, CONNECTING ROD BEARINGS

Pos.	Part No.	Description	Dimension	Quantity	Conditions
1	60 0502 453 6	CONNECTING ROD		6	
2	60 0502 453 7	SCREW	12 PTS M12 X 1,25 - 61	12	
3	60 0502 147 6	RING		6	
4	60 0501 281 4	INNER CIRCLIP		12	
5	60 0502 147 7	AXLE		6	
6	60 0502 147 8	BEARING		6	
6	60 0502 147 9	BEARING		6	1)
1)	Remarks		-0,254mm		



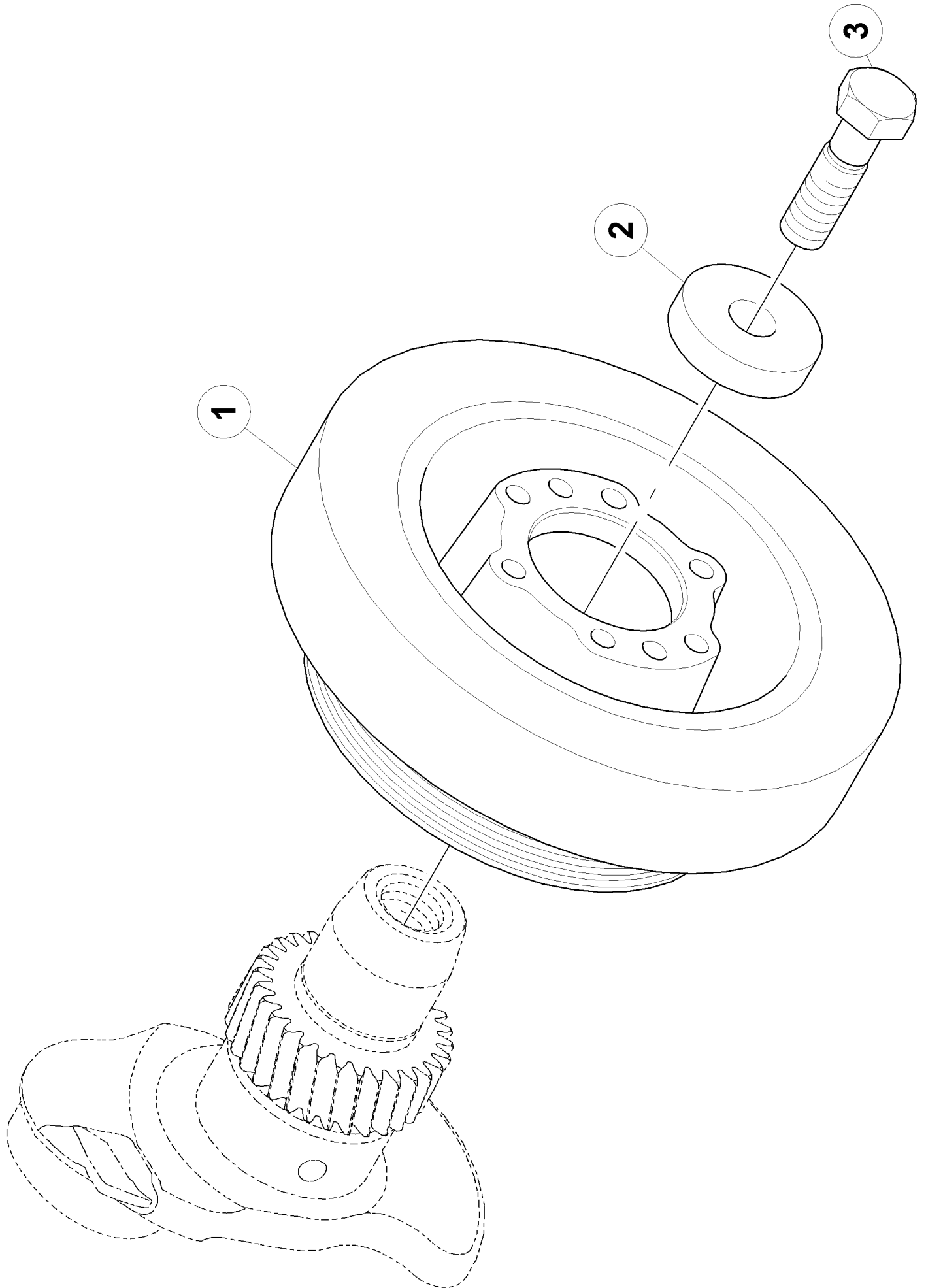
140 CRANKSHAFT

Pos.	Part No.	Description	Dimension	Quantity	Conditions
1	60 0502 869 6	CRANKSHAFT		1	
2	60 0501 317 4	CENTRING PIN		1	
3	60 0501 279 0	SHAFT SEAL	118X146X15	1	
4	60 0502 148 1	BEARING		1	
4	60 0502 148 2	BEARING		1	1)
5	60 0502 148 3	BEARING		6	
5	60 0502 148 4	BEARING		6	1)
6	60 0502 148 5	WHEEL		1	2)
7	60 0502 869 7	KEY		1	
8	60 0502 869 8	WHEEL		1	
9	60 0503 024 7	SEALING RING		1	
1)	Remarks		-0.254mm		
2)	Remarks		30 dts.		



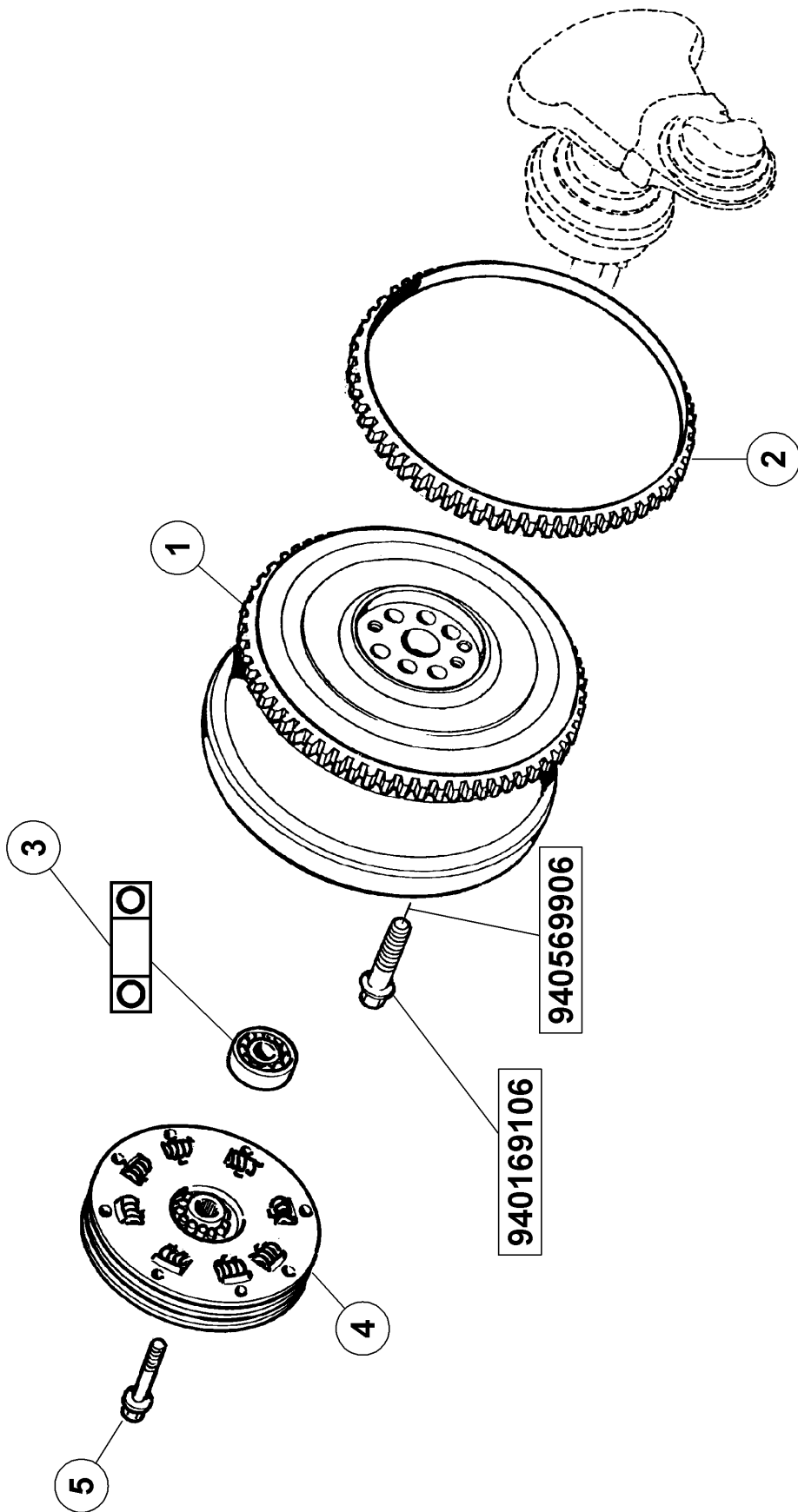
161 CRANKSHAFT PULLEY WHEEL 1)

Pos.	Part No.	Description	Dimension	Quantity	Conditions
1	77 0006 623 2	ANTI-VIBRATION WHEEL		1	
2	60 0503 045 1	SPACER		1	
3	60 0502 866 8	SCREW	M20X70	1	
1)	Homologationtype				- 4432



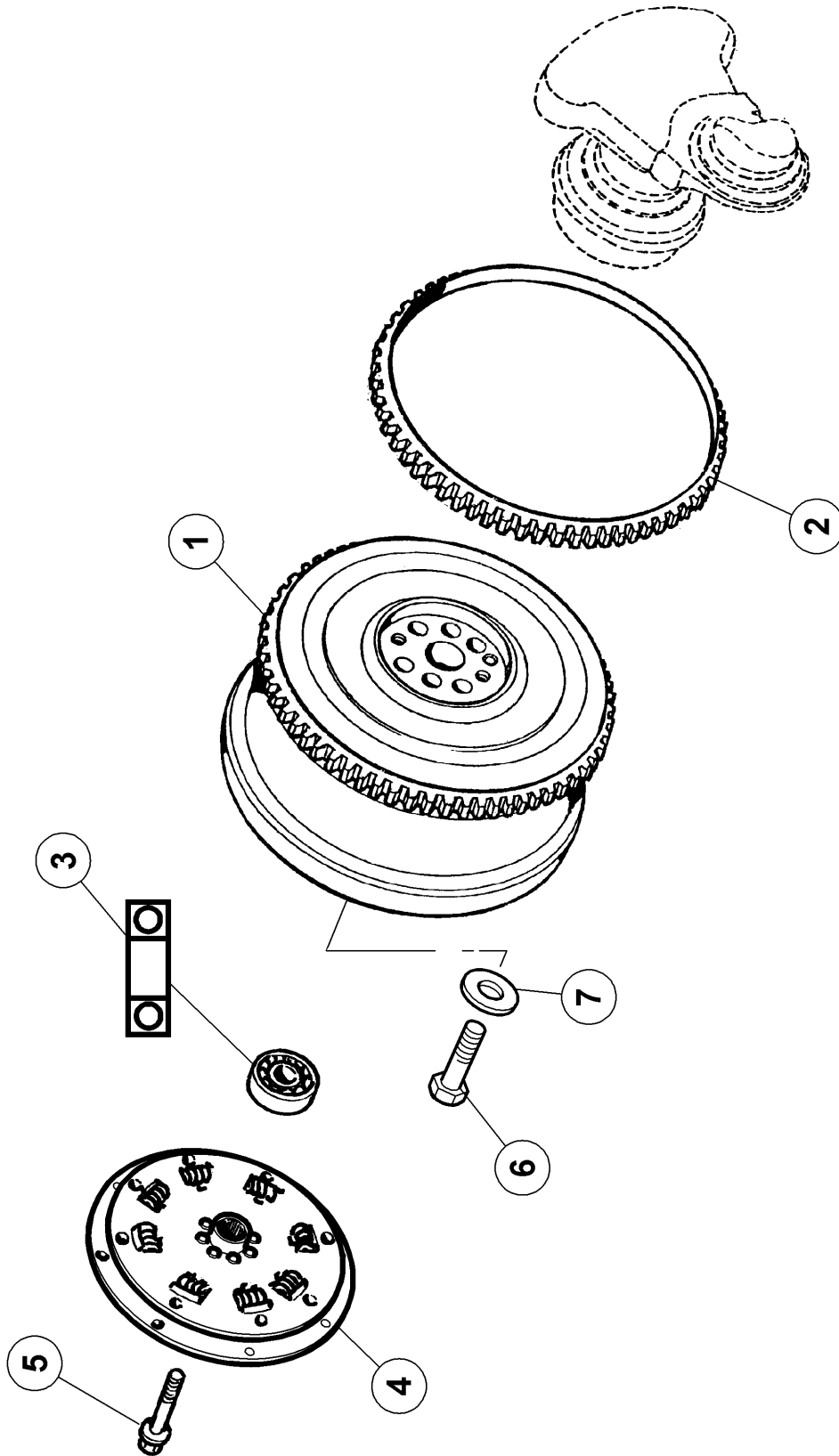
161 CRANKSHAFT PULLEY WHEEL 1)

Pos.	Part No.	Description	Dimension	Quantity	Conditions
1	77 0006 623 3	ANTI-VIBRATION WHEEL		1	
2	60 0503 045 1	SPACER		1	
3	60 0502 866 8	SCREW	M20X70	1	
1)	Homologationtype				+ 4432



220 FLYWHEEL 1)

Pos.	Part No.	Description	Dimension	Quantity	Conditions
1	77 0005 063 7	FLYWHEEL		1	
2	77 0004 728 5	TOOTHED RIM		1	2)
3	07 7062 062 3	BEARING-1 BALL		1	
4	77 0005 791 8	HUB		1	3)
4	77 0006 562 0	HUB		1	4)
5	77 0005 997 8	HEXAGON HEAD BOLT	M10X40	12	5)
<hr/>					
1)	Homologationtype			+ 4412 + 4422 + 4432	
<hr/>					
2)	Remarks			142dts.	
<hr/>					
3)	machine no.	4412		up to CT4412273	
	machine no.	4422		up to CT4421695	
	machine no.	4432		up to CT4431908	
<hr/>					
4)	machine no.	4412		from CT4412274	
	machine no.	4422		from CT4421696	
	machine no.	4432		from CT4431909	
<hr/>					
5)	machine no.	4412		from CT4411801	
	machine no.	4422		from CT4421535	
	machine no.	4432		from CT4431629	
	Remarks			HM 10x150 - 40	



220 FLYWHEEL 1)

Pos.	Part No.	Description	Dimension	Quantity	Conditions
1	77 0005 558 5	FLYWHEEL		1	
2	77 0004 728 5	TOOTHED RIM		1	2)
3	07 7062 062 3	BEARING-1 BALL		1	
4	77 0005 363 7	TORSION DAMPER		1	
5	77 0005 997 8	HEXAGON HEAD BOLT	M10X40	8	3)
6	77 0006 756 4	SCREW		6	4)
7	77 0006 758 7	WASHER		6	5)

1)	Homologationtype	+ 4322
2)	Remarks	142dts.
3)	Remarks	M10x150-40
4)	Remarks	HM12X175-80
5)	Remarks	13.5X20.6X1.5



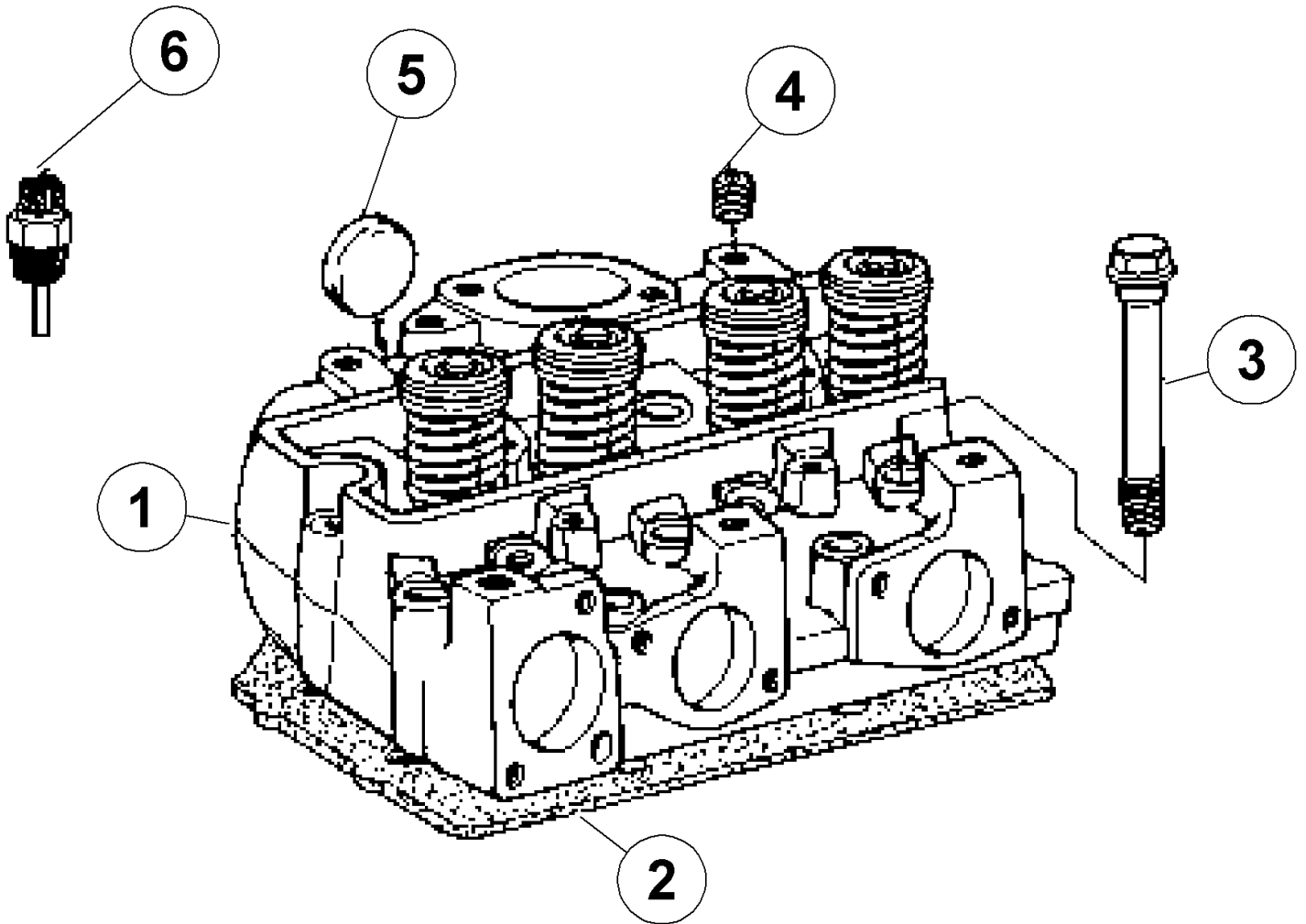
Suggest:

For more complete manuals. Please go to the home page.

<https://www.ebooklibonline.com>

If the above button click is invalid. Please download this document first, and then click the above link to download the complete manual.

Thank you so much for reading



100 CYLINDER HEAD

Pos.	Part No.	Description	Dimension	Quantity	Conditions
1	60 0502 149 0	CYLINDER HEAD		1	
2	60 0502 149 1	CYLINDER HEAD GASKET		1	
3	60 0501 288 6	SCREW		26	
4	60 0502 144 0	LOCK		1	
5	60 0501 288 3	LOCK		1	1)
5	60 0502 149 2	PLUG		3	2)
6	60 0501 344 2	SENDER UNIT		1	
1)	Remarks		DI.32,6		
2)	Remarks		DI.43,4		

<https://www.ebooklibonline.com>

Hello dear friend!

Thank you very much for reading.

Enter the link into your browser.

The full manual is available for immediate download.

<https://www.ebooklibonline.com>