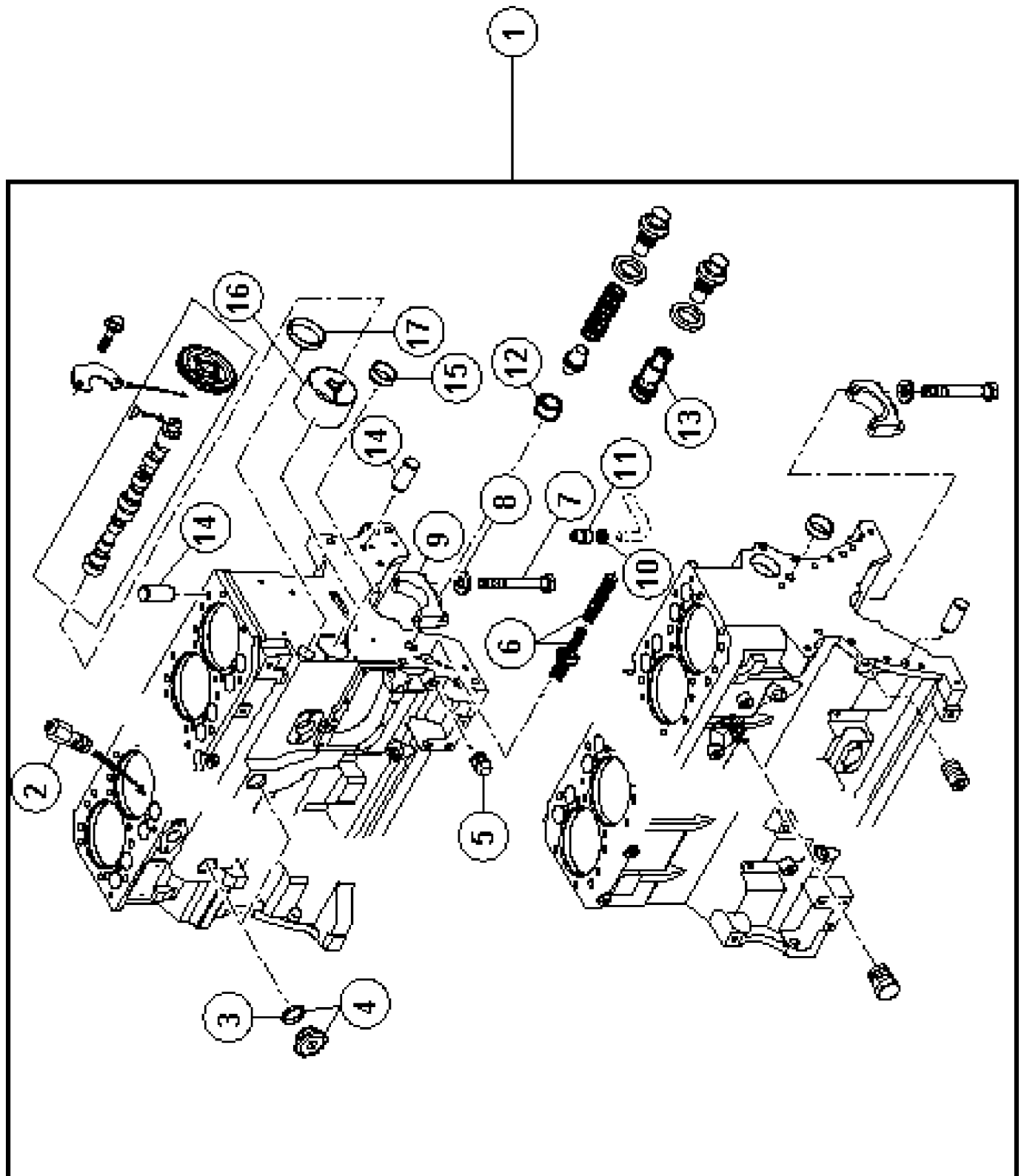


010 COMPLETE ENGINE

| Pos. | Part No. | Description | Dimension | Quantity | Conditions |
|-----------|-------------------------|-------------|--|----------|------------|
| 1 | 77 0005 035 3 | ENGINE | | 1 | 1) |
| 1 | 77 0004 988 2 | ENGINE | | 1 | 2) |
| 1 | 77 0005 886 6 | ENGINE | | 1 | 3) |
| 1 | 77 0006 151 3 | ENGINE | | 1 | 4) |
| 1) | Homologationtype | | + 4422 ->PL.10.1.03.A | | |
| 2) | Equipment | 0P0601 | TIER 1 | | |
| | Homologationtype | 0P0780 | TA PHASE I + 4432 ->PL.10.1.03.A | | |
| 3) | Homologationtype | | + 4412 ->PL.10.1.03.A | | |
| 4) | Equipment | 0P0602 | TIER 2 | | |
| | Homologationtype | 0P0782 | TA PHASE II + 4432 | | |



<https://www.ebooklibonline.com>

Hello dear friend!

Thank you very much for reading.

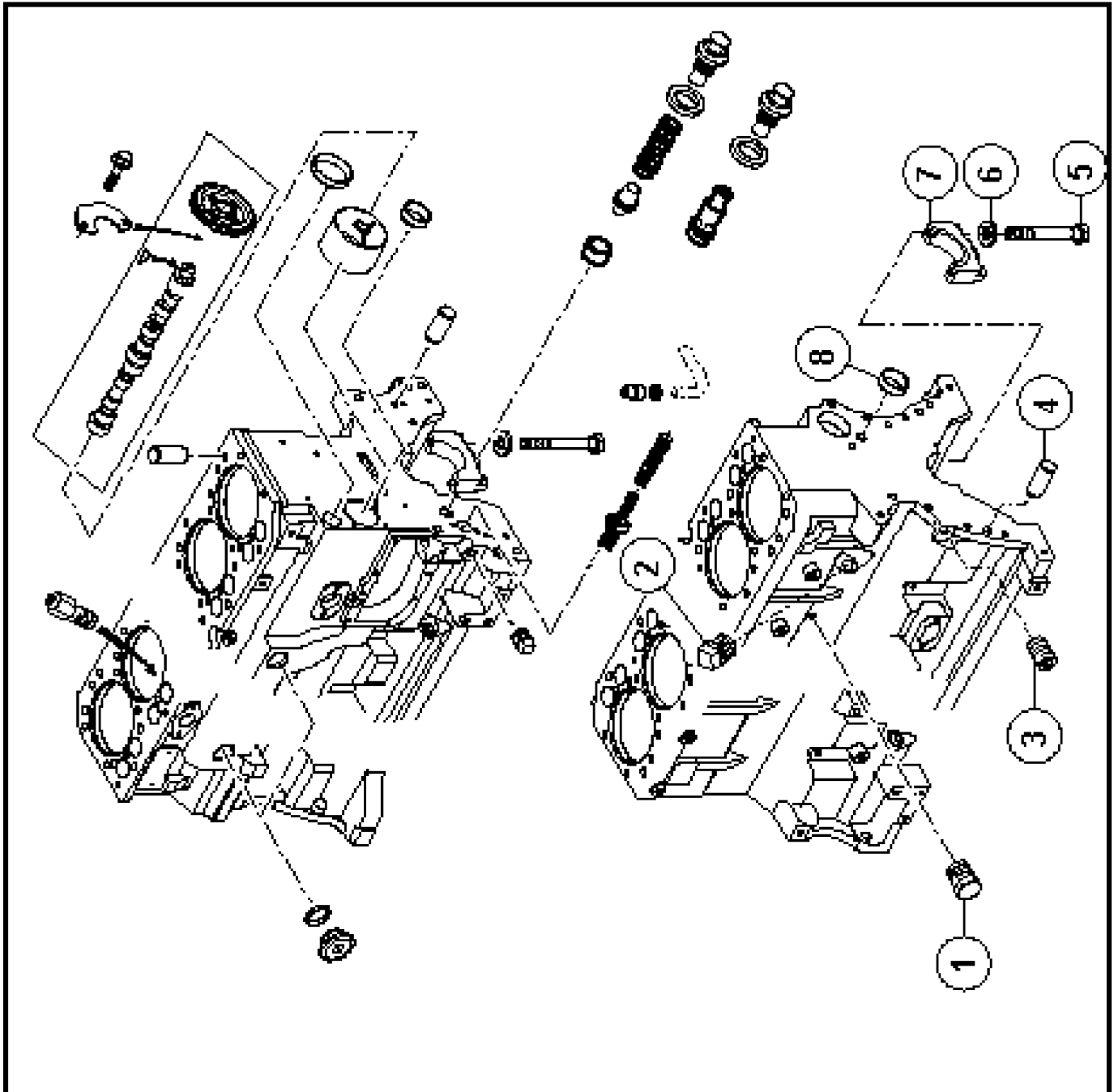
Enter the link into your browser.

The full manual is available for immediate download.

<https://www.ebooklibonline.com>

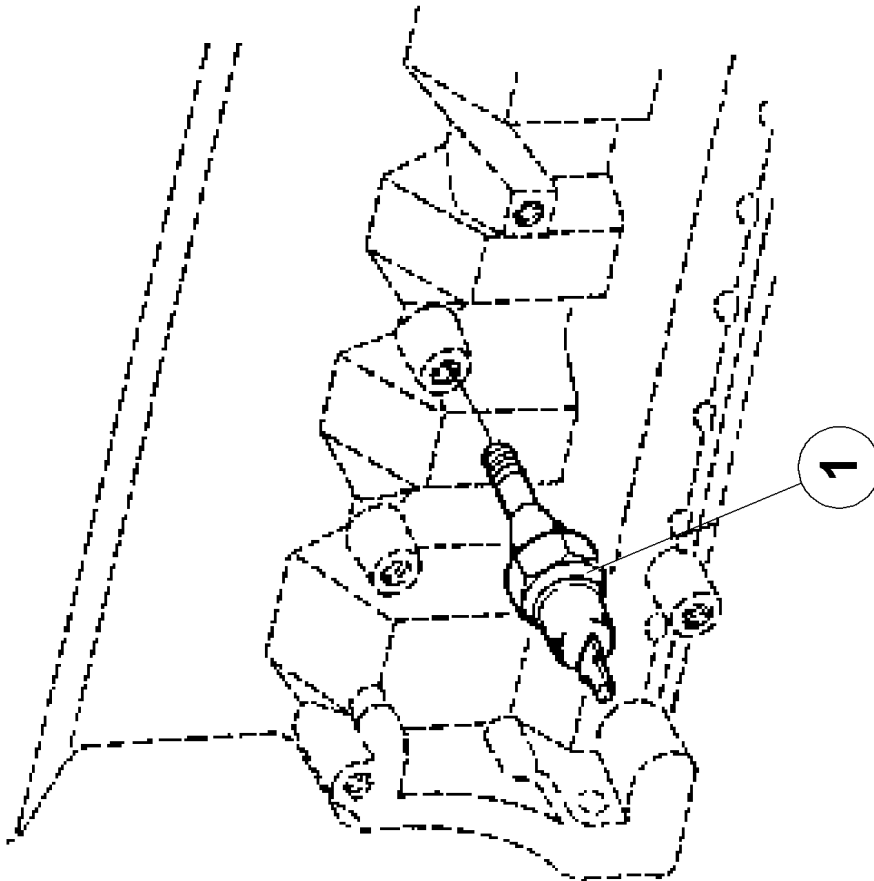
100 CRANKCASE 1)

| Pos. | Part No. | Description | Dimension | Quantity | Conditions |
|-----------|-------------------------|------------------------|--|----------|------------|
| 1 | FA-CONSIGN ES | Consignes - CS | | 1 | |
| - | | <i>Please order!</i> | | | |
| | 60 0502 339 2 | SEAL KIT | | 1,000 | |
| | 60 0502 866 8 | SCREW | | 1,000 | |
| | 60 0503 033 2 | SHORT BLOCK | | 1,000 | |
| | 60 0503 045 1 | SPACER | | 1,000 | |
| | 60 0503 053 1 | CRANKSHAFT PULLEY | | 1,000 | |
| 2 | 60 0502 143 6 | SPRAY NOZZLE | | 6 | |
| 3 | 60 0502 339 4 | O-RING | | 2 | |
| 4 | 60 0502 905 2 | PLUG | | 2 | |
| 5 | 60 0501 320 2 | LOCK | | 1 | |
| 6 | 60 0501 402 9 | VALVE | | 1 | |
| 7 | 60 0501 320 6 | SCREW | | 12 | |
| 8 | 60 0502 143 7 | WASHER | 13X22X2,5 | 12 | |
| 9 | 60 0502 143 8 | COVER | | 6 | |
| 10 | 60 0501 334 1 | O-RING | | 1 | |
| 11 | 60 0501 597 2 | BUSHING | | 1 | |
| 12 | 60 0501 319 9 | BUSHING | | 1 | 2) |
| 13 | 60 0502 869 1 | VALVE | | 1 | 3) |
| 14 | 60 0501 319 6 | CENTRING PIN | | 2 | |
| 15 | 60 0501 319 8 | BLANKING COVER | | 1 | |
| 16 | 60 0501 294 1 | BEARING | | 1 | |
| 17 | 60 0502 143 9 | BLANKING COVER | | 1 | |
| 1) | Homologationtype | | + 4412 + 4422 | | |
| 2) | Motor | 6068HRT51 6068TRT52 | up to CD6068H663165 up to CD6068T663165 | | |
| 3) | Motor | 6068HRT51 6068TRT52 | from CD6068H663166 from CD6068T663166 | | |



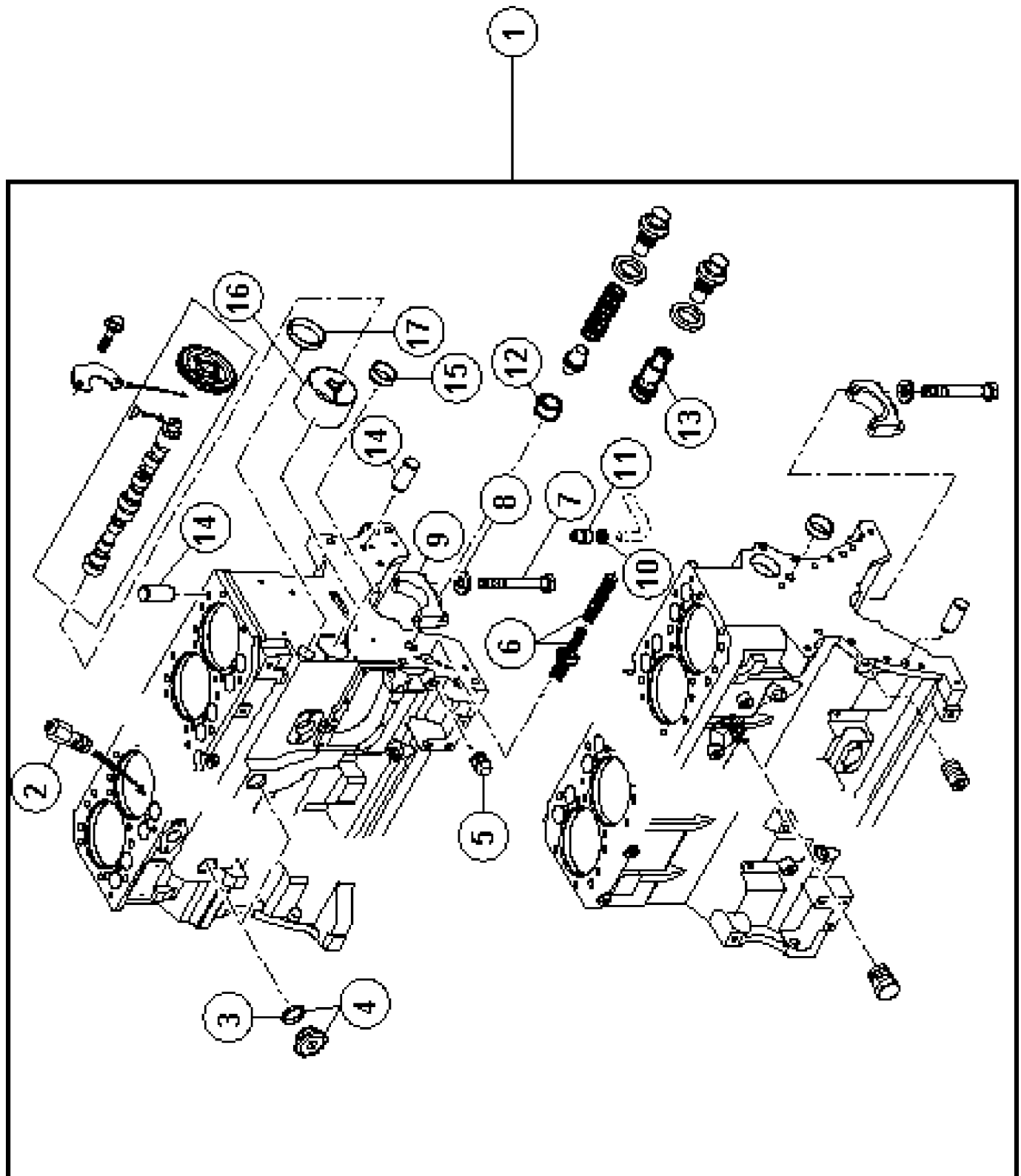
100 CRANKCASE 1)

| Pos. | Part No. | Description | Dimension | Quantity | Conditions |
|-------------|-------------------------|--------------------|------------------|-----------------|-------------------|
| 1 | 60 0502 665 3 | PLUG | | 1 | |
| 2 | 60 0501 321 0 | PLUG | | 1 | |
| 3 | 60 0502 144 0 | LOCK | | 5 | |
| 4 | 60 0501 317 4 | CENTRING PIN | | 2 | |
| 5 | 60 0501 320 6 | SCREW | | 2 | |
| 6 | 60 0502 143 7 | WASHER | 13X22X2,5 | 2 | |
| 7 | 60 0502 144 1 | COVER | | 1 | |
| 8 | 60 0501 319 8 | BLANKING COVER | | 1 | |
| <hr/> | | | | | |
| 1) | Homologationtype | | | + 4412 | |
| | | | | + 4422 | |



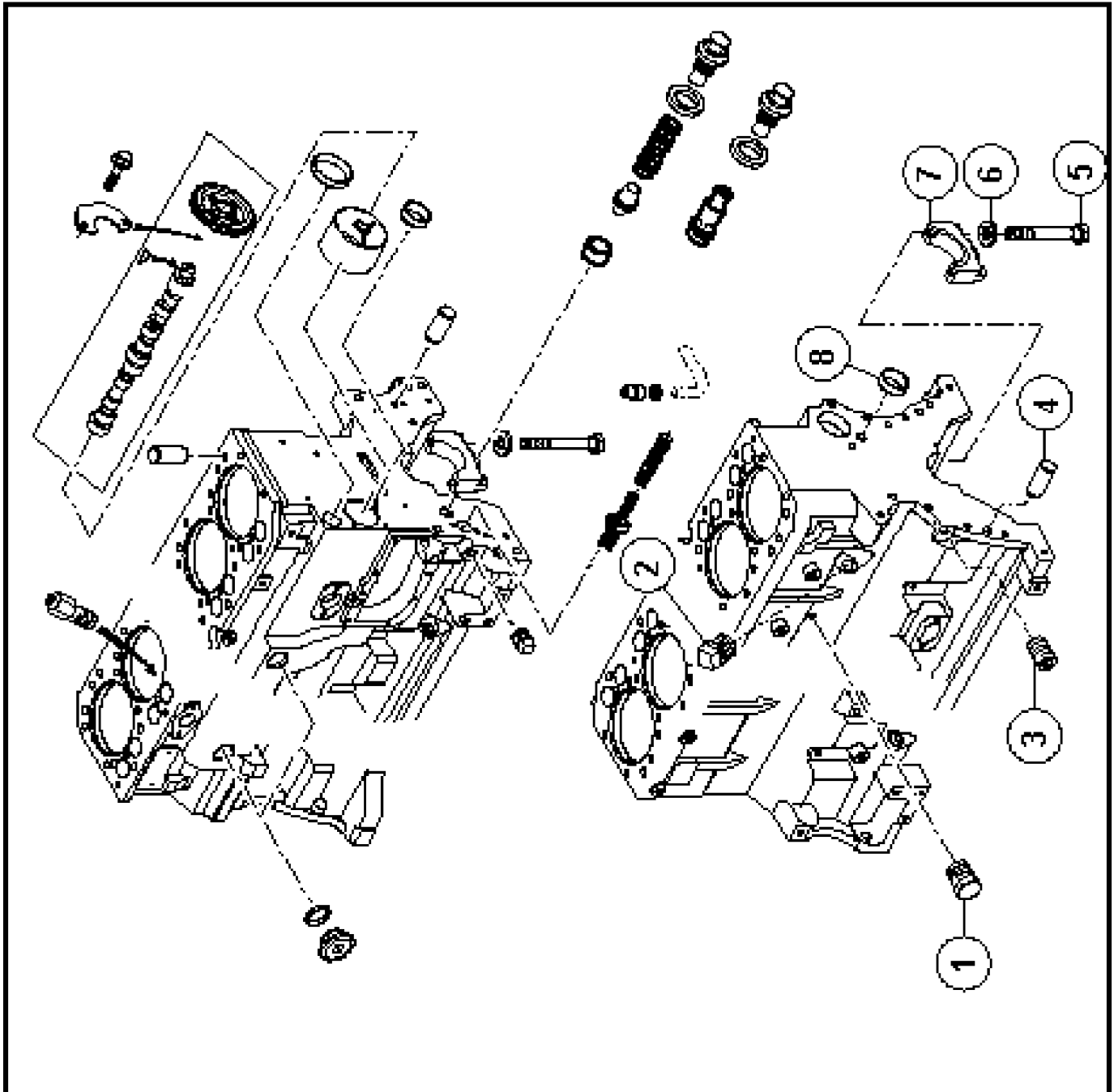
100 CRANKCASE 1)

| Pos. | Part No. | Description | Dimension | Quantity | Conditions |
|-----------|-------------------------|-------------|------------------|----------|------------|
| 1 | 60 0501 342 7 | TRANSMITTER | | 1 | |
| 1) | Homologationtype | | + 4412 + 4422 | | |



100 CRANKCASE 1)

| Pos. | Part No. | Description | Dimension | Quantity | Conditions |
|-----------|-------------------------|----------------------|----------------------|----------|------------|
| 1 | FA-CONSIGN ES | Consignes - CS | | 1 | |
| - | | <i>Please order!</i> | | | |
| | 60 0502 339 2 | SEAL KIT | | 1,000 | |
| | 60 0502 866 8 | SCREW | | 1,000 | |
| | 60 0503 033 2 | SHORT BLOCK | | 1,000 | |
| | 60 0503 045 1 | SPACER | | 1,000 | |
| | 77 0006 623 3 | ANTI-VIBRATION WHEEL | | 1,000 | |
| 2 | 60 0502 143 6 | SPRAY NOZZLE | | 6 | |
| 3 | 60 0502 339 4 | O-RING | | 2 | |
| 4 | 60 0502 905 2 | PLUG | | 2 | |
| 5 | 60 0501 320 2 | LOCK | | 1 | |
| 6 | 60 0501 402 9 | VALVE | | 1 | |
| 7 | 60 0501 320 6 | SCREW | | 12 | |
| 8 | 60 0502 143 7 | WASHER | 13X22X2,5 | 12 | |
| 9 | 60 0502 143 8 | COVER | | 6 | |
| 10 | 60 0501 334 1 | O-RING | | 1 | |
| 11 | 60 0501 597 2 | BUSHING | | 1 | |
| 12 | 60 0501 319 9 | BUSHING | | 1 | 2) |
| 13 | 60 0502 869 1 | VALVE | | 1 | 3) |
| 14 | 60 0501 319 6 | CENTRING PIN | | 2 | |
| 15 | 60 0501 319 8 | BLANKING COVER | | 1 | |
| 16 | 60 0501 294 1 | BEARING | | 1 | |
| 17 | 60 0502 143 9 | BLANKING COVER | | 1 | |
| 1) | Equipment | 0P0601 | TIER 1 | | |
| | Homologationtype | 0P0780 | TA PHASE I + 4432 | | |
| 2) | Motor | 6068HRT52 | up to CD6068H663165 | | |
| 3) | Motor | 6068HRT52 | from CD6068H663166 | | |



100 CRANKCASE 1)

| Pos. | Part No. | Description | Dimension | Quantity | Conditions |
|------|----------------------|----------------|-----------|----------|------------|
| 1 | 60 0502 665 3 | PLUG | | 1 | |
| 2 | 60 0501 321 0 | PLUG | | 1 | |
| 3 | 60 0502 144 0 | LOCK | | 5 | |
| 4 | 60 0501 317 4 | CENTRING PIN | | 2 | |
| 5 | 60 0501 320 6 | SCREW | | 2 | |
| 6 | 60 0502 143 7 | WASHER | 13X22X2,5 | 2 | |
| 7 | 60 0502 144 1 | COVER | | 1 | |
| 8 | 60 0501 319 8 | BLANKING COVER | | 1 | |

1) Equipment

0P0601

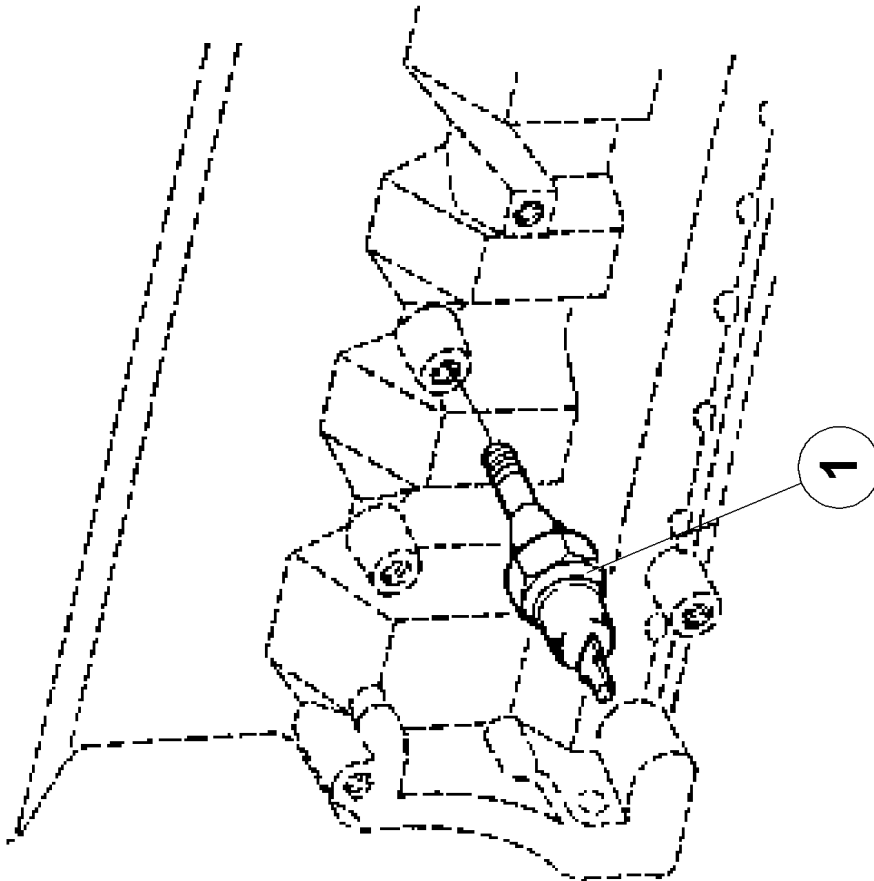
TIER 1

Homologationtype

0P0780

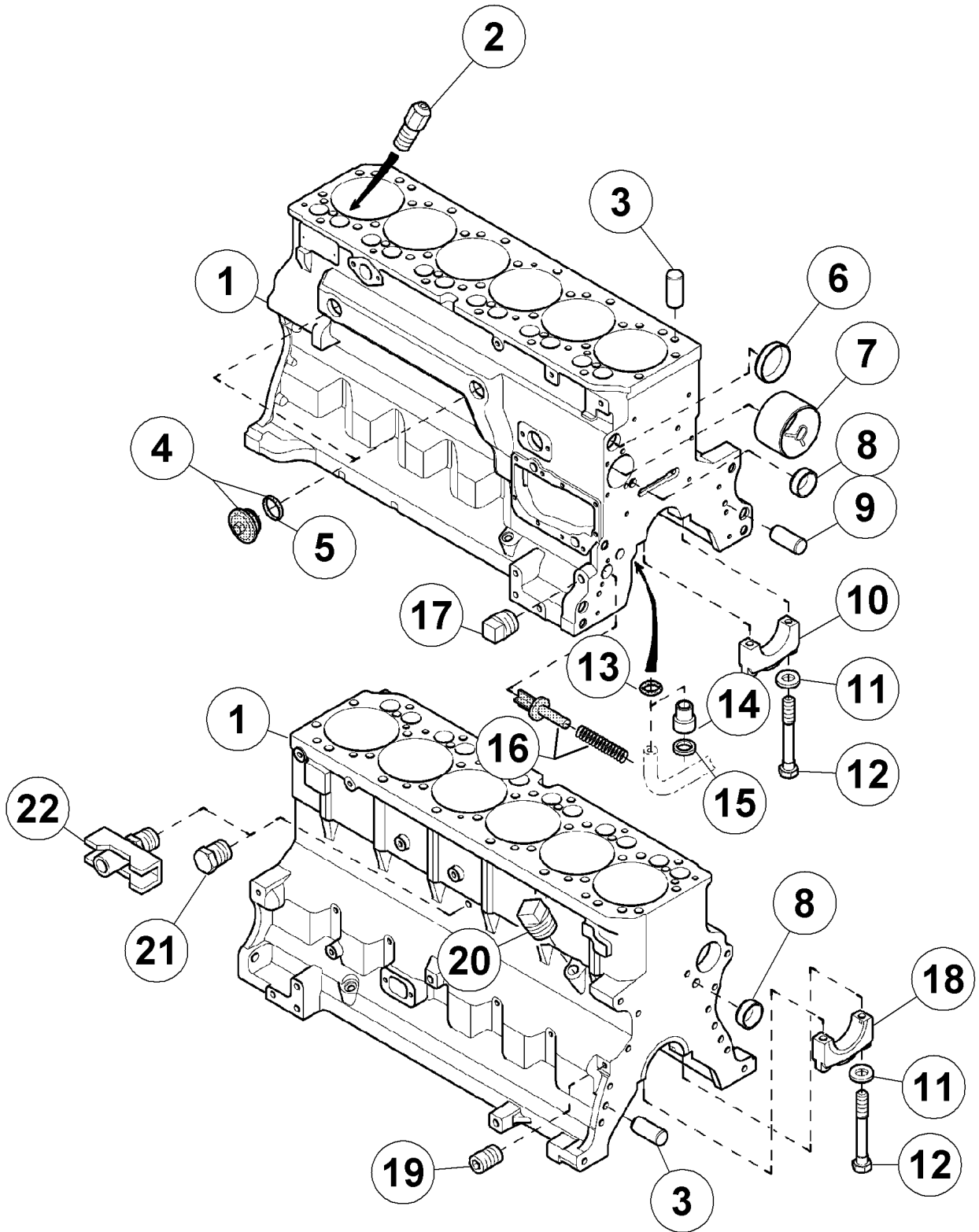
TA PHASE I

+ 4432



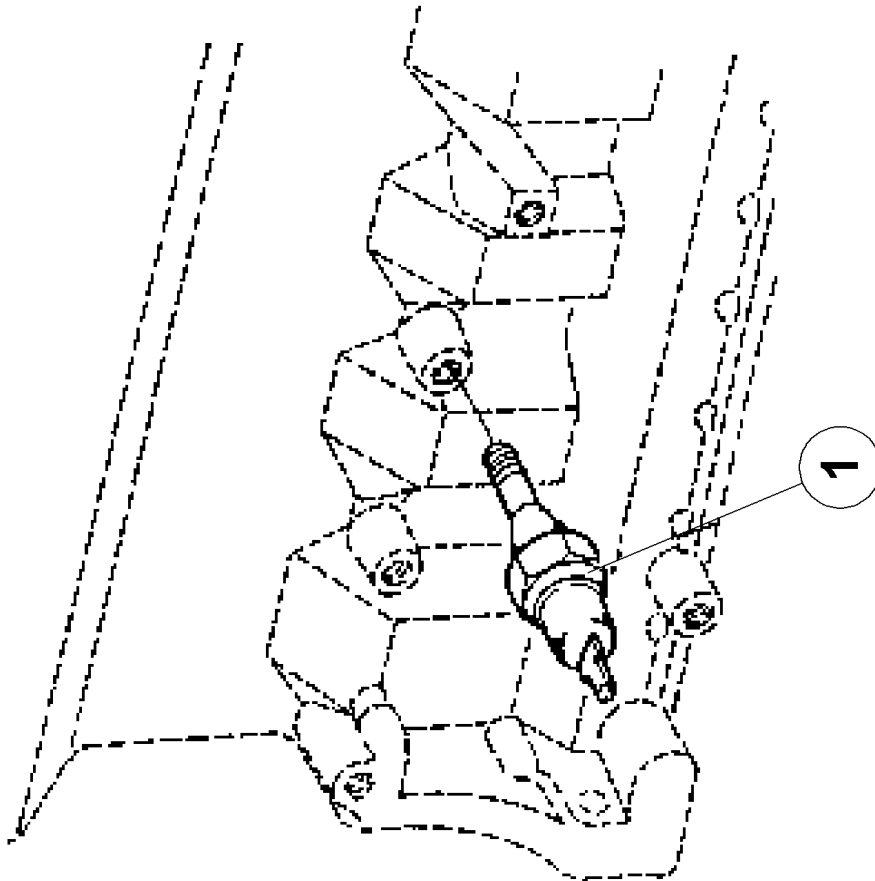
100 CRANKCASE 1)

| Pos. | Part No. | Description | Dimension | Quantity | Conditions |
|-----------|-------------------------|-------------|----------------------|----------|------------|
| 1 | 60 0501 342 7 | TRANSMITTER | | 1 | |
| 1) | Equipment | | | | |
| | | OP0601 | TIER 1 | | |
| | Homologationtype | OP0780 | TA PHASE I + 4432 | | |



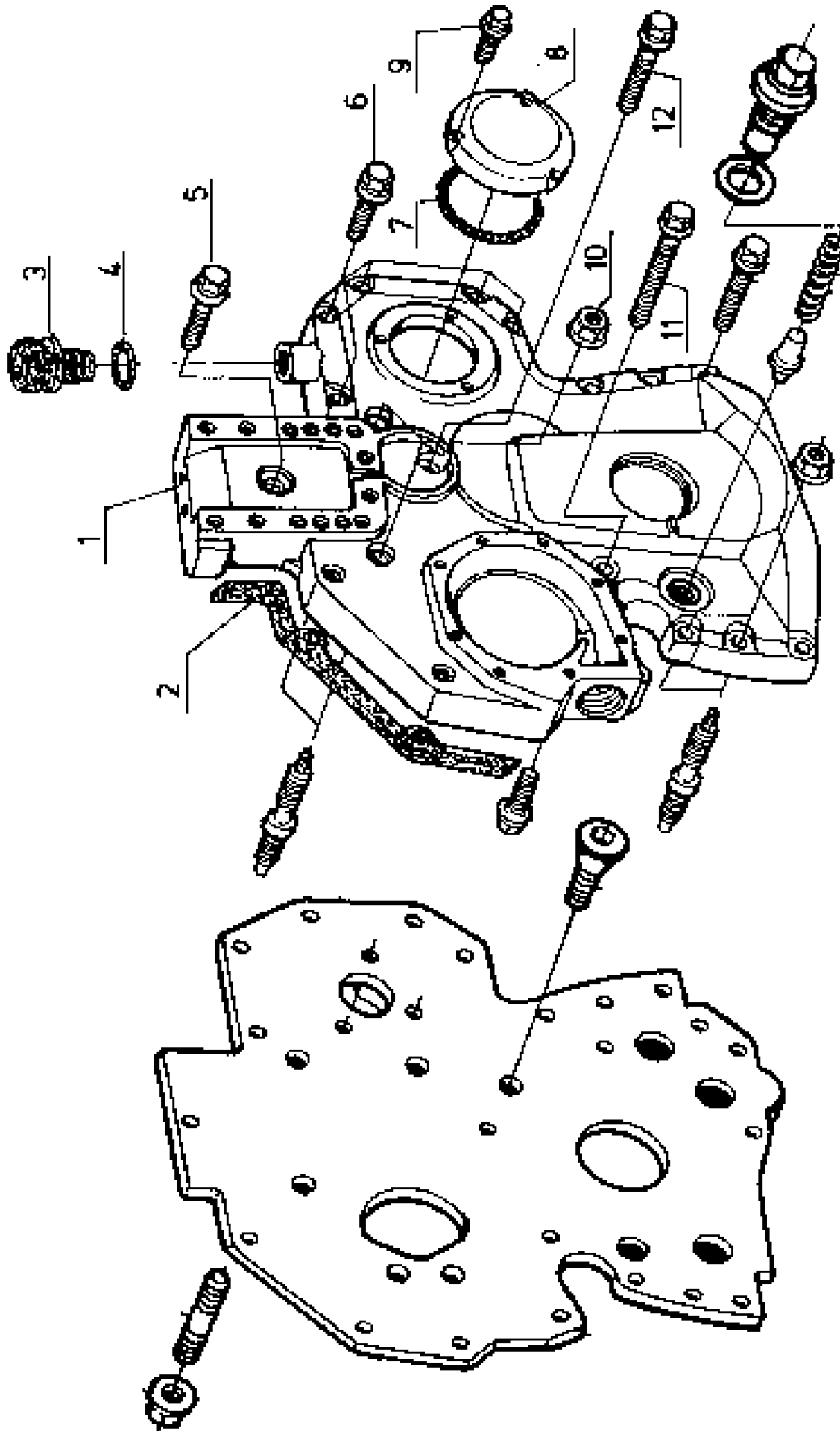
100 CRANKCASE 1)

| Pos. | Part No. | Description | Dimension | Quantity | Conditions |
|-------------------------|----------------------|--|-----------|-------------|------------|
| 1 | FA-CONSIGN ES | Consignes - CS | | 1 | |
| - | | <i>Please order!</i> <i>60 0503 025 9 SHORT BLOCK</i> | | 1,000 | |
| 2 | 60 0502 143 6 | SPRAY NOZZLE | | 6 | |
| 3 | 60 0501 317 4 | CENTRING PIN | | 4 | |
| 4 | 60 0502 905 2 | PLUG | | 1 | |
| 5 | 60 0502 339 4 | O-RING | | 1 | |
| 6 | 60 0502 143 9 | BLANKING COVER | | 1 | |
| 7 | 60 0501 294 1 | BEARING | | 1 | |
| 8 | 60 0501 319 8 | BLANKING COVER | | 2 | |
| 9 | 60 0501 319 6 | CENTRING PIN | | 2 | |
| 10 | 60 0502 143 8 | COVER | | 6 | |
| 11 | 60 0502 143 7 | WASHER | 13X22X2,5 | 6 | |
| 12 | 60 0501 320 6 | SCREW | | 14 | |
| 13 | 60 0501 320 3 | O-RING | | 1 | |
| 14 | 60 0501 597 2 | BUSHING | | 1 | |
| 15 | 60 0501 334 1 | O-RING | | 1 | |
| 16 | 60 0501 402 9 | VALVE | | 1 | |
| 17 | 60 0501 320 2 | LOCK | | 1 | |
| 18 | 60 0502 144 1 | COVER | | 1 | |
| 19 | 60 0502 144 0 | LOCK | | 7 | |
| 20 | 60 0501 321 0 | PLUG | | 1 | |
| 21 | 60 0502 665 3 | PLUG | | 1 | |
| 22 | 60 0501 320 7 | VALVE | | 1 | |
| 1) Equipment | | | | | |
| | | OP0602 | | TIER 2 | |
| Homologationtype | | OP0782 | | TA PHASE II | |
| | | | | + 4432 | |



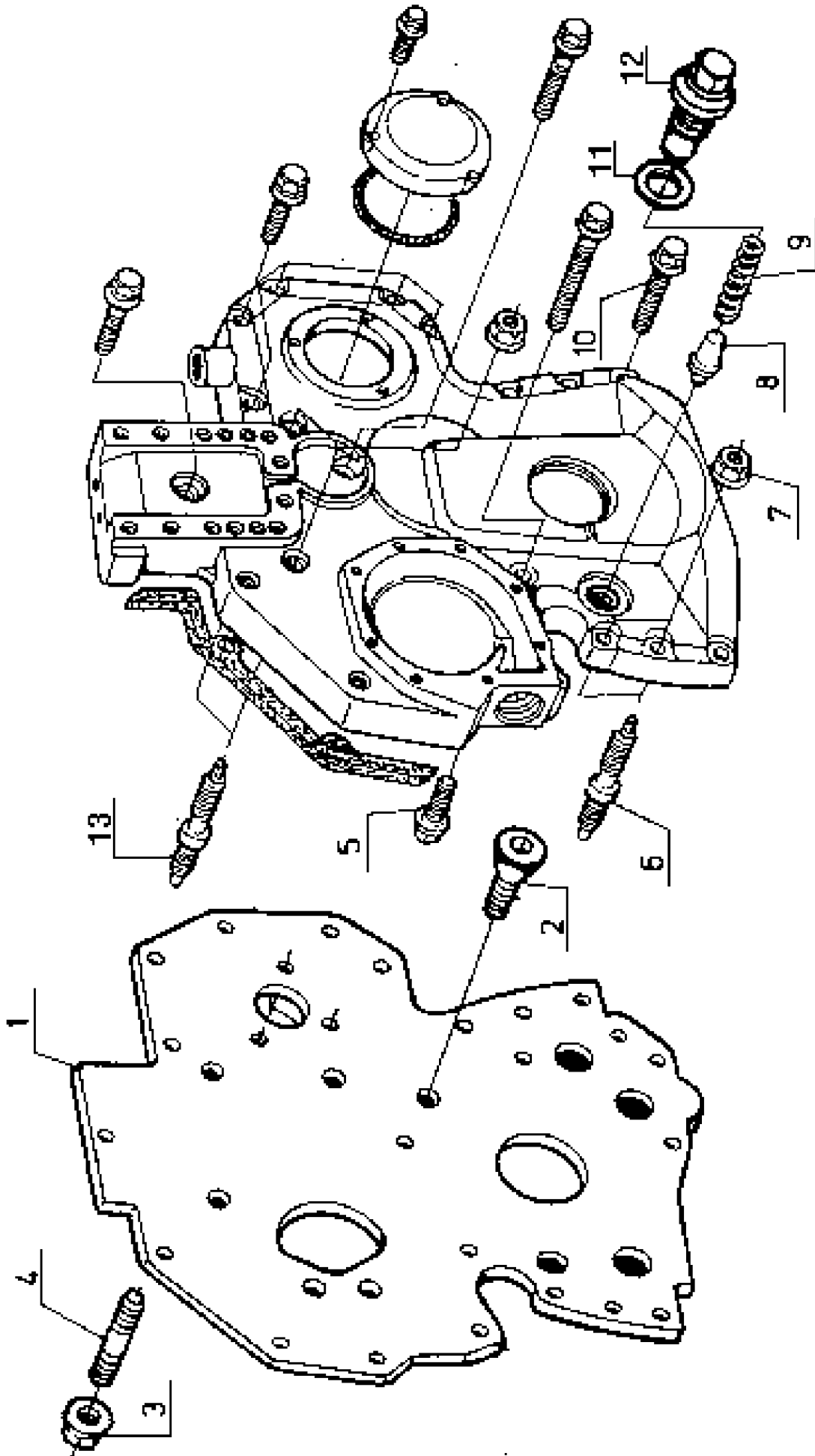
100 CRANKCASE 1)

| Pos. | Part No. | Description | Dimension | Quantity | Conditions |
|-----------|-------------------------|-------------|-----------------------|----------|------------|
| 1 | 60 0501 342 7 | TRANSMITTER | | 1 | |
| 1) | Equipment | | | | |
| | | OP0602 | TIER 2 | | |
| | Homologationtype | OP0782 | TA PHASE II + 4432 | | |



120 TIMING CASE 1)

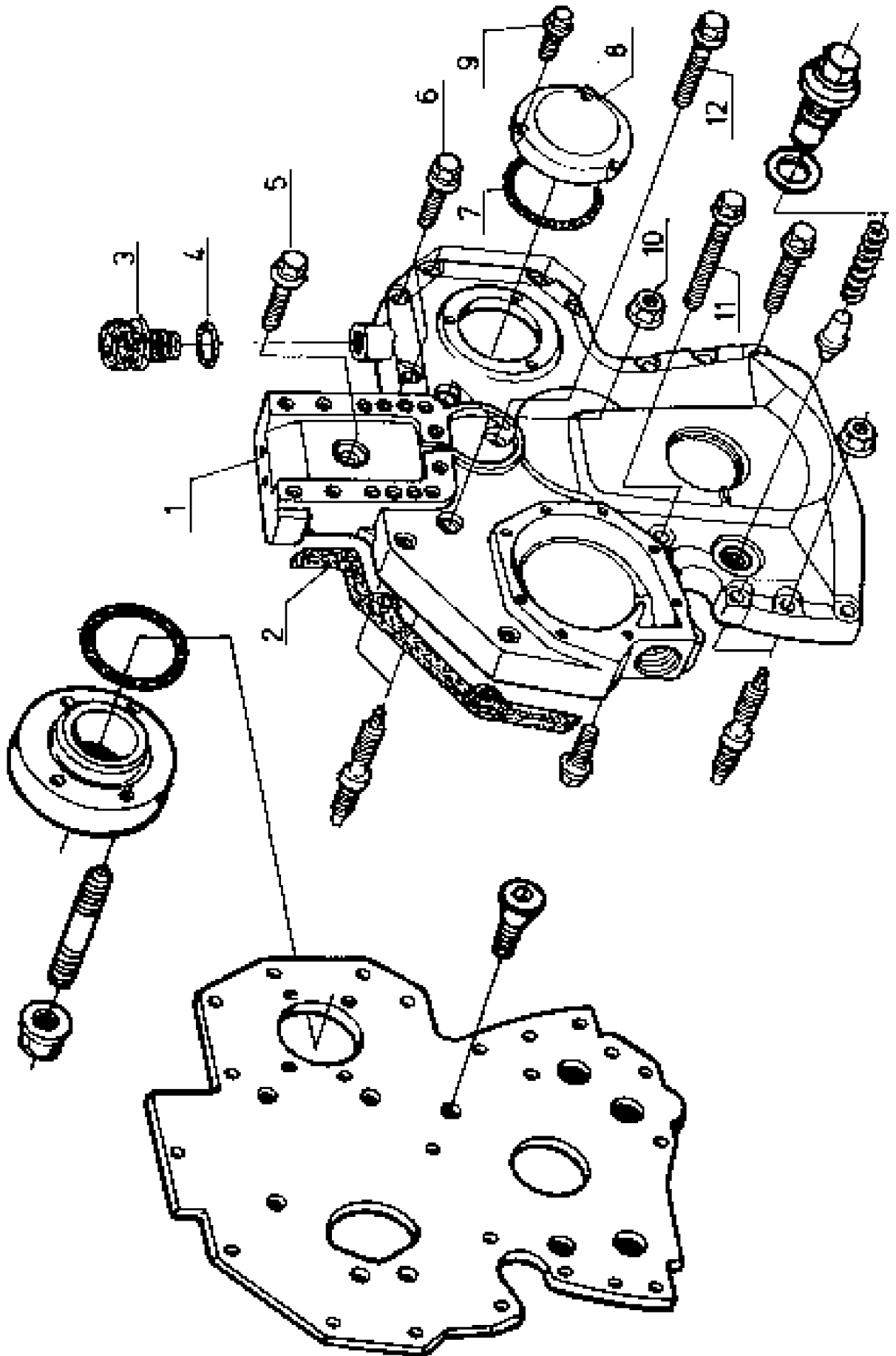
| Pos. | Part No. | Description | Dimension | Quantity | Conditions |
|-----------|-------------------------|---|----------------------------|----------|------------|
| 1 | FA-CONSIGN ES | Consignes - CS | | 1 | |
| - | | <i>Please order!</i> 60 0502 869 0 HOUSING | | 1,000 | |
| 2 | 60 0502 144 3 | GASKET | | 1 | |
| 3 | 60 0502 895 5 | SCREW PLUG | F-M20X1,5 | 1 | |
| 4 | 77 0002 464 6 | O-RING | 17X2-N ERS.D. 0238209.0 | 1 | |
| 5 | 60 0502 144 4 | SCREW | M8X35 | 1 | |
| 6 | 60 0502 144 5 | SCREW | M8X45 | 6 | |
| 7 | 60 0502 144 6 | O-RING | | 1 | |
| 8 | 60 0502 144 7 | COVER | | 1 | |
| 9 | 60 0502 144 8 | SCREW | M6X16 | 3 | |
| 10 | 60 0502 144 9 | NUT | | 6 | |
| 11 | 60 0502 145 0 | SCREW | M08X60 | 1 | |
| 12 | 60 0502 339 6 | SCREW | | 1 | |
| 1) | Homologationtype | | + 4412 | | |
| | Motor | 6068HRT51 | + 4422 | | |
| | | 6068TRT52 | up to CD6068H693156 | | |
| | | | up to CD6068T693156 | | |



120 TIMING CASE 1)

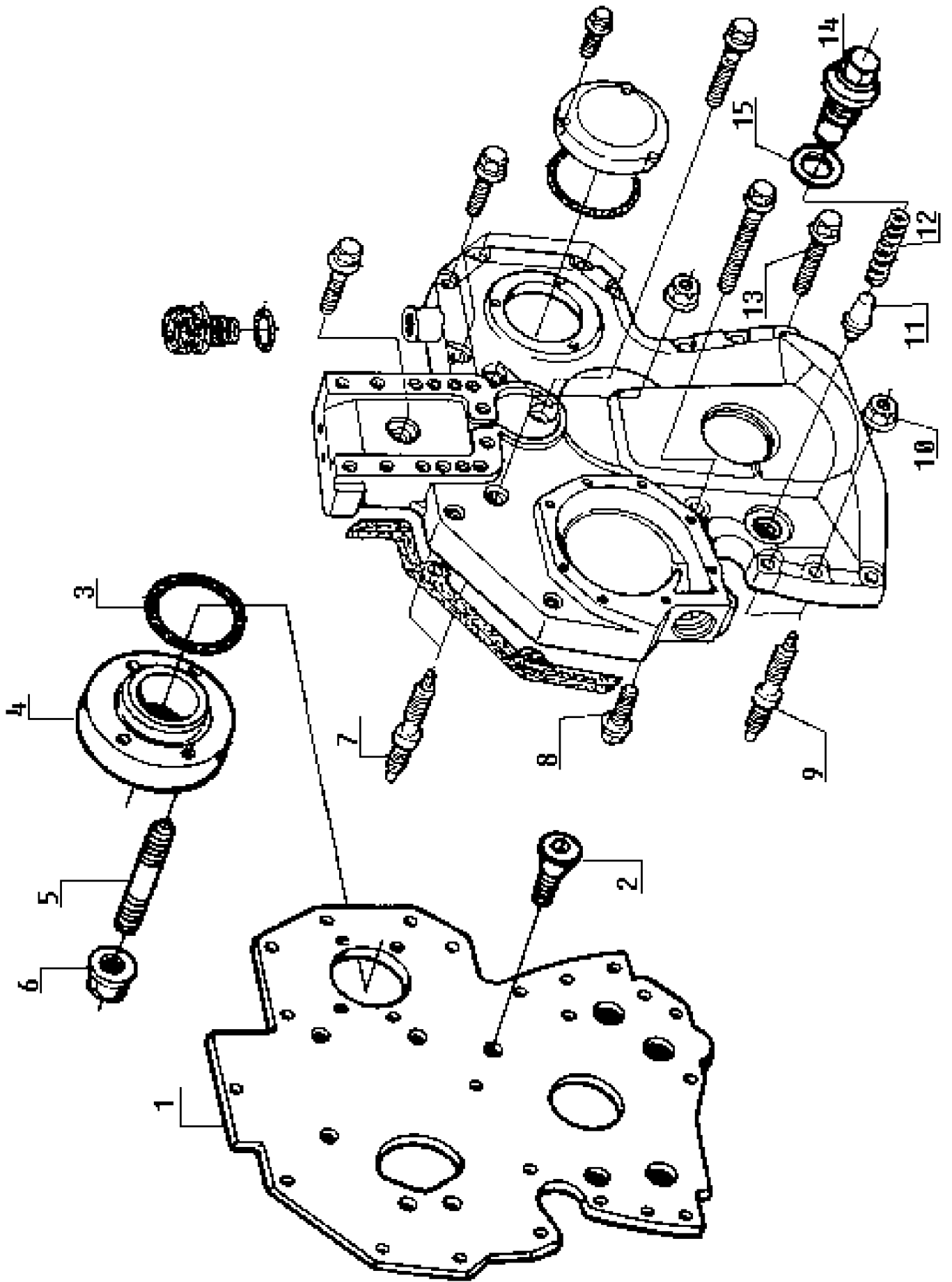
| Pos. | Part No. | Description | Dimension | Quantity | Conditions |
|------|----------------------|-------------|-----------|----------|------------|
| 1 | 60 0502 145 2 | PLATE | | 1 | |
| 2 | 60 0502 339 7 | SCREW | | 4 | |
| 3 | 60 0502 145 4 | FLANGE NUT | M08 | 3 | |
| 4 | 60 0502 145 5 | STUD BOLT | | 3 | |
| 5 | 60 0502 145 6 | SCREW | M8X25 | 1 | |
| 6 | 60 0502 145 7 | STUD BOLT | | 4 | |
| 7 | 60 0502 144 9 | NUT | | 6 | |
| 8 | 60 0501 277 5 | VALVE | | 1 | |
| 9 | 60 0501 277 4 | SPRING | | 1 | |
| 10 | 60 0502 145 8 | SCREW | | 2 | |
| 11 | 60 0501 277 2 | WASHER | | 1 | |
| 12 | 60 0501 277 1 | SCREW | | 1 | |
| 13 | 60 0502 339 8 | STUD BOLT | | 2 | |

| | | | |
|-----------|-------------------------|-----------|---------------------|
| 1) | Homologationtype | | + 4412 |
| | Motor | | + 4422 |
| | | 6068HRT51 | up to CD6068H693156 |
| | | 6068TRT52 | up to CD6068T693156 |



120 TIMING CASE 1)

| Pos. | Part No. | Description | Dimension | Quantity | Conditions |
|-------------------------|----------------------|-------------|----------------------------|----------|------------|
| 1 | 60 0502 144 2 | HOUSING | | 1 | |
| 2 | 60 0502 144 3 | GASKET | | 1 | |
| 3 | 60 0502 895 5 | SCREW PLUG | F-M20X1,5 | 1 | |
| 4 | 77 0002 464 6 | O-RING | 17X2-N ERS.D. 0238209.0 | 1 | |
| 5 | 60 0502 144 4 | SCREW | M8X35 | 1 | |
| 6 | 60 0502 144 5 | SCREW | M8X45 | 6 | |
| 7 | 60 0502 144 6 | O-RING | | 1 | |
| 8 | 60 0502 144 7 | COVER | | 1 | |
| 9 | 60 0502 144 8 | SCREW | M6X16 | 3 | |
| 10 | 60 0502 144 9 | NUT | | 6 | |
| 11 | 60 0502 145 0 | SCREW | M08X60 | 1 | |
| 12 | 60 0502 339 6 | SCREW | | 1 | |
| 1) Equipment | | | | | |
| | | 0P0601 | TIER 1 | | |
| Homologationtype | | 0P0780 | TA PHASE I + 4432 | | |

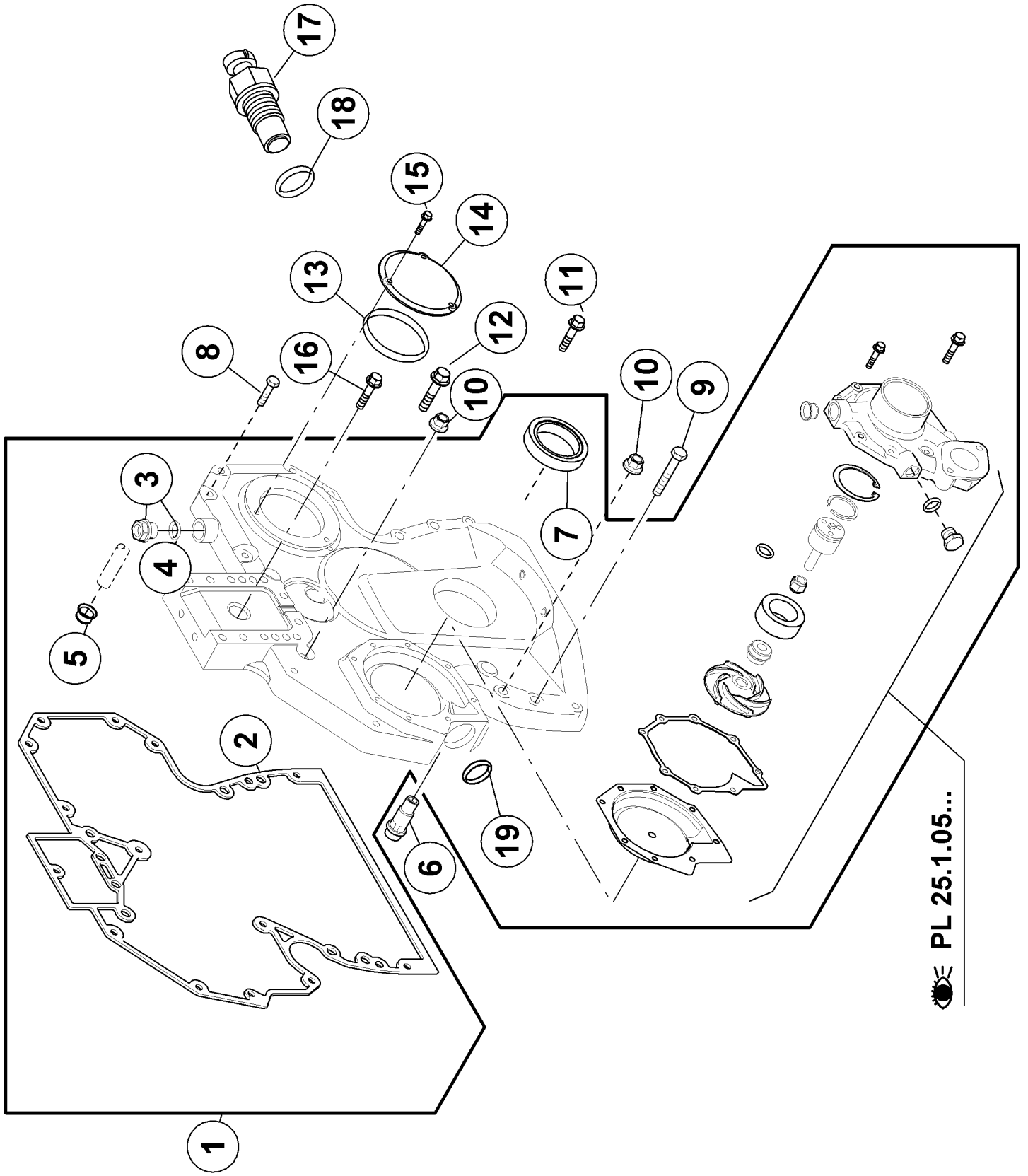


120 TIMING CASE 1)

| Pos. | Part No. | Description | Dimension | Quantity | Conditions |
|------|----------------------|-------------|-----------|----------|------------|
| 1 | 60 0502 339 9 | PLATE | | 1 | |
| 2 | 60 0502 339 7 | SCREW | | 4 | |
| 3 | 60 0502 340 0 | O-RING | | 1 | |
| 4 | 60 0502 340 1 | FLANGE | | 1 | |
| 5 | 60 0502 340 2 | STUD BOLT | | 4 | |
| 6 | 60 0502 144 9 | NUT | | 4 | |
| 7 | 60 0502 339 8 | STUD BOLT | | 2 | |
| 8 | 60 0502 145 6 | SCREW | M8X25 | 1 | |
| 9 | 60 0502 145 7 | STUD BOLT | | 4 | |
| 10 | 60 0502 144 9 | NUT | | 6 | |
| 11 | 60 0501 277 5 | VALVE | | 1 | |
| 12 | 60 0501 277 4 | SPRING | | 1 | |
| 13 | 60 0502 145 8 | SCREW | | 2 | |
| 14 | 60 0501 277 1 | SCREW | | 1 | |
| 15 | 60 0501 277 2 | WASHER | | 1 | |

1) Equipment

| | | |
|-------------------------|--------|----------------------|
| | OP0601 | TIER 1 |
| Homologationtype | OP0780 | TA PHASE I + 4432 |



PL 25.1.05...

120 TIMING CASE 1)

| Pos. | Part No. | Description | Dimension | Quantity | Conditions |
|------|----------------------|--------------|----------------------------|----------|------------|
| 1 | 60 0502 869 0 | HOUSING | | 1 | |
| 2 | 60 0502 144 3 | GASKET | | 1 | |
| 3 | 60 0502 895 5 | SCREW PLUG | F-M20X1,5 | 1 | |
| 4 | 77 0002 464 6 | O-RING | 17X2-N ERS.D. 0238209.0 | 1 | |
| 5 | 60 0502 163 0 | SEALING RING | | 1 | |
| 6 | 60 0502 869 1 | VALVE | | 1 | |
| 7 | 60 0502 148 7 | SLEEVE | | 1 | |
| 8 | 60 0502 144 5 | SCREW | M8X45 | 6 | |
| 9 | 60 0502 145 8 | SCREW | | 2 | |
| 10 | 60 0502 144 9 | NUT | | 6 | |
| 11 | 60 0502 145 0 | SCREW | M08X60 | 1 | |
| 12 | 60 0502 339 6 | SCREW | | 1 | |
| 13 | 60 0502 144 6 | O-RING | | 1 | |
| 14 | 60 0502 144 7 | COVER | | 1 | |
| 15 | 60 0502 144 8 | SCREW | M6X16 | 3 | |
| 16 | 60 0502 144 4 | SCREW | M8X35 | 1 | |
| 17 | 77 0007 199 7 | SENSOR | | 1 | 2) |
| 18 | 77 0002 464 6 | O-RING | 17X2-N ERS.D. 0238209.0 | 1 | |

1) Equipment

0P0602

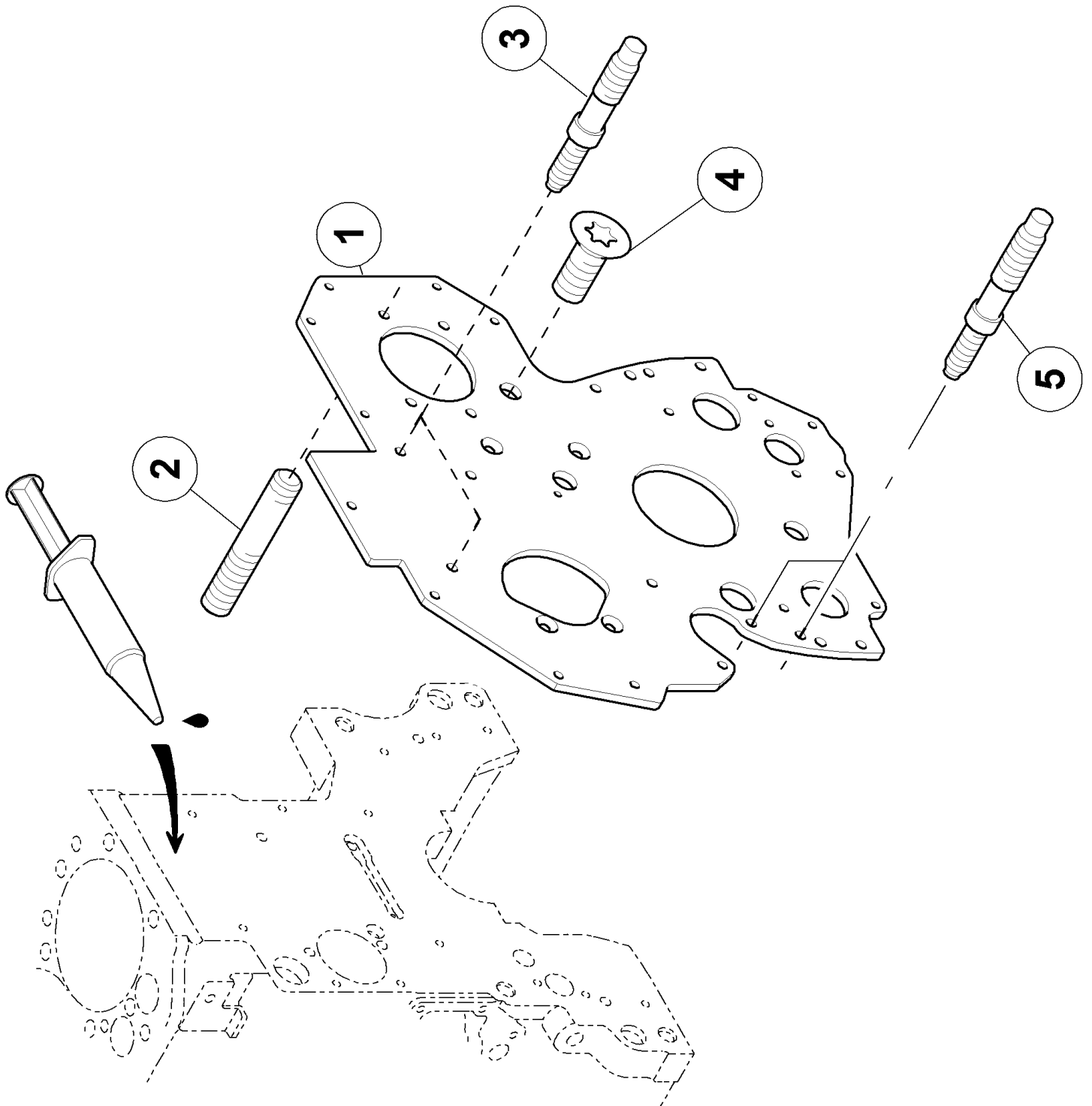
TIER 2

Homologationtype

0P0782

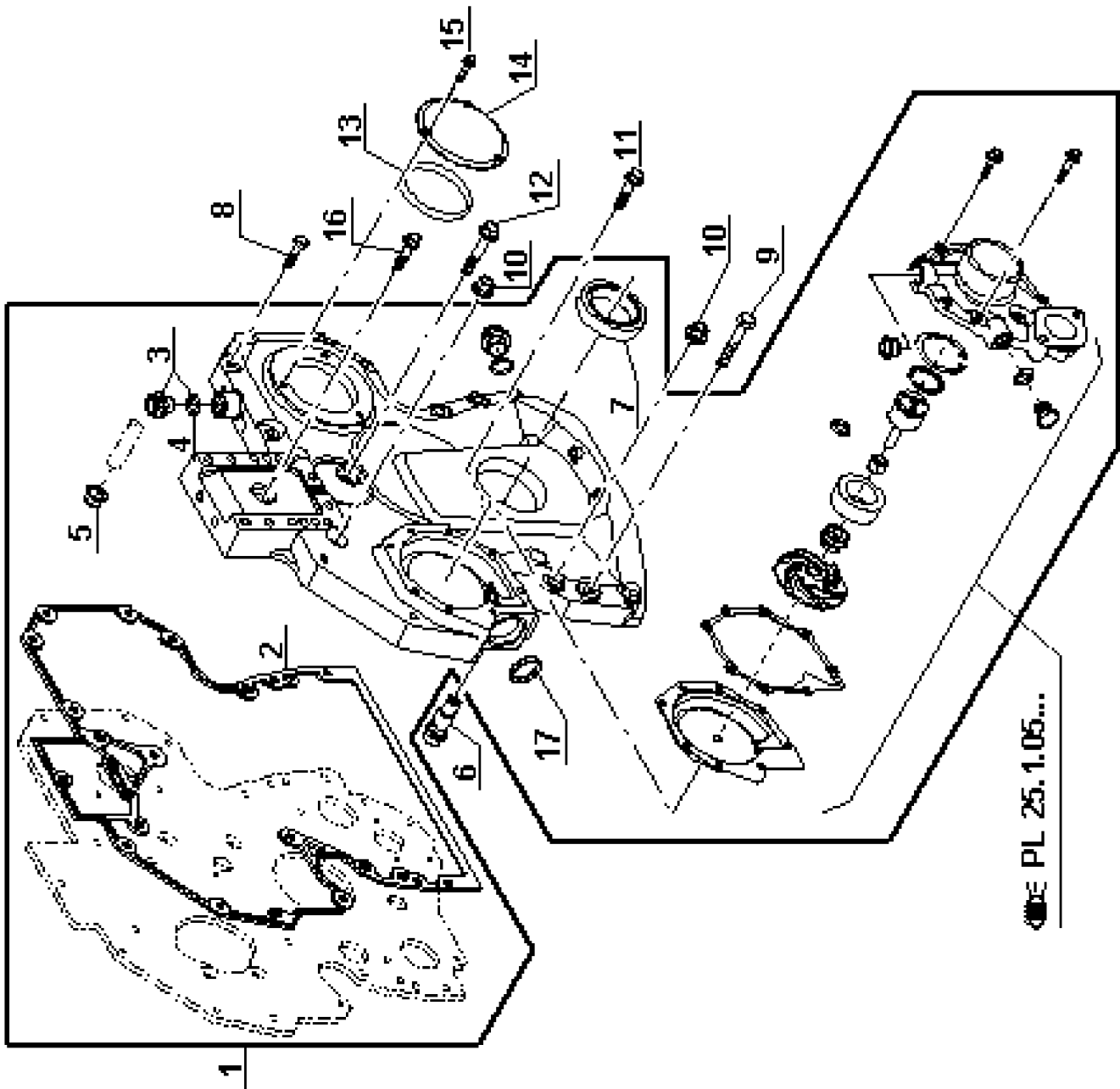
TA PHASE II
+ 4432**2) Remarks**

vitesse mot.



120 TIMING CASE 1)

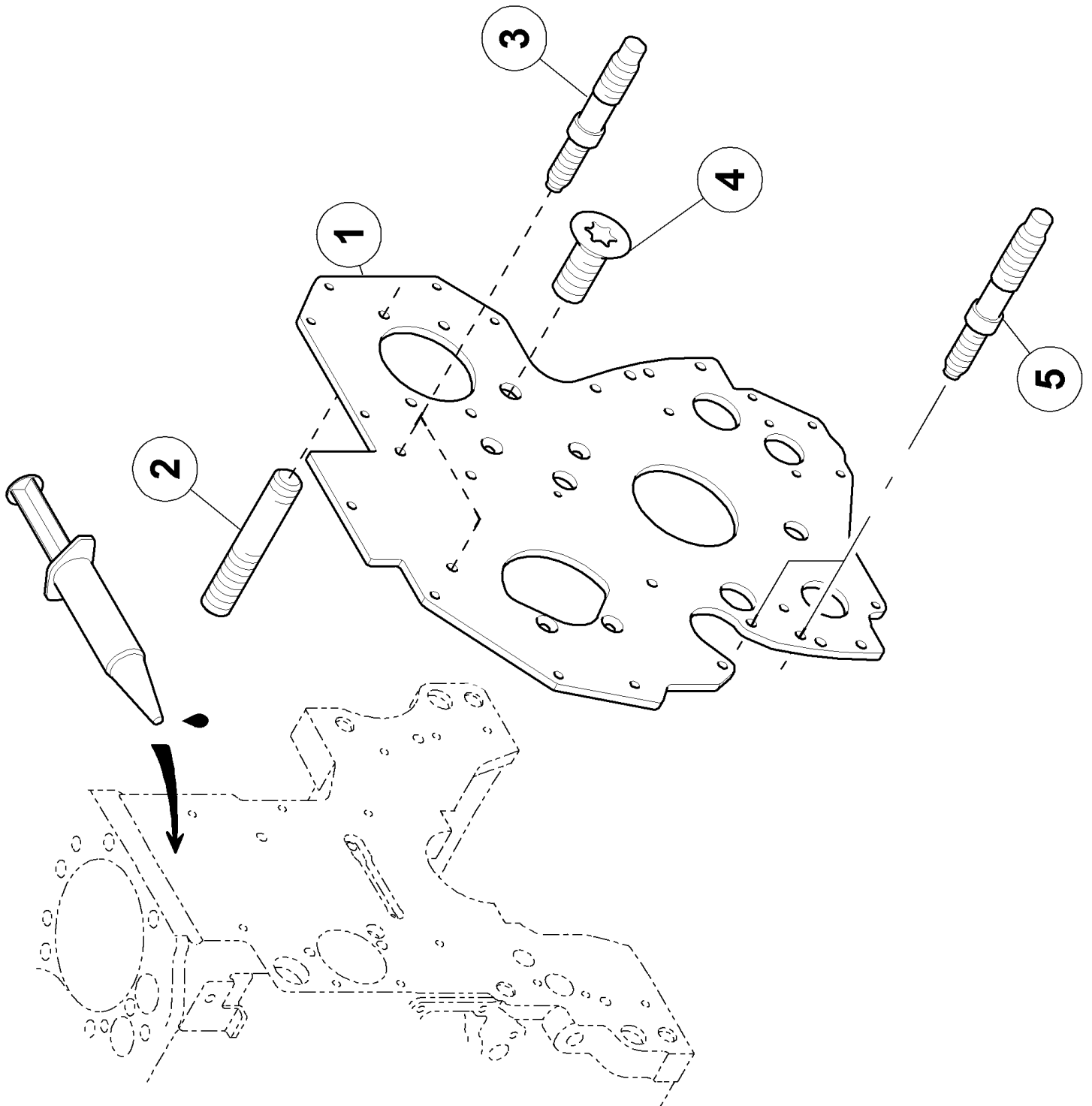
| Pos. | Part No. | Description | Dimension | Quantity | Conditions |
|-----------|-------------------------|-------------|-----------------------|----------|------------|
| 1 | 60 0502 869 2 | PLATE | | 1 | |
| 2 | 60 0502 340 2 | STUD BOLT | | 4 | |
| 3 | 60 0502 339 8 | STUD BOLT | | 2 | |
| 4 | 60 0502 339 7 | SCREW | | 4 | |
| 5 | 60 0502 145 7 | STUD BOLT | | 4 | |
| <hr/> | | | | | |
| 1) | Equipment | | | | |
| | | 0P0602 | TIER 2 | | |
| | Homologationtype | 0P0782 | TA PHASE II + 4432 | | |



PL 25.1.05...

120 TIMING CASE 1)

| Pos. | Part No. | Description | Dimension | Quantity | Conditions |
|-----------|-------------------------|--------------|----------------------------|----------|------------|
| 1 | 60 0502 869 0 | HOUSING | | 1 | |
| 2 | 60 0502 144 3 | GASKET | | 1 | |
| 3 | 60 0502 895 5 | SCREW PLUG | F-M20X1,5 | 1 | |
| 4 | 77 0002 464 6 | O-RING | 17X2-N ERS.D. 0238209.0 | 1 | |
| 5 | 60 0502 163 0 | SEALING RING | | 1 | |
| 6 | 60 0502 869 1 | VALVE | | 1 | |
| 7 | 60 0502 148 7 | SLEEVE | | 1 | |
| 8 | 60 0502 144 5 | SCREW | M8X45 | 6 | |
| 9 | 60 0502 145 8 | SCREW | | 2 | |
| 10 | 60 0502 144 9 | NUT | | 6 | |
| 11 | 60 0502 145 0 | SCREW | M08X60 | 1 | |
| 12 | 60 0502 339 6 | SCREW | | 1 | |
| 13 | 60 0502 144 6 | O-RING | | 1 | |
| 14 | 60 0502 144 7 | COVER | | 1 | |
| 15 | 60 0502 144 8 | SCREW | M6X16 | 3 | |
| 16 | 60 0502 144 4 | SCREW | M8X35 | 1 | |
| 17 | 60 0500 796 4 | O-RING | 37,69 X 3,53 NBR 80 | 1 | |
| 1) | Homologationtype | | + 4412 | | |
| | Motor | 6068HRT51 | + 4422 | | |
| | | 6068TRT52 | from CD6068H693157 | | |
| | | | from CD6068T693157 | | |



120 TIMING CASE 1)

| Pos. | Part No. | Description | Dimension | Quantity | Conditions |
|-----------|-------------------------|-------------|--------------------|----------|------------|
| 1 | 60 0502 869 2 | PLATE | | 1 | |
| 2 | 60 0502 340 2 | STUD BOLT | | 4 | |
| 3 | 60 0502 339 8 | STUD BOLT | | 2 | |
| 4 | 60 0502 339 7 | SCREW | | 4 | |
| 5 | 60 0502 145 7 | STUD BOLT | | 4 | |
| 1) | Homologationtype | | + 4412 | | |
| | Motor | 6068HRT51 | + 4422 | | |
| | | 6068TRT52 | from CD6068H693157 | | |
| | | | from CD6068T693157 | | |



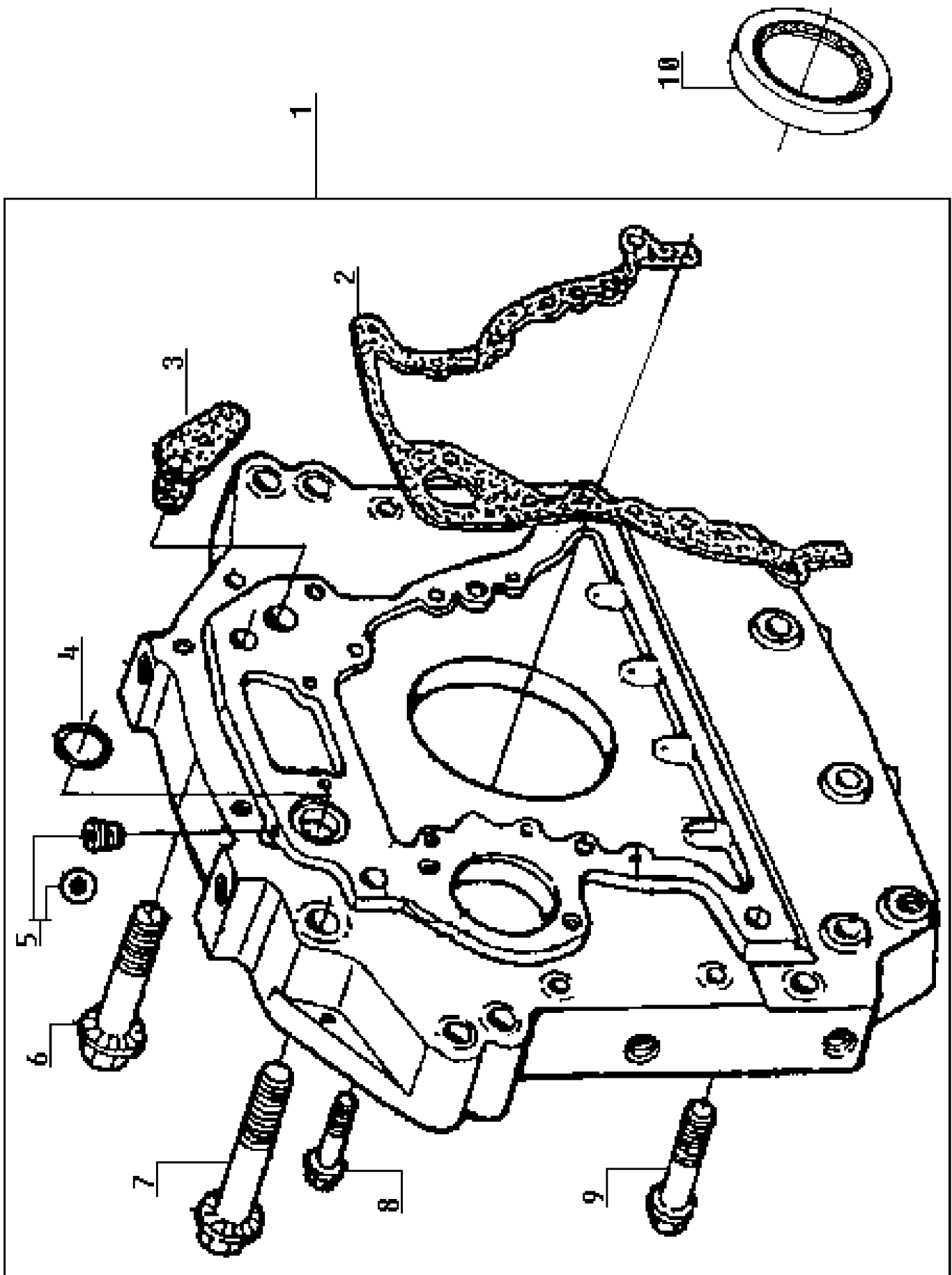
Suggest:

For more complete manuals. Please go to the home page.

<https://www.ebooklibonline.com>

If the above button click is invalid. Please download this document first, and then click the above link to download the complete manual.

Thank you so much for reading



140 FLYWHEEL HOUSING 1)

| Pos. | Part No. | Description | Dimension | Quantity | Conditions |
|-----------|-------------------------|----------------|---------------------|----------|------------|
| 1 | 60 0502 340 3 | HOUSING | | 1 | |
| 2 | 60 0502 146 1 | GASKET | | 1 | |
| 3 | 60 0501 278 6 | BLANKING COVER | | 1 | |
| 4 | 77 0005 079 6 | O-RING | | 1 | |
| 5 | 60 0502 146 4 | LOCK | | 1 | |
| 6 | 60 0502 146 5 | SCREW | | 1 | |
| 7 | 60 0502 146 6 | SCREW | | 1 | |
| 8 | 60 0502 146 7 | SCREW | M12X40 | 8 | |
| 9 | 60 0502 777 3 | SCREW | M16X60 | 2 | |
| 10 | 60 0501 279 0 | SHAFT SEAL | 118X146X15 | 1 | |
| <hr/> | | | | | |
| 1) | Homologationtype | | + 4422 | | |
| | Motor | | + 4432 | | |
| | | 6068HRT51 | up to CD6068H564699 | | |
| | | 6068HRT52 | up to CD6068H564699 | | |

<https://www.ebooklibonline.com>

Hello dear friend!

Thank you very much for reading.

Enter the link into your browser.

The full manual is available for immediate download.

<https://www.ebooklibonline.com>