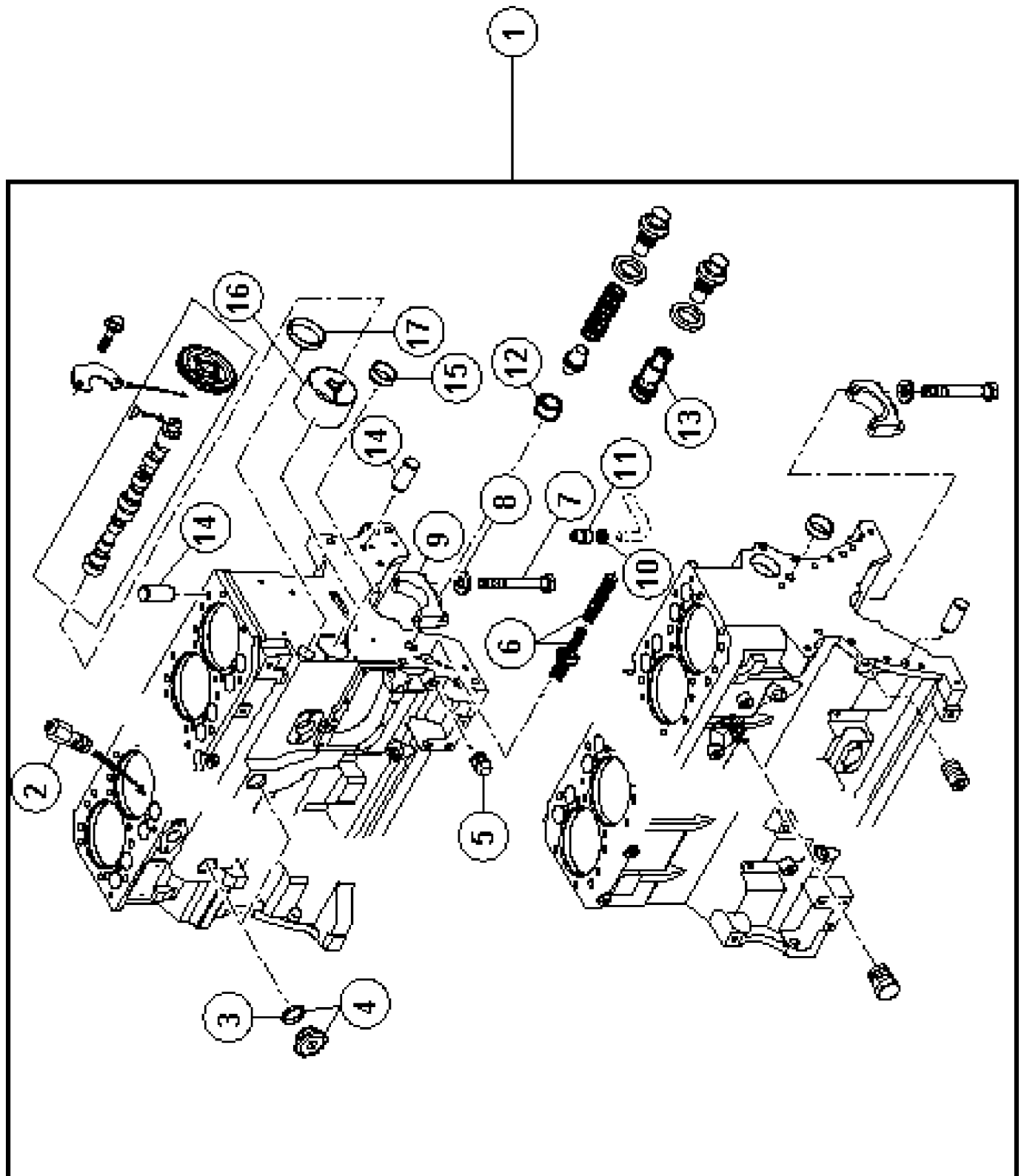


**010 COMPLETE ENGINE**

Pos.	Part No.	Description	Dimension	Quantity	Conditions
1	<b>77 0005 035 3</b>	ENGINE		1	1)
1	<b>77 0004 988 2</b>	ENGINE		1	2)
1	<b>77 0005 886 6</b>	ENGINE		1	3)
1	<b>77 0006 151 3</b>	ENGINE		1	4)
<b>1)</b>	<b>Homologationtype</b>		+ 4422 ->PL.10.1.03.A		
<b>2)</b>	<b>Equipment</b>	0P0601	TIER 1		
	<b>Homologationtype</b>	0P0780	TA PHASE I + 4432 ->PL.10.1.03.A		
<b>3)</b>	<b>Homologationtype</b>		+ 4412 ->PL.10.1.03.A		
<b>4)</b>	<b>Equipment</b>	0P0602	TIER 2		
	<b>Homologationtype</b>	0P0782	TA PHASE II + 4432		



**<https://www.ebooklibonline.com>**

Hello dear friend!

Thank you very much for reading.

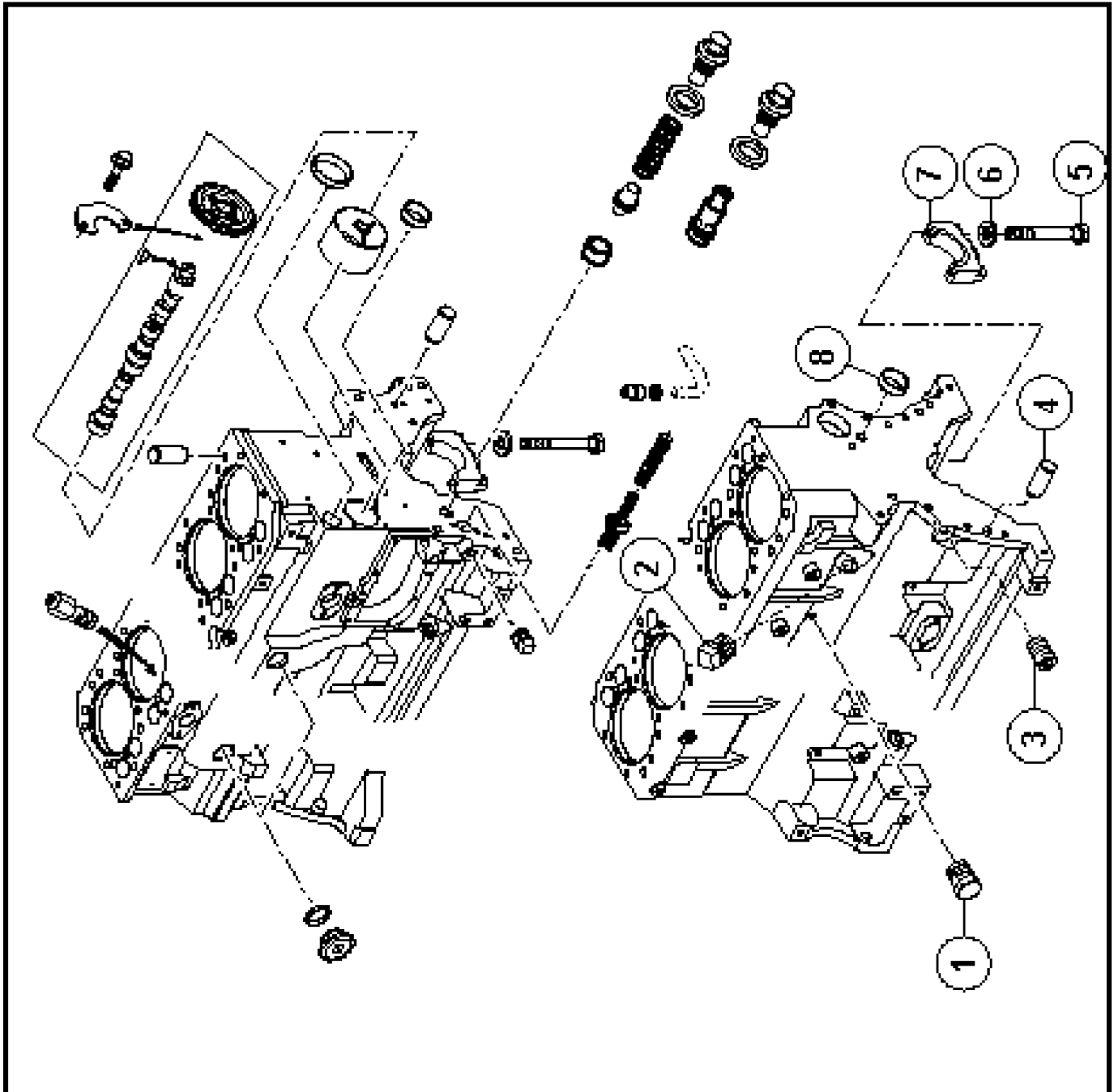
Enter the link into your browser.

The full manual is available for immediate download.

**<https://www.ebooklibonline.com>**

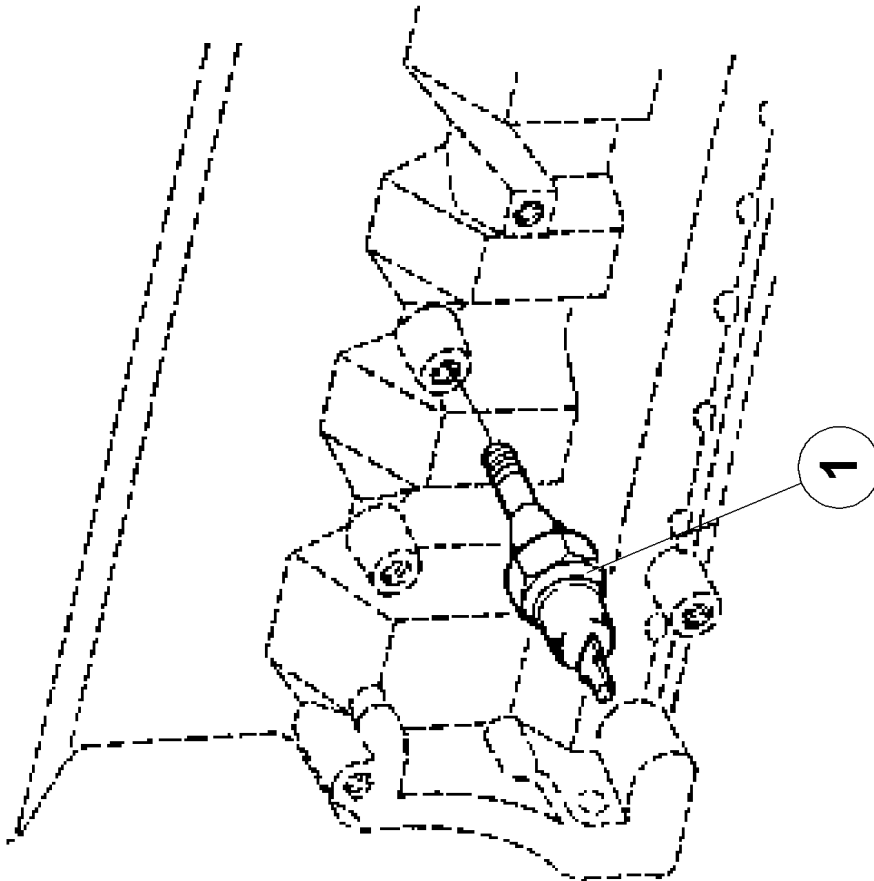
**100 CRANKCASE 1)**

Pos.	Part No.	Description	Dimension	Quantity	Conditions
1	<b>FA-CONSIGN ES</b>	Consignes - CS		1	
-		<i>Please order!</i>			
	60 0502 339 2	SEAL KIT		1,000	
	60 0502 866 8	SCREW		1,000	
	60 0503 033 2	SHORT BLOCK		1,000	
	60 0503 045 1	SPACER		1,000	
	60 0503 053 1	CRANKSHAFT PULLEY		1,000	
2	<b>60 0502 143 6</b>	SPRAY NOZZLE		6	
3	<b>60 0502 339 4</b>	O-RING		2	
4	<b>60 0502 905 2</b>	PLUG		2	
5	<b>60 0501 320 2</b>	LOCK		1	
6	<b>60 0501 402 9</b>	VALVE		1	
7	<b>60 0501 320 6</b>	SCREW		12	
8	<b>60 0502 143 7</b>	WASHER	13X22X2,5	12	
9	<b>60 0502 143 8</b>	COVER		6	
10	<b>60 0501 334 1</b>	O-RING		1	
11	<b>60 0501 597 2</b>	BUSHING		1	
12	<b>60 0501 319 9</b>	BUSHING		1	2)
13	<b>60 0502 869 1</b>	VALVE		1	3)
14	<b>60 0501 319 6</b>	CENTRING PIN		2	
15	<b>60 0501 319 8</b>	BLANKING COVER		1	
16	<b>60 0501 294 1</b>	BEARING		1	
17	<b>60 0502 143 9</b>	BLANKING COVER		1	
<b>1)</b>	<b>Homologationtype</b>		+ 4412 + 4422		
<b>2)</b>	<b>Motor</b>	6068HRT51 6068TRT52	up to CD6068H663165 up to CD6068T663165		
<b>3)</b>	<b>Motor</b>	6068HRT51 6068TRT52	from CD6068H663166 from CD6068T663166		



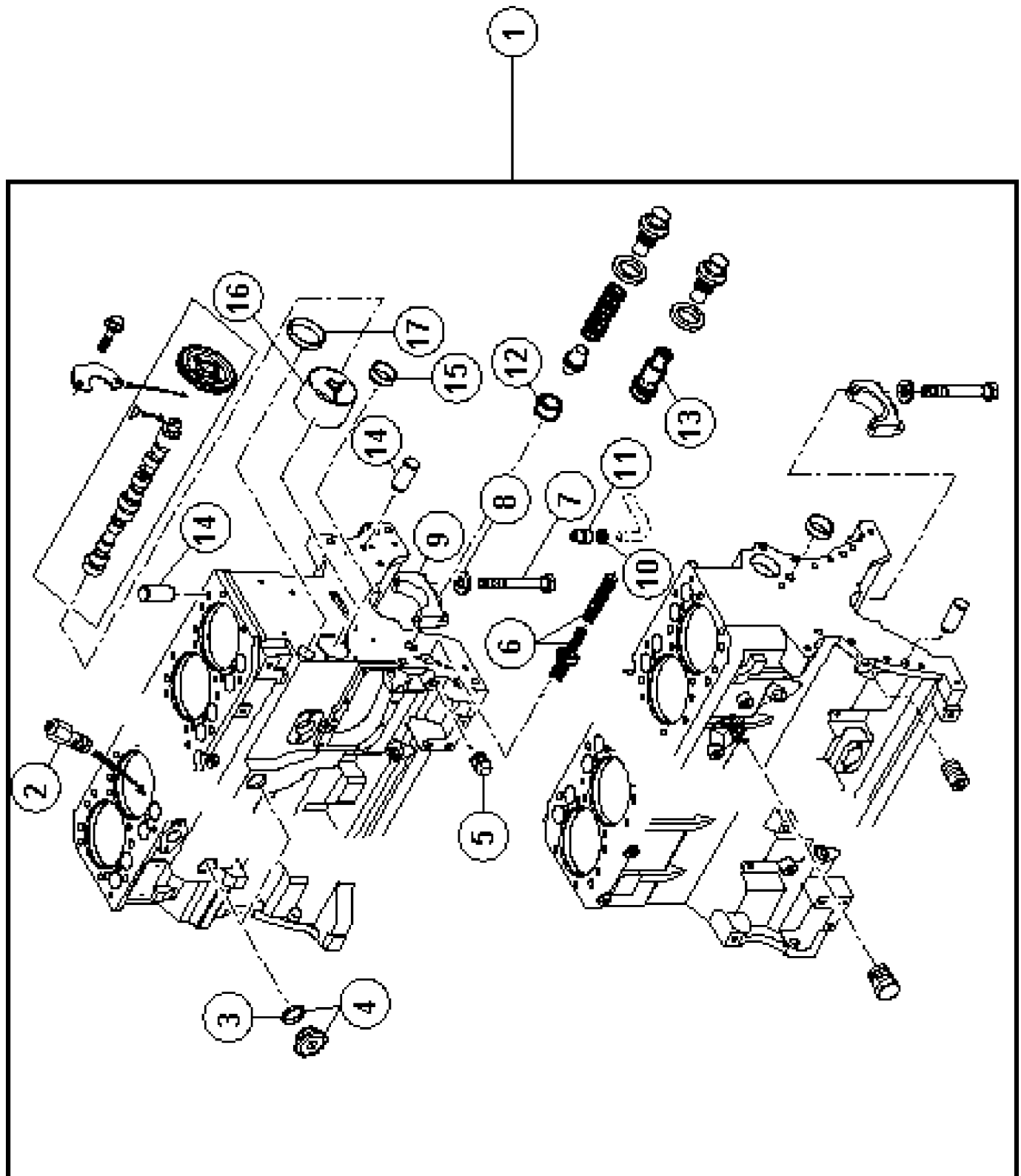
**100 CRANKCASE 1)**

<b>Pos.</b>	<b>Part No.</b>	<b>Description</b>	<b>Dimension</b>	<b>Quantity</b>	<b>Conditions</b>
1	<b>60 0502 665 3</b>	PLUG		1	
2	<b>60 0501 321 0</b>	PLUG		1	
3	<b>60 0502 144 0</b>	LOCK		5	
4	<b>60 0501 317 4</b>	CENTRING PIN		2	
5	<b>60 0501 320 6</b>	SCREW		2	
6	<b>60 0502 143 7</b>	WASHER	13X22X2,5	2	
7	<b>60 0502 144 1</b>	COVER		1	
8	<b>60 0501 319 8</b>	BLANKING COVER		1	
<hr/>					
<b>1)</b>	<b>Homologationtype</b>			+ 4412	
				+ 4422	



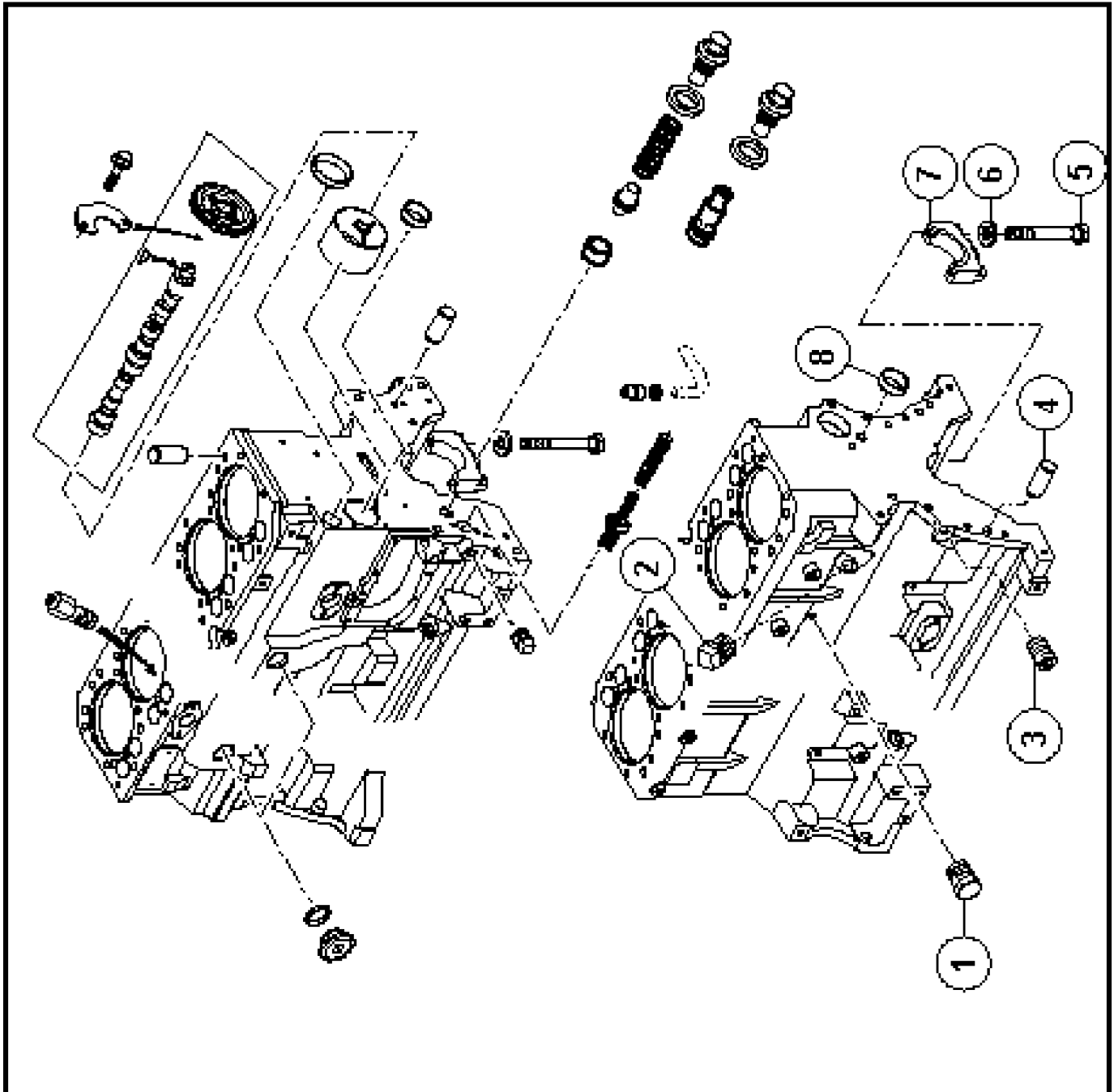
**100 CRANKCASE 1)**

Pos.	Part No.	Description	Dimension	Quantity	Conditions
1	<b>60 0501 342 7</b>	TRANSMITTER		1	
<b>1)</b>	<b>Homologationtype</b>		+ 4412 + 4422		



**100 CRANKCASE 1)**

Pos.	Part No.	Description	Dimension	Quantity	Conditions
1	<b>FA-CONSIGN ES</b>	Consignes - CS		1	
-		<i>Please order!</i>			
	60 0502 339 2	SEAL KIT		1,000	
	60 0502 866 8	SCREW		1,000	
	60 0503 033 2	SHORT BLOCK		1,000	
	60 0503 045 1	SPACER		1,000	
	77 0006 623 3	ANTI-VIBRATION WHEEL		1,000	
2	<b>60 0502 143 6</b>	SPRAY NOZZLE		6	
3	<b>60 0502 339 4</b>	O-RING		2	
4	<b>60 0502 905 2</b>	PLUG		2	
5	<b>60 0501 320 2</b>	LOCK		1	
6	<b>60 0501 402 9</b>	VALVE		1	
7	<b>60 0501 320 6</b>	SCREW		12	
8	<b>60 0502 143 7</b>	WASHER	13X22X2,5	12	
9	<b>60 0502 143 8</b>	COVER		6	
10	<b>60 0501 334 1</b>	O-RING		1	
11	<b>60 0501 597 2</b>	BUSHING		1	
12	<b>60 0501 319 9</b>	BUSHING		1	2)
13	<b>60 0502 869 1</b>	VALVE		1	3)
14	<b>60 0501 319 6</b>	CENTRING PIN		2	
15	<b>60 0501 319 8</b>	BLANKING COVER		1	
16	<b>60 0501 294 1</b>	BEARING		1	
17	<b>60 0502 143 9</b>	BLANKING COVER		1	
<b>1)</b>	<b>Equipment</b>	0P0601	TIER 1		
	<b>Homologationtype</b>	0P0780	TA PHASE I + 4432		
<b>2)</b>	<b>Motor</b>	6068HRT52	up to CD6068H663165		
<b>3)</b>	<b>Motor</b>	6068HRT52	from CD6068H663166		



**100 CRANKCASE 1)**

Pos.	Part No.	Description	Dimension	Quantity	Conditions
1	<b>60 0502 665 3</b>	PLUG		1	
2	<b>60 0501 321 0</b>	PLUG		1	
3	<b>60 0502 144 0</b>	LOCK		5	
4	<b>60 0501 317 4</b>	CENTRING PIN		2	
5	<b>60 0501 320 6</b>	SCREW		2	
6	<b>60 0502 143 7</b>	WASHER	13X22X2,5	2	
7	<b>60 0502 144 1</b>	COVER		1	
8	<b>60 0501 319 8</b>	BLANKING COVER		1	

**1) Equipment**

0P0601

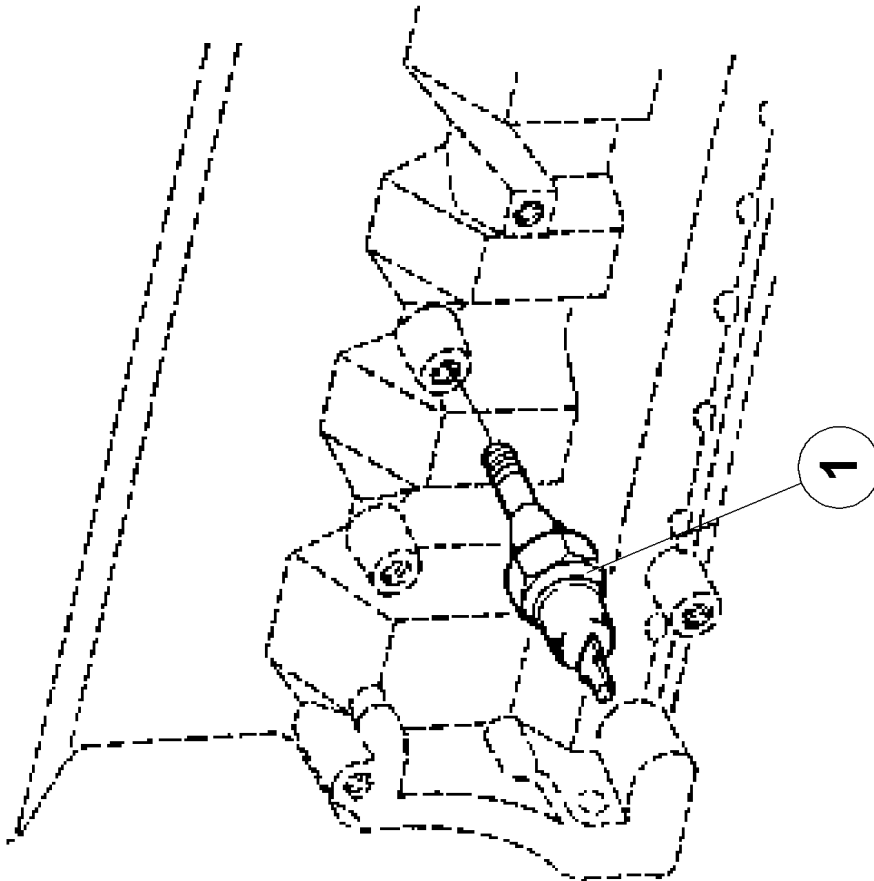
TIER 1

**Homologationtype**

0P0780

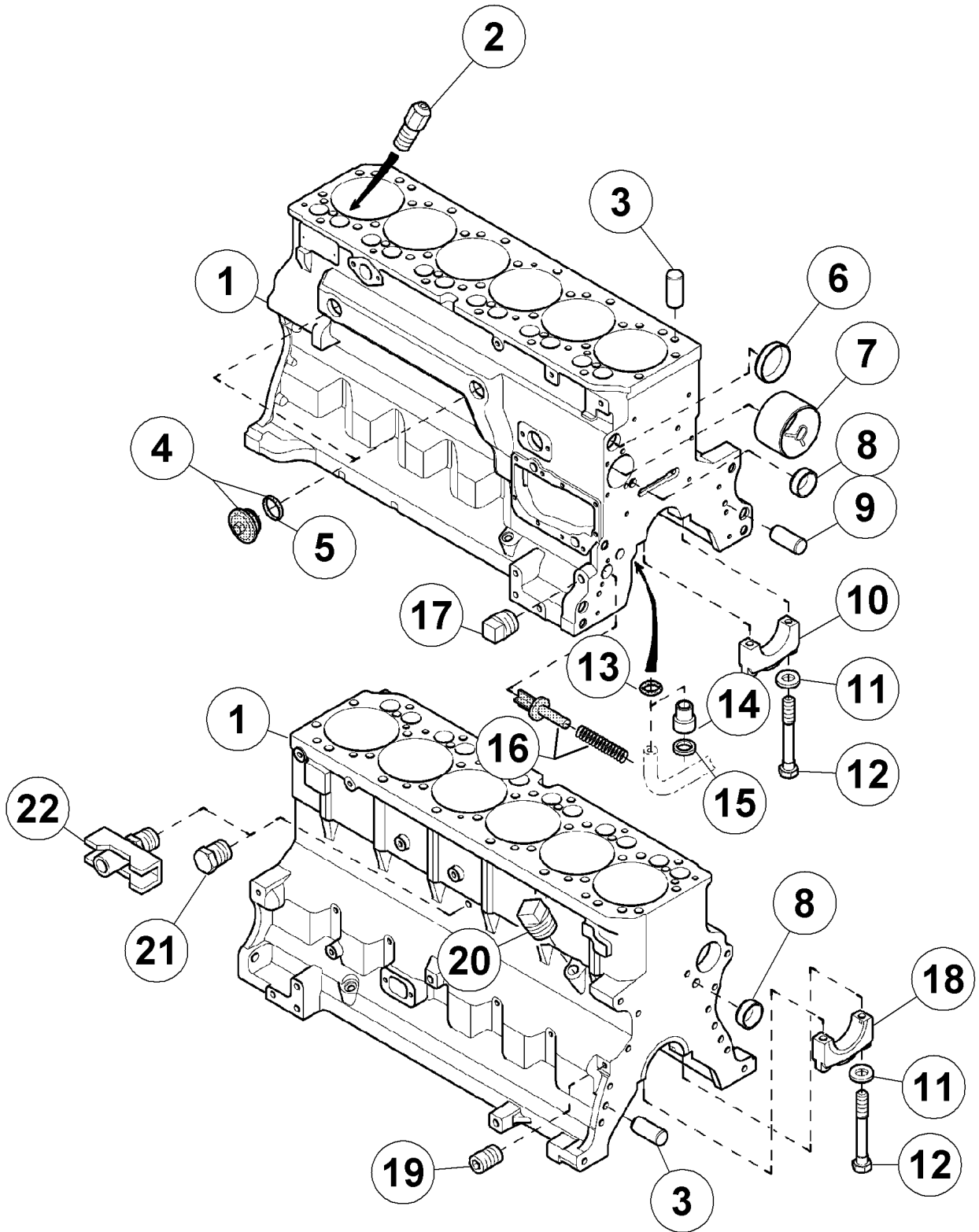
TA PHASE I

+ 4432



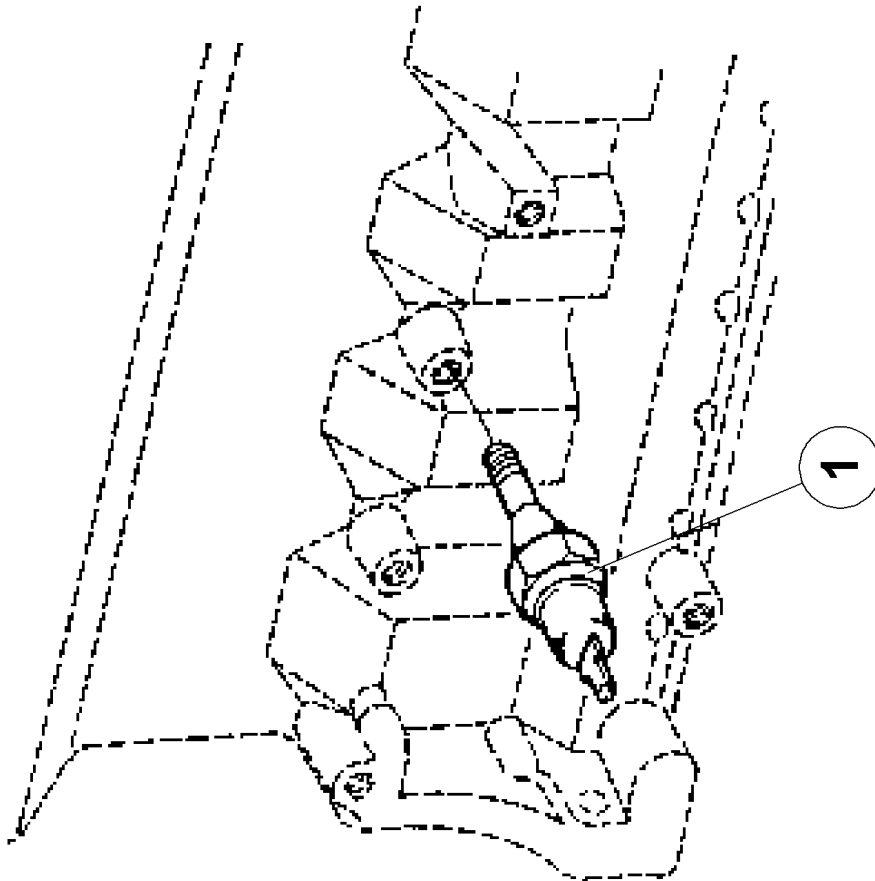
**100 CRANKCASE 1)**

Pos.	Part No.	Description	Dimension	Quantity	Conditions
1	<b>60 0501 342 7</b>	TRANSMITTER		1	
<b>1)</b>	<b>Equipment</b>				
		OP0601	TIER 1		
	<b>Homologationtype</b>	OP0780	TA PHASE I + 4432		



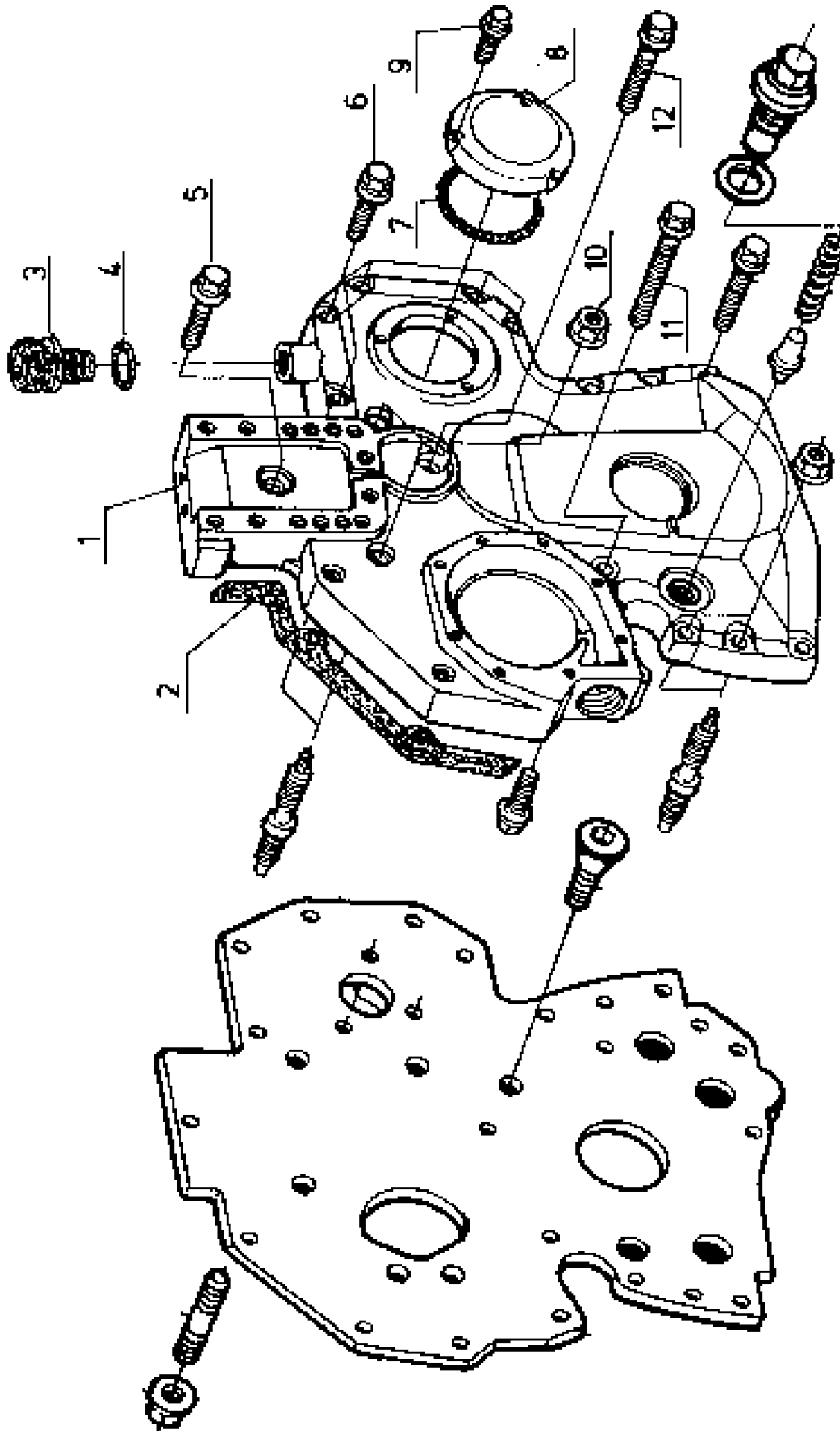
**100 CRANKCASE 1)**

Pos.	Part No.	Description	Dimension	Quantity	Conditions
1	<b>FA-CONSIGN ES</b>	Consignes - CS		1	
-		<i>Please order!</i> <i>60 0503 025 9 SHORT BLOCK</i>		1,000	
2	<b>60 0502 143 6</b>	SPRAY NOZZLE		6	
3	<b>60 0501 317 4</b>	CENTRING PIN		4	
4	<b>60 0502 905 2</b>	PLUG		1	
5	<b>60 0502 339 4</b>	O-RING		1	
6	<b>60 0502 143 9</b>	BLANKING COVER		1	
7	<b>60 0501 294 1</b>	BEARING		1	
8	<b>60 0501 319 8</b>	BLANKING COVER		2	
9	<b>60 0501 319 6</b>	CENTRING PIN		2	
10	<b>60 0502 143 8</b>	COVER		6	
11	<b>60 0502 143 7</b>	WASHER	13X22X2,5	6	
12	<b>60 0501 320 6</b>	SCREW		14	
13	<b>60 0501 320 3</b>	O-RING		1	
14	<b>60 0501 597 2</b>	BUSHING		1	
15	<b>60 0501 334 1</b>	O-RING		1	
16	<b>60 0501 402 9</b>	VALVE		1	
17	<b>60 0501 320 2</b>	LOCK		1	
18	<b>60 0502 144 1</b>	COVER		1	
19	<b>60 0502 144 0</b>	LOCK		7	
20	<b>60 0501 321 0</b>	PLUG		1	
21	<b>60 0502 665 3</b>	PLUG		1	
22	<b>60 0501 320 7</b>	VALVE		1	
<b>1) Equipment</b>					
		OP0602		TIER 2	
<b>Homologationtype</b>		OP0782		TA PHASE II	
				+ 4432	



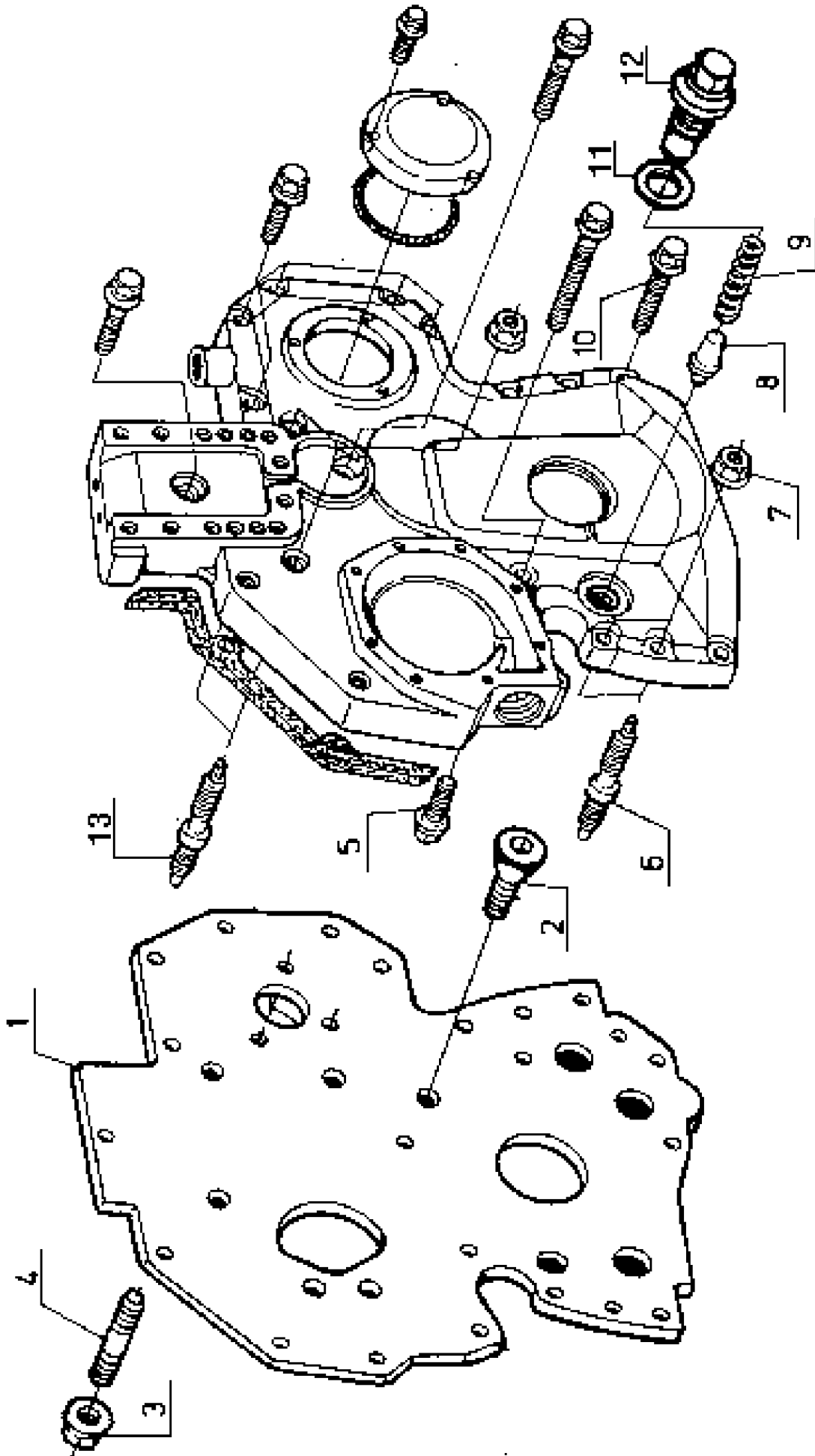
**100 CRANKCASE 1)**

Pos.	Part No.	Description	Dimension	Quantity	Conditions
1	<b>60 0501 342 7</b>	TRANSMITTER		1	
<b>1)</b>	<b>Equipment</b>				
		OP0602	TIER 2		
	<b>Homologationtype</b>	OP0782	TA PHASE II + 4432		



**120 TIMING CASE 1)**

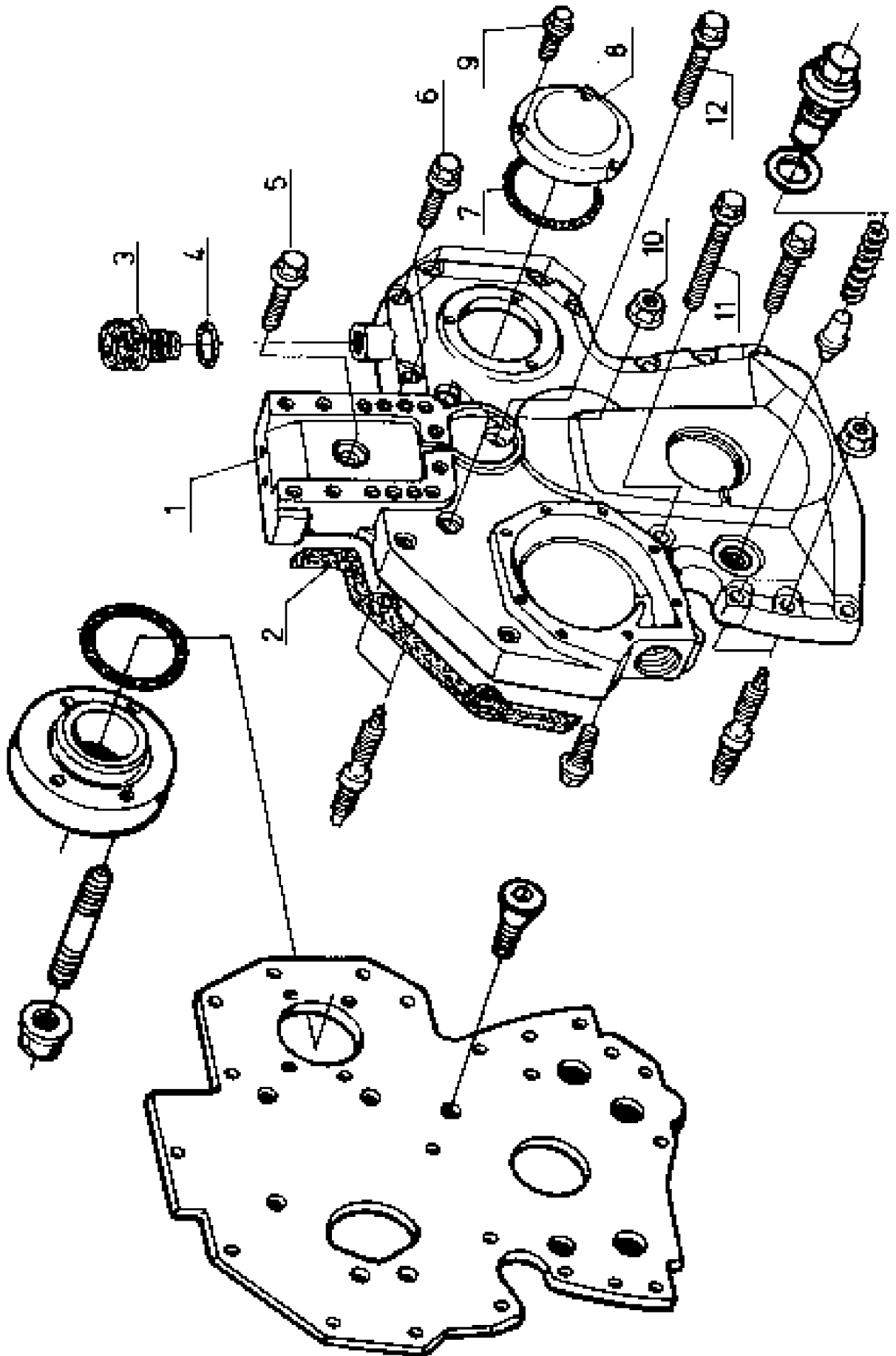
Pos.	Part No.	Description	Dimension	Quantity	Conditions
1	<b>FA-CONSIGN ES</b>	Consignes - CS		1	
-		<i>Please order!</i> 60 0502 869 0 HOUSING		1,000	
2	<b>60 0502 144 3</b>	GASKET		1	
3	<b>60 0502 895 5</b>	SCREW PLUG	F-M20X1,5	1	
4	<b>77 0002 464 6</b>	O-RING	17X2-N ERS.D. 0238209.0	1	
5	<b>60 0502 144 4</b>	SCREW	M8X35	1	
6	<b>60 0502 144 5</b>	SCREW	M8X45	6	
7	<b>60 0502 144 6</b>	O-RING		1	
8	<b>60 0502 144 7</b>	COVER		1	
9	<b>60 0502 144 8</b>	SCREW	M6X16	3	
10	<b>60 0502 144 9</b>	NUT		6	
11	<b>60 0502 145 0</b>	SCREW	M08X60	1	
12	<b>60 0502 339 6</b>	SCREW		1	
<b>1)</b>	<b>Homologationtype</b>		+ 4412		
	<b>Motor</b>	6068HRT51	+ 4422		
		6068TRT52	up to CD6068H693156		
			up to CD6068T693156		



**120 TIMING CASE 1)**

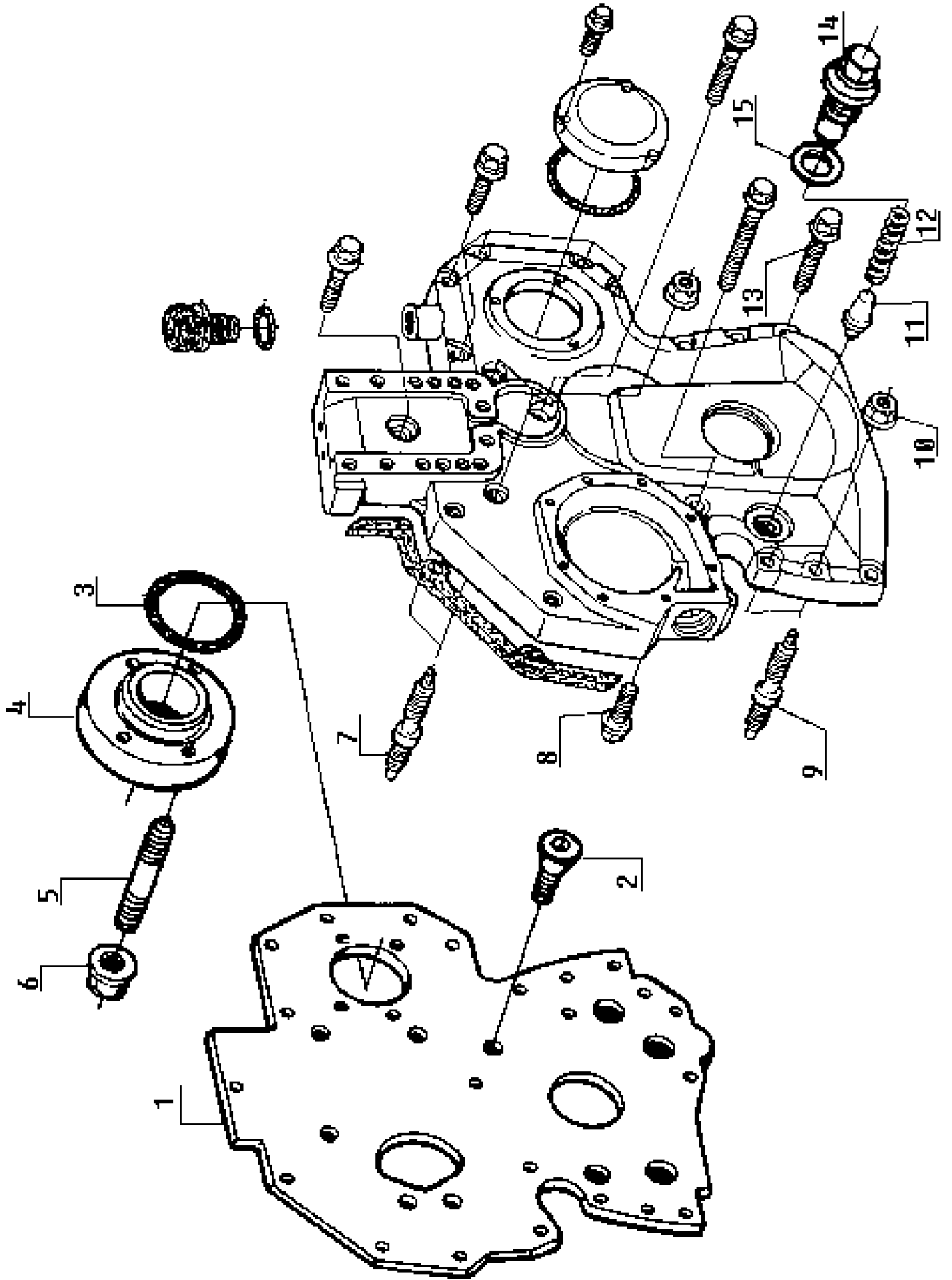
Pos.	Part No.	Description	Dimension	Quantity	Conditions
1	<b>60 0502 145 2</b>	PLATE		1	
2	<b>60 0502 339 7</b>	SCREW		4	
3	<b>60 0502 145 4</b>	FLANGE NUT	M08	3	
4	<b>60 0502 145 5</b>	STUD BOLT		3	
5	<b>60 0502 145 6</b>	SCREW	M8X25	1	
6	<b>60 0502 145 7</b>	STUD BOLT		4	
7	<b>60 0502 144 9</b>	NUT		6	
8	<b>60 0501 277 5</b>	VALVE		1	
9	<b>60 0501 277 4</b>	SPRING		1	
10	<b>60 0502 145 8</b>	SCREW		2	
11	<b>60 0501 277 2</b>	WASHER		1	
12	<b>60 0501 277 1</b>	SCREW		1	
13	<b>60 0502 339 8</b>	STUD BOLT		2	

<b>1)</b>	<b>Homologationtype</b>		+ 4412
	<b>Motor</b>		+ 4422
		6068HRT51	up to CD6068H693156
		6068TRT52	up to CD6068T693156



**120 TIMING CASE 1)**

Pos.	Part No.	Description	Dimension	Quantity	Conditions
1	<b>60 0502 144 2</b>	HOUSING		1	
2	<b>60 0502 144 3</b>	GASKET		1	
3	<b>60 0502 895 5</b>	SCREW PLUG	F-M20X1,5	1	
4	<b>77 0002 464 6</b>	O-RING	17X2-N ERS.D. 0238209.0	1	
5	<b>60 0502 144 4</b>	SCREW	M8X35	1	
6	<b>60 0502 144 5</b>	SCREW	M8X45	6	
7	<b>60 0502 144 6</b>	O-RING		1	
8	<b>60 0502 144 7</b>	COVER		1	
9	<b>60 0502 144 8</b>	SCREW	M6X16	3	
10	<b>60 0502 144 9</b>	NUT		6	
11	<b>60 0502 145 0</b>	SCREW	M08X60	1	
12	<b>60 0502 339 6</b>	SCREW		1	
<b>1) Equipment</b>					
		0P0601	TIER 1		
<b>Homologationtype</b>		0P0780	TA PHASE I + 4432		



**120 TIMING CASE 1)**

Pos.	Part No.	Description	Dimension	Quantity	Conditions
1	<b>60 0502 339 9</b>	PLATE		1	
2	<b>60 0502 339 7</b>	SCREW		4	
3	<b>60 0502 340 0</b>	O-RING		1	
4	<b>60 0502 340 1</b>	FLANGE		1	
5	<b>60 0502 340 2</b>	STUD BOLT		4	
6	<b>60 0502 144 9</b>	NUT		4	
7	<b>60 0502 339 8</b>	STUD BOLT		2	
8	<b>60 0502 145 6</b>	SCREW	M8X25	1	
9	<b>60 0502 145 7</b>	STUD BOLT		4	
10	<b>60 0502 144 9</b>	NUT		6	
11	<b>60 0501 277 5</b>	VALVE		1	
12	<b>60 0501 277 4</b>	SPRING		1	
13	<b>60 0502 145 8</b>	SCREW		2	
14	<b>60 0501 277 1</b>	SCREW		1	
15	<b>60 0501 277 2</b>	WASHER		1	

**1) Equipment**

OP0601

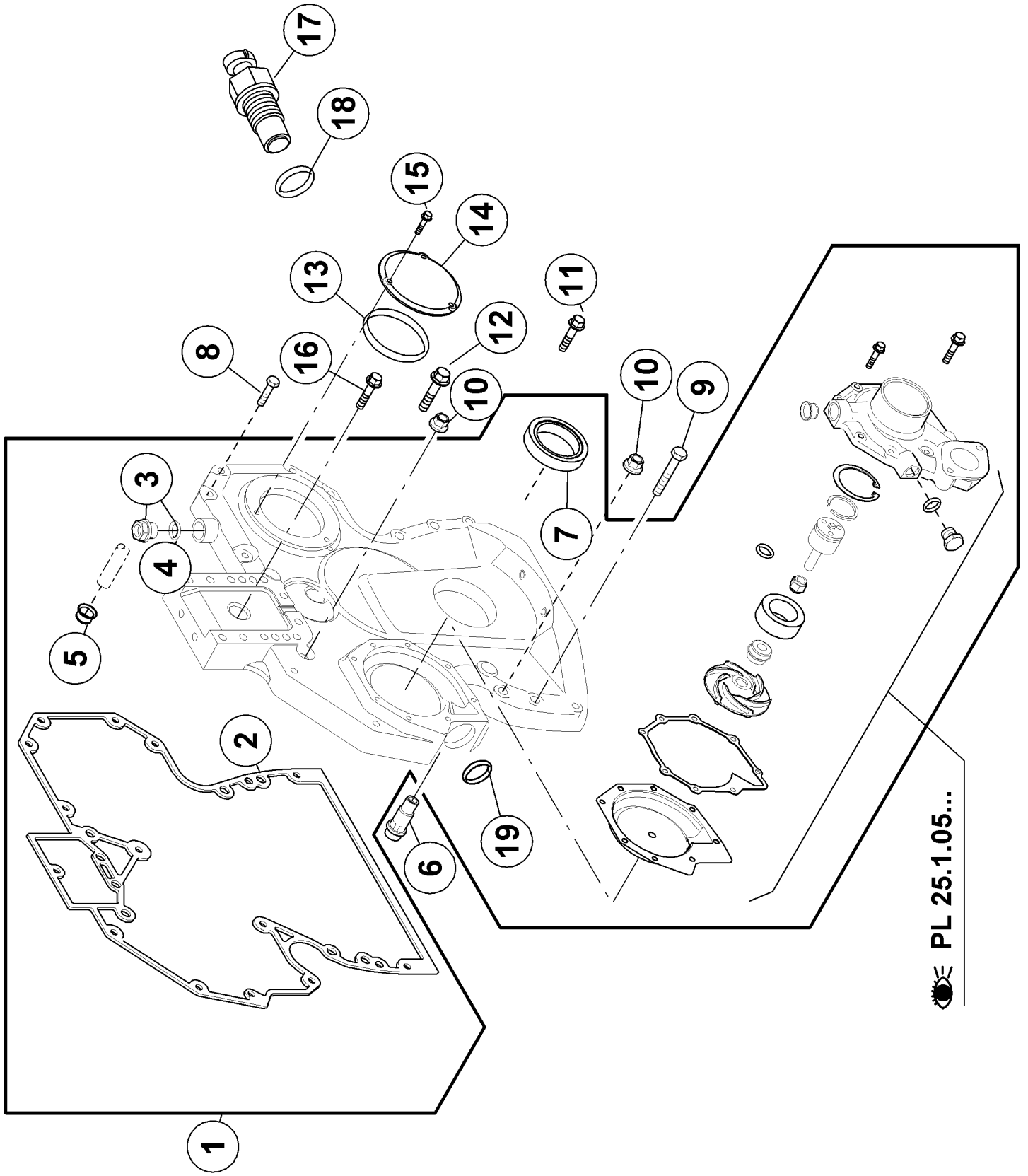
TIER 1

OP0780

TA PHASE I

**Homologationtype**

+ 4432



PL 25.1.05...

**120 TIMING CASE 1)**

Pos.	Part No.	Description	Dimension	Quantity	Conditions
1	<b>60 0502 869 0</b>	HOUSING		1	
2	<b>60 0502 144 3</b>	GASKET		1	
3	<b>60 0502 895 5</b>	SCREW PLUG	F-M20X1,5	1	
4	<b>77 0002 464 6</b>	O-RING	17X2-N ERS.D. 0238209.0	1	
5	<b>60 0502 163 0</b>	SEALING RING		1	
6	<b>60 0502 869 1</b>	VALVE		1	
7	<b>60 0502 148 7</b>	SLEEVE		1	
8	<b>60 0502 144 5</b>	SCREW	M8X45	6	
9	<b>60 0502 145 8</b>	SCREW		2	
10	<b>60 0502 144 9</b>	NUT		6	
11	<b>60 0502 145 0</b>	SCREW	M08X60	1	
12	<b>60 0502 339 6</b>	SCREW		1	
13	<b>60 0502 144 6</b>	O-RING		1	
14	<b>60 0502 144 7</b>	COVER		1	
15	<b>60 0502 144 8</b>	SCREW	M6X16	3	
16	<b>60 0502 144 4</b>	SCREW	M8X35	1	
17	<b>77 0007 199 7</b>	SENSOR		1	2)
18	<b>77 0002 464 6</b>	O-RING	17X2-N ERS.D. 0238209.0	1	

**1) Equipment**

0P0602

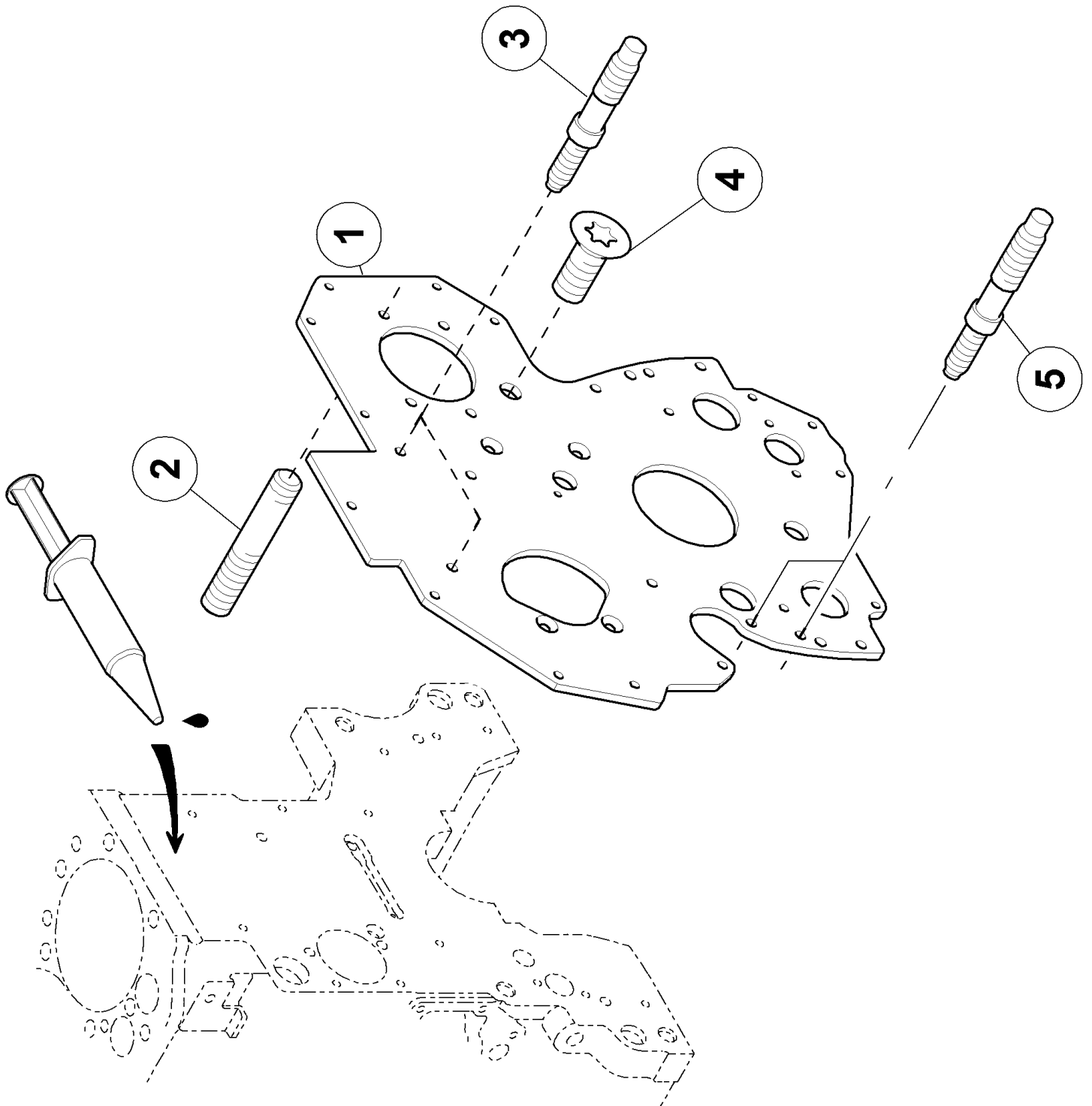
TIER 2

**Homologationtype**

0P0782

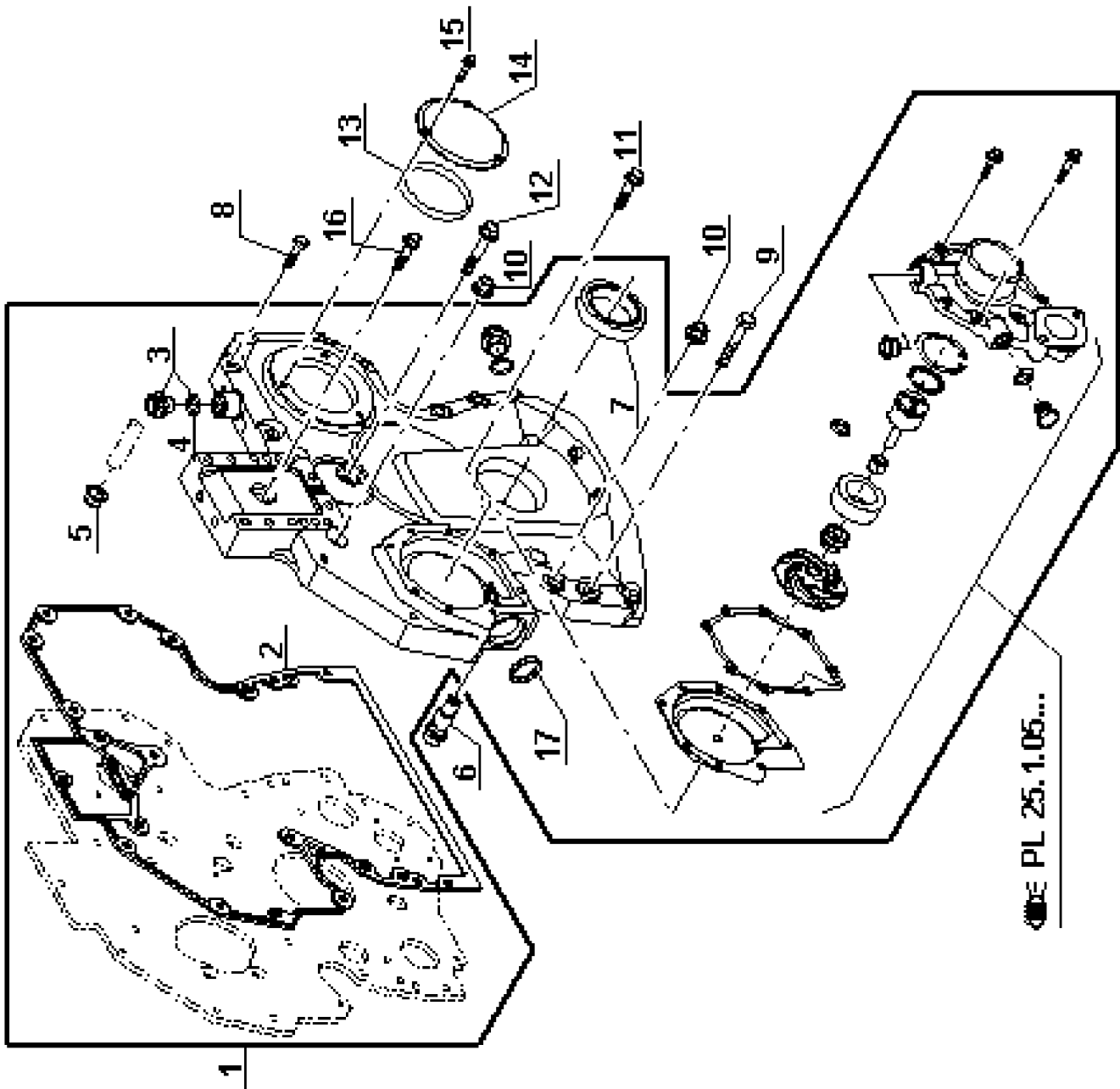
TA PHASE II  
+ 4432**2) Remarks**

vitesse mot.



**120 TIMING CASE 1)**

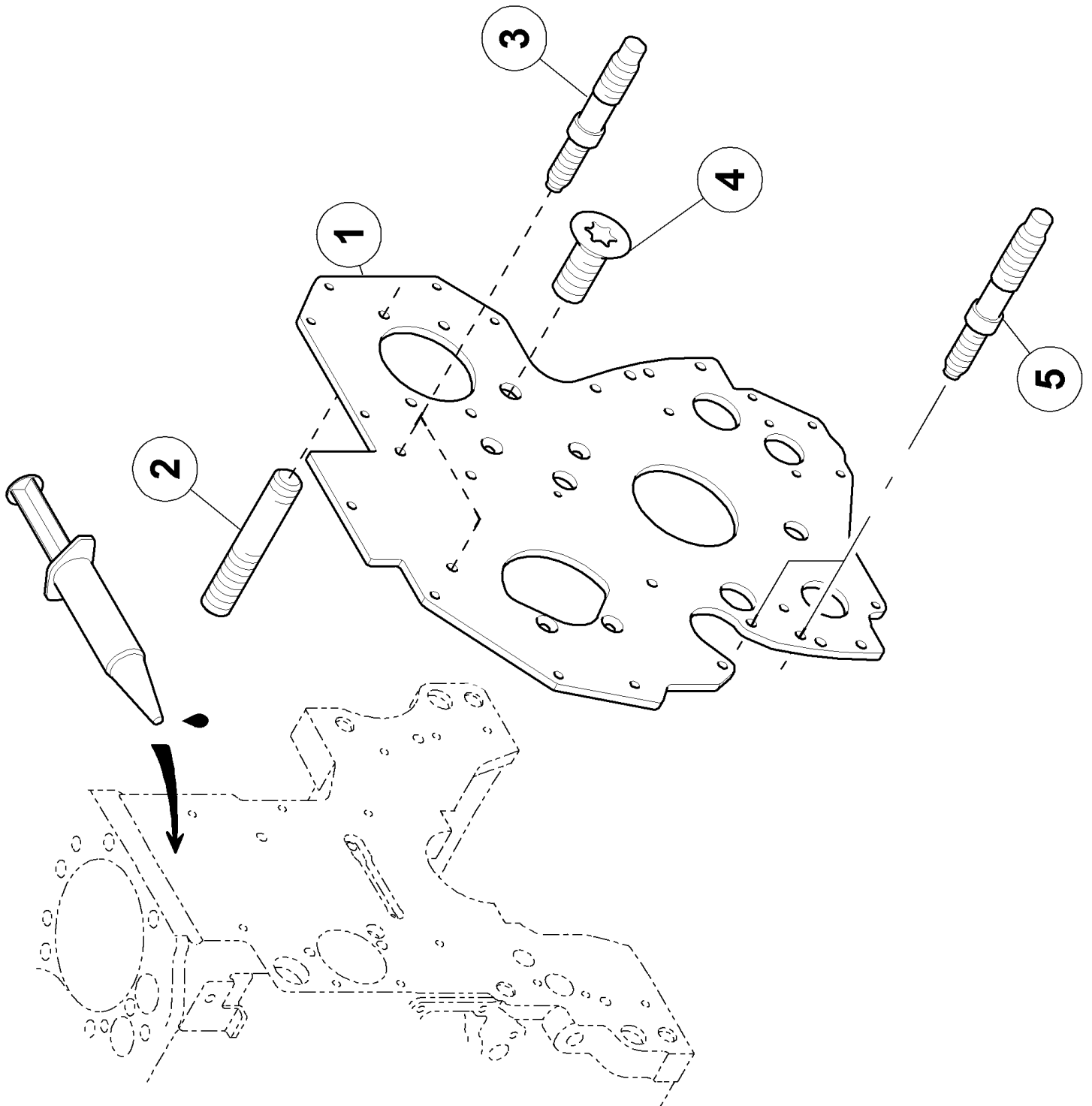
<b>Pos.</b>	<b>Part No.</b>	<b>Description</b>	<b>Dimension</b>	<b>Quantity</b>	<b>Conditions</b>
1	<b>60 0502 869 2</b>	PLATE		1	
2	<b>60 0502 340 2</b>	STUD BOLT		4	
3	<b>60 0502 339 8</b>	STUD BOLT		2	
4	<b>60 0502 339 7</b>	SCREW		4	
5	<b>60 0502 145 7</b>	STUD BOLT		4	
<hr/>					
<b>1)</b>	<b>Equipment</b>				
		0P0602	TIER 2		
	<b>Homologationtype</b>	0P0782	TA PHASE II + 4432		



PL 25.1.05...

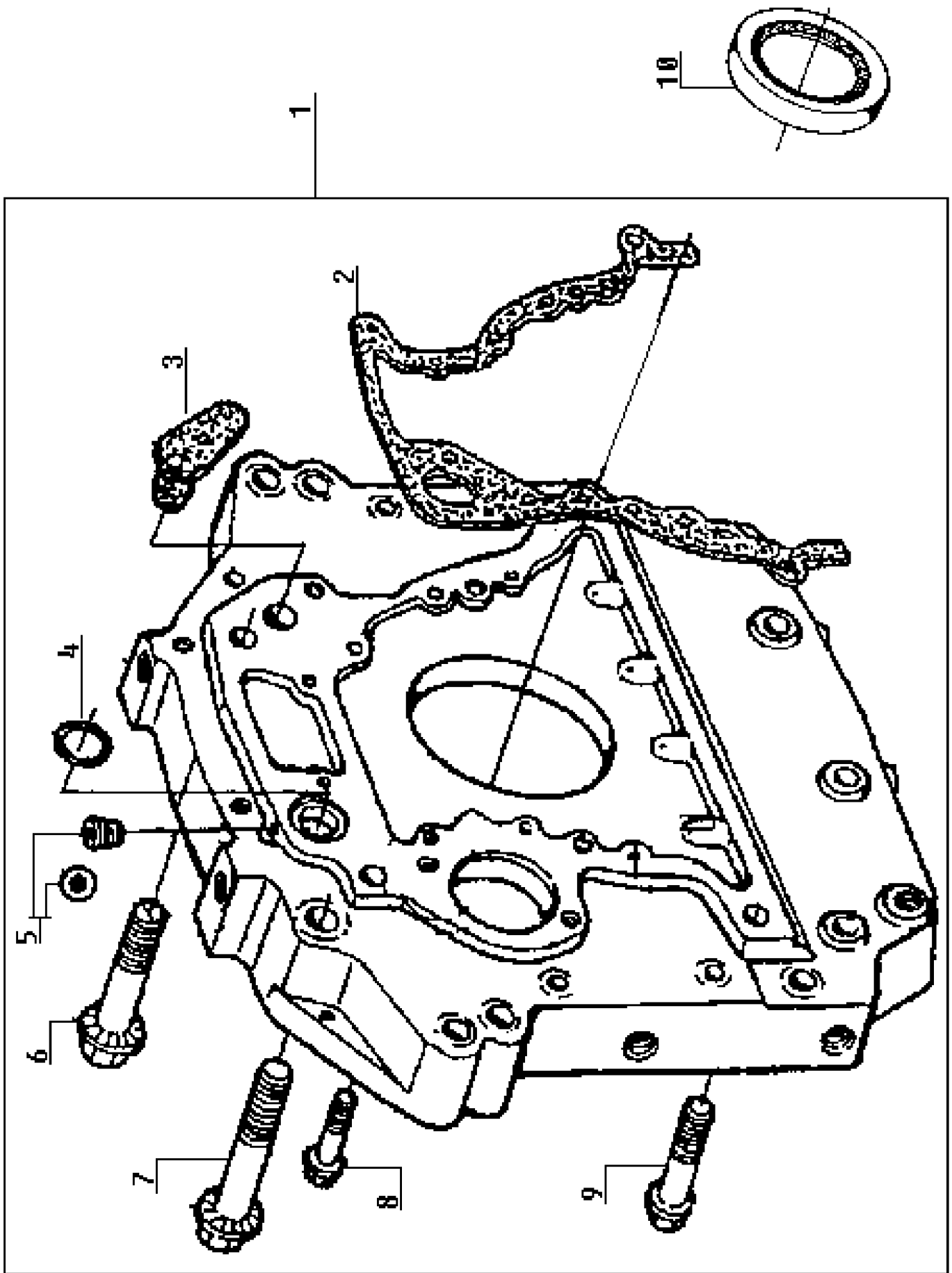
**120 TIMING CASE 1)**

Pos.	Part No.	Description	Dimension	Quantity	Conditions
1	<b>60 0502 869 0</b>	HOUSING		1	
2	<b>60 0502 144 3</b>	GASKET		1	
3	<b>60 0502 895 5</b>	SCREW PLUG	F-M20X1,5	1	
4	<b>77 0002 464 6</b>	O-RING	17X2-N ERS.D. 0238209.0	1	
5	<b>60 0502 163 0</b>	SEALING RING		1	
6	<b>60 0502 869 1</b>	VALVE		1	
7	<b>60 0502 148 7</b>	SLEEVE		1	
8	<b>60 0502 144 5</b>	SCREW	M8X45	6	
9	<b>60 0502 145 8</b>	SCREW		2	
10	<b>60 0502 144 9</b>	NUT		6	
11	<b>60 0502 145 0</b>	SCREW	M08X60	1	
12	<b>60 0502 339 6</b>	SCREW		1	
13	<b>60 0502 144 6</b>	O-RING		1	
14	<b>60 0502 144 7</b>	COVER		1	
15	<b>60 0502 144 8</b>	SCREW	M6X16	3	
16	<b>60 0502 144 4</b>	SCREW	M8X35	1	
17	<b>60 0500 796 4</b>	O-RING	37,69 X 3,53 NBR 80	1	
<b>1)</b>	<b>Homologationtype</b>		+ 4412		
	<b>Motor</b>	6068HRT51	+ 4422		
		6068TRT52	from CD6068H693157		
			from CD6068T693157		



**120 TIMING CASE 1)**

Pos.	Part No.	Description	Dimension	Quantity	Conditions
1	<b>60 0502 869 2</b>	PLATE		1	
2	<b>60 0502 340 2</b>	STUD BOLT		4	
3	<b>60 0502 339 8</b>	STUD BOLT		2	
4	<b>60 0502 339 7</b>	SCREW		4	
5	<b>60 0502 145 7</b>	STUD BOLT		4	
<b>1)</b>	<b>Homologationtype</b>		+ 4412		
	<b>Motor</b>	6068HRT51	+ 4422		
		6068TRT52	from CD6068H693157		
			from CD6068T693157		





**Suggest:**

**For more complete manuals. Please go to the home page.**

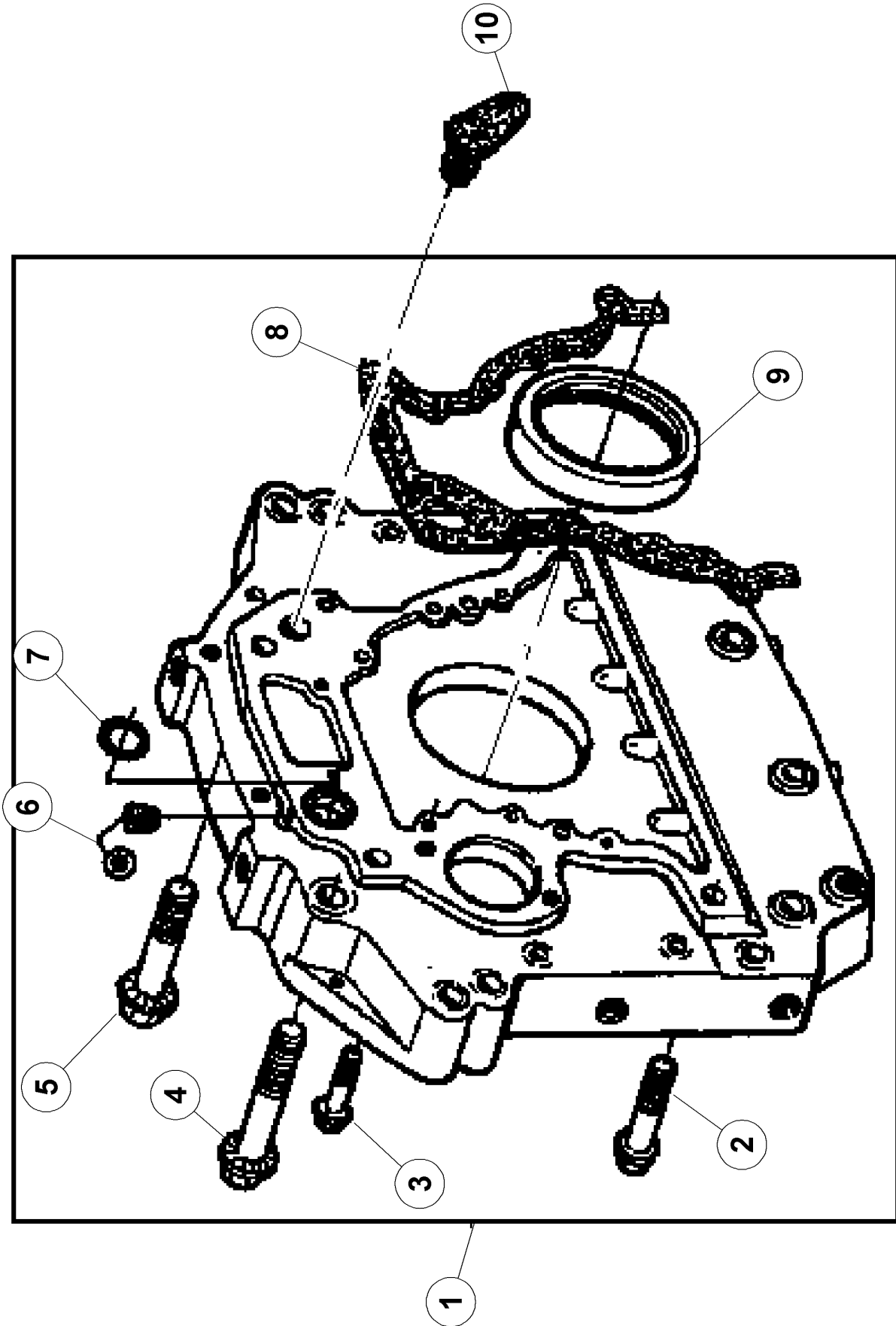
**<https://www.ebooklibonline.com>**

**If the above button click is invalid. Please download this document first, and then click the above link to download the complete manual.**

**Thank you so much for reading**

**140 FLYWHEEL HOUSING 1)**

Pos.	Part No.	Description	Dimension	Quantity	Conditions
1	<b>60 0502 340 3</b>	HOUSING		1	
2	<b>60 0502 146 1</b>	GASKET		1	
3	<b>60 0501 278 6</b>	BLANKING COVER		1	
4	<b>77 0005 079 6</b>	O-RING		1	
5	<b>60 0502 146 4</b>	LOCK		1	
6	<b>60 0502 146 5</b>	SCREW		1	
7	<b>60 0502 146 6</b>	SCREW		1	
8	<b>60 0502 146 7</b>	SCREW	M12X40	8	
9	<b>60 0502 777 3</b>	SCREW	M16X60	2	
10	<b>60 0501 279 0</b>	SHAFT SEAL	118X146X15	1	
<hr/>					
<b>1)</b>	<b>Homologationtype</b>		+ 4422		
	<b>Motor</b>		+ 4432		
		6068HRT51	up to CD6068H564699		
		6068HRT52	up to CD6068H564699		



**140 FLYWHEEL HOUSING 1)**

Pos.	Part No.	Description	Dimension	Quantity	Conditions
1	<b>60 0502 603 2</b>	HOUSING		1	
2	<b>60 0502 777 3</b>	SCREW	M16X60	2	
3	<b>60 0502 146 7</b>	SCREW	M12X40	8	
4	<b>60 0502 146 6</b>	SCREW		1	
5	<b>60 0502 146 5</b>	SCREW		1	
6	<b>60 0502 146 4</b>	LOCK		1	
7	<b>60 0501 604 9</b>	O-RING		1	
8	<b>77 0005 577 1</b>	GASKET		1	
9	<b>60 0501 279 0</b>	SHAFT SEAL	118X146X15	1	
10	<b>60 0501 278 6</b>	BLANKING COVER		1	
<hr/>					
<b>1)</b>	<b>Homologationtype</b>		+ 4422		
	<b>Motor</b>	6068HRT51	+ 4432		
		6068HRT52	from CD6068H564700		
			from CD6068H564700		

**<https://www.ebooklibonline.com>**

Hello dear friend!

Thank you very much for reading.

Enter the link into your browser.

The full manual is available for immediate download.

**<https://www.ebooklibonline.com>**