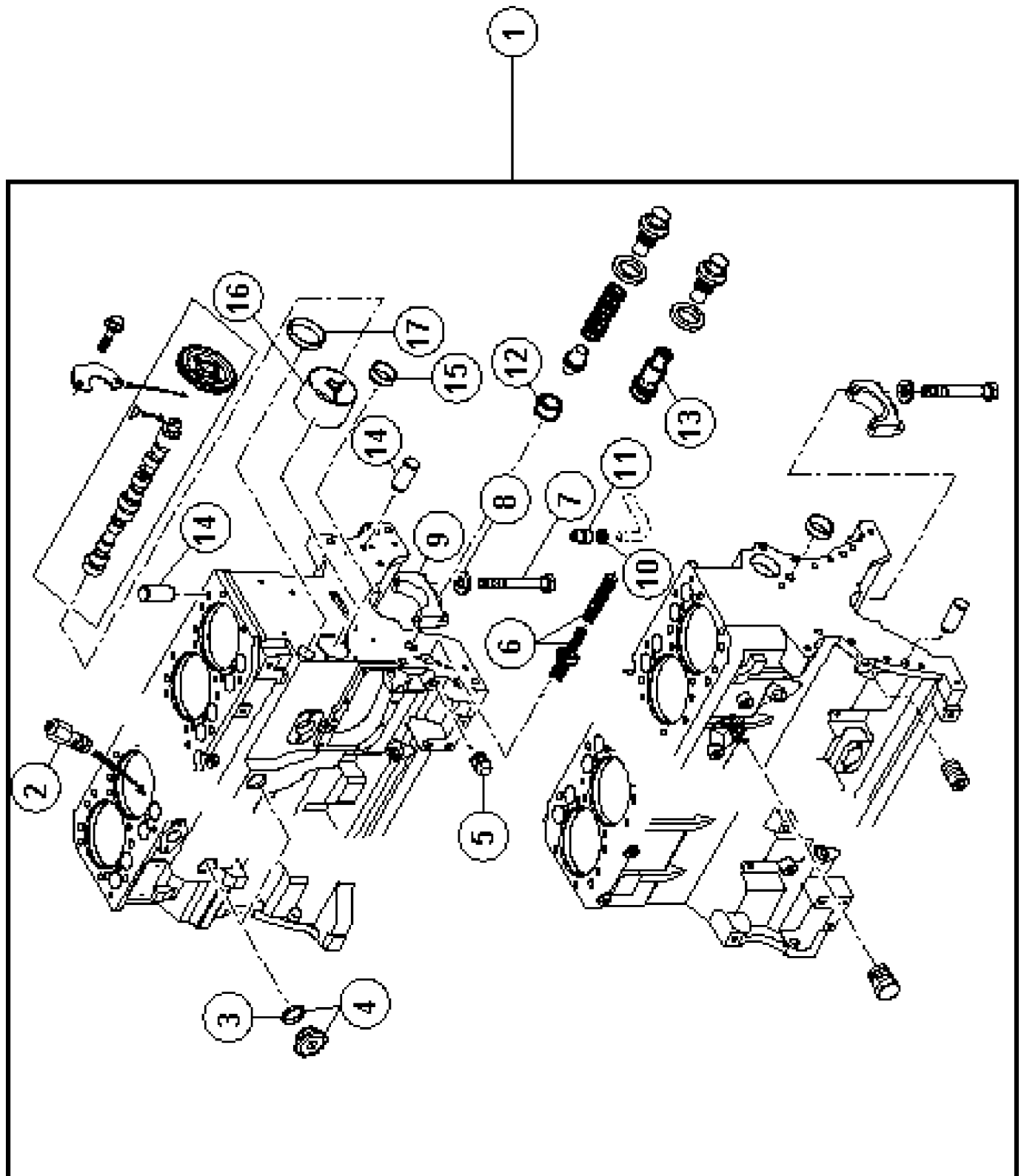


010 COMPLETE ENGINE

Pos.	Part No.	Description	Dimension	Quantity	Conditions
1	77 0005 035 6	ENGINE		1	1)
1	77 0005 035 7	ENGINE		1	2)
1)	Homologationtype		+ 4312 ->PL.10.1.03.A		
2)	Homologationtype		+ 4322 ->PL.10.1.03.A		



<https://www.ebooklibonline.com>

Hello dear friend!

Thank you very much for reading.

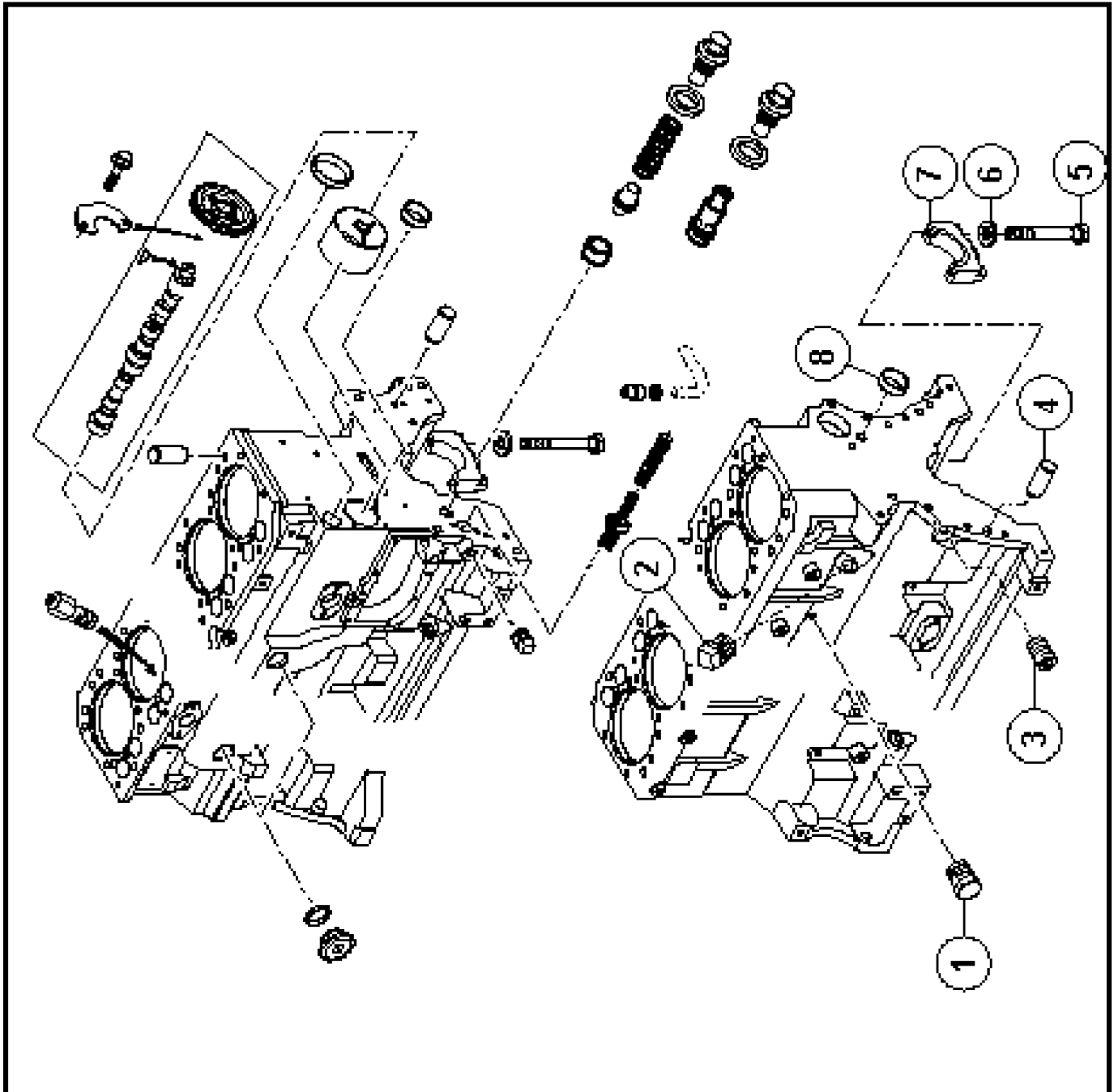
Enter the link into your browser.

The full manual is available for immediate download.

<https://www.ebooklibonline.com>

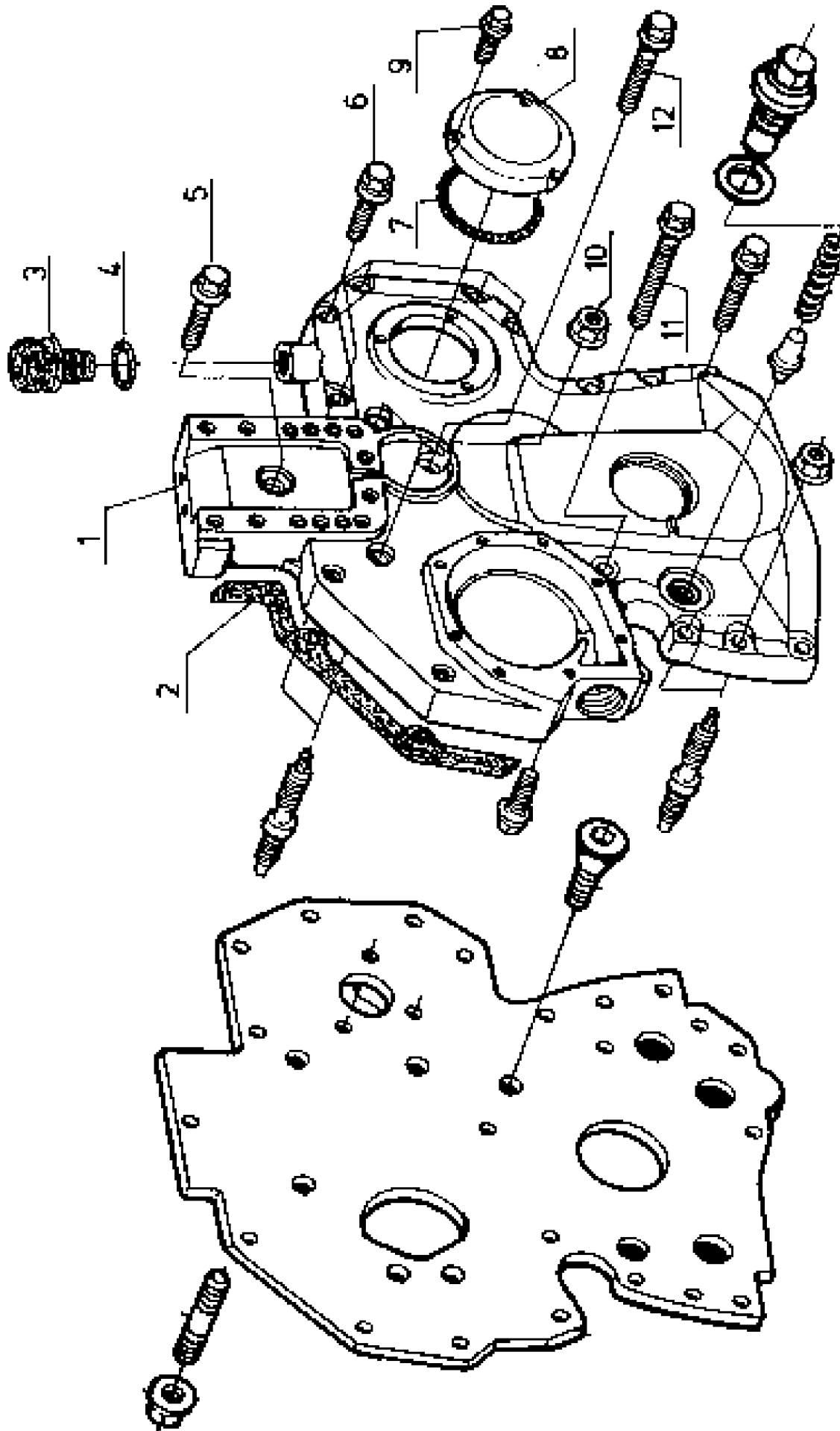
100 CRANKCASE

Pos.	Part No.	Description	Dimension	Quantity	Conditions
1	FA-CONSIGN ES	Consignes - CS		1	
-		<i>Please order!</i>			
	60 0502 339 2	SEAL KIT		1,000	
	60 0502 866 8	SCREW		1,000	
	60 0503 033 2	SHORT BLOCK		1,000	
	60 0503 045 1	SPACER		1,000	
	60 0503 053 1	CRANKSHAFT PULLEY		1,000	
2	60 0502 143 6	SPRAY NOZZLE		6	
3	60 0502 339 4	O-RING		2	
4	60 0502 339 5	LOCK		2	
5	60 0501 320 2	LOCK		1	
6	60 0501 402 9	VALVE		1	
7	60 0501 320 6	SCREW		12	
8	60 0502 143 7	WASHER	13X22X2,5	12	
9	60 0502 143 8	COVER		6	
10	60 0501 334 1	O-RING		1	
11	60 0501 597 2	BUSHING		1	
12	60 0501 319 9	BUSHING		1	1)
13	60 0502 869 1	VALVE		1	2)
14	60 0501 319 6	CENTRING PIN		2	
15	60 0501 319 8	BLANKING COVER		1	
16	60 0501 294 1	BEARING		1	
17	60 0502 143 9	BLANKING COVER		1	
1)	Motor	6068HRT51 6068TRT52	up to CD6068H663165 up to CD6068T663165		
2)	Motor	6068HRT51 6068TRT52	from CD6068H663166 from CD6068T663166		



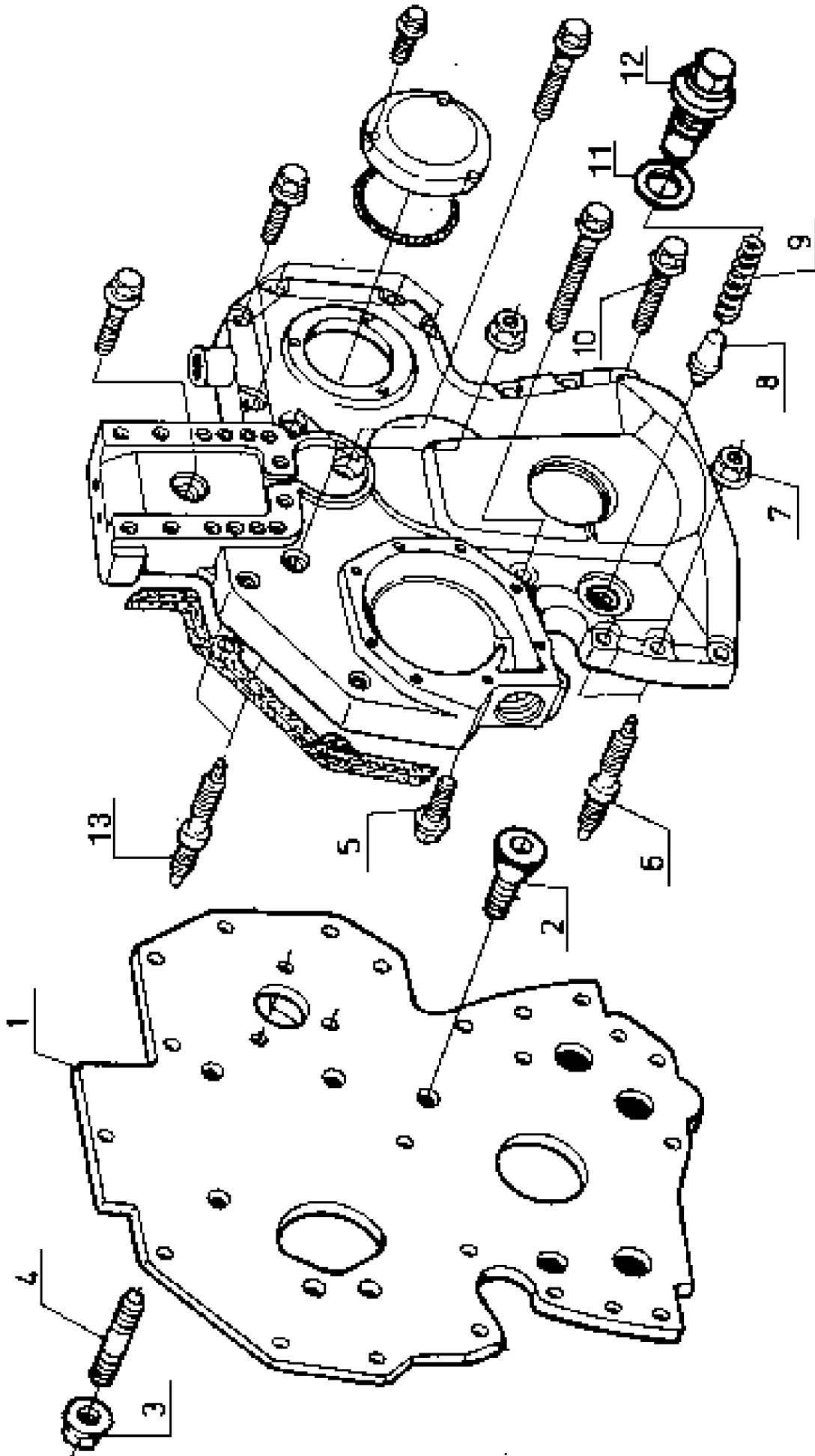
100 CRANKCASE

Pos.	Part No.	Description	Dimension	Quantity	Conditions
1	60 0502 665 3	PLUG		1	
2	60 0501 321 0	PLUG		1	
3	60 0502 144 0	LOCK		5	
4	60 0501 317 4	CENTRING PIN		2	
5	60 0501 320 6	SCREW		2	
6	60 0502 143 7	WASHER	13X22X2,5	2	
7	60 0502 144 1	COVER		1	
8	60 0501 319 8	BLANKING COVER		1	



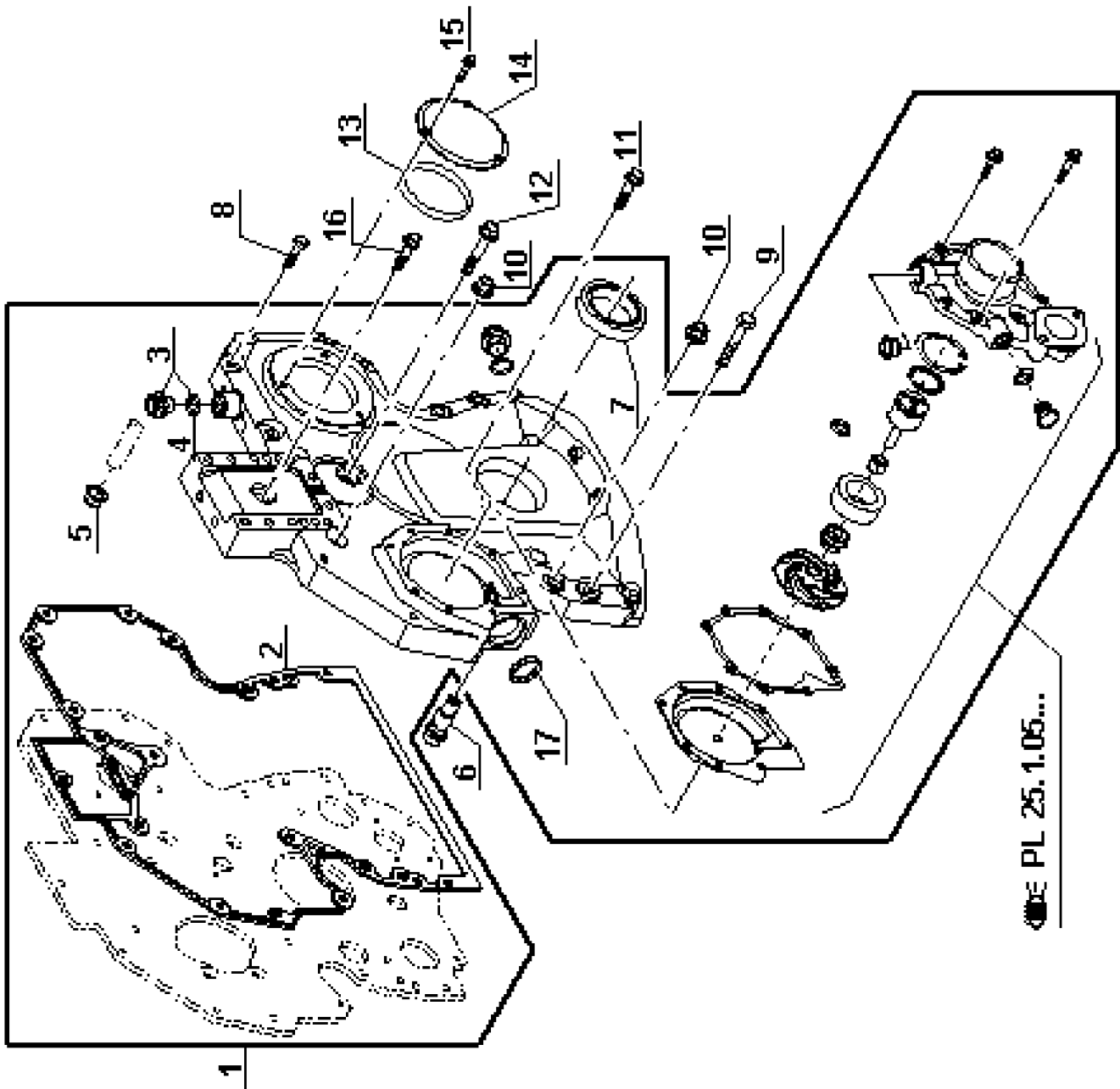
120 TIMING CASE 1)

Pos.	Part No.	Description	Dimension	Quantity	Conditions
1	FA-CONSIGN ES	Consignes - CS		1	
-		<i>Please order!</i> 60 0502 869 0 HOUSING		1,000	
2	60 0502 144 3	GASKET		1	
3	60 0502 895 5	SCREW PLUG	F-M20X1,5	1	
4	77 0002 464 6	O-RING	17X2-N ERS.D. 0238209.0	1	
5	60 0502 144 4	SCREW	M8X35	1	
6	60 0502 144 5	SCREW	M8X45	6	
7	60 0502 144 6	O-RING		1	
8	60 0502 144 7	COVER		1	
9	60 0502 144 8	SCREW	M6X16	3	
10	60 0502 144 9	NUT		6	
11	60 0502 145 0	SCREW	M08X60	1	
12	60 0502 339 6	SCREW		1	
1)	Motor	6068HRT51 6068TRT52	up to CD6068H693156 up to CD6068T693156		



120 TIMING CASE 1)

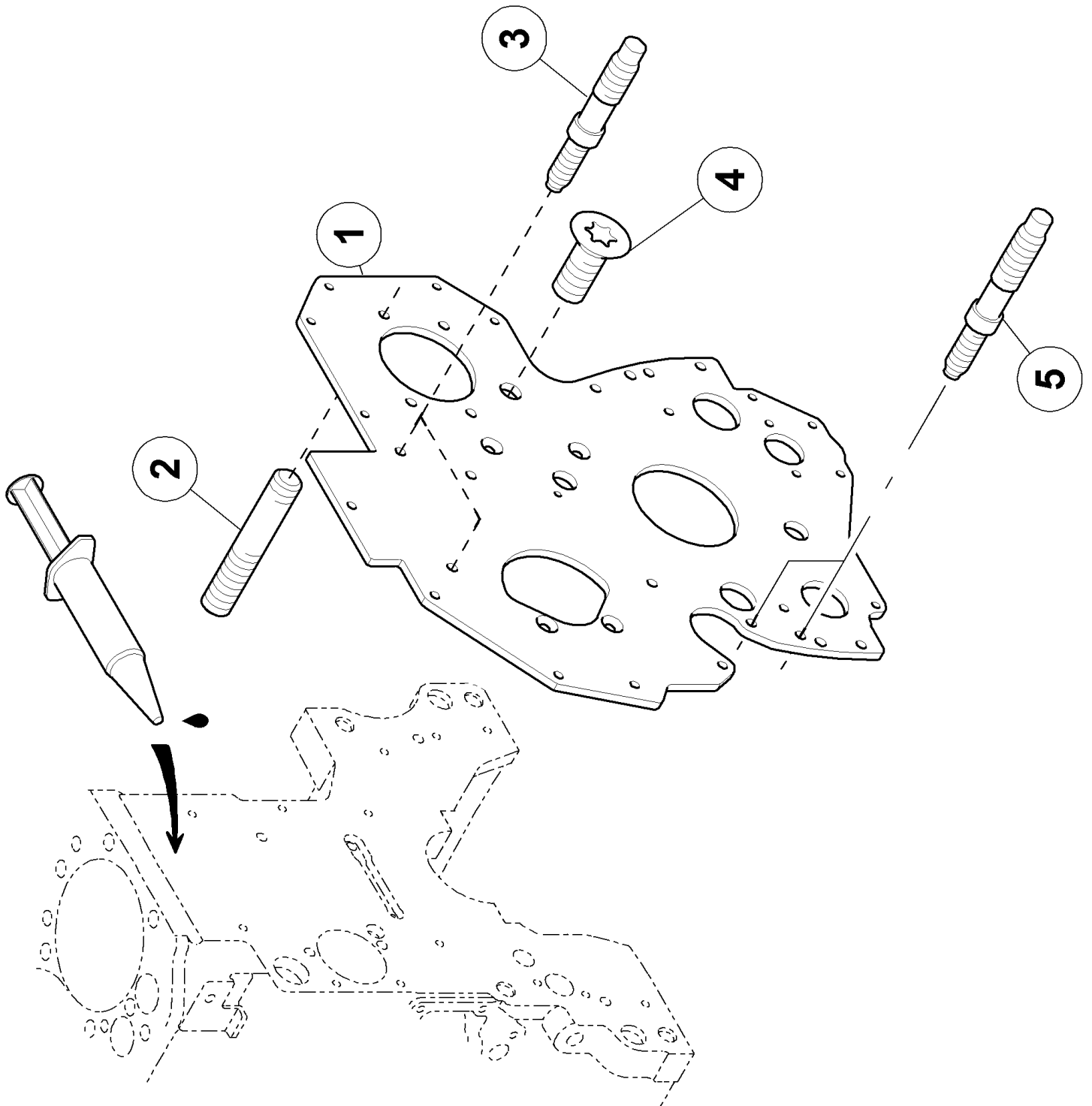
Pos.	Part No.	Description	Dimension	Quantity	Conditions
1	60 0502 145 2	PLATE		1	
2	60 0502 339 7	SCREW		4	
3	60 0502 145 4	FLANGE NUT	M08	3	
4	60 0502 145 5	STUD BOLT		3	
5	60 0502 145 6	SCREW	M8X25	1	
6	60 0502 145 7	STUD BOLT		4	
7	60 0502 144 9	NUT		6	
8	60 0501 277 5	VALVE		1	
9	60 0501 277 4	SPRING		1	
10	60 0502 145 8	SCREW		2	
11	60 0501 277 2	WASHER		1	
12	60 0501 277 1	SCREW		1	
13	60 0502 339 8	STUD BOLT		2	
1)	Motor	6068HRT51 6068TRT52			up to CD6068H693156 up to CD6068T693156



PL 25.1.05...

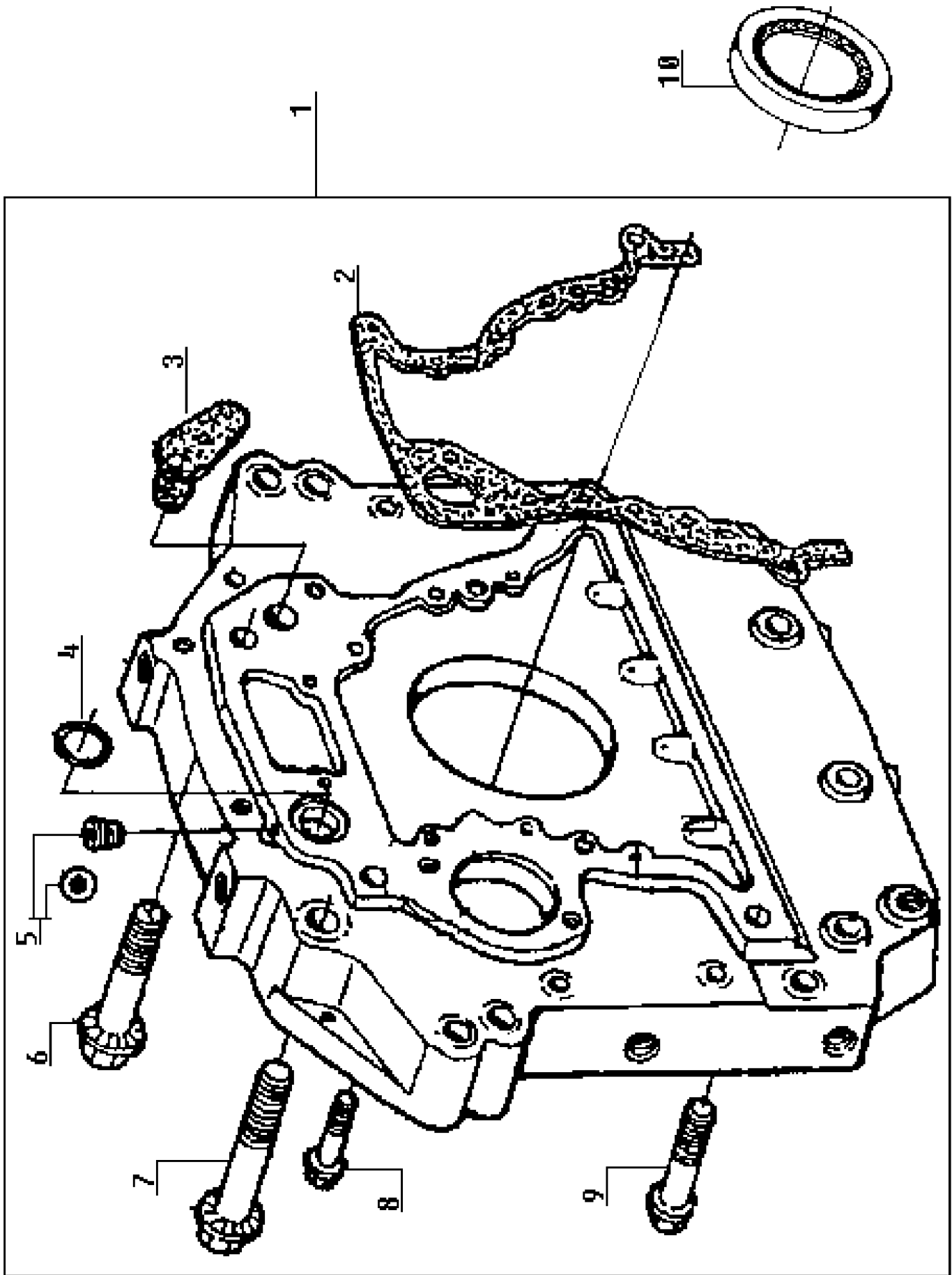
120 TIMING CASE 1)

Pos.	Part No.	Description	Dimension	Quantity	Conditions
1	60 0502 869 0	HOUSING		1	
2	60 0502 144 3	GASKET		1	
3	60 0502 895 5	SCREW PLUG	F-M20X1,5	1	
4	77 0002 464 6	O-RING	17X2-N ERS.D. 0238209.0	1	
5	60 0502 163 0	SEALING RING		1	
6	60 0502 869 1	VALVE		1	
7	60 0503 024 7	SEALING RING		1	
8	60 0502 144 5	SCREW	M8X45	6	
9	60 0502 145 8	SCREW		2	
10	60 0502 144 9	NUT		6	
11	60 0502 145 0	SCREW	M08X60	1	
12	60 0502 339 6	SCREW		1	
13	60 0502 144 6	O-RING		1	
14	60 0502 144 7	COVER		1	
15	60 0502 144 8	SCREW	M6X16	3	
16	60 0502 144 4	SCREW	M8X35	1	
17	60 0500 796 4	O-RING	37,69 X 3,53 NBR 80	1	
1)	Motor	6068HRT51 6068TRT52	from CD6068H693157 from CD6068T693157		



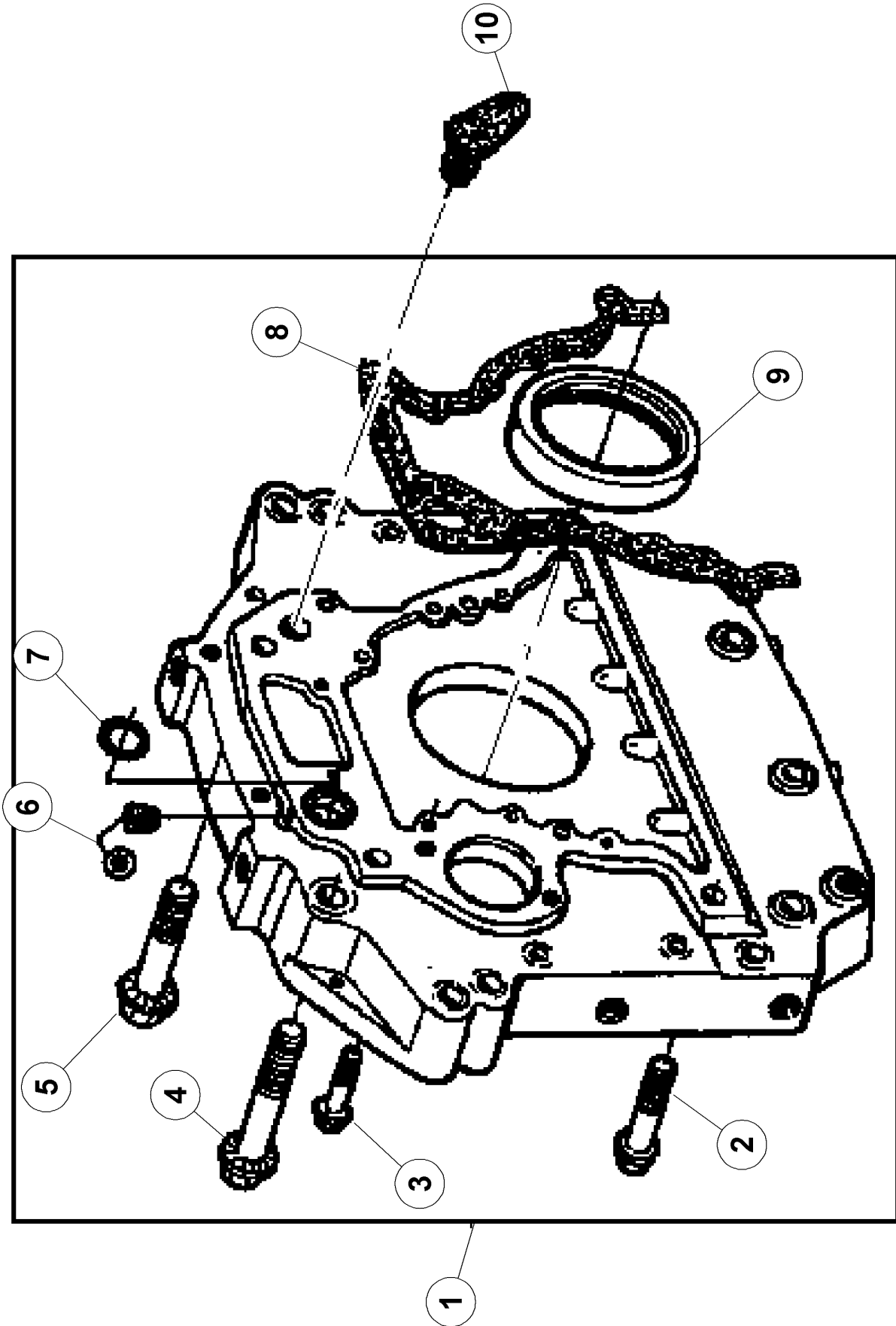
120 TIMING CASE 1)

Pos.	Part No.	Description	Dimension	Quantity	Conditions
1	60 0502 145 2	PLATE		1	
2	60 0502 145 5	STUD BOLT		3	
3	60 0502 339 8	STUD BOLT		2	
4	60 0502 339 7	SCREW		4	
5	60 0502 145 7	STUD BOLT		4	
1)	Motor	6068HRT51 6068TRT52	from CD6068H693157 from CD6068T693157		



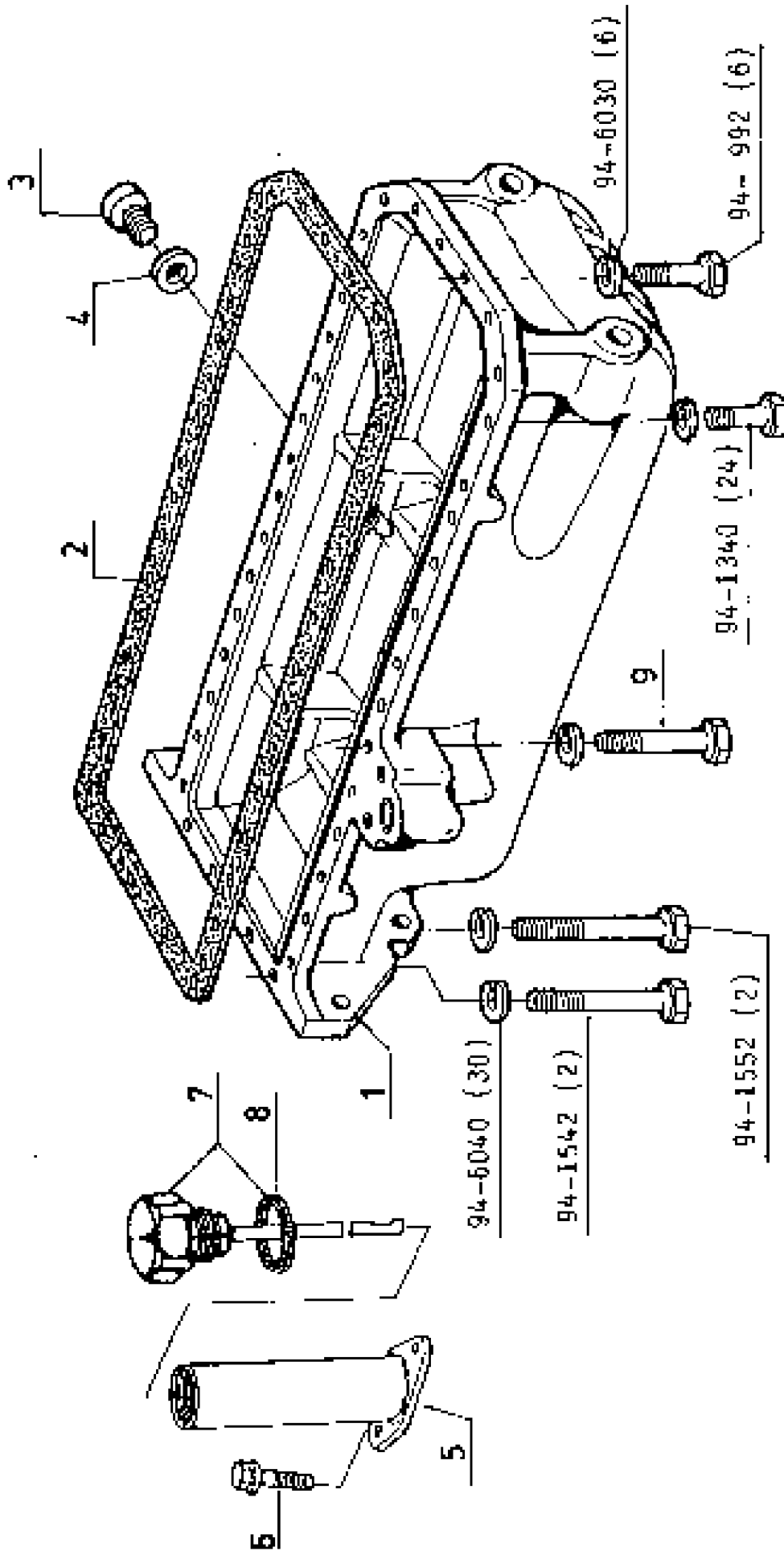
140 FLYWHEEL HOUSING 1)

Pos.	Part No.	Description	Dimension	Quantity	Conditions
1	60 0502 340 3	HOUSING		1	
2	60 0502 146 1	GASKET		1	
3	60 0501 278 6	BLANKING COVER		1	
4	77 0005 079 6	O-RING		1	
5	60 0502 146 4	LOCK		1	
6	60 0502 146 5	SCREW		1	
7	60 0502 146 6	SCREW		1	
8	60 0502 146 7	SCREW	M12X40	8	
9	60 0502 777 3	SCREW	M16X60	2	
10	60 0501 279 0	SHAFT SEAL	118X146X15	1	
1)	Motor	6068HRT51 6068TRT52			up to CD6068H564699 up to CD6068T564699



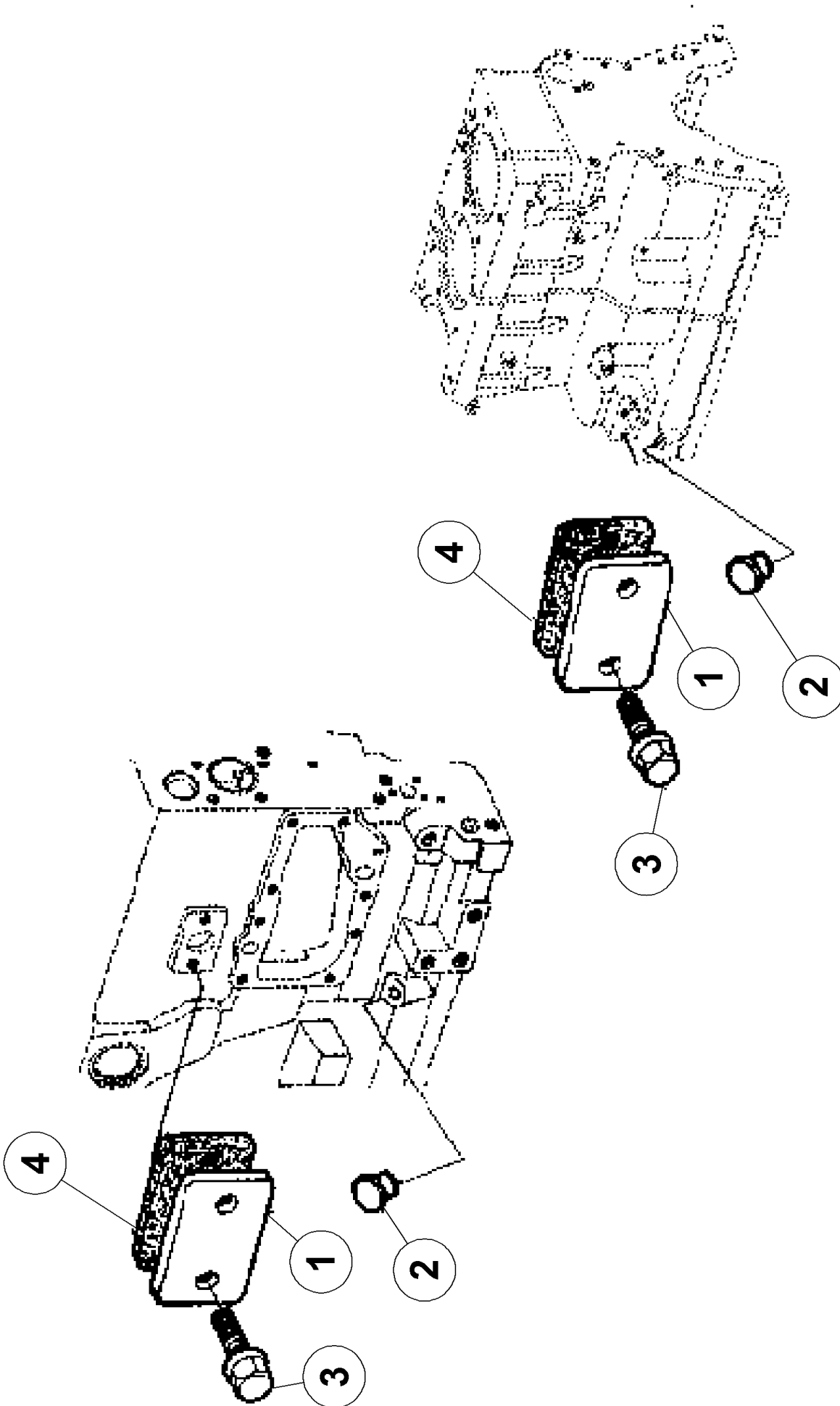
140 FLYWHEEL HOUSING 1)

Pos.	Part No.	Description	Dimension	Quantity	Conditions
1	60 0502 603 2	HOUSING		1	
2	60 0502 777 3	SCREW	M16X60	2	
3	60 0502 146 7	SCREW	M12X40	8	
4	60 0502 146 6	SCREW		1	
5	60 0502 146 5	SCREW		1	
6	60 0502 146 4	LOCK		1	
7	60 0501 604 9	O-RING		1	
8	77 0005 577 1	GASKET		1	
9	60 0501 279 0	SHAFT SEAL	118X146X15	1	
10	60 0501 278 6	BLANKING COVER		1	
1)	Motor	6068HRT51 6068TRT52	from CD6068H564700 from CD6068T564700		



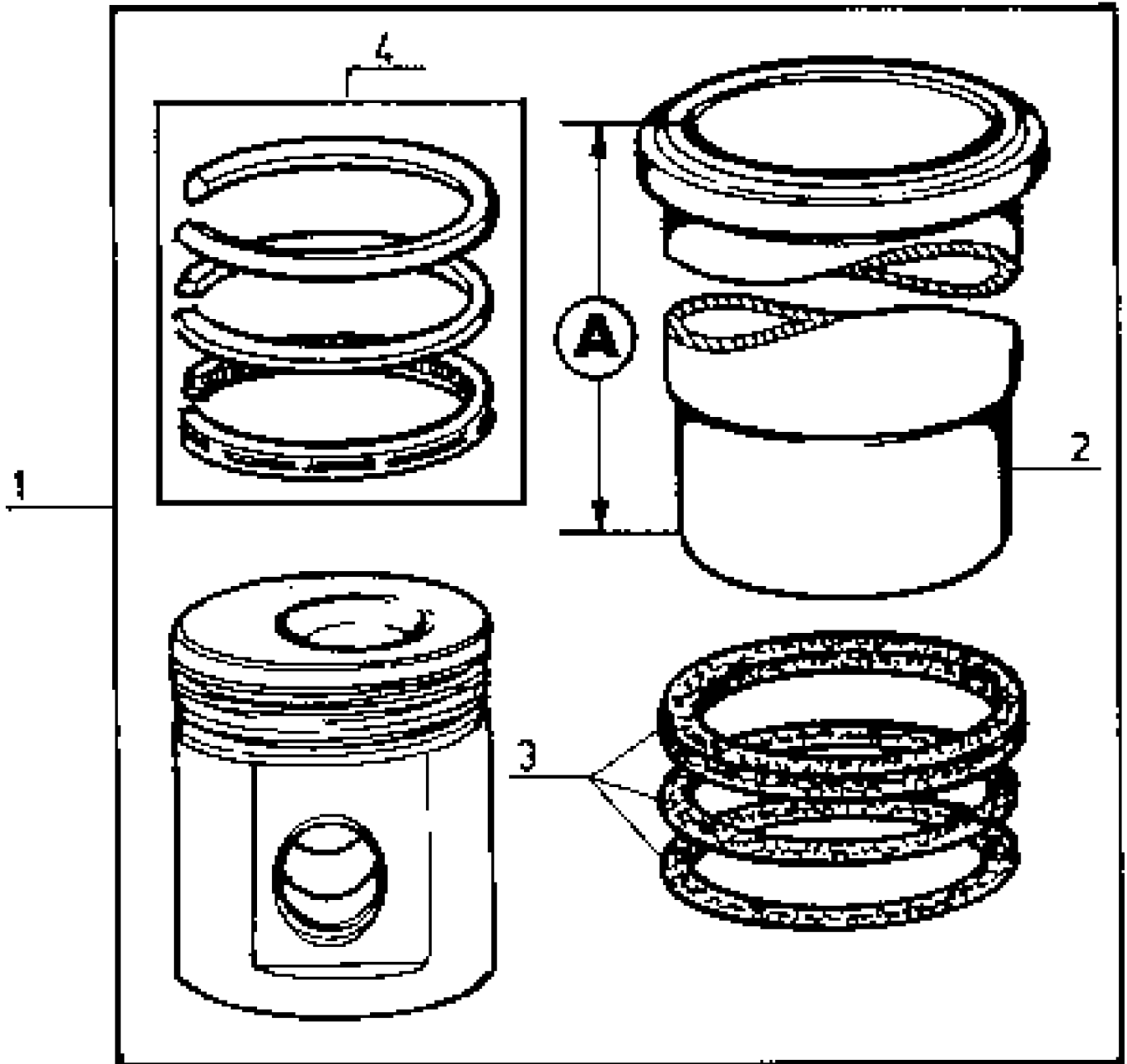
160 OIL PAN

Pos.	Part No.	Description	Dimension	Quantity	Conditions
1	60 0502 146 9	HOUSING		1	
2	60 0502 666 6	GASKET		1	
3	60 0501 279 3	LOCK		1	
4	60 0501 211 0	GASKET		1	
5	60 0501 279 4	TUBE		1	
6	60 0502 145 6	SCREW	M8X25	2	
7	60 0502 147 0	GAUGE		1	
8	60 0501 334 6	O-RING		1	
9	60 0502 147 1	SCREW		2	



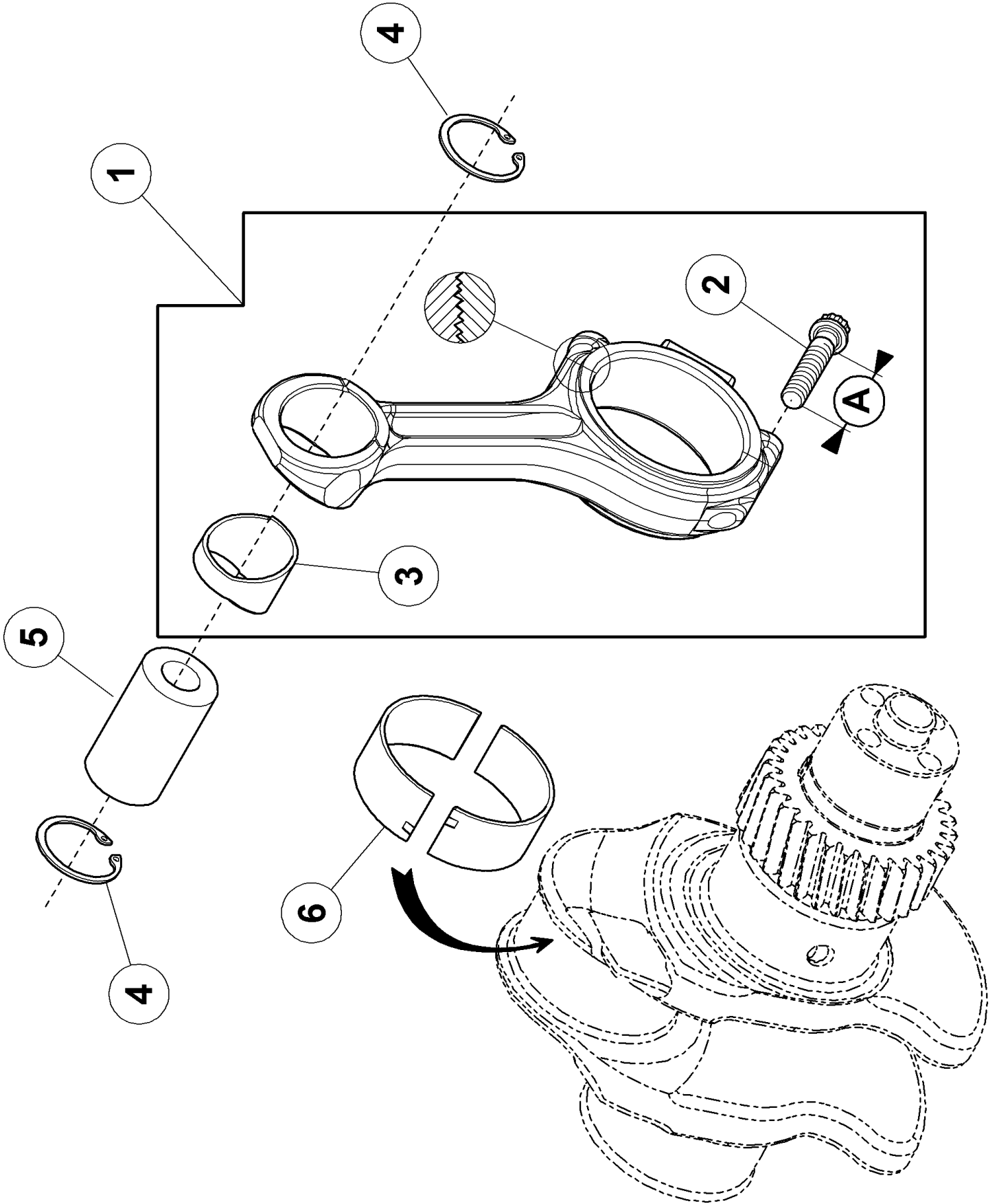
180 PLUGS

Pos.	Part No.	Description	Dimension	Quantity	Conditions
1	60 0502 470 2	PLATE		2	
2	60 0502 662 4	PLUG		2	
3	60 0502 149 8	SCREW	M8X20	4	
4	60 0502 470 4	GASKET		2	



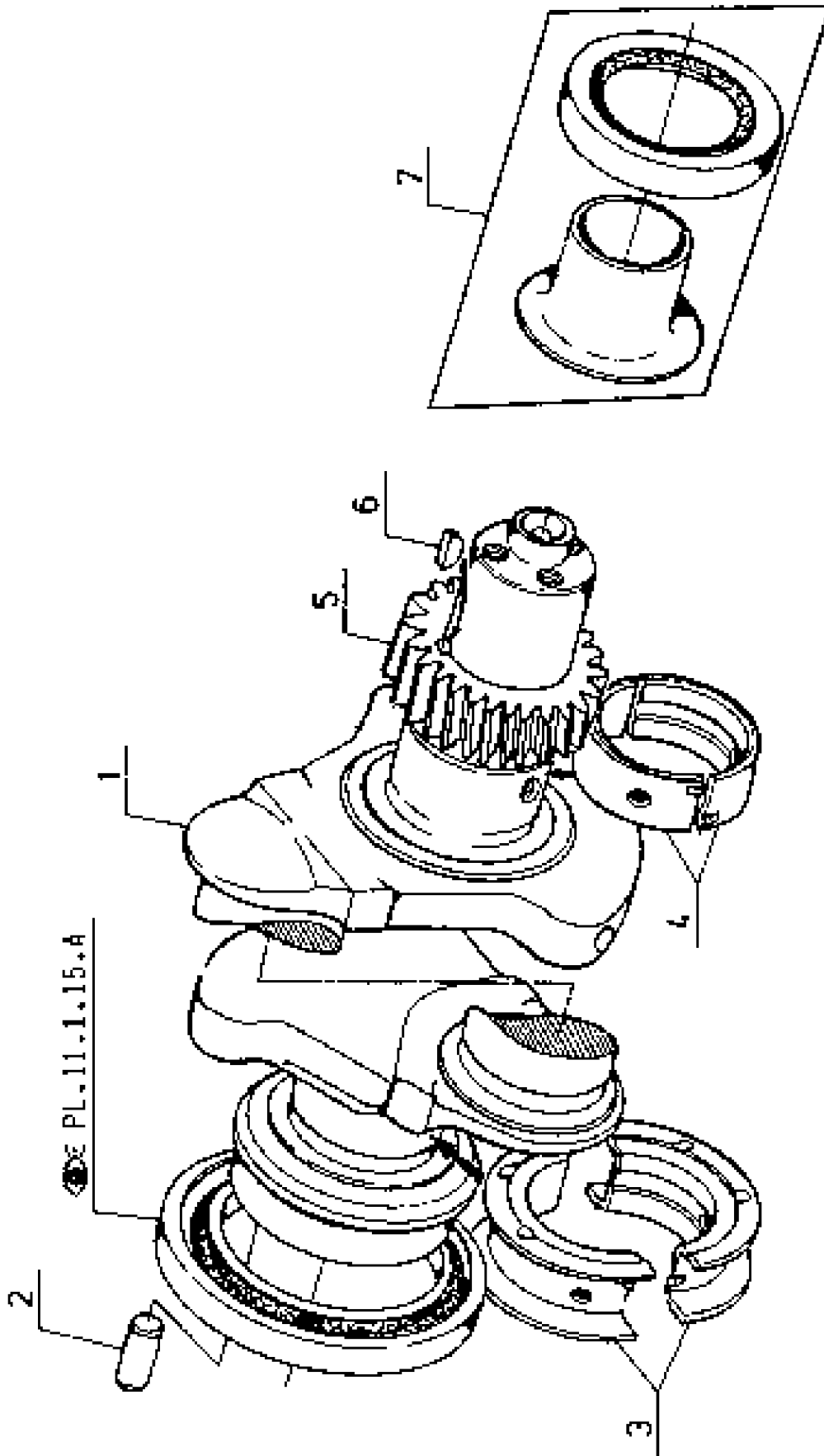
100 CYLINDER LINER, PISTON

Pos.	Part No.	Description	Dimension	Quantity	Conditions
1	60 0502 147 2	PISTON-LINER		6	1)
1	FA-CONSIGN ES	Consignes - CS		6	2)
-		<i>Please order!</i>			
	<i>60 0502 869 4</i>	<i>PISTON-LINER</i>		1,000	
2	FA-CONSIGN ES	Consignes - CS		6	3)
-		<i>Please order!</i>			
	<i>60 0502 593 8</i>	<i>PISTON-LINER</i>		1,000	
3	60 0501 280 9	SEALING RING SET		6	
4	60 0501 281 0	SET OF PISTON RINGS		6	
1)	Motor	6068HRT51 6068TRT52	up to CD6068H529835 up to CD6068T529835		
2)	Motor	6068HRT51 6068TRT52	from CD6068H529836 from CD6068T529836		
3)	Remarks		A.218mm		



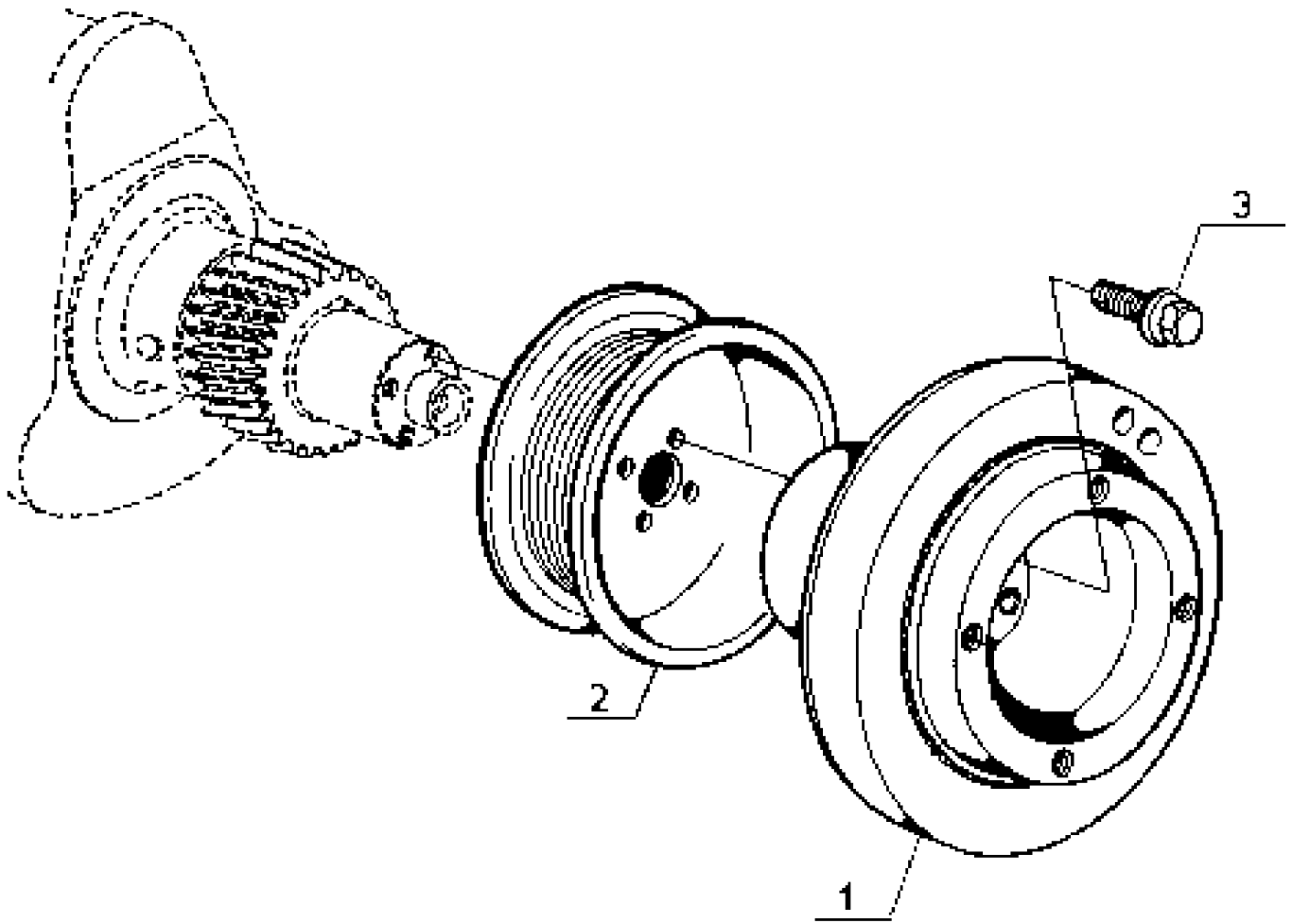
120 CONNECTING ROD, CONNECTING ROD BEARINGS

Pos.	Part No.	Description	Dimension	Quantity	Conditions
1	60 0502 453 6	CONNECTING ROD		6	
2	60 0502 453 7	SCREW	12 PTS M12 X 1,25 - 61	12	
3	60 0502 147 6	RING		6	
4	60 0501 281 4	INNER CIRCLIP		12	
5	60 0502 147 7	AXLE		6	
6	60 0502 147 8	BEARING		6	
6	60 0502 147 9	BEARING		6	1)
1)	Remarks		-0,254mm		



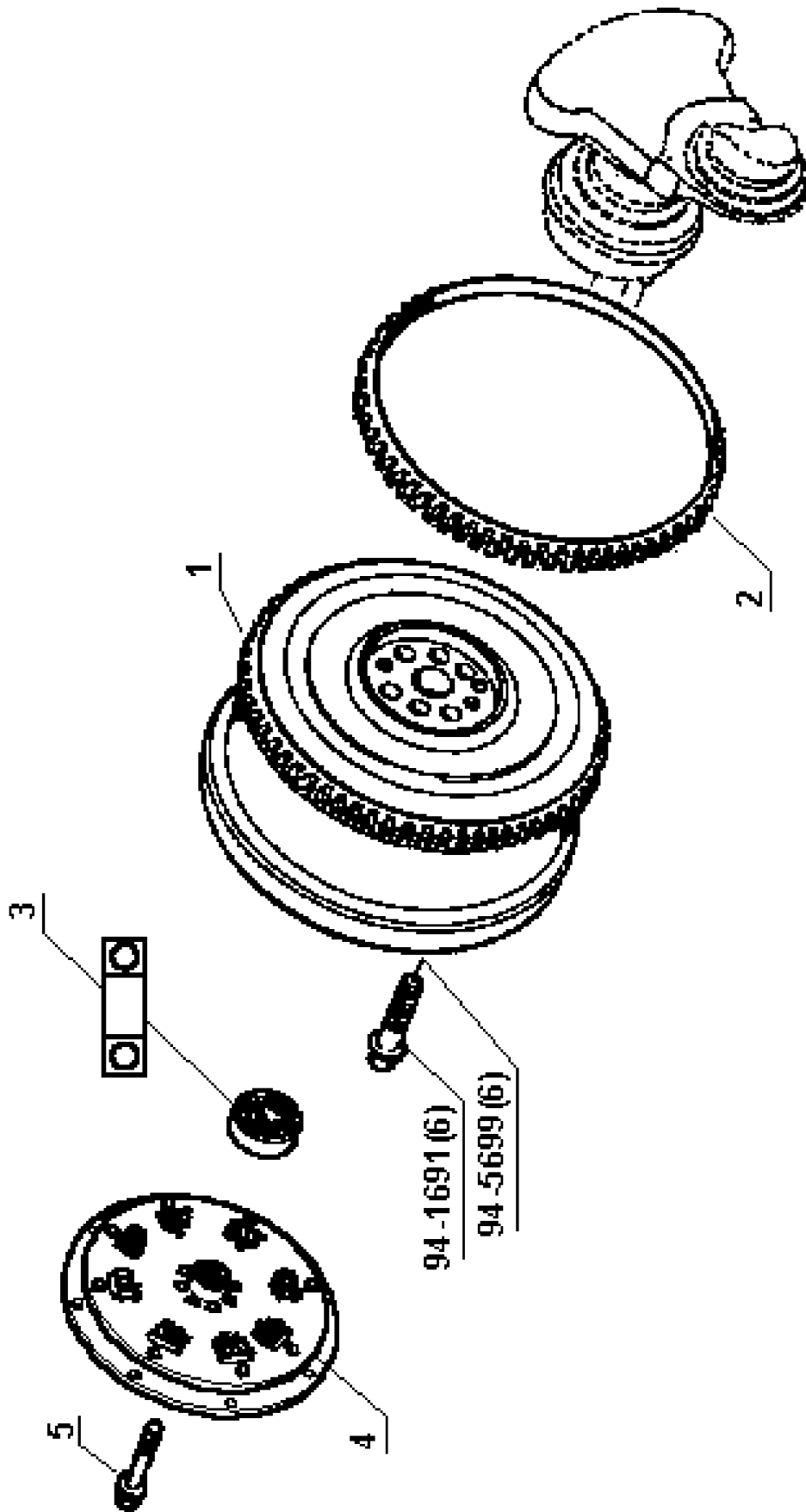
140 CRANKSHAFT

Pos.	Part No.	Description	Dimension	Quantity	Conditions
1	00 1136 680 0	CRANKSHAFT		1	
2	60 0501 317 4	CENTRING PIN		1	
3	60 0502 148 1	BEARING		1	
3	60 0502 148 2	BEARING		1	1)
4	60 0502 148 3	BEARING		6	
4	60 0502 148 4	BEARING		6	1)
5	60 0502 148 5	WHEEL		1	2)
6	60 0502 148 6	KEY		1	
7	60 0502 148 7	SLEEVE		1	
1)	Remarks		-0,254mm		
2)	Remarks		30dts.		



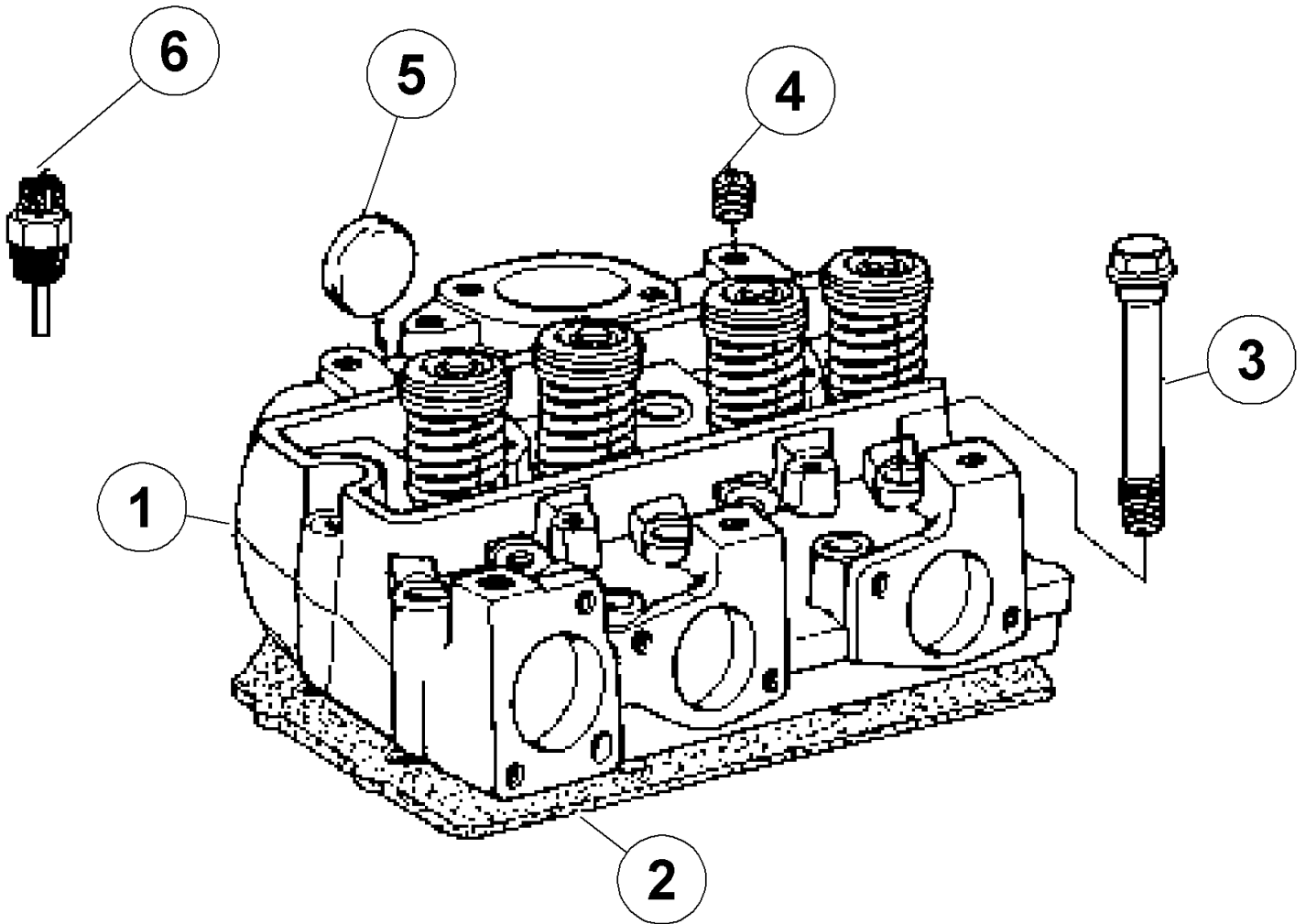
161 CRANKSHAFT PULLEY WHEEL

Pos.	Part No.	Description	Dimension	Quantity	Conditions
1	77 0005 324 2	ANTI-VIBRATION WHEEL		1	
2	60 0502 165 6	CRANKSHAFT PULLEY		1	
3	60 0502 165 7	SCREW		4	



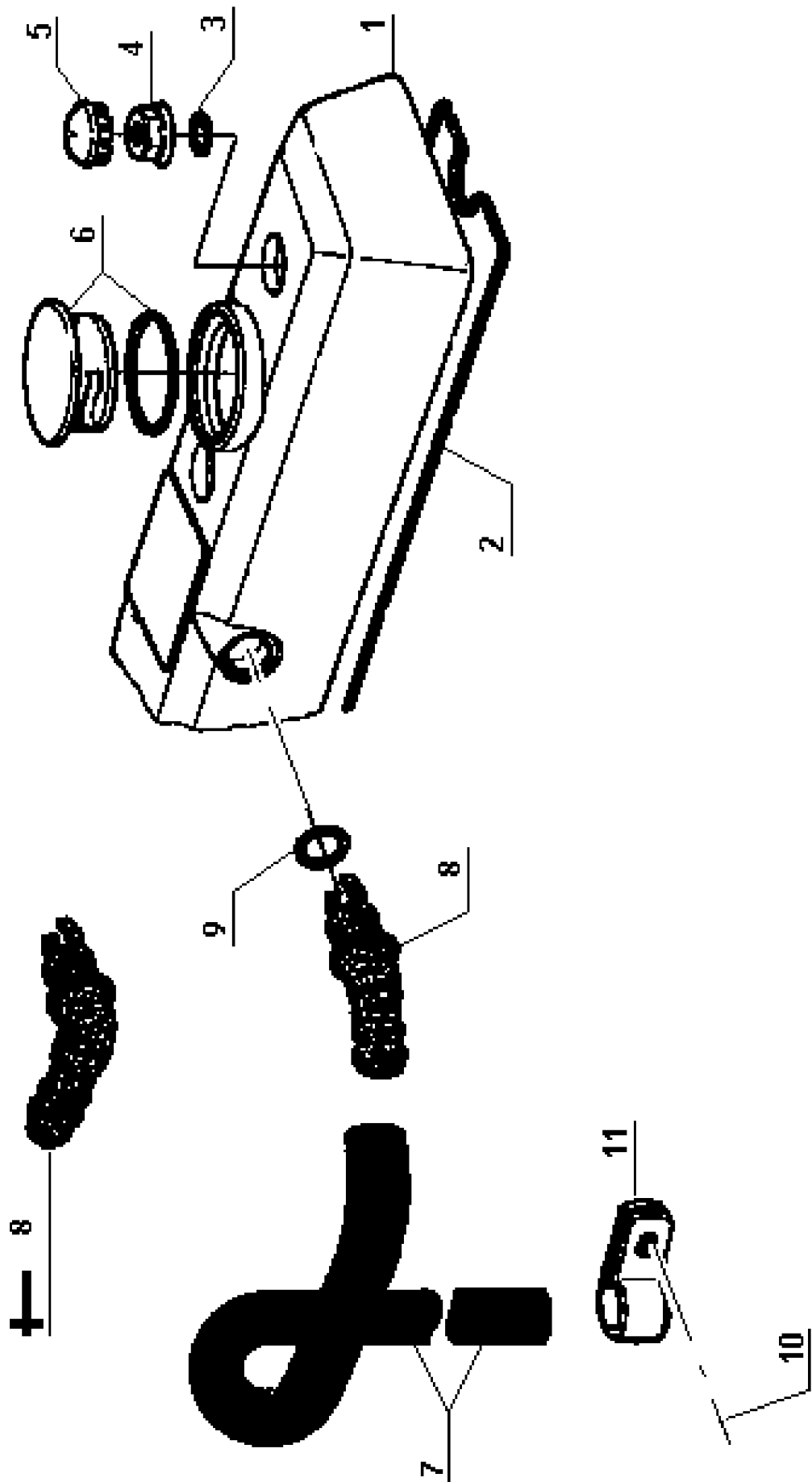
220 FLYWHEEL

Pos.	Part No.	Description	Dimension	Quantity	Conditions
1	77 0005 558 5	FLYWHEEL		1	
2	77 0004 728 5	TOOTHED RIM		1	1)
3	07 7062 062 3	BEARING-1 BALL		1	
4	77 0005 363 7	TORSION DAMPER		1	
5	77 0005 997 8	HEXAGON HEAD BOLT	M10X40	8	
1)	Remarks			142dts.	



100 CYLINDER HEAD

Pos.	Part No.	Description	Dimension	Quantity	Conditions
1	60 0502 149 0	CYLINDER HEAD		1	
2	60 0502 149 1	CYLINDER HEAD GASKET		1	
3	60 0501 288 6	SCREW		26	
4	60 0502 144 0	LOCK		1	
5	60 0501 288 3	LOCK		1	1)
5	60 0502 149 2	PLUG		3	2)
6	60 0501 344 2	SENDER UNIT		1	
1)	Remarks		DI.32,6		
2)	Remarks		DI.43,4		





Suggest:

For more complete manuals. Please go to the home page.

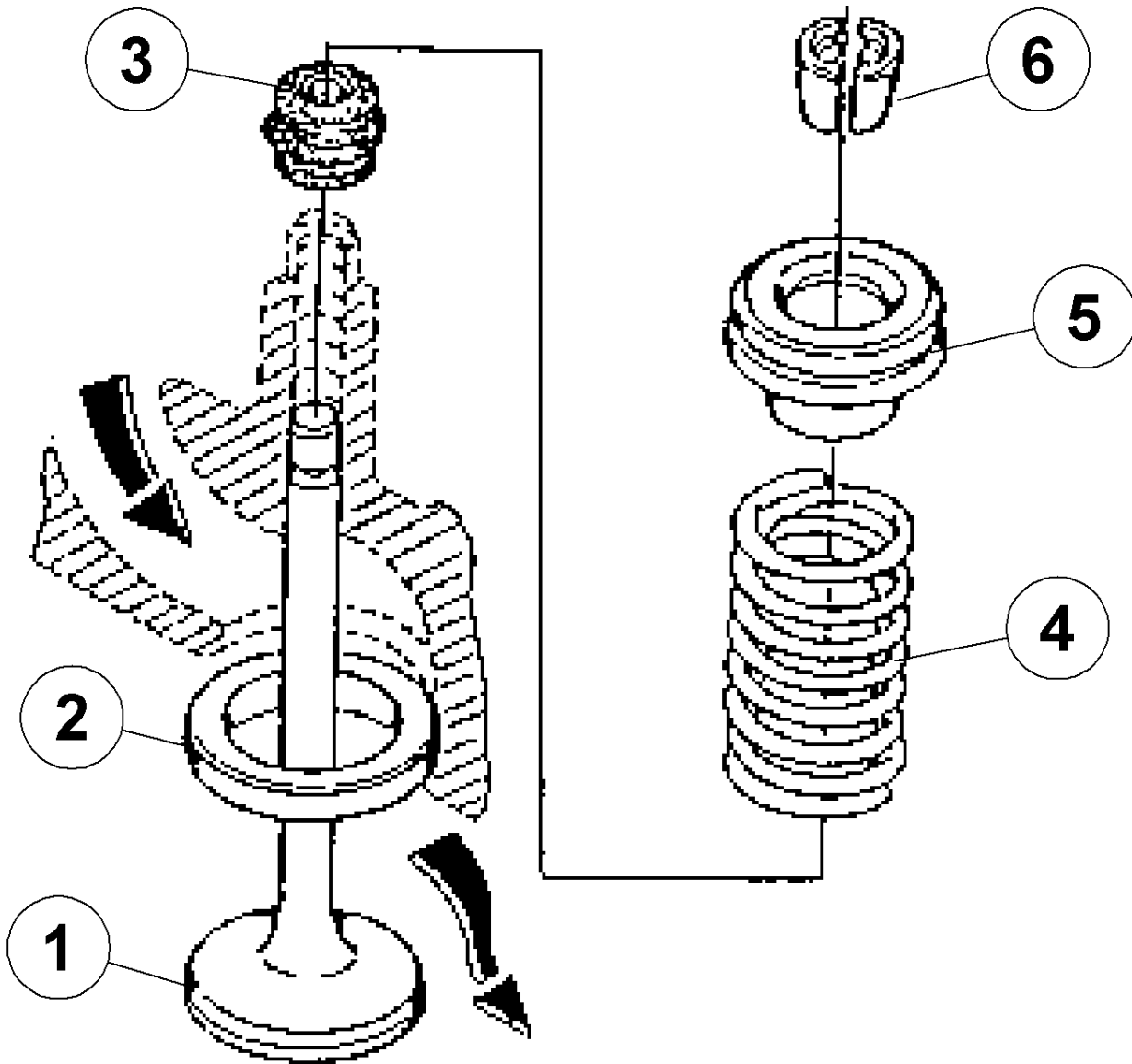
<https://www.ebooklibonline.com>

If the above button click is invalid. Please download this document first, and then click the above link to download the complete manual.

Thank you so much for reading

120 CYLINDER HEAD COVER

Pos.	Part No.	Description	Dimension	Quantity	Conditions
1	60 0502 149 3	ROCKER COVER		1	
2	60 0502 134 5	SEALING RING		1	
3	60 0502 134 7	O-RING	W.ERS. D. 0219 147.0	6	
4	60 0502 149 4	FLANGE NUT		6	
5	60 0502 134 4	PLUG		6	
6	60 0502 149 5	LOCK		1	
7	60 0502 150 0	HOSE		1	
8	60 0502 595 3	ELBOW CONNECTOR		1	1)
9	60 0500 901 5	O-RING		1	
10	60 0502 149 8	SCREW	M8X20	1	
11	60 0502 149 9	FLANGE		1	
1)	Remarks		135°		



140 VALVES

Pos.	Part No.	Description	Dimension	Quantity	Conditions
1	60 0501 290 8	ENGINE VALVE		6	
1	60 0501 290 9	ENGINE VALVE		6	1)
2	60 0501 291 0	VALVE SEAT		6	
3	60 0501 291 1	SEALING RING		6	
4	60 0501 291 3	SPRING		6	
5	60 0501 291 4	RETAINER		6	
6	60 0501 291 5	HALF-CONE		12	
1)	Remarks		+0,38mm		

<https://www.ebooklibonline.com>

Hello dear friend!

Thank you very much for reading.

Enter the link into your browser.

The full manual is available for immediate download.

<https://www.ebooklibonline.com>