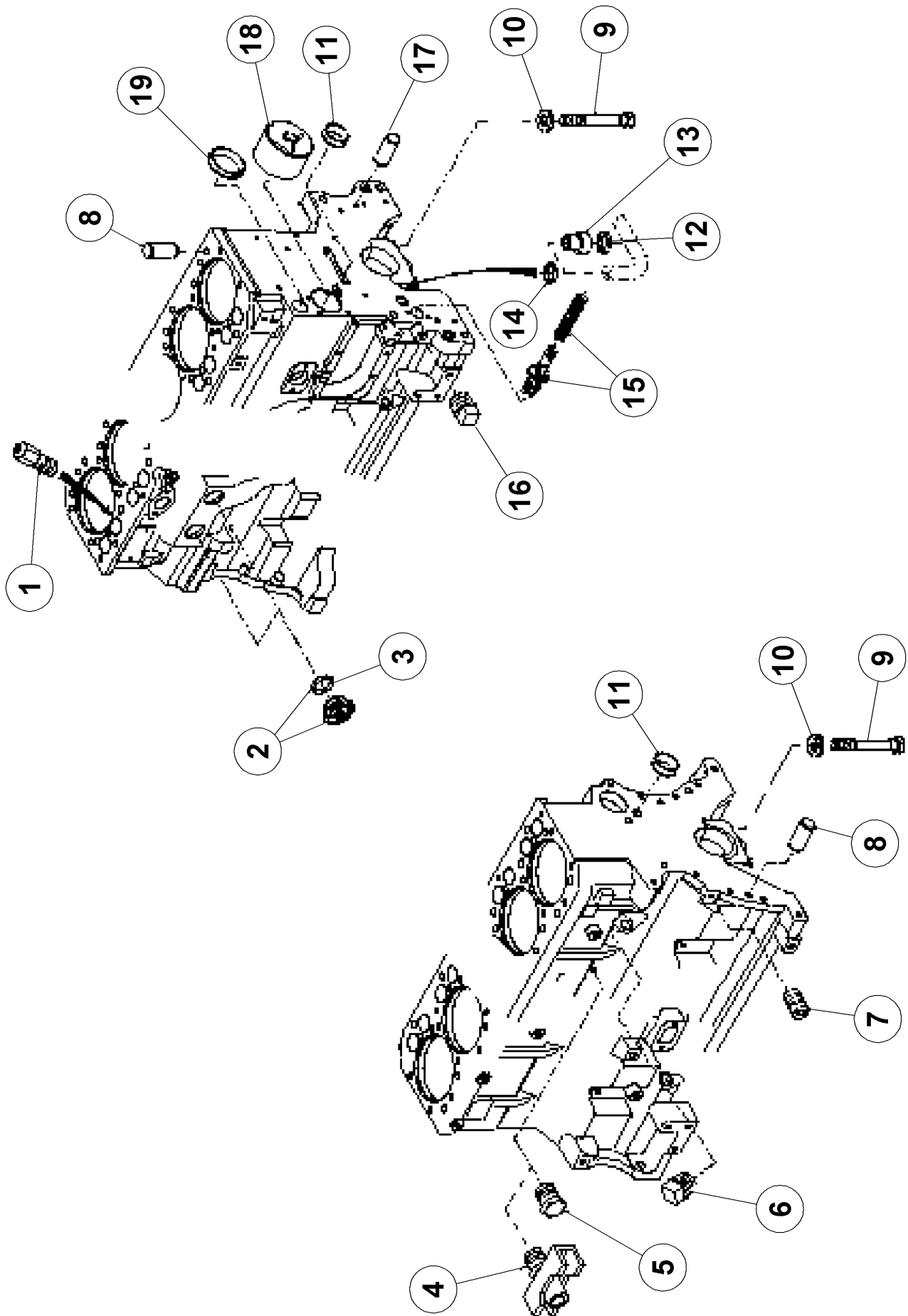


010 COMPLETE ENGINE

Pos.	Part No.	Description	Dimension	Quantity	Conditions
1	77 0006 888 5	ENGINE		1	1)
1	77 0006 888 6	ENGINE		1	2)
1	00 1110 061 0	ENGINE		1	3)
1)	Homologationtype			+ 8252	
2)	Homologationtype			+ 8262	
3)	Homologationtype			+ 8272	



<https://www.ebooklibonline.com>

Hello dear friend!

Thank you very much for reading.

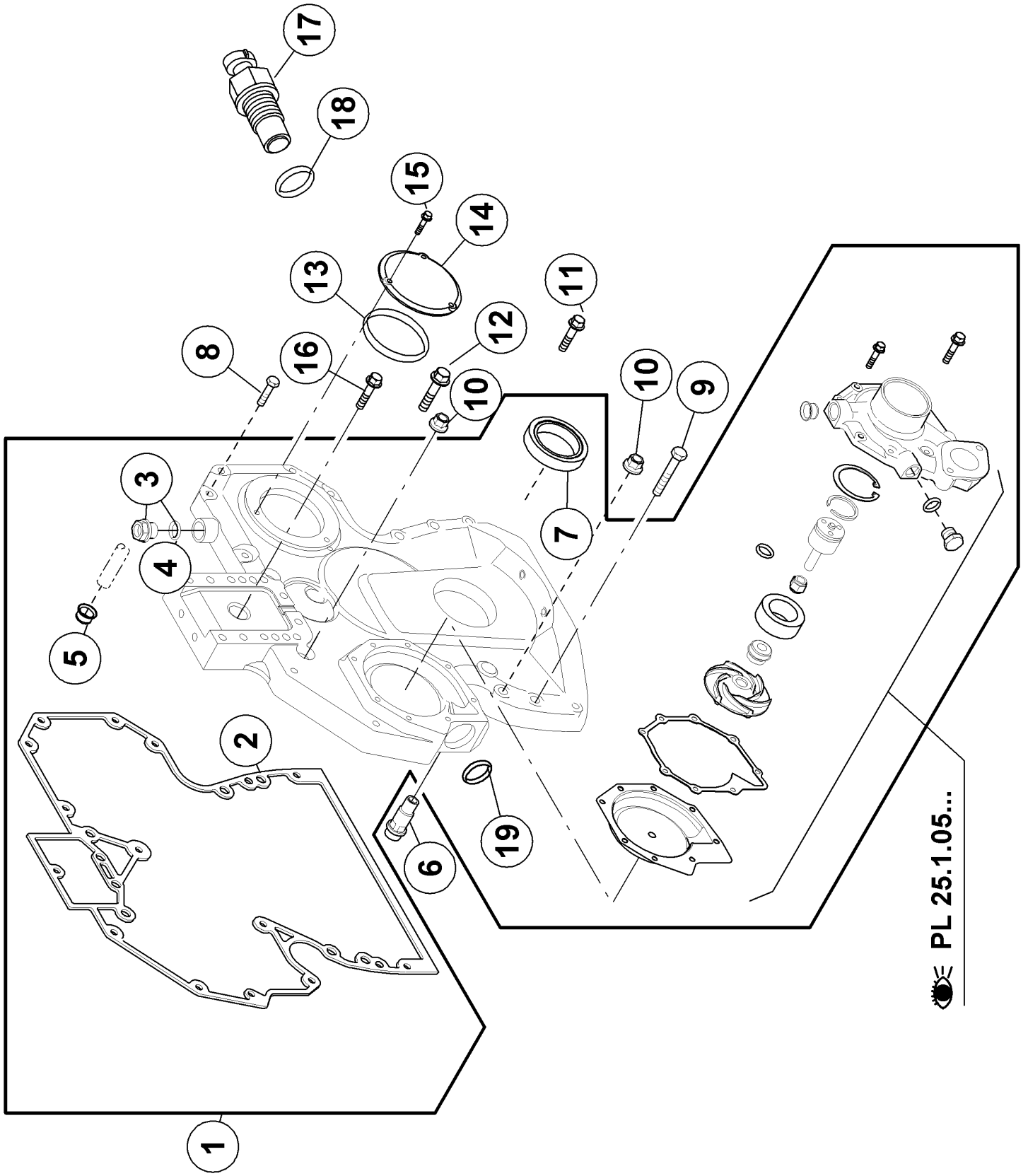
Enter the link into your browser.

The full manual is available for immediate download.

<https://www.ebooklibonline.com>

100 CRANKCASE

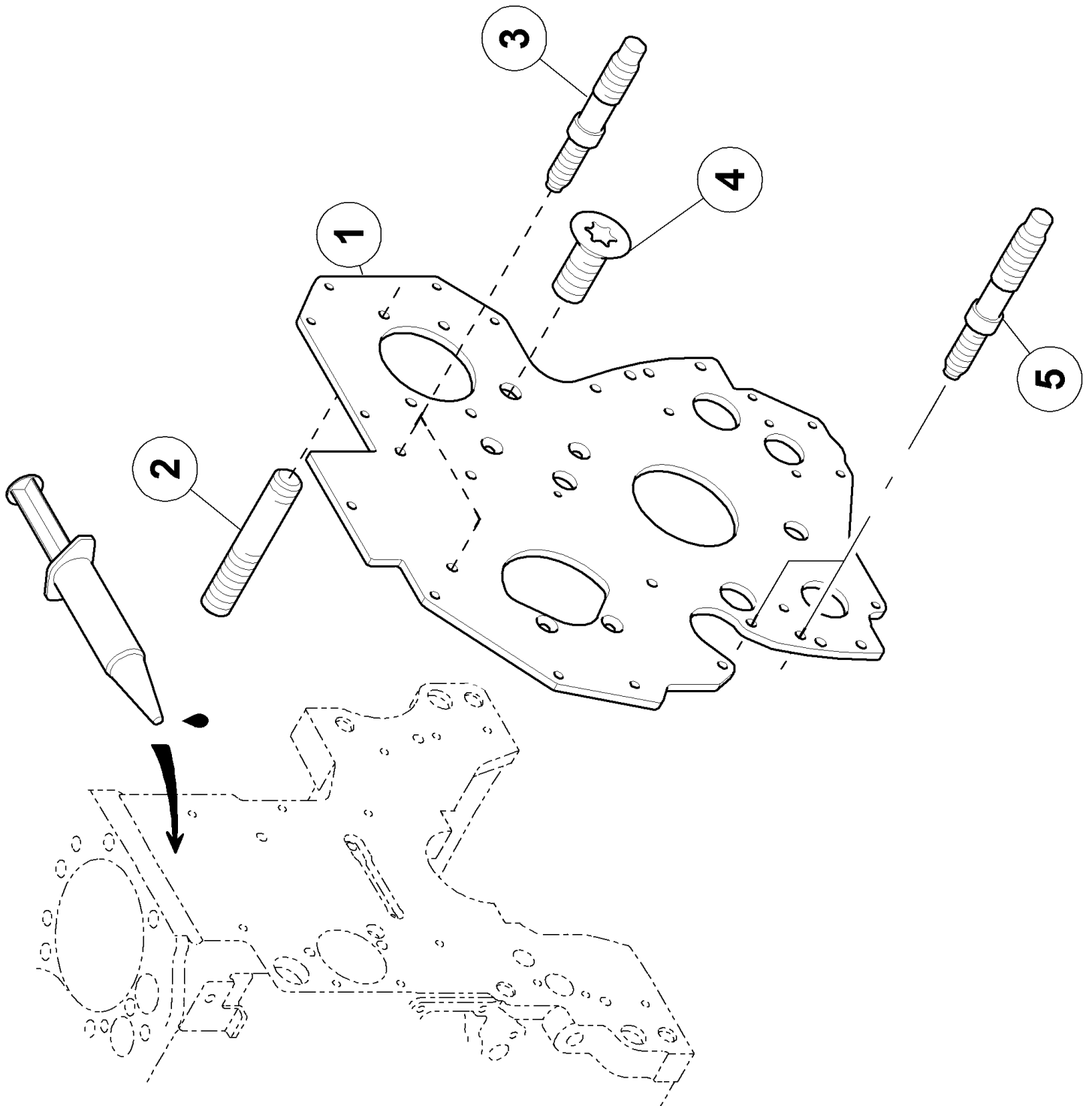
Pos.	Part No.	Description	Dimension	Quantity	Conditions
1	60 0502 143 6	SPRAY NOZZLE		4	
2	60 0502 905 2	PLUG		2	
3	60 0502 339 4	O-RING		2	
4	60 0501 320 7	VALVE		1	
5	60 0502 665 3	PLUG		1	
6	60 0501 321 0	PLUG		1	
7	60 0502 144 0	LOCK		1	
8	60 0501 317 4	CENTRING PIN		4	
9	60 0501 320 6	SCREW		10	
10	60 0502 143 7	WASHER	13X22X2,5	10	
11	60 0501 319 8	BLANKING COVER		2	
12	60 0501 334 1	O-RING		1	
13	60 0501 597 2	BUSHING		1	
14	60 0501 320 3	O-RING		1	
15	60 0501 402 9	VALVE		1	
16	60 0501 320 2	LOCK		1	
17	60 0501 319 6	CENTRING PIN		2	
18	60 0501 294 1	BEARING		1	
19	60 0502 143 9	BLANKING COVER		1	



PL 25.1.05...

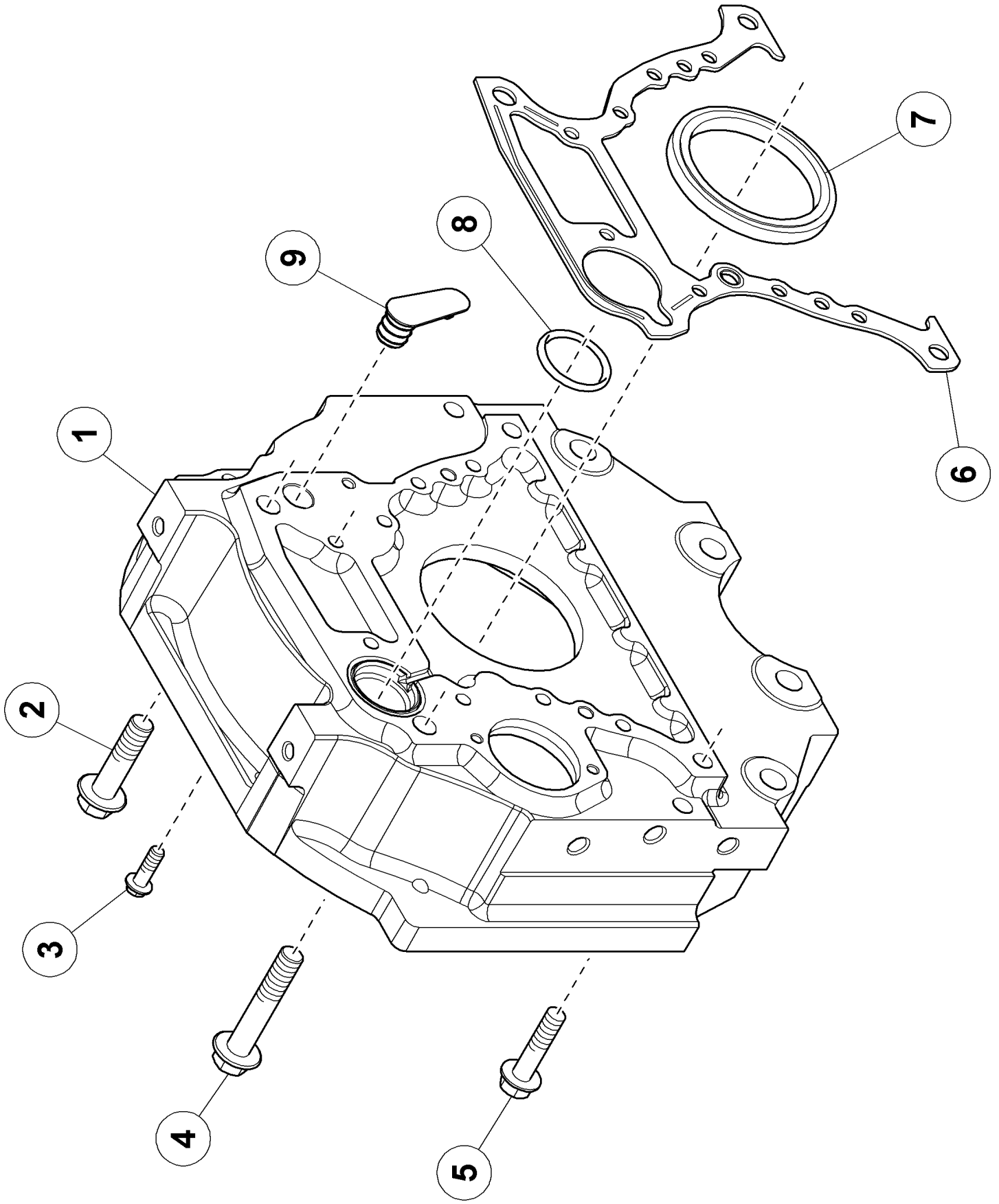
120 TIMING CASE

Pos.	Part No.	Description	Dimension	Quantity	Conditions
1	60 0502 869 0	HOUSING		1	
2	60 0502 144 3	GASKET		1	
3	60 0502 895 5	SCREW PLUG	F-M20X1,5	1	
4	77 0002 464 6	O-RING	17X2-N ERS.D. 0238209.0	1	
5	60 0502 163 0	SEALING RING		1	
6	60 0502 869 1	VALVE		1	
7	60 0503 024 7	SEALING RING		1	
8	60 0502 144 5	SCREW	M8X45	6	
9	60 0502 145 8	SCREW		2	
10	60 0502 144 9	NUT		6	
11	60 0502 145 0	SCREW	M08X60	1	
12	60 0502 339 6	SCREW		1	
13	60 0502 144 6	O-RING		1	
14	60 0502 144 7	COVER		1	
15	60 0502 144 8	SCREW	M6X16	3	
16	60 0502 144 4	SCREW	M8X35	1	
17	77 0007 199 7	SENSOR		1	1)
18	77 0002 464 6	O-RING	17X2-N ERS.D. 0238209.0	1	
1)	Remarks	vitesse mot.			



120 TIMING CASE

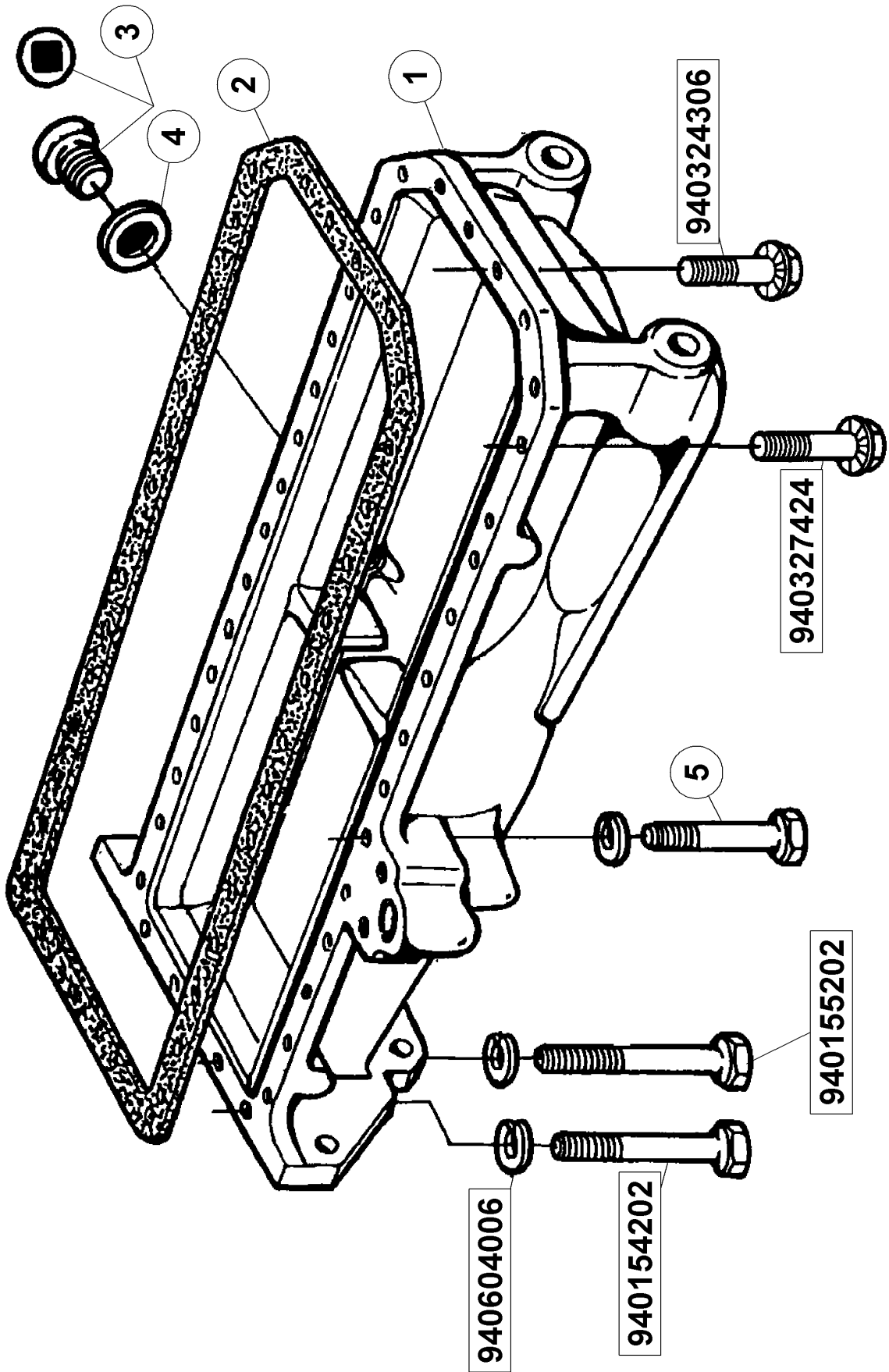
Pos.	Part No.	Description	Dimension	Quantity	Conditions
1	60 0502 145 2	PLATE		1	
2	60 0502 145 5	STUD BOLT		3	
3	60 0502 339 8	STUD BOLT		2	
4	60 0502 339 7	SCREW		4	
5	60 0502 145 7	STUD BOLT		4	



140 FLYWHEEL HOUSING

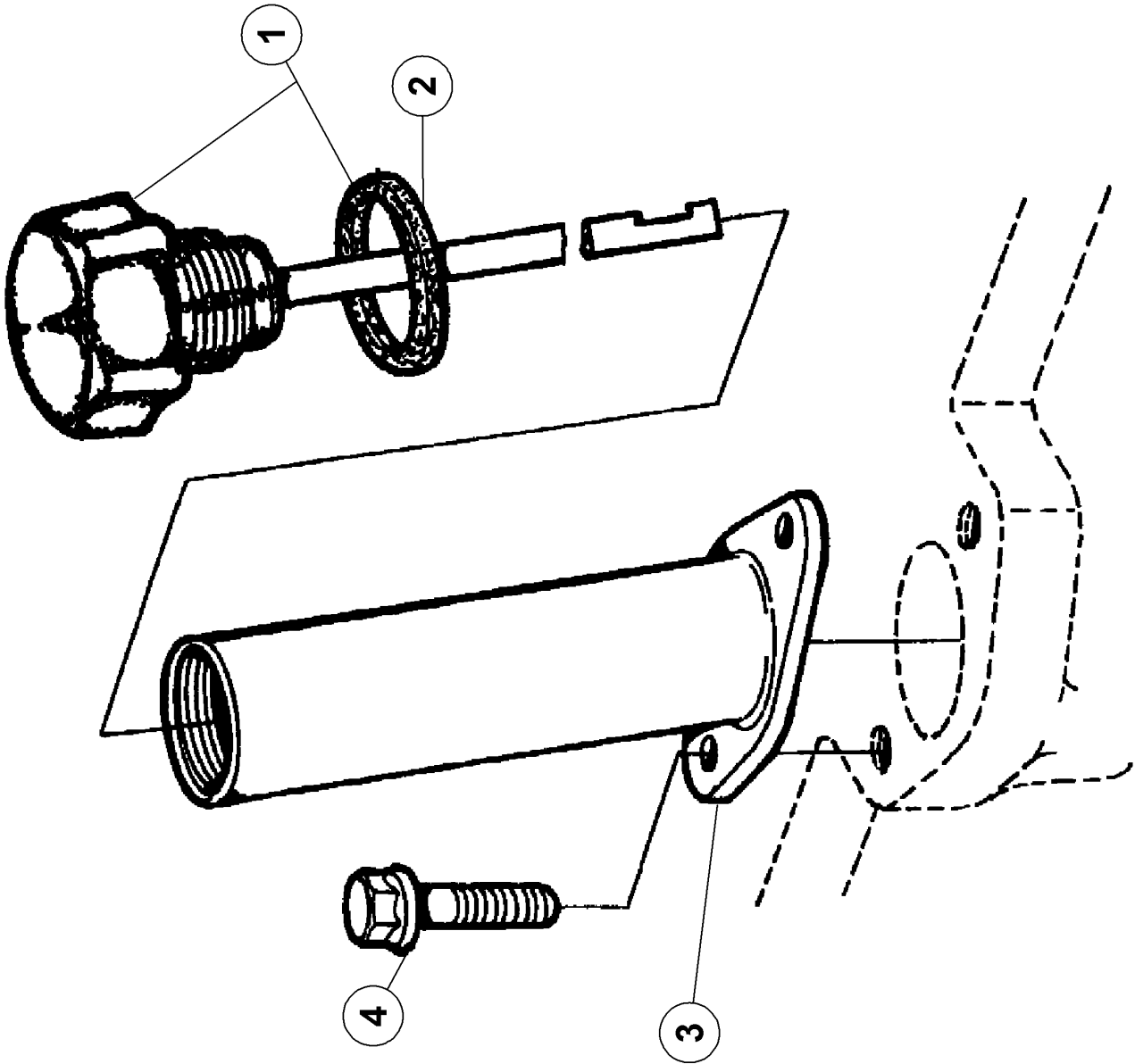
Pos.	Part No.	Description	Dimension	Quantity	Conditions
1	77 0006 967 3	CASING		1	
2	60 0502 146 5	SCREW		1	1)
3	60 0502 625 8	SCREW	12 X 1,75 -37 - M12X40	8	2)
4	60 0502 146 6	SCREW		1	3)
5	60 0502 146 8	SCREW		2	
6	77 0005 577 1	GASKET		1	
7	60 0501 279 0	SHAFT SEAL	118X146X15	1	4)
8	60 0501 604 9	O-RING		1	
9	60 0502 146 2	BLANKING COVER		1	

1)	Remarks	M20X250-80
2)	Remarks	M12X175-38
3)	Remarks	M20X250-110
4)	Remarks	118X146X15



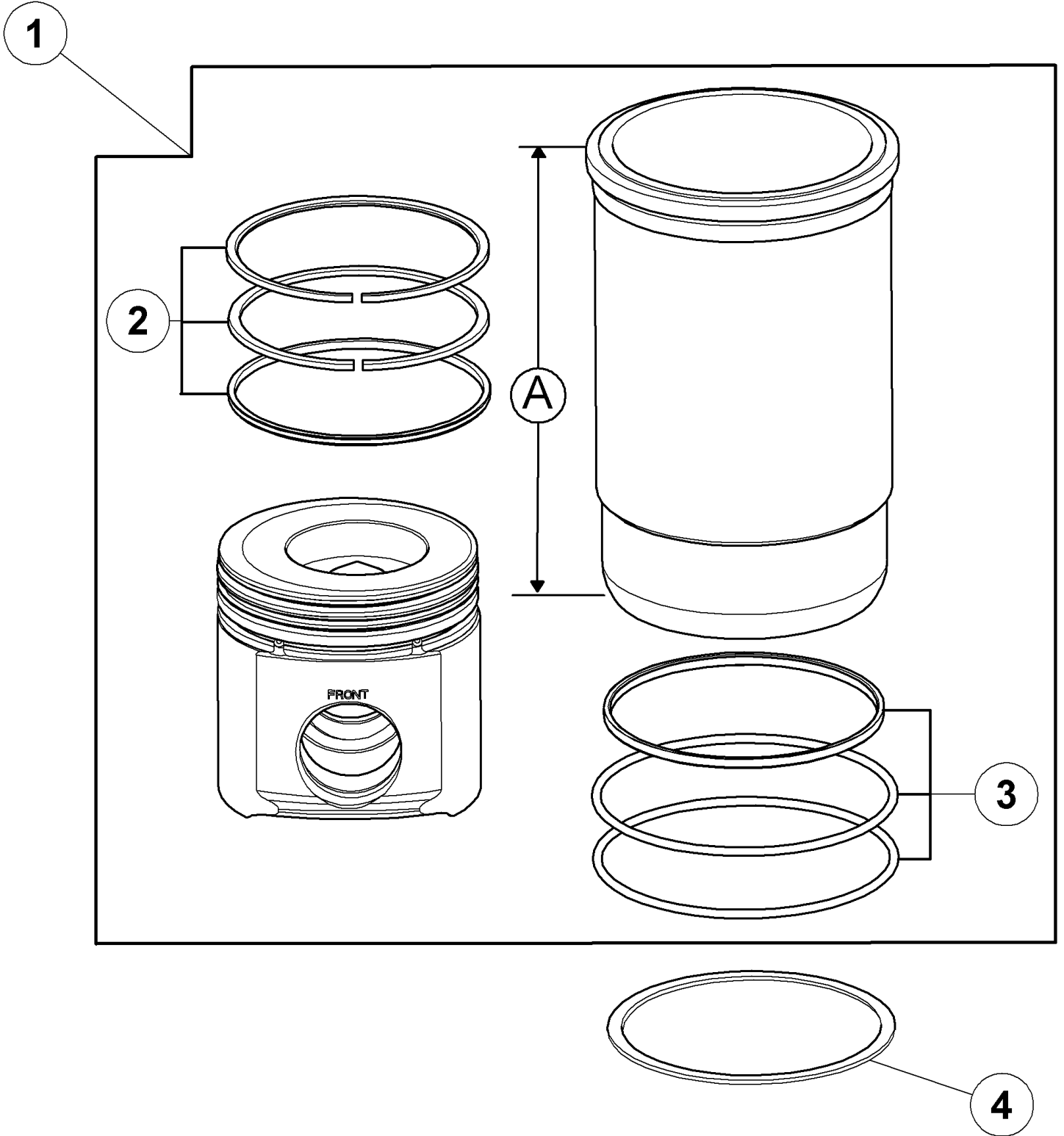
160 OIL PAN

Pos.	Part No.	Description	Dimension	Quantity	Conditions
1	60 0502 666 5	OIL SUMP		1	
2	60 0502 666 6	GASKET		1	
3	60 0501 279 3	LOCK		1	
4	60 0501 211 0	GASKET		1	
5	60 0502 147 1	SCREW		2	
94015 4202	77 0310 108 5	HEXAGON HEAD BOLT	M10X140-32	2	
94015 5202	77 0102 451 6	SCREW		2	
94032 4306	77 0101 759 2	SCREW	M08X35 VERBUS RIPP	6	
94032 7424	77 0001 434 0	SCREW	M10X35 - VERBUS RIPP	24	
94060 4006	77 0305 501 3	WASHER	10	6	



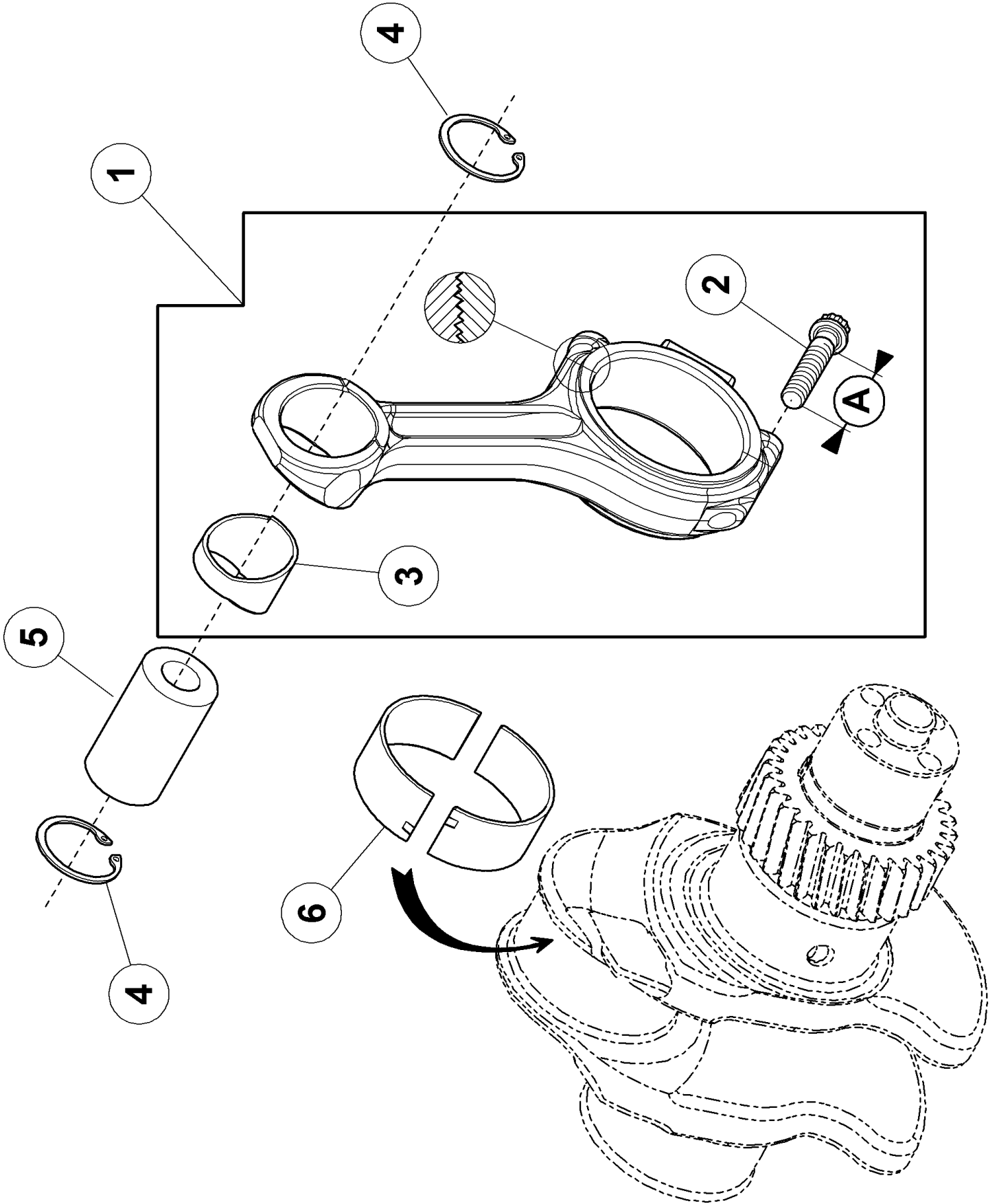
160 OIL PAN

Pos.	Part No.	Description	Dimension	Quantity	Conditions
1	60 0501 279 5	GAUGE		1	
2	60 0501 334 6	O-RING		1	
3	60 0501 279 4	TUBE		1	
4	60 0502 145 6	SCREW	M8X25	2	1)
1)	Remarks		M8x25		



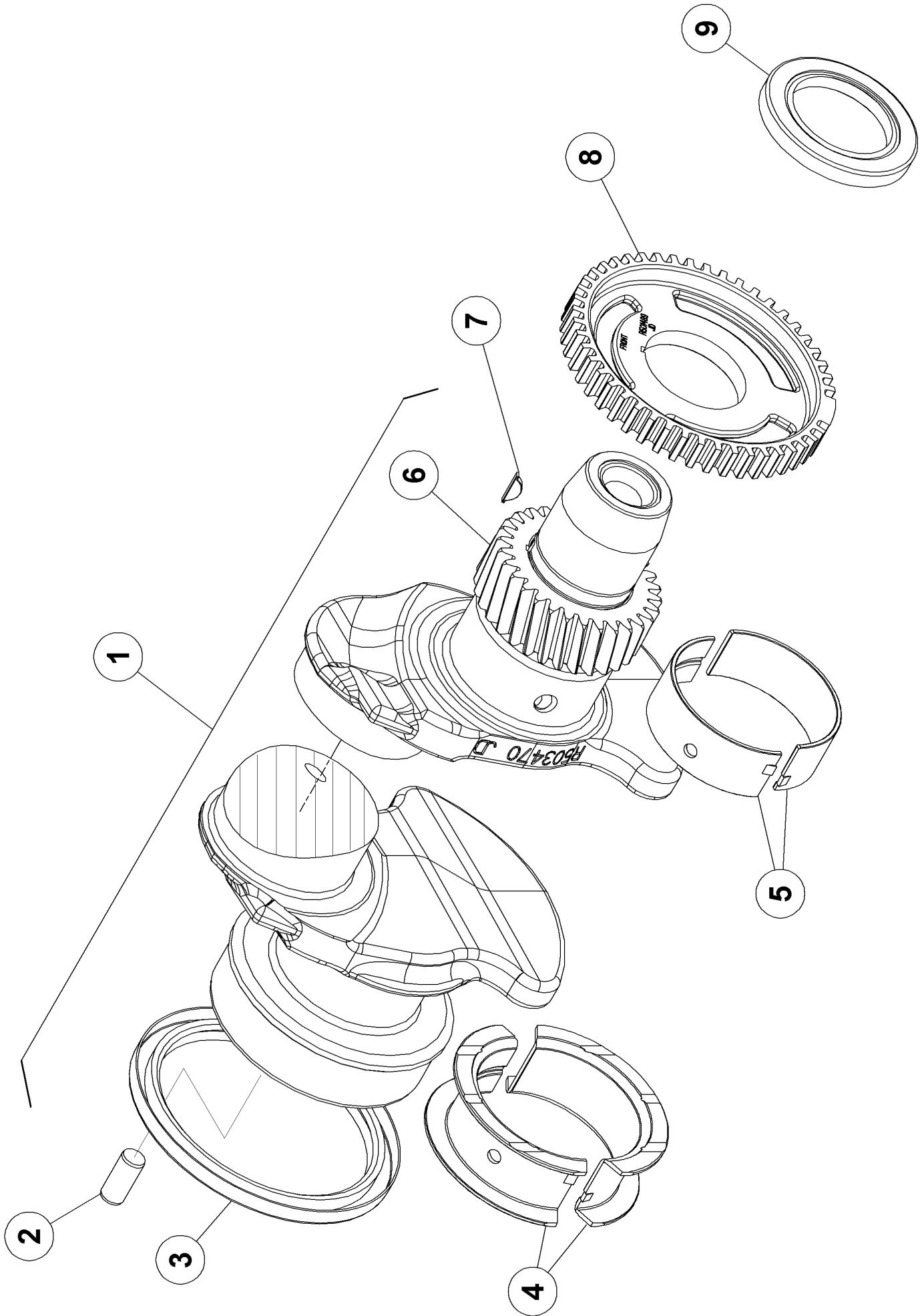
100 CYLINDER LINER, PISTON

Pos.	Part No.	Description	Dimension	Quantity	Conditions
1	60 0502 869 4	PISTON-LINER		6	
2	60 0502 869 5	SET OF PISTON RINGS		6	
3	60 0501 280 9	SEALING RING SET		6	
4	60 0501 281 5	ADJUSTING DISC		6	1)
4	60 0501 281 6	ADJUSTING DISC		6	2)
1)	Remarks		ép.0.05		
2)	Remarks		ép.0.10		



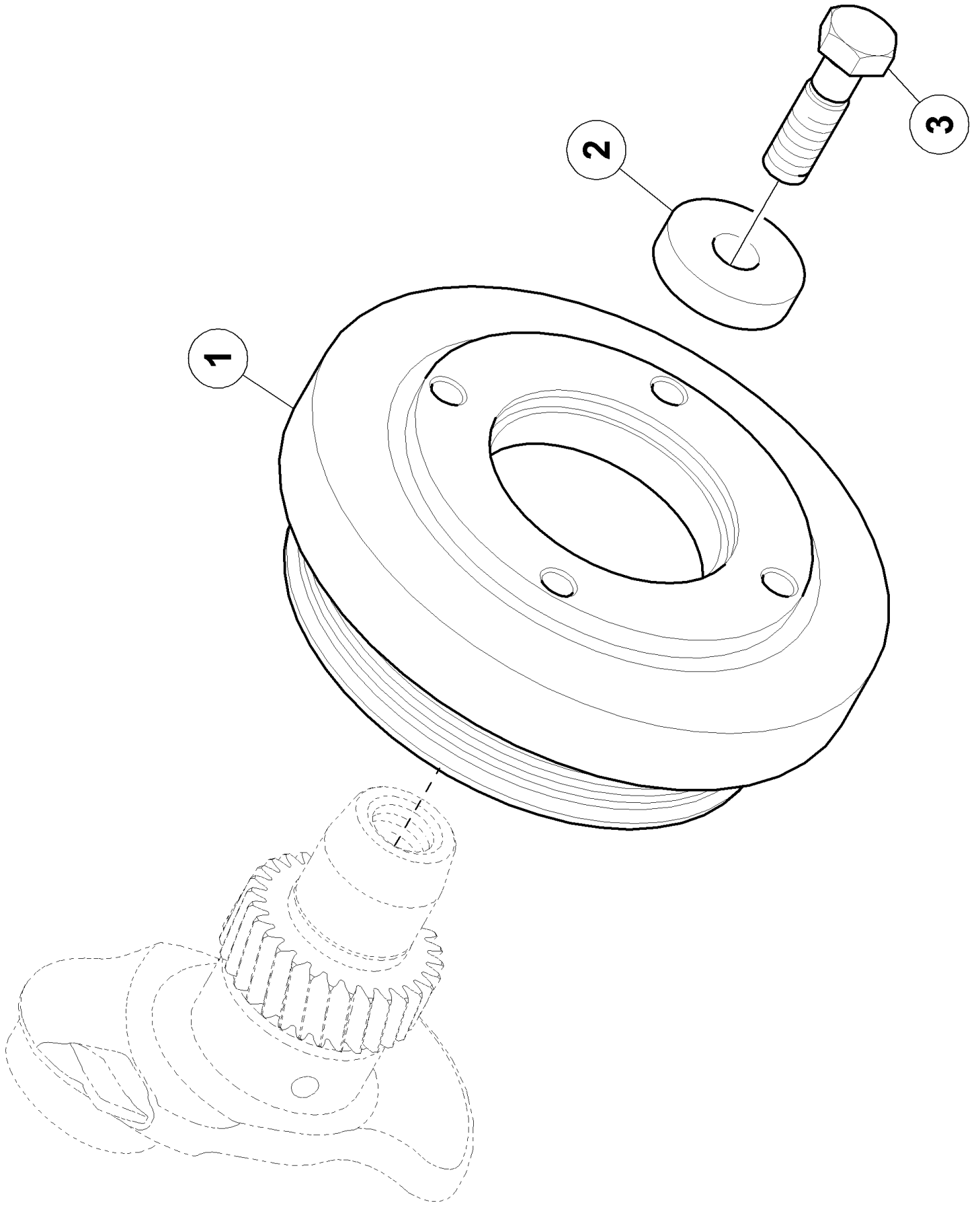
120 CONNECTING ROD, CONNECTING ROD BEARINGS

Pos.	Part No.	Description	Dimension	Quantity	Conditions
1	60 0502 453 6	CONNECTING ROD		6	
2	60 0502 453 7	SCREW	12 PTS M12 X 1,25 - 61	12	
3	60 0502 147 6	RING		6	
4	60 0501 281 4	INNER CIRCLIP		12	
5	60 0502 147 7	AXLE		6	
6	60 0502 147 8	BEARING		6	
6	60 0502 147 9	BEARING		6	1)
1)	Remarks		-0,254mm		



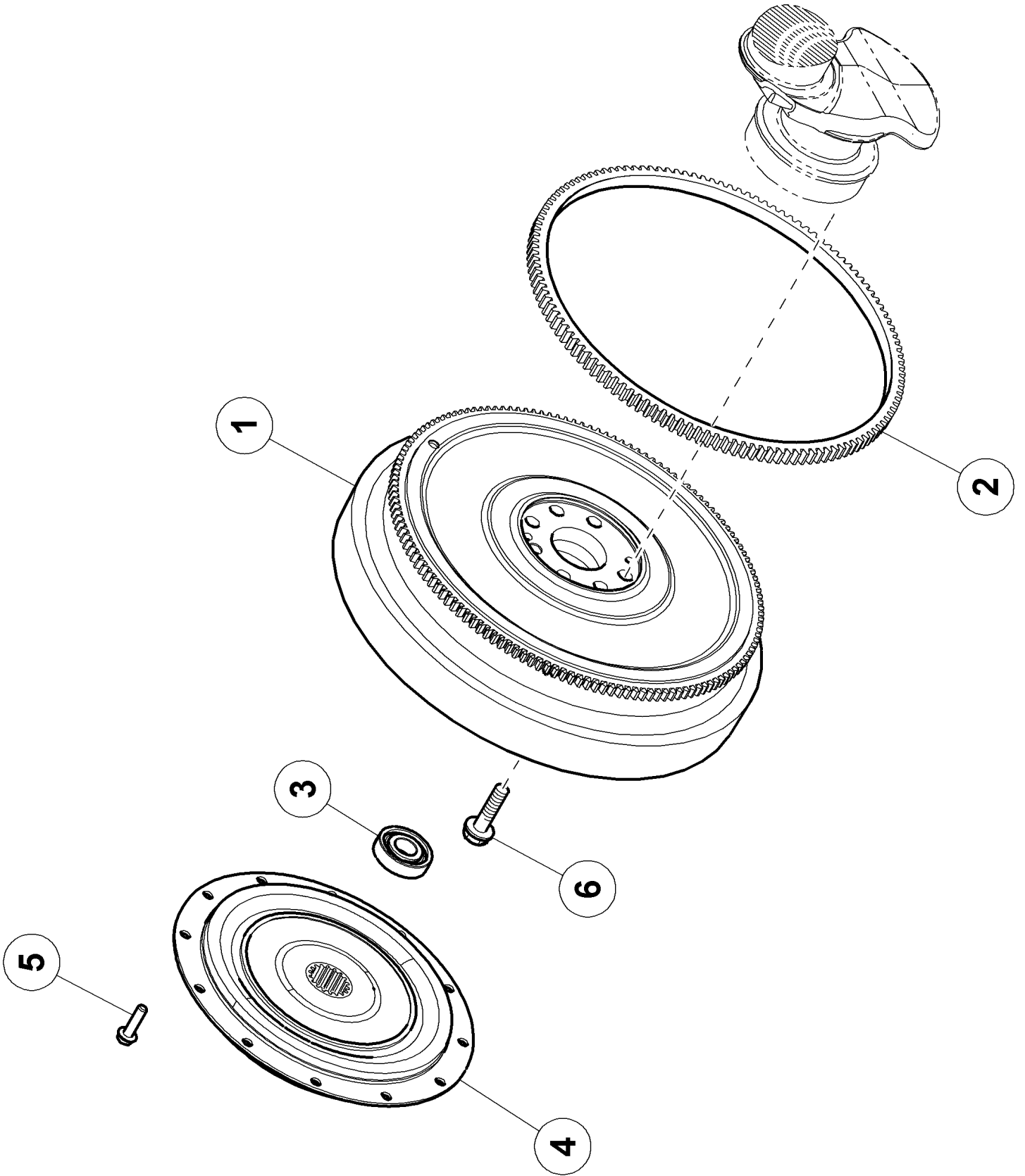
140 CRANKSHAFT

Pos.	Part No.	Description	Dimension	Quantity	Conditions
1	60 0502 869 6	CRANKSHAFT		1	
2	60 0501 317 4	CENTRING PIN		1	
3	60 0501 279 0	SHAFT SEAL	118X146X15	1	
4	60 0502 148 1	BEARING		1	
4	60 0502 148 2	BEARING		1	1)
5	60 0502 148 3	BEARING		6	
5	60 0502 148 4	BEARING		6	1)
6	60 0502 148 5	WHEEL		1	2)
7	60 0502 869 7	KEY		1	
8	60 0502 869 8	WHEEL		1	
9	60 0503 024 7	SEALING RING		1	
1)	Remarks			-0.254mm	
2)	Remarks			30 dts.	



161 CRANKSHAFT PULLEY WHEEL

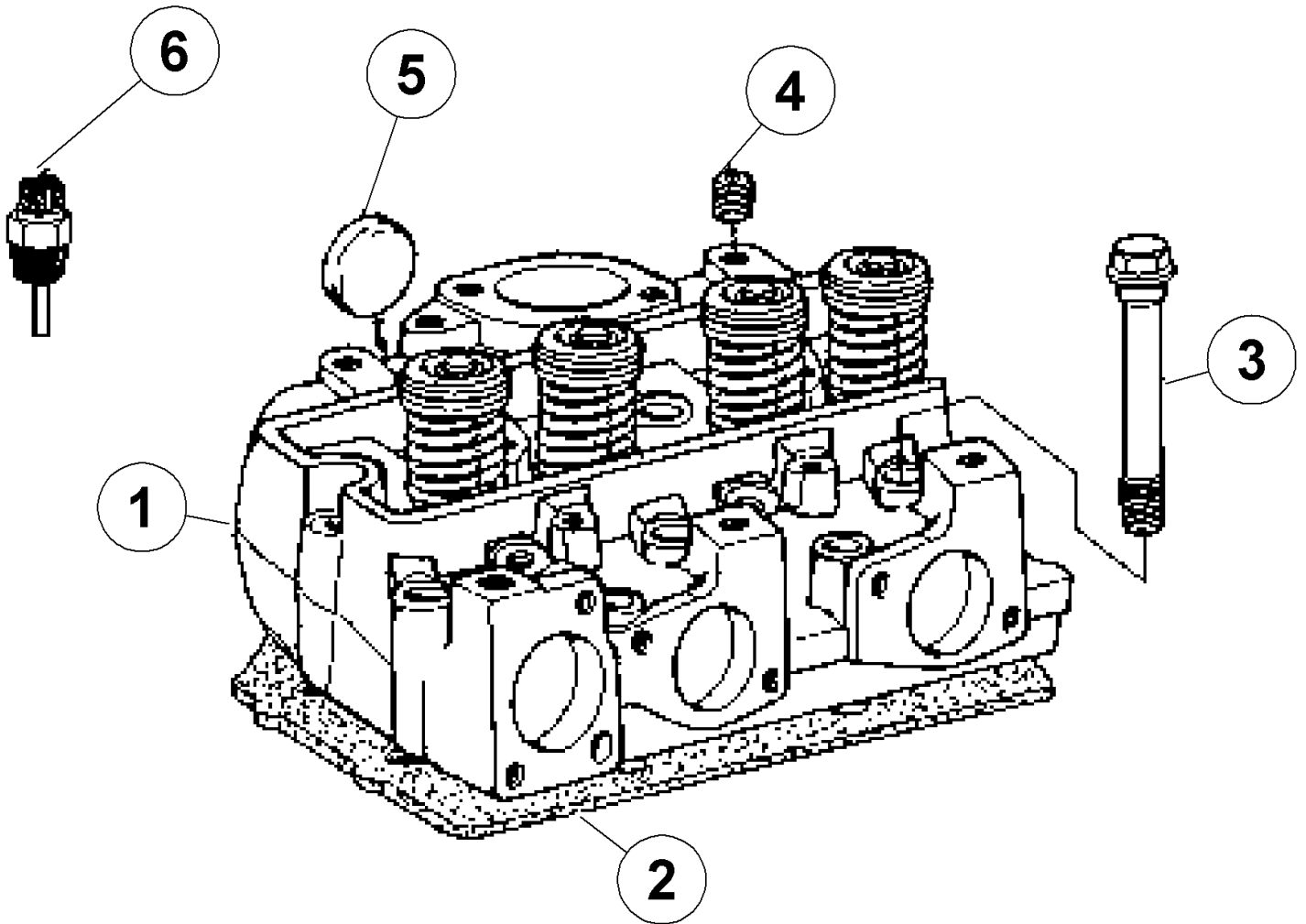
Pos.	Part No.	Description	Dimension	Quantity	Conditions
1	77 0006 623 2	ANTI-VIBRATION WHEEL		1	
2	60 0503 045 1	SPACER		1	
3	60 0502 866 8	SCREW	M20X70	1	



220 FLYWHEEL

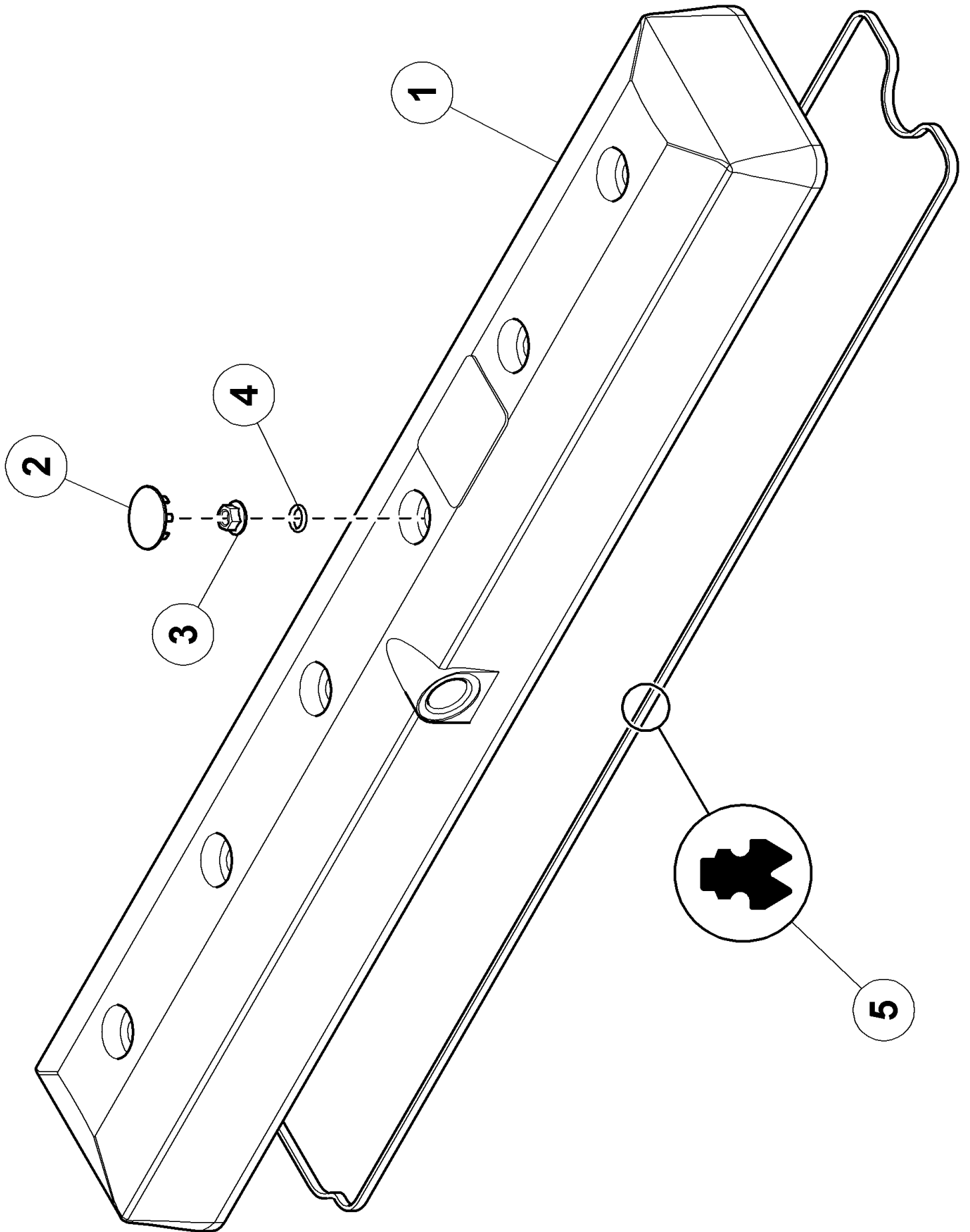
Pos.	Part No.	Description	Dimension	Quantity	Conditions
1	77 0007 132 9	FLYWHEEL		1	
2	77 0004 728 5	TOOTHED RIM		1	
3	77 0103 068 6	BEARING-1 BALL	6305-2RS	1	1)
4	77 0006 716 1	TORSION DAMPER		1	2)
4	00 1111 394 0	HUB		1	3)
5	77 0005 997 8	HEXAGON HEAD BOLT	M10X40	8	4)
6	60 0502 625 8	SCREW	12 X 1,75 -37 - M12X40	6	5)

1)	Remarks	25X62X17
2)	Homologationtype	+ 8252
3)	Homologationtype	- 8252
4)	Remarks	HM10X150-40
5)	Remarks	HM12X175-38



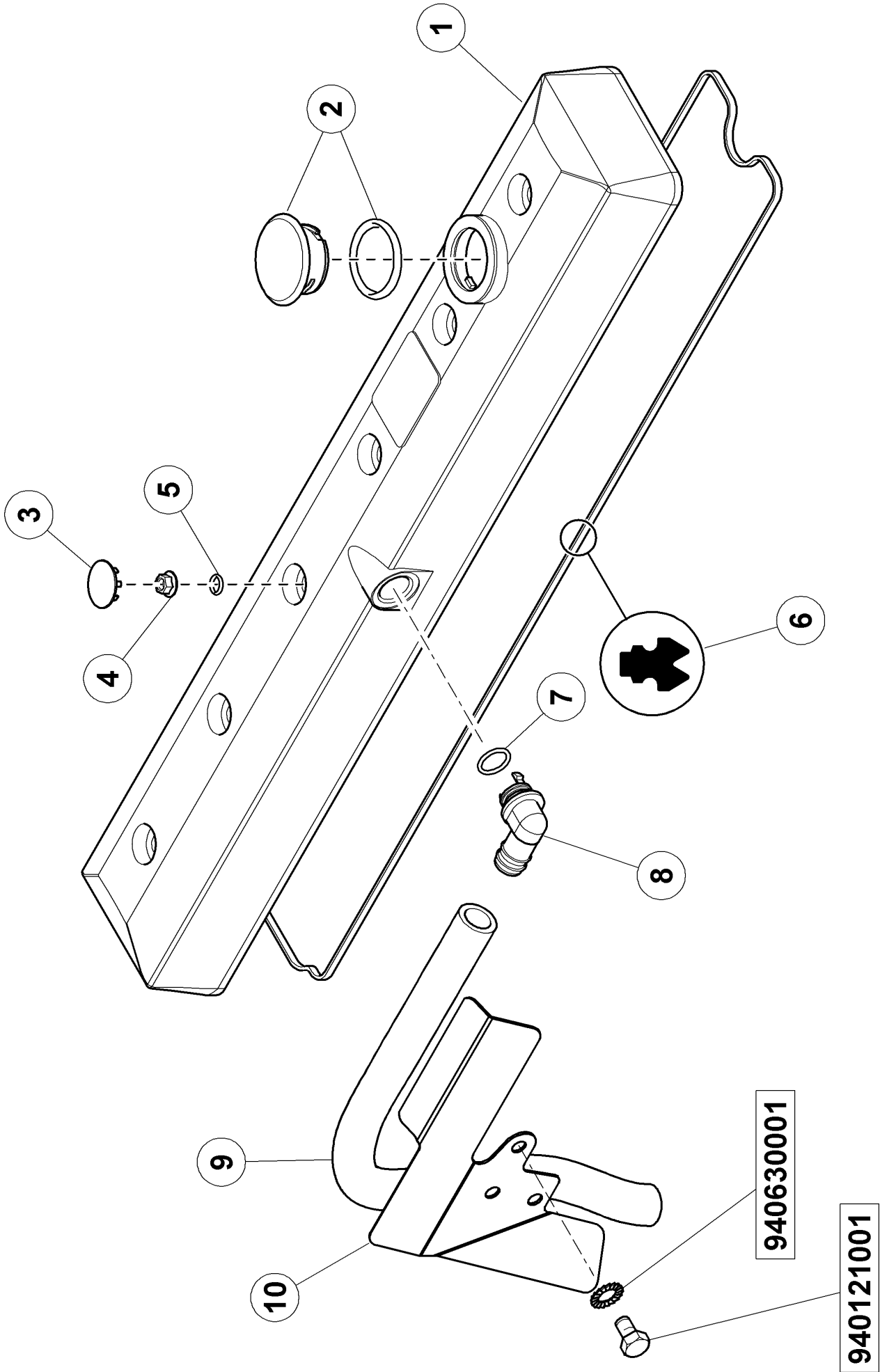
100 CYLINDER HEAD

Pos.	Part No.	Description	Dimension	Quantity	Conditions
1	60 0502 149 0	CYLINDER HEAD		1	
2	60 0502 149 1	CYLINDER HEAD GASKET		1	
3	60 0501 288 6	SCREW		26	
4	60 0502 144 0	LOCK		1	
5	60 0501 288 3	LOCK		1	1)
5	60 0502 149 2	PLUG		3	2)
6	60 0501 344 2	SENDER UNIT		1	
1)	Remarks		DI.32,6		
2)	Remarks		DI.43,4		



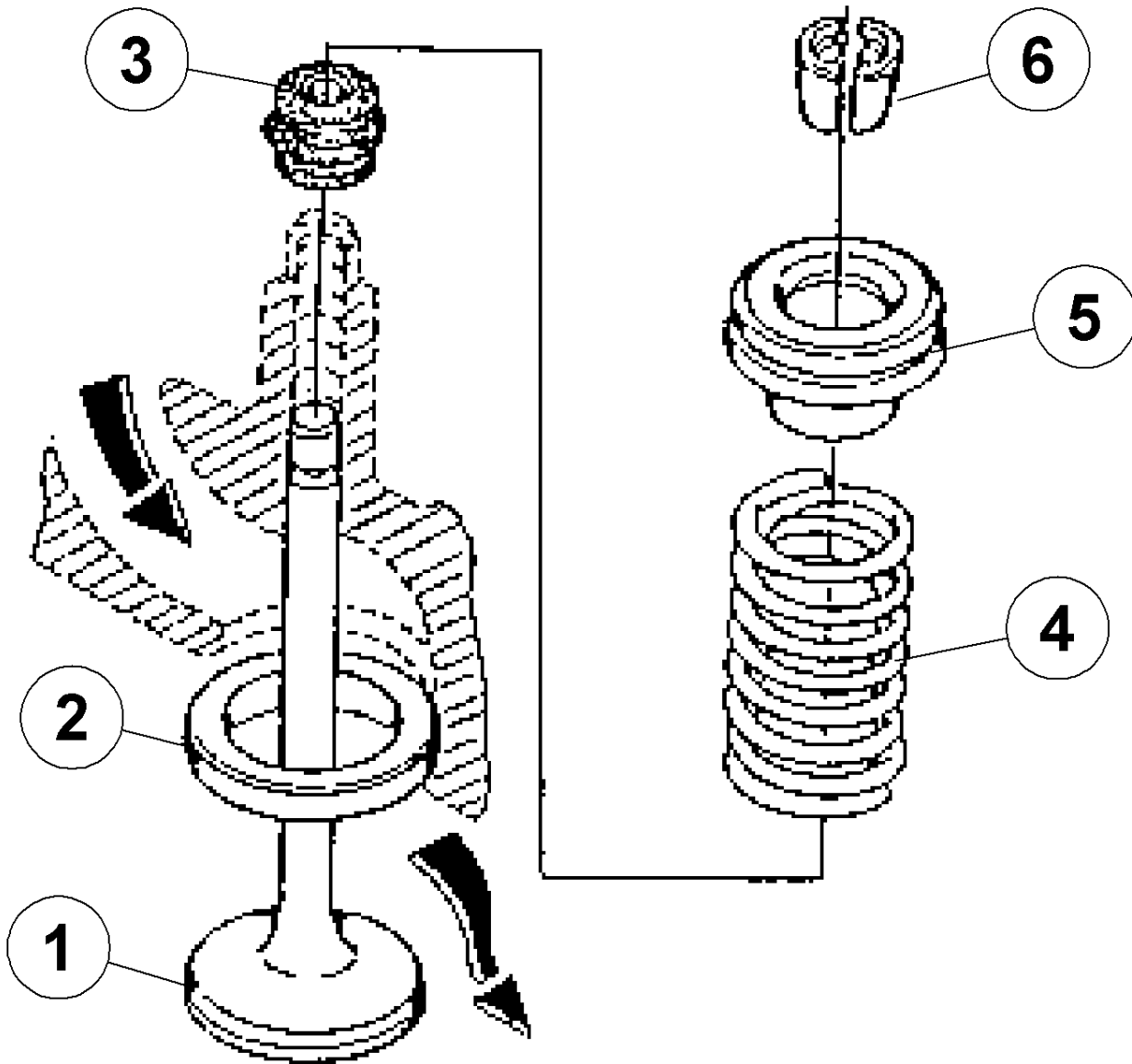
120 CYLINDER HEAD COVER

Pos.	Part No.	Description	Dimension	Quantity	Conditions
1	FA-CONSIGN ES	Consignes - CS		1	
2	60 0502 134 4	PLUG		6	
3	60 0502 149 4	FLANGE NUT		6	
4	60 0502 134 7	O-RING	W.ERS. D. 0219 147.0	6	
5	60 0502 134 5	SEALING RING		1	



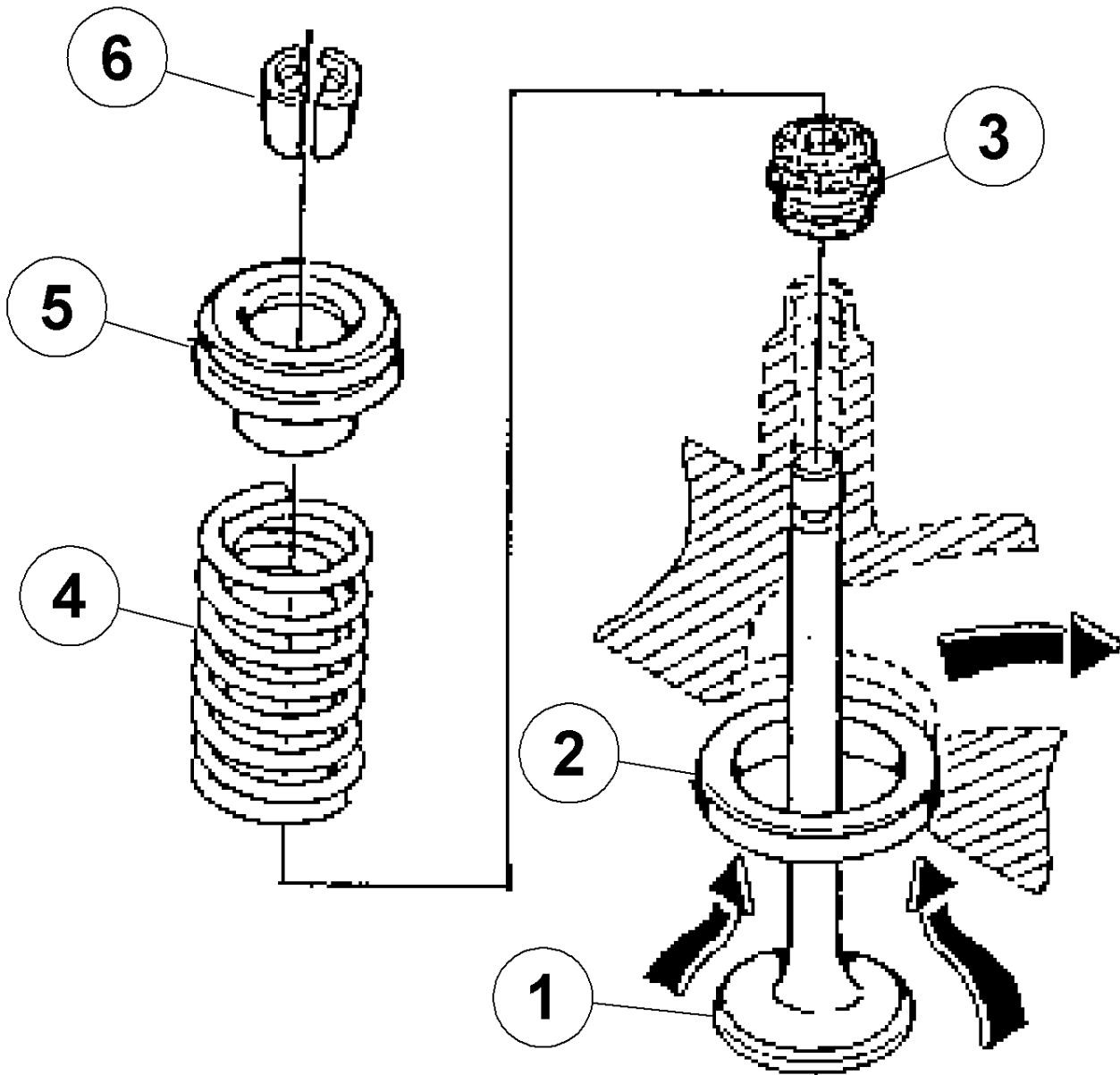
120 CYLINDER HEAD COVER

Pos.	Part No.	Description	Dimension	Quantity	Conditions
1	60 0502 149 3	ROCKER COVER		1	
2	60 0502 149 5	LOCK		1	
3	60 0502 134 4	PLUG		6	
4	60 0502 149 4	FLANGE NUT		6	
5	60 0502 134 7	O-RING	W.ERS. D. 0219 147.0	6	
6	60 0502 134 5	SEALING RING		1	
7	60 0500 901 5	O-RING		1	
8	60 0503 026 5	SCREWING		1	
9	60 0503 048 0	HOSE		1	
10	00 1105 007 0	DEFLECTOR		1	
94012	77 0310 114 0	SCREW	M 10X16	1	
1001					
94063	79 0305 601 7	WASHER	A10,5	1	
0001					



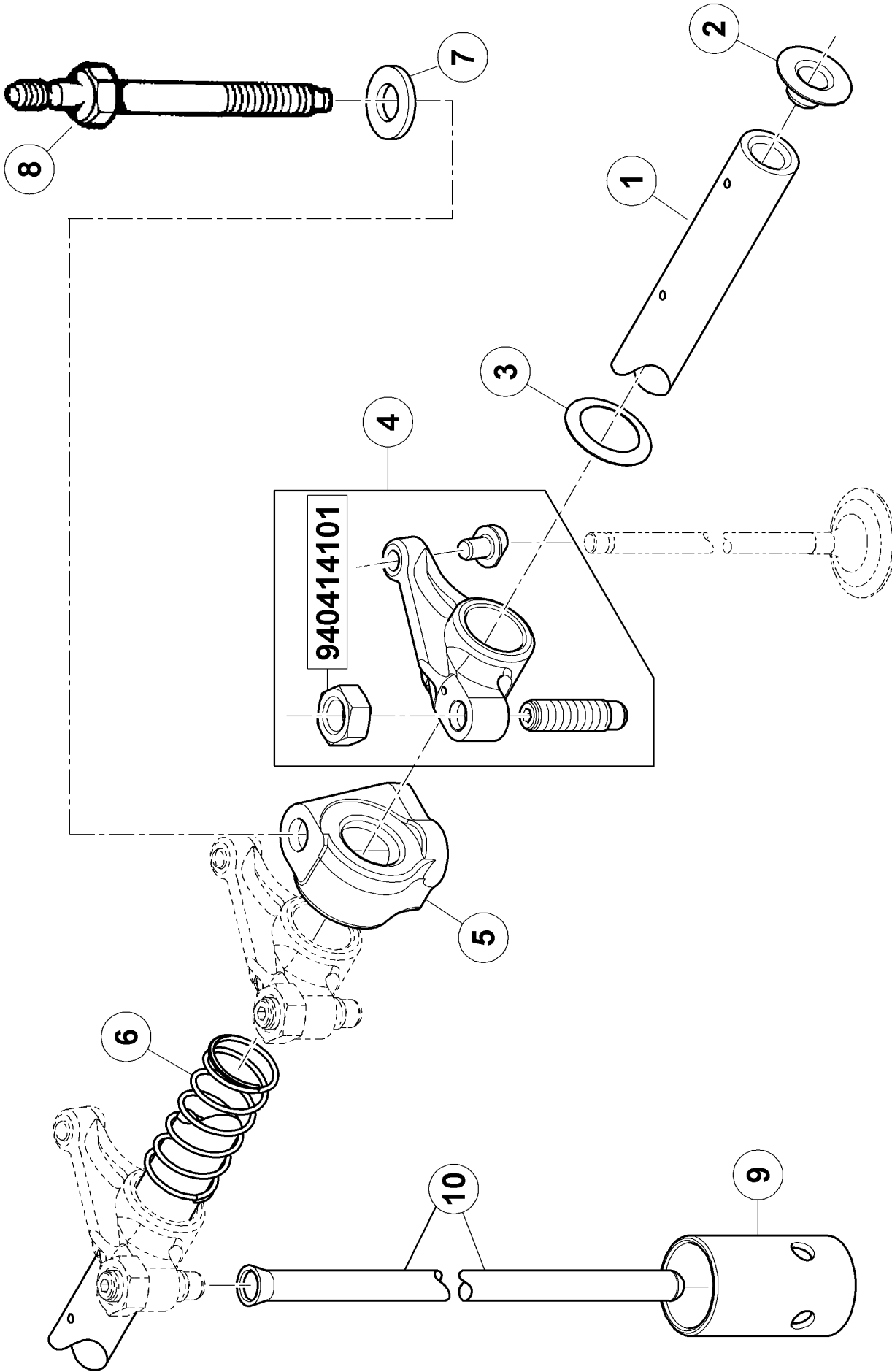
140 VALVES

Pos.	Part No.	Description	Dimension	Quantity	Conditions
1	60 0501 290 8	ENGINE VALVE		6	
1	60 0501 290 9	ENGINE VALVE		6	1)
2	60 0501 291 0	VALVE SEAT		6	
3	60 0501 291 1	SEALING RING		6	
4	60 0501 291 3	SPRING		6	
5	60 0501 291 4	RETAINER		6	
6	60 0501 291 5	HALF-CONE		12	
1)	Remarks		+0,38mm		



140 VALVES

Pos.	Part No.	Description	Dimension	Quantity	Conditions
1	60 0501 291 6	ENGINE VALVE		6	
1	60 0501 291 7	ENGINE VALVE		6	1)
2	60 0501 291 8	VALVE SEAT		6	
3	60 0501 291 1	SEALING RING		6	
4	60 0501 291 3	SPRING		6	
5	60 0501 291 4	RETAINER		6	
6	60 0501 291 5	HALF-CONE		12	
1)	Remarks		+0,38mm		





Suggest:

For more complete manuals. Please go to the home page.

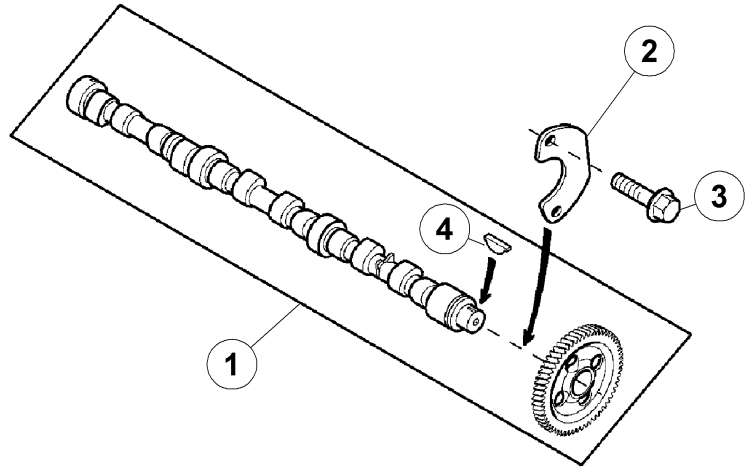
<https://www.ebooklibonline.com>

If the above button click is invalid. Please download this document first, and then click the above link to download the complete manual.

Thank you so much for reading

160 ROCKER ARM

Pos.	Part No.	Description	Dimension	Quantity	Conditions
1	60 0502 150 3	SHAFT		1	
2	60 0501 292 9	LOCK		2	
3	60 0501 293 0	WASHER		1	
4	60 0502 150 4	ROCKER ARM		12	
5	60 0502 150 5	SUPPORT		6	
6	60 0501 293 4	SPRING		5	
7	60 0501 293 3	WASHER		6	
8	60 0502 150 6	STUD BOLT		6	
9	60 0502 150 7	PUSHROD		12	
10	60 0502 150 8	ROD		12	
94041 4101	77 0303 212 4	NUT	M 10	1	



180 CAMSHAFT, CAMSHAFT BEARING BUSHES

Pos.	Part No.	Description	Dimension	Quantity	Conditions
1	60 0502 869 9	CAMSHAFT		1	
2	60 0502 151 1	PLATE		1	
3	60 0502 145 6	SCREW	M8X25	2	
4	60 0502 151 0	KEY		1	

<https://www.ebooklibonline.com>

Hello dear friend!

Thank you very much for reading.

Enter the link into your browser.

The full manual is available for immediate download.

<https://www.ebooklibonline.com>