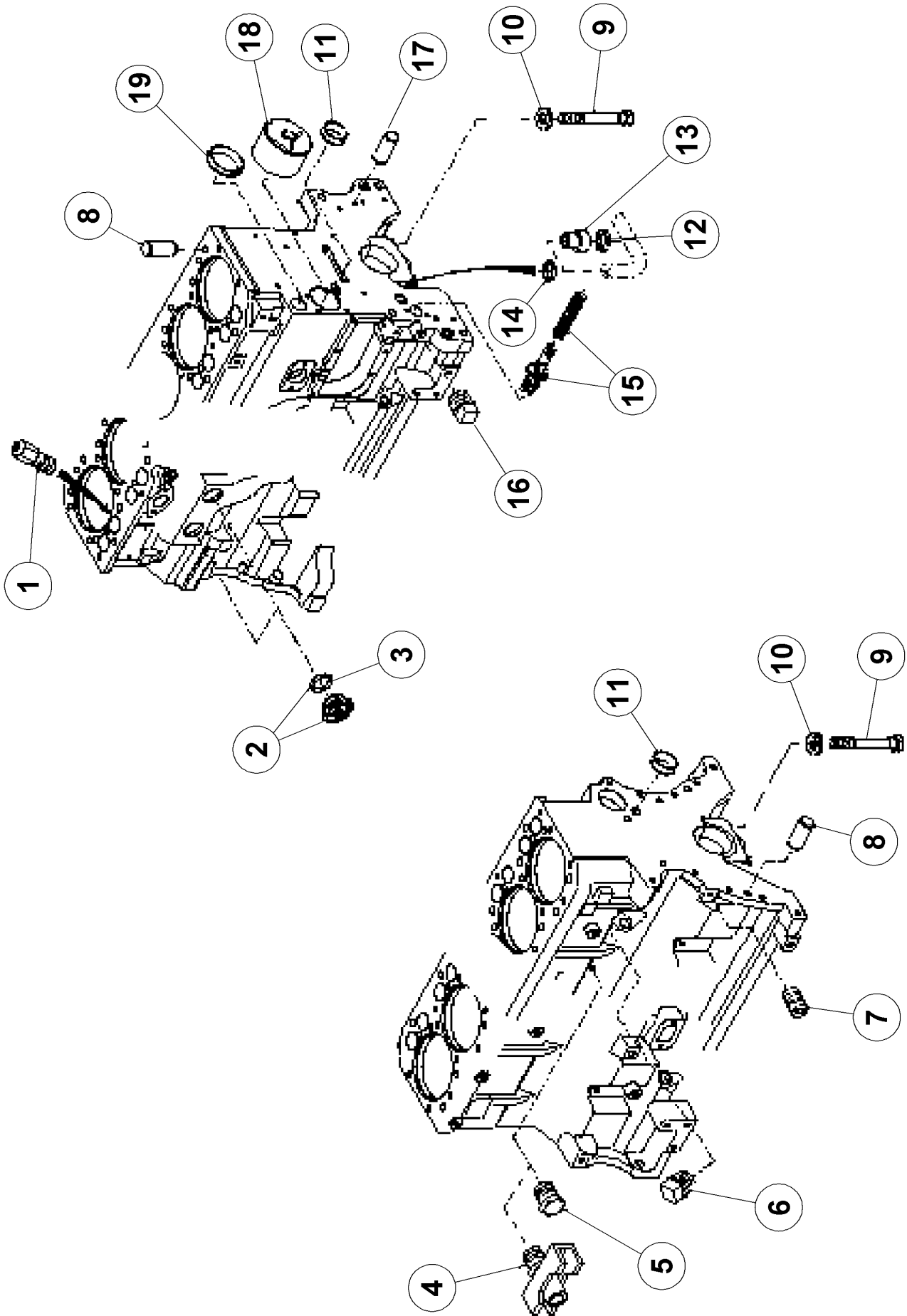


**010 COMPLETE ENGINE**

<b>Pos.</b>	<b>Part No.</b>	<b>Description</b>	<b>Dimension</b>	<b>Quantity</b>	<b>Conditions</b>
1	<b>77 0006 324 3</b>	ENGINE		1	1)
1	<b>77 0006 563 5</b>	ENGINE		1	2)
1	<b>77 0006 324 6</b>	ENGINE		1	3)
<b>1)</b>	<b>Homologationtype</b>			+ 8212	
<b>2)</b>	<b>Homologationtype</b>			+ 8232	
<b>3)</b>	<b>Homologationtype</b>			+ 8242	



**<https://www.ebooklibonline.com>**

Hello dear friend!

Thank you very much for reading.

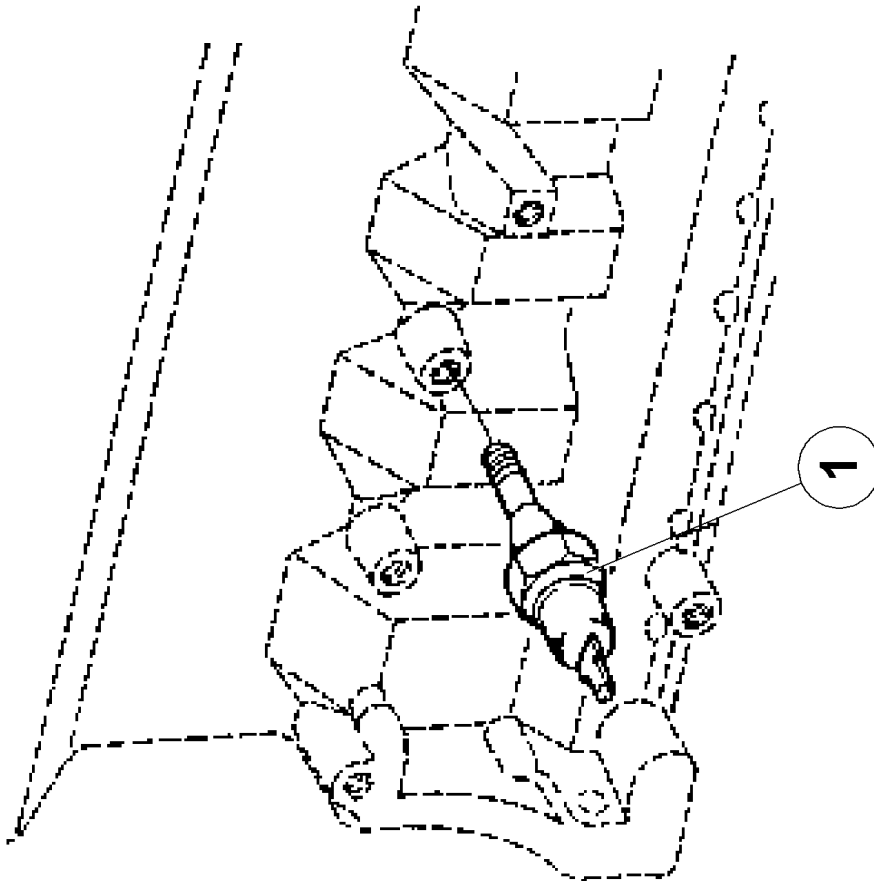
Enter the link into your browser.

The full manual is available for immediate download.

**<https://www.ebooklibonline.com>**

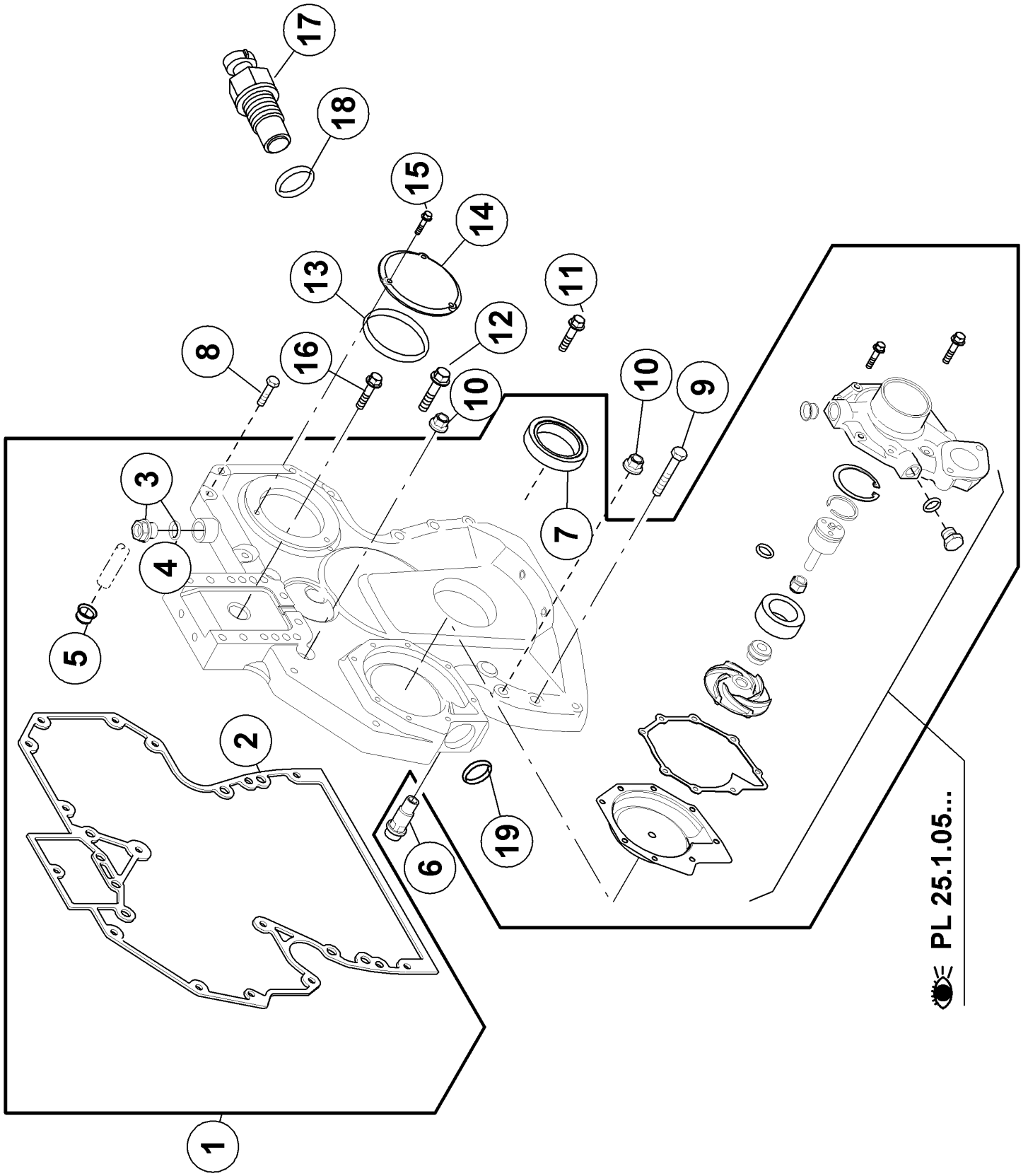
**100 CRANKCASE**

<b>Pos.</b>	<b>Part No.</b>	<b>Description</b>	<b>Dimension</b>	<b>Quantity</b>	<b>Conditions</b>
1	<b>60 0502 143 6</b>	SPRAY NOZZLE		4	
2	<b>60 0502 905 2</b>	PLUG		2	
3	<b>60 0502 339 4</b>	O-RING		2	
4	<b>60 0501 320 7</b>	VALVE		1	
5	<b>60 0502 665 3</b>	PLUG		1	
6	<b>60 0501 321 0</b>	PLUG		1	
7	<b>60 0502 144 0</b>	LOCK		1	
8	<b>60 0501 317 4</b>	CENTRING PIN		4	
9	<b>60 0501 320 6</b>	SCREW		10	
10	<b>60 0502 143 7</b>	WASHER	13X22X2,5	10	
11	<b>60 0501 319 8</b>	BLANKING COVER		2	
12	<b>60 0501 334 1</b>	O-RING		1	
13	<b>60 0501 597 2</b>	BUSHING		1	
14	<b>60 0501 320 3</b>	O-RING		1	
15	<b>60 0501 402 9</b>	VALVE		1	
16	<b>60 0501 320 2</b>	LOCK		1	
17	<b>60 0501 319 6</b>	CENTRING PIN		2	
18	<b>60 0501 294 1</b>	BEARING		1	
19	<b>60 0502 143 9</b>	BLANKING COVER		1	



**100 CRANKCASE**

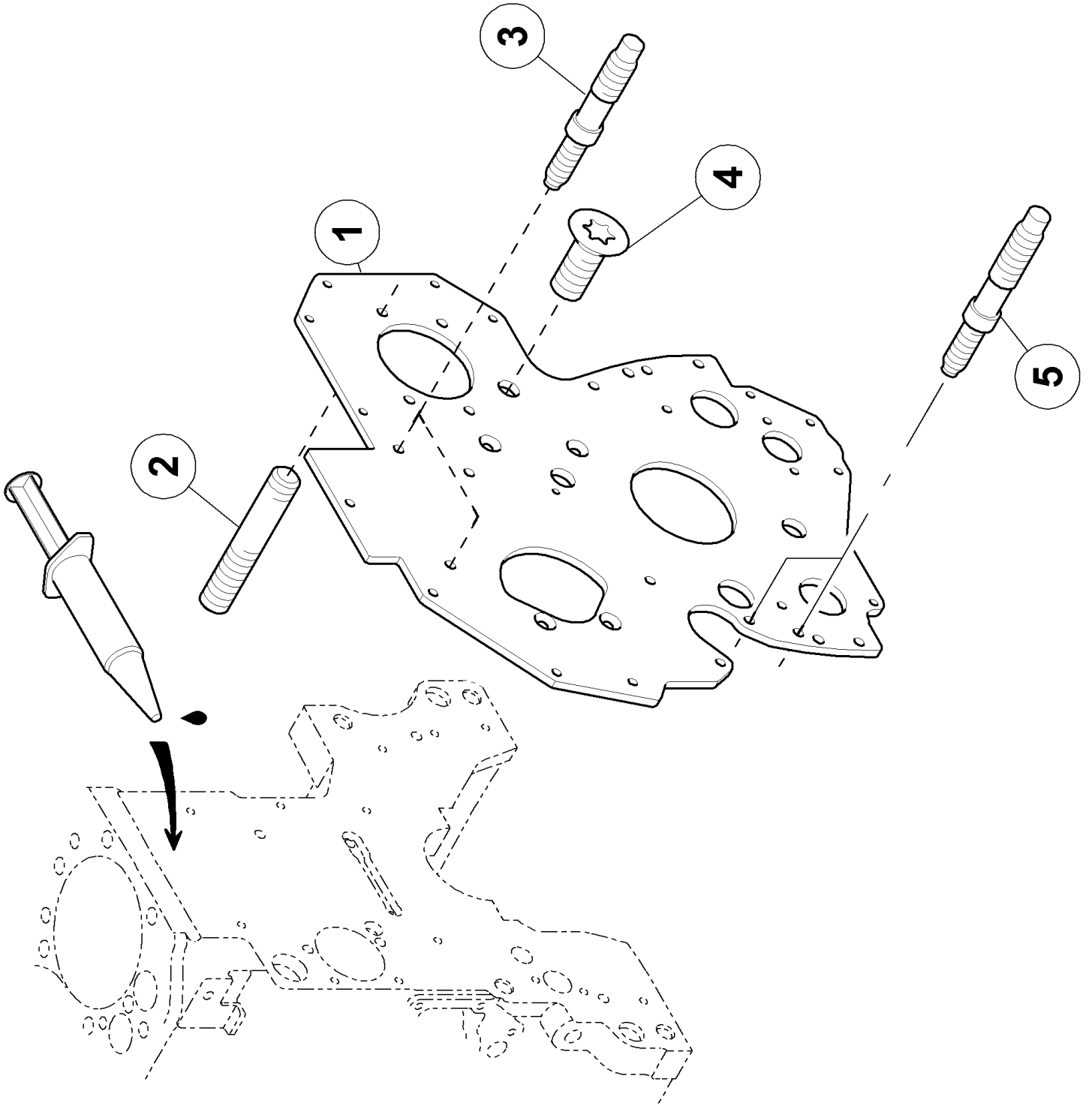
<b>Pos.</b>	<b>Part No.</b>	<b>Description</b>	<b>Dimension</b>	<b>Quantity</b>	<b>Conditions</b>
1	<b>60 0501 342 7</b>	TRANSMITTER		1	



PL 25.1.05...

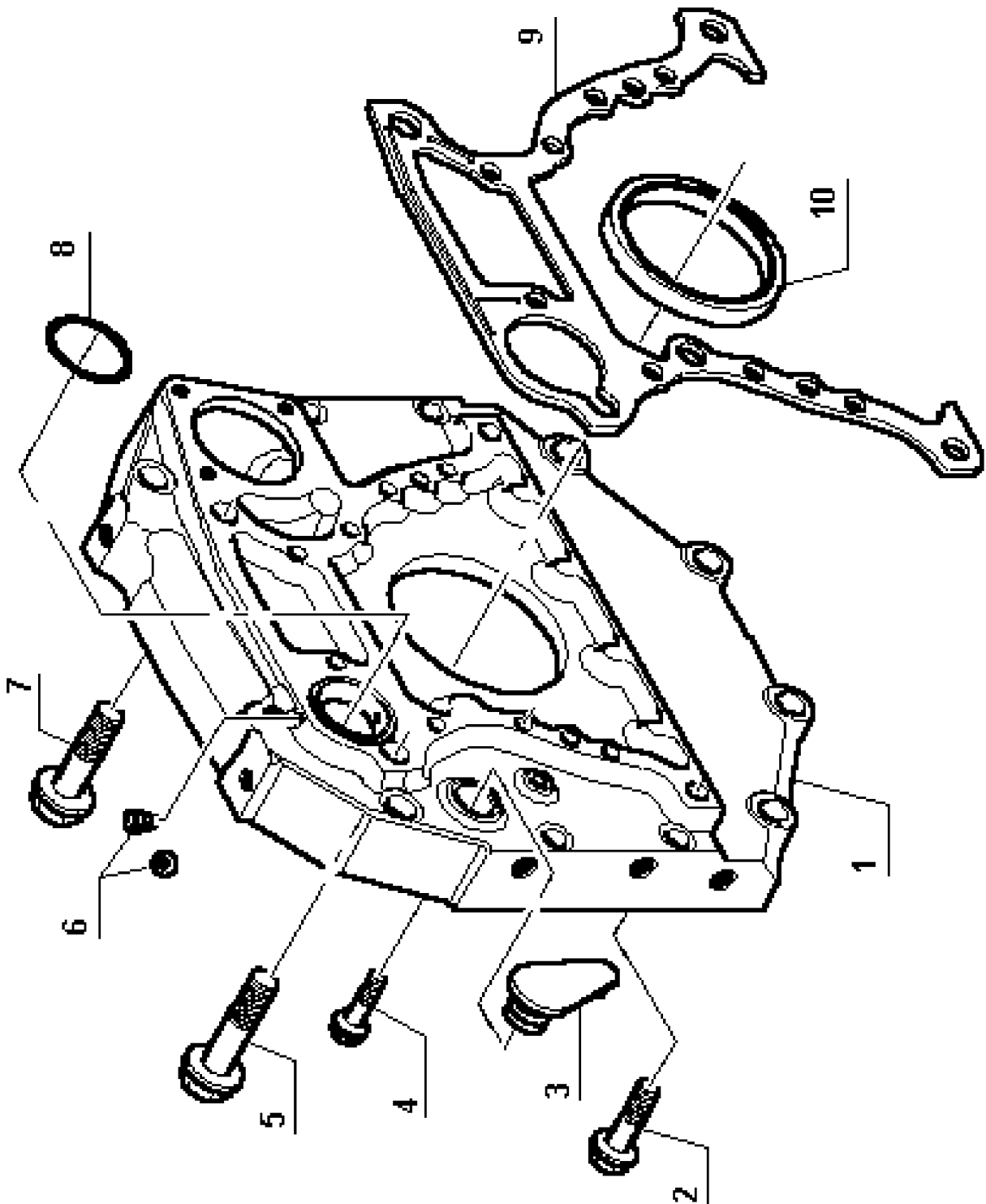
**120 TIMING CASE**

Pos.	Part No.	Description	Dimension	Quantity	Conditions
1	<b>60 0502 869 0</b>	HOUSING		1	
2	<b>60 0502 144 3</b>	GASKET		1	
3	<b>60 0502 895 5</b>	SCREW PLUG	F-M20X1,5	1	
4	<b>77 0002 464 6</b>	O-RING	17X2-N ERS.D. 0238209.0	1	
5	<b>60 0502 163 0</b>	SEALING RING		1	
6	<b>60 0502 869 1</b>	VALVE		1	
7	<b>60 0503 024 7</b>	SEALING RING		1	
8	<b>60 0502 144 5</b>	SCREW	M8X45	6	
9	<b>60 0502 145 8</b>	SCREW		2	
10	<b>60 0502 144 9</b>	NUT		6	
11	<b>60 0502 145 0</b>	SCREW	M08X60	1	
12	<b>60 0502 339 6</b>	SCREW		1	
13	<b>60 0502 144 6</b>	O-RING		1	
14	<b>60 0502 144 7</b>	COVER		1	
15	<b>60 0502 144 8</b>	SCREW	M6X16	3	
16	<b>60 0502 144 4</b>	SCREW	M8X35	1	
17	<b>77 0007 199 7</b>	SENSOR		1	1)
18	<b>77 0002 464 6</b>	O-RING	17X2-N ERS.D. 0238209.0	1	
<b>1)</b>	<b>Remarks</b>	vitesse mot.			



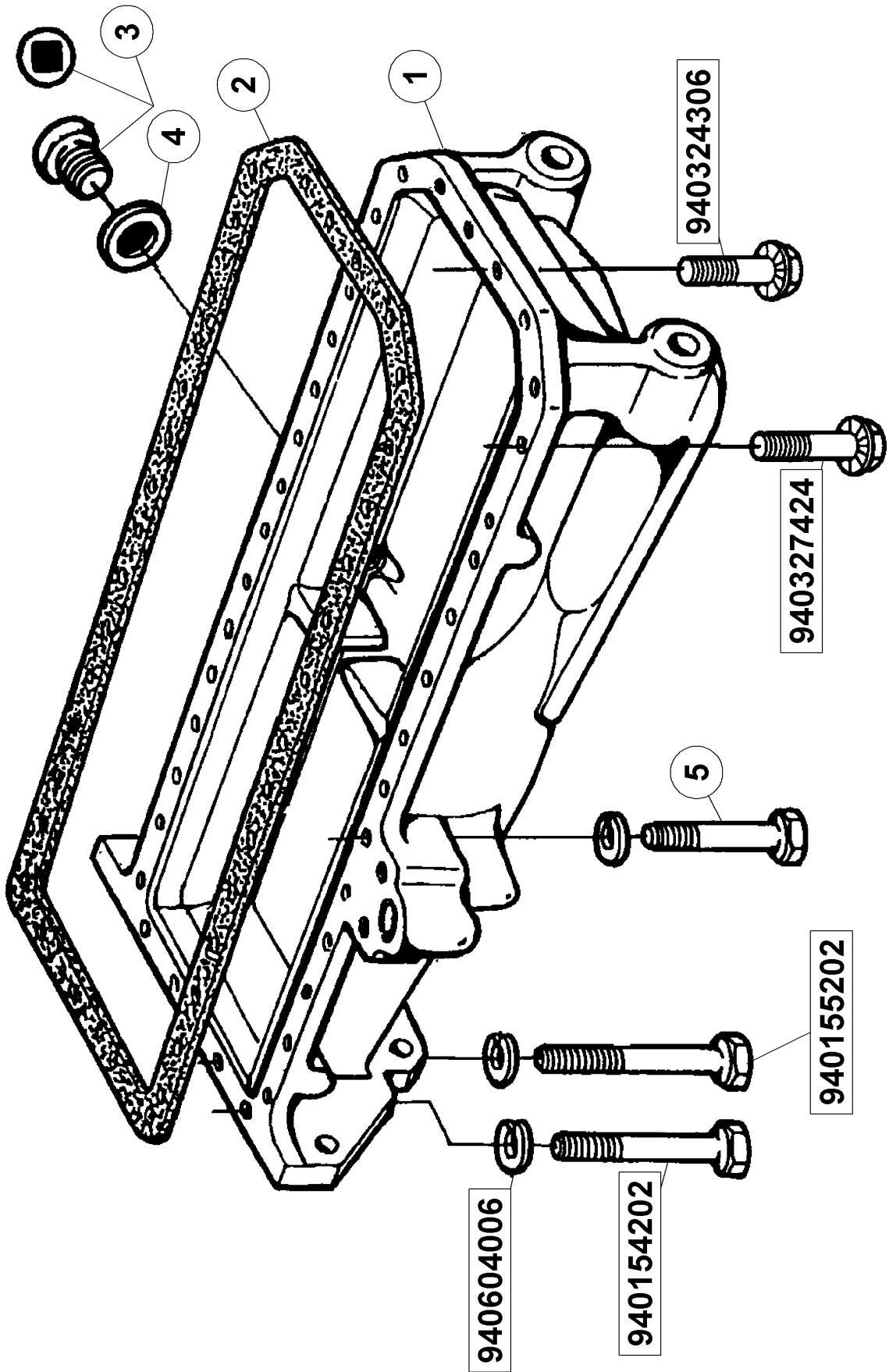
**120 TIMING CASE**

<b>Pos.</b>	<b>Part No.</b>	<b>Description</b>	<b>Dimension</b>	<b>Quantity</b>	<b>Conditions</b>
1	<b>60 0502 145 2</b>	PLATE		1	
2	<b>60 0502 145 5</b>	STUD BOLT		3	
3	<b>60 0502 339 8</b>	STUD BOLT		2	
4	<b>60 0502 339 7</b>	SCREW		4	
5	<b>60 0502 145 7</b>	STUD BOLT		4	



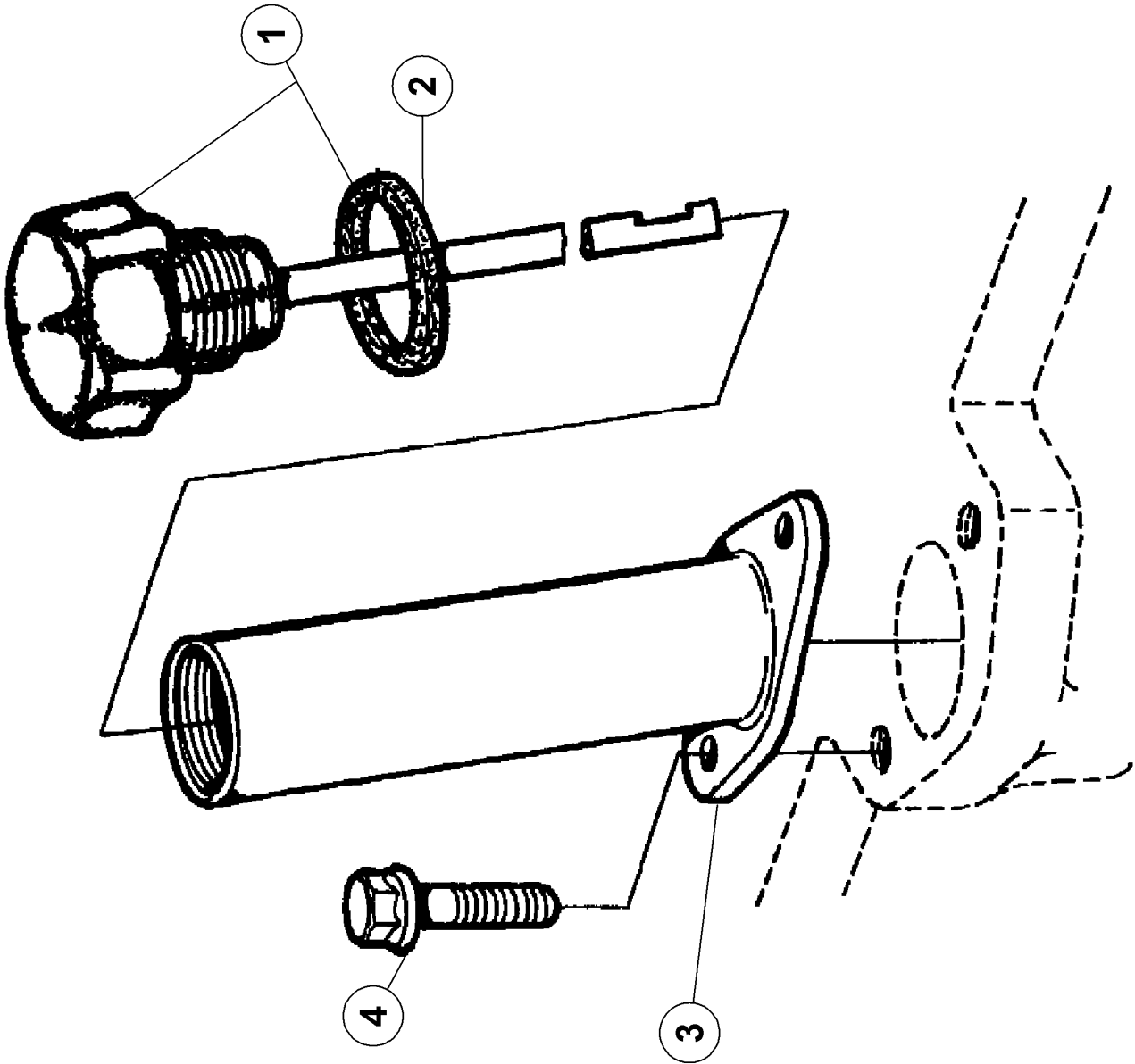
**140 FLYWHEEL HOUSING**

<b>Pos.</b>	<b>Part No.</b>	<b>Description</b>	<b>Dimension</b>	<b>Quantity</b>	<b>Conditions</b>
1	<b>60 0502 665 6</b>	HOUSING		1	
2	<b>60 0502 777 3</b>	SCREW	M16X60	2	
3	<b>60 0501 611 6</b>	BLANKING COVER		1	
4	<b>60 0502 146 7</b>	SCREW	M12X40	8	
5	<b>60 0502 777 3</b>	SCREW	M16X60	1	
6	<b>60 0502 146 4</b>	LOCK		1	
7	<b>60 0502 146 5</b>	SCREW		1	
8	<b>60 0501 604 9</b>	O-RING		1	
9	<b>77 0005 577 1</b>	GASKET		1	
10	<b>60 0501 279 0</b>	SHAFT SEAL	118X146X15	1	



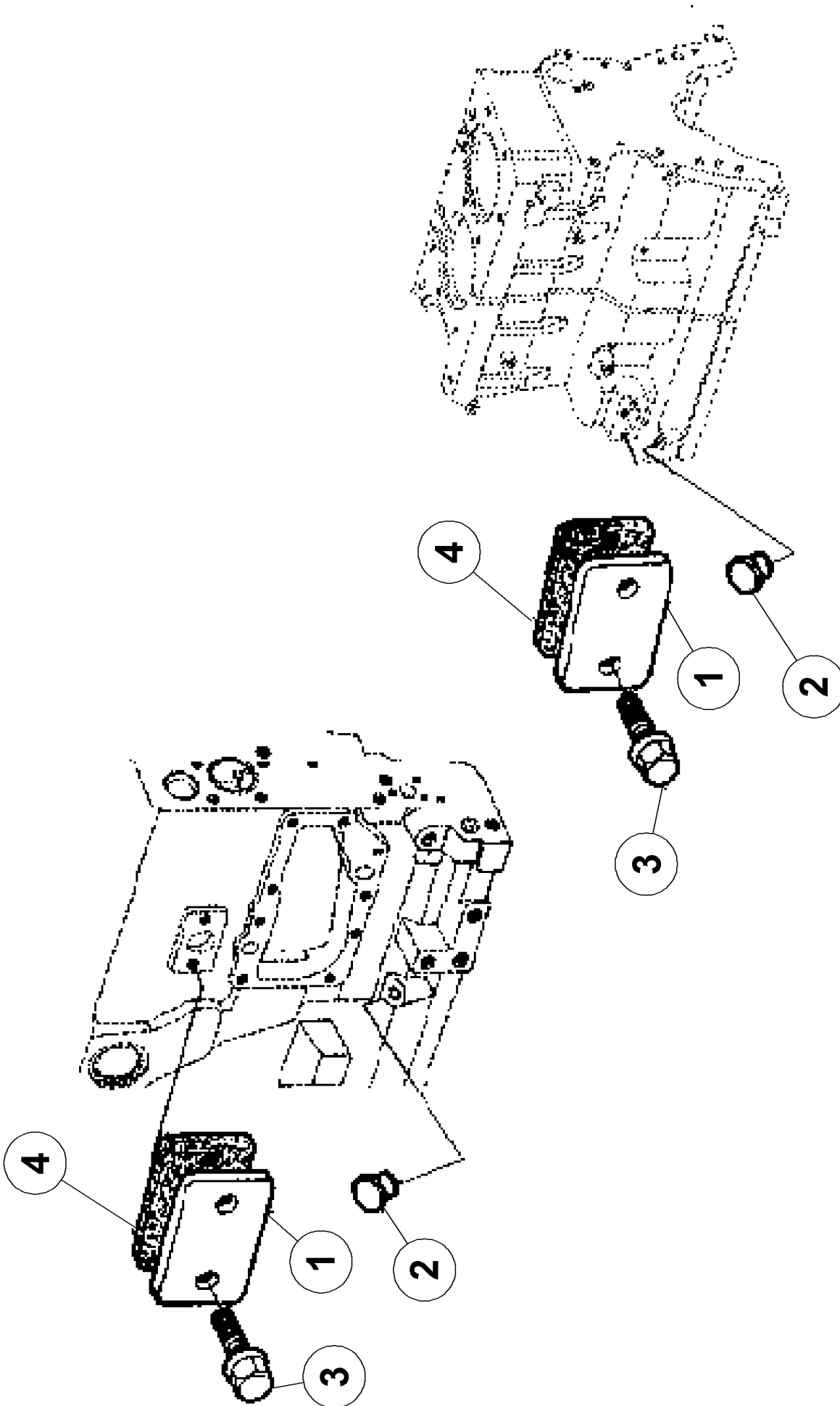
**160 OIL PAN**

<b>Pos.</b>	<b>Part No.</b>	<b>Description</b>	<b>Dimension</b>	<b>Quantity</b>	<b>Conditions</b>
1	<b>60 0502 666 5</b>	OIL SUMP		1	
2	<b>60 0502 666 6</b>	GASKET		1	
3	<b>60 0501 279 3</b>	LOCK		1	
4	<b>60 0501 211 0</b>	GASKET		1	
5	<b>60 0502 147 1</b>	SCREW		2	
94015 4202	<b>77 0310 108 5</b>	HEXAGON HEAD BOLT	M10X140-32	2	
94015 5202	<b>77 0102 451 6</b>	SCREW		2	
94032 4306	<b>77 0101 759 2</b>	SCREW	M08X35 VERBUS RIPP	6	
94032 7424	<b>77 0001 434 0</b>	SCREW	M10X35 - VERBUS RIPP	24	
94060 4006	<b>77 0305 501 3</b>	WASHER	10	6	



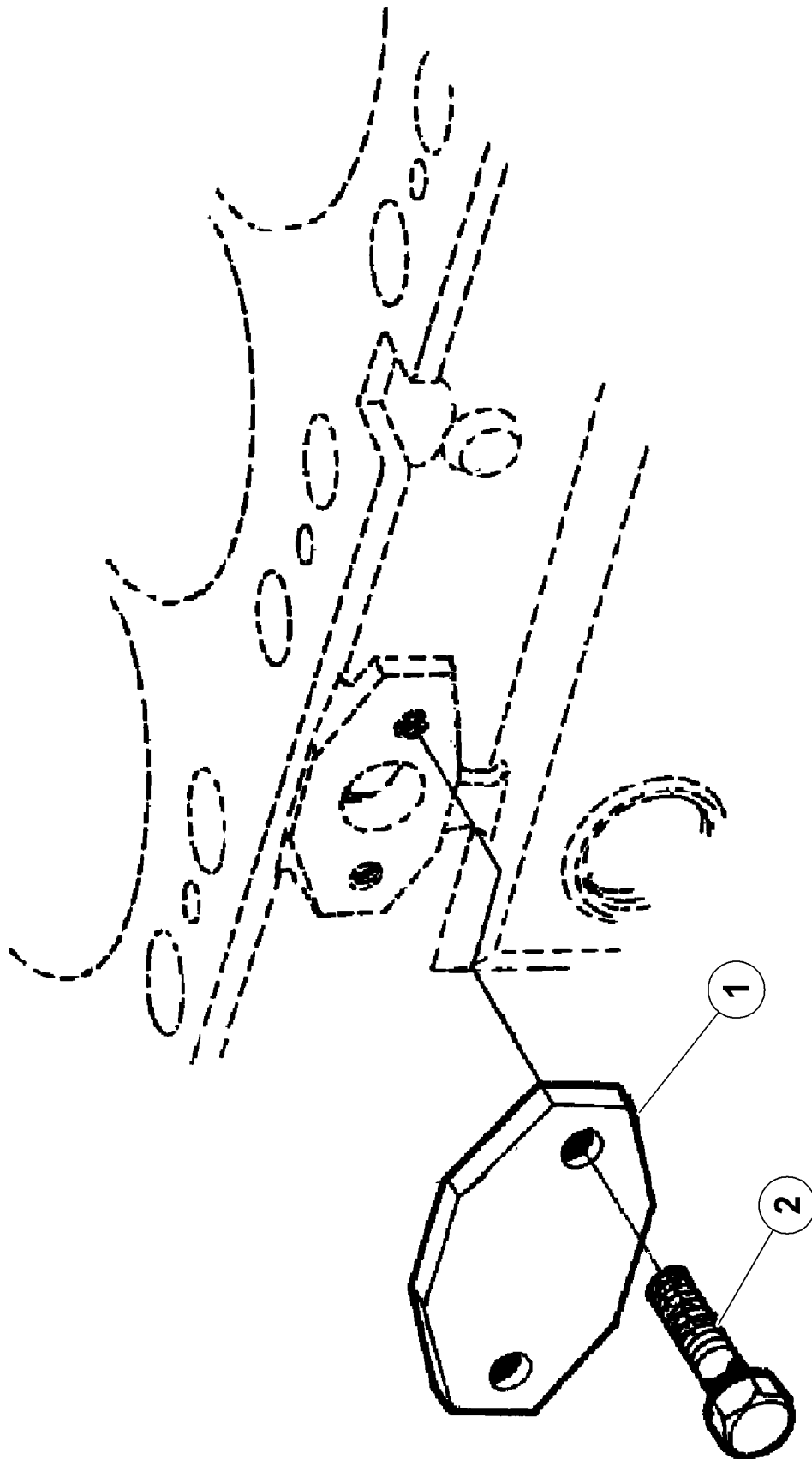
**160 OIL PAN**

<b>Pos.</b>	<b>Part No.</b>	<b>Description</b>	<b>Dimension</b>	<b>Quantity</b>	<b>Conditions</b>
1	<b>60 0501 279 5</b>	GAUGE		1	
2	<b>60 0501 334 6</b>	O-RING		1	
3	<b>60 0501 279 4</b>	TUBE		1	
4	<b>60 0502 145 6</b>	SCREW	M8X25	2	1)
<b>1)</b>	<b>Remarks</b>		M8x25		



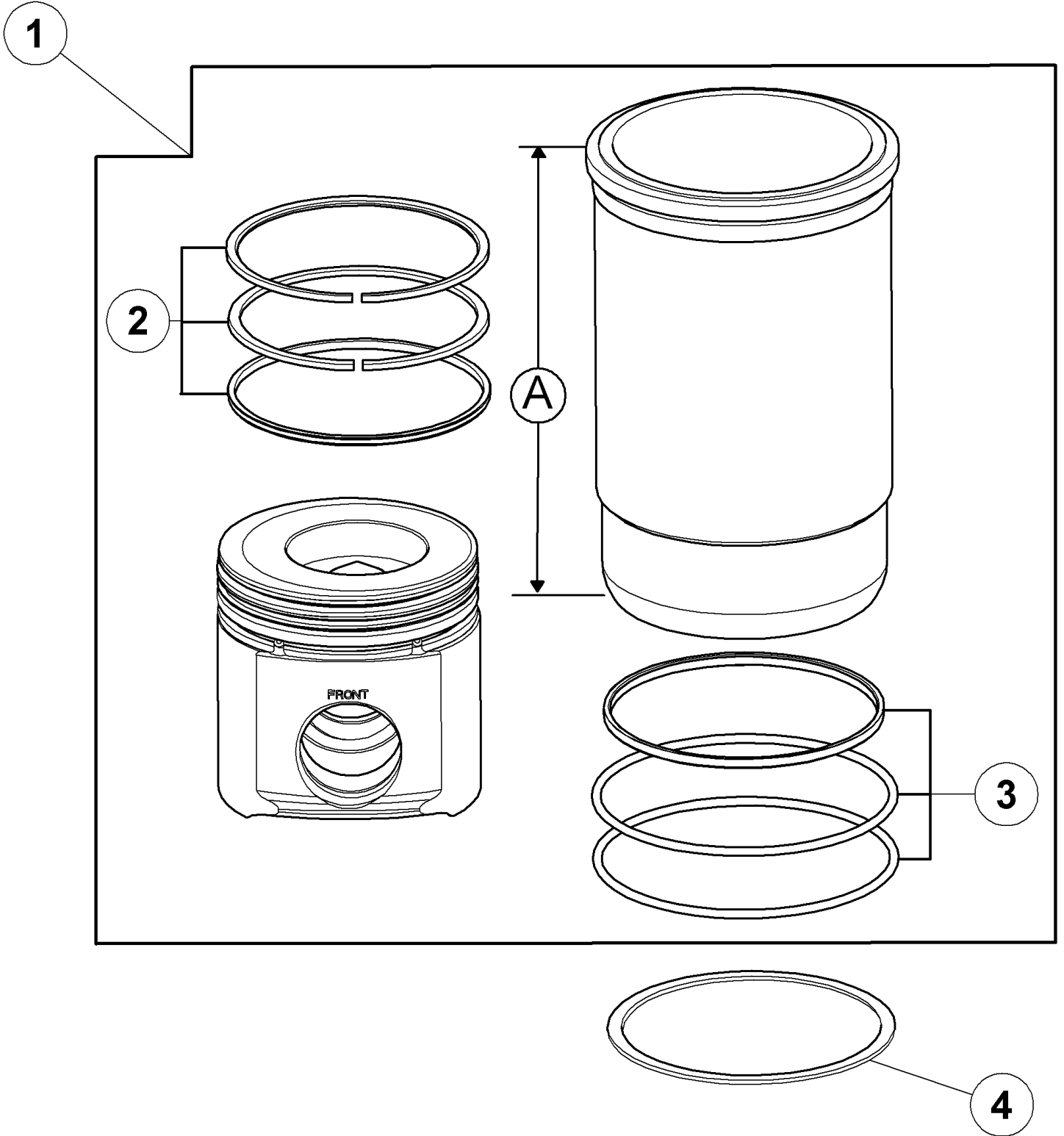
**180 PLUGS**

<b>Pos.</b>	<b>Part No.</b>	<b>Description</b>	<b>Dimension</b>	<b>Quantity</b>	<b>Conditions</b>
1	<b>60 0502 470 2</b>	PLATE		2	
2	<b>60 0502 662 4</b>	PLUG		2	
3	<b>60 0502 149 8</b>	SCREW	M8X20	4	
4	<b>60 0502 470 4</b>	GASKET		2	



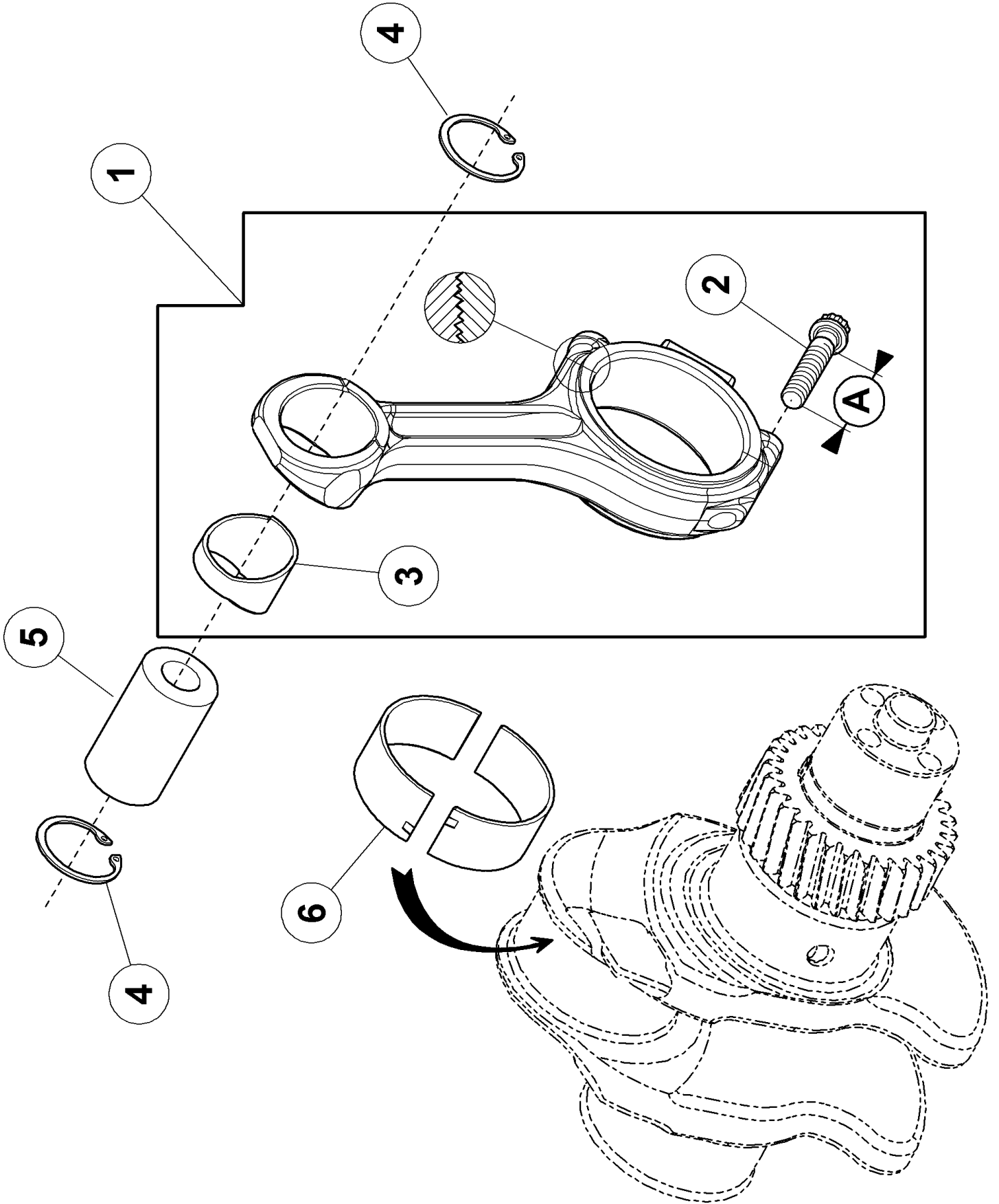
**180 PLUGS**

<b>Pos.</b>	<b>Part No.</b>	<b>Description</b>	<b>Dimension</b>	<b>Quantity</b>	<b>Conditions</b>
1	<b>60 0502 662 2</b>	PLATE		1	
2	<b>60 0502 662 3</b>	SCREW		2	



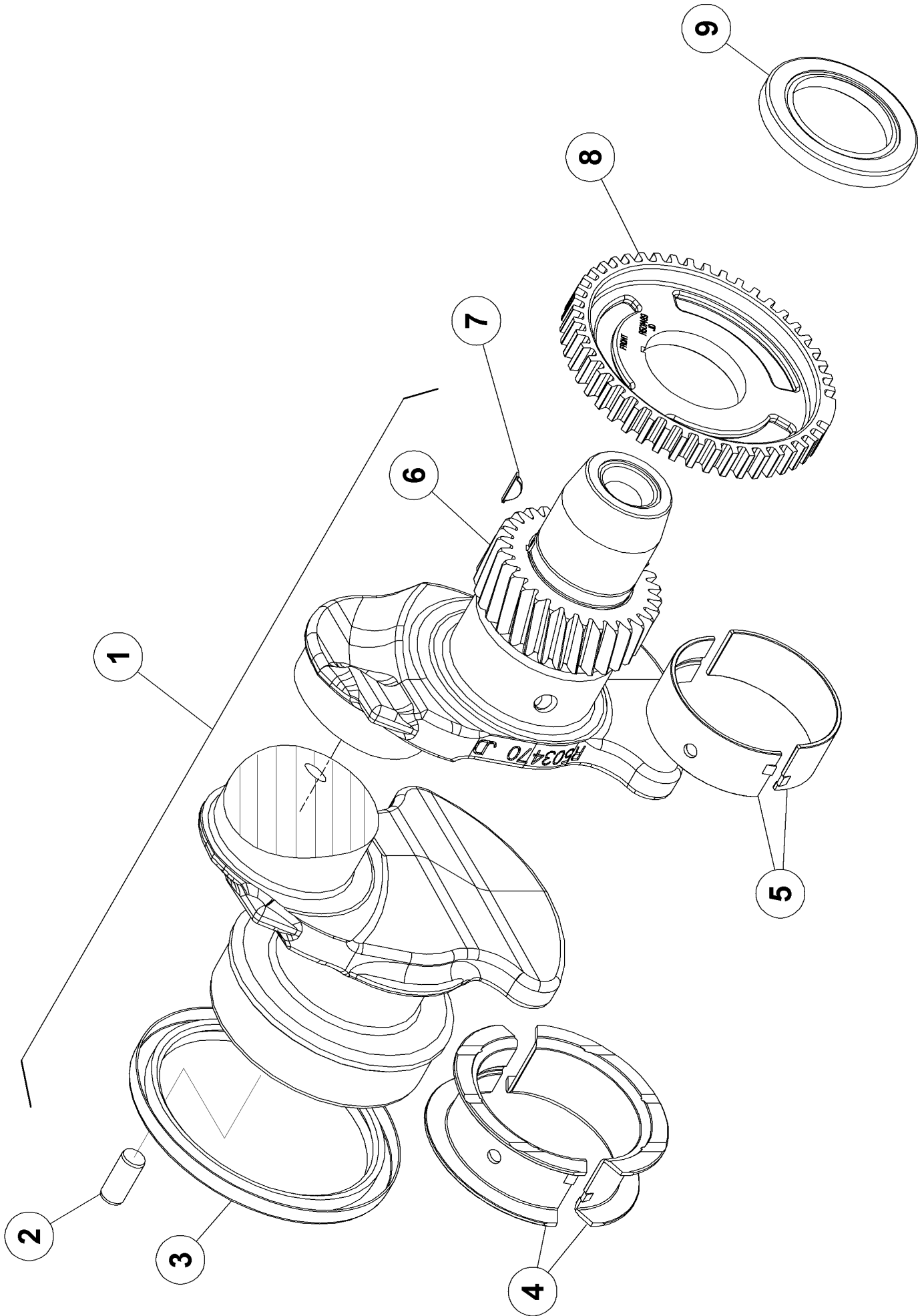
**100 CYLINDER LINER, PISTON**

<b>Pos.</b>	<b>Part No.</b>	<b>Description</b>	<b>Dimension</b>	<b>Quantity</b>	<b>Conditions</b>
1	<b>60 0502 869 4</b>	PISTON-LINER		6	
2	<b>60 0502 869 5</b>	SET OF PISTON RINGS		6	
3	<b>60 0501 280 9</b>	SEALING RING SET		6	
4	<b>60 0501 281 5</b>	ADJUSTING DISC		6	1)
4	<b>60 0501 281 6</b>	ADJUSTING DISC		6	2)
<b>1)</b>	<b>Remarks</b>		ép.0.05		
<b>2)</b>	<b>Remarks</b>		ép.0.10		



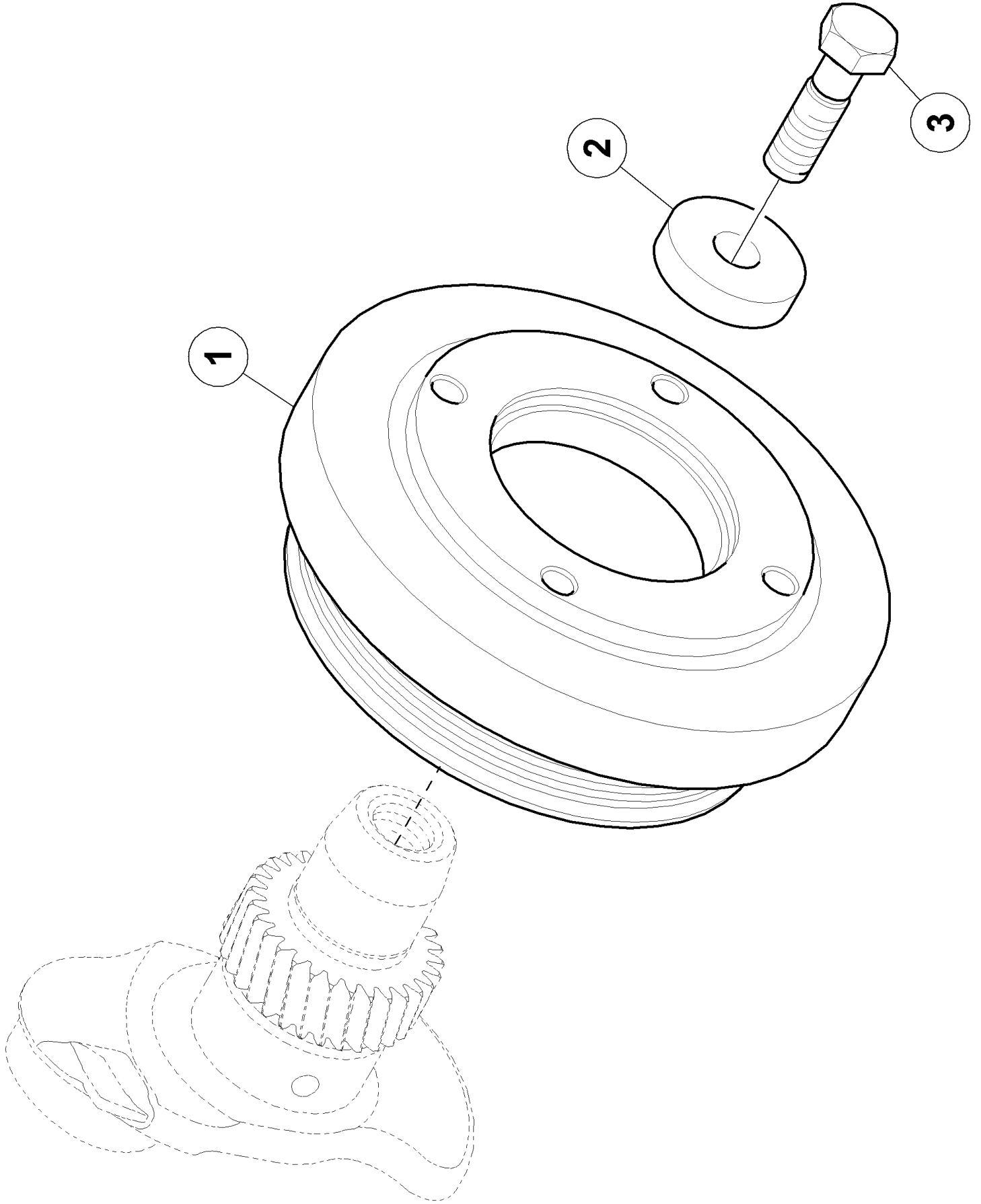
**120 CONNECTING ROD, CONNECTING ROD BEARINGS**

<b>Pos.</b>	<b>Part No.</b>	<b>Description</b>	<b>Dimension</b>	<b>Quantity</b>	<b>Conditions</b>
1	<b>60 0502 453 6</b>	CONNECTING ROD		6	
2	<b>60 0502 453 7</b>	SCREW	12 PTS M12 X 1,25 - 61	12	
3	<b>60 0502 147 6</b>	RING		6	
4	<b>60 0501 281 4</b>	INNER CIRCLIP		12	
5	<b>60 0502 147 7</b>	AXLE		6	
6	<b>60 0502 147 8</b>	BEARING		6	
6	<b>60 0502 147 9</b>	BEARING		6	1)
<b>1)</b>	<b>Remarks</b>		-0,254mm		



**140 CRANKSHAFT**

<b>Pos.</b>	<b>Part No.</b>	<b>Description</b>	<b>Dimension</b>	<b>Quantity</b>	<b>Conditions</b>
1	<b>60 0502 869 6</b>	CRANKSHAFT		1	
2	<b>60 0501 317 4</b>	CENTRING PIN		1	
3	<b>60 0501 279 0</b>	SHAFT SEAL	118X146X15	1	
4	<b>60 0502 148 1</b>	BEARING		1	
4	<b>60 0502 148 2</b>	BEARING		1	1)
5	<b>60 0502 148 3</b>	BEARING		6	
5	<b>60 0502 148 4</b>	BEARING		6	1)
6	<b>60 0502 148 5</b>	WHEEL		1	2)
7	<b>60 0502 869 7</b>	KEY		1	
8	<b>60 0502 869 8</b>	WHEEL		1	
9	<b>60 0503 024 7</b>	SEALING RING		1	
<b>1)</b>	<b>Remarks</b>		-0.254mm		
<b>2)</b>	<b>Remarks</b>		30 dts.		





**Suggest:**

**For more complete manuals. Please go to the home page.**

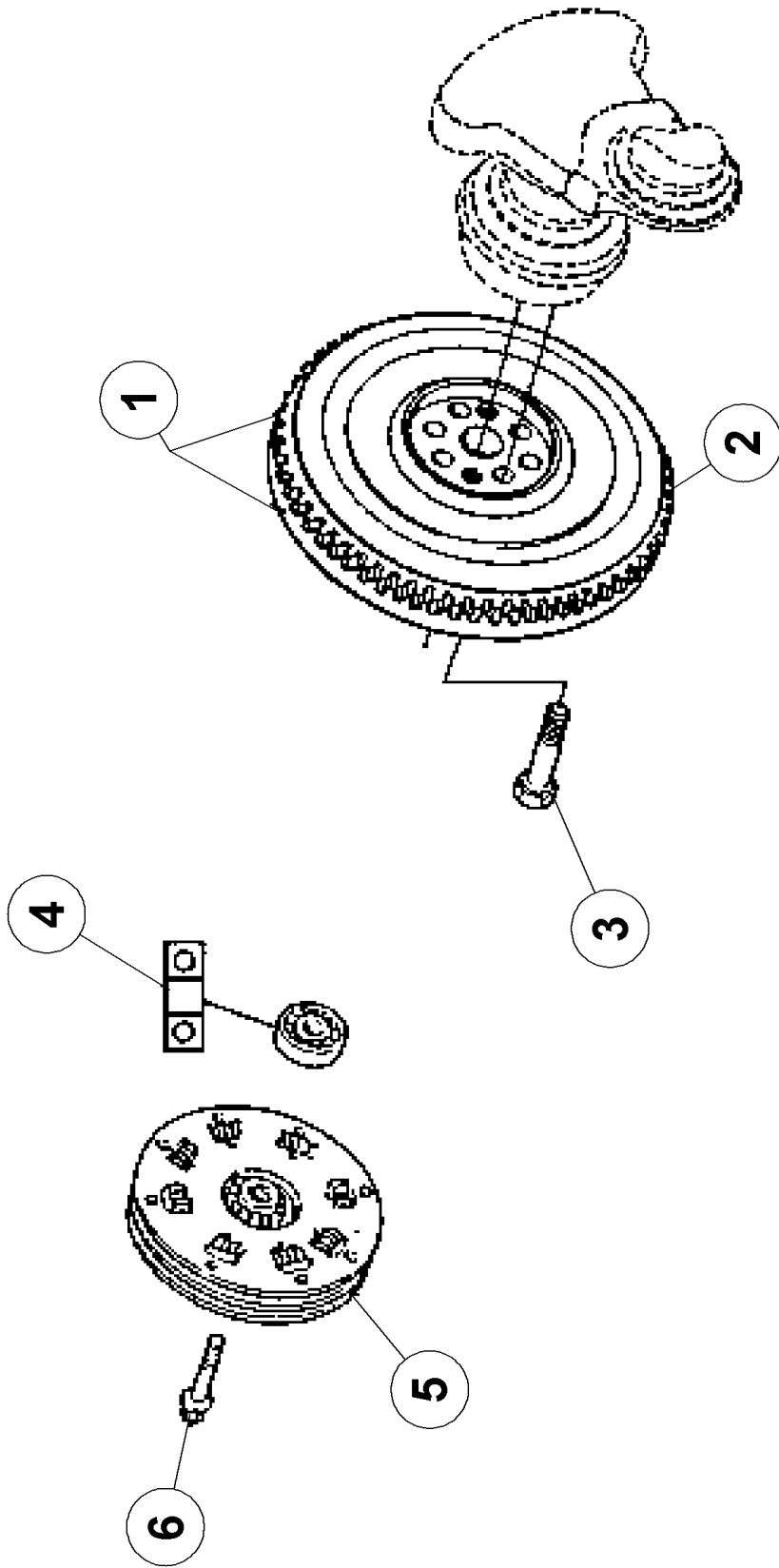
**<https://www.ebooklibonline.com>**

**If the above button click is invalid. Please download this document first, and then click the above link to download the complete manual.**

**Thank you so much for reading**

**161 CRANKSHAFT PULLEY WHEEL**

<b>Pos.</b>	<b>Part No.</b>	<b>Description</b>	<b>Dimension</b>	<b>Quantity</b>	<b>Conditions</b>
1	<b>77 0006 623 2</b>	ANTI-VIBRATION WHEEL		1	
2	<b>60 0503 045 1</b>	SPACER		1	
3	<b>60 0502 866 8</b>	SCREW	M20X70	1	



**<https://www.ebooklibonline.com>**

Hello dear friend!

Thank you very much for reading.

Enter the link into your browser.

The full manual is available for immediate download.

**<https://www.ebooklibonline.com>**