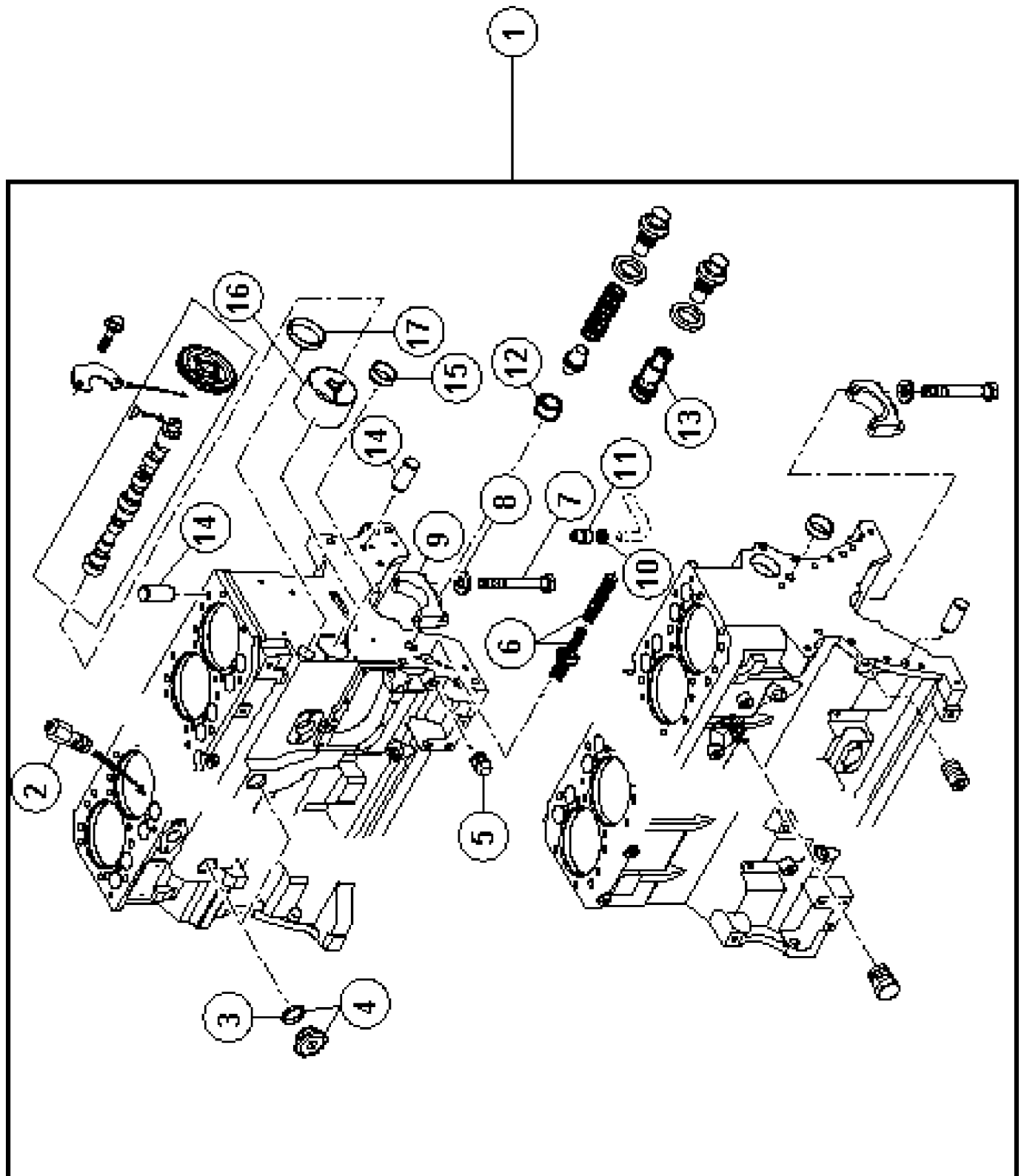


010 COMPLETE ENGINE

Pos.	Part No.	Description	Dimension	Quantity	Conditions
1	77 0006 016 8	ENGINE		1	1)
2	77 0006 016 9	ENGINE		1	2)
2	77 0006 017 0	ENGINE		1	3)
2	77 0006 017 1	ENGINE		1	4)
1)	Homologationtype		+ 8212 ->PL.10.1.03.A		
2)	Homologationtype		+ 8222 ->PL.10.1.03.A		
3)	Homologationtype		+ 8232 ->PL.10.1.03.A		
4)	Homologationtype		+ 8242 ->PL.10.1.03.A		



<https://www.ebooklibonline.com>

Hello dear friend!

Thank you very much for reading.

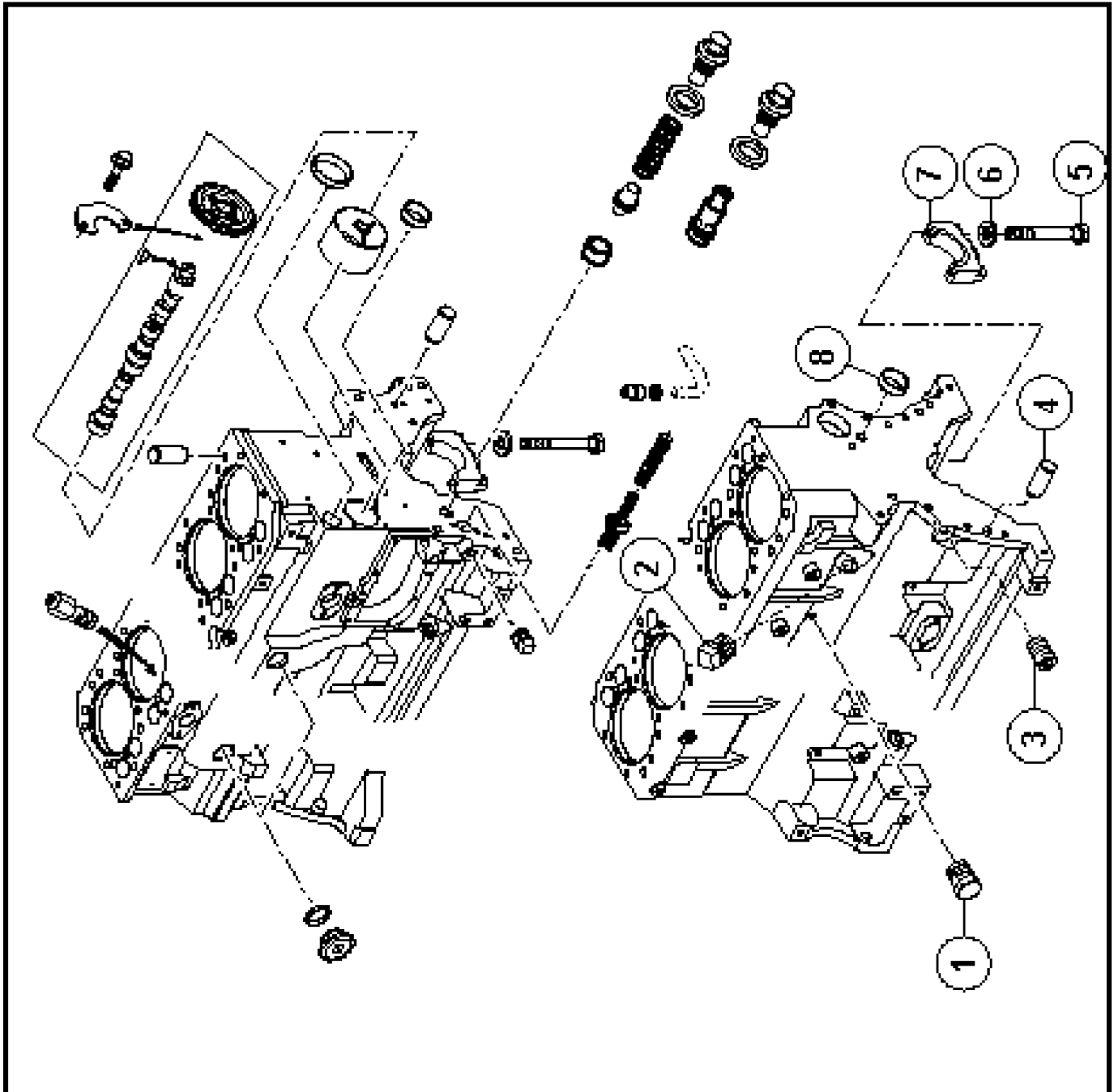
Enter the link into your browser.

The full manual is available for immediate download.

<https://www.ebooklibonline.com>

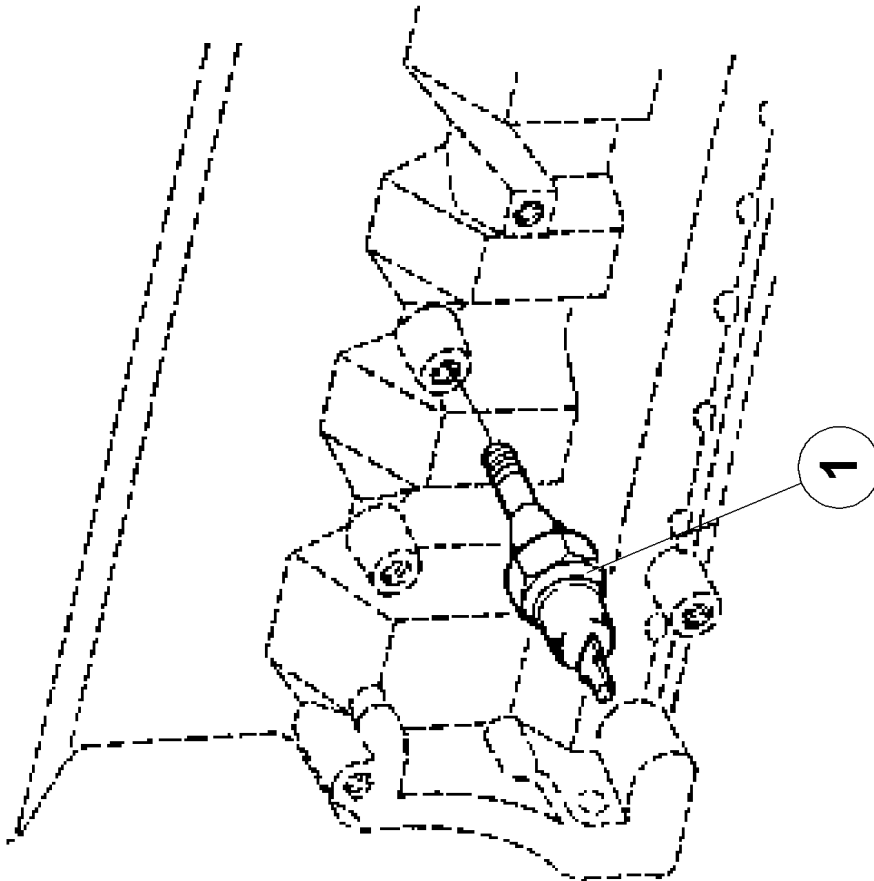
100 CRANKCASE

Pos.	Part No.	Description	Dimension	Quantity	Conditions
1	FA-CONSIGN ES	Consignes - CS		1	1)
-		<i>Please order!</i>			
	60 0502 339 2	SEAL KIT		1,000	
	60 0502 866 8	SCREW		1,000	
	60 0503 017 3	SHORT BLOCK		1,000	
	60 0503 045 1	SPACER		1,000	
	60 0503 053 1	CRANKSHAFT PULLEY		1,000	
1	FA-CONSIGN ES	Consignes - CS		1	2)
-		<i>Please order!</i>			
	60 0502 339 2	SEAL KIT		1,000	
	60 0502 866 8	SCREW		1,000	
	60 0503 033 2	SHORT BLOCK		1,000	
	60 0503 045 1	SPACER		1,000	
	60 0503 053 1	CRANKSHAFT PULLEY		1,000	
2	60 0502 143 6	SPRAY NOZZLE		6	
3	60 0502 339 4	O-RING		2	
4	60 0502 339 5	LOCK		2	
5	60 0501 320 2	LOCK		1	
6	60 0501 402 9	VALVE		1	
7	60 0501 320 6	SCREW		12	
8	60 0502 143 7	WASHER	13X22X2,5	12	
9	60 0502 143 8	COVER		6	
10	60 0501 334 1	O-RING		1	
11	60 0501 597 2	BUSHING		1	
12	60 0501 319 9	BUSHING		1	3)
13	60 0502 869 1	VALVE		1	4)
14	60 0501 319 6	CENTRING PIN		2	
15	60 0501 319 8	BLANKING COVER		2	
16	60 0501 294 1	BEARING		1	
17	60 0502 143 9	BLANKING COVER		1	
1)	Homologationtype			+ 8212	
2)	Homologationtype			- 8212	
3)	Motor	6068DRT50		up to CD6068D663165	
		6068TRT53		up to CD6068T663165	
		6068TRT54		up to CD6068T663165	
		6068TRT55		up to CD6068T663165	
4)	Motor	6068DRT50		from CD6068D663166	
		6068TRT53		from CD6068T663166	
		6068TRT54		from CD6068T663166	
		6068TRT55		from CD6068T663166	



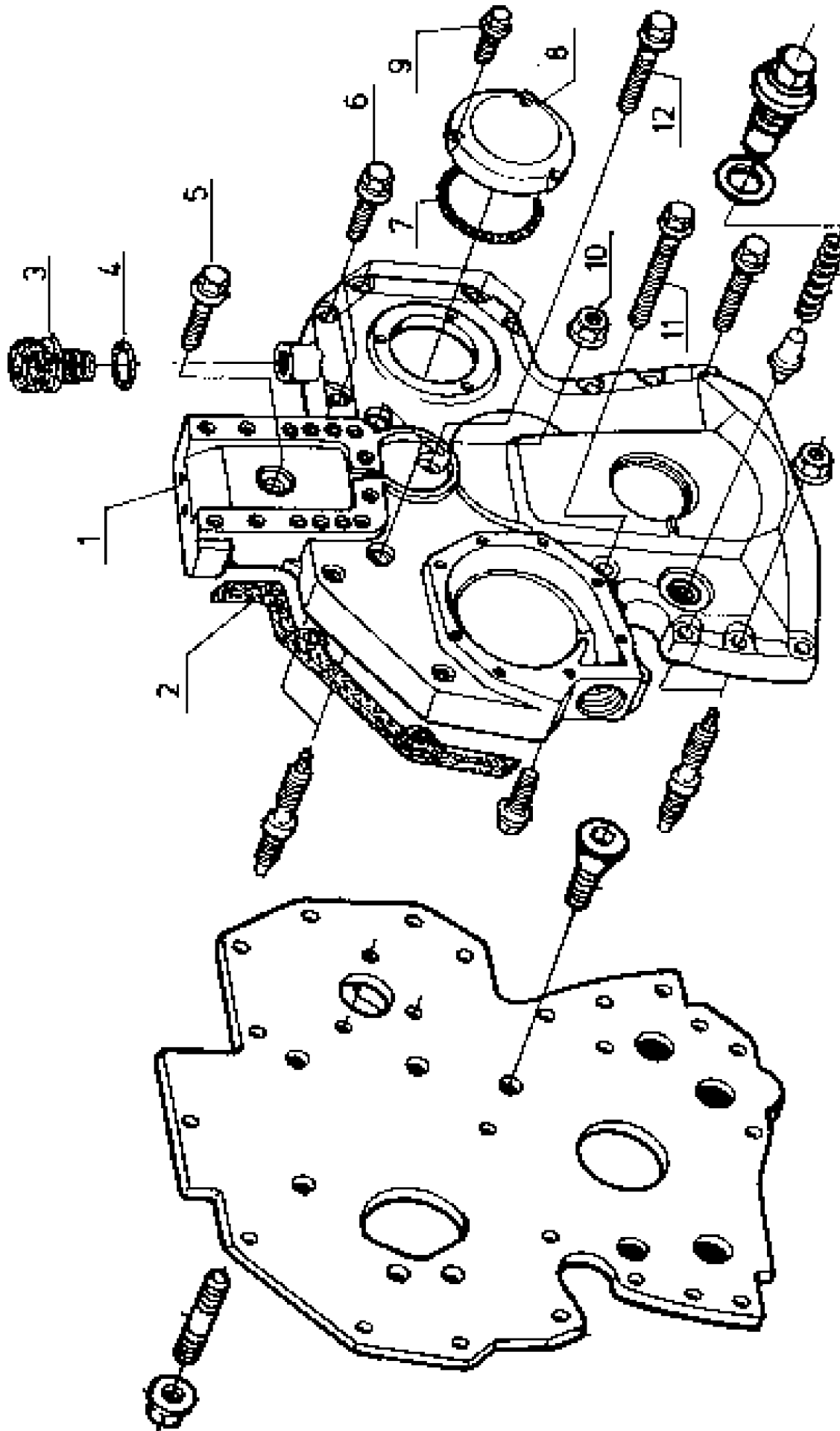
100 CRANKCASE

Pos.	Part No.	Description	Dimension	Quantity	Conditions
1	60 0502 665 3	PLUG		1	
2	60 0501 321 0	PLUG		1	1)
3	60 0502 144 0	LOCK		5	
4	60 0501 317 4	CENTRING PIN		4	
5	60 0501 320 6	SCREW		2	
6	60 0502 143 7	WASHER	13X22X2,5	2	
7	60 0502 144 1	COVER		1	
8	60 0501 319 8	BLANKING COVER		2	
1)	Remarks		S.R.		



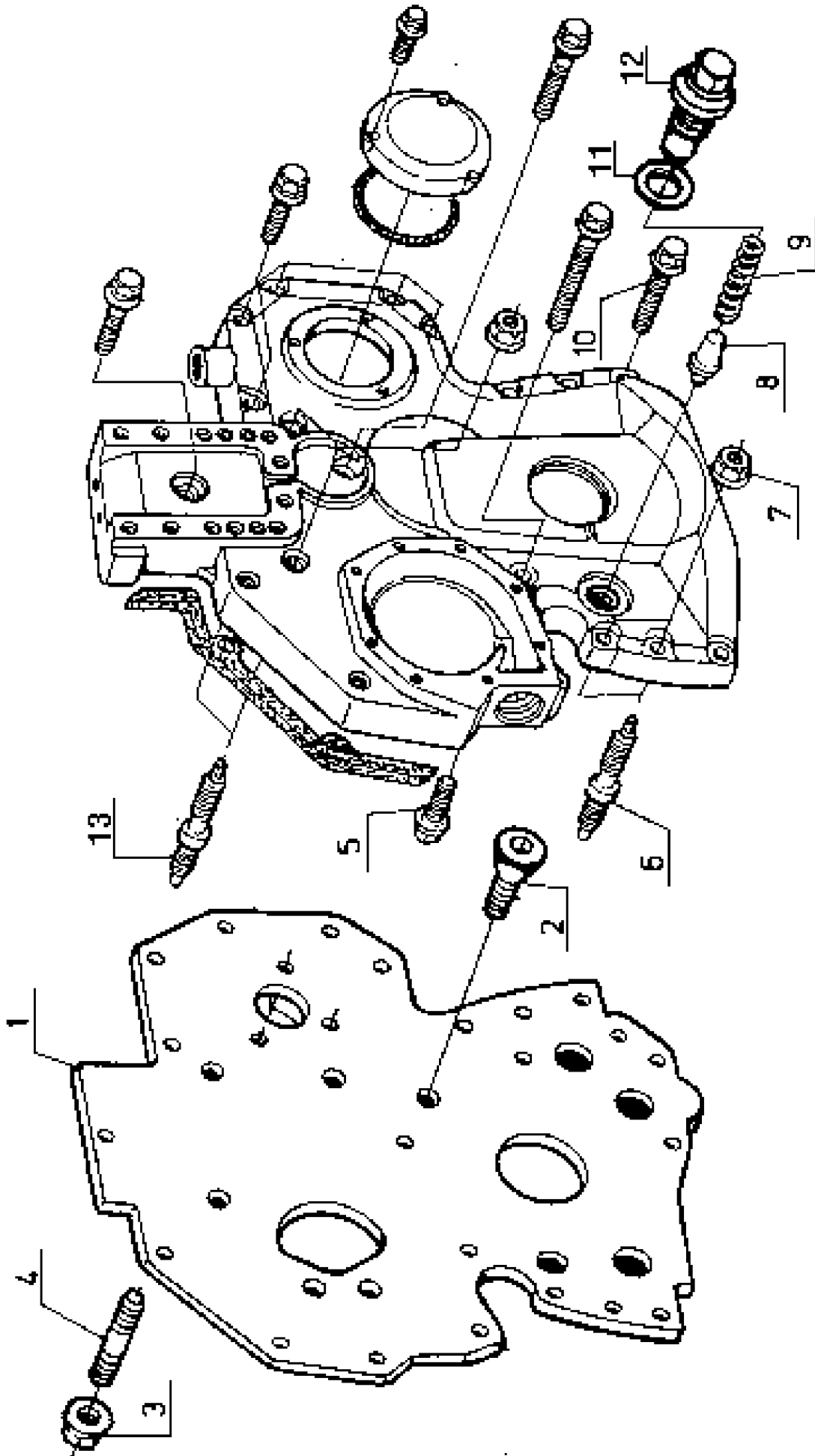
100 CRANKCASE

Pos.	Part No.	Description	Dimension	Quantity	Conditions
1	60 0501 342 7	TRANSMITTER		1	



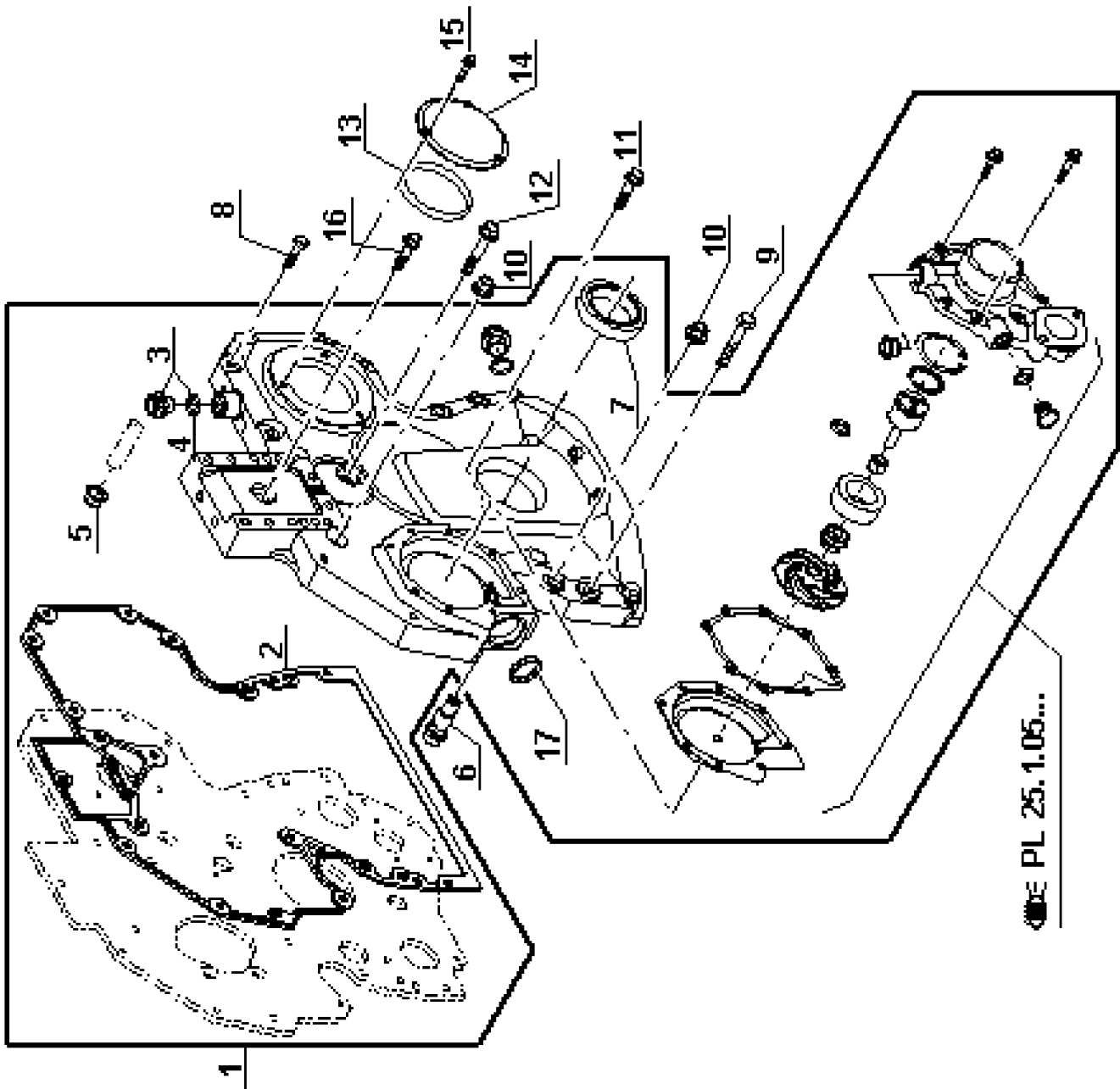
120 TIMING CASE 1)

Pos.	Part No.	Description	Dimension	Quantity	Conditions
1	FA-CONSIGN ES	Consignes - CS		1	
-		<i>Please order!</i> 60 0502 869 0 HOUSING		1,000	
2	60 0502 144 3	GASKET		1	
3	60 0502 895 5	SCREW PLUG	F-M20X1,5	1	
4	77 0002 464 6	O-RING	17X2-N ERS.D. 0238209.0	1	
5	60 0502 144 4	SCREW	M8X35	1	
6	60 0502 144 5	SCREW	M8X45	6	
7	60 0502 144 6	O-RING		1	
8	60 0502 144 7	COVER		1	
9	60 0502 144 8	SCREW	M6X16	3	
10	60 0502 144 9	NUT		6	
11	60 0502 145 0	SCREW	M08X60	1	
12	60 0502 339 6	SCREW		1	
1)	Motor	6068DRT50	up to CD6068D693156		
		6068TRT53	up to CD6068T693156		
		6068TRT54	up to CD6068T693156		
		6068TRT55	up to CD6068T693156		



120 TIMING CASE 1)

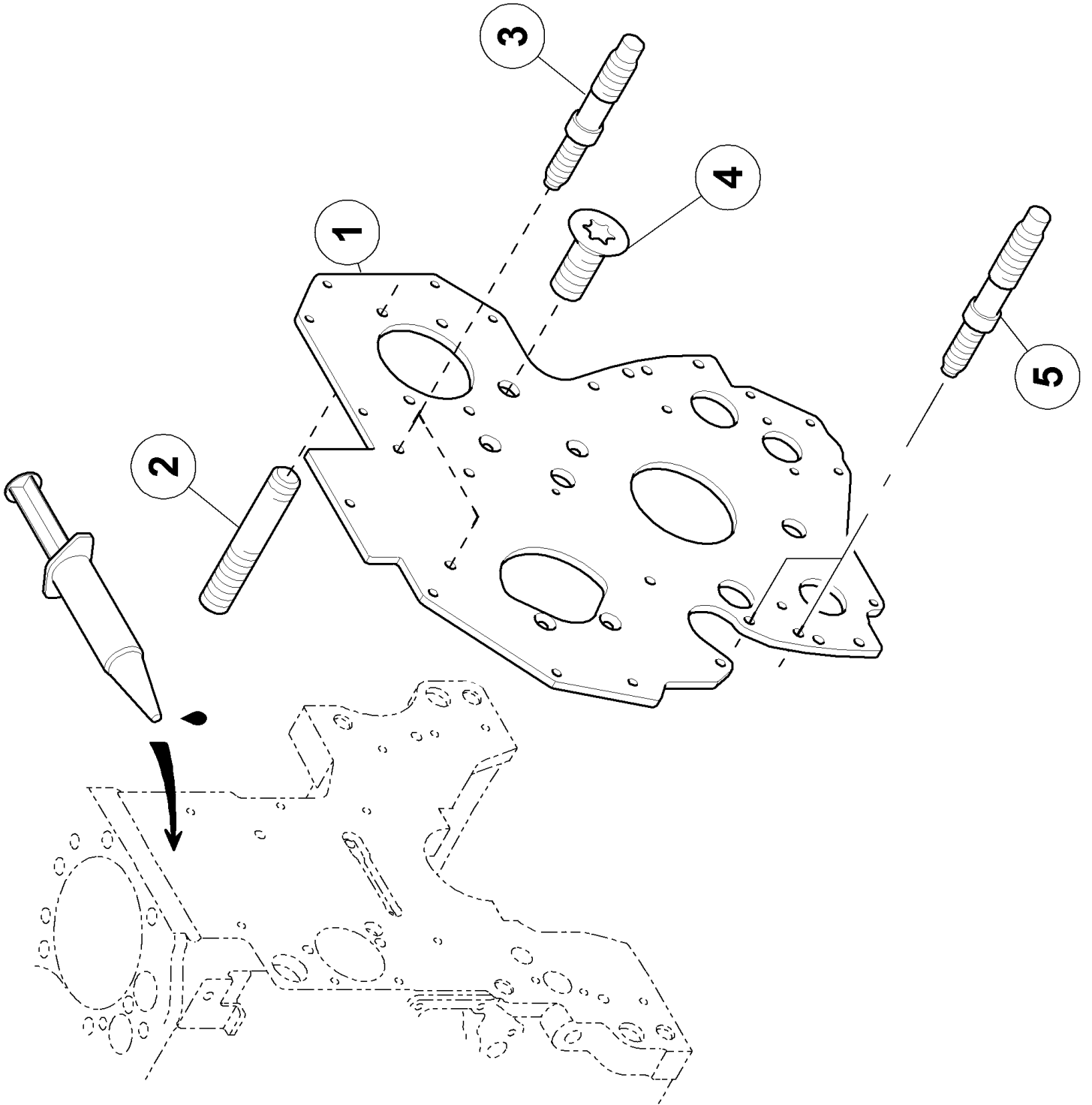
Pos.	Part No.	Description	Dimension	Quantity	Conditions
1	60 0502 145 2	PLATE		1	
2	60 0502 339 7	SCREW		4	
3	60 0502 145 4	FLANGE NUT	M08	3	
4	60 0502 145 5	STUD BOLT		3	
5	60 0502 145 6	SCREW	M8X25	1	
6	60 0502 145 7	STUD BOLT		4	
7	60 0502 144 9	NUT		6	
8	60 0501 277 5	VALVE		1	
9	60 0501 277 4	SPRING		1	
10	60 0502 145 8	SCREW		2	
11	60 0501 277 2	WASHER		1	
12	60 0501 277 1	SCREW		1	
13	60 0502 339 8	STUD BOLT		2	
1)	Motor	6068DRT50			up to CD6068D693156
		6068TRT53			up to CD6068T693156
		6068TRT54			up to CD6068T693156
		6068TRT55			up to CD6068T693156



PL 25.1.05...

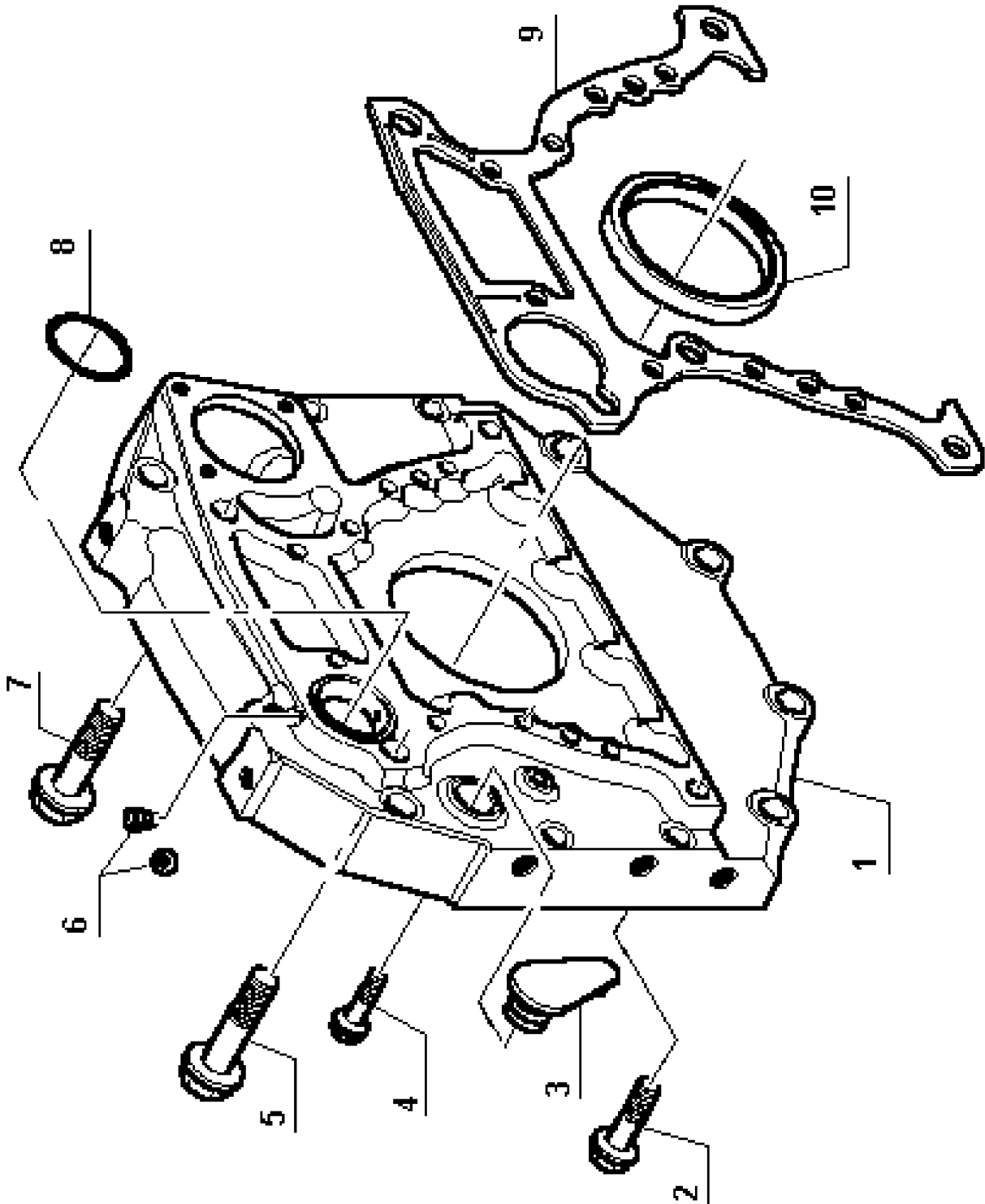
120 TIMING CASE 1)

Pos.	Part No.	Description	Dimension	Quantity	Conditions
1	60 0502 869 0	HOUSING		1	
2	60 0502 144 3	GASKET		1	
3	60 0502 895 5	SCREW PLUG	F-M20X1,5	1	
4	77 0002 464 6	O-RING	17X2-N ERS.D. 0238209.0	1	
5	60 0502 163 0	SEALING RING		1	
6	60 0502 869 1	VALVE		1	
7	60 0503 024 7	SEALING RING		1	
8	60 0502 144 5	SCREW	M8X45	6	
9	60 0502 145 8	SCREW		2	
10	60 0502 144 9	NUT		6	
11	60 0502 145 0	SCREW	M08X60	1	
12	60 0502 339 6	SCREW		1	
13	60 0502 144 6	O-RING		1	
14	60 0502 144 7	COVER		1	
15	60 0502 144 8	SCREW	M6X16	3	
16	60 0502 144 4	SCREW	M8X35	1	
17	60 0500 796 4	O-RING	37,69 X 3,53 NBR 80	1	
1)	Motor	6068DRT50	from CD6068D693157		
		6068TRT53	from CD6068T693157		
		6068TRT54	from CD6068T693157		
		6068TRT55	from CD6068T693157		



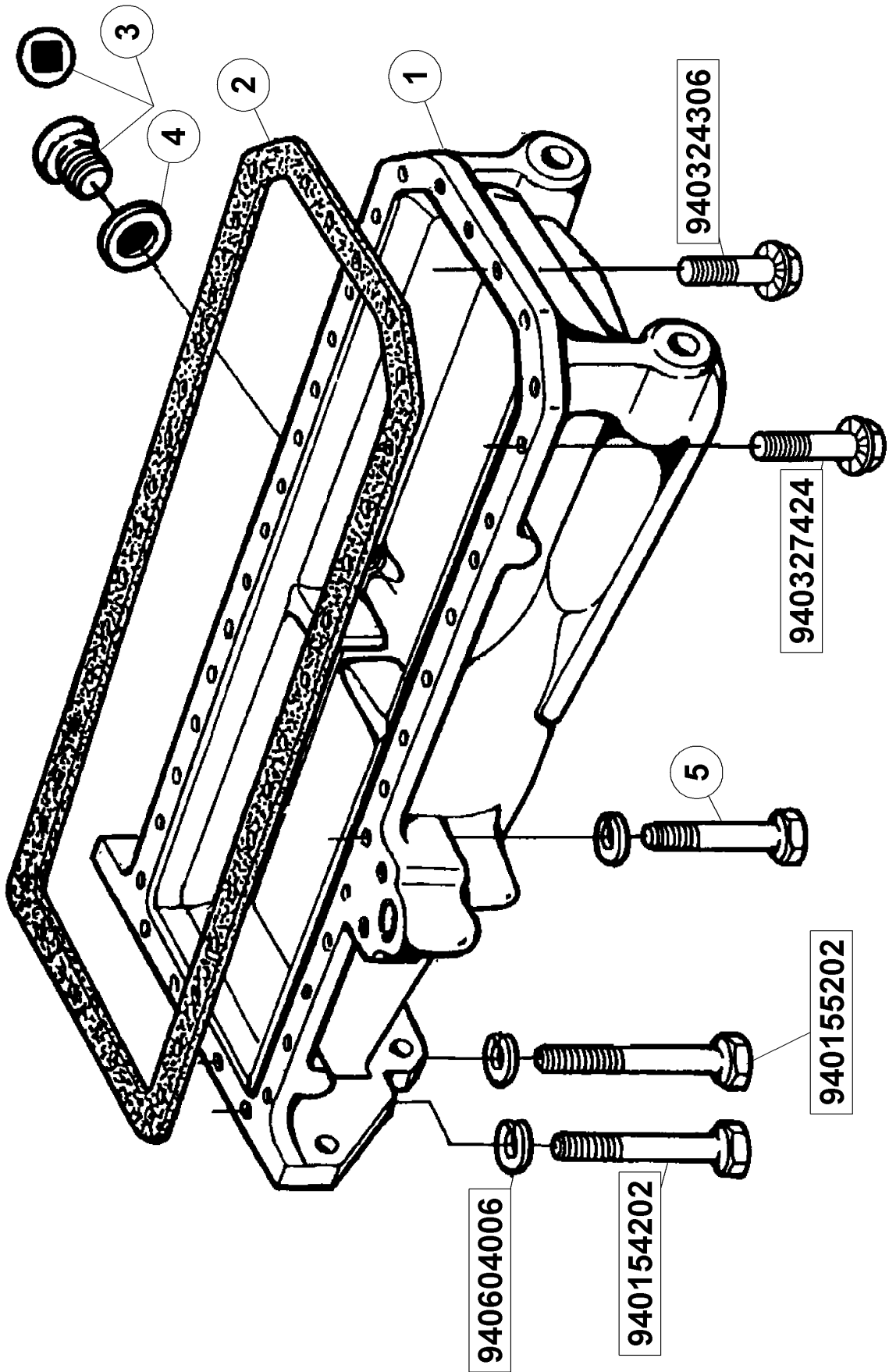
120 TIMING CASE 1)

Pos.	Part No.	Description	Dimension	Quantity	Conditions
1	60 0502 145 2	PLATE		1	
2	60 0502 145 5	STUD BOLT		3	
3	60 0502 339 8	STUD BOLT		2	
4	60 0502 339 7	SCREW		4	
5	60 0502 145 7	STUD BOLT		4	
1)	Motor	6068DRT50	from CD6068D693157		
		6068TRT53	from CD6068T693157		
		6068TRT54	from CD6068T693157		
		6068TRT55	from CD6068T693157		



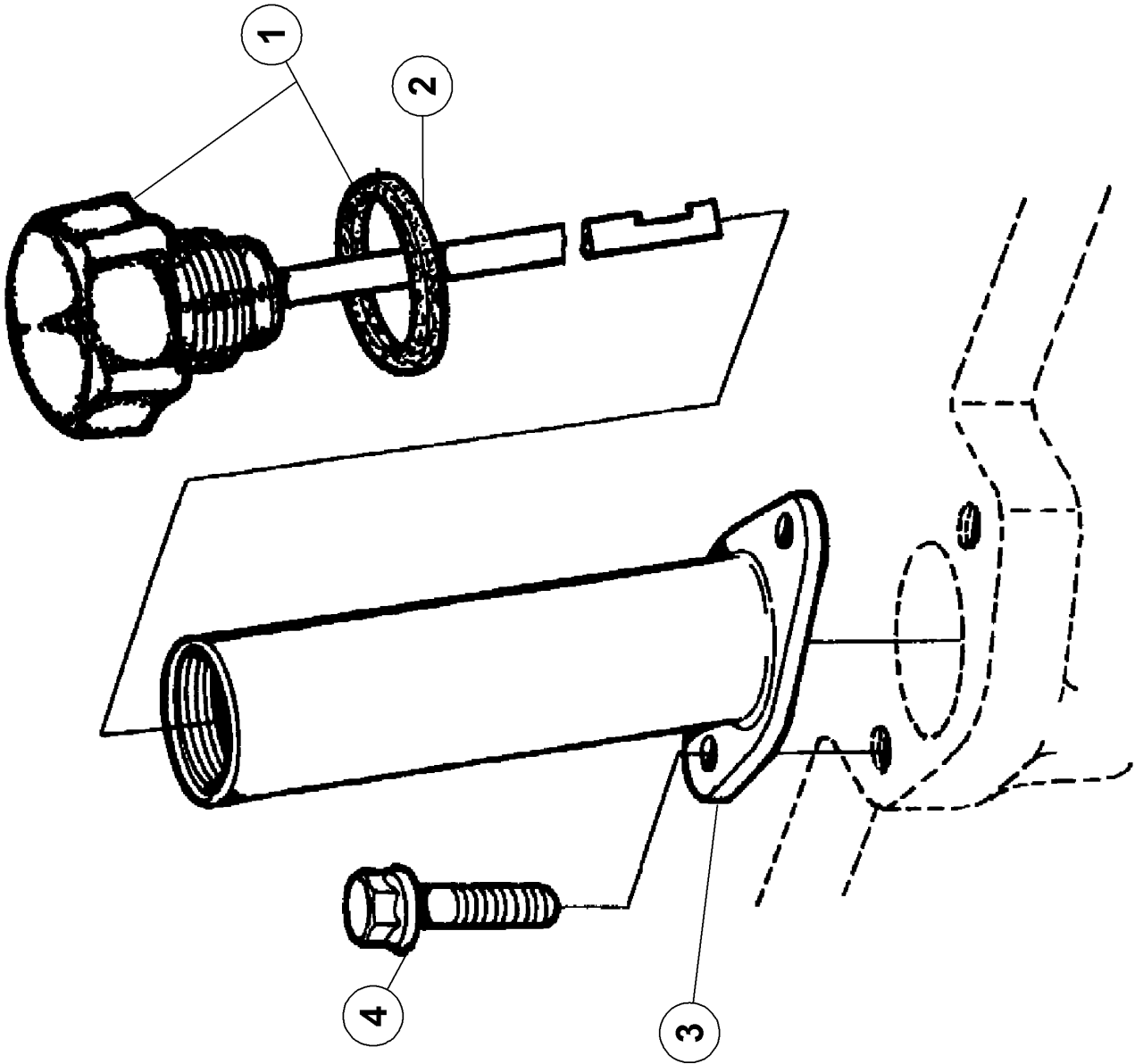
140 FLYWHEEL HOUSING

Pos.	Part No.	Description	Dimension	Quantity	Conditions
1	60 0502 665 6	HOUSING		1	
2	60 0502 777 3	SCREW	M16X60	2	
3	60 0501 611 6	BLANKING COVER		1	
4	60 0502 146 7	SCREW	M12X40	8	
5	60 0502 777 3	SCREW	M16X60	1	
6	60 0502 146 4	LOCK		1	
7	60 0502 146 5	SCREW		1	
8	60 0501 604 9	O-RING		1	
9	77 0005 577 1	GASKET		1	
10	60 0501 279 0	SHAFT SEAL	118X146X15	1	



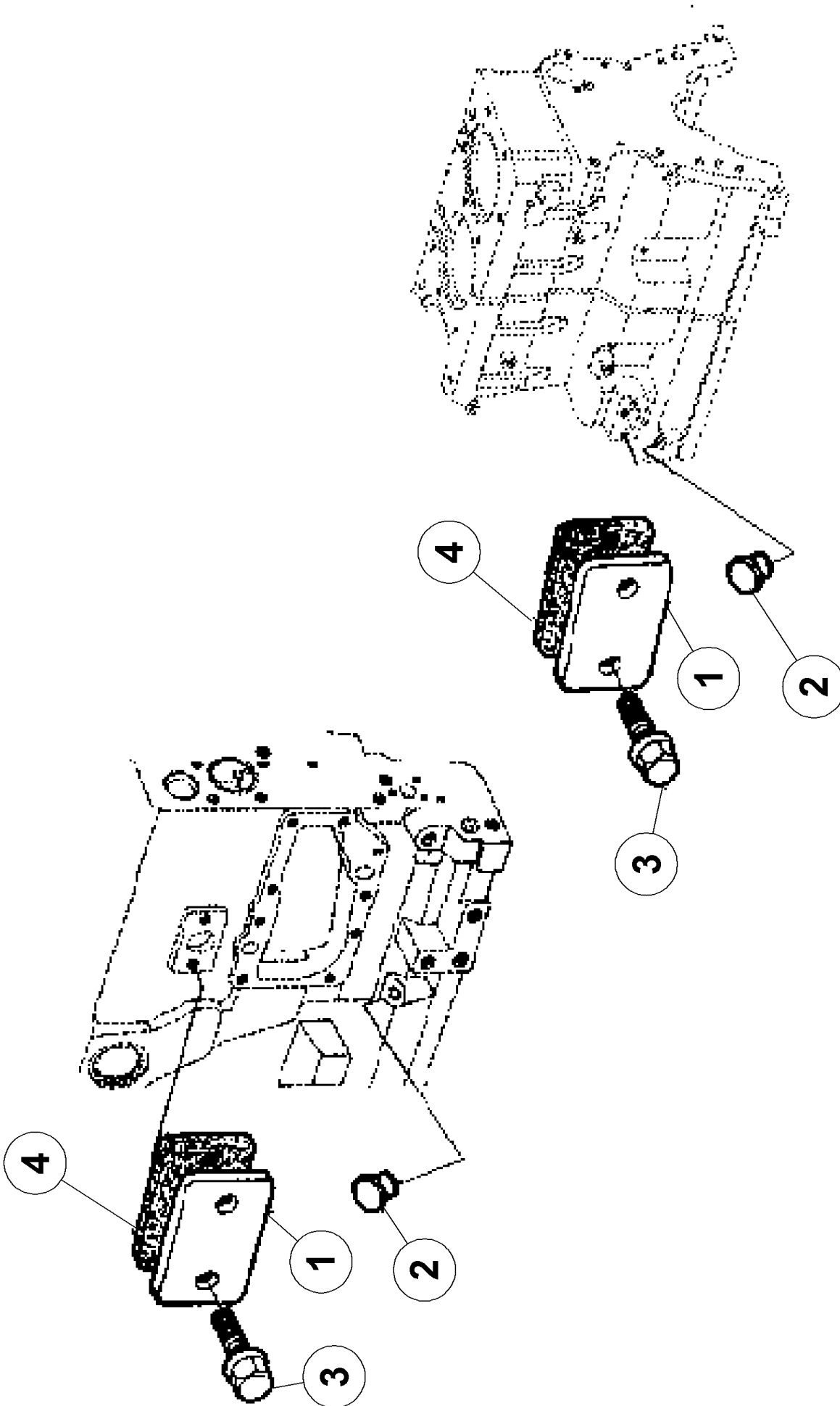
160 OIL PAN

Pos.	Part No.	Description	Dimension	Quantity	Conditions
1	60 0502 666 5	OIL SUMP		1	
2	60 0502 666 6	GASKET		1	
3	60 0501 279 3	LOCK		1	
4	60 0501 211 0	GASKET		1	
5	60 0502 147 1	SCREW		2	
94015 4202	77 0310 108 5	HEXAGON HEAD BOLT	M10X140-32	2	
94015 5202	77 0102 451 6	SCREW		2	
94032 4306	77 0101 759 2	SCREW	M08X35 VERBUS RIPP	6	
94032 7424	77 0001 434 0	SCREW	M10X35 - VERBUS RIPP	24	
94060 4006	77 0305 501 3	WASHER	10	6	



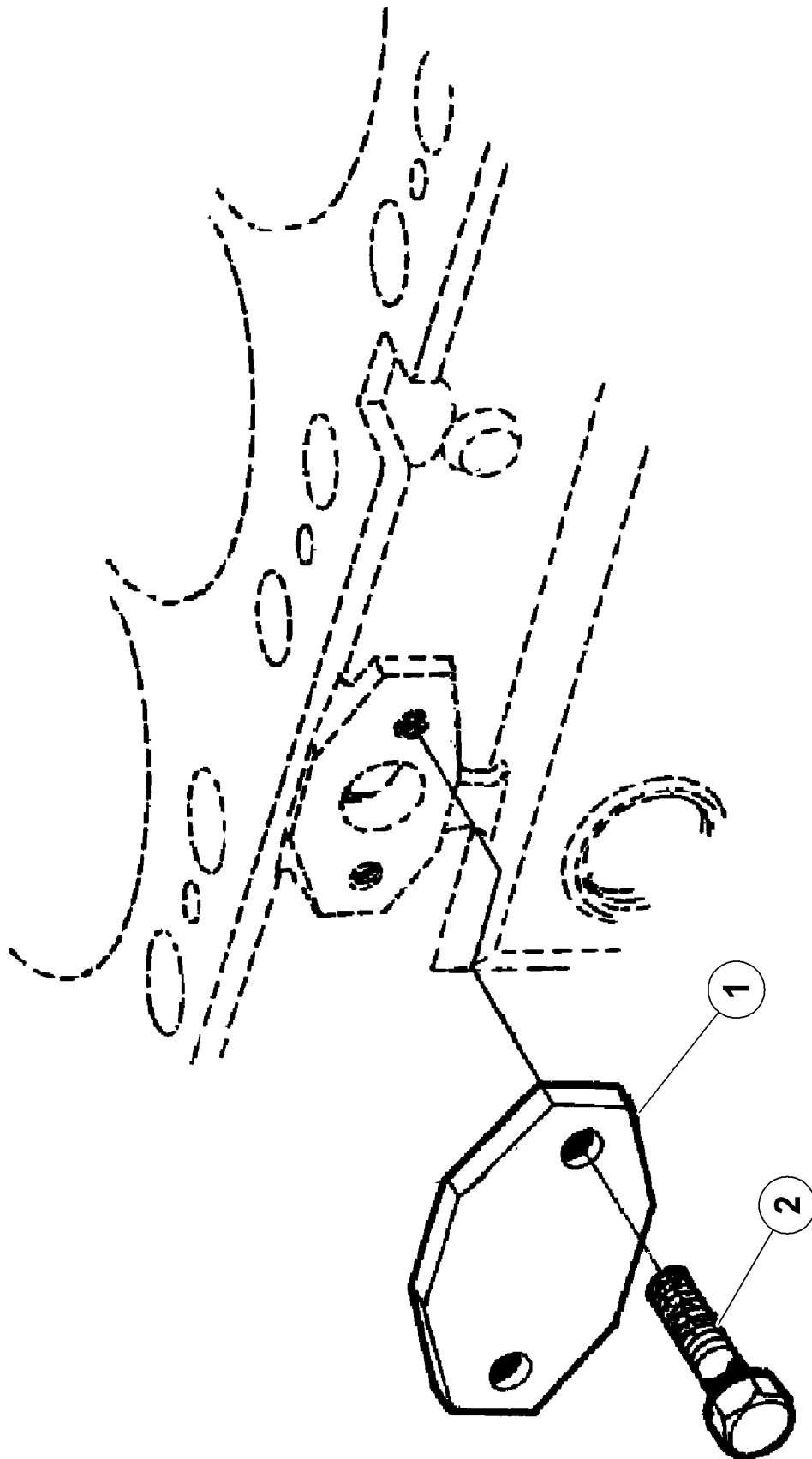
160 OIL PAN

Pos.	Part No.	Description	Dimension	Quantity	Conditions
1	60 0501 279 5	GAUGE		1	
2	60 0501 334 6	O-RING		1	
3	60 0501 279 4	TUBE		1	
4	60 0502 145 6	SCREW	M8X25	2	1)
1)	Remarks		M8x25		



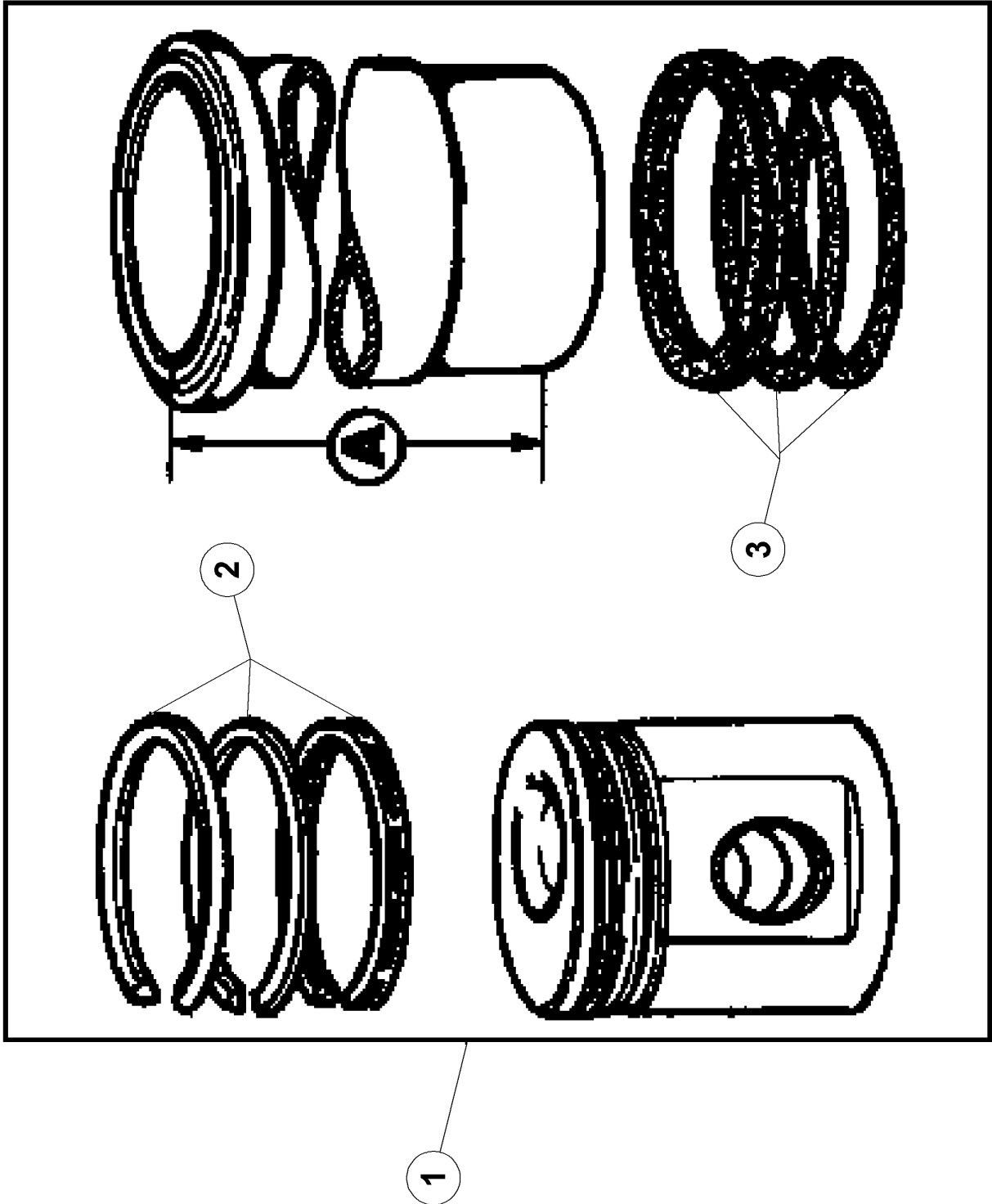
180 PLUGS

Pos.	Part No.	Description	Dimension	Quantity	Conditions
1	60 0502 470 2	PLATE		2	
2	60 0502 662 4	PLUG		2	
3	60 0502 149 8	SCREW	M8X20	4	
4	60 0502 470 4	GASKET		2	



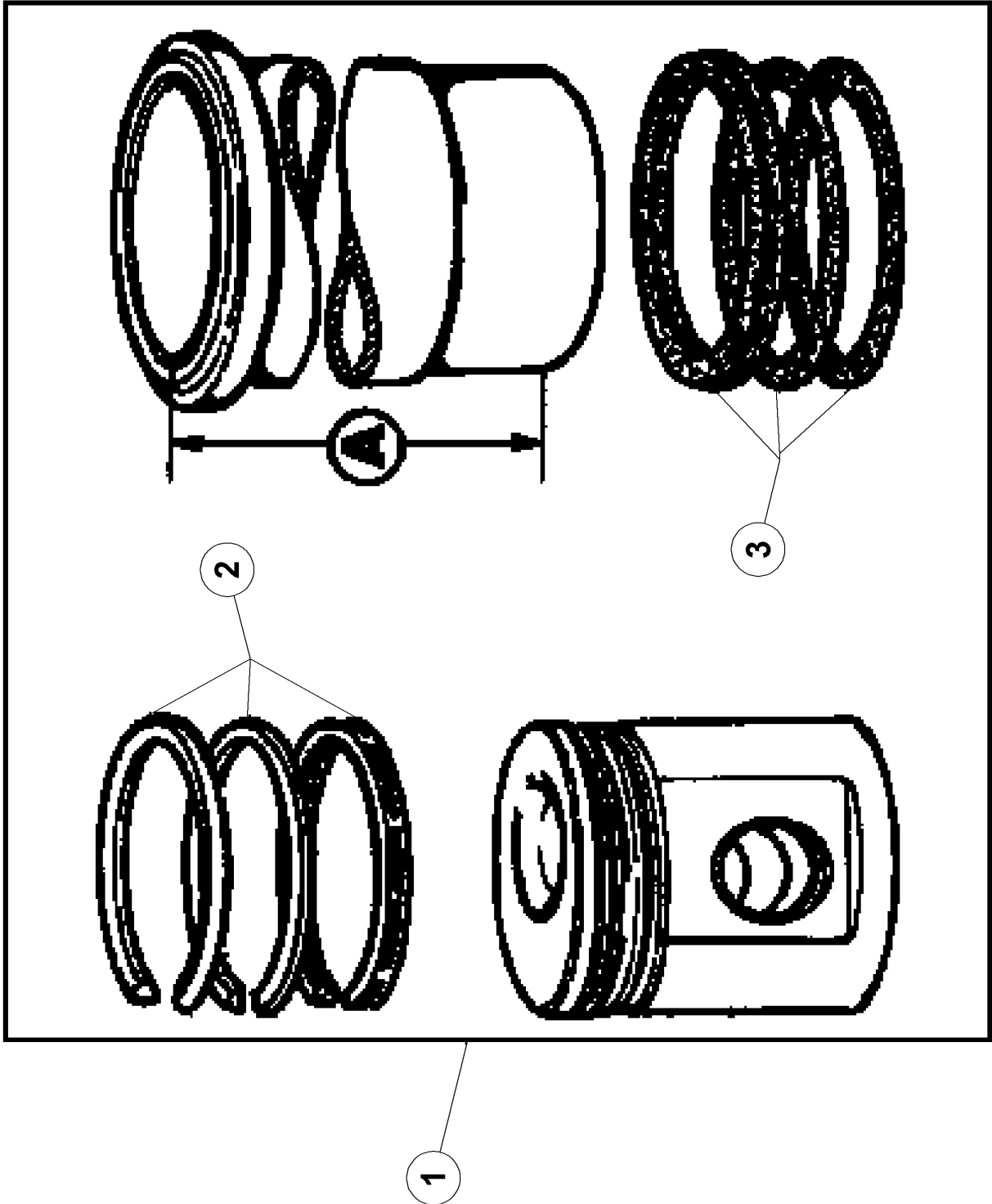
180 PLUGS

Pos.	Part No.	Description	Dimension	Quantity	Conditions
1	60 0502 662 2	PLATE		1	
2	60 0502 662 3	SCREW		2	



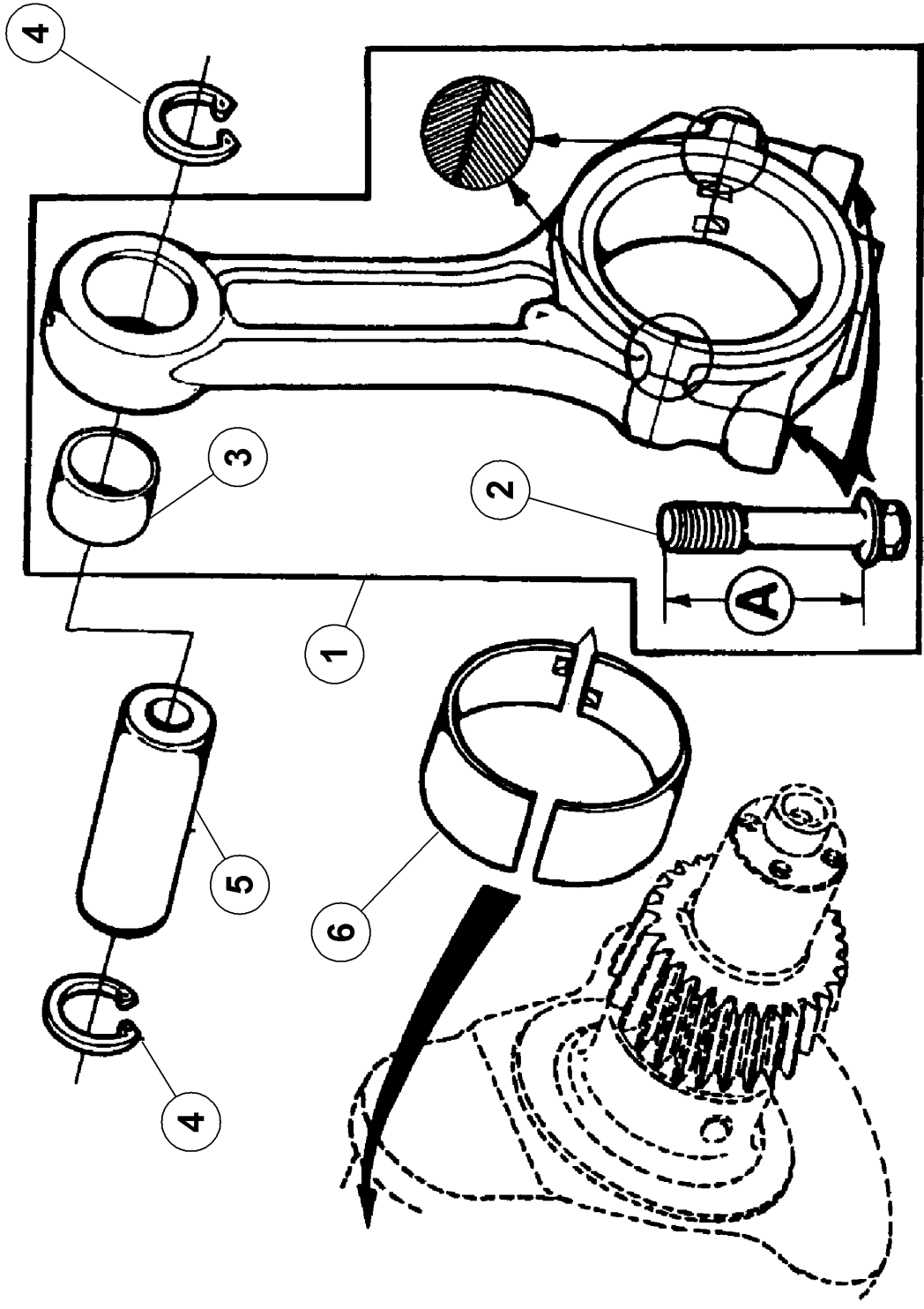
100 CYLINDER LINER, PISTON 1)

Pos.	Part No.	Description	Dimension	Quantity	Conditions
1	60 0502 663 1	PISTON-LINER		6	2)
2	60 0502 494 9	SET OF PISTON RINGS		1	
3	60 0501 280 9	SEALING RING SET		1	
1)	Homologationtype		+ 8212		
2)	Remarks		A = 218mm		



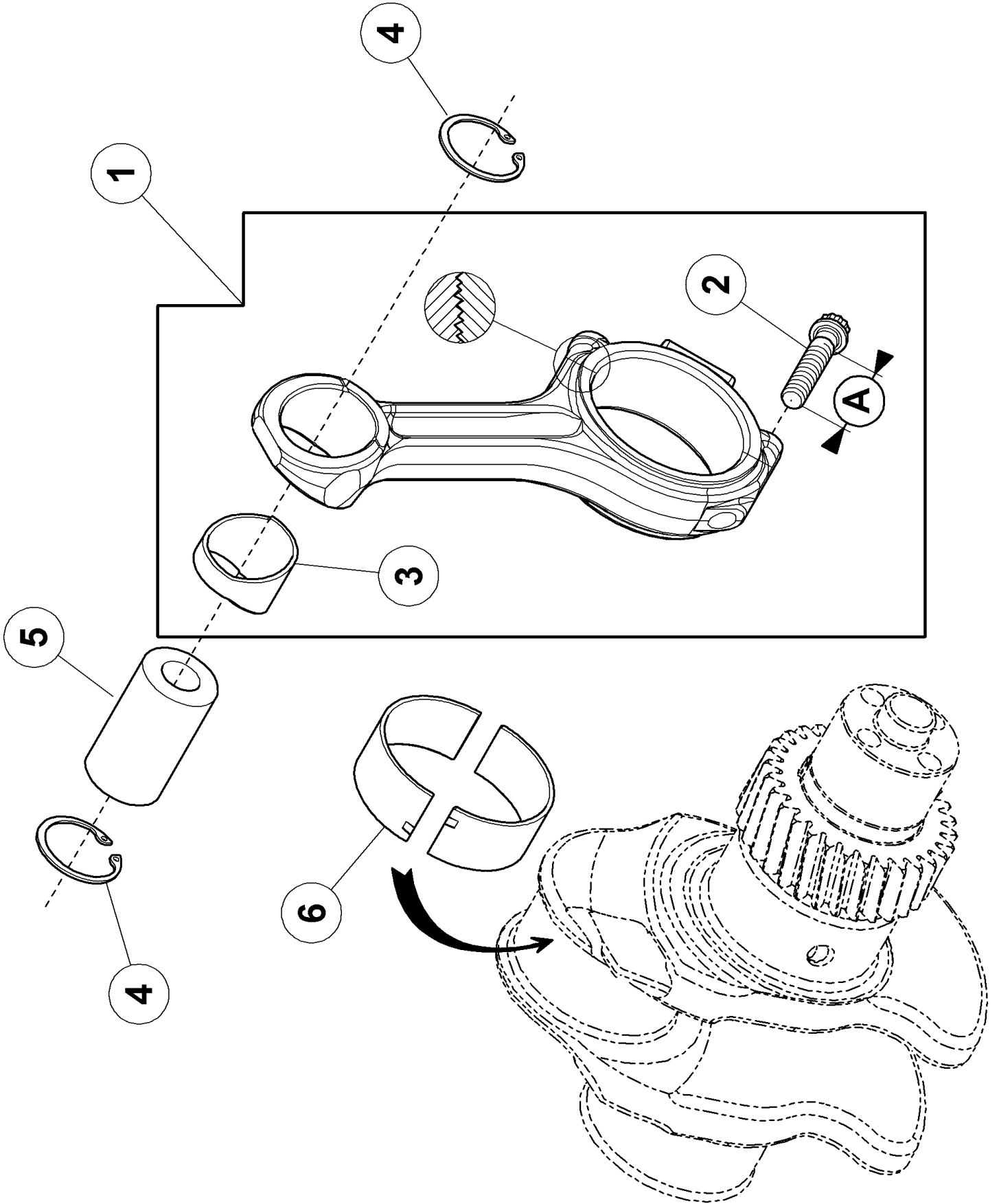
100 CYLINDER LINER, PISTON 1)

Pos.	Part No.	Description	Dimension	Quantity	Conditions
1	FA-CONSIGN ES	Consignes - CS		6	2)
-		<i>Please order!</i> <i>60 0502 869 4 PISTON-LINER</i>		1,000	
2	60 0502 869 5	SET OF PISTON RINGS		1	
3	60 0501 280 9	SEALING RING SET		1	
1)	Homologationtype		+ 8222 + 8232 + 8242		
2)	Remarks		A = 218mm		



120 CONNECTING ROD, CONNECTING ROD BEARINGS 1)

Pos.	Part No.	Description	Dimension	Quantity	Conditions
1	60 0502 662 8	ROD (ENGINE)		6	
2	60 0502 453 7	SCREW	12 PTS M12 X 1,25 - 61	12	2)
3	60 0502 662 9	RING		6	
4	60 0501 281 3	INT RETAINING RING		12	
5	60 0502 663 0	AXLE		6	
6	60 0502 147 8	BEARING		6	
6	60 0502 147 9	BEARING		6	3)
1)	Homologationtype		+ 8212		
2)	Remarks		A = 61mm		
3)	Remarks		-0,254mm		



120 CONNECTING ROD, CONNECTING ROD BEARINGS 1)

Pos.	Part No.	Description	Dimension	Quantity	Conditions
1	60 0502 453 6	CONNECTING ROD		6	
2	60 0502 453 7	SCREW	12 PTS M12 X 1,25 - 61	12	
3	60 0502 147 6	RING		6	
4	60 0501 281 4	INNER CIRCLIP		12	
5	60 0502 147 7	AXLE		6	
6	60 0502 147 8	BEARING		6	
6	60 0502 147 9	BEARING		6	2)
1)	Homologationtype		+ 8222 + 8232 + 8242		
2)	Remarks		-0,254mm		



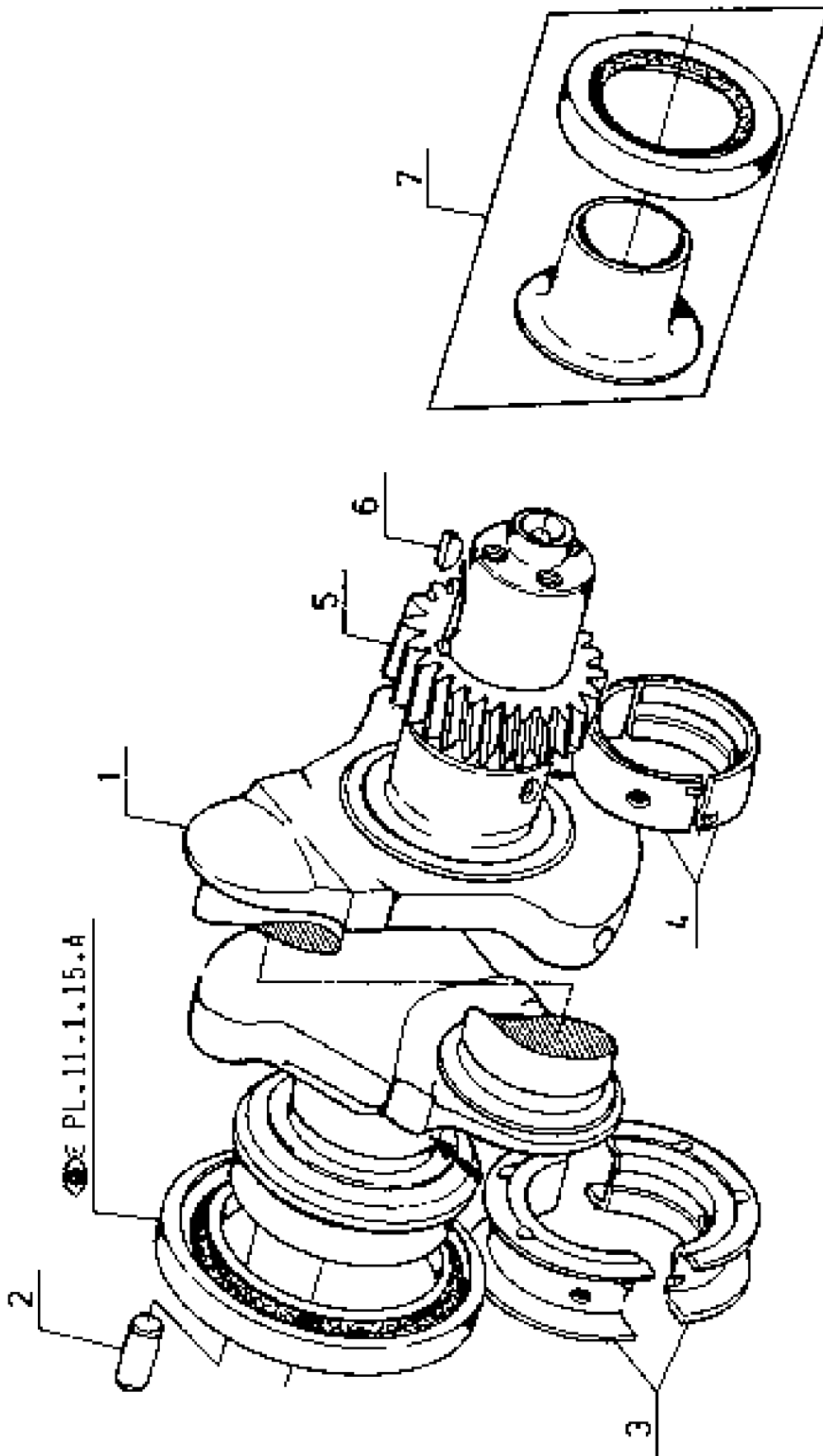
Suggest:

For more complete manuals. Please go to the home page.

<https://www.ebooklibonline.com>

If the above button click is invalid. Please download this document first, and then click the above link to download the complete manual.

Thank you so much for reading



140 CRANKSHAFT

Pos.	Part No.	Description	Dimension	Quantity	Conditions
1	00 1136 680 0	CRANKSHAFT		1	
2	60 0501 317 4	CENTRING PIN		1	
3	60 0502 148 1	BEARING		1	
3	60 0502 148 2	BEARING		1	1)
4	60 0502 148 3	BEARING		6	
4	60 0502 148 4	BEARING		6	1)
5	60 0502 148 5	WHEEL		1	2)
6	60 0502 148 6	KEY		1	
7	60 0502 148 7	SLEEVE		1	
1)	Remarks		-0,254mm		
2)	Remarks		30dts.		

<https://www.ebooklibonline.com>

Hello dear friend!

Thank you very much for reading.

Enter the link into your browser.

The full manual is available for immediate download.

<https://www.ebooklibonline.com>