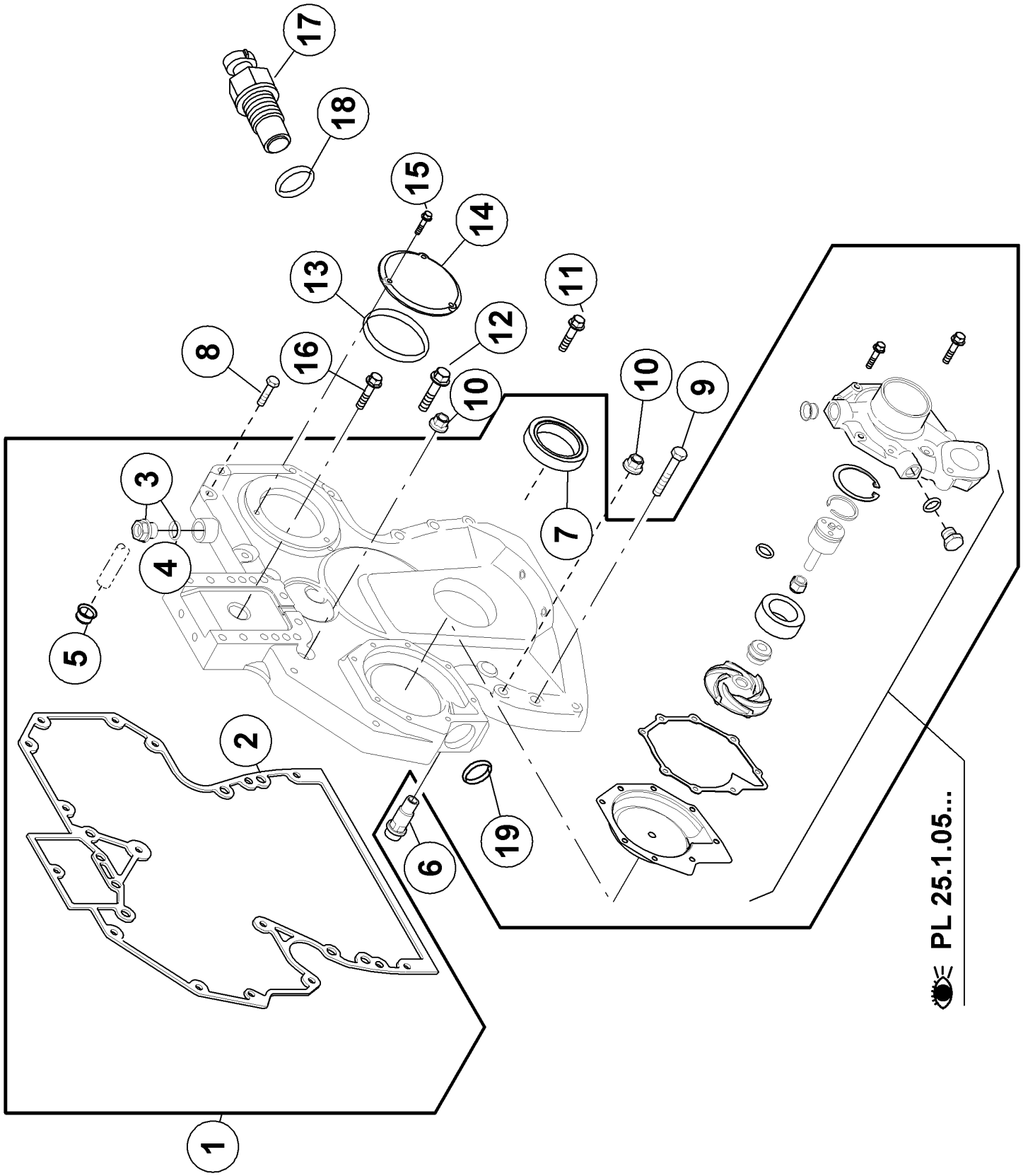


010 COMPLETE ENGINE

Pos.	Part No.	Description	Dimension	Quantity	Conditions
1	77 0006 324 3	ENGINE		1	1)
1	77 0006 563 5	ENGINE		1	2)
1)	Homologationtype			+ 8212	
2)	Homologationtype			+ 8232	



PL 25.1.05...

<https://www.ebooklibonline.com>

Hello dear friend!

Thank you very much for reading.

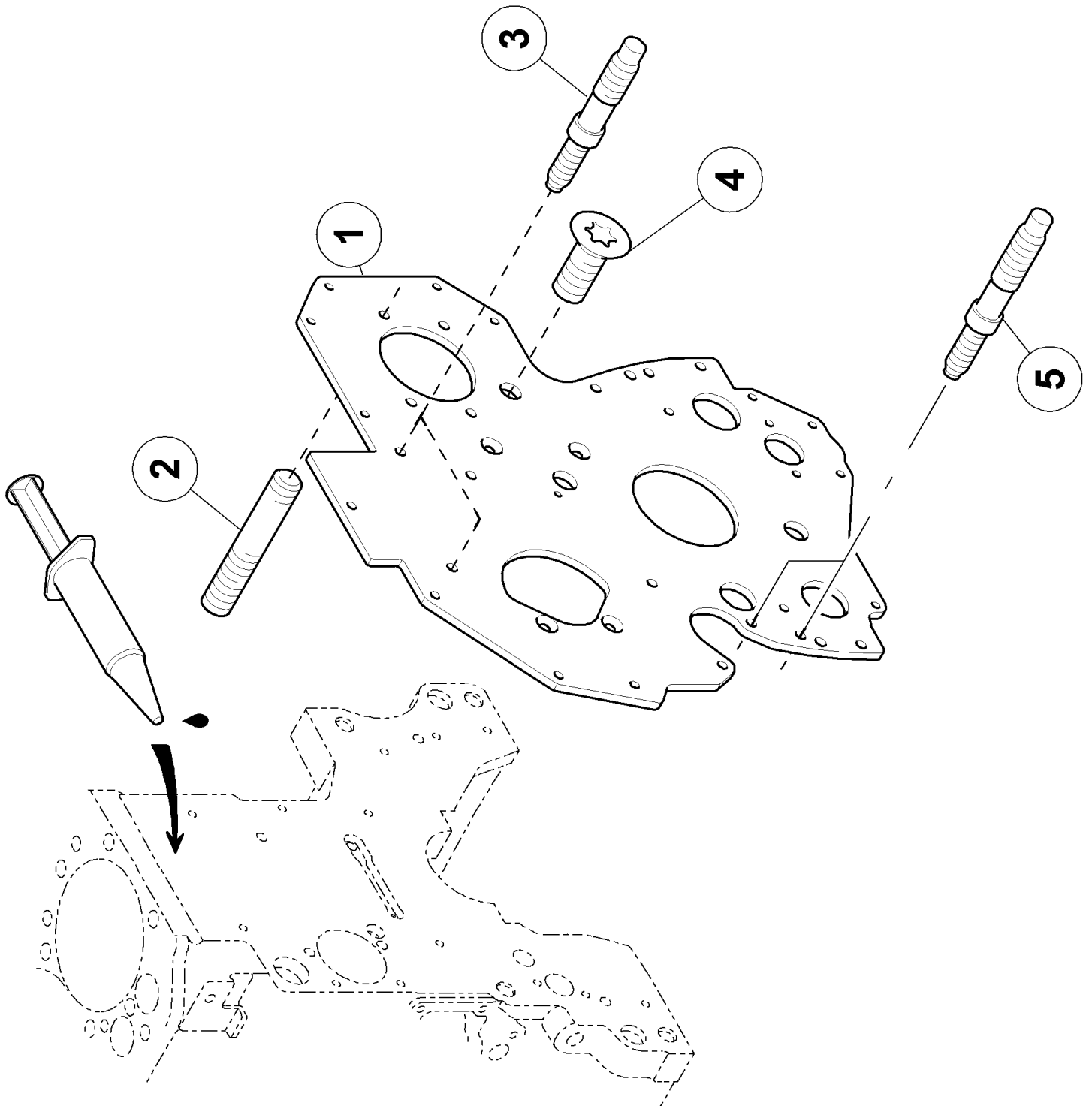
Enter the link into your browser.

The full manual is available for immediate download.

<https://www.ebooklibonline.com>

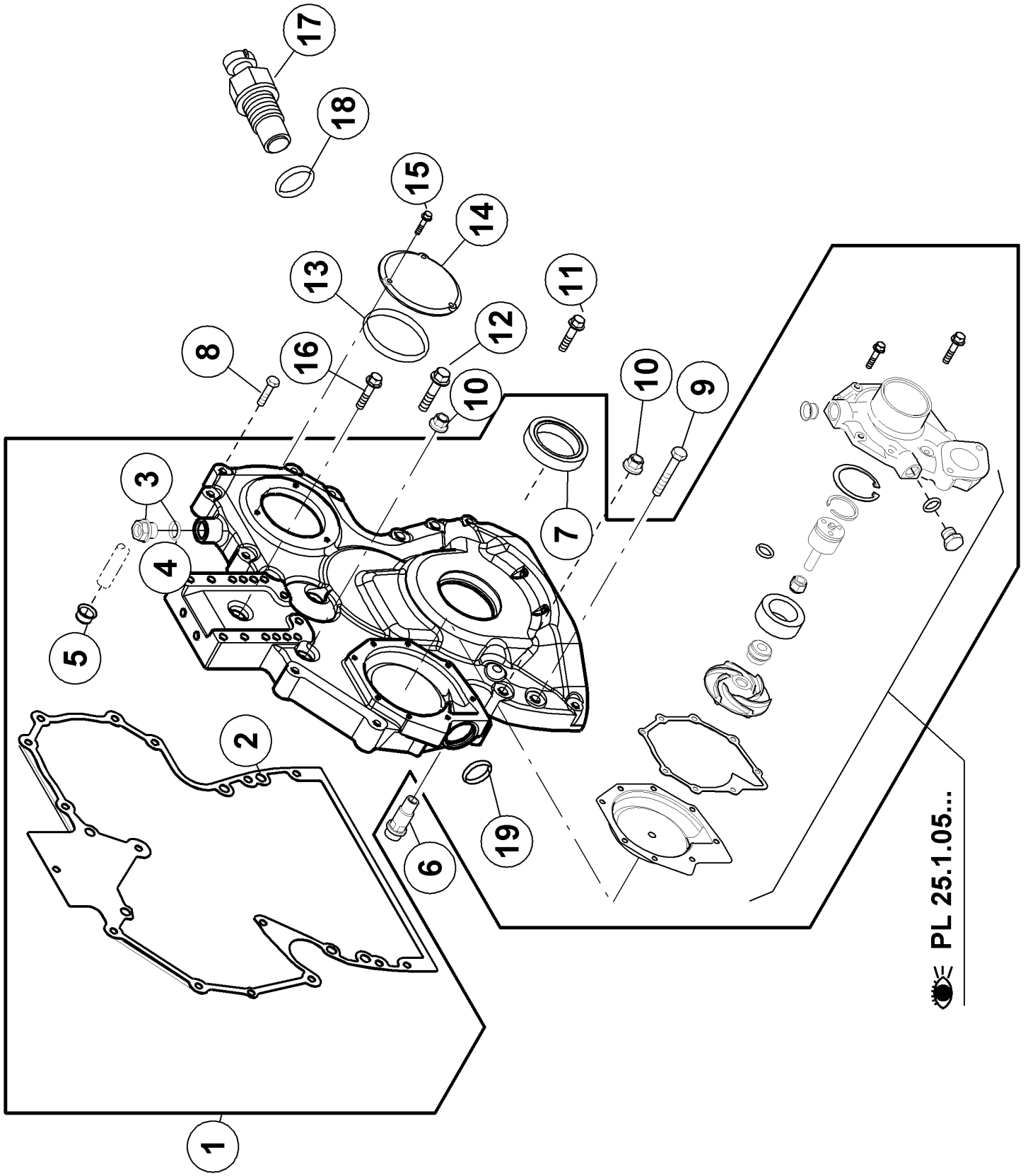
120 TIMING CASE 1)

Pos.	Part No.	Description	Dimension	Quantity	Conditions
1	FA-CONSIGN ES	Consignes - CS		1	
-		<i>Please order!</i> 00 1136 280 0 HOUSING		1,000	
2	60 0502 144 3	GASKET		1	
3	60 0502 895 5	SCREW PLUG	F-M20X1,5	1	
4	77 0002 464 6	O-RING	17X2-N ERS.D. 0238209.0	1	
5	60 0502 163 0	SEALING RING		1	
6	60 0502 869 1	VALVE		1	
7	60 0503 024 7	SEALING RING		1	
8	60 0502 144 5	SCREW	M8X45	6	
9	60 0502 145 8	SCREW		2	
10	60 0502 144 9	NUT		6	
11	60 0502 145 0	SCREW	M08X60	1	
12	60 0502 339 6	SCREW		1	
13	60 0502 144 6	O-RING		1	
14	60 0502 144 7	COVER		1	
15	60 0502 144 8	SCREW	M6X16	3	
16	60 0502 144 4	SCREW	M8X35	1	
17	77 0007 199 7	SENSOR		1	2)
18	77 0002 464 6	O-RING	17X2-N ERS.D. 0238209.0	1	
1)	Motor	6068TRT70 6068TRT71			up to CD6068G097378 up to CD6068G097378
2)	Remarks				vitesse mot.



120 TIMING CASE 1)

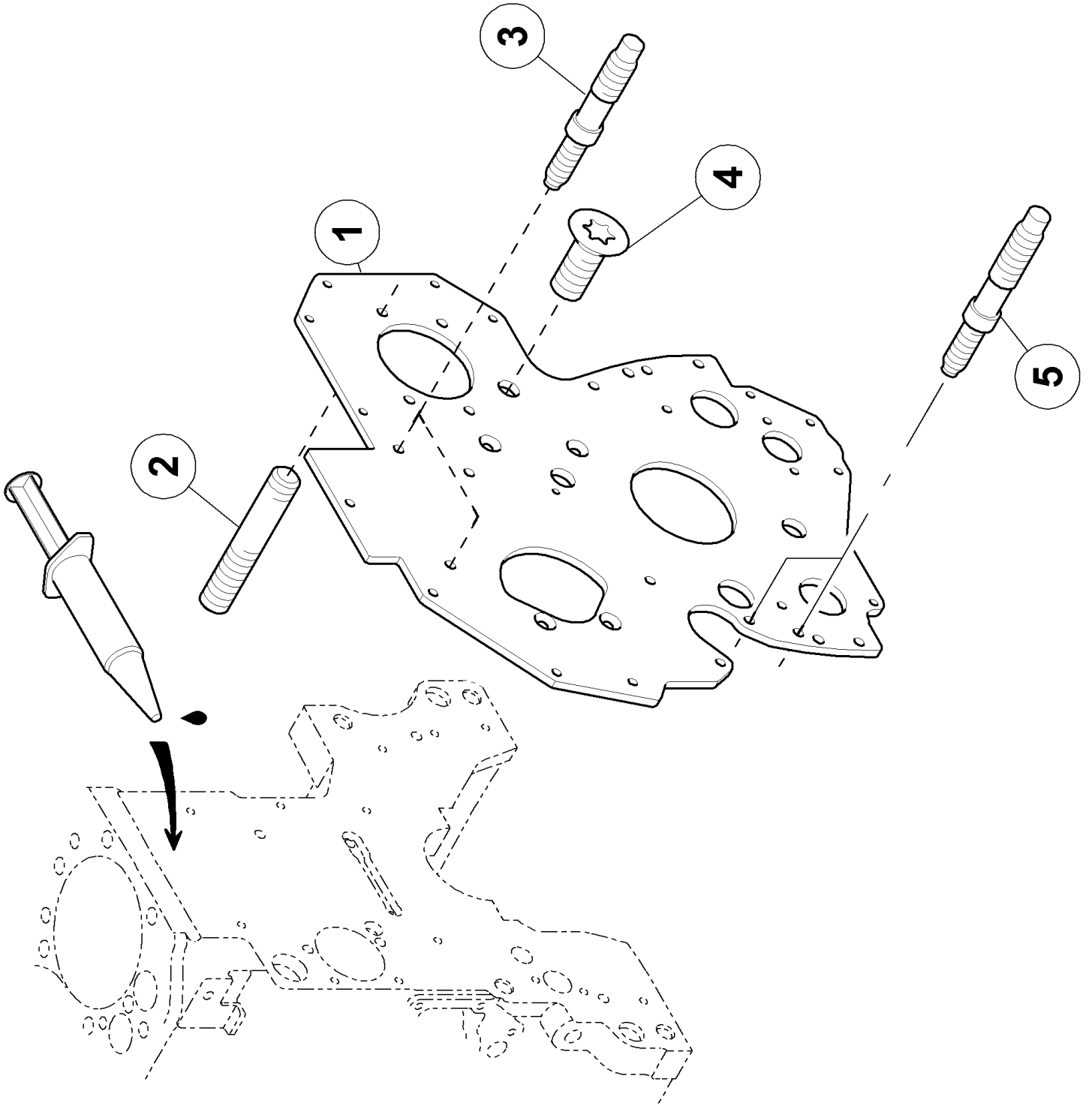
Pos.	Part No.	Description	Dimension	Quantity	Conditions
1	00 1171 392 0	PANEL		1	
2	60 0502 145 5	STUD BOLT		3	
3	60 0502 339 8	STUD BOLT		2	
4	60 0502 339 7	SCREW		4	
5	60 0502 145 7	STUD BOLT		4	
1)	Motor	6068TRT70 6068TRT71	up to CD6068G097378 up to CD6068G097378		



PL 25.1.05...

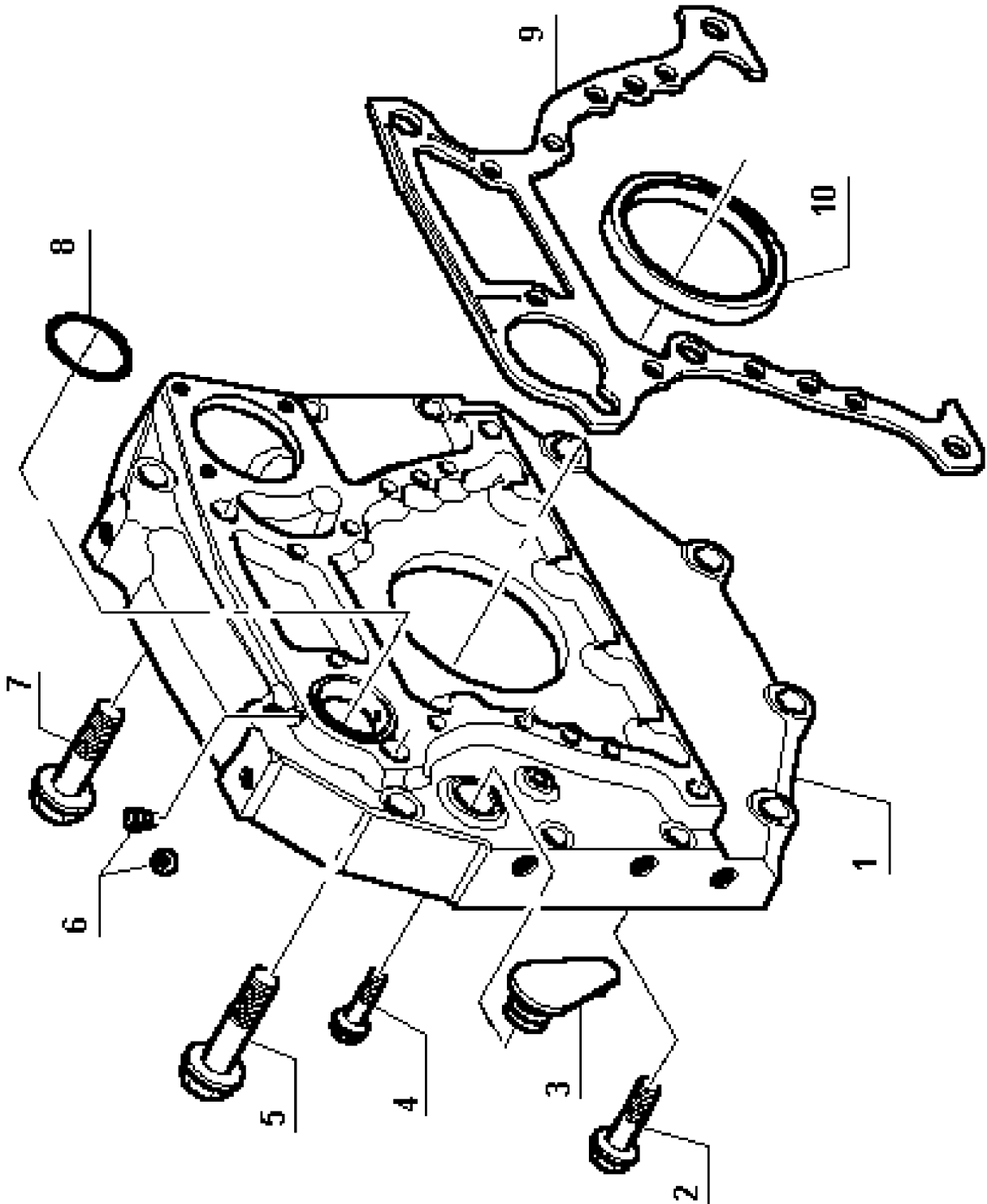
120 TIMING CASE 1)

Pos.	Part No.	Description	Dimension	Quantity	Conditions
1	00 1136 280 0	HOUSING		1	
2	00 1136 281 0	FLAT SEAL		1	
3	60 0502 895 5	SCREW PLUG	F-M20X1,5	1	
4	77 0002 464 6	O-RING	17X2-N ERS.D. 0238209.0	1	
5	60 0502 163 0	SEALING RING		1	
6	60 0502 869 1	VALVE		1	
7	60 0503 024 7	SEALING RING		1	
8	60 0502 144 5	SCREW	M8X45	6	
9	60 0502 145 8	SCREW		2	
10	60 0502 144 9	NUT		6	
11	60 0502 145 0	SCREW	M08X60	1	
12	60 0502 339 6	SCREW		1	
13	60 0502 144 6	O-RING		1	
14	60 0502 144 7	COVER		1	
15	60 0502 144 8	SCREW	M6X16	3	
16	60 0502 144 4	SCREW	M8X35	1	
17	77 0007 199 7	SENSOR		1	
18	77 0002 464 6	O-RING	17X2-N ERS.D. 0238209.0	1	
1)	Motor	6068TRT70 6068TRT71			from CD6068G097379 from CD6068G097379



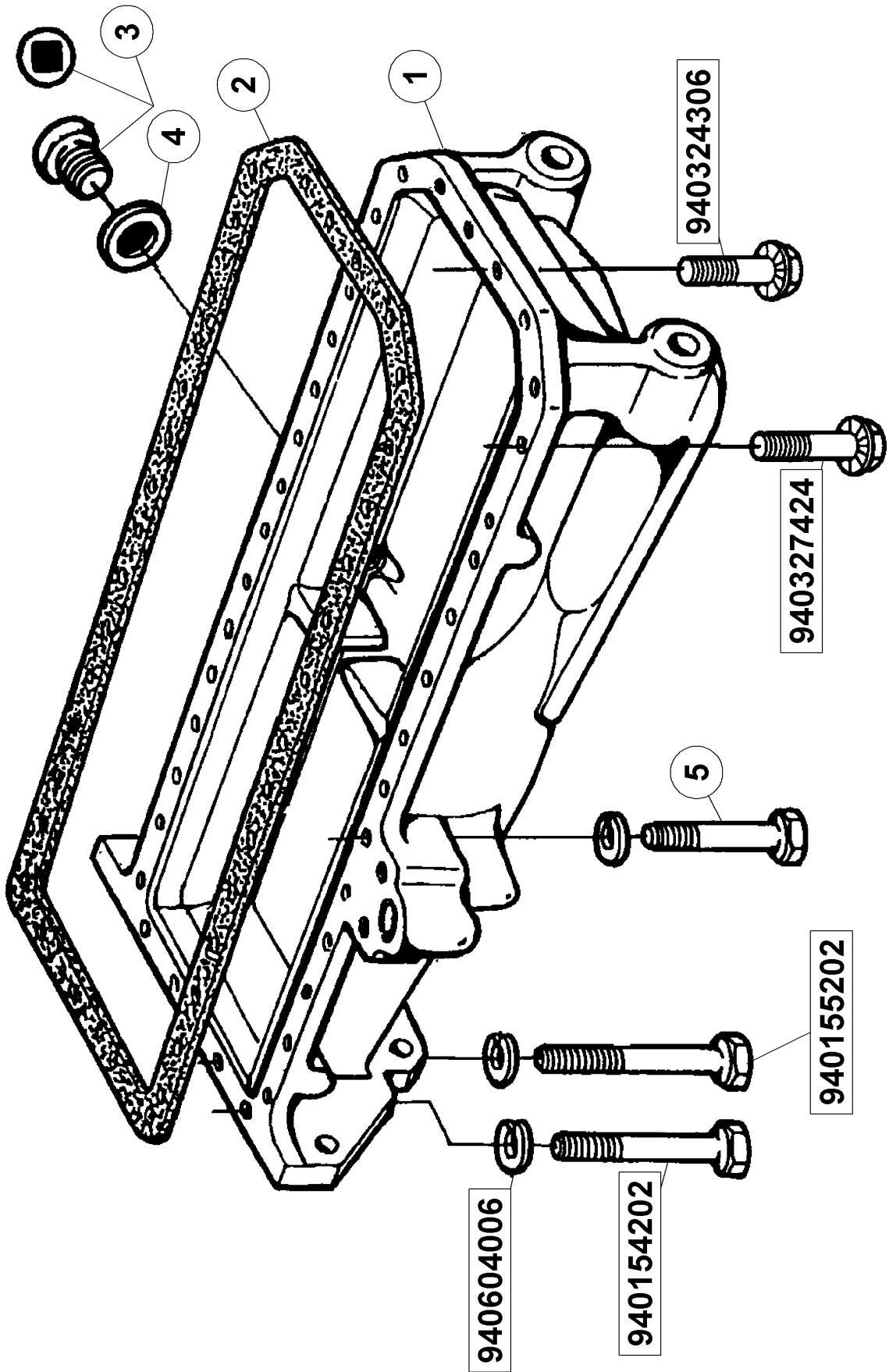
120 TIMING CASE 1)

Pos.	Part No.	Description	Dimension	Quantity	Conditions
1	00 1171 392 0	PANEL		1	
2	60 0502 145 5	STUD BOLT		3	
3	60 0502 339 8	STUD BOLT		2	
4	60 0502 339 7	SCREW		4	
5	60 0502 145 7	STUD BOLT		4	
1)	Motor	6068TRT70	from CD6068G097379		
		6068TRT71	from CD6068G097379		



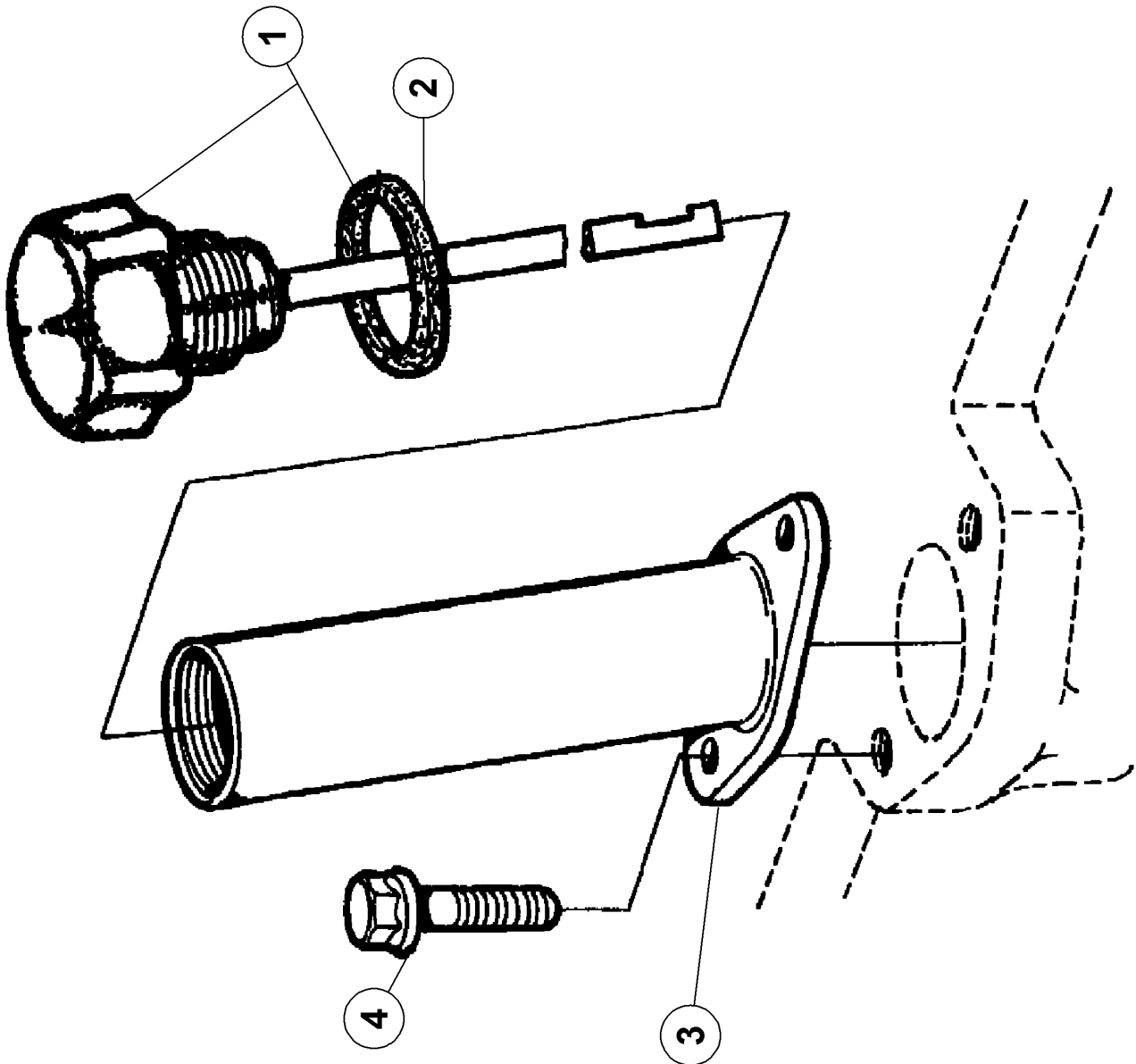
140 FLYWHEEL HOUSING

Pos.	Part No.	Description	Dimension	Quantity	Conditions
1	60 0502 665 6	HOUSING		1	
2	60 0502 777 3	SCREW	M16X60	2	
3	60 0501 611 6	BLANKING COVER		1	
4	60 0502 146 7	SCREW	M12X40	8	
5	60 0502 777 3	SCREW	M16X60	1	
6	60 0502 146 4	LOCK		1	
7	60 0502 146 5	SCREW		1	
8	60 0501 604 9	O-RING		1	
9	77 0005 577 1	GASKET		1	
10	60 0501 279 0	SHAFT SEAL	118X146X15	1	



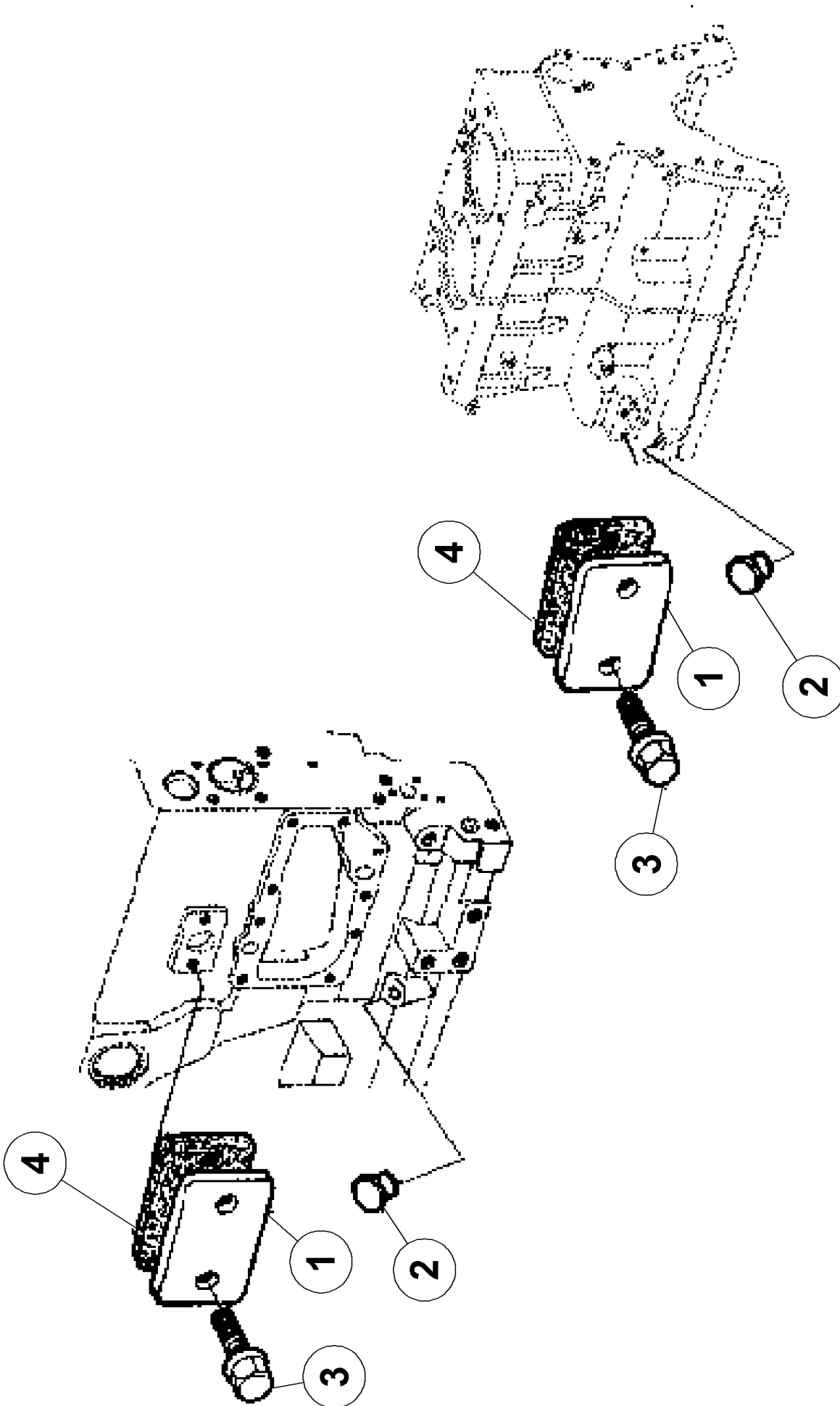
160 OIL PAN

Pos.	Part No.	Description	Dimension	Quantity	Conditions
1	60 0502 666 5	OIL SUMP		1	
2	60 0502 666 6	GASKET		1	
3	00 1132 240 0	PLUG		1	
4	60 0501 211 0	GASKET		1	
5	60 0502 147 1	SCREW		2	
94015 4202	77 0310 108 5	HEXAGON HEAD BOLT	M10X140-32	2	
94015 5202	77 0102 451 6	SCREW		2	
94032 4306	77 0101 759 2	SCREW	M08X35 VERBUS RIPP	6	
94032 7424	77 0001 434 0	SCREW	M10X35 - VERBUS RIPP	24	
94060 4006	77 0305 501 3	WASHER	10	6	



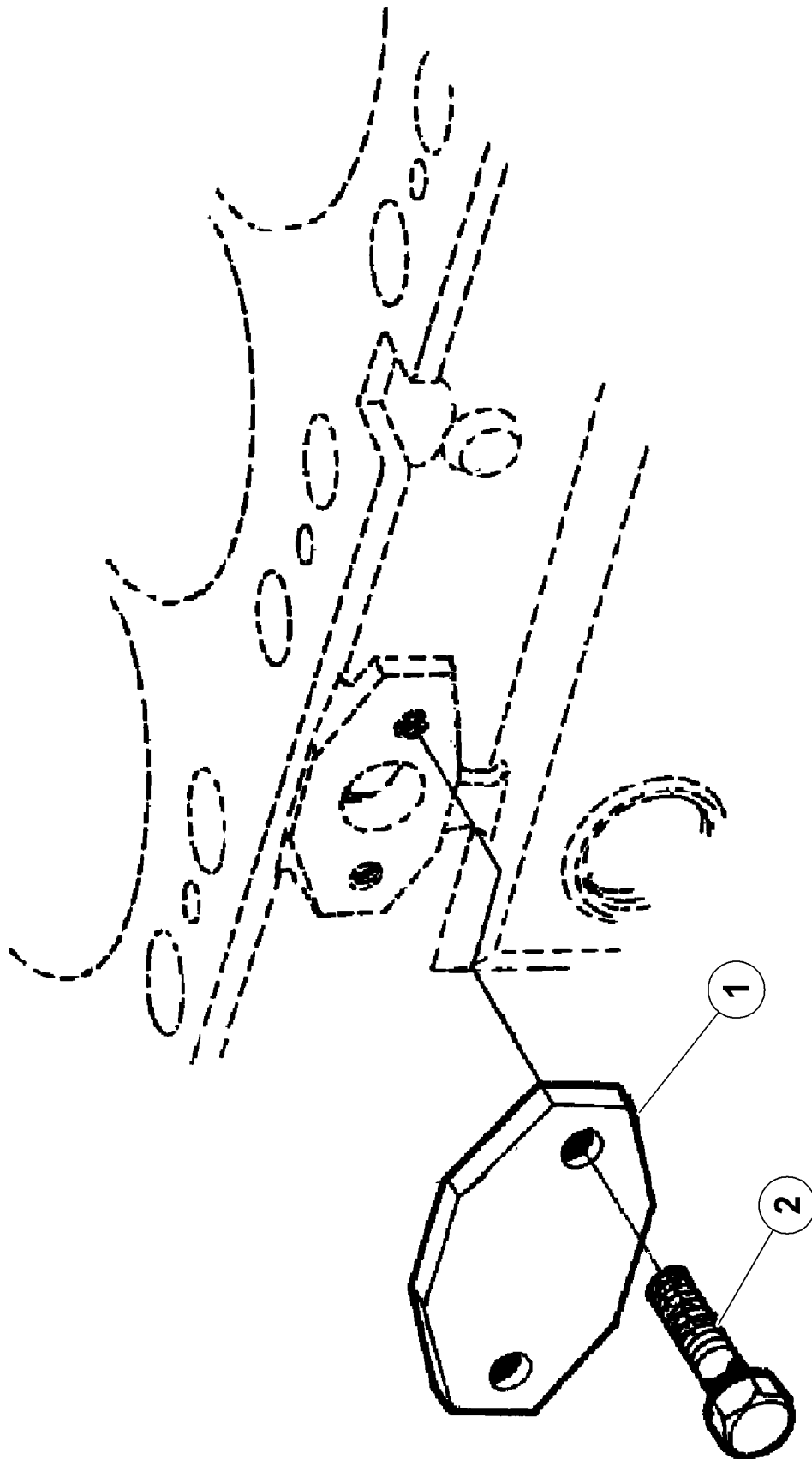
160 OIL PAN

Pos.	Part No.	Description	Dimension	Quantity	Conditions
1	60 0501 279 5	GAUGE		1	
2	60 0501 334 6	O-RING		1	
3	60 0501 279 4	TUBE		1	
4	60 0502 145 6	SCREW	M8X25	2	1)
1)	Remarks		M8x25		



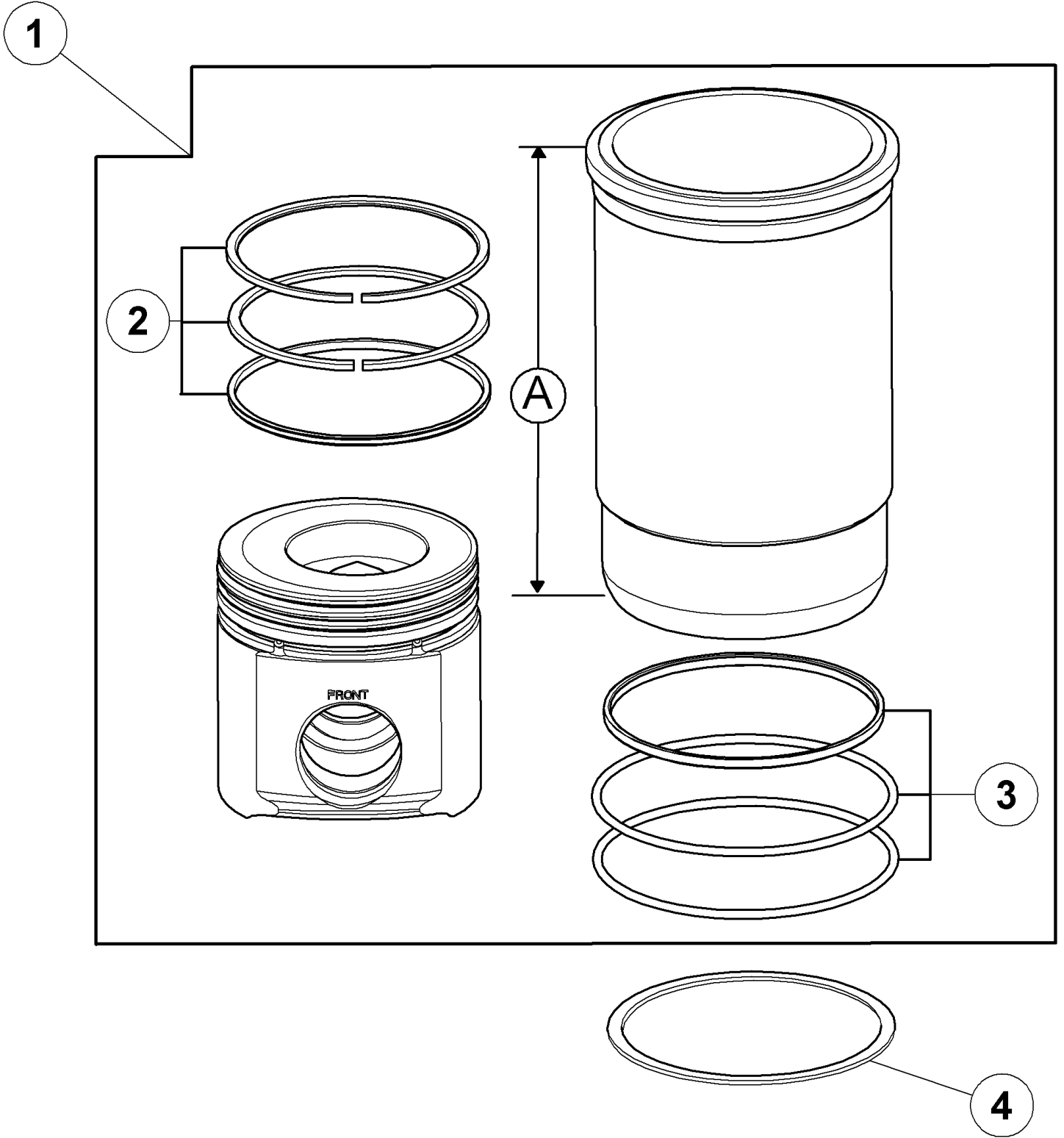
180 PLUGS

Pos.	Part No.	Description	Dimension	Quantity	Conditions
1	60 0502 470 2	PLATE		2	
2	60 0502 662 4	PLUG		2	
3	60 0502 149 8	SCREW	M8X20	4	
4	60 0502 470 4	GASKET		2	



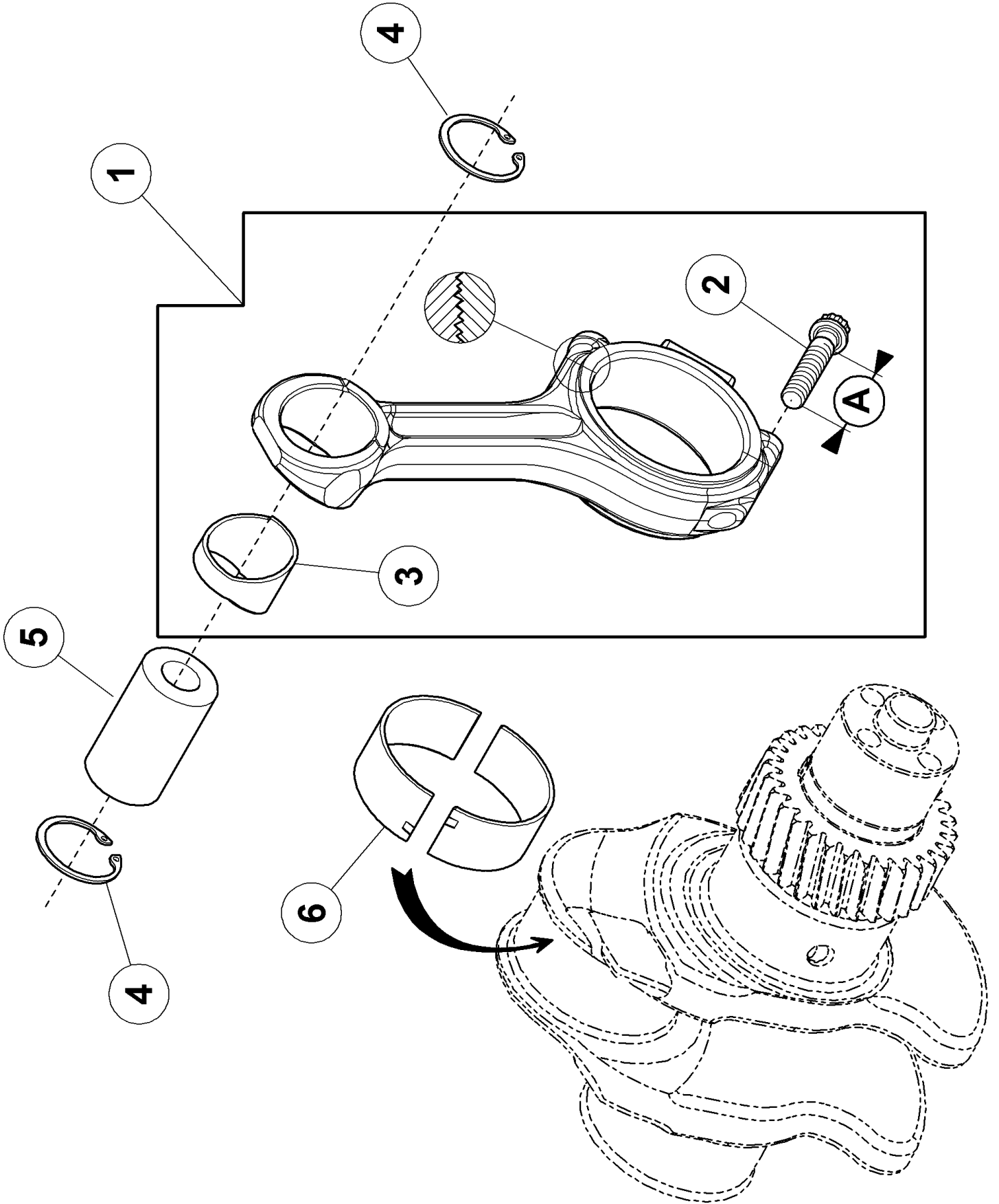
180 PLUGS

Pos.	Part No.	Description	Dimension	Quantity	Conditions
1	60 0502 662 2	PLATE		1	
2	60 0502 662 3	SCREW		2	



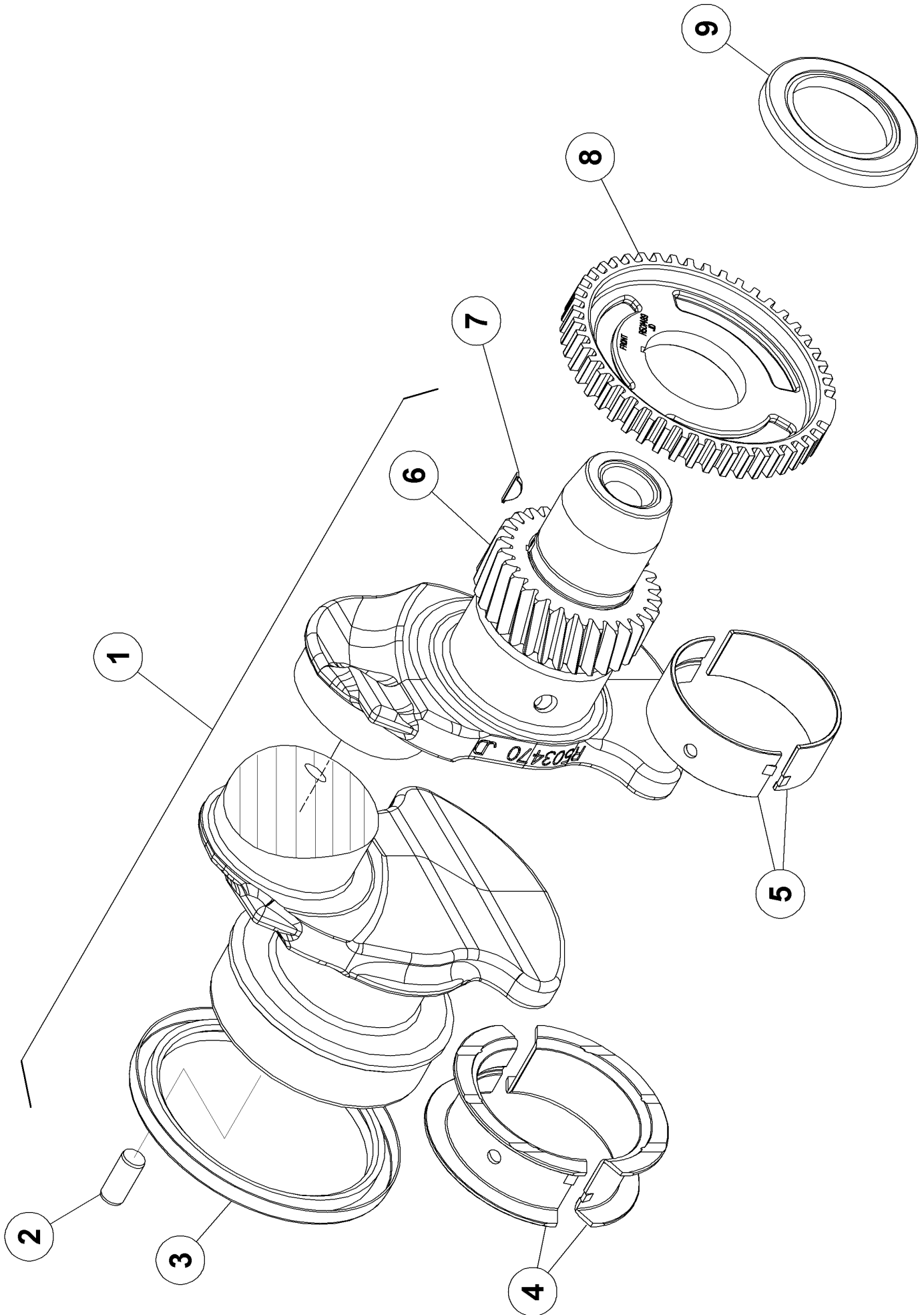
100 CYLINDER LINER, PISTON

Pos.	Part No.	Description	Dimension	Quantity	Conditions
1	60 0502 869 4	PISTON-LINER		6	
2	60 0502 869 5	SET OF PISTON RINGS		6	
3	60 0501 280 9	SEALING RING SET		6	
4	60 0501 281 5	ADJUSTING DISC		6	1)
4	60 0501 281 6	ADJUSTING DISC		6	2)
1)	Remarks		ép.0.05		
2)	Remarks		ép.0.10		



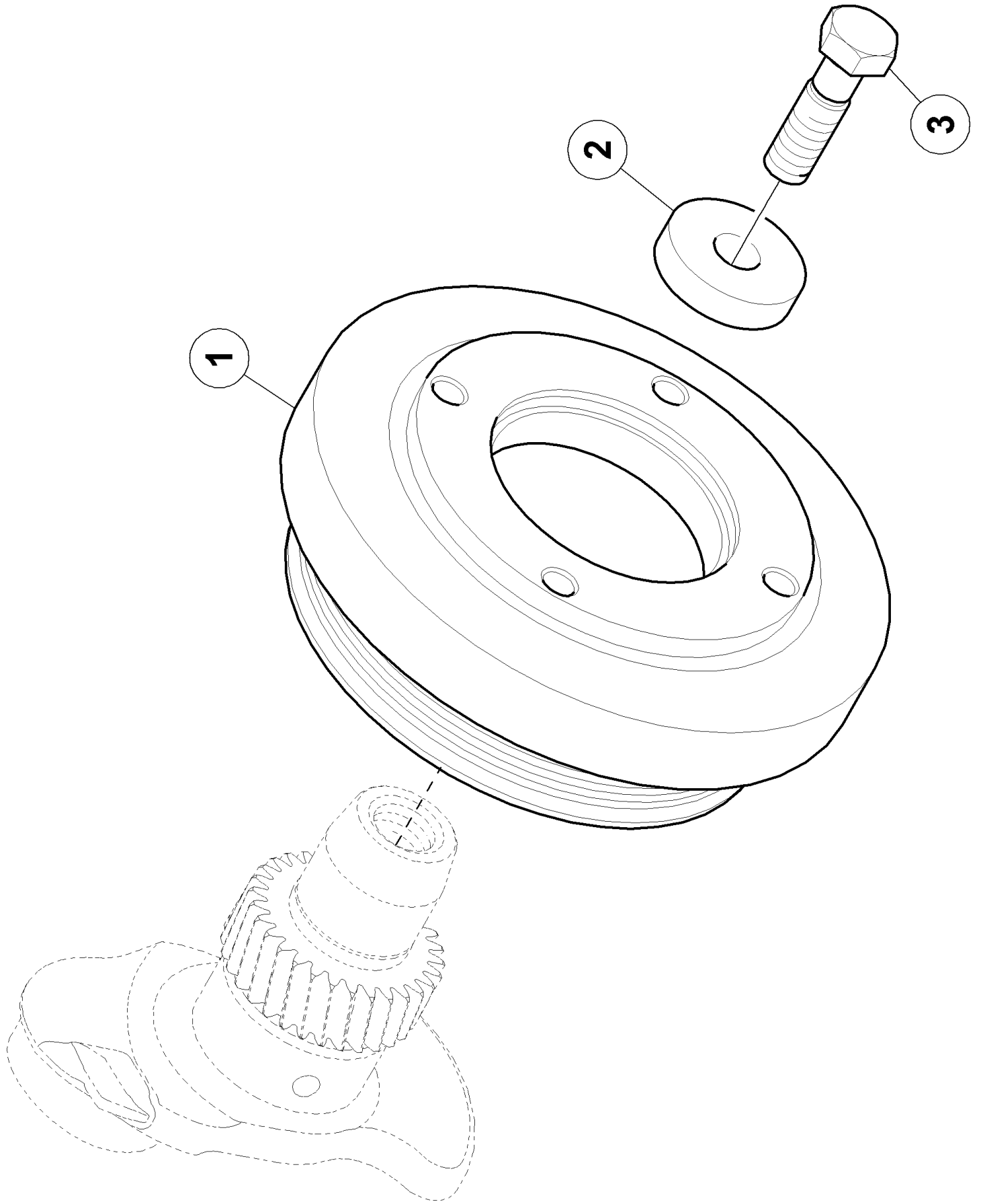
120 CONNECTING ROD, CONNECTING ROD BEARINGS

Pos.	Part No.	Description	Dimension	Quantity	Conditions
1	60 0502 453 6	CONNECTING ROD		6	
2	60 0502 453 7	SCREW	12 PTS M12 X 1,25 - 61	12	
3	60 0502 147 6	RING		6	
4	60 0501 281 4	INNER CIRCLIP		12	
5	60 0502 147 7	AXLE		6	
6	60 0502 147 8	BEARING		6	
6	60 0502 147 9	BEARING		6	1)
1)	Remarks		-0,254mm		



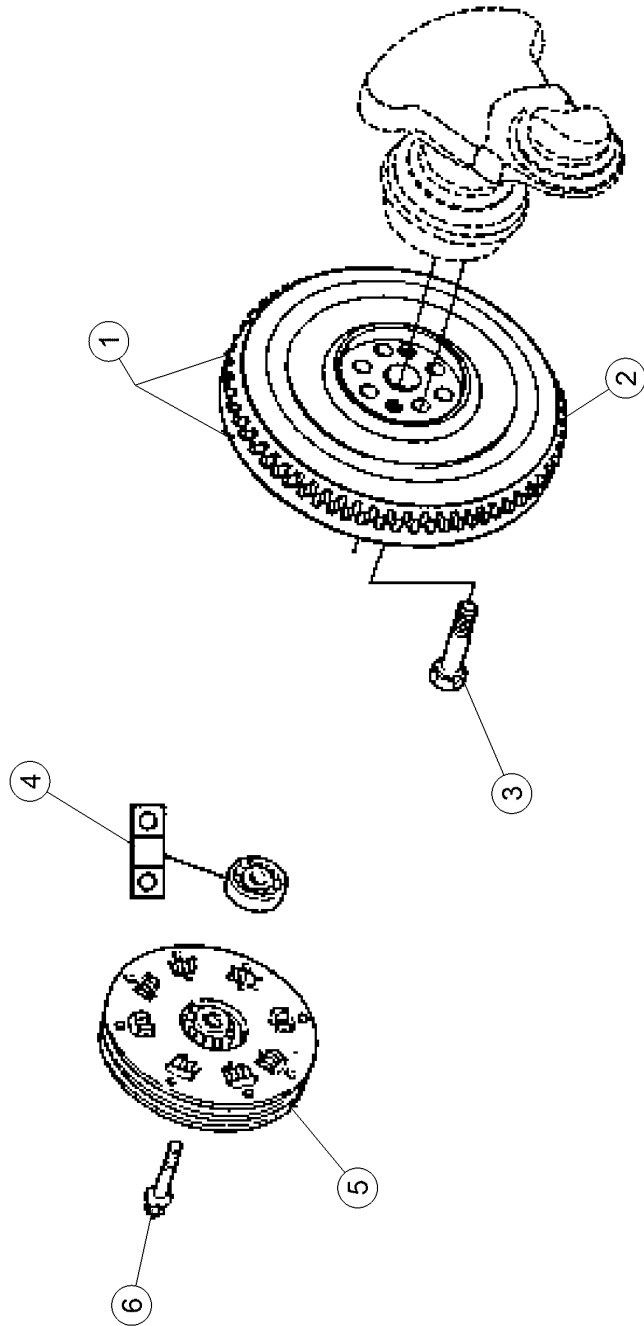
140 CRANKSHAFT

Pos.	Part No.	Description	Dimension	Quantity	Conditions
1	60 0502 869 6	CRANKSHAFT		1	
2	60 0501 317 4	CENTRING PIN		1	
3	60 0501 279 0	SHAFT SEAL	118X146X15	1	
4	60 0502 148 1	BEARING		1	
4	60 0502 148 2	BEARING		1	1)
5	60 0502 148 3	BEARING		6	
5	60 0502 148 4	BEARING		6	1)
6	60 0502 148 5	WHEEL		1	2)
7	60 0502 869 7	KEY		1	
8	00 1132 465 0	WHEEL		1	
9	60 0503 024 7	SEALING RING		1	
1)	Remarks			-0.254mm	
2)	Remarks			30 dts.	



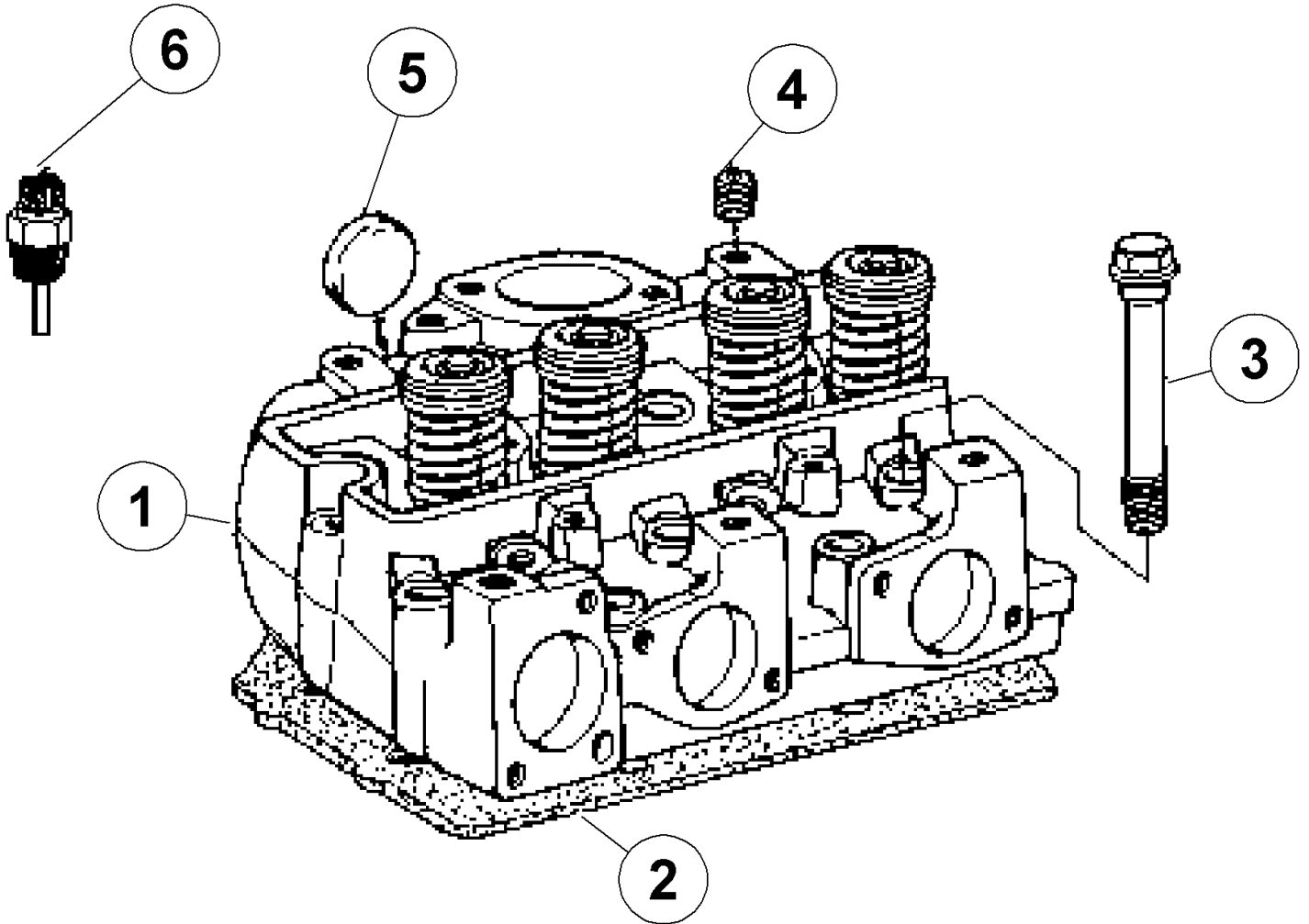
161 CRANKSHAFT PULLEY WHEEL

Pos.	Part No.	Description	Dimension	Quantity	Conditions
1	77 0006 623 2	ANTI-VIBRATION WHEEL		1	
2	60 0503 045 1	SPACER		1	
3	60 0502 866 8	SCREW	M20X70	1	



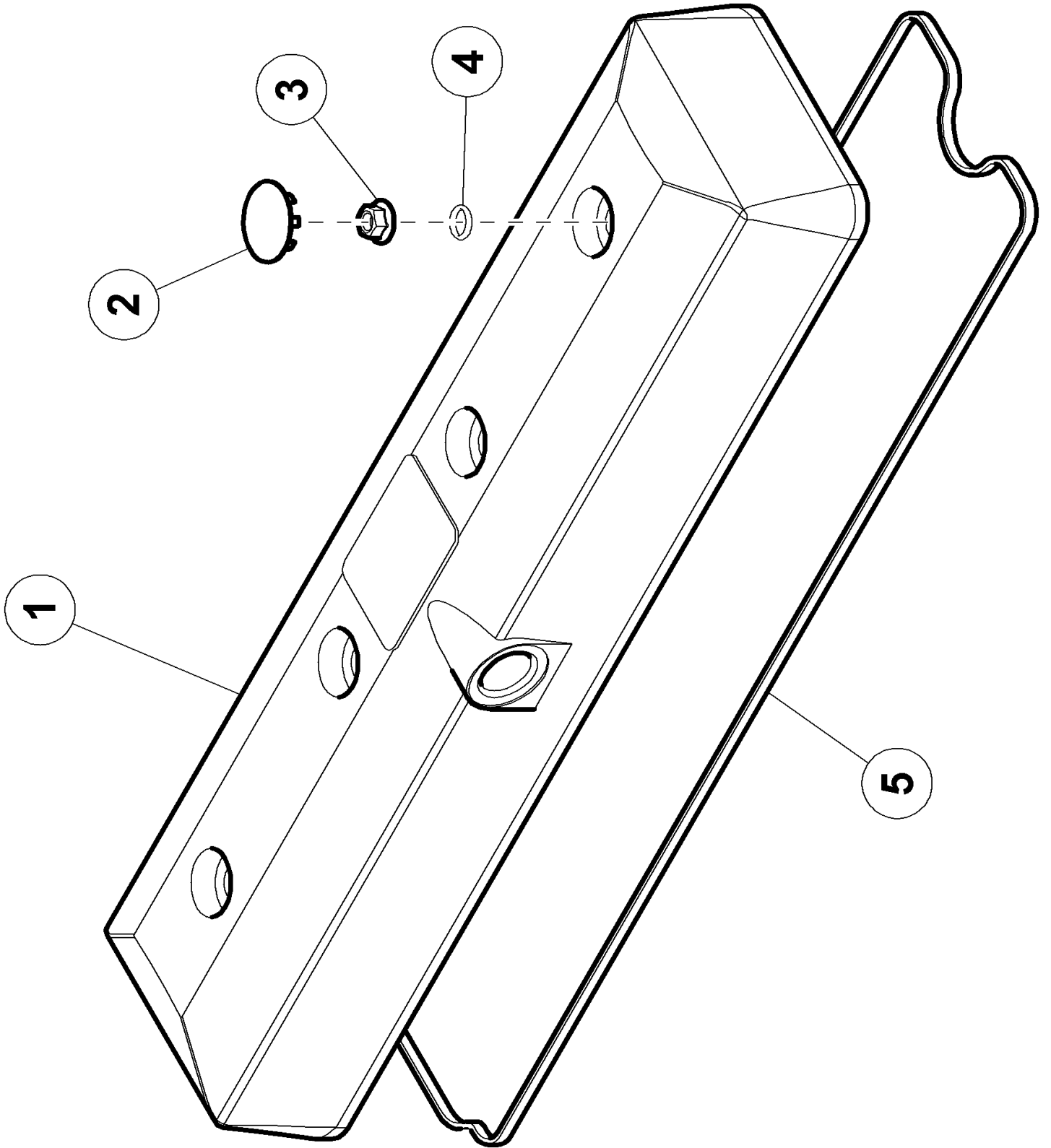
220 FLYWHEEL

Pos.	Part No.	Description	Dimension	Quantity	Conditions
1	77 0004 872 4	FLYWHEEL		1	
2	77 0004 531 5	TOOTHED RIM		1	
3	60 0502 625 8	SCREW	12 X 1,75 -37 - M12X40	6	
4	77 0103 068 6	BEARING-1 BALL	6305-2RS	1	1)
5	00 1111 394 0	HUB		1	
6	77 0005 997 8	HEXAGON HEAD BOLT	M10X40	8	2)
1)	Remarks	25X62X17			
2)	Remarks	H10X150-40EMB			



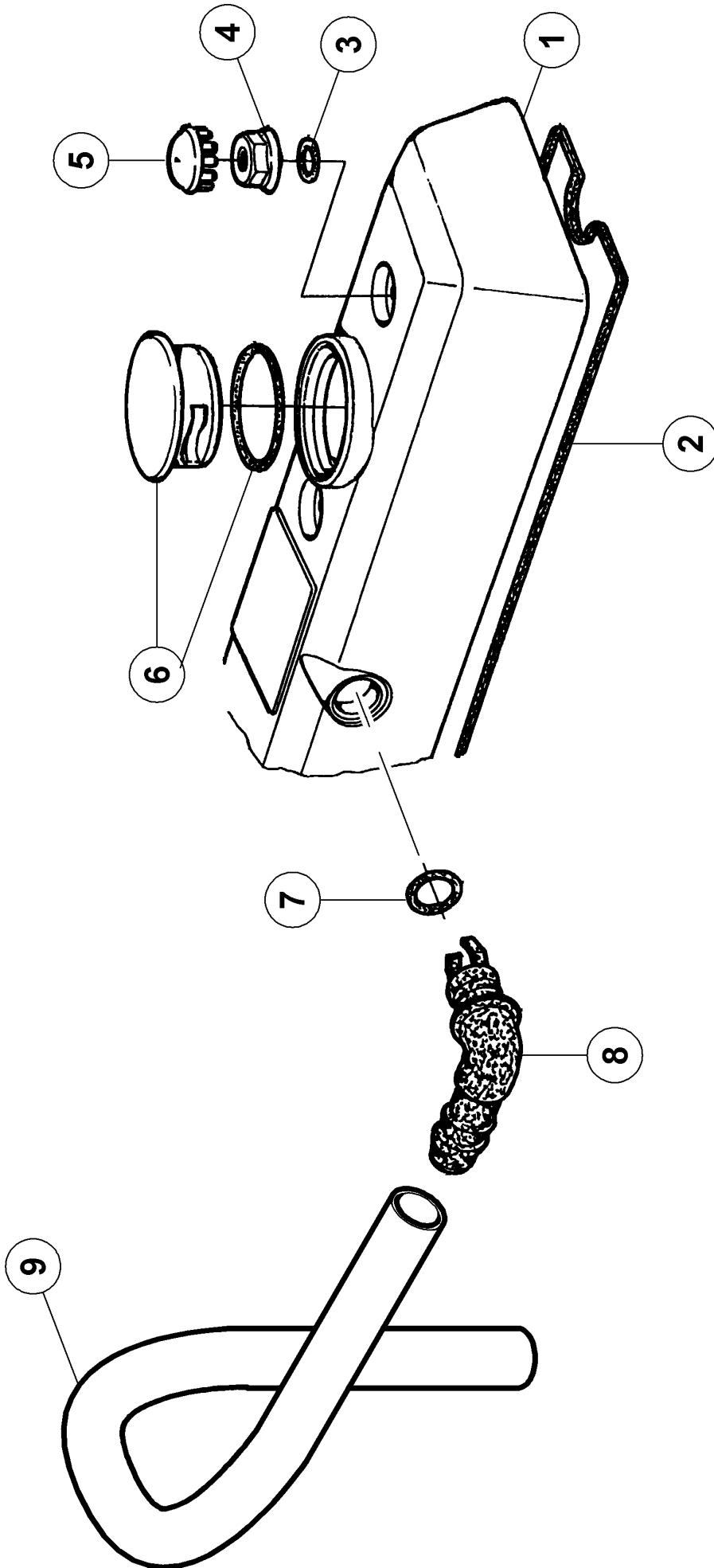
100 CYLINDER HEAD

Pos.	Part No.	Description	Dimension	Quantity	Conditions
1	60 0502 149 0	CYLINDER HEAD		1	
2	60 0502 149 1	CYLINDER HEAD GASKET		1	
3	60 0501 288 6	SCREW		26	
4	60 0502 144 0	LOCK		1	
5	60 0501 288 3	LOCK		1	1)
5	60 0502 149 2	PLUG		3	2)
6	60 0501 344 2	SENDER UNIT		1	
1)	Remarks		DI.32,6		
2)	Remarks		DI.43,4		



120 CYLINDER HEAD COVER

Pos.	Part No.	Description	Dimension	Quantity	Conditions
1	FA-CONSIGN ES	Consignes - CS		1	
2	60 0502 134 4	PLUG		6	
3	60 0502 149 4	FLANGE NUT		6	
4	60 0502 134 7	O-RING	W.ERS. D. 0219 147.0	6	
5	00 1136 737 0	SEALING RING		1	





Suggest:

For more complete manuals. Please go to the home page.

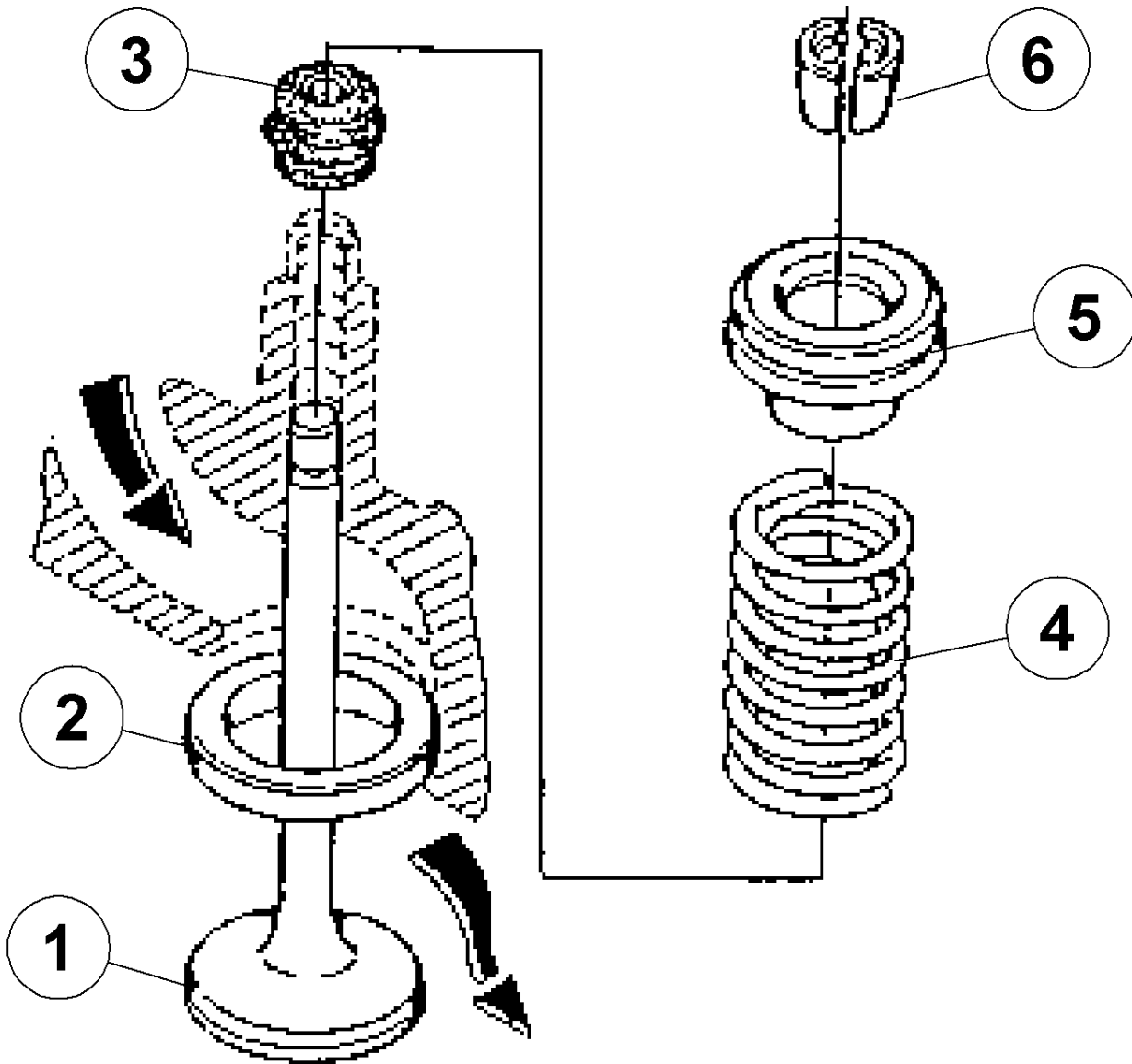
<https://www.ebooklibonline.com>

If the above button click is invalid. Please download this document first, and then click the above link to download the complete manual.

Thank you so much for reading

120 CYLINDER HEAD COVER

Pos.	Part No.	Description	Dimension	Quantity	Conditions
1	60 0502 149 3	ROCKER COVER		1	
-		<i>Please order additionally!</i>			
	60 0502 149 5	LOCK		1,000	
2	00 1136 737 0	SEALING RING		1	
3	60 0502 134 7	O-RING	W.ERS. D. 0219 147.0	6	
4	60 0502 149 4	FLANGE NUT		6	
5	60 0502 134 4	PLUG		6	
6	60 0502 149 5	LOCK		1	
7	60 0500 901 5	O-RING		1	
8	60 0503 026 5	SCREWING		1	1)
9	60 0503 048 0	HOSE		1	
1)	Remarks		90°		



140 VALVES

Pos.	Part No.	Description	Dimension	Quantity	Conditions
1	60 0501 290 8	ENGINE VALVE		6	
1	60 0501 290 9	ENGINE VALVE		6	1)
2	60 0501 291 0	VALVE SEAT		6	
3	60 0501 291 1	SEALING RING		6	
4	60 0501 291 3	SPRING		6	
5	60 0501 291 4	RETAINER		6	
6	60 0501 291 5	HALF-CONE		12	
1)	Remarks		+0,38mm		

<https://www.ebooklibonline.com>

Hello dear friend!

Thank you very much for reading.

Enter the link into your browser.

The full manual is available for immediate download.

<https://www.ebooklibonline.com>